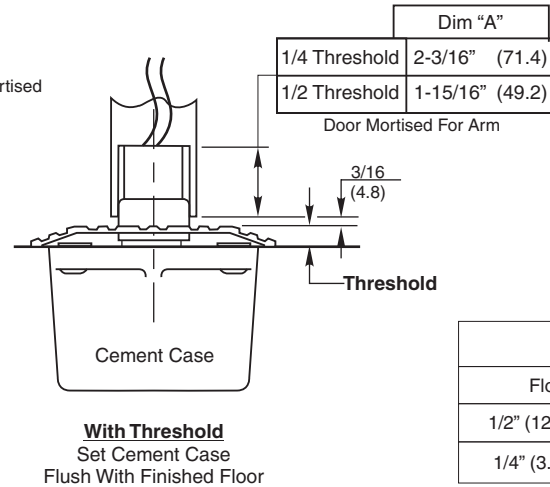
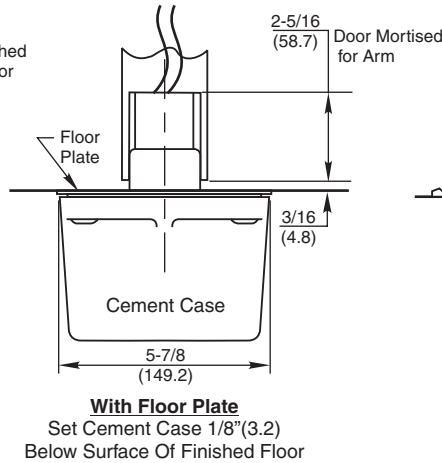
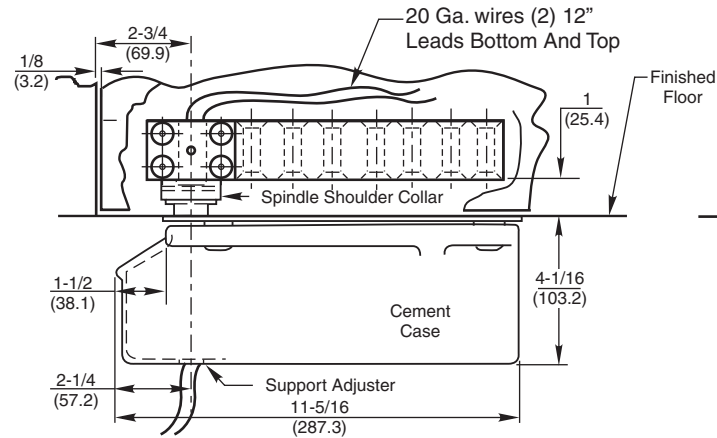
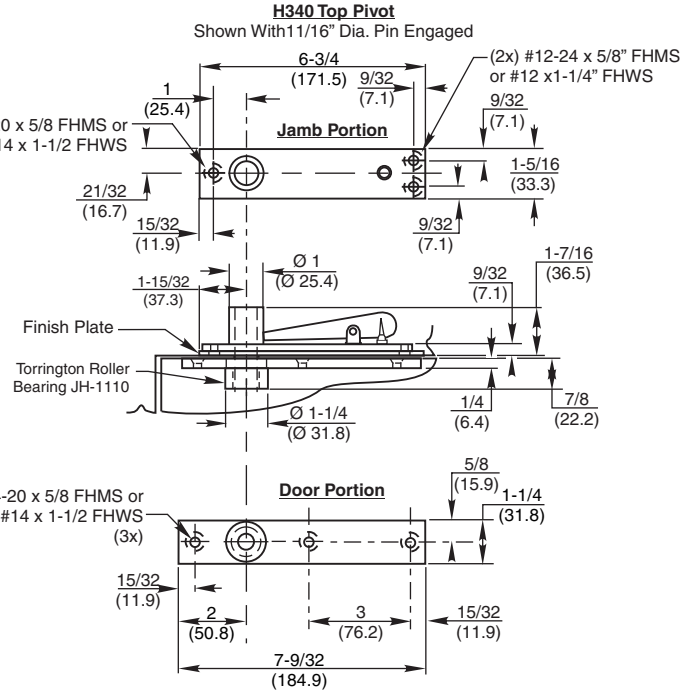
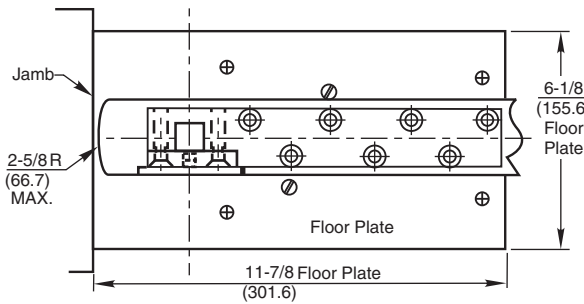
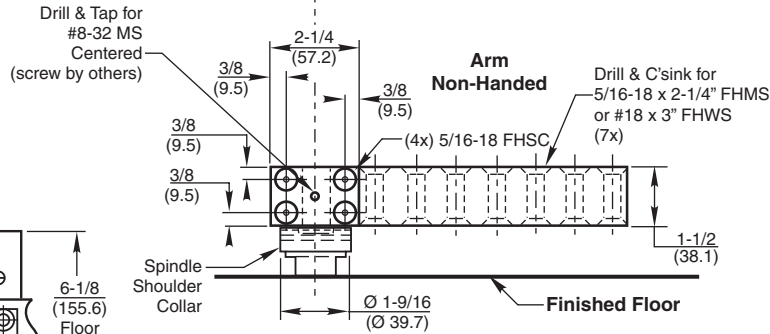
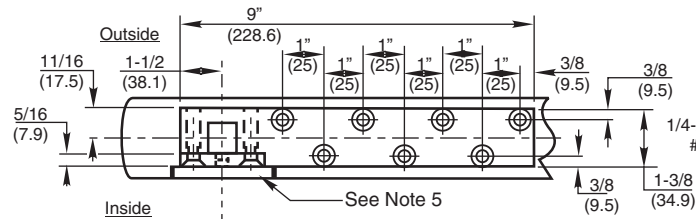


NOTES:

1. Do not scale drawing.
2. Suitable reinforcing by others.
3. Rixson design threshold available on request.
4. For wood doors pre-drill arm and top pivot holes to prevent splitting.
5. Door must have removable panel (by others) for access to arm screws. Removable panel must be on inside of door and go from top of arm to bottom of door.
6. All dimension given in inch (mm).



Dim "A"	
1/4 Threshold	2-3/16" (71.4)
1/2 Threshold	1-15/16" (49.2)
Door Mortised For Arm	

Maximum Door Clearance	
Floor Plate	1" (25.4)
1/2" (12.7) Threshold	5/8" (15.9)
1/4" (3.4) Threshold	7/8" (22.2)

Floor Closer EH28 x 587 Arm Center Hung, Heavy Duty For 1-3/4" (44.5) Thick Door or When Moving Pivot

RIXSON®
ASSA ABLOY

www.rixson.com

TEMPLATE NUMBER

CH20655

DATE

08-15