

Notes:

1. Do not scale drawing.
2. A door closing mechanism with a minimum force of 3 lbs. pull at the FM973U release latch unit is required for positive operation of unit.
3. Anchorage to supporting wall should be capable of withstanding a 300 lb. pull.
4. Factory mutual approved for Class 1, Division 2 locations.
5. FM973U has a 75 lb. maximum holding force.
6. Power requirements: 12VDC, 24VDC, 24VAC, 120VAC:

12 VDC	.08 amps
24 VDC	.08 amps
24 VAC	.150 amps
120 VAC	.150 amps
7. All mounting preparation to be done by others.
8. All dimensions given in inches.

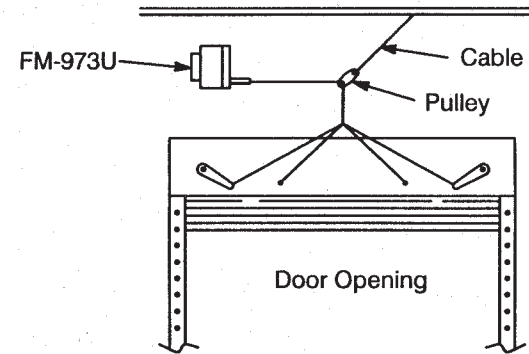


Figure 1. Rolling steel fire door shown above. The FM-973U is adaptable to many other doors or shutters through the use of various linkage systems.

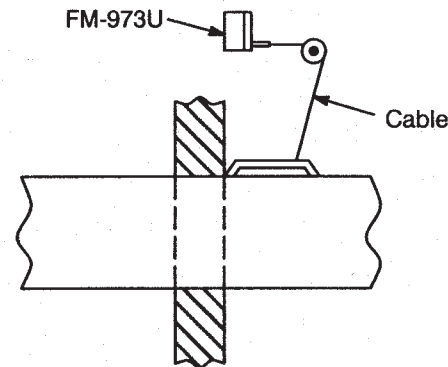


Figure 2. Hinged fire door for duct passing through opening in fire wall.

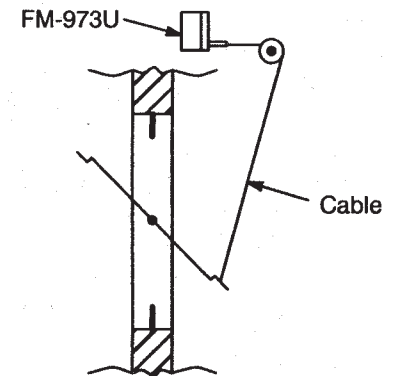


Figure 3. Center pivoted self-closing window.

FM972U and FM973U Door Release Overhead/Rolling Door and Special Door Application

RIXSON®

ASSA ABLOY

www.rixson.com

TEMPLATE NUMBER

DR100020

DATE

02-09