

Notes:

1. Do not scale drawing.
2. A door closing mechanism with a minimum closing of 3 pounds pull at the FM973H unit is required for positive release of unit.
3. Anchorage to supporting wall should be capable of withstanding a 300 pound pull.
4. Power requirements: 12 VDC, 24 VDC, 24 VAC, 120 VAC.

12 VDC	.08 amps
24 VDC	.08 amps
24 VAC	.150 amps
120 VAC	.150 amps
5. 0° to 180° Hold Open Positions.
6. All dimensions given in inches.

FM972H and FM973H Door Release Swinging Door Application

RIXSON®

ASSA ABLOY

www.rixson.com

TEMPLATE NUMBER

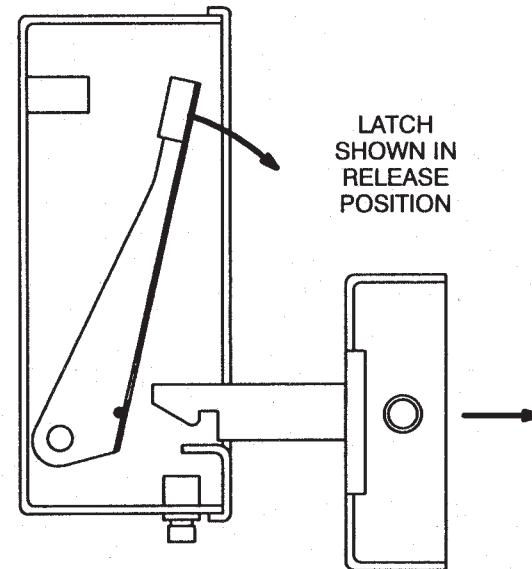
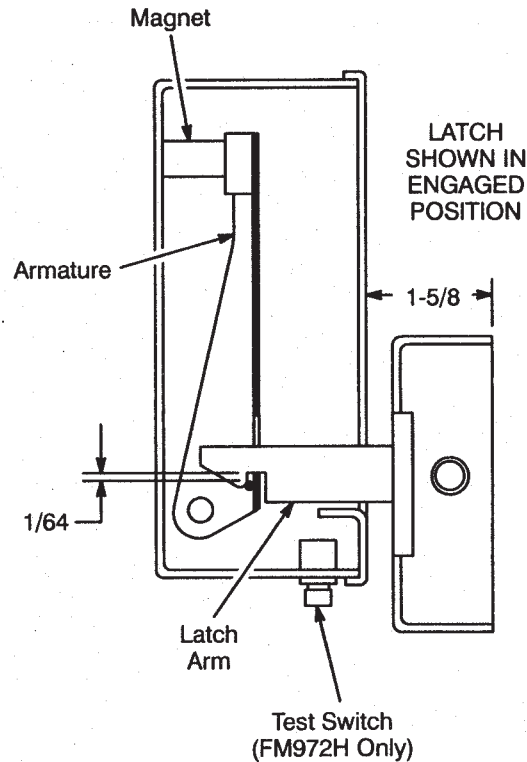
DATE

DR100000A

02-09

Installation Instructions

1. Check existing power supply rating against rated voltage on unit. Voltage specifications label located inside of unit in the box cover.
2. Remove front covers from both "Main" and "Latch" units.
3. Securely bolt "U" bracket to wall. Top of "U" bracket should be flush with top edge of door. Locate "U" bracket so that holder will be approximately 6" from edge of door. **IMPORTANT:** Holder must be a minimum of 28" from pivot point of door.
 - Use four (4) #20 x 2" lag screws and lockwashers for installation into wood backing.
 - Use two (2) #20 x 2" lag screws, lockwashers and rawl plugs for installation into masonry walls. Drill 3/8" diameter holes for rawl plugs provided.
 - Use two (2) 5/16-18 x 3/4" machine screws and lockwashers for metal mounting. Drill and tap 5/16-18 holes.
4. Place the main unit in the "U" bracket and fasten using two (2) 1/4-28 x 1/2" hex head machine screws and lockwashers. (For FM972H Only: Test switch is on the bottom of the unit.) Open door so that face of door and face of main unit are 1-5/8" apart. Align main unit parallel to door.
5. Secure latch unit to door using two (2) 5/16 x 2-1/4" step bolts, flat washers and lockwashers. Adjust latch unit for the following:
 - a. 1/64" vertical clearance between latch unit and catch on armature. (See illustration.)
 - b. Latch arm must clear sides of box cover opening as door swings to closed position.
6. Secure all screws and bolts. Replace covers.



Notes:

1. Do not scale drawing.
2. Maximum holding force: 75 lbs.
3. **FM973H Unit: Factory mutual approved for Class 1, Division 2 locations.**
4. Power requirements: 12 VDC, 24 VDC, 24 VAC, 120 VAC.
5. 0° to 180° hold open positions.
6. All dimensions given in inches.

FM972H and FM973H Door Release Swinging Door Application Installation Instructions

RIXSON

ASSA ABLOY

www.rixson.com

TEMPLATE NUMBER

DATE

DR100000B

02-09