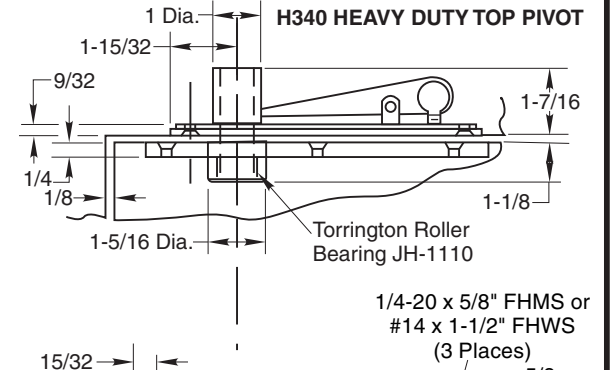
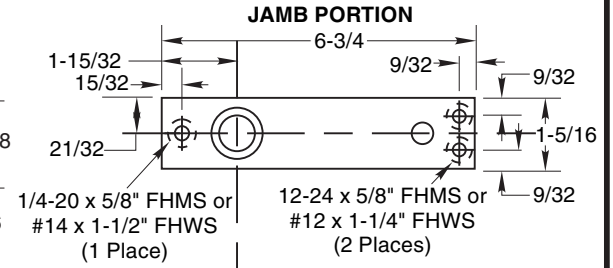
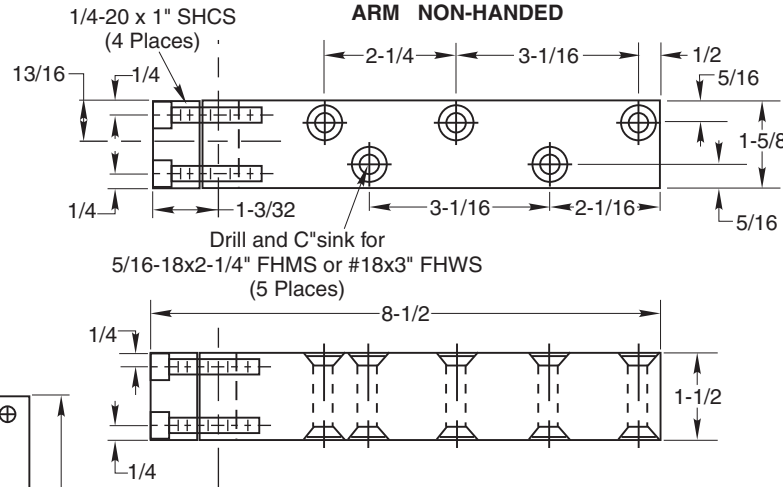
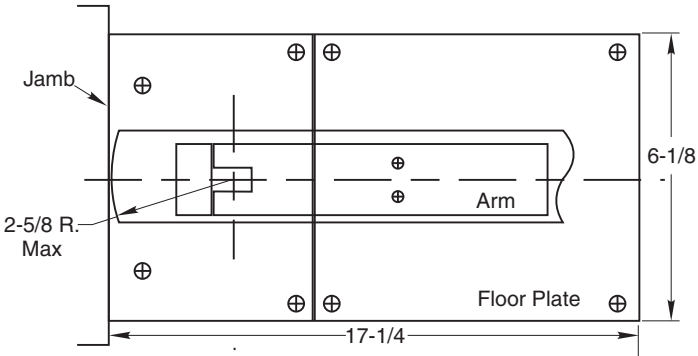
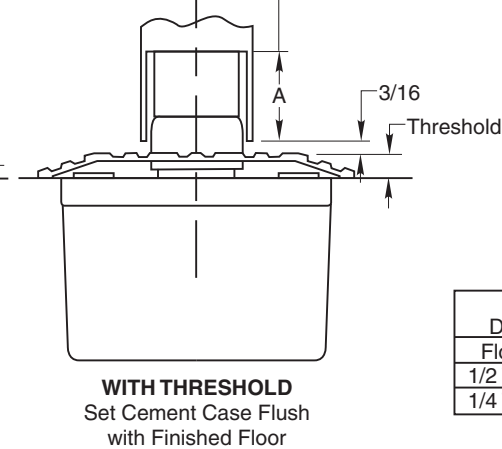
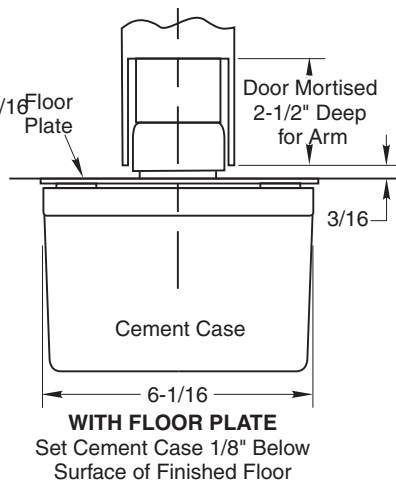
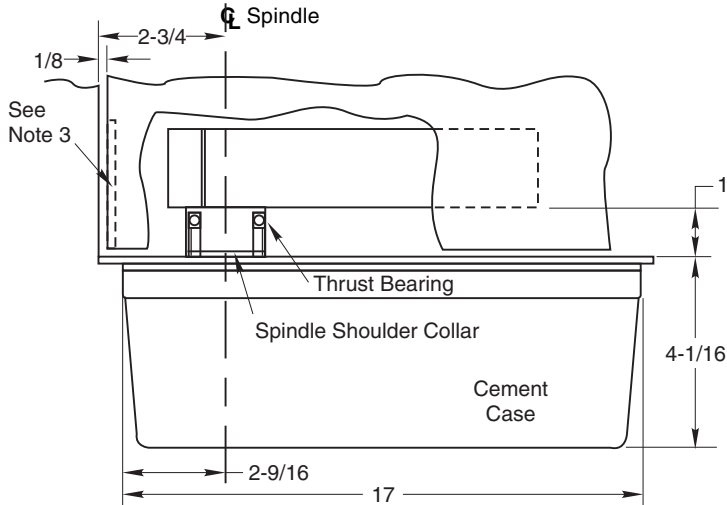
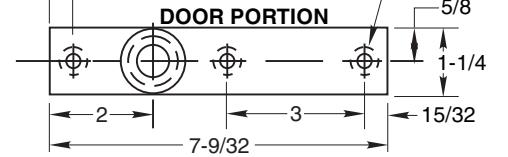


Notes:

1. Do not scale drawing.
2. Suitable reinforcing by others.
3. Door must have removable heel to allow tightening of arm by others.
4. Rixson design threshold available on request.
5. This template is for a 2" thick door or larger. For 1-3/4" thick door use template CH20312.
6. For wood doors pre-drill arm and top pivot holes to prevent splitting.
7. Heavy duty top pivot with 11/16" dia. pin shown engaged.
8. All dimensions given in inches.
Metric conversion= 25.4 x inch.
9. Auxiliary stop required.



Door Mortised Deep for Arm	"A"
1/4 Threshold	2-1/4
1/2 Threshold	2



Maximum Door Clearance	
Floor Plate	1
1/2 Threshold	13/16
1/4 Threshold	1-1/16

**H40 Floor Closer
Double Acting, Center Hung
For Heavy or Lead Lined Minimum 2" Thick Doors**

RIXSON®
ASSA ABLOY
www.rixson.com

TEMPLATE NUMBER	DATE
CH20310	02-09