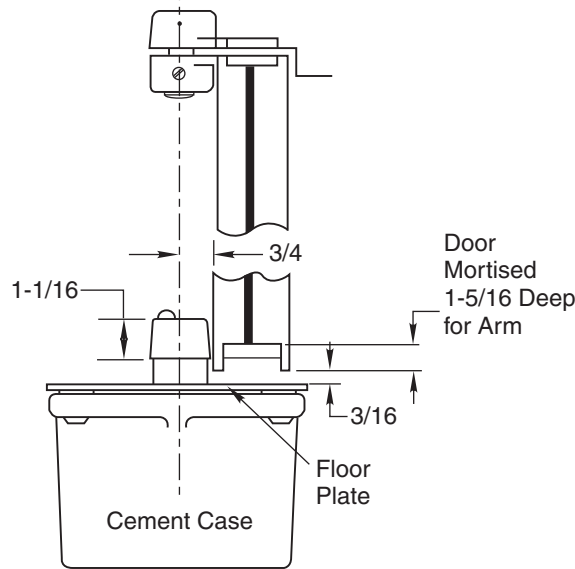
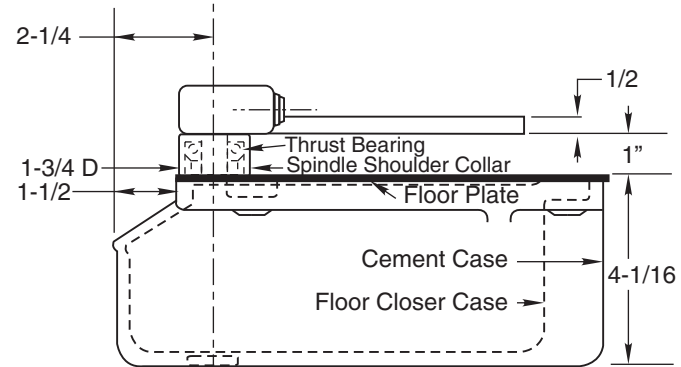
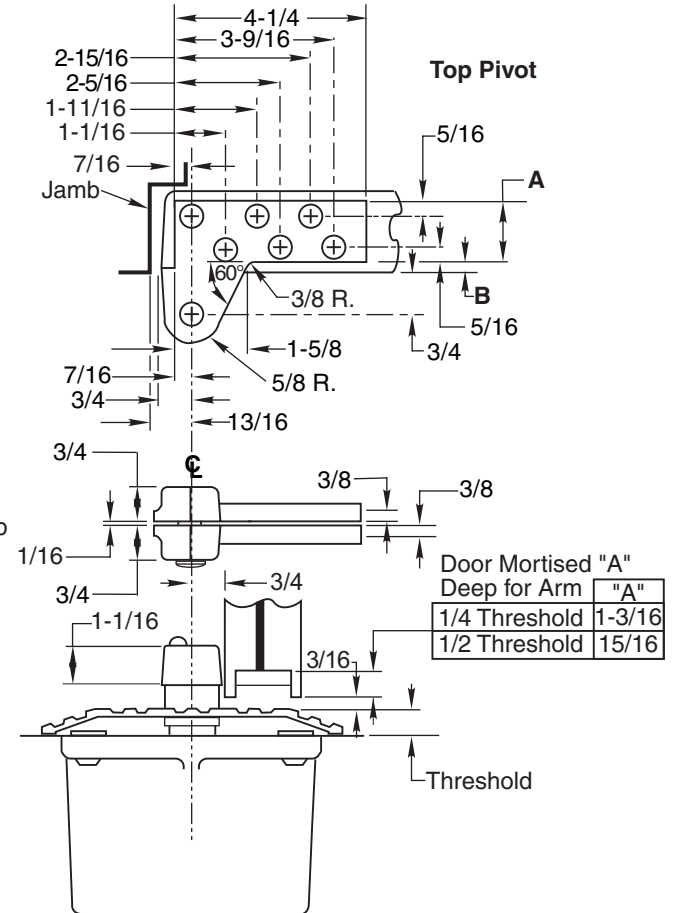


Door Size	A	B	Max. Lead Thk.
1-3/4	1-1/4	1/4	9/32-7.14mm
2"	1-3/8	5/16	3/8-9.52mm
2-1/4	1-1/2	3/8	15/32-11.90mm
2-1/2	1-5/8	7/16	9/16-14.28mm
3"	2"	1/2	3/4-19.05mm

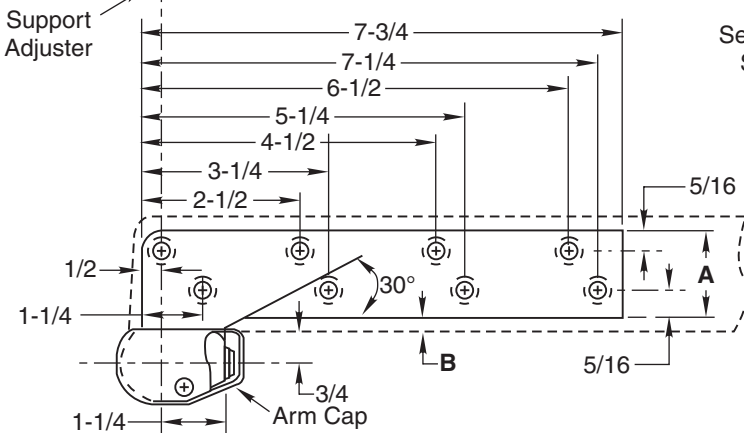
Table based on lead placed in center of door.



WITH FLOOR PLATE
Set Cement Case 1/8" Below Surface of Finished Floor



WITH THRESHOLD
Set Cement Case Flush with Finished Floor



Note:

1. Do not scale drawing.
2. Right Hand Shown
3. Dimensions given in inches. Conversion from inches to metric: inch x 25.4
4. Bottom arm drilled to receive 1/4-20 x 1" FHMS or #14 x 2" FHWS. Top arm and pivot leaf drilled to receive 1/4-20 x 5/8" FHMS or #14 x 2" FHWS.
5. For Wood Doors: Pre-drill arm and top pivot holes to prevent splitting.
6. If vertical adjustment is required two 1/16" shims are provided. Place shims between arm and spindle shoulder collar.
7. Max degree of opening, trim permitting, is 105°. Suitable reinforcing by others. Leadlining by others.

L27 and L27-180 Heavy Duty Floor Closers
3/4" Offset

RIXSON®

ASSA ABLOY

www.rixson.com

TEMPLATE NUMBER

OS10080

DATE

10-12