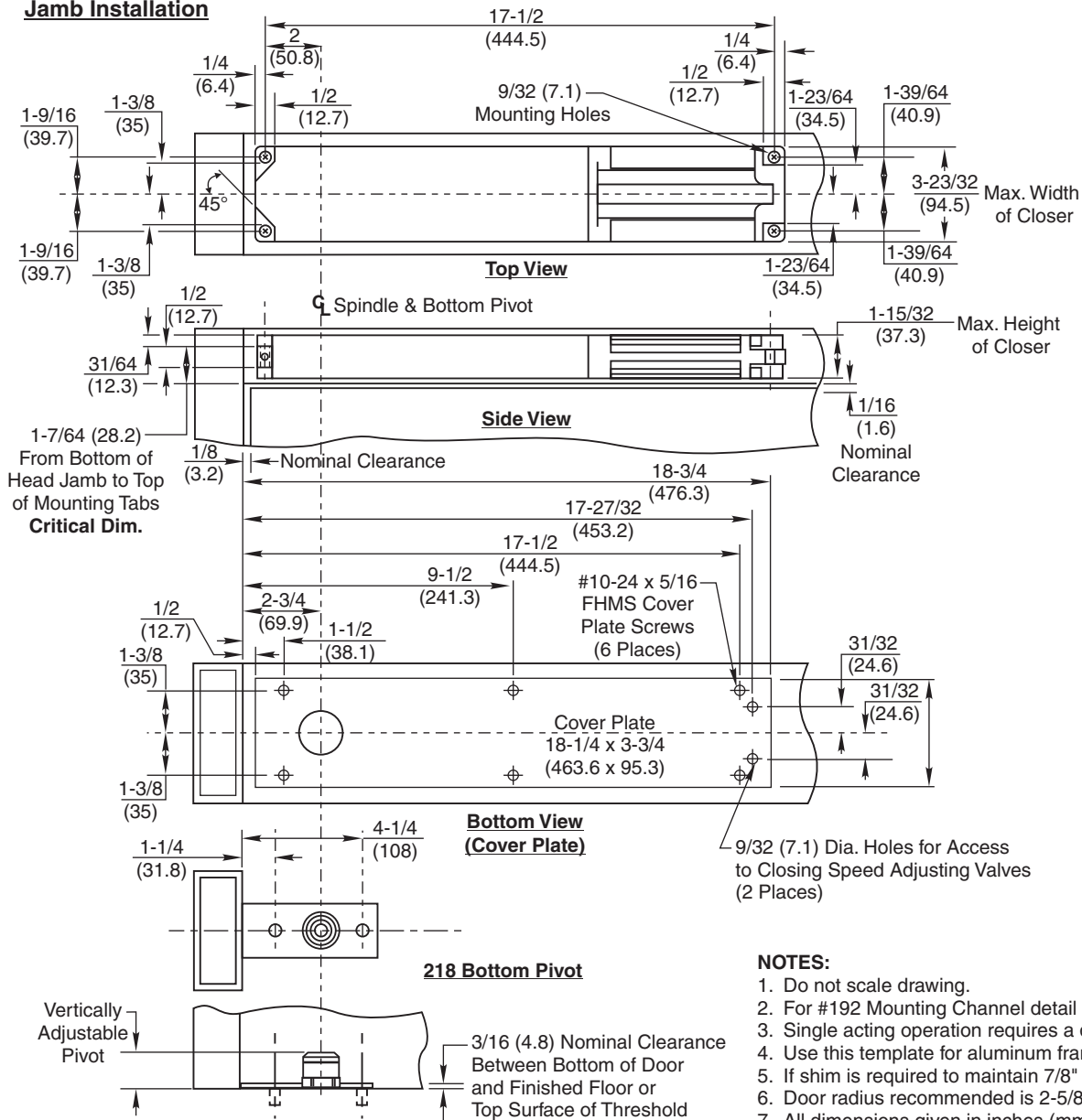
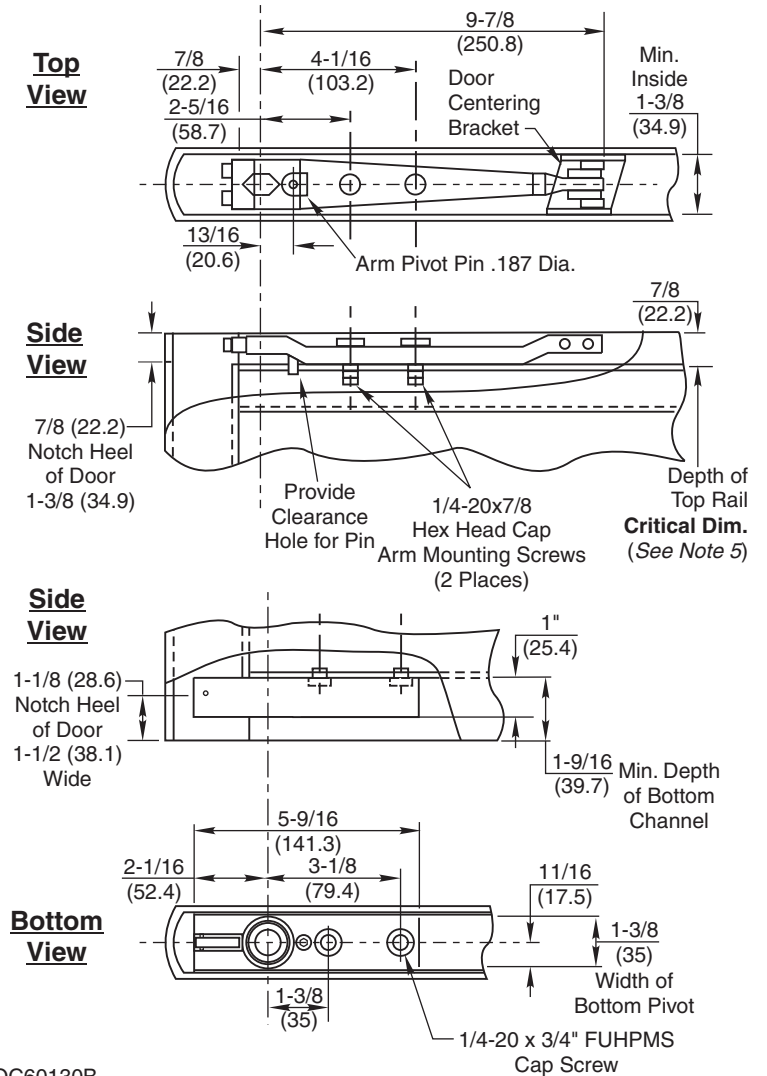


### Jamb Installation



### Door Installation



#### NOTES:

1. Do not scale drawing.
2. For #192 Mounting Channel detail see OC60130B.
3. Single acting operation requires a door stop on the underside of frame.
4. Use this template for aluminum frames and doors having 7/8" (22.2) depth top rail.
5. If shim is required to maintain 7/8" (22.2) rail depth, shim should be full length of arm.
6. Door radius recommended is 2-5/8" (66.7).
7. All dimensions given in inches (mm).

## M700 Single Acting & M800 Double Acting Overhead Concealed Door Closer Center Hung for Metal Doors and Frames

**RIXSON®**

**ASSA ABLOY**

www.rixson.com

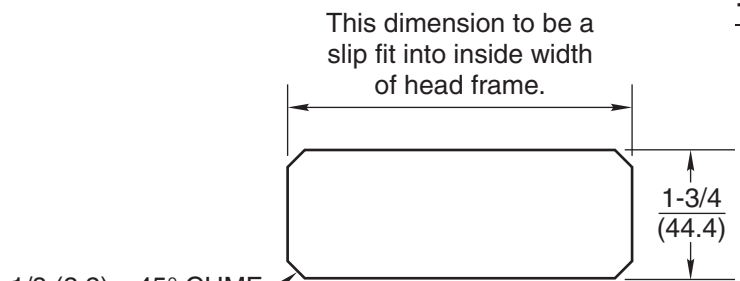
TEMPLATE NUMBER

**OC60130**

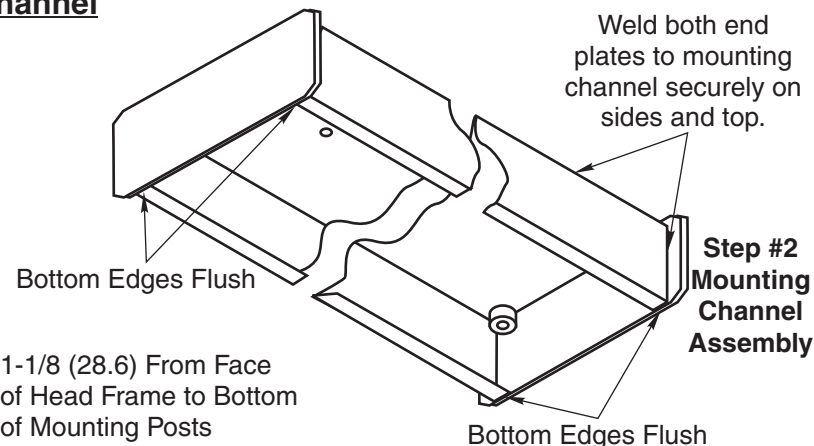
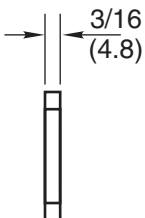
DATE

**01-11**

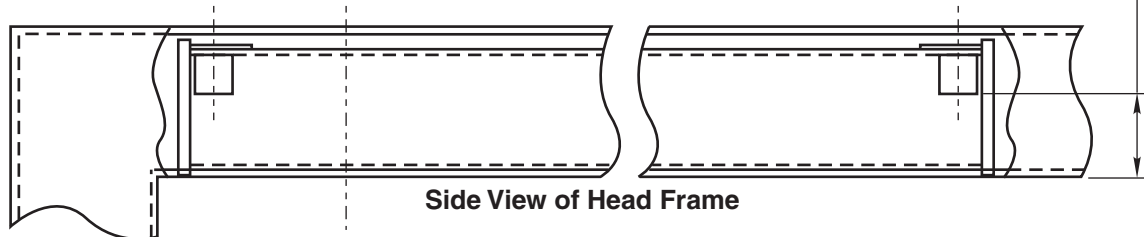
### 192 Hollow Metal Mounting Channel Center Hung



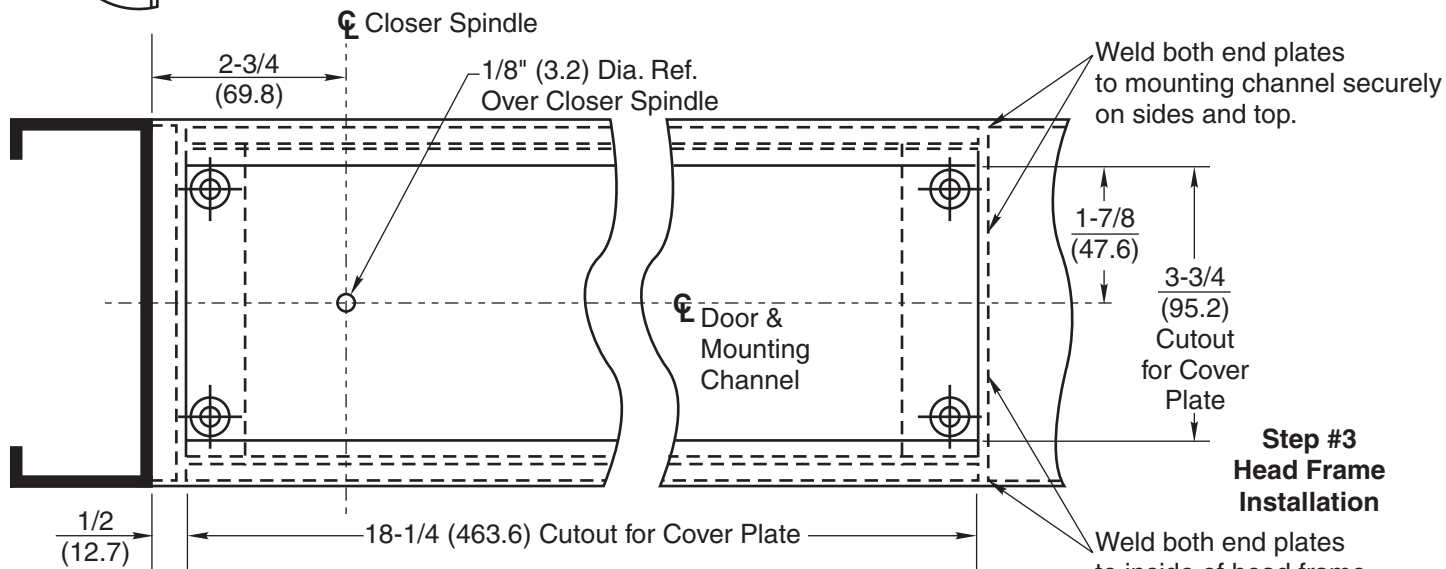
**Step #1  
Reinforcement End Plate  
(2 Req'd. by Others)**



**Step #2  
Mounting Channel  
Assembly**

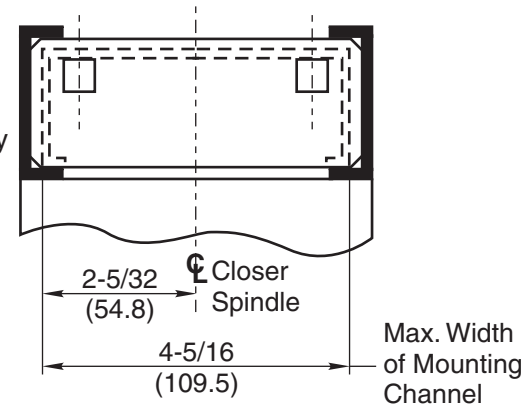


**Side View of Head Frame**



**Underside View of Head Frame**

**End View of Head Frame**



**NOTES:**

1. Do not scale drawing.
2. Right hand door shown.
3. Minimum width head frame 2" x 5-1/2" (50.8 x 139.7) 16 ga. max.
4. All dimensions given in inches (mm).
5. Channel must be installed prior to jobsite installation of frame.

## M700 Single Acting & M800 Double Acting Overhead Concealed Door Closer Center Hung for Metal Doors and Frames

**RIXSON**  
ASSA ABLOY

www.rixson.com

TEMPLATE NUMBER

**OC60130**

DATE

**01-11**