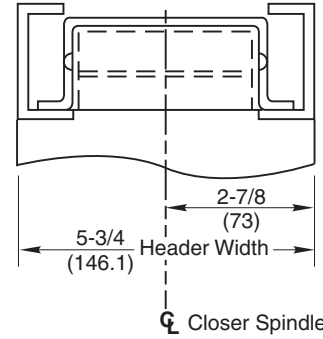


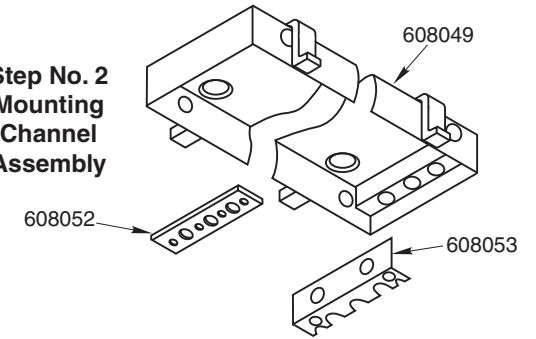
Hollow Metal Jamb Installation

NOTES:

1. Do not scale drawing.
2. 2" (50.8) x 5-1/2" (139.7) minimum width head frame.
3. Single acting operation requires a door stop on the underside of frame.
4. All dimensions given in inches (mm).



Step No. 2 Mounting Channel Assembly



MW608 Series Overhead Concealed Door Closer Center Pivot

RIXSON
ASSA ABLOY

www.rixson.com

TEMPLATE NUMBER

OC60440B

DATE

05-09