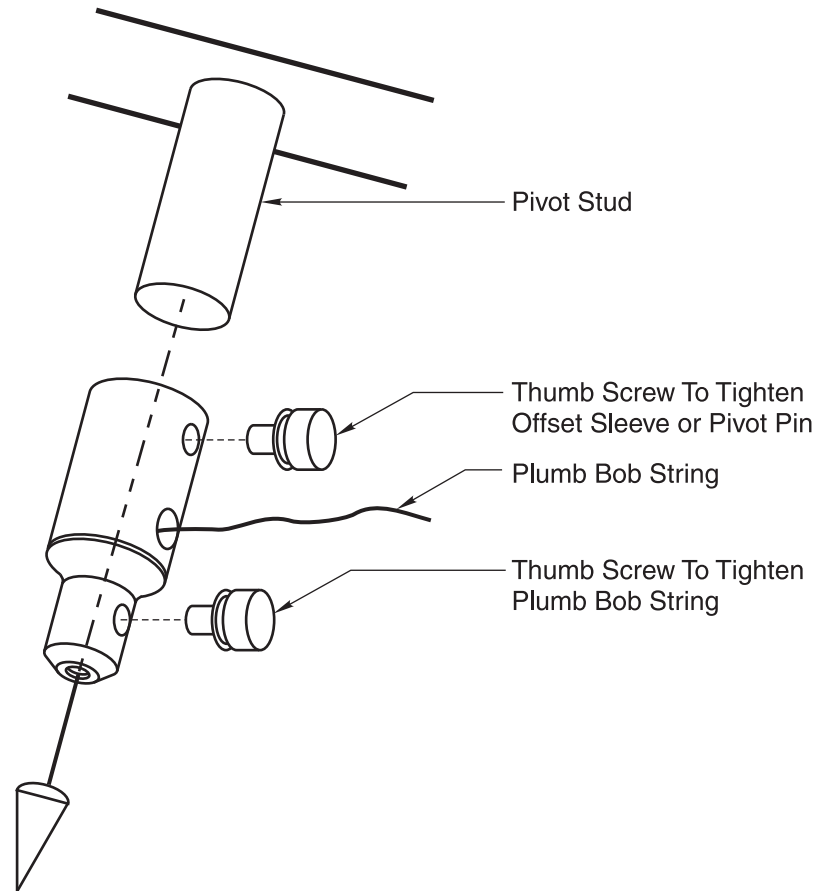


# 2608 Pivot Alignment Tool Center Hung Installation Instructions

1. Insert end of plumb line through small hole in bottom of the body and out the side hole.
2. Fish enough line through so bob can center over floor portion of the pivot.
3. Slide body over top pivot pin and tighten thumb screw.
4. Adjust height of plumb bob and allow it to center.
5. Mark holes in floor plate for drilling.



### Notes:

1. Do not scale drawing.
2. Parts not sold separately.
3. Plumb bob and string by others.

**Model 2608 Heavy Duty Alignment Tool**

**RIXSON®**  
**ASSA ABLOY**

www.rixson.com

TEMPLATE NUMBER

**IS2608**

DATE

**06-09**