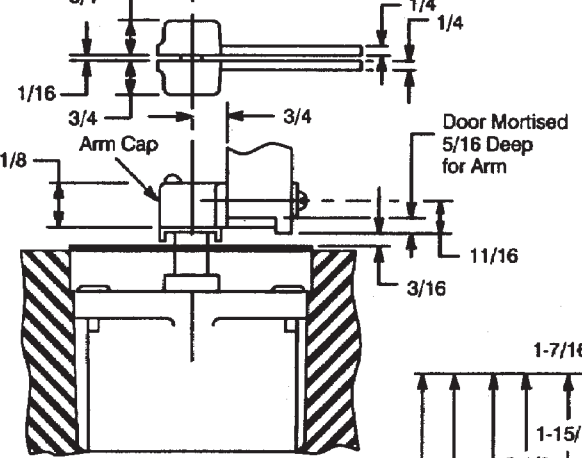
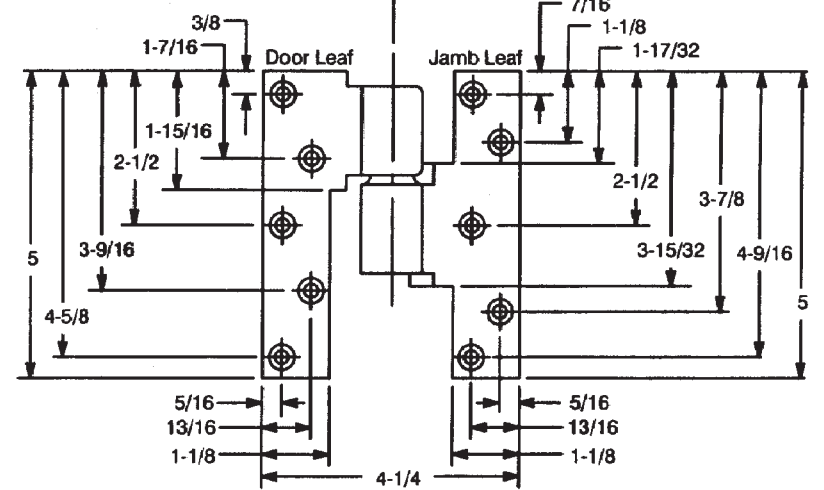
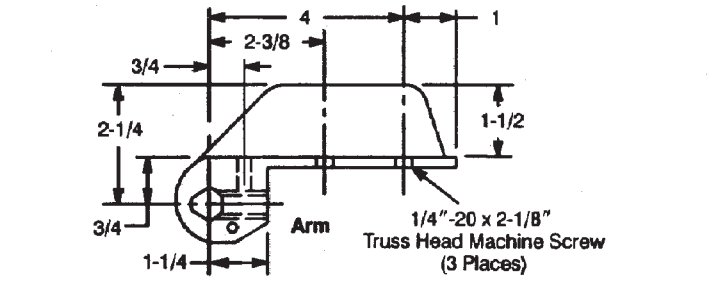
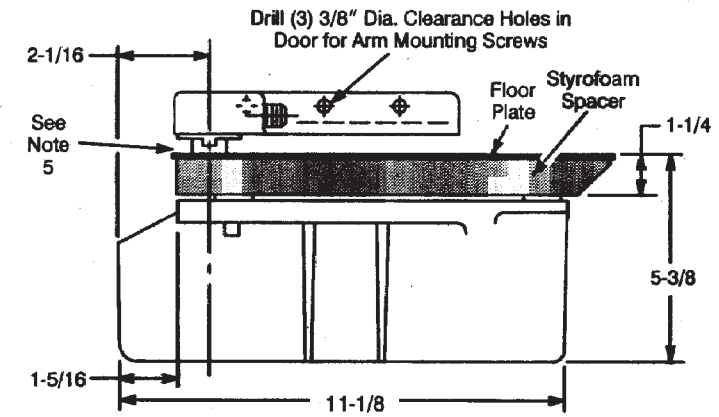


- Notes:**
1. Do not scale drawing.
  2. Right hand shown.
  3. Q27 Series  
85° Max. Opening, Trim Permitting  
90° Max. Opening, Trim Permitting  
105° Max. Opening, Trim Permitting
  4. Suffix Letters:  
A – Automatic Hold Open  
S – Selector Hold Open
  5. Where vertical adjustment is necessary, two (2) 1/16" thick shims are provided to be placed between arm and torque washer.
  6. All dimensions are in inches.



**M19 SIDE JAMB PIVOT  
3/4" Offset Handed**

**WITH FLOOR PLATE**  
Set Cement Case 1-1/4" Below Surface of Finished Floor



**Q27 Floor Closer  
3/4" Offset  
For 1-3/4" Doors Only**

**RIXSON®**  
**ASSA ABLOY**

www.rixson.com

TEMPLATE NUMBER	DATE
<b>OS10090</b>	<b>12-08</b>