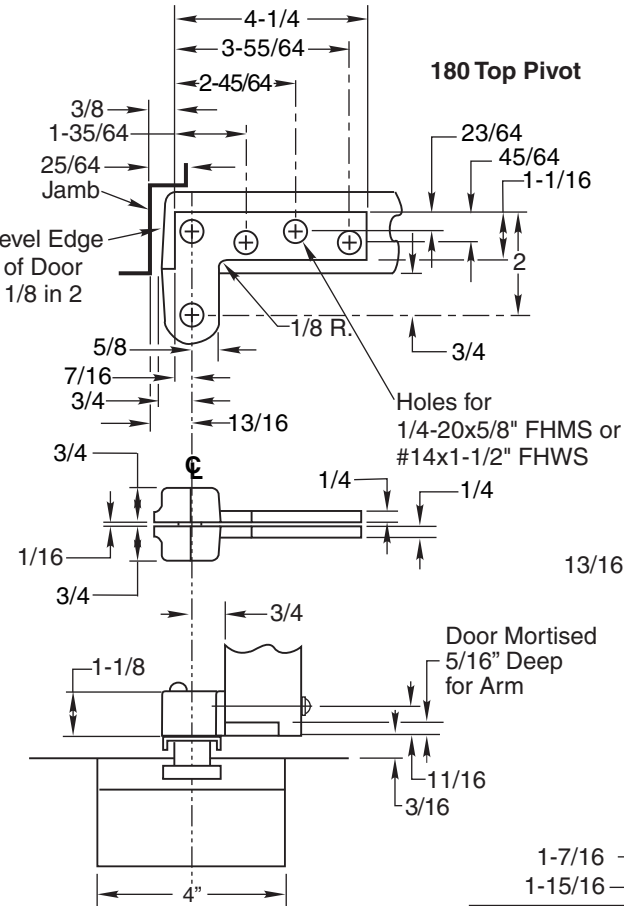
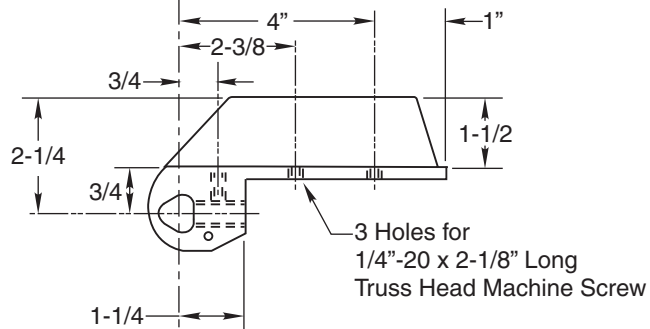
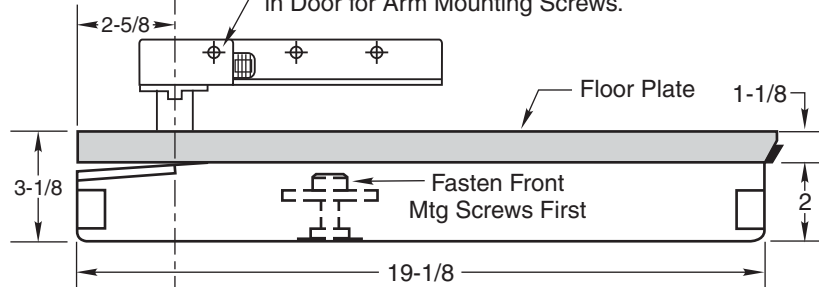


Where vertical adjustment is necessary two 1/16" thick shims are provided to be placed between arm & arm bearing washer.

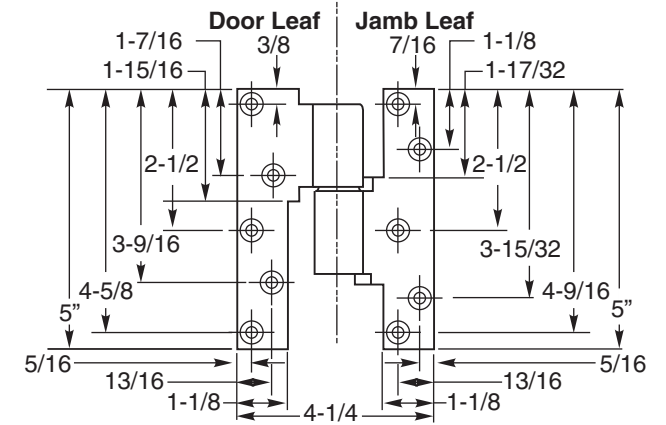
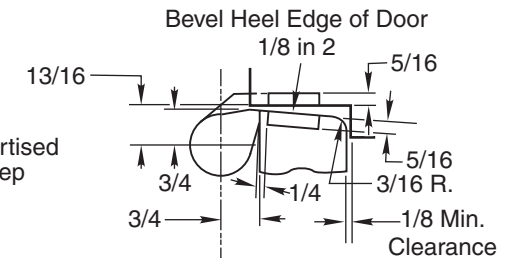
Drill (3) 3/8" Dia. Clearance Holes in Door for Arm Mounting Screws.



WITH FLOOR PLATE
Set Cement Case 1-1/8"
Below Surface of Finished Floor

Notes:

1. Do not scale drawing.
2. Right Hand Shown.
3. Use only with 1-3/4" doors.
4. All dimensions given in inches.
Conversion from inches to metric:
inch x 25.4
5. Maximum 11/16" clearance with standard spindle. Closer mounted flush with finished floor.



**Q51 Removable Floor Closer
3/4" Offset
for Use with 1-3/4" Doors Only**

RIXSON®
ASSA ABLOY

www.rixson.com

TEMPLATE NUMBER

OS10215

DATE

12-08