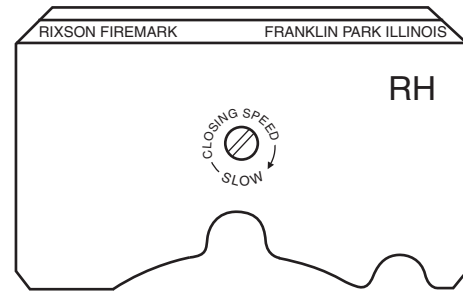
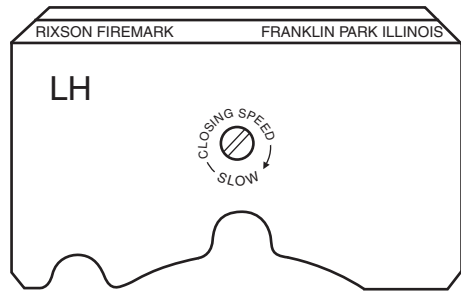


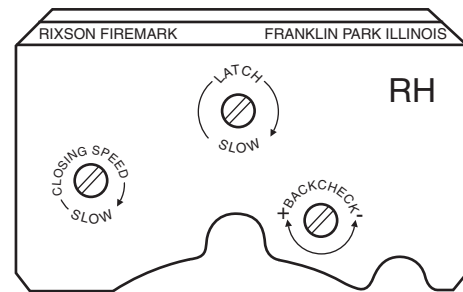
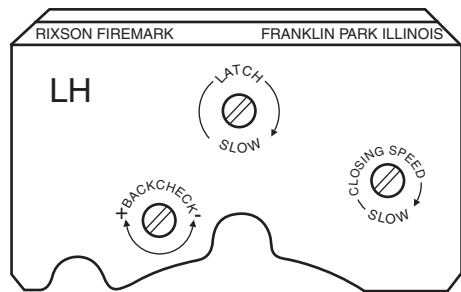
SEC25



Closing speeds can be adjusted to suit local conditions and requirements. With a screw driver turn the adjustment screw that projects through the floor plate or threshold, either in or out as the case may be until the desired action is attained. Turn this valve screw to the right, clockwise, to

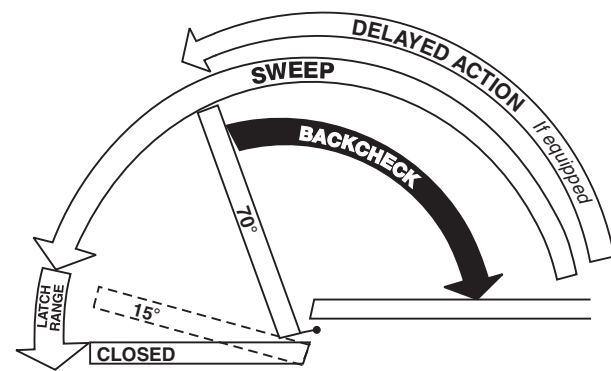
decrease closing speed and to the left to increase the closing speed. **FORCING THIS SCREW DOWN WILL IMPAIR ITS OPERATION.** Important: Spindle centerline must be maintained.

SEC27



Closing speeds can be adjusted to suit local conditions and requirements. Label on closer face designates the purpose of each adjustment screw. Adjustments are for speed control.

- A. The Closing Speed valve allows adjustment from full open to 15°.
- B. The Closing Speed valve allows adjustment from 65° to 15° closed position.
- C. Latch valve allows adjustment from 15° to closed position.
- D. Important: Backcheck adjustment must be adjusted to vary resistance from light to firm at 60° of door open. Do not use Backcheck as deadstop. This is an intensity valve not speed control.



Spring Power Adjustments

This closer can be adjusted for increased or decreased spring power.

These adjustments if required should be done by an authorized repair agency.

Repairs, parts replacement or internal adjustments must be done by a Rixson authorized repair agency. Consult www.rixsondoorcontrols.com for an authorized repair agency in your area.

ASSA ABLOY is the global leader in door opening solutions, dedicated to satisfying end-user needs for security, safety and convenience. Rixson® is a registered trademark of Yale Security Inc., an ASSA ABLOY Group company. Copyright© 2006, 2009, Yale Security Inc., an ASSA ABLOY Group company. All rights reserved. Reproduction in whole or in part without the express written permission of Yale Security Inc. is prohibited.



RIXSON

SEC 25 & 27 Security Floor Closer

3/4" Offset Pivoted – Handed

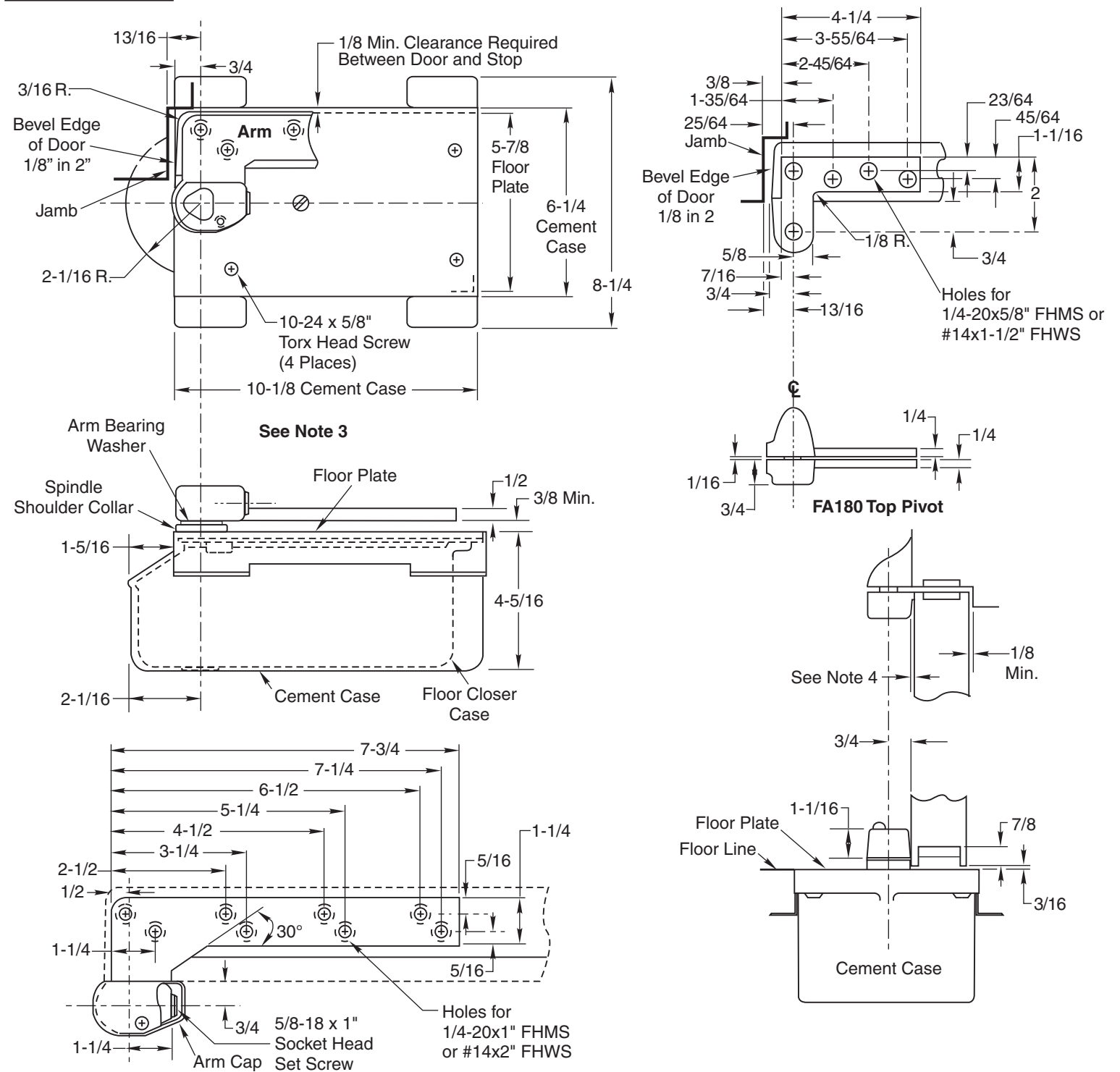
180 Top Pivot – Non Handed

ASSA ABLOY

Installation Instructions

252700SEC (06-09)

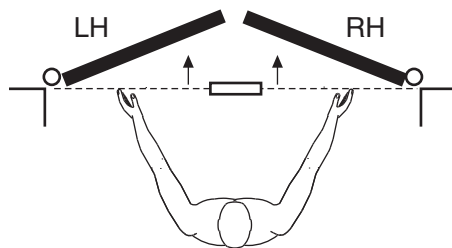
Template



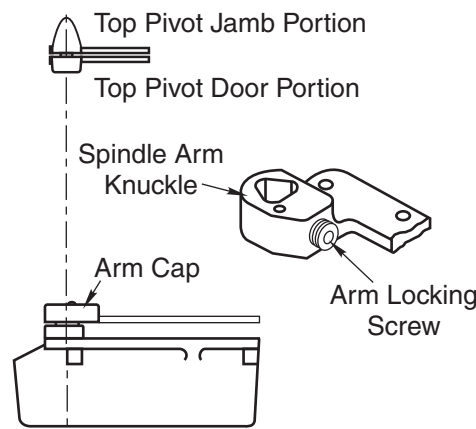
Note:

1. Do not scale drawing.
2. Right hand shown.
3. If vertical adjustment is required two 1/16" shims are provided. Place shims between arm and arm bearing washer.
4. Furnished for doors set back 1/16". For other door conditions specify set back.
5. All dimensions given in inches. Metric = inch x 25.4.

How To Determine Hand of Door



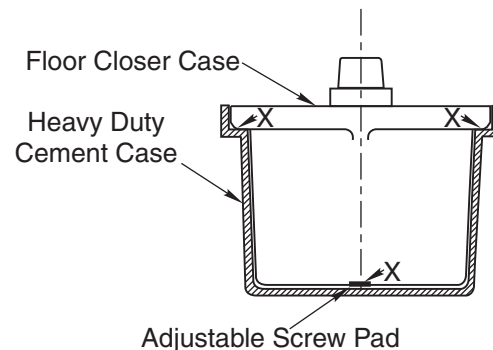
Face a door swinging open away from you. If it opens to the right, it is right hand. If it opens to the left, it is left hand.



RIGHT HAND installation

IMPORTANT:

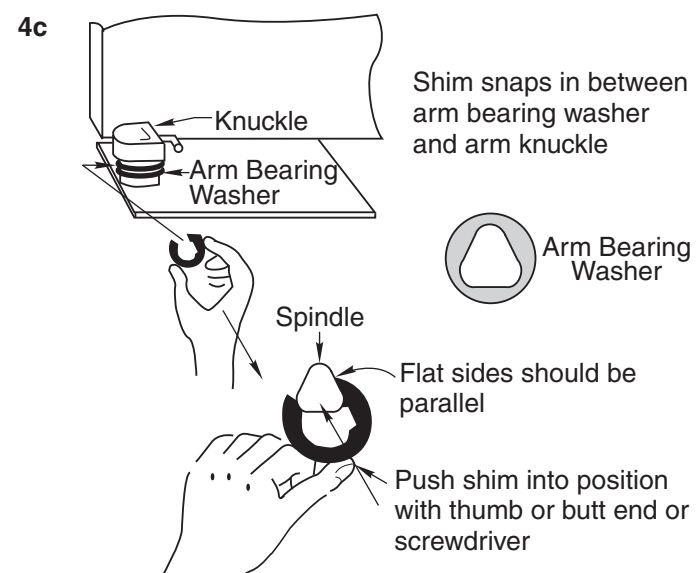
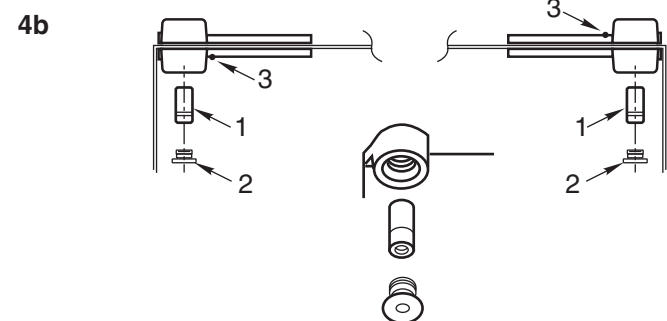
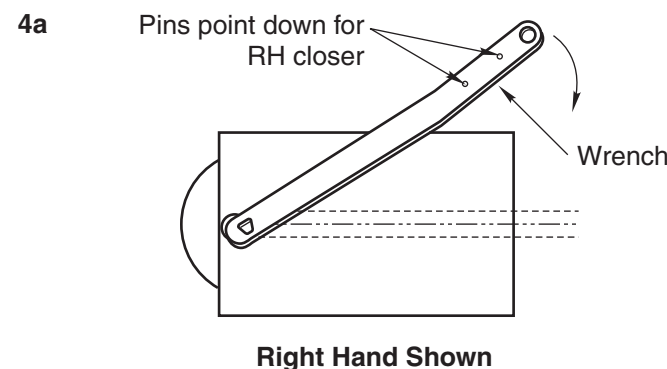
Use plumb line to make sure that center line of top pivot pin lines up with center line of closer spindle.



CAUTION:

An adjustable screw pad is provided in this heavy duty cement case for better load distribution. This pad is adjusted so the heavy duty closer case is equally supported by the adjustable pad and the case flange pads at outer corners of case as shown by "X". Pad is staked to keep from coming loose.

4. Hang Door



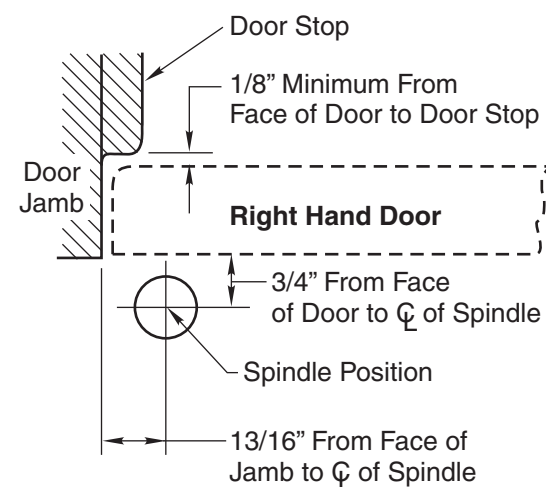
CAUTION: Closer is shipped with Closing Speed valve down. DO NOT FORCE VALVE DOWN.

- A. Using wrench, turn spindle until wrench is parallel with center line of closer. (Illustration 4a)
- B. Insert arm bearing washer over spindle then set door on closer spindle. **DO NOT FORCE DOOR CLOSED WHILE "CLOSING SPEED" VALVE IS TURNED DOWN.**
NOTE: You may have received two different styles of to pivots. Check the pivot pins. If the pivot pin has an O-ring, see instruction C. If no O-ring, see instruction D.
- C. Push item 1 "top pivot pin" into place. NOTE: Key on pin **MUST ALIGN WITH KEYWAY**. Keyway is towards face of door. Slot in pin is parallel to face of door. Attach "cap" item 2. (Illustration 4b) **CAP MUST BE TIGHTENED SECURELY.**
- D. Close door to 60° or more and turn valve screw counterclockwise. Door will then close.
- E. Open "closing speed" valve (counterclockwise) one turn.
- F. If door drags at floor (or threshold, if used), raise door to desired clearance and insert one or more 1/16" shims. (Illustration 4c)
- G. While working door back and forth **TIGHTEN ARM LOCKING SCREW SECURELY** with wrench furnished.
- H. Put arm cap on closer spindle and secure **TIGHTLY** with cap screw furnished.

Installation Instructions

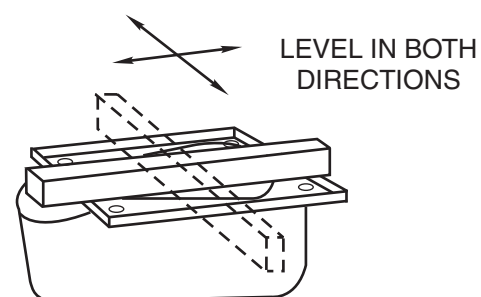
1. Locating Closer

For accurate installation see your dealer for a 185 Quickspotter Kit.



- A. Measure 13/16" out from door jamb.
- B. Allow 1/8" minimum clearance from door stop to door face. Measure door thickness. Add 3/4".
- C. Where lines meet determines center line of closer.

2. Install Cement Case in Floor



- A. For floor plate application: Cement case is set 1/8" (3.2mm) below floor level.
- B. For threshold application: Cement case is set flush with floor.
- C. Set cement case in floor and block in position.
- D. Case should be parallel with center line of door.
- E. **CEMENT CASE SHOULD BE LEVEL.** Place levels per Illustration.
- F. Grout in cement case with closer. Cement should not get between closer and case.

3. Install Top Pivot & Closer Arm

- A. Install top pivot in door per template.
- B. Install top pivot in frame per template.
- C. Center line of pivot should line up with center line of closer. Use plumb line as illustrated.
- D. If side pivot is used, see template for intermediate pivot.
- E. Install door closer arm in bottom of door per template.