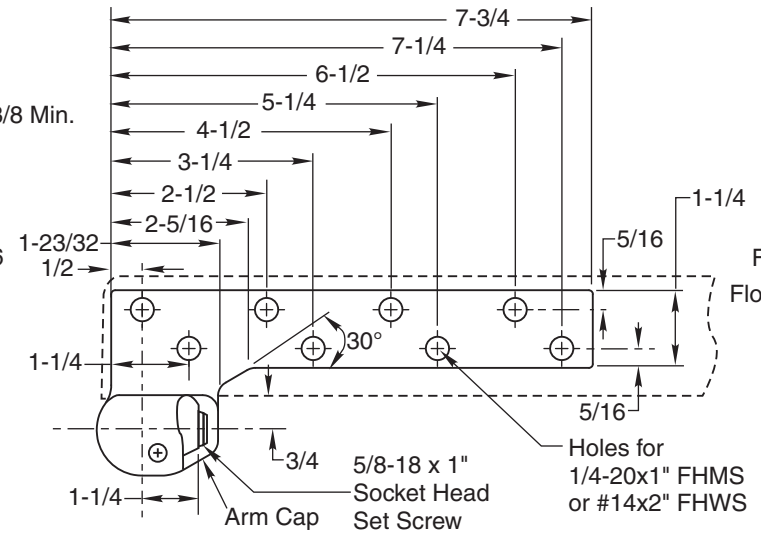
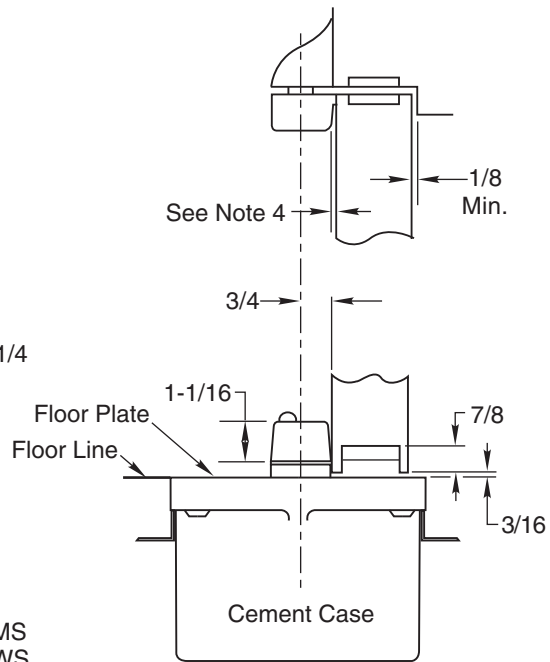


See Note 3



- Note:**
1. Do not scale drawing.
  2. Right hand shown.
  3. If vertical adjustment is required two 1/16" shims are provided. Place shims between arm and arm bearing washer.
  4. Furnished for doors set back 1/16". For other door conditions specify set back.
  5. All dimensions given in inches. Metric = inch x 25.4.



**SEC25 & SEC27 Floor Closer  
3/4" Offset**

**RIXSON**  
**ASSA ABLOY**

www.rixson.com

TEMPLATE NUMBER

**OS10500**

DATE

**06-09**