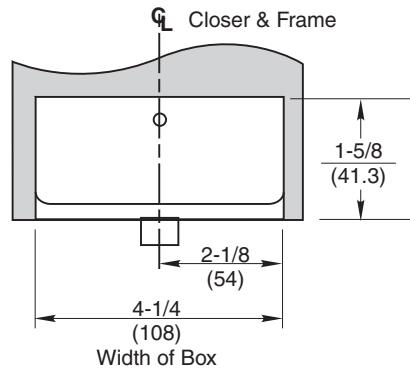


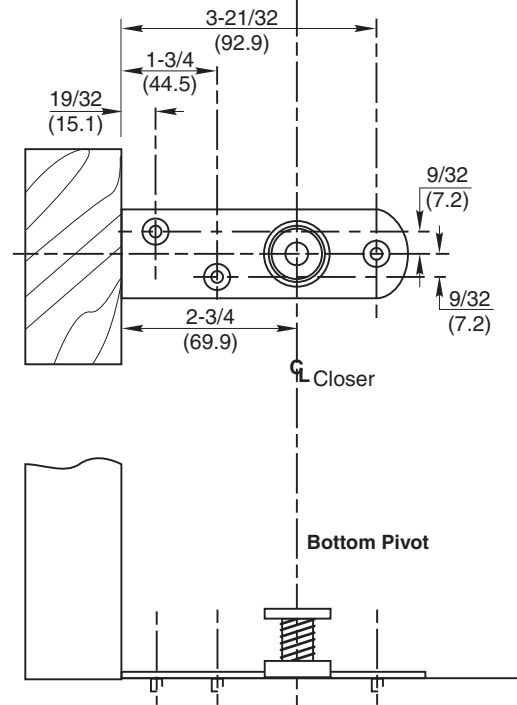
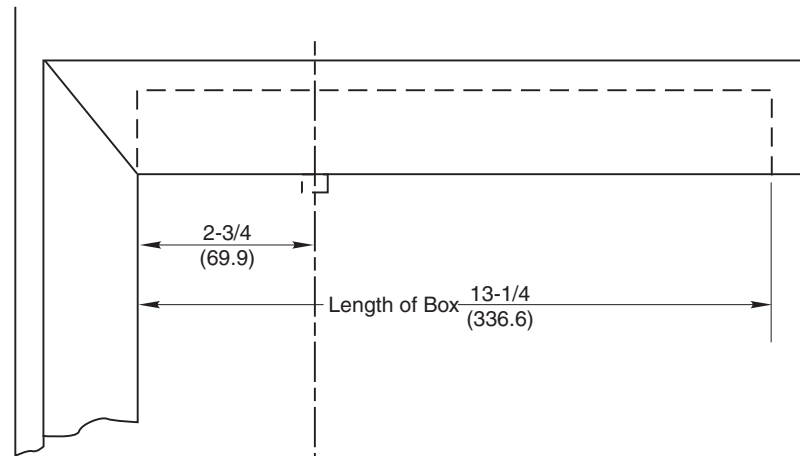
## WOOD JAMB INSTALLATION

### NOTES:

1. Do not scale drawing.
2. Arm plate used with arm on wood doors. Attach with #14 x 1-1/2" FHWS
3. Door radius recommended 2-5/8" (66.7).
4. All dimensions given in inches (mm).



**5-1/2" (139.7) or Wider  
Head Frame**



## W608 Series Overhead Concealed Door Closer Center Pivot

**RIXSON**

**ASSA ABLOY**

www.rixson.com

TEMPLATE NUMBER

**OC60450B**

DATE

**05-09**