

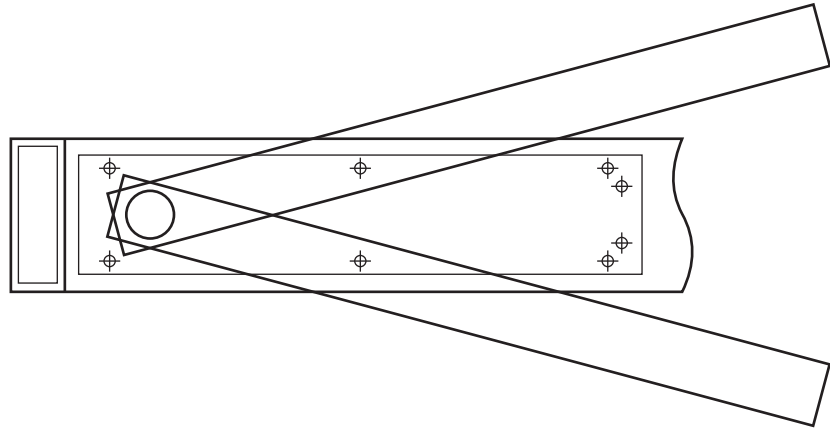
6. Centering the door. Open the adjustment valves.

**800 Series**

Center door in jamb by adjusting centering screws in top arm. Tighten arm screws securely.

**700 Series**

Adjust arm centering screws to provide pressure of door against stop on frame. Tighten main arm screws securely.

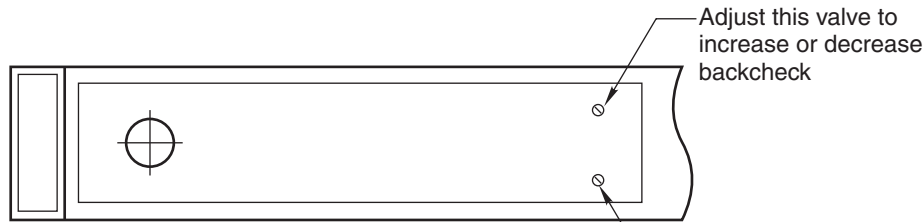


7. Adjust closing speed of door.

**800 Series**

Each valve controls one swing only. To decrease speed turn clockwise. To increase speed turn counter clockwise.

Adjust each valve screw per illustration.



**700 Series**

To decrease speed turn valve clockwise. To increase speed turn valve counter clockwise.

To increase backcheck, turn valve clockwise, to decrease backcheck turn valve counter clockwise.

ASSA ABLOY is the global leader in door opening solutions, dedicated to satisfying end-user needs for security, safety and convenience. Rixson® is a registered trademark of Yale Security Inc., an ASSA ABLOY Group company. Copyright© 2007, 2014, Yale Security Inc., an ASSA ABLOY Group company. All rights reserved. Reproduction in whole or in part without the express written permission of Yale Security Inc. is prohibited.



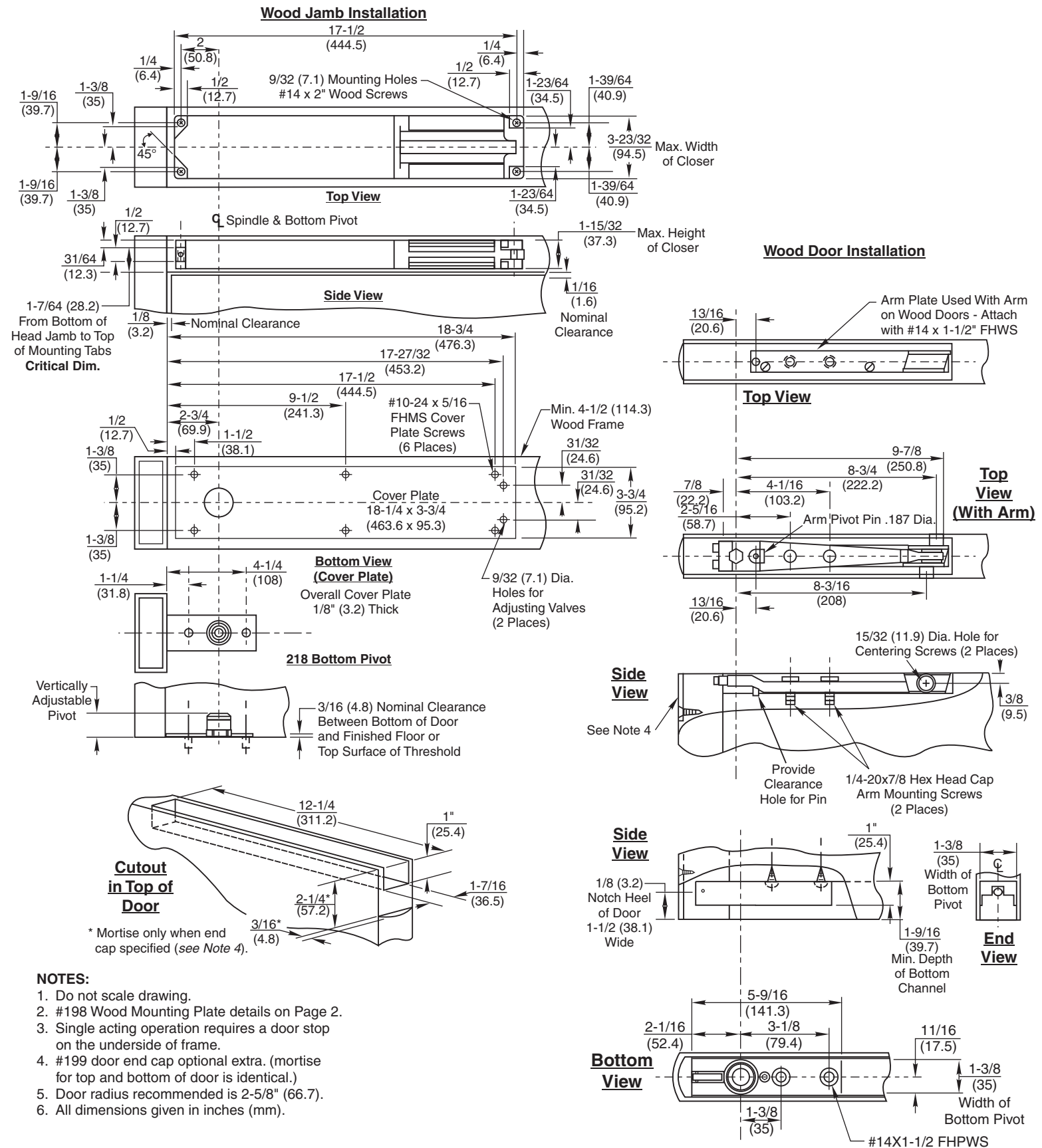
**RIXSON®**

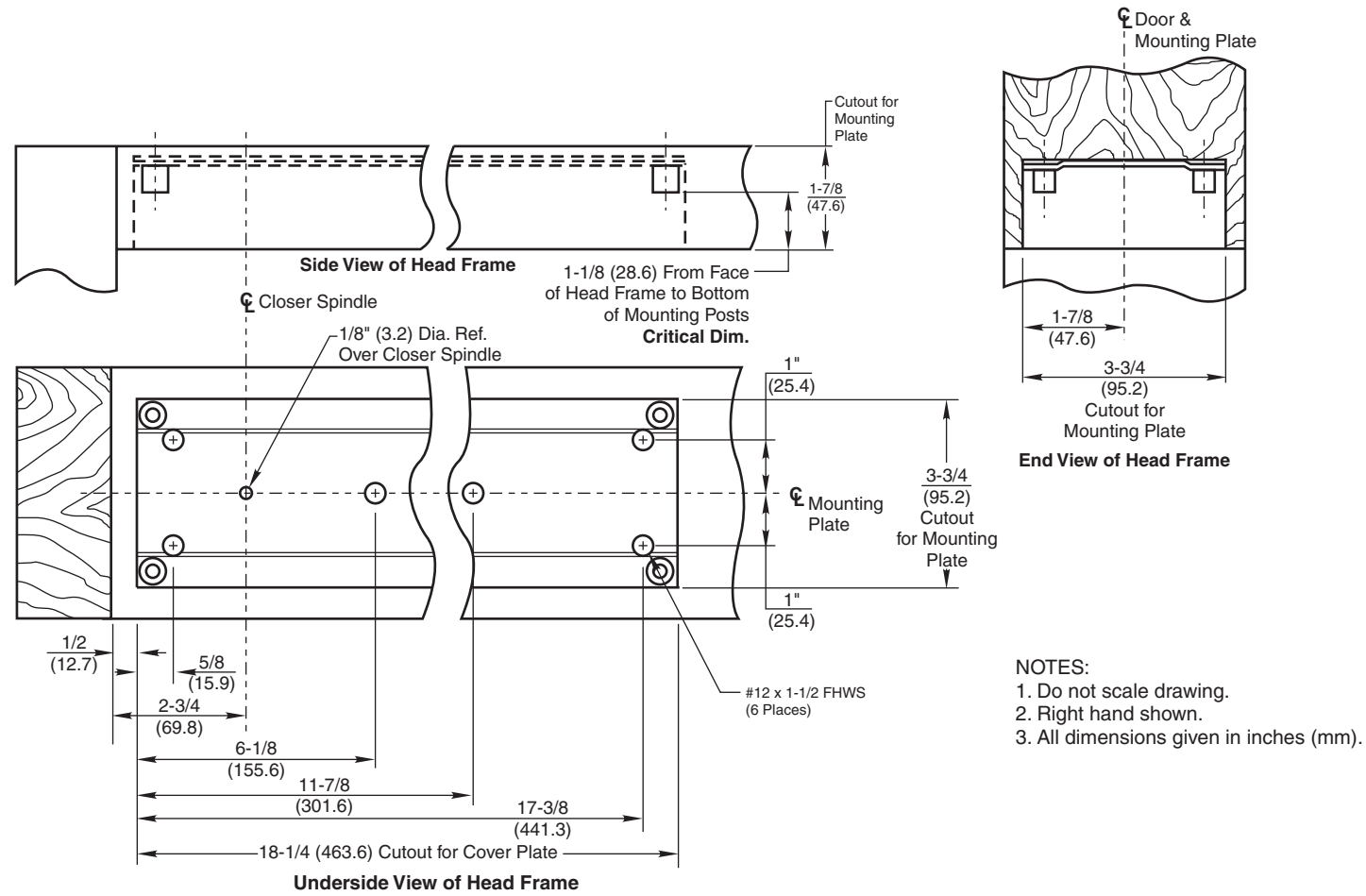
**ASSA ABLOY**

**W700 Series Overhead Concealed Closer (Wood Door & Frame)**  
**W700 Series, Center Hung Single Acting, Handed**

**Installation Instructions**

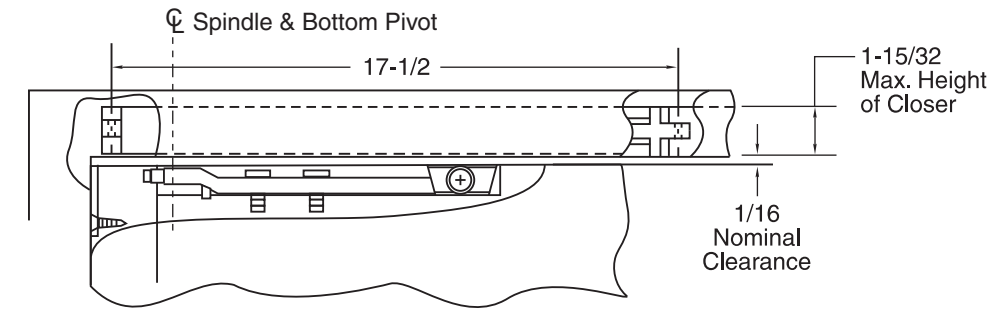
ISW700 (12-14)



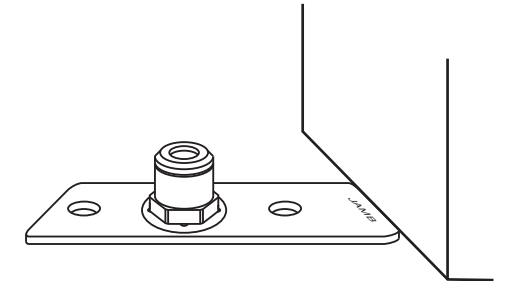


**Installation Instructions**

1. Install mounting plate in frame.

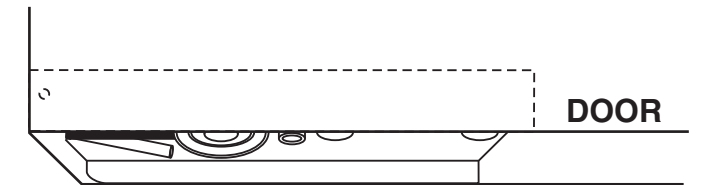


2. Install bottom pivot floor portion.  
 (see 218 instruction sheet)

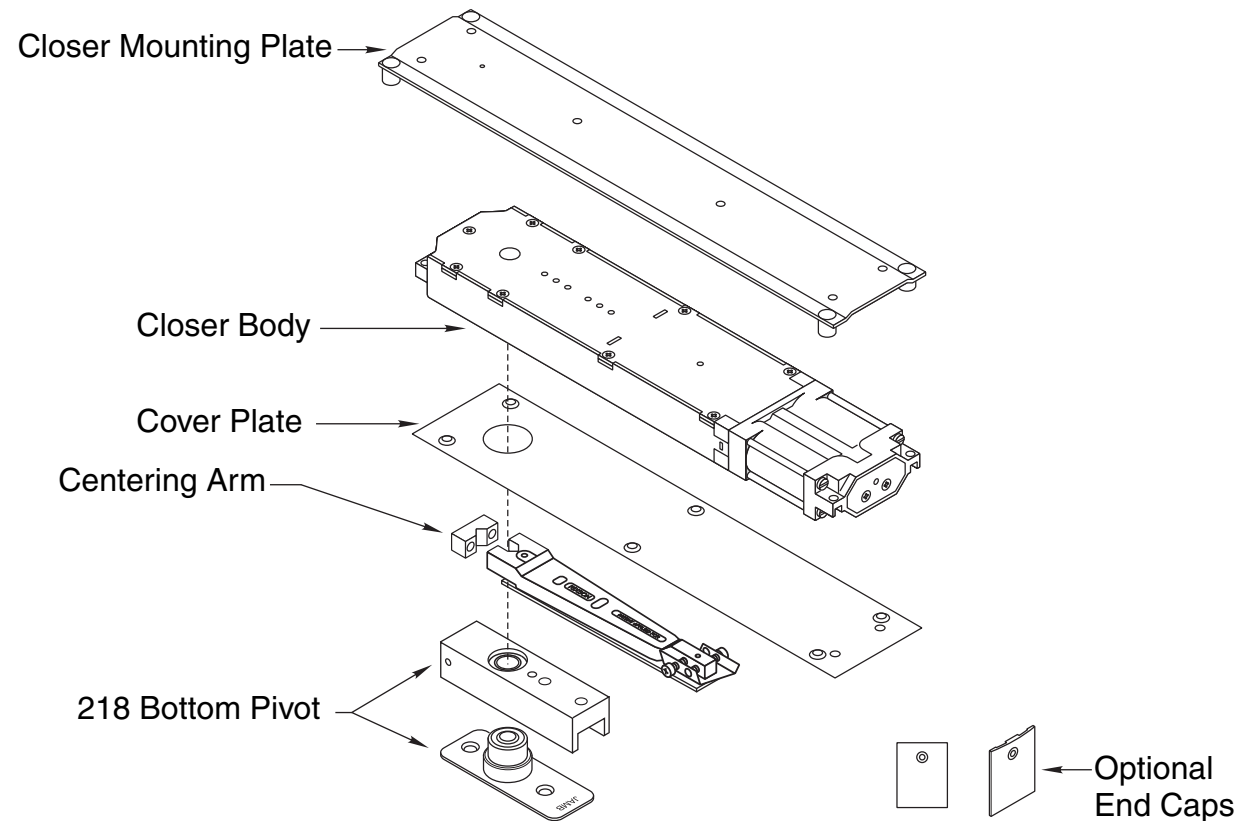


3. Install wood door arm plate using #14 x 1-1/2 FHWS. Install main arm using (2) 1/4 x 20 x 7/8" hex head arm screws. Drill (2) each 15/32 holes for centering screws, where shown on template. Do not tighten arm or centering screws.

4. Install door portion of bottom pivot.  
 (see 218 instruction sheet)



**Included in package:**



5. Install Door. Turn closing speed valves shut (clockwise).

- a. Using a suitable wrench, turn spindle of closer to 90° OR hold open position
- b. Slide the door over the 218 pivot, which is attached to the bottom of the door frame. Making sure the door is resting on the bottom pivot, tilt the door so that the opening in the top centering bracket fits into the main spindle at the top of the door.
- c. Install arm clamp making certain that spindle and arm fit properly. Fasten with two 5/16" socket head cap screws. **IMPORTANT:** Tighten arm locking screws securely while working door back and forth.

