

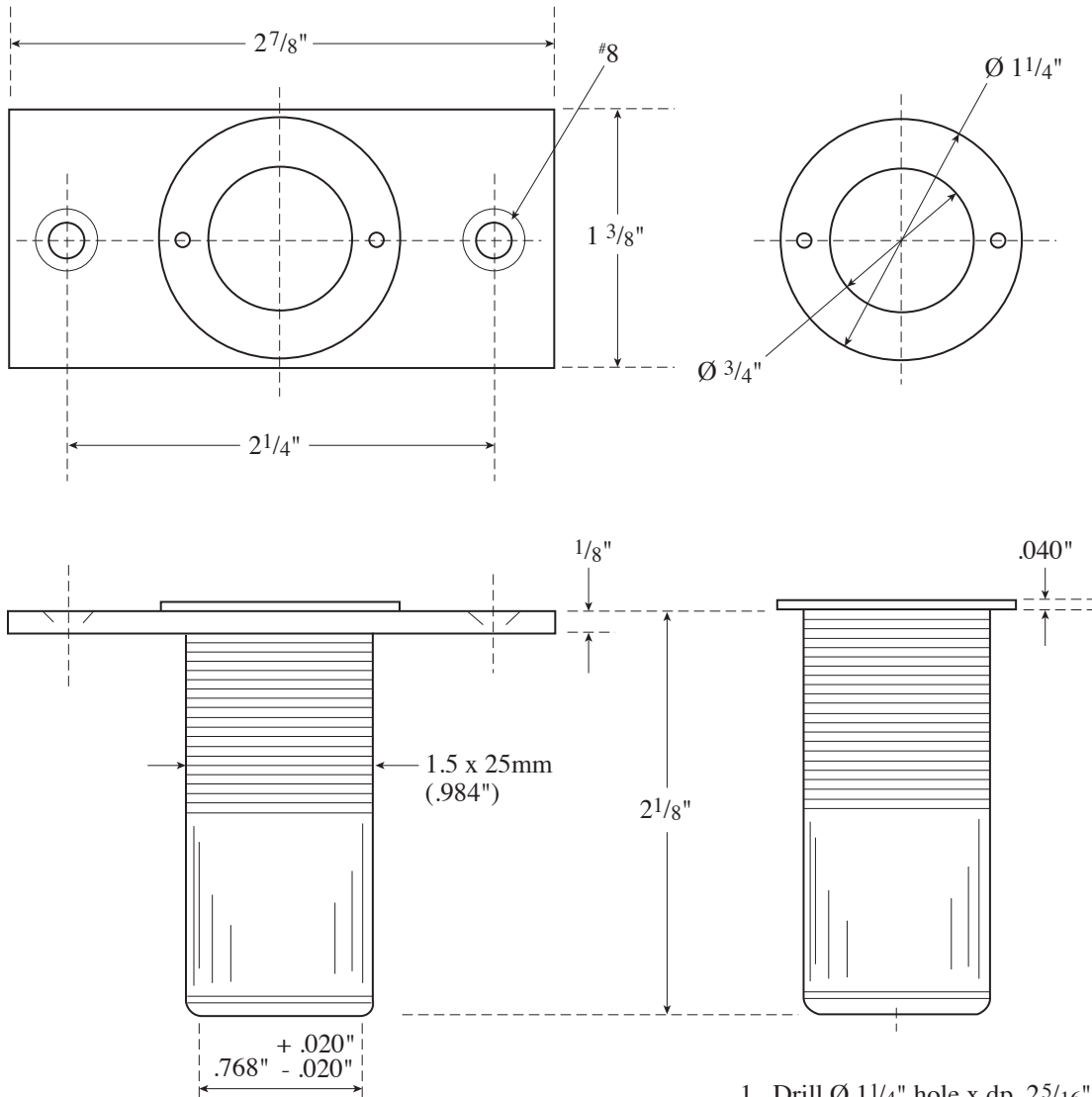
Architectural Door Accessories

ASSA ABLOY

Rockwood 570 Dust Proof Strike

The global leader in
door opening solutions

NOT TO SCALE



Template T-570

Effective date: Oct. 9, 2018
Supersedes: All Previous

NOTE: ASSA ABLOY reserves the right to make product changes and is not responsible for obsolete template errors. To ensure your template is current, please visit our website at www.assaabloydooraccessories.us or call us at 800-458-2424.

⚠ WARNING

This product can expose you to lead which is known to the state of California to cause cancer and birth defects or other reproductive harm. For more information go to www.P65warnings.ca.gov.

1. Mortise plate into surface.
2. Drill $\text{Ø } 1\frac{1}{4}$ " hole x dp. $2\frac{3}{16}$ ".
3. Drill two holes for anchors suitable to conditions.
4. Place anchors into holes.
5. Grout strike into floor.
6. Insert mounting screws.

1. Drill $\text{Ø } 1\frac{1}{4}$ " hole x dp. $2\frac{5}{16}$ " from top of threshold.
2. Grout strike into floor.