

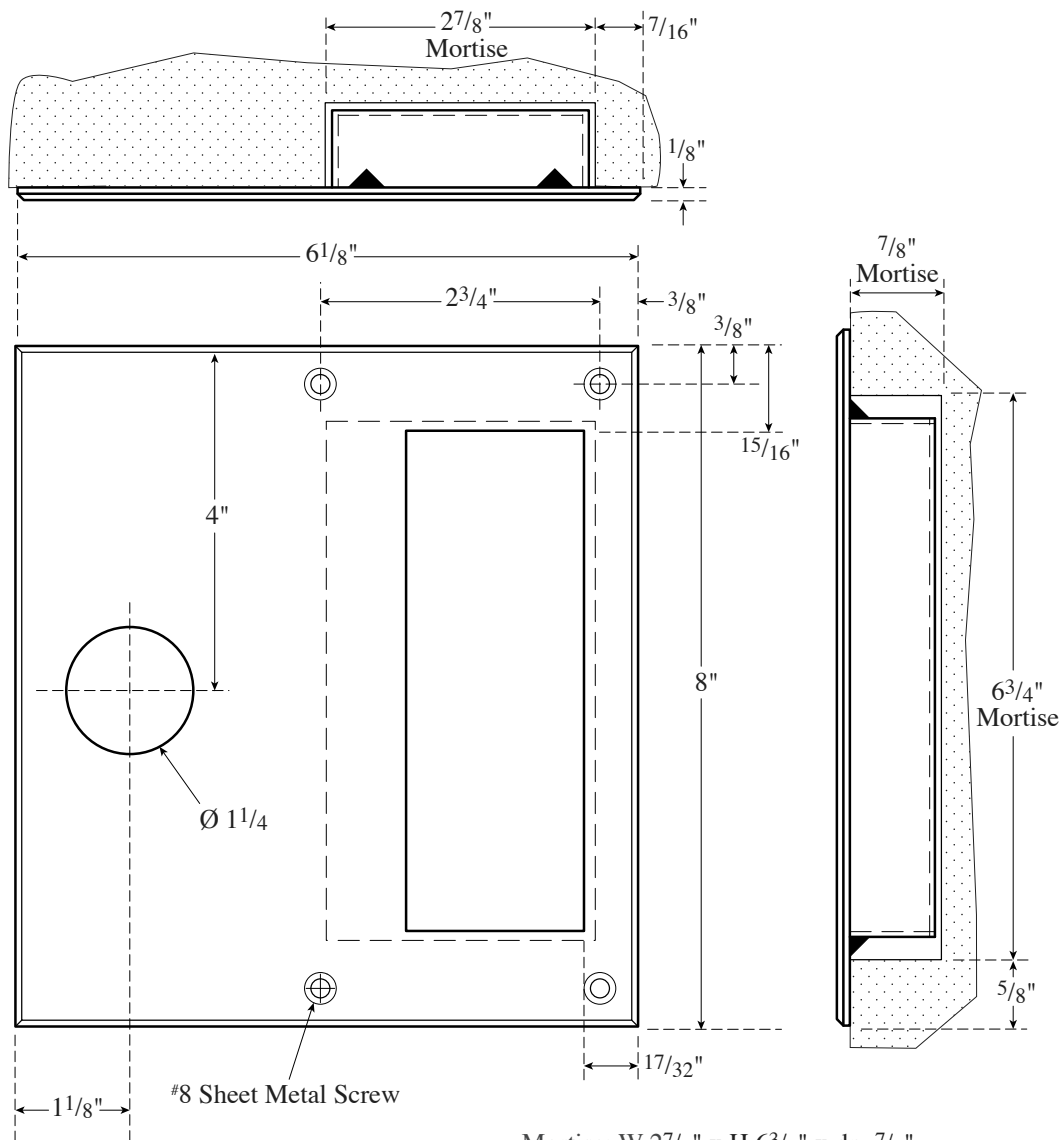
Architectural Door Accessories

ASSA ABLOY

Rockwood 94DLL Flush Pull

The global leader in
door opening solutions

NOT TO SCALE



Mortise: W $2\frac{7}{8}"$ x H $6\frac{3}{4}"$ x dp. $7/8"$
Drop pull into opening and drill mounting
holes using holes in handle as a template.

Template T-94DLL

Effective date: January 1, 2017
Supersedes: All Previous

NOTE: ASSA ABLOY reserves the right to make product changes and is not responsible for obsolete template errors. To ensure your template is current, please visit our website at www.rockwoodmfg.com or call us at 800-458-2424