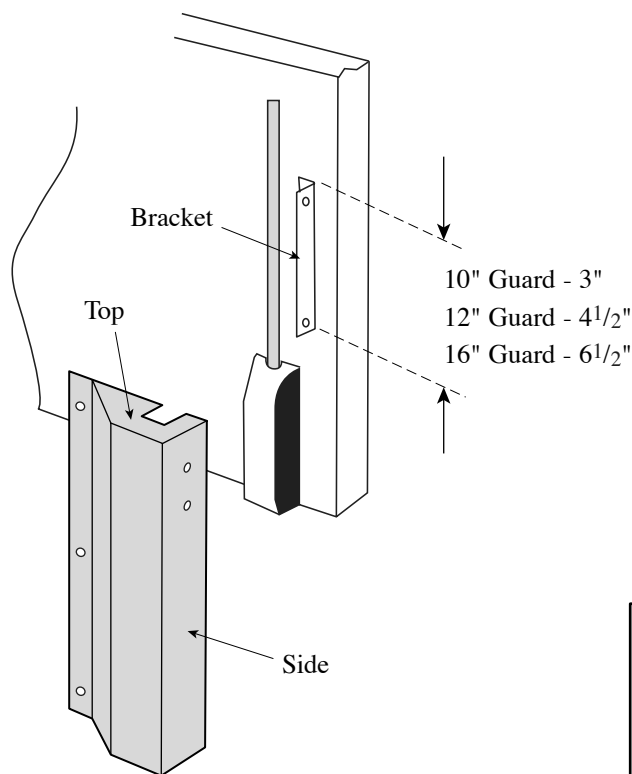


Rockwood BFLG Latch Guards

The global leader in
door opening solutions

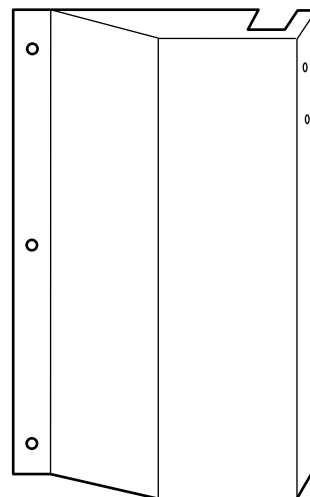
NOT TO SCALE

The Rockwood BFLG Series Latch Guard will cover a bottom latch that is up to W $2\frac{1}{4}$ " x $2\frac{1}{8}$ " projection.



FASTENERS:

Bracket to Door - two #8-32 pan head machine screws.
Guard to Bracket - two #8-32 pan head machine screws.
Guard to Door - three #8-32 pan head machine screws.



Template T-BFLG

Effective date: January 1, 2017
Supersedes: All Previous

NOTE: ASSA ABLOY reserves the right to make product changes and is not responsible for obsolete template errors. To ensure your template is current, please visit our website at www.rockwoodmfg.com or call us at 800-458-2424