

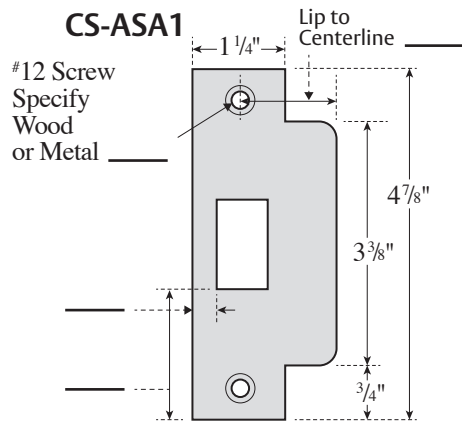
Rockwood Custom Strikes Order Form

The global leader in
door opening solutions

Fill out this form and email to: orders.rockwood@assaabloy.com / or fax to: 800-922-9212

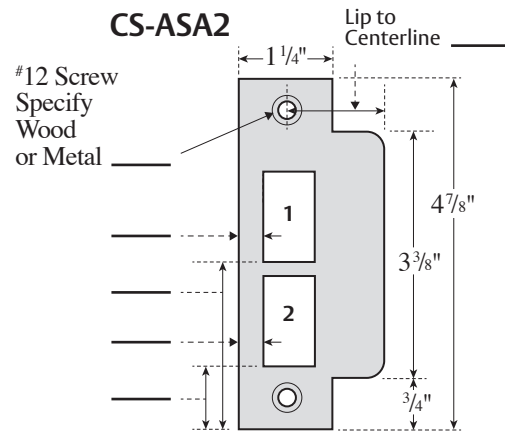
Customer Information

Contact Name: _____ Date: _____
 Company Name: _____ Account #: _____
 Street Address: _____ Phone/Fax: _____ / _____
 City/State/Zip: _____ Email: _____



Select Bolt Hole Size

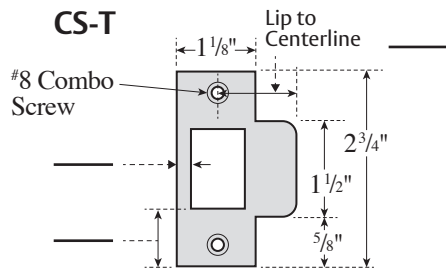
11/16" x 1 1/4" 3/4" x 1 1/4" Other: W _____ x L _____



Select Bolt Hole Size

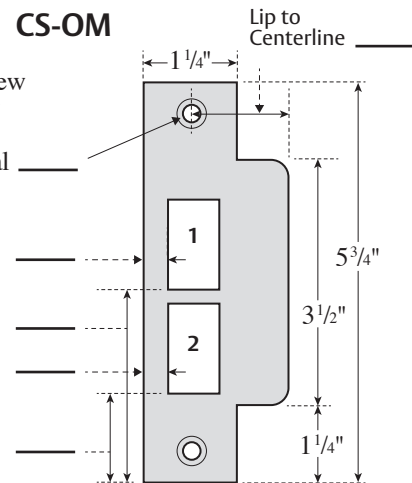
1. 11/16" x 1 1/4" 3/4" x 1 1/4" Other: W _____ x L _____

2. 11/16" x 1 1/4" 3/4" x 1 1/4" Other: W _____ x L _____



Select Bolt Hole Size

11/16" x 1 1/4" 3/4" x 1 1/4" Other: W _____ x L _____



Select Bolt Hole Size

1. 11/16" x 1 1/4" 3/4" x 1 1/4" Other: W _____ x L _____

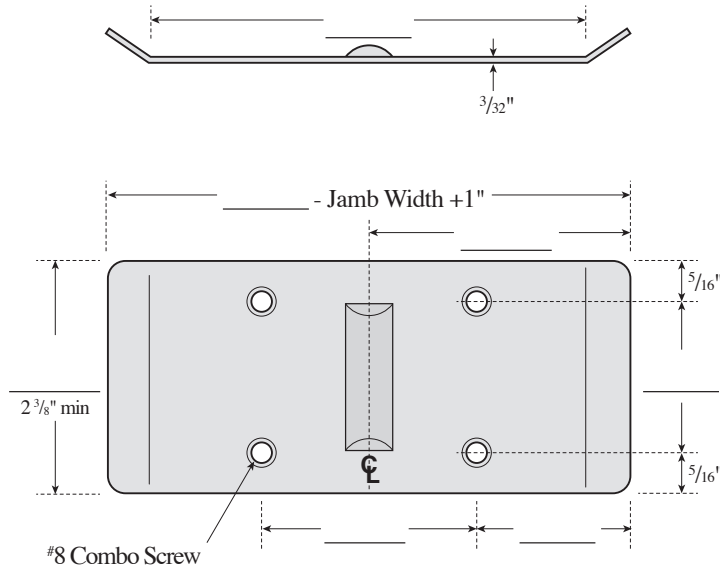
2. 11/16" x 1 1/4" 3/4" x 1 1/4" Other: W _____ x L _____

Order Form for CS-ASA1, CS-ASA2, CS-OM, CS-T

Order Line #	Qty	Part #	Flat or Curved	LH	RH	MS or WS Fastener	Finish
Options							

ASSA ABLOY is the global leader in door opening solutions, dedicated to satisfying end-user needs for security, safety and convenience

590-DA



Order Form for 590-DA

Is Door: Center Hung¹ Flush with Jamb²

Order Line #	Quantity	Part #	Jamb Width	Finish
Options				