

Rockwood Half Height LP3301 Order Form

Experience a safer and more open world

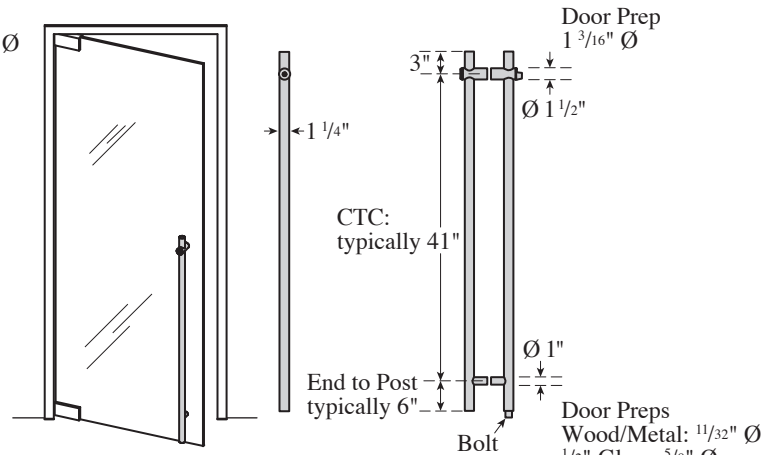
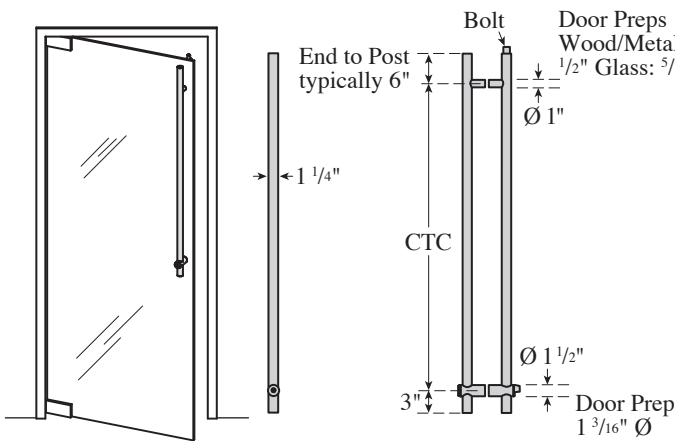
Complete this form and email to: orders.rockwood@assaabloy.com / or fax to: 800-922-9212

Customer Information

Company Name: _____ Date: _____
 Account #: _____ Phone/Fax: _____ / _____
 Email: _____ PO #: _____ Line #: _____

Half Height Bolts Up (DBU) Qty: _____

Half Height Bolts Down (DBD) Qty: _____



Note: Cylinder must be located 34"-48" above finished floor to meet ADA requirements. California ADA requires cylinder to be located 36"-46" above finished floor.

Finish: _____

CTC (from 10" to 80"): _____

End to Post (from 3" to 12" in 1/16" increments): _____

Door Type: Glass Metal Wood

Door Thickness: _____

Hole Size (for glass door application only): _____

Cylinder Type: 01-Stock Yale 02-SFIC Housing (standard) 03-SFIC Housing w/PCC
 05-Customer Sending to Rockwood 07-Dummy Cylinder 09-7 PIN SFIC HSG w/Yale Core

Thumbturn Type: ADA Standard

OPTIONS:

Push Bar Options: BEPB - Bent End Both Sides BEPC - Bent End Cylinder Side BEPT - Bent End Thumbturn Side
 PMPB - Post MT Both Sides PMPC - Post MT Cylinder Side PMPT - Post MT Thumbturn Side

Handing (required with Horizontal Push Bar only-Specify Qty): LH _____ LHR _____ RH _____ RHR _____

Push Bar CTC (from 10" to 48" - required with Horizontal Push Bar only): _____

NOT TO SCALE