

Architectural Door Accessories

Rockwood LV-WS Windstorm Rated Louver Order Form

The global leader in
door opening solutions

Complete this form and email to: orders.rockwood@assaabloy.com / or fax to: 800-922-9212

Customer Information

Contact Name: _____ Date: _____

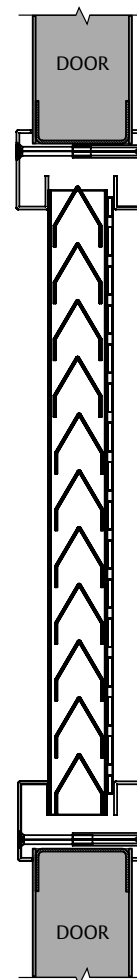
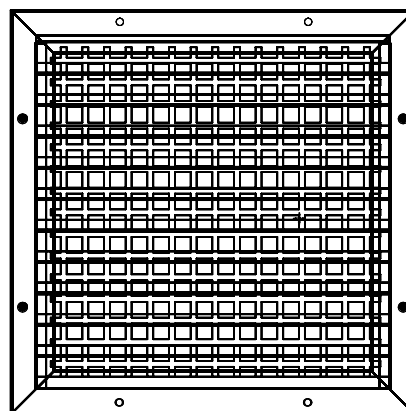
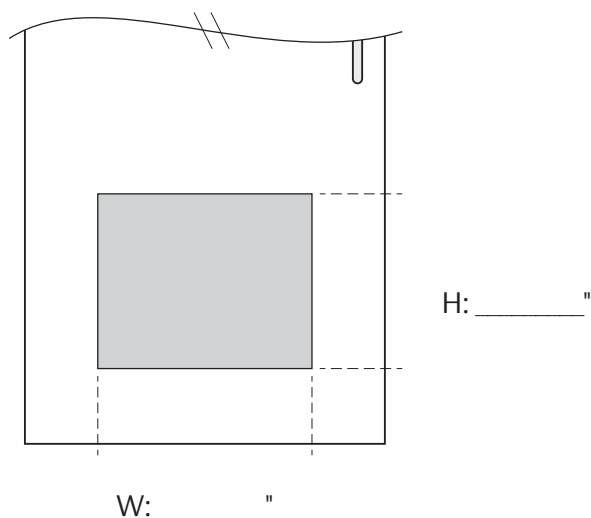
Account #: _____ Phone/Fax: _____ / _____

Email: _____ PO #: _____ Line #: _____

For 1 3/4" wood or metal door only. When ordering use Cutout dimensions only (Width x Height).

Please check box for partial shipment.

Custom Sizes (No stock sizes for LV-WS): Cutout Dimensions Only.



Minimum Width: 12" – Maximum Width: 34"

Minimum Length: 12" – Maximum Length: 78"

Finish (Bold indicates stock finish):

Beige Powder Coat **Dark Bronze Powder Coat**

Gray Primer Powder Coat

10BE BSP WSP WPC

RPC BPC FBPC 314E

Custom Powder Coat (Specify): _____

Fasteners: Standard

Options: Insect Screen

***Add on charge will apply for all finishes other than Beige, Dark Bronze, and Gray.**

300 Main Street
Rockwood, Pennsylvania 15557
P: 800.458.2424 • F: 800.922.9212
www.assaabloydooraccessories.us • orders.rockwood@assaabloy.com

Copyright © 2019, ASSA ABLOY Accessories and Door Controls Group, Inc. All rights reserved. Reproduction in whole or in part without the express written permission of ASSA ABLOY Accessories and Door Controls Group, Inc. is prohibited.