

Architectural Door Accessories

Rockwood Locking Pull System

ASSA ABLOY
Opening Solutions

Experience a safer
and more open world



LOCKING PULL SYSTEM

SIMPLE, DURABLE,
BEAUTIFUL DESIGN
FOR SWINGING AND
SLIDING DOORS

The Rockwood Locking Pull System integrates a contemporary Post Mount or GeoMetek style door pull with deadbolt locking. Engineered for smooth operation, the locking pull is manufactured to ensure strength and durability with clean appealing lines.



Unsurpassed
Craftsmanship

Features

- Key operated from outside; turn piece on inside
- Cylinder options: Yale® 1109 rim cylinder, Yale K680 SFIC housing, dummy or less cylinder
- Door types: $\frac{3}{8}$ " - $\frac{7}{8}$ " thick glass, $1\frac{3}{8}$ " - $2\frac{1}{2}$ " thick aluminum, hollow metal or wood doors
- Multiple locking options: floor, head or both
- Bolt location: 2" from face of door to centerline of bolt
- Bolt has $\frac{13}{16}$ " travel with fine adjustment
- Horizontal push/pull bar option
- Designed to Suite with Rockwood architectural door pulls and accessories
- Dummy versions available

Benefits

- Cylinder and thumbturn location eliminates physical strain when locking and unlocking
- Glass door applications secure the opening and allow for more natural light
- Bolt concealed inside pull provides a clean, streamlined look
- Simple door preparation allows for faster installation
- Suites with popular Rockwood door pulls, CORBIN RUSSWIN and SARGENT lever handles, McKinney hinges, creating a continuum of design
- Offers flexibility in custom sizes for a variety of applications



AESTHETIC OPTIONS



PostMount

LP3301 Series

PostMount - This basic post mounted pull is a clean and simple design. The simplicity adds contemporary beauty to standard entrance doors.



LP3401 Series

GripZone - This beautiful bright and brushed two-tone finish provides a "wear" area for gripping the pull. This minimizes the appearance of small scratches caused by rings and keys.



LP6061 Series

English Bridle Leather Wrapped - Authentic J & E Sedgwick & Co. Ltd. bridle leather imported from Walsall, England is hand sewn by a talented craftsman. Typically used for saddles and equestrian products, this smooth durable leather is suitable for both interior and exterior applications.



LP6161 Series

Upholstery Leather Wrapped - Supple yet durable leather makes a discriminating statement. Paired with the PostMount Locking Pull, this glove soft leather will add a level of sophistication to your interior.



GeoMetek

LP7901 Series

GeoMetek - This series offers a streamlined profile and crisp lines. The square pull complements the shape of the opening creating symmetrically balanced design.



LP6440 Series

Upholstery Leather Wrapped - Beautifully crafted, the GeoMetek and Upholstery Leather combination produces an elegant composition. The leather is tightly wrapped and neatly sewn on the back and is offered in a plethora of custom colors.



SUITING OPTIONS

The Locking Pull System was designed to suite with Rockwood Architectural door pulls, and accessories. In addition, complementary hardware is available through Corbin Russwin, Pemko Products, McKinney Products, and SARGENT.



McKinney two knuckle hinge with flat tips



Leather wrapped lever from Corbin Russwin and Sargent



Rockwood coat hook (left) and door stop (right)



Rockwood leather cabinet pull



Rockwood leather door pull



McKinney square barrel hinge



Square lever and rose from Corbin Russwin and Sargent



Rockwood coat hook (left) and door stop (right)



Square lever with return and rose from Corbin Russwin and Sargent



Rockwood door pull



the good design studio

The Good Design Studio — your resource for beautiful doors, frames and hardware from ASSA ABLOY Group brands. Visit www.thegooddesignstudio.com to learn more.

AESTHETIC OPTIONS

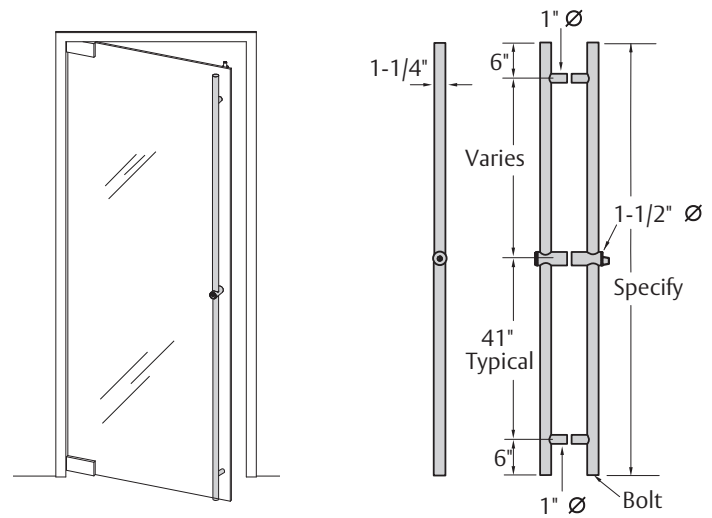


Full Height Pull - Single and Dual Bolt Models

FHD (Full Height Down) - Bolts Down

FHU (Full Height Up) - Bolts Up

FHB (Full Height Both) - Bolts Up and Down



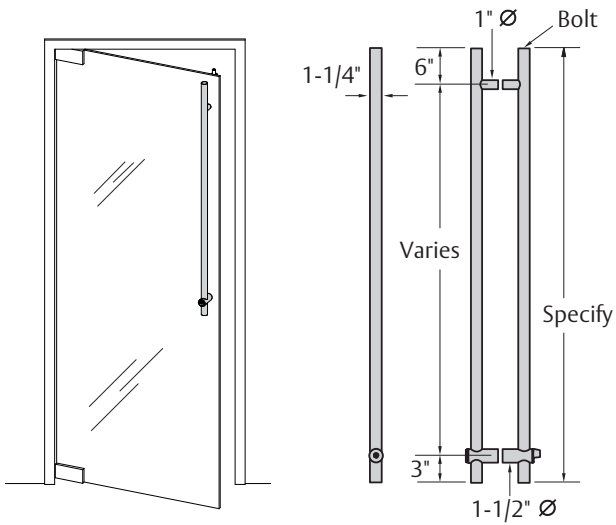
Notes:

1. Pulls are available in various sizes to fit job conditions. For ADA requirements, cylinder must be located 34" to 48" above finished floor.
2. Minimum clearance from pull to finished floor is 3/8" at factory settings.

SUITING OPTIONS

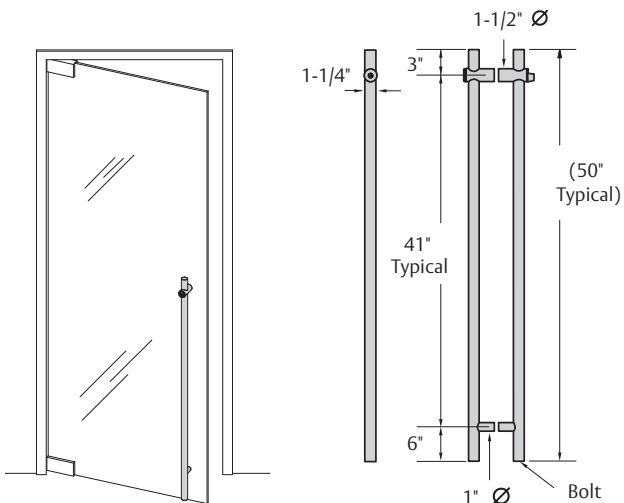
Half Height Pull - Bolts Up

DBU (Dead Bolt Up)



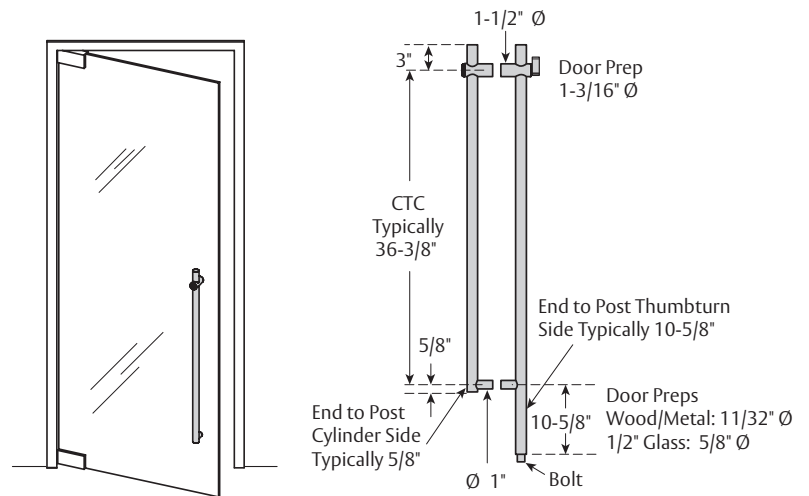
Half Height Pull - Bolts Down

DBD (Dead Bolt Down)

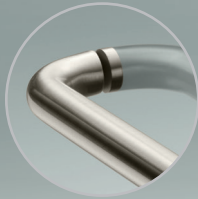


Clearance and Half Height Pull - Bolts Down (LP3305)

DBD (Dead Bolt Down)



HORIZONTAL PUSH/PULL BAR



Bent End



Features

- Horizontal push/pull bar option for locking pull system
- PostMount or bent end design offered
- Available for half height DBD and DBU models only*
 - Bar options - single sided (thumbturn or cylinder side only) and double sided (bar on both sides)
- Offered on aluminum, glass, hollow metal doors or wood doors

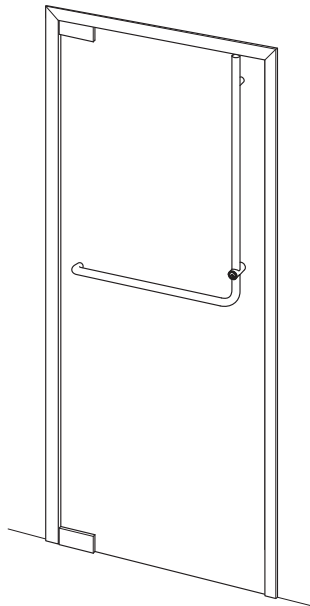
Benefits

- Keeps glass clean and free of hand prints
- Provides greater push/pull area while maintaining clean aesthetic
- Contemporary design that suites with popular Rockwood door pulls

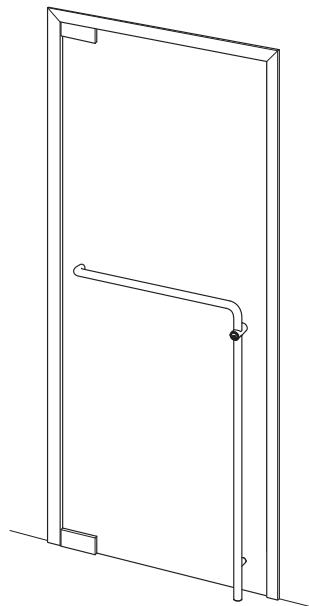
**Not offered on GeoMetek square style locking pull (LP7901 and LP6440)*

HORIZONTAL PUSH/PULL BAR

Single Sided (Thumbturn or Cylinder)

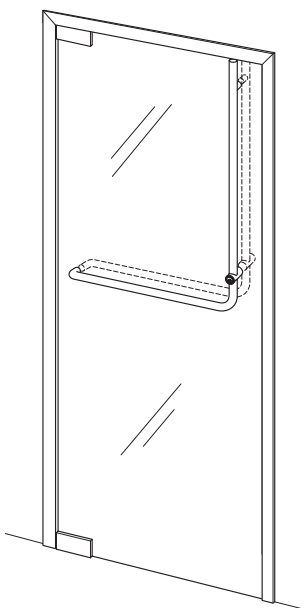


DBU (Dead Bolt Up)

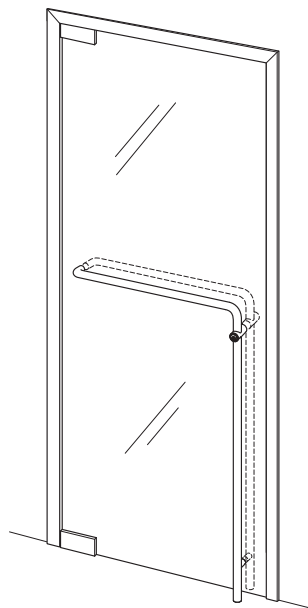


DBD (Dead Bolt Down)

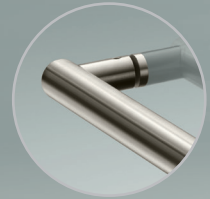
Double Sided



DBU (Dead Bolt Up)



DBD (Dead Bolt Down)



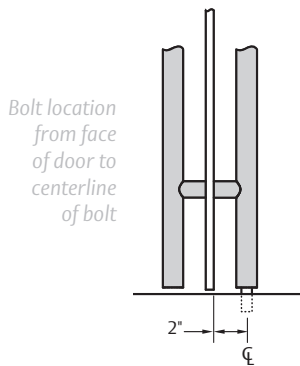
Post Mount



APPLICATION DETAILS

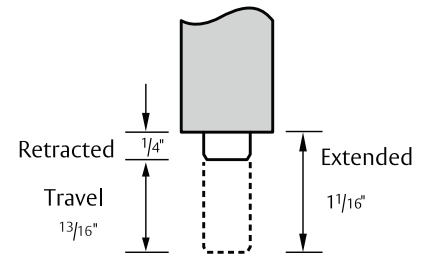
Glass doors

Location from Door



All glass door applications include a bushing and washer to insulate the glass from the pull. Sturdy fasteners securely attach the pull to the door making for a durable, trouble free installation. Simple glass prep requires two (or three) round holes.

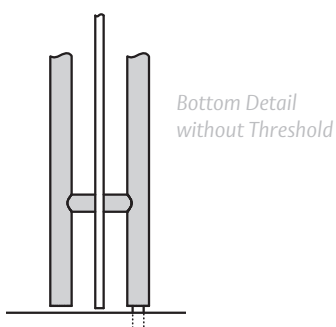
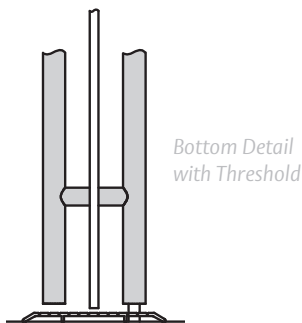
Bolt Adjustment



Adjusts $\frac{1}{4}"$ in and out from the shown factory settings.

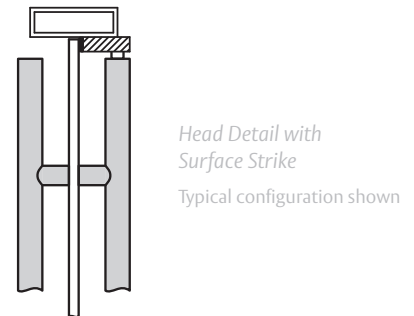
Bolt into Floor Models - Detail at Floor

- DBD - Half Height Pull - Bolts Down
- FHD - Full Height Pull - Bolts Down
- FHB - Full Height Pull - Bolts Up and Down



Bolt into Head Models - Detail at Head

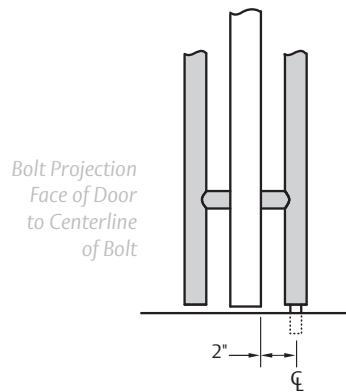
- DBU - Half Height Pull - Bolts Up
- FHU - Full Height Pull - Bolts Up
- FHB - Full Height Pull - Bolts Up and Down



APPLICATION DETAILS

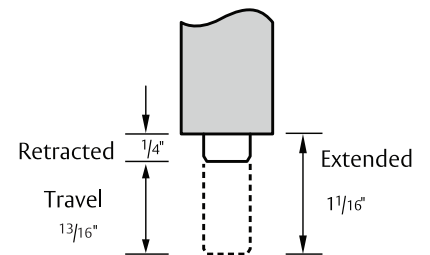
Aluminum, wood and hollow metal doors

Location from Door



Locking pulls are available for 1³/₈" to 2¹/₂" thick aluminum, wood or hollow metal doors.

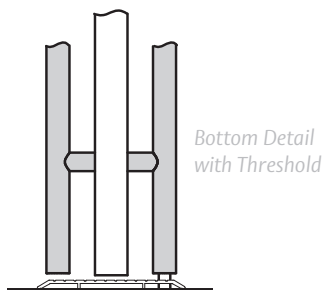
Bolt Adjustment



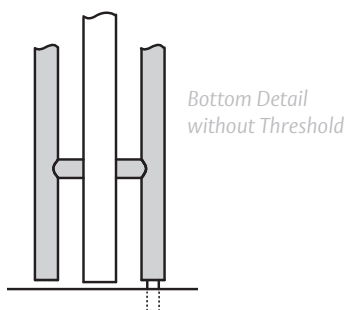
Adjusts 1/4" in and out from the shown factory settings.

Bolt into Floor Models - Detail at Floor

- DBD - Half Height Pull - Bolts Down
- FHD - Full Height Pull - Bolts Down
- FHB - Full Height Pull - Bolts Up and Down



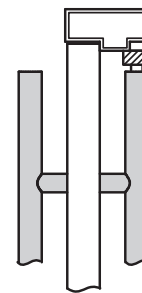
Bottom Detail with Threshold



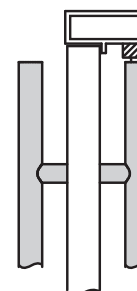
Bottom Detail without Threshold

Bolt into Head Models - Detail at Head

- DBU - Half Height Pull - Bolts Up
- FHU - Full Height Pull - Bolts Up
- FHB - Full Height Pull - Bolts Up and Down



Hollow Metal Frame Head Detail with Surface Strike
Typical configuration shown



Aluminum Frame Head Detail with Surface Strike (single acting offset pivot)
Typical configuration shown

APPLICATION DETAILS

Installation reference



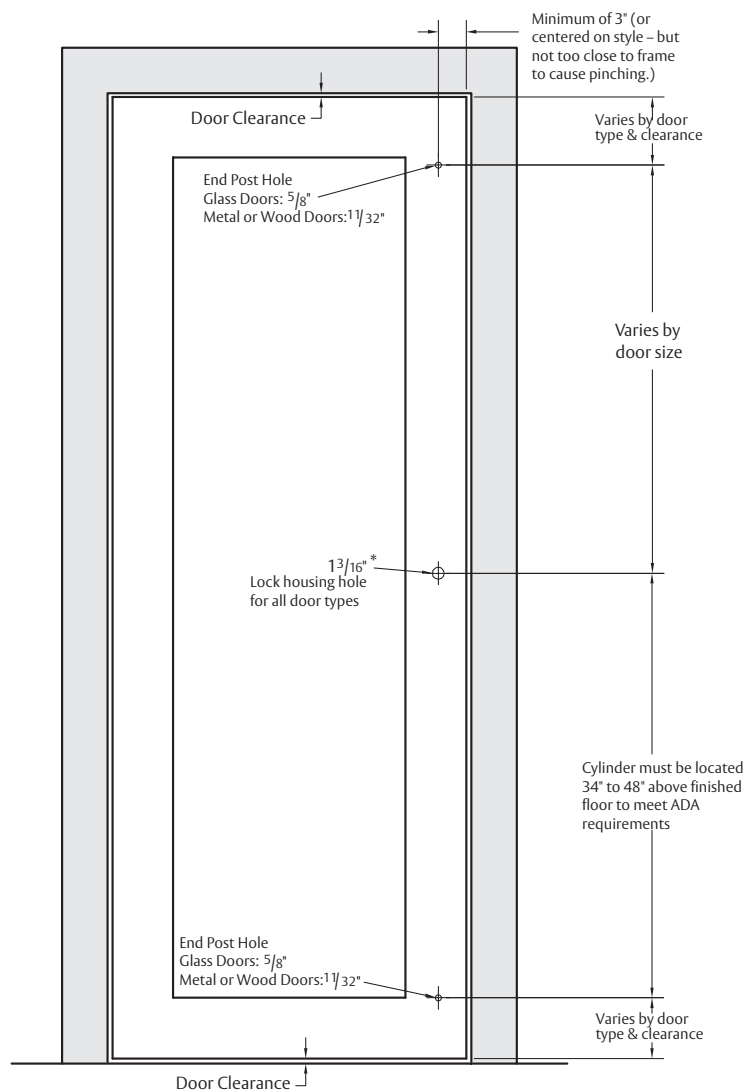
Holes Sizes Required

Glass Door

- End Posts: $\frac{5}{8}$ " \varnothing
for $\frac{1}{2}$ " glass thickness
- Lock Housing: $1\frac{3}{16}$ " \varnothing

Aluminum, Wood, Hollow Metal Doors:

- End Posts: $\frac{11}{32}$ "
- Lock Housing: $1\frac{3}{16}$ "



Notes:

1. Only drill the holes required for the model you are installing.
2. Only full height locking pulls require all three holes.

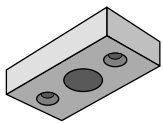
APPLICATION DETAILS

Strike options

Top Strike Options

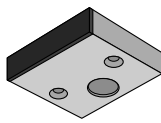
Custom Strikes Available

LPS01



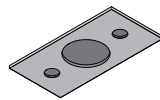
- $\frac{3}{4}$ " x $1\frac{1}{2}$ " x 3"

LPS02



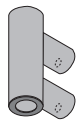
- $\frac{3}{4}$ " x $2\frac{1}{2}$ " x 3"
- Rubber Stop

LPS03



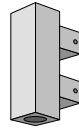
- $.050$ " x $1\frac{1}{8}$ " x $2\frac{1}{4}$ "

LPS04



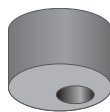
- $1\frac{1}{4}$ " dia. x $4\frac{1}{2}$ " h

LPS05



- $1\frac{1}{4}$ " sq. x $4\frac{1}{2}$ " h

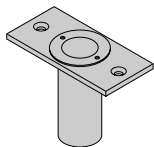
LPS06



- 2" dia

Bottom Strike Option

570



Dust Proof Strike

Face Plate: $1\frac{3}{8}$ " x $2\frac{7}{8}$ "



ORDERING INFORMATION

Series*	Description
LP3301	Plain PostMount
LP3305**	Plain PostMount Clearance
LP3401	PostMount GripZone
LP6061	PostMount English Bridle Leather Wrapped
LP6161	PostMount Upholstery Leather Wrapped
LP7901	Plain GeoMetek
LP6440	GeoMetek Upholstery Leather Wrapped

*Specify "DP" in front of series number for dummy locking pull. Example: DP3301

**LP3305 offered with DBD only.

Options	Code*
Large Thumbturn	ADA
Thumbturn Only, No Cylinder	TT
Custom Engraving	CE

*Specify code after suffix



Suffix	Description
DBD	Half Height, Bolts Down
DBU	Half Height, Bolts Up
FHD	Full Height, Bolts, Down
FHU	Full Height, Bolts Up
FHB	Full Height, Bolts Up and Down

Cylinder Options	Code
Yale® 1109 rim cylinder, 6-pin, 1147 tailpiece, E1R keyway (keyed random)	01
Yale® K680 Small format interchangeable core housing (SFIC) Standard	02
Yale® K680 Small format interchangeable core housing, w/ plastic construction core (SFIC)	03
Supplied cylinder	05
Dummy cylinder	07
7 Pin SFIC Housing with Yale Core	09

Push Bar Suffix*	Description
BEPT	Bent End Horizontal Bar - Thumbturn Side
BEPC	Bent End Horizontal Bar - Cylinder Side
BEPB	Bent End Horizontal Bar - Both Sides
PMPT	Post Mount Horizontal Bar - Thumbturn Side
PMPC	Post Mount Horizontal Bar - Cylinder Side
PMPB	Post Mount Horizontal Bar - Both Sides

*Available on DBD and DBU models only. Not offered with LP7901 or LP6440. Specify horizontal CTC and handing; sized to order.

How to Order Example:

For a quick and efficient ordering process, use the order forms on assaabloydooraccessories.us (Resource Library > Order Forms > Rockwood Products).

Quantity	Series	Suffix	Push Bar Suffix	Finish	Door Material	Door Thickness	Device Dimensions	Door Clearance	Strike	Cylinder
1	LP3301	DBD	BEPT	630	Glass	1/2"	83 1/2"	1/4" at Bottom	None	01
2	LP7901	DBD	N/A	629	Wood	1 3/4"	93 1/4"	1/8" at Top	LPS02	

Glass Door Thickness - 3/8" to 7/8"

Aluminum, Wood, Metal Door Thickness - 1 3/8" to 2 1/2"

ORDERING INFORMATION

PostMount Finishes:

Polished Brass	605	(US3)
Satin Brass	606	(US4)
Satin Oxidized Clear Coated	614	(US10BL)
Dark Satin Bronze Equivalent	613E	(US10BE)
Polished Stainless Steel	629	(US32)
Satin Stainless Steel	630	(US32D)
Satin Stainless Steel with MicroShield®	–	(US32DMS)
Polished Stainless Steel with MicroShield®	–	(US32MS)
Black Suede Powder Coat	BSP	
White Suede Powder Coat	WSP	
Stock Powder Coats		

GeoMetek Finishes:

Dark Satin Bronze Equivalent	613E	(US10BE)
Polished Stainless Steel	629	(US32)
Satin Stainless Steel	630	(US32D)
Satin Stainless Steel with MicroShield®	–	(US32DMS)
Polished Stainless Steel with MicroShield®	–	(US32MS)
Black Suede Powder Coat	BSP	
White Suede Powder Coat	WSP	
Stock Powder Coats		

Leather Finish Standard Color Selections:

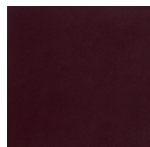
English Bridle Leather



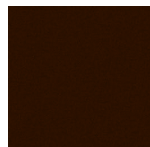
B-LBRN
(Light Brown)



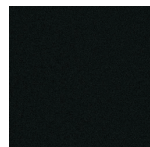
B-BUR
(Burgundy)



B-MBRN
(Medium Brown)

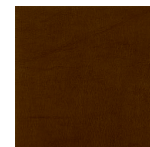


B-DBRN
(Dark Brown)



B-BLK
(Black)

Upholstery Leather



U-DBRN
(Dark Brown)



U-BLK
(Black)

Custom colors available

Accessories

(Ordered separately)

- LPS01 Top Strike
- LPS02 Top Strike
- LPS03 Top Strike
- LPS04 Transom Strike
- LPS05 Transom Strike
- LPS06 Mortised Header Strike
- 570 Dust Proof Bottom Strike
- RM850 Door Stop
- Custom Strikes for unique conditions
- ADA Thumbturn



570 Dust Proof
Bottom Strike



RM850 Door Stop

Thumbturns:



PostMount Thumbturn
(comes standard)



GeoMetek Thumbturn
(comes standard)



ADA Thumbturn
(PostMount only,
ordered as a suffix)



MicroShield®

As part of their promise to provide innovative solutions to their customers, certain ASSA ABLOY Group brands offer the MicroShield® technology, a silver-based antimicrobial coating designed to inhibit the growth of bacteria.

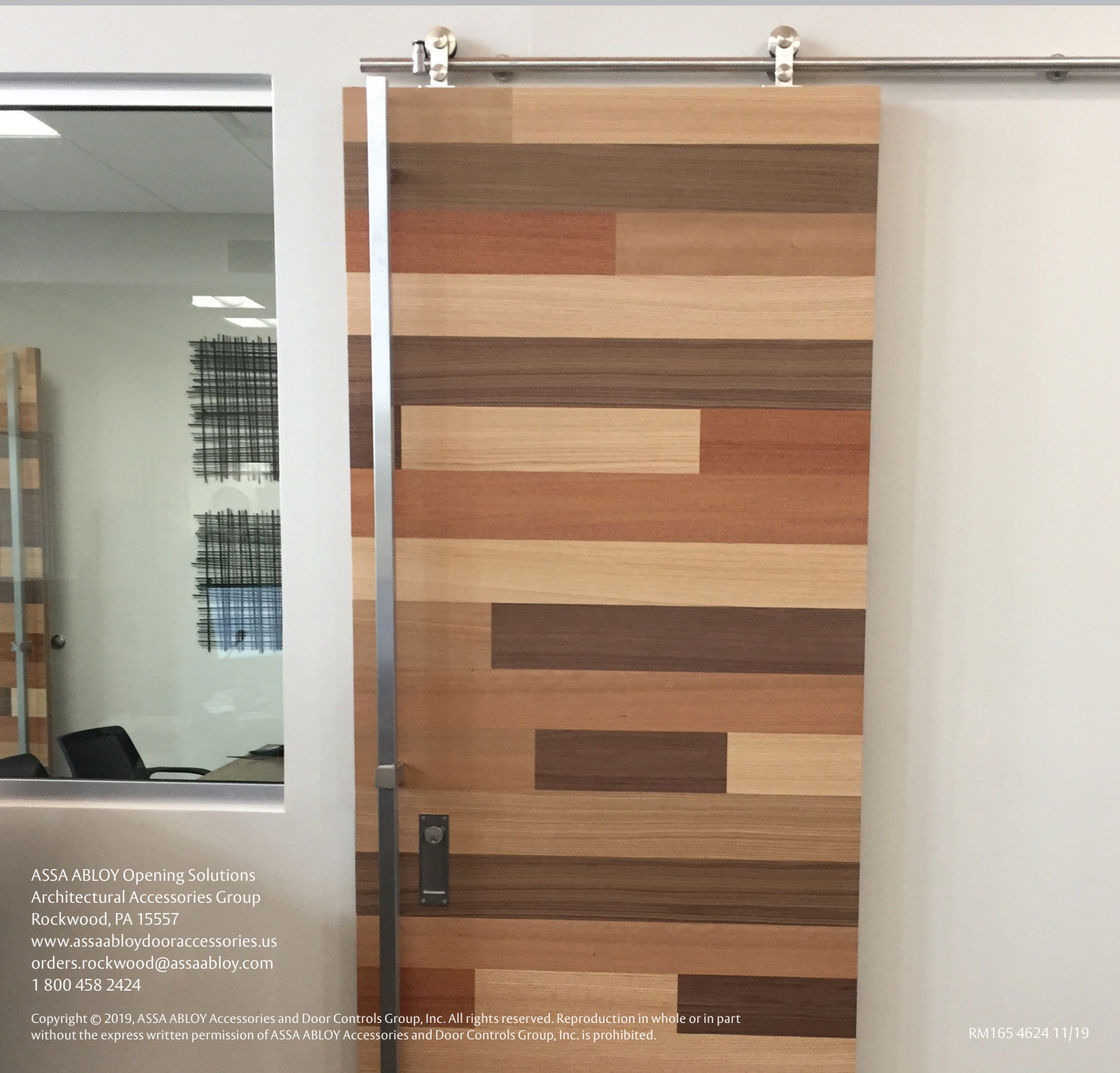
MicroShield® is a registered trademark of Yale Security Inc., an ASSA ABLOY Group company.

Contact your local ASSA ABLOY Door Security Solutions team for more information on our Locking Door Pull systems or other Rockwood products.

The ASSA ABLOY Group is the global leader in access solutions. Every day, we help billions of people experience a more open world.

ASSA ABLOY
Opening Solutions

ASSA ABLOY Opening Solutions leads the development within door openings and products for access solutions in homes, businesses and institutions. Our offering includes doors, frames, door and window hardware, locks, perimeter fencing, access control and service.



ASSA ABLOY Opening Solutions
Architectural Accessories Group
Rockwood, PA 15557
www.assaabloydooraccessories.us
orders.rockwood@assaabloy.com
1 800 458 2424

Copyright © 2019, ASSA ABLOY Accessories and Door Controls Group, Inc. All rights reserved. Reproduction in whole or in part without the express written permission of ASSA ABLOY Accessories and Door Controls Group, Inc. is prohibited.

RM165 4624 11/19