

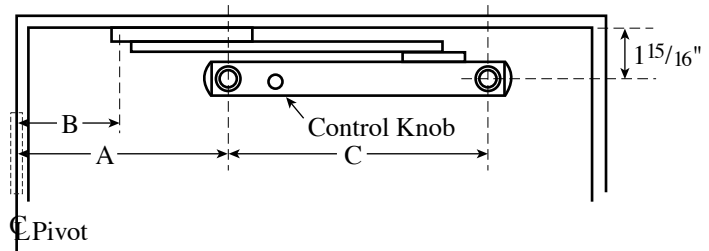
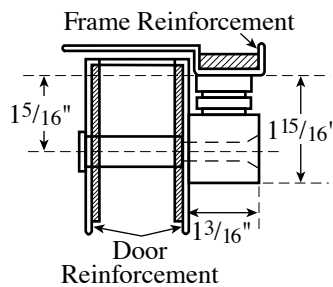
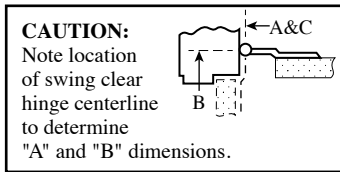
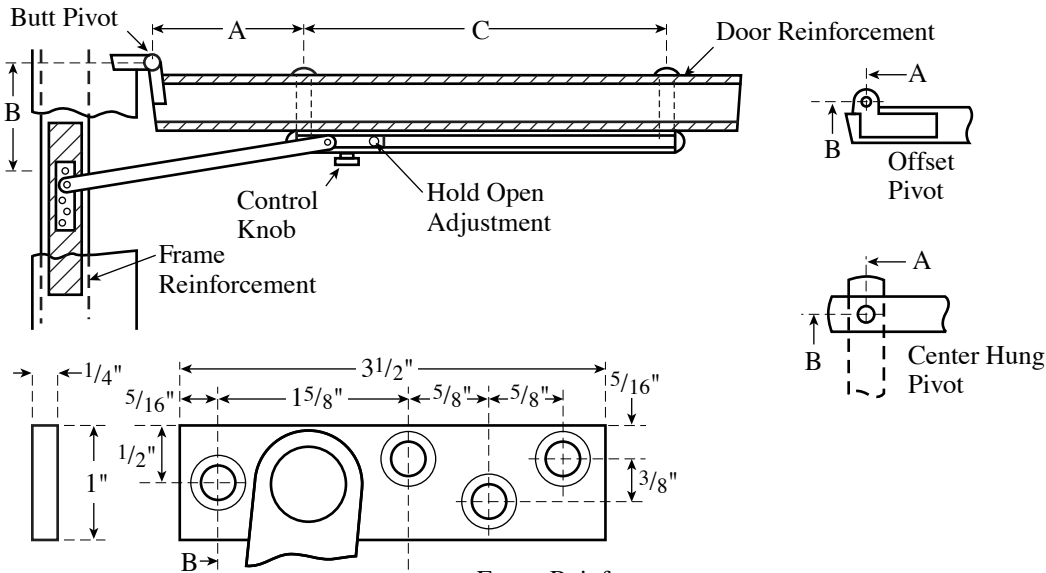
Architectural Door Accessories

ASSA ABLOY

Rockwood OH900 Series Surface Mounted Door Stops and Holders

The global leader in
door opening solutions

NOT TO SCALE



INSTALLATION INSTRUCTIONS

1. Select and determine degree of hold open or dead stop from chart on opposite side of page.
2. Locate "A" and "B" dimensions on door and frame.
3. Install jamb bracket on stop strip as shown.
4. Position channel on door with shock end located towards pivot.
Drill $1/2$ " dia. sex bolt hole, "A" dimension, $15/16$ " down from stop strip as shown.
5. Install channel on door with "A" dimension sex bolt. Locate "C" dimension sex bolt hole making sure that channel is horizontal and parallel with stop strip. Drill $1/2$ " dia. sex bolt hole and finish installing holder. Install control knob on channel as shown.

NOTES:

- All hollow metal frames should be properly reinforced with $3/16$ " min. thickness x 12" min. length reinforcement plates.
- All hollow metal doors should be properly reinforced with $2 1/2$ " wide x $3/16$ " min. thick x full width of door reinforcement plates.
- All drilling and tapping to be done in field.
- Suggest mounting door stop or holder first and then other hardware to clear. Contact factory if interference results with other hardware.
- Left hand shown – right hand opposite. (Note hole pattern in jamb bracket).

Template T-OH900

Effective date: January 1, 2017
Supersedes: All Previous

NOTE: ASSA ABLOY reserves the right to make product changes and is not responsible for obsolete template errors. To ensure your template is current, please visit our website at www.rockwoodmfg.com or call us at 800-458-2424

FASTENERS NOTE:

Jamb: $\#1/4$ -20 x $3/4$ " Flat Head Machine Screws or $\#14$ x $1 1/2$ " Flat Head Wood Screws (Four Places)
Door: $5/16$ "-18 x 2" Flat Head Machine Screws and $\varnothing 1/2$ " Sex Bolt (Two Places)



Rockwood OH900 Series Surface Mounted Door Stops and Holders (cont.)

1. See other side for installation instructions.
2. Select proper dimensions noted below.
3. All drilling and tapping to be done in field.
4. All dimensions given in inches.

Reversible, non-handed.

H.O. = Hold Open
D.S. = Dead Stop

1 3/4 - 2 1/4 Butts & 3/4 Offset Pivot	Device Number		Degree	85°				90°				95°				100°				105°				110°				C	
				H.O.		D.S.		H.O.		D.S.		H.O.		D.S.		H.O.		D.S.		H.O.		D.S.		H.O.		D.S.			
	H.O.	Stop	Door Opening	A	B	A	B	A	B	A	B	A	B	A	B	A	B	A	B	A	B	A	B	A	B	A	B		
901H	901S	24 - 28	4 1/4	4 3/4	4 7/8	4 3/4	3 7/8	4 3/8	4 1/2	4 3/8	3 9/16	4 1/16	4 3/16	4 1/16	3 3/16	3 13/16	3 15/16	3 13/16	-	-	-	-	-	-	-	-	-	-	15 15/16
902H	902S	28 1/16 - 33	6 1/8	5 7/8	6 3/4	5 7/8	5 11/16	5 7/16	6 5/16	5 7/16	5 3/8	5 1/8	6	5 1/8	5 1/16	4 13/16	5 11/16	4 13/16	4 3/4	4 1/2	5 3/8	4 1/2	4 9/16	4 3/16	5 3/16	4 5/16	17 3/16		
903H	903S	33 1/16 - 38	9 3/4	7 1/4	10 3/8	7 1/4	9 1/4	6 3/4	9 7/8	6 3/4	8 13/16	6 5/16	9 7/16	6 5/16	8 7/16	5 15/16	9 1/16	5 15/16	8 1/8	5 5/8	8 3/4	5 5/8	7 7/8	5 3/8	8-1/2	5 3/8	18 11/16		
904H	904S	38 1/16 - 43	12 11/16	9 1/8	13 5/16	9 1/8	12 1/8	8 1/2	12 3/4	8 1/2	11 5/8	8	12 1/4	8	11 3/16	7 9/16	11 13/16	7 9/16	10 13/16	7 3/16	11 7/16	7 3/16	10 1/2	6 7/8	11 1/8	6 7/8	20 13/16		
905H	905S	43 1/16 - 48	16 1/4	10 3/8	16 7/8	10 3/8	15 5/8	9 3/4	16 1/4	9 3/4	15	9 1/8	15 5/8	9 1/8	14 1/2	8 5/8	15 1/8	8 5/8	14 1/16	8 3/16	14 11/16	8 3/16	13 11/16	7 3/16	14 5/16	7 3/16	22 5/16		

NOTE: A, B, and C dimensions measured from centerline of pivot, not edge of door.

1 3/4 - 2 1/4 Center Hung	Device Number		Degree	85°				90°				95°				100°				105°				110°				C
				H.O.		D.S.		H.O.		D.S.		H.O.		D.S.		H.O.		D.S.		H.O.		D.S.		H.O.		D.S.		
	H.O.	Stop	Door Opening	A	B	A	B	A	B	A	B	A	B	A	B	A	B	A	B	A	B	A	B	A	B	A	B	
901H	901S	25 1/2 - 30	5 1/16	5 9/16	5 11/16	5 9/16	4 3/4	5 1/4	5 3/8	5 1/4	4 7/16	4 15/16	5 1/16	4 15/16	4 3/16	4 11/16	4 13/16	4 11/16	3 15/16	4 7/16	4 9/16	4 7/16	3 11/16	4 3/16	4 5/16	4 3/16	15 15/16	
902H	902S	30 1/16 - 36	6 7/8	6 1/2	7 1/2	6 1/2	6 1/2	6 1/8	7 1/8	6 1/8	6 1/8	5 3/4	6 3/4	5 3/4	5 13/16	5 7/16	6 7/16	5 7/16	5 9/16	5 3/16	6 3/16	5 3/16	5 3/16	4 15/16	5 15/16	4 15/16	17 3/16	
903H	903S	36 1/16 - 41	10 1/2	8	11 1/8	8	10	7 1/2	10 5/8	7 1/2	9 9/16	7 1/16	10 3/16	7 1/16	9 3/16	6 11/16	9 13/16	6 11/16	8 7/8	6 3/8	9 1/2	6 3/8	8 9/16	6 1/16	9 3/16	6 1/16	18 11/16	
904H	904S	41 1/16 - 46	13 3/8	9 3/4	14	9 3/4	12 13/16	9 3/16	13 7/16	9 3/16	12 5/16	8 11/16	12 15/16	8 11/16	11 13/16	8 3/16	12 7/16	8 3/16	11 7/16	7 13/16	12 1/16	7 13/16	11 1/8	7 1/2	11 3/4	7 1/2	20 13/16	
905H	905S	46 1/16 - 50	17 1/16	11 3/16	17 11/16	11 3/16	16 3/8	10 1/2	17	10 1/2	15 3/4	9 7/8	16 3/8	9 7/8	15 1/4	9 3/8	15 7/8	9 3/8	14 3/4	8 7/8	15 3/8	8 7/8	14 3/8	8 1/2	15	8 1/2	22 5/16	