

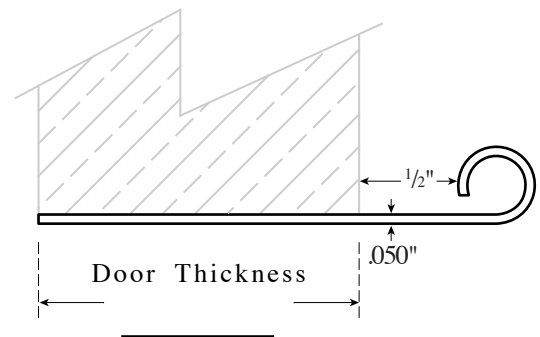
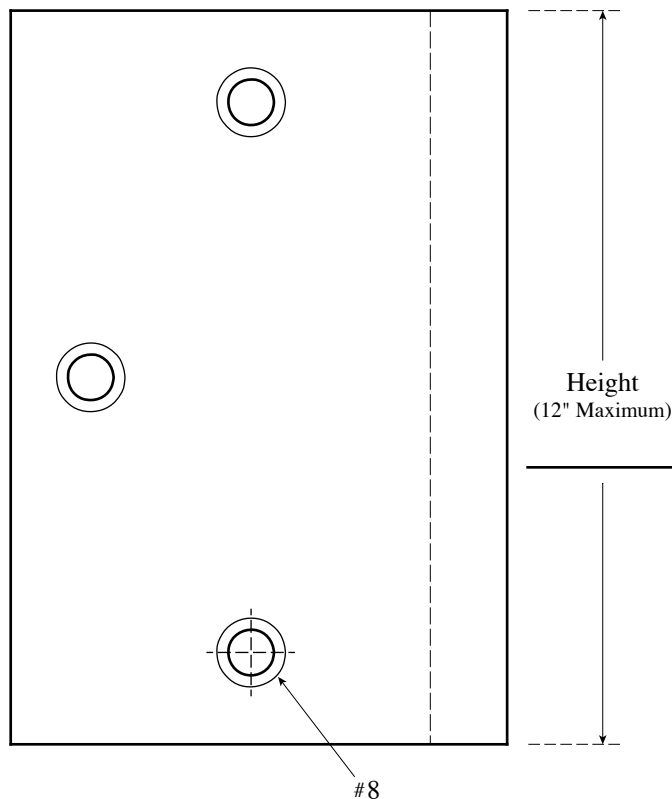
## Rockwood RM751 Flat Edge Pull Order Form

The global leader in  
door opening solutions

Fill out this form and email to: [orders.rockwood@assaabloy.com](mailto:orders.rockwood@assaabloy.com) / or fax to: 800-922-9212

### Customer Information

Contact Name: \_\_\_\_\_ Date: \_\_\_\_\_  
 Company Name: \_\_\_\_\_ Account #: \_\_\_\_\_  
 Street Address: \_\_\_\_\_ Phone/Fax: \_\_\_\_\_ / \_\_\_\_\_  
 City/State/Zip: \_\_\_\_\_ Email: \_\_\_\_\_



Quantity: \_\_\_\_\_ Finish: \_\_\_\_\_

**Customer Note:** If solid edge required please specify size:     A =  $\varnothing 5/16"$      B =  $\varnothing 3/8"$      C =  $\varnothing 1/2"$

**Customer Note:** Please specify thickness of any cladding material being used on the door.