

Rockwood RM754 Bevel Edge Pull Order Form

The global leader in
door opening solutions

Fill out this form and email to: orders.rockwood@assaabloy.com / or fax to: 800-922-9212

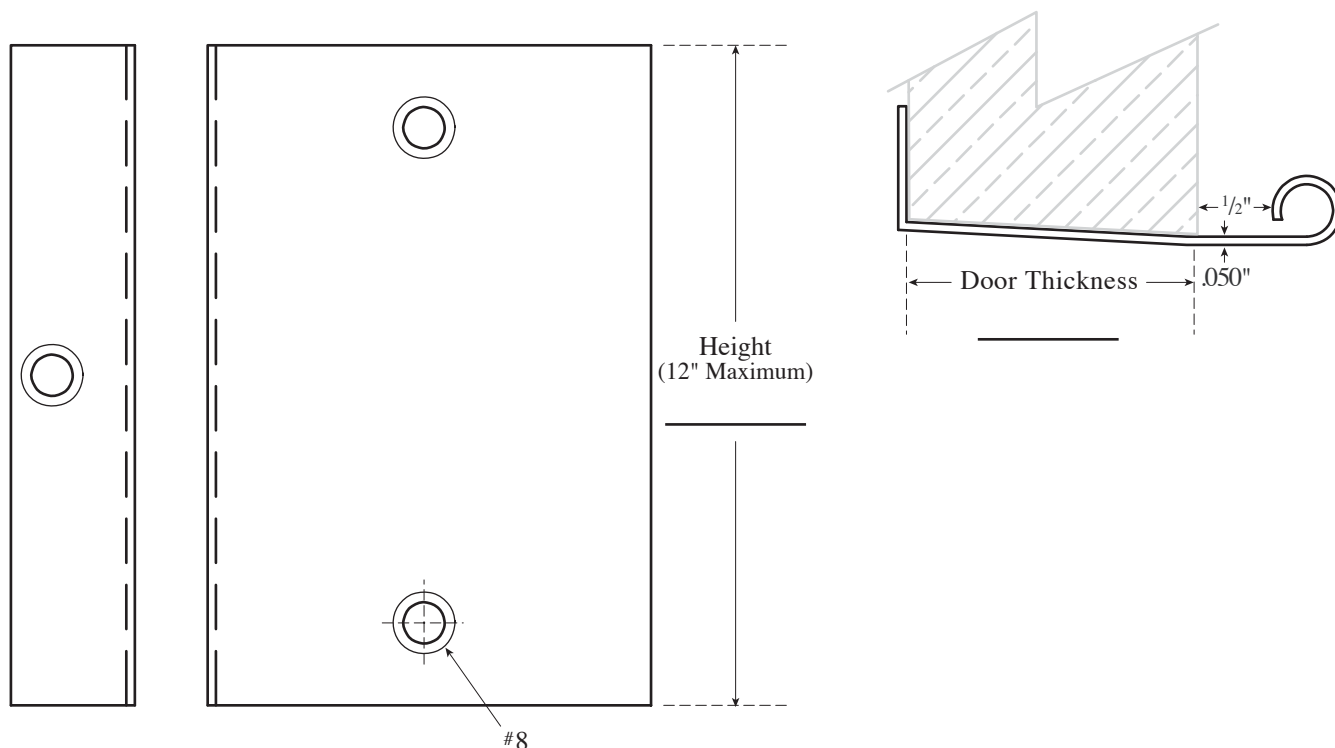
Customer Information

Contact Name: _____ Date: _____

Company Name: _____ Account #: _____

Street Address: _____ Phone/Fax: _____ / _____

City/State/Zip: _____ Email: _____



Quantity: _____ **Finish:** _____

Customer Note: If solid edge required please specify size: A = $\varnothing 5/16"$ B = $\varnothing 3/8"$ C = $\varnothing 1/2"$

Customer Note: Please specify thickness of any cladding material being used on the door.