

# Architectural Door Accessories

**ASSA ABLOY**

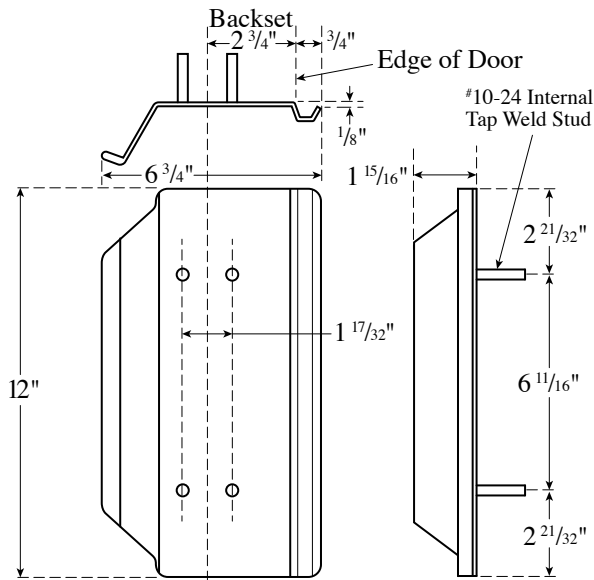
## VRT14/VRT14C for Sargent 8800 Series Exit Devices

The global leader in  
door opening solutions

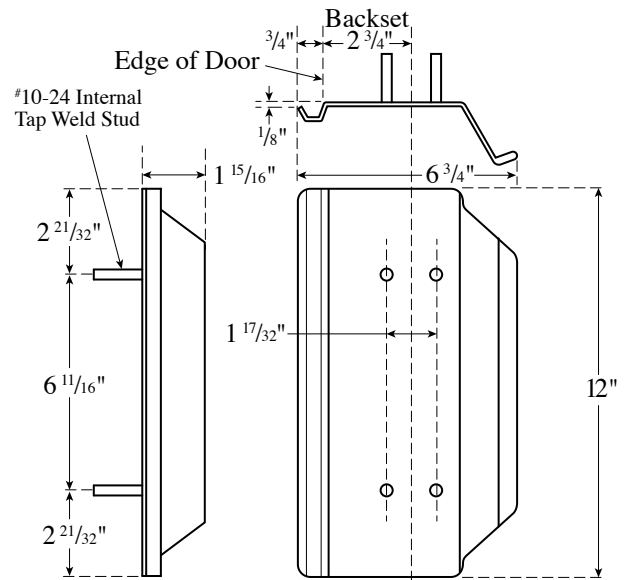
Complete this form and email to: [orders.rockwood@assaabloy.com](mailto:orders.rockwood@assaabloy.com) / or fax to: 800-922-9212

### Customer Information

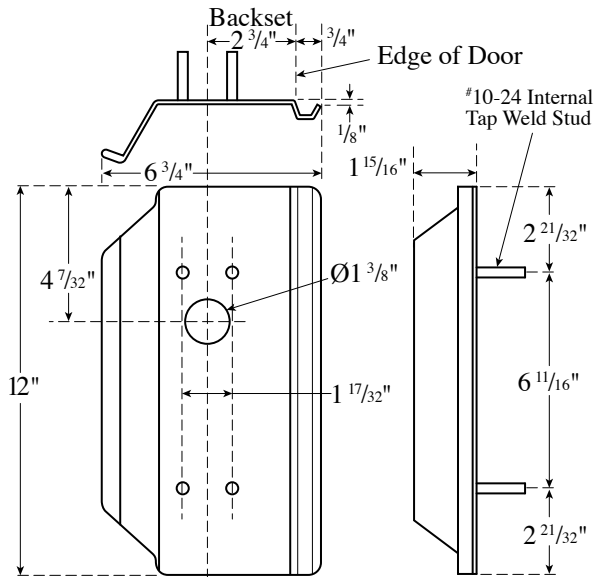
Company Name: \_\_\_\_\_ Date: \_\_\_\_\_  
 Account #: \_\_\_\_\_ Phone/Fax: \_\_\_\_\_ / \_\_\_\_\_  
 Email: \_\_\_\_\_ PO #: \_\_\_\_\_ Line #: \_\_\_\_\_



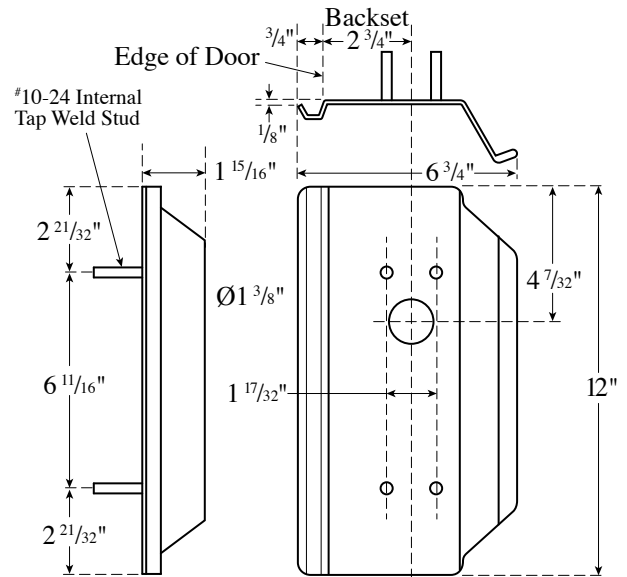
LHR: QTY \_\_\_\_\_ Finish \_\_\_\_\_



RHR: QTY \_\_\_\_\_ Finish \_\_\_\_\_



LHR: QTY \_\_\_\_\_ Finish \_\_\_\_\_



RHR: QTY \_\_\_\_\_ Finish \_\_\_\_\_

Note: If custom dimension please provide further information.

300 Main Street  
 Rockwood, Pennsylvania 15557  
 P: 800.458.2424 | F: 800.922.9212  
[www.assaabloydooraccessories.us](http://www.assaabloydooraccessories.us) | [orders.rockwood@assaabloy.com](mailto:orders.rockwood@assaabloy.com)

Copyright © 2018, ASSA ABLOY Accessories and Door Controls Group, Inc. All rights reserved. Reproduction in whole or in part without the express written permission of ASSA ABLOY Accessories and Door Controls Group, Inc. is prohibited.