

S20020 SPECIAL EXTENSION ORDER FORM

ORDER DATE:

CUSTOMER NAME:

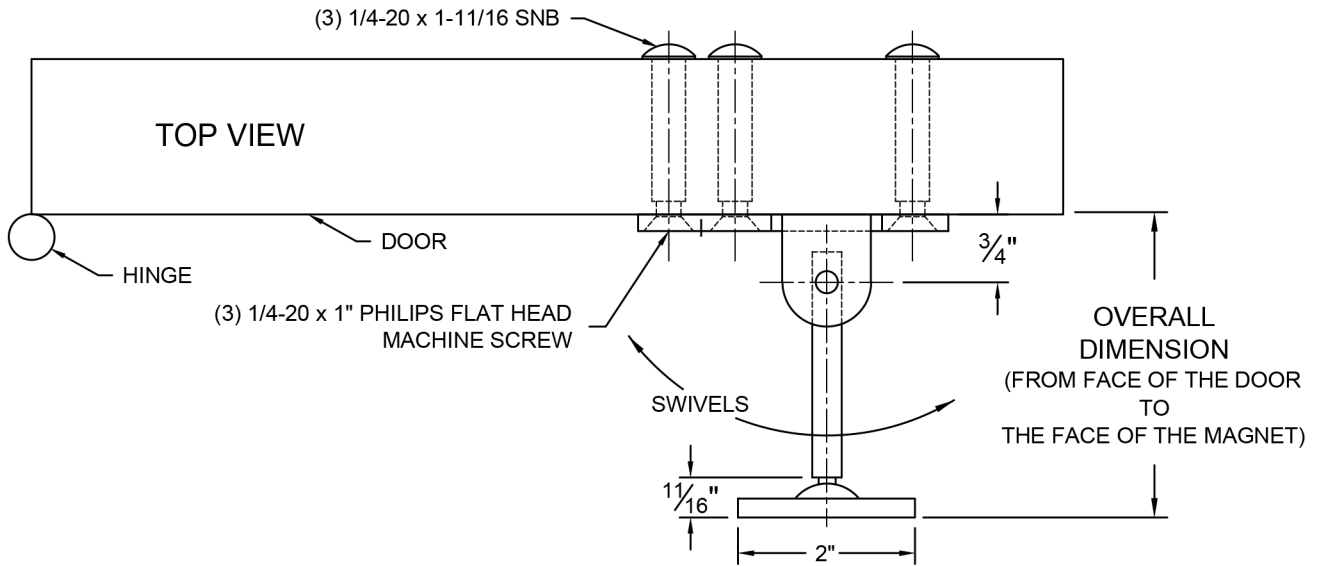
CUSTOMER P.O. #:

FINISH:

OVERALL DIMENSION (SEE TOP VIEW):

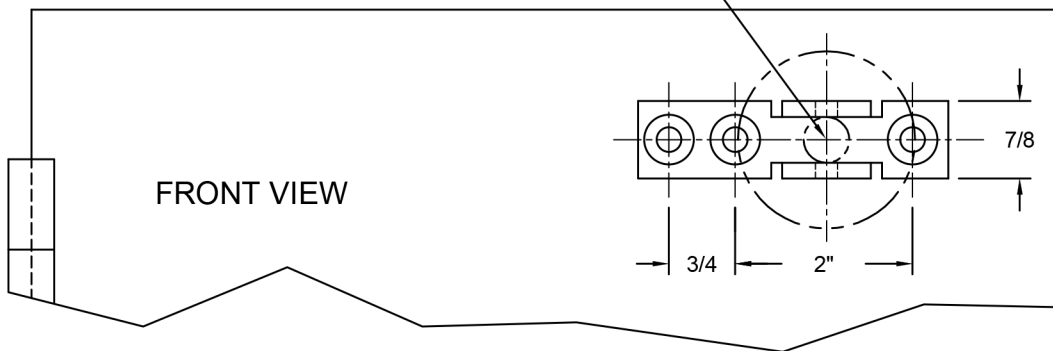
QUANTITY:

CUSTOMER SIGNATURE:



TO BE MOUNTED HORIZONTALLY ON PULL SIDE OF DOOR

CENTER LINES OF ARMATURE MUST LINE UP WITH CENTER LINES OF MAGNET



ABH[®]
MANUFACTURING INC.

www.abhmfg.com

Architectural Builders Hardware Mfg., Inc.

1222 Ardmore Ave., Itasca, IL 60143

630-875-9900 • FAX 800-9FAXABH (932-9224)

- Download File from Website
- Fill out form
- SUBMIT