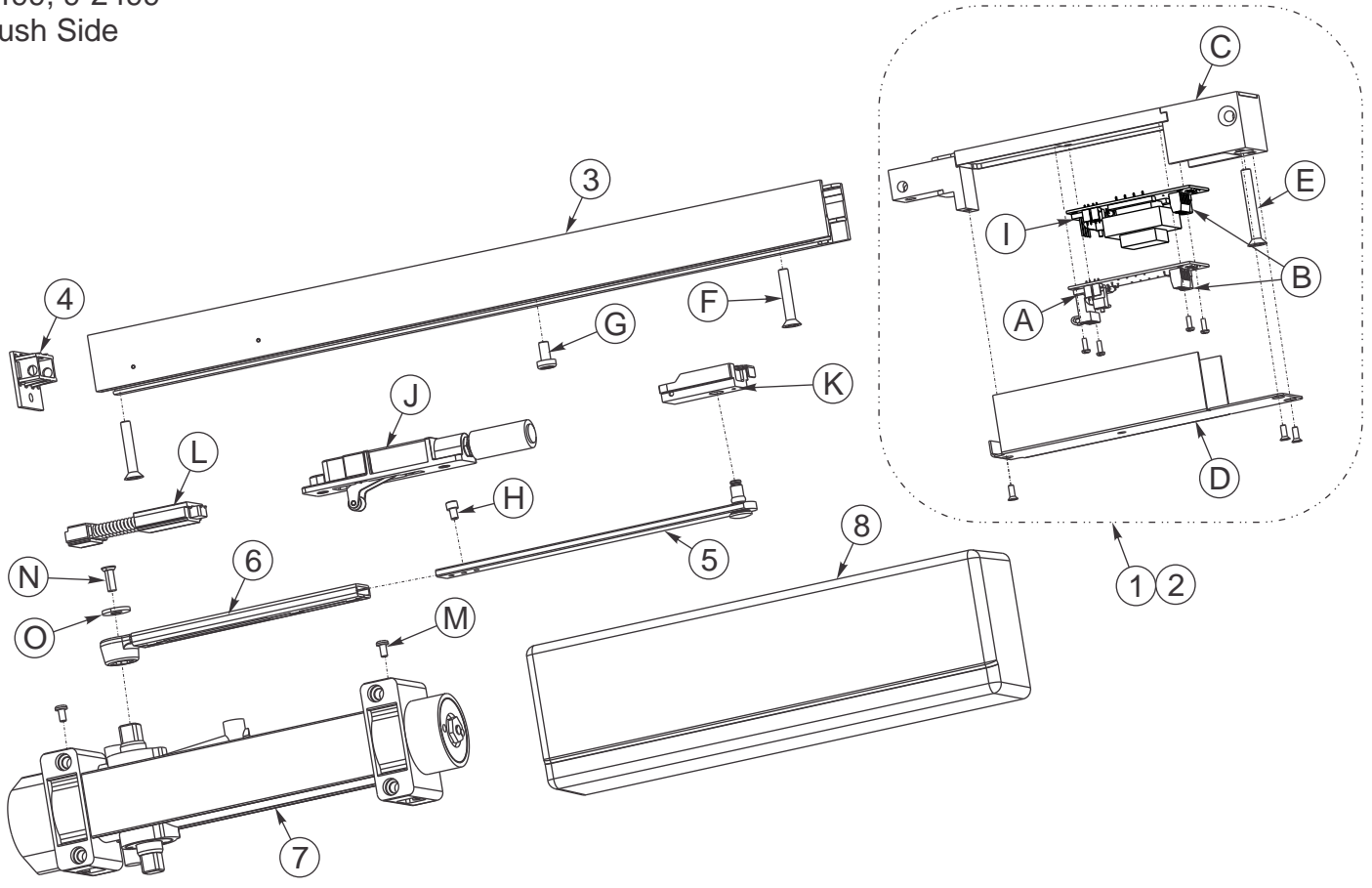
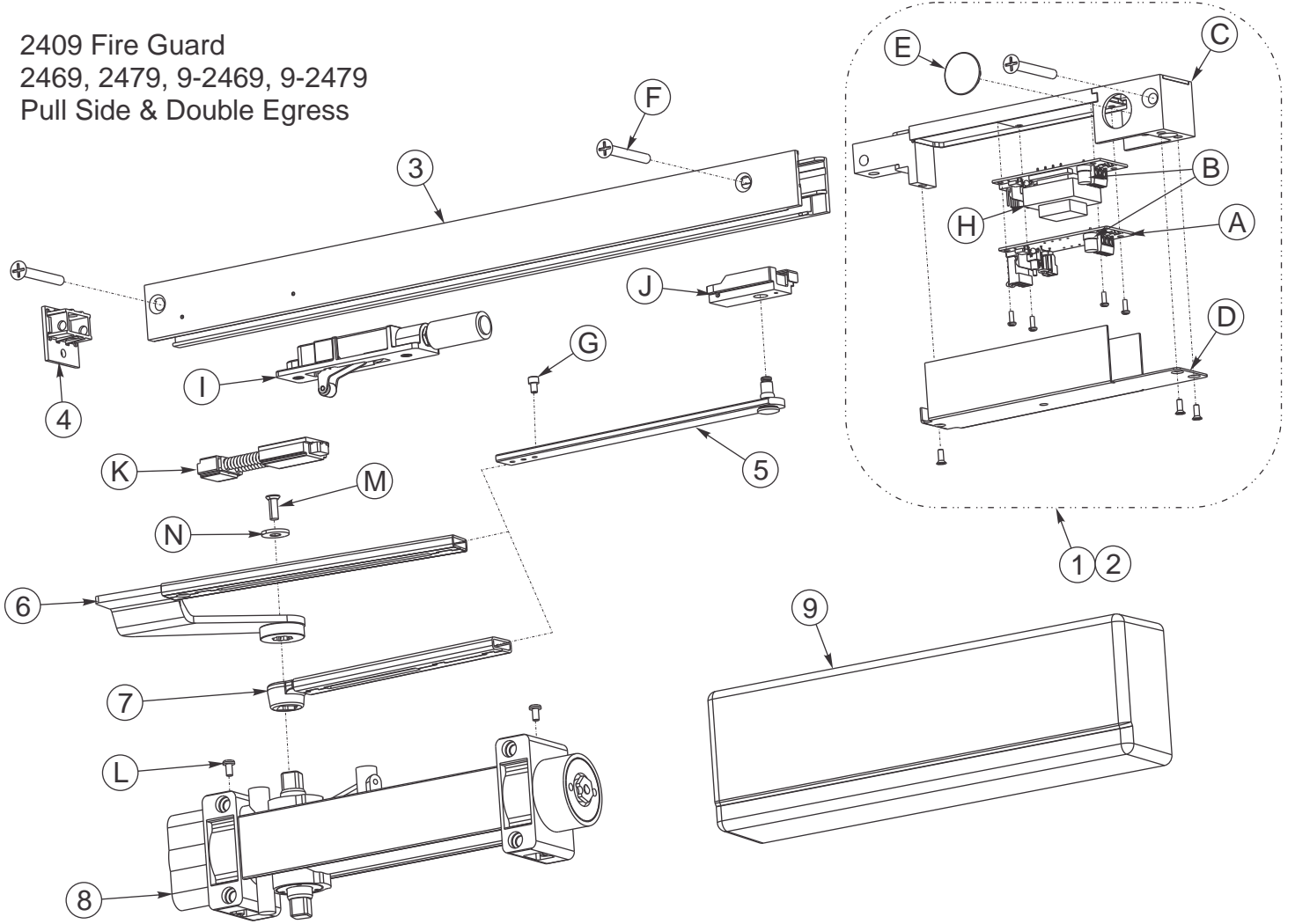


2409 Fire Guard
 2499, 9-2499
 Push Side



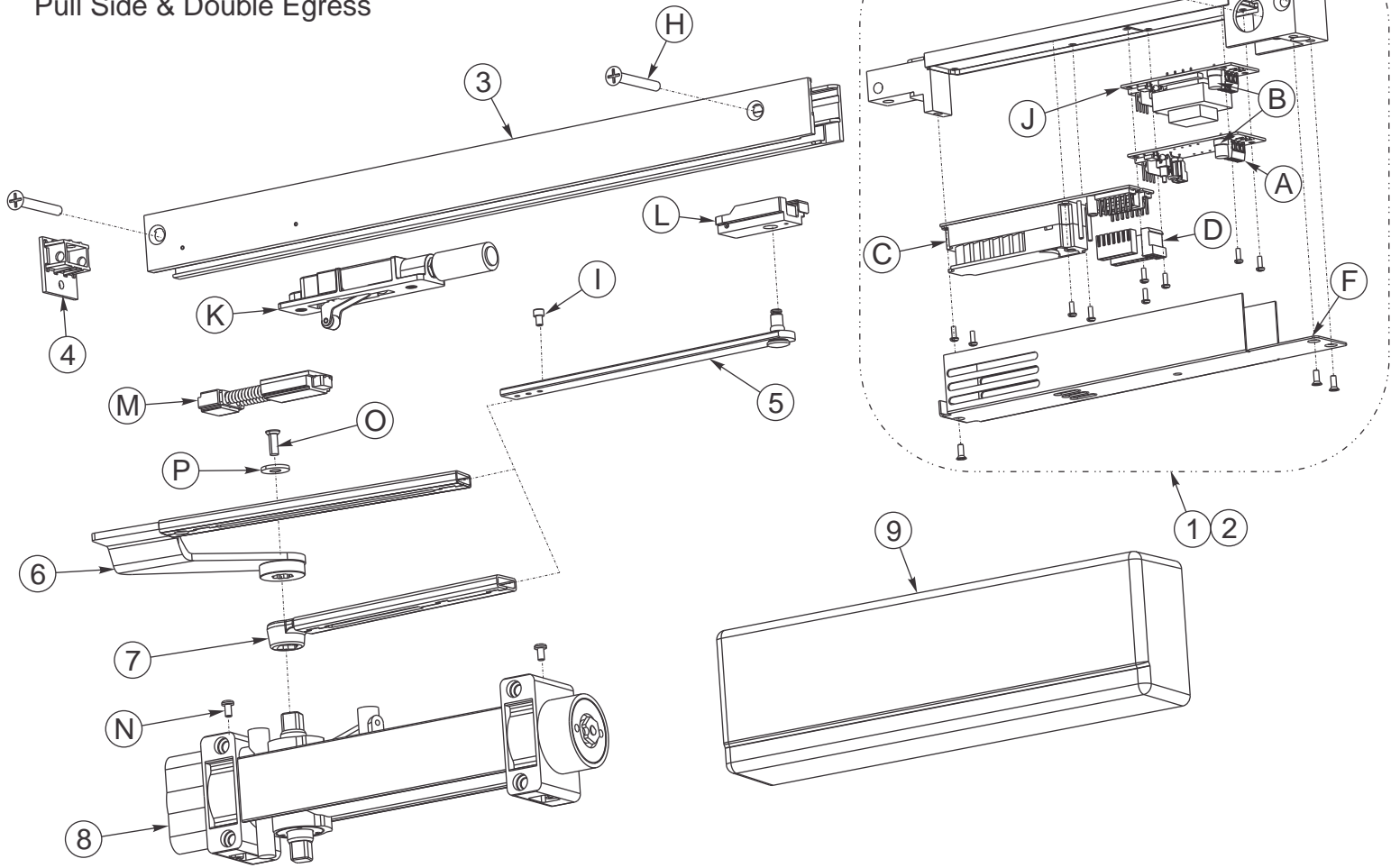
Item No.	Part No.	Description	Req.	Item No.	Part No.	Description	Req.
1	63-4456	Hook-Up Box Assy, 24VAC/DC (includes A, B, C, D, E, F, G, H)	1	3	63-4451	Track Assy, Push Side (includes J, K, L)	1
A	63-0847	includes: Circuit Board, 24VAC/DC	1	J	-	includes: Solenoid Assembly	1
B	63-0844	Fuse	1	K	63-4460	Slider	1
C	-	Hook-Up Box Base, Push Side	1	L	-	Spring Cushion	1
D	63-0846	Hook-Up Box Cover	1	4	63-0839	Track End Cap	1
E	-	Mounting Screw (in screw pack)	1	5	63-0840	Adjusting Rod Assembly	1
F	-	Mounting Screw (in screw pack)	2	6	63-2874	Slide Arm Assembly	1
G	-	Mounting Screw (in screw pack)	1	7	13-351	351 Case Assembly (includes M, N, O)	1
H	-	Adjusting Rod Screw (in screw pack)	1	-	13-351-DA	Optional - 351 Delayed Action Case Assy (includes L, M, N)	1
2	63-4457	Hook-Up Box Assy, 120VAC (includes B, C, D, E, F, G, H, I)	1	M	-	includes: Cover Mounting Screw	2
I	63-0848	includes: Circuit Board, 120VAC	1	N	-	Flat Head Machine Screw	1
B	63-0844	Fuse	1	O	-	Washer	1
C	-	Hook-Up Box Base, Push Side	1	8	351C	Standard Plastic Cover (Non-Handed)	1
D	63-0846	Hook-Up Box Cover	1				
E	-	Mounting Screw (in screw pack)	1				
F	-	Mounting Screw (in screw pack)	2				
G	-	Mounting Screw (in screw pack)	1				
H	-	Adjusting Rod Screw (in screw pack)	1				

2409 Fire Guard
 2469, 2479, 9-2469, 9-2479
 Pull Side & Double Egress



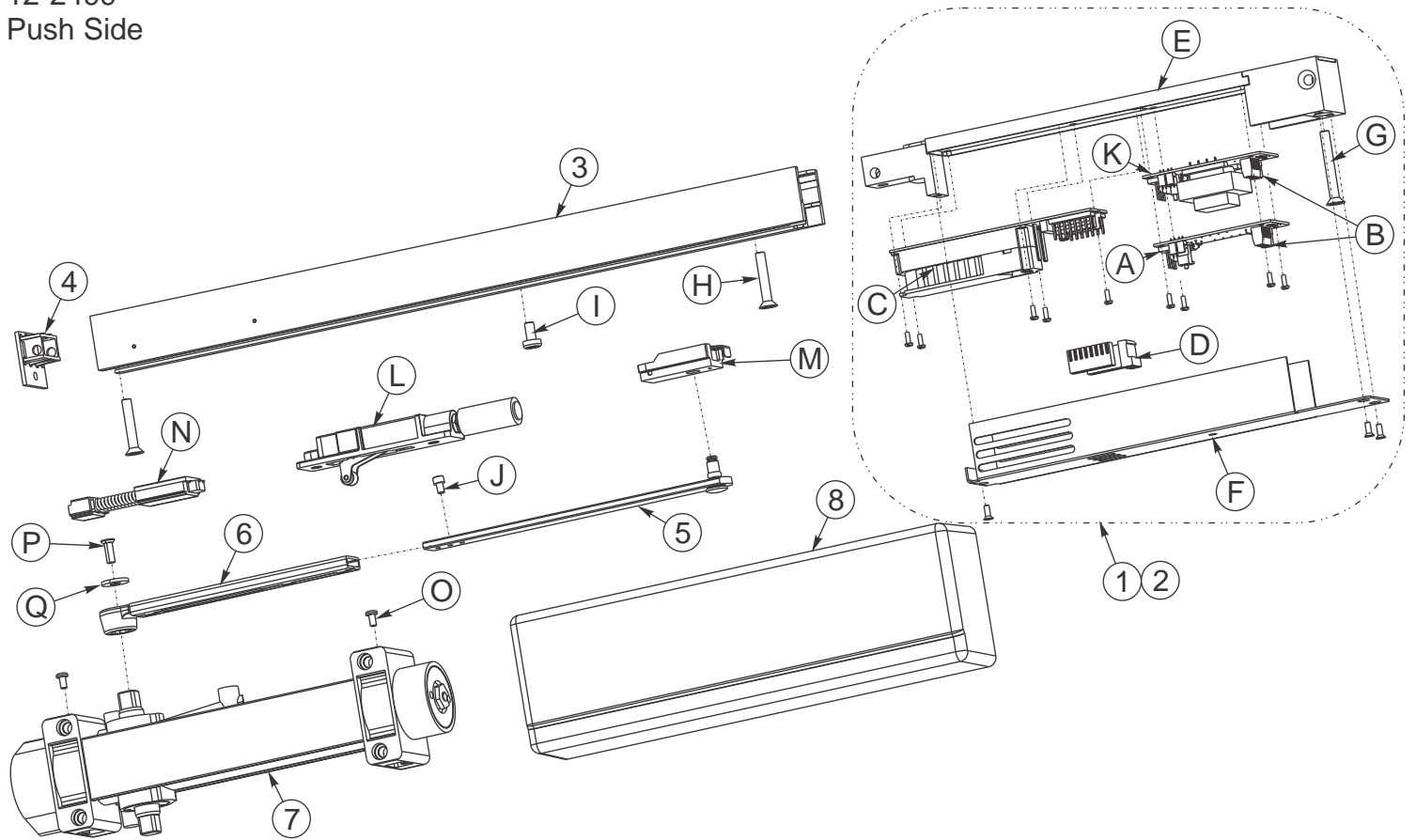
Item No.	Part No.	Description	Req.	Item No.	Part No.	Description	Req.
1	63-4452	Hook-Up Box Assy, 24VAC/DC (includes A, B, C, D, E, F, G)	1	3	63-4450	Track Assy, Pull Side (includes I, J, K)	1
A	63-0847	includes: Circuit Board, 24VAC/DC	1	I	-	includes: Solenoid Assembly	1
B	63-0844	Fuse	1	J	63-4460	Slider	1
C	-	Hook-Up Box Base, Pull Side	1	K	-	Spring Cushion	1
D	63-0846	Hook-Up Box Cover	1	4	63-0839	Track End Cap	1
E	63-0849	Hook-Up Box Plug Button, Pull Side	1	5	63-0840	Adjusting Rod Assembly	1
F	-	Mounting Screw (in screw pack)	3	6	63-3057	Double Egress Arm, Left Hand (shown)	1
G	-	Adjusting Rod Screw (in screw pack)	1		63-3056	Double Egress Arm, Right Hand	1
2	63-4453	Hook-Up Box Assy, 120VAC (includes B, C, D, E, F, G, H)	1	7	63-2874	Slide Arm Assembly	1
H	63-0848	includes: Circuit Board, 120VAC	1	8	13-351	351 Case Assembly (includes L, M, N)	1
B	63-0844	Fuse	1	-	13-351-DA	Optional - 351 Delayed Action Case Assy (includes L, M, N)	1
C	-	Hook-Up Box Base, Pull Side	1	L	-	includes: Cover Mounting Screw	2
D	63-0846	Hook-Up Box Cover	1	M	-	Flat Head Machine Screw	1
E	63-0849	Hook-Up Box Plug Button, Pull Side	1	N	-	Washer	1
F	-	Mounting Screw (in screw pack)	3	9	351C	Standard Plastic Cover (Non-Handed)	1
G	-	Adjusting Rod Screw (in screw pack)	1				

2409 Fire Guard
 12-2469, 12-2479
 Pull Side & Double Egress



Item No.	Part No.	Description	Req.	Item No.	Part No.	Description	Req.
1	63-4454	Hook-Up Box Assy, 24VAC/DC (includes A, B, C, D, E, F, G, H, I)	1	3	63-4450	Track Assy, Pull Side (includes K, L, M)	1
A	63-0847	includes: Circuit Board, 24VAC/DC	1	K	-	includes: Solenoid Assembly	1
B	63-0844	Fuse	1	L	63-4460	Slider	1
C	63-3210	Smoke Detector	1	M	-	Spring Cushion	1
D	-	Wiring Harness	1	4	63-0839	Track End Cap	1
E	-	Hook-Up Box Base, Pull Side	1	5	63-0840	Adjusting Rod Assembly	1
F	63-0845	Hook-Up Box Cover	1	6	63-3057	Double Egress Arm, Left Hand (shown)	1
G	63-0849	Hook-Up Box Plug Button, Pull Side	1		63-3056	Double Egress Arm, Right Hand	1
H	-	Mounting Screw (in screw pack)	3	7	63-2874	Slide Arm Assembly	1
I	-	Adjusting Rod Screw (in screw pack)	1	8	13-351	351 Case Assembly (includes N, O, P)	1
2	63-4455	Hook-Up Box Assy, 120VAC (includes B, C, D, E, F, G, H, I, J)	1	-	13-351-DA	Optional - 351 Delayed Action Case Assy (includes N, O, P)	1
J	63-0848	includes: Circuit Board, 120VAC	1	N	-	includes: Cover Mounting Screw	2
B	63-0844	Fuse	1	O	-	Flat Head Machine Screw	1
C	63-3210	Smoke Detector	1	P	-	Washer	1
D	-	Wiring Harness	1	9	351C	Standard Plastic Cover (Non-Handed)	1
E	-	Hook-Up Box Base, Pull Side	1				
F	63-0846	Hook-Up Box Cover	1				
G	63-0849	Hook-Up Box Plug Button, Pull Side	1				
H	-	Mounting Screw (in screw pack)	3				
I	-	Adjusting Rod Screw (in screw pack)	1				

2409 Fire Guard
12-2499
Push Side



Item No.	Part No.	Description	Req.	Item No.	Part No.	Description	Req.
1	63-4458	Hook-Up Box Assy, 24VAC/DC (includes A, B, C, D, E, F, G, H, I, J)	1	3	63-4451	Track Assy, Push Side (includes L, M, N)	1
A	63-0847	includes: Circuit Board, 24VAC/DC	1	L	-	includes: Solenoid Assembly	1
B	63-0844	Fuse	1	M	63-4460	Slider	1
C	63-3210	Smoke Detector	1	N	-	Spring Cushion	1
D	-	Wiring Harness	1	4	63-0839	Track End Cap	1
E	-	Hook-Up Box Base, Push Side	1	5	63-0840	Adjusting Rod Assembly	1
F	63-0845	Hook-Up Box Cover	1	6	63-3057	Slide Arm Assembly	1
G	63-0849	Mounting Screw (in screw pack)	1	7	13-351	351 Case Assembly (includes O, P, Q)	1
H	-	Mounting Screw (in screw pack)	3	-	13-351-DA	Optional - 351 Delayed Action Case Assy (includes O, P, Q)	1
I	-	Mounting Screw (in screw pack)	1	O	-	includes: Cover Mounting Screw	2
J	-	Adjusting Rod Screw (in screw pack)	1	P	-	Flat Head Machine Screw	1
2	63-4459	Hook-Up Box Assy, 120VAC (includes B, C, D, E, F, G, H, I, J)	1	Q	-	Washer	1
K	63-0848	includes: Circuit Board, 120VAC	1	8	351C	Standard Plastic Cover (Non-Handed)	1
B	63-0844	Fuse	1				
C	63-3210	Smoke Detector	1				
D	-	Wiring Harness	1				
E	-	Hook-Up Box Base, Push Side	1				
F	63-0846	Hook-Up Box Cover	1				
G	-	Mounting Screw (in screw pack)	1				
H	-	Mounting Screw (in screw pack)	2				
I	-	Mounting Screw (in screw pack)	1				
J	-	Adjusting Rod Screw (in screw pack)	1				