

DL Series Parts Manual

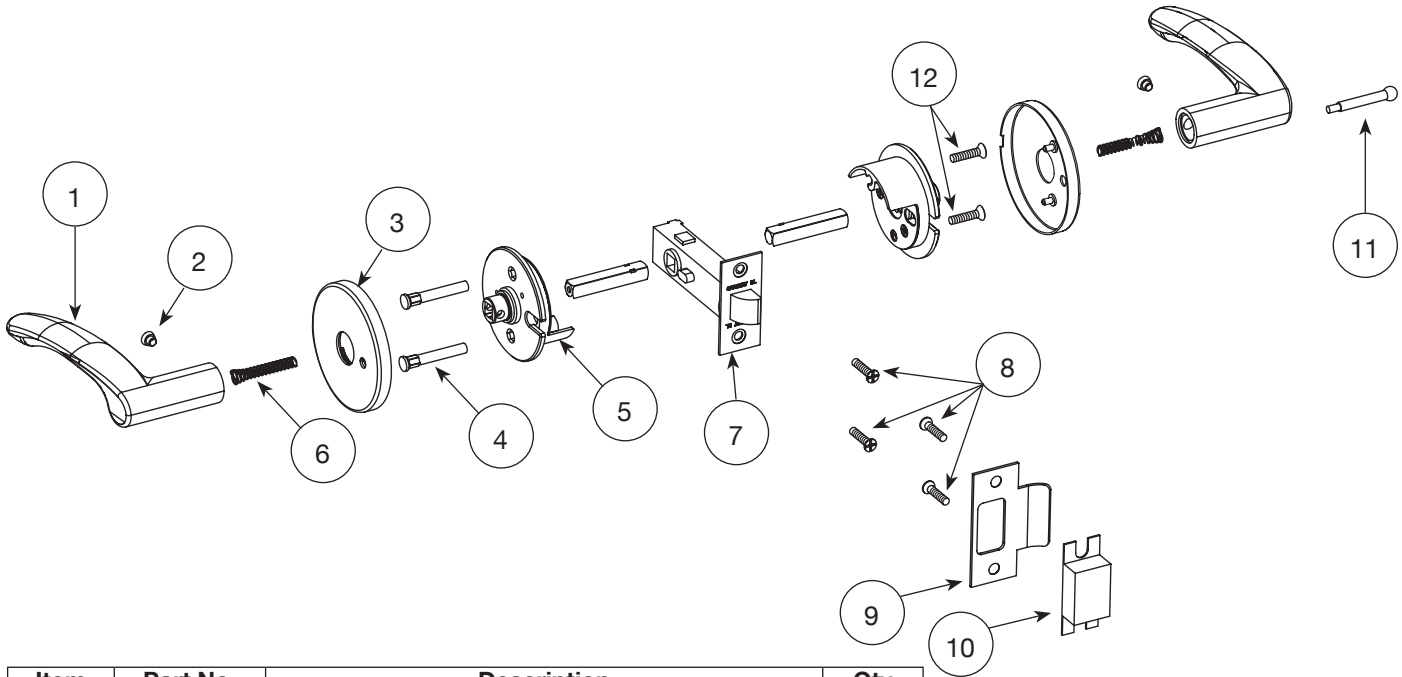


For assistance, contact SARGENT at
800-727-5477 or www.sargentlock.com

Experience a safer
and more open world

⚠ WARNING

This product can expose you to lead which is known to the state of California to cause cancer and birth defects or other reproductive harm. For more information go to www.P65warnings.ca.gov.



Item	Part No.	Description	Qty
1	—	Lever (see page 3)	2
2	82-1038	Set Screw	2
3	DL-2053*	Rose Assembly -- CO Design (15 Function)	2
	DL-2054*	Rose Assembly--CO Design (65 Function)	2
	DL-2055*	Rose Assembly -- TO Design (15 Function)	2
	DL-2056*	Rose Assembly -- TO Design (65 Function)	2
	DL-2057*	Rose Assembly -- O Design (15 Function)	2
	DL-2058*	Rose Assembly -- O Design (65 Function)	2
	DL-2059*	Rose Assembly -- LN Design (93 & 94 Functions Only)	—
	DL-2060*	Rose Assembly -- CR Design (93 & 94 Functions Only)	—
	DL-2061*	Rose Assembly -- TR Design (94 & 94 Functions Only)	—
	DL-2113*	Rose Assembly -- E2 Design (15 Function)	2
DL-2114*	Rose Assembly -- E2 Design (65 Function)	2	
DL-2115*	Rose Assembly -- E2 Design (93 & 94 Functions Only)	2	
4	82-0017	Mounting Post	2
5	DL-2005	Spring Housing	2
	DL-0091	Mounting Plate (93 & 94 Functions Only)	—
	DL-2006*	Mounting Assembly/Blank Rose (15-3 Function)	—
	82-4022*	Thru-bolt Plate Assembly (TB-93 Function)	—
6	82-0347	Lever Springs	2
7	DL-5007*	Latch -- 2-3/4" Backset (15 Function)	1
	DL-5008*	Latch -- 2-3/4" Backset (65 Function)	1
	DL-5009*	Latch-- 2-3/8" Backset (15 Function)	1
	DL-5010*	Latch -- 2-3/8" Backset (65 Function)	1
8	08-3788*	T-Strike Screw Pack	1
	08-2853	28- Prefix Screw Pack (not shown)	1
9	800*	Standard T-Strike	1
	808*	28- Prefix ANSI Strike (not shown)	1
	505*	13- or 14- Prefix Full Lip Strike (not shown)	1
10	AM-0044	Wrought Box Strike	1
11	DL-0023*	Push Button (65 Function Only)	1
12	DL-2020	Mounting Post Screw Pack	1

* Specify Finish

The warranty on SARGENT® products becomes void if the product is modified in any way, regardless of whether the modification causes or contributes to any alleged defect. If a SARGENT product is modified it may no longer meet industry certification and quality control standards applicable to the original product and is no longer a genuine SARGENT product.

Copyright © 2019-2020, SARGENT Manufacturing Company. All rights reserved. Reproduction in whole or in part without the express written permission of SARGENT Manufacturing Company is prohibited.

**Studio Collection® and Standard Levers
 Non-Handed Levers w/o Returns**

Design	Hand	Inside and/or Outside Lever
MA	N/A	82-0802
MB	N/A	82-0805
MC	N/A	82-0808
MD	N/A	82-0811
ME	N/A	82-0814
MF	N/A	82-0817
MI	N/A	82-0829
MJ	N/A	82-0832
MO	N/A	82-0859
MP	N/A	82-0862
B	N/A	DL-0042
E	N/A	DL-0043
F	N/A	DL-0044
J	N/A	DL-0045
L	N/A	DL-0046
P	N/A	DL-0047
W	N/A	DL-0048
R	N/A	DL-0049

Gramercy

Design	Hand	Inside and/or Outside Lever
REM	N/A	RW-2001
RGM	N/A	RW-2025
RCM	N/A	RW-2005
RAL	N/A	RW-2021
RAM	N/A	RW-2009
RAS	N/A	RW-2017
RAW	N/A	RW-2013
RAG	N/A	RW-2029

Handed Levers

Design	Hand	Inside and/or Outside Lever
MH	RH	82-0823
	LH	82-0826
MK	RH	82-0835
	LH	82-0838
MM	RH	82-0847
	LH	82-0850
MN	RH	82-0853
	LH	82-0856
MQ	RH	82-0865
	LH	82-0868
MS	RH	82-1242
	LH	82-1241
MT	RH	82-0880
	LH	82-0883
MU	RH	82-1250
	LH	82-1249
MV	RH	82-0892
	LH	82-0895
A	RH	DL-0040
	LH	DL-0041
S	RH	DL-0051
	LH	DL-0052
G	RH	DL-0053
	LH	DL-0054
Y	RH	DL-0055
	LH	DL-0056

Levers with Returns

Design	Hand	Inside and/or Outside Lever
MG	N/A	82-0820
MW	N/A	82-0898
MX	RH	82-1089
	LH	82-1086
MY	RH	82-1077
	LH	82-1074
MZ	RH	82-1083
	LH	82-1080
ND	N/A	82-0908
NF	N/A	82-1276
NJ	N/A	82-0914
NS	RH	82-0905
	LH	82-0902
NU	RH	82-1068
	LH	82-1065

Wooster Square and Grant Park

Design	Hand	Inside and/or Outside Lever
H001	N/A	82-1581
H002	N/A	82-1584
H003	N/A	82-1587
H004	N/A	82-1587
H005	N/A	82-1590
H006	N/A	82-1590
H007	N/A	82-1593
H008	RH	82-1597
	LH	82-1598
H009	N/A	82-1602
H010	N/A	82-1605
H011	N/A	82-1608

The ASSA ABLOY Group is the global leader in access solutions. Every day, we help billions of people experience a more open world.

ASSA ABLOY Opening Solutions leads the development within door openings and products for access solutions in homes, businesses and institutions. Our offering includes doors, frames, door and window hardware, locks, perimeter fencing, access control and service.

SARGENT[®]
ASSA ABLOY

SARGENT Manufacturing Company
100 Sargent Drive
New Haven, CT 06511 USA
800-727-5477
www.sargentlock.com

SARGENT is a brand associated with ASSA ABLOY High Security Group, Inc., an ASSA ABLOY Access and Egress Hardware Group company. Copyright© 2019-2020, ASSA ABLOY Access and Egress Hardware Group, Inc. All rights reserved. Reproduction in whole or in part without the express written permission of ASSA ABLOY Access and Egress Hardware Group, Inc. is prohibited.

A8256:A 03/20