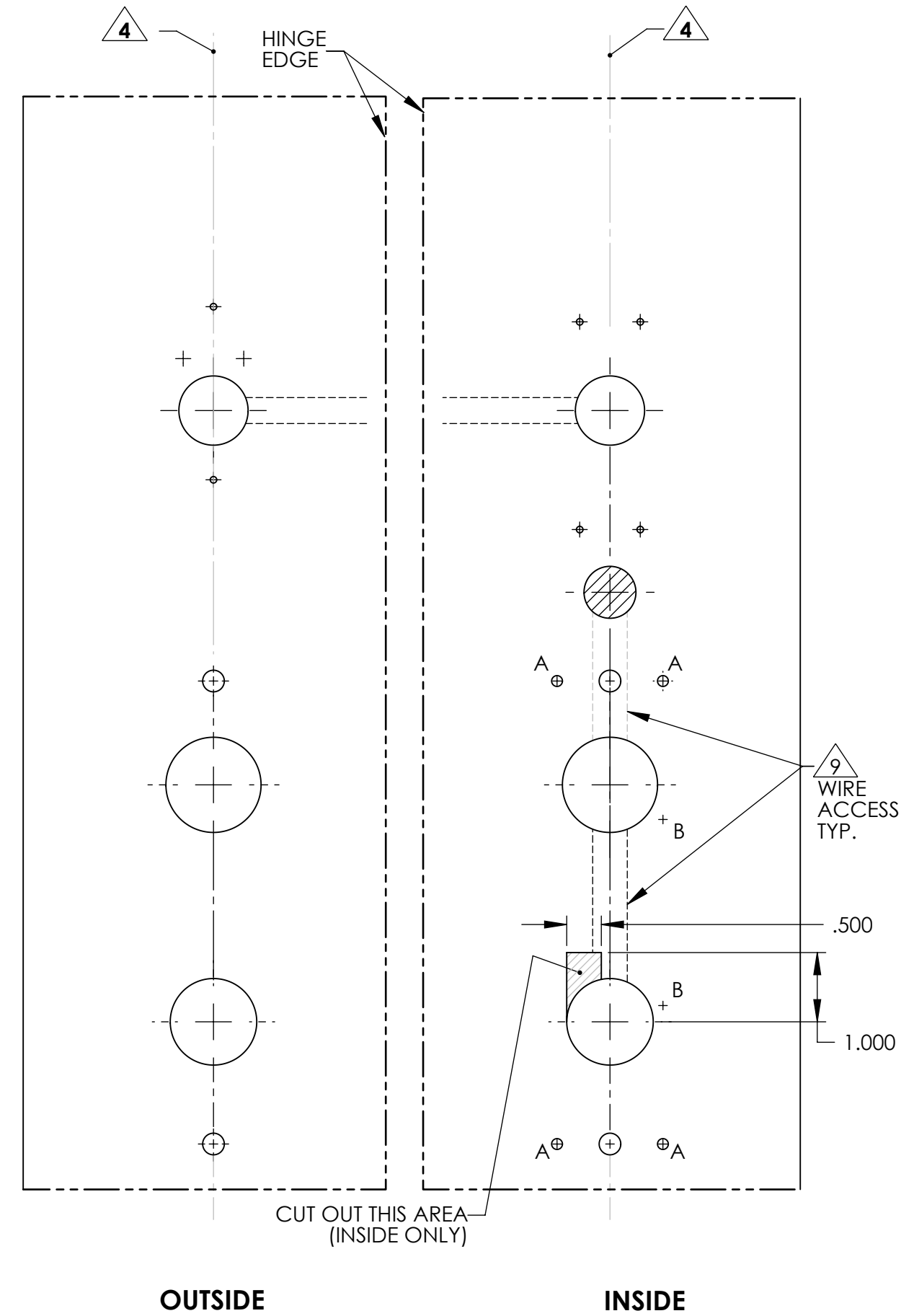
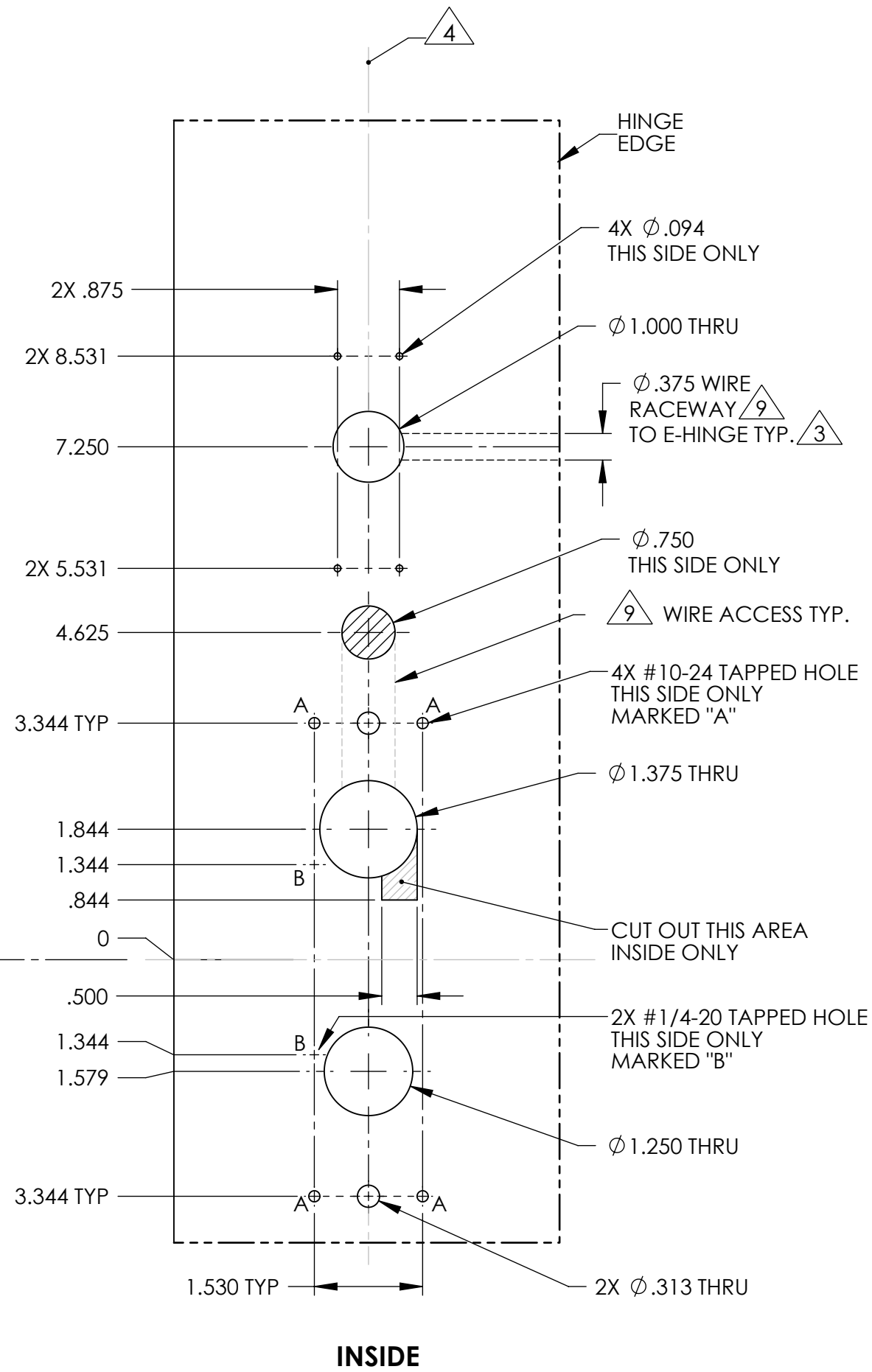
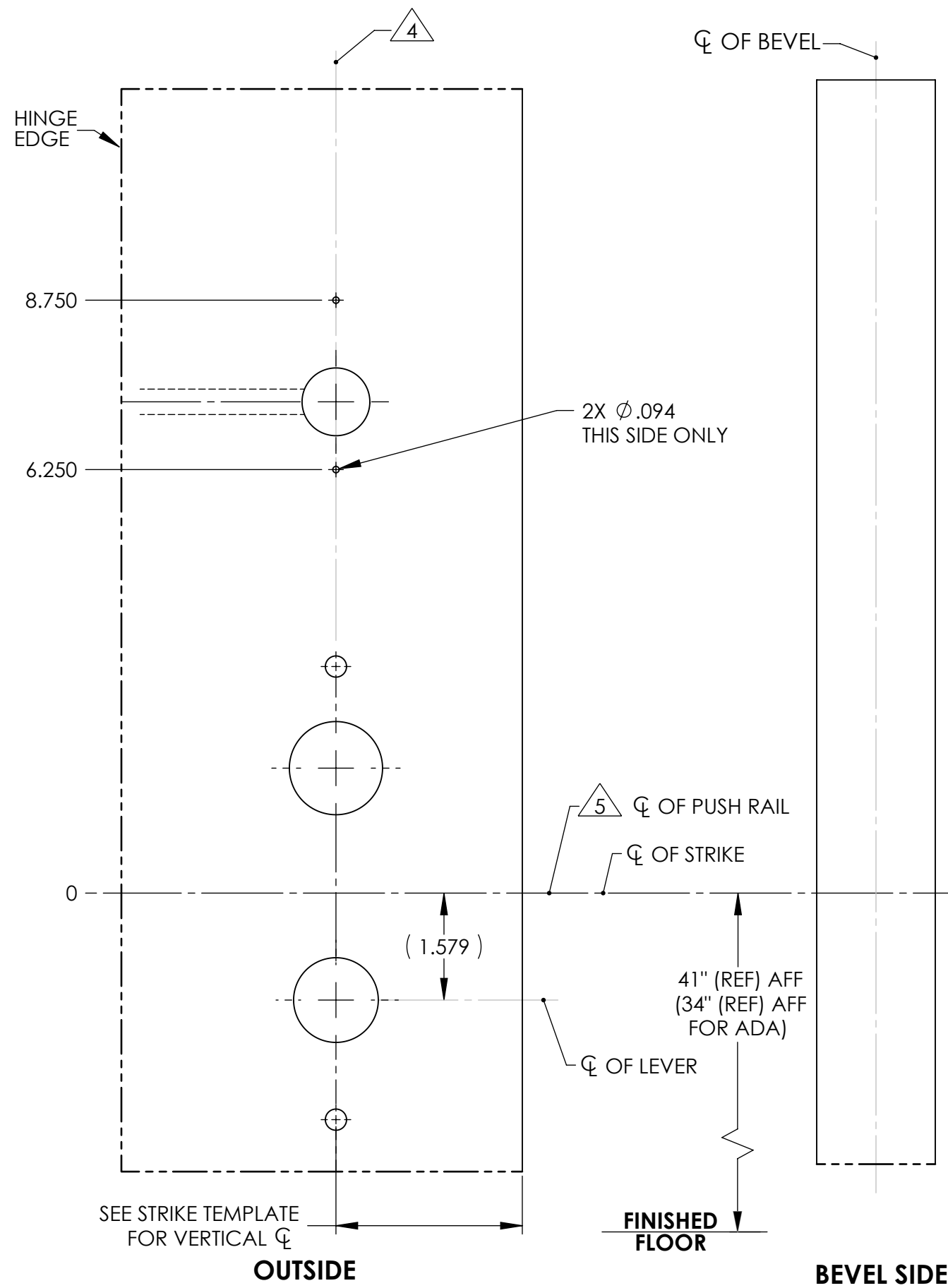


METAL DOOR

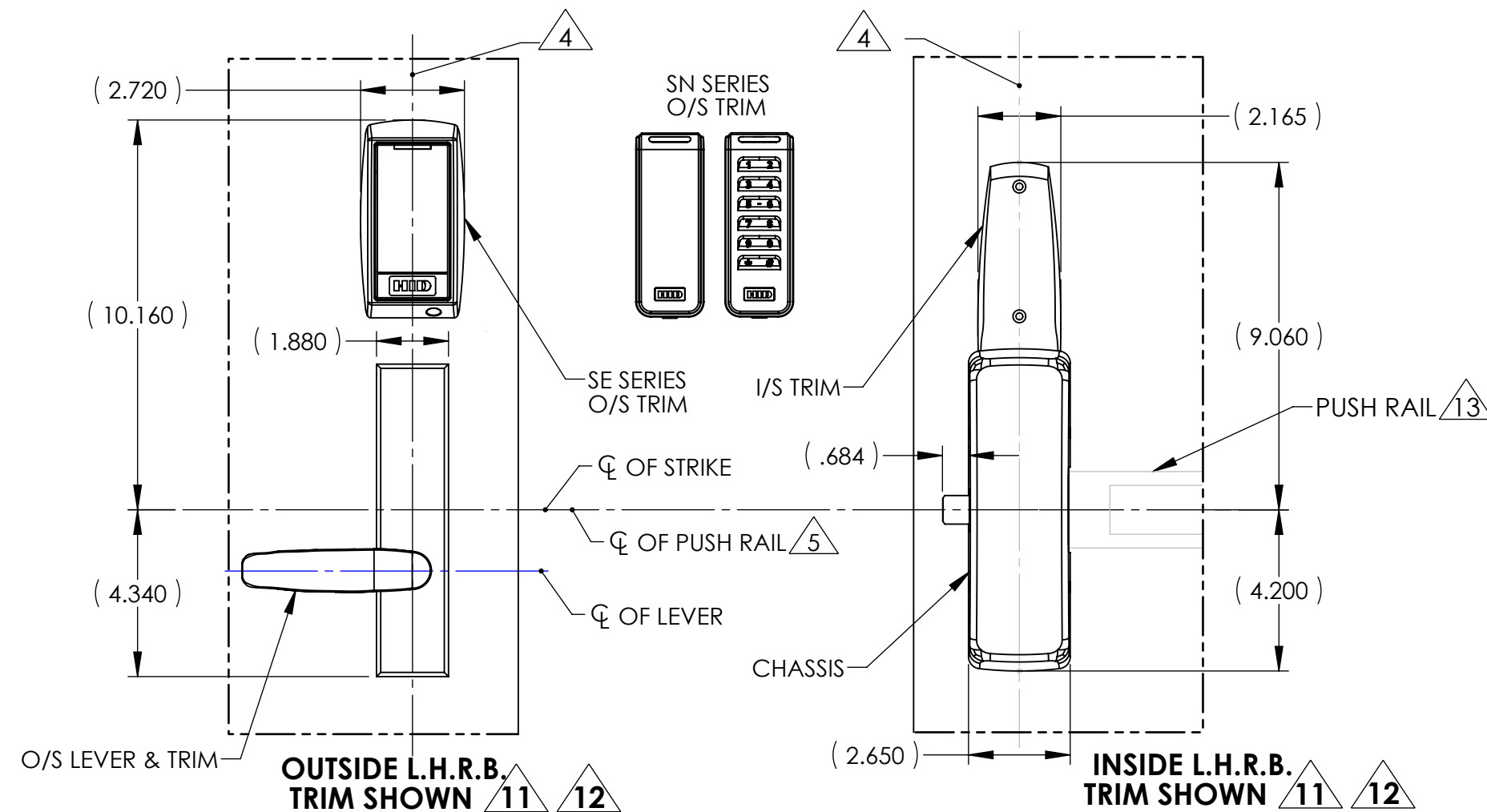


L.H.R.B. DOOR

R.H.R.B. DOOR

NOTES:

1. DRAWING IS NOT TO SCALE.
2. REFERENCE STRIKE TEMPLATE FOR DETAILS TO PREPARE FRAME.
3. FOR ELECTROLYNX APPLICATIONS, REFER TO MCKINNEY TRANSFER DEVICE CATALOG.
4. VERTICAL CENTERLINE IS REFERENCED FROM THE CENTERLINE OF THE BEVEL. (INDUSTRY STANDARD BEVEL IS 1/8 INCH IN 2 INCHES.) CONSULT THE AUTHORITY HAVING JURISDICTION (AHJ) TO VERIFY THE RECOMMENDED MOUNTING HEIGHT ABOVE THE FINISHED FLOOR (AFF). LIMITATIONS IN THE DOOR CONSTRUCTION PROCESS MAY REQUIRE SOME HOLES TO BE FIELD-LOCATED USING THE PHYSICAL PART AS A TEMPLATE.
5. STANDARD TOLERANCE OF $\pm .015$ APPLIES TO ALL DOOR PREPARATION REQUIREMENTS, UNLESS OTHERWISE SPECIFIED.
6. DOOR REINFORCEMENT IS RECOMMENDED TO IMPROVE (SURFACE MOUNTED) FASTENER HOLDING POWER AND CRUSH RESISTANCE (WHEN THRU-BOLTING IS EMPLOYED). CONSTRUCTION TECHNIQUES SHOULD REFLECT INDUSTRY BEST PRACTICES (I.E. WDMA, SDI) AND AUTHORIZED METHODS WHERE LABEL SERVICE (I.E. UL, W-H) IS IN EFFECT.
7. WIRE RACEWAY AREAS SHALL BE FREE OF OBSTRUCTIONS & SHARP EDGES TO PROTECT WIRES FROM CUTS & ABRASIONS.
8. CAREFULLY NOTE WHICH FEATURES ARE OPTIONAL, (WHETHER THE FEATURE APPLIES TO BOTH SIDES OF THE DOOR AND/OR IF A DEPTH APPLIES.) MAXIMUM PRODUCT DIMENSIONS ARE SHOWN FOR THE PURPOSE OF VERIFYING FITMENT WITH DOOR FRAME STOPS, DOOR STILE SIZE & LIGHT/LOUVER KITS. IF OPTIONAL LEVERS OR ROSES ARE USED REFERENCE THE RELATED PRODUCT DIMENSIONS TO VERIFY THE FITMENT REQUIREMENTS.
9. SEE TEMPLATE 4415 FOR EXIT DEVICE PREP
10. CONCEALED DOOR POSITION SWITCH MODEL 3287 IS INCLUDED WITH THIS PRODUCT. SEE SARGENT TEMPLATE A7448B. USE AND INSTALLATION LOCATION TO BE SPECIFIED BY OTHERS.

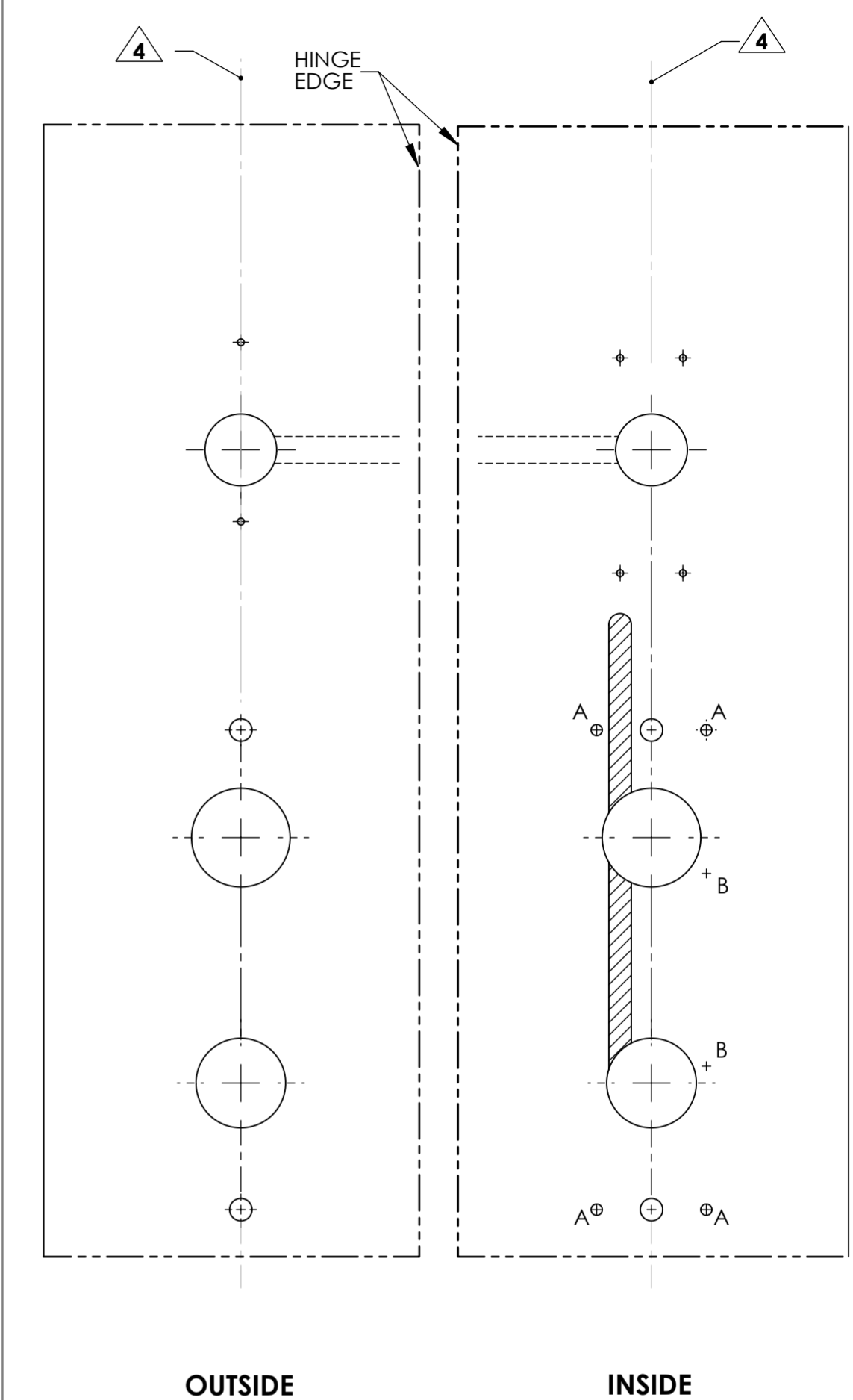
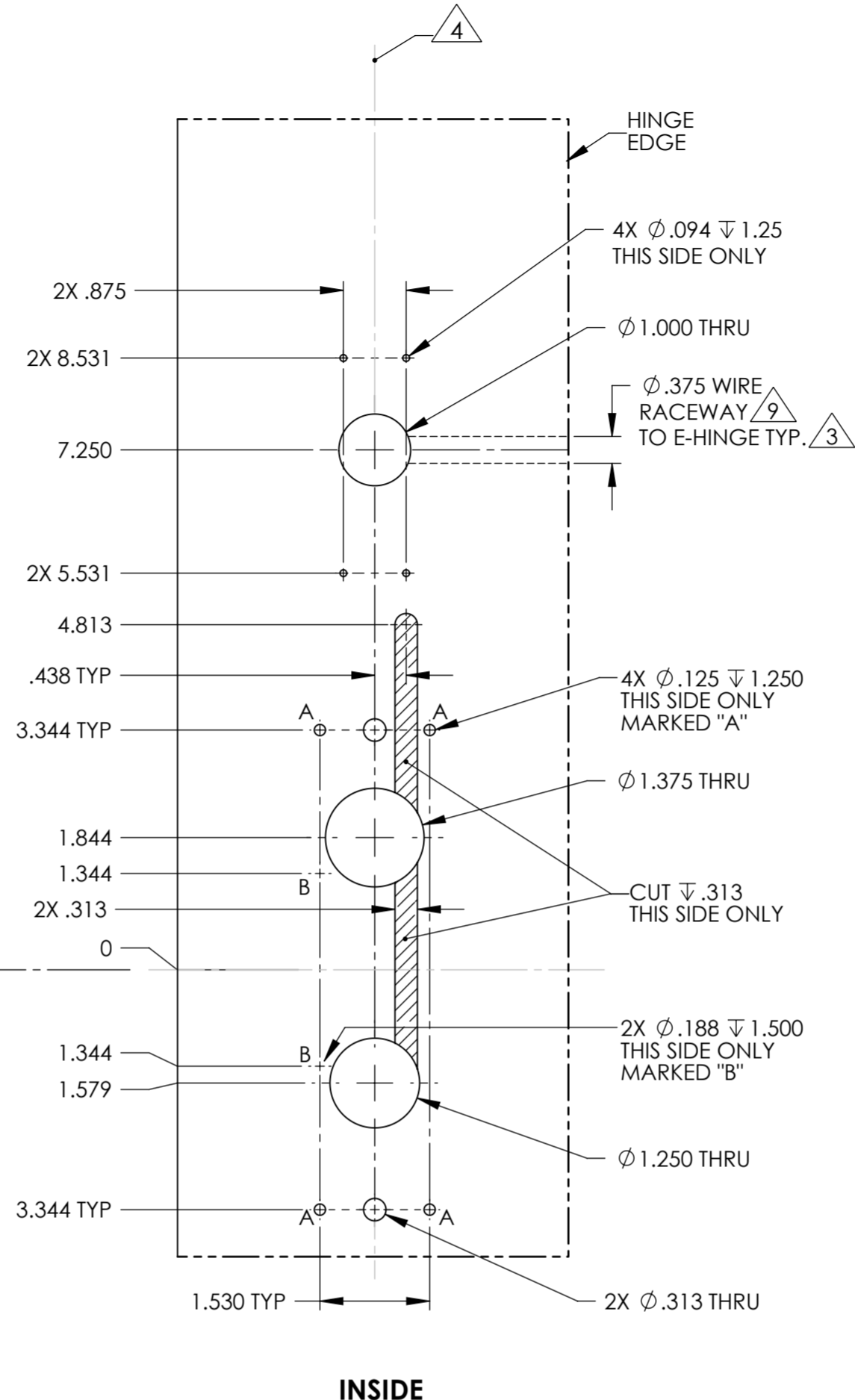
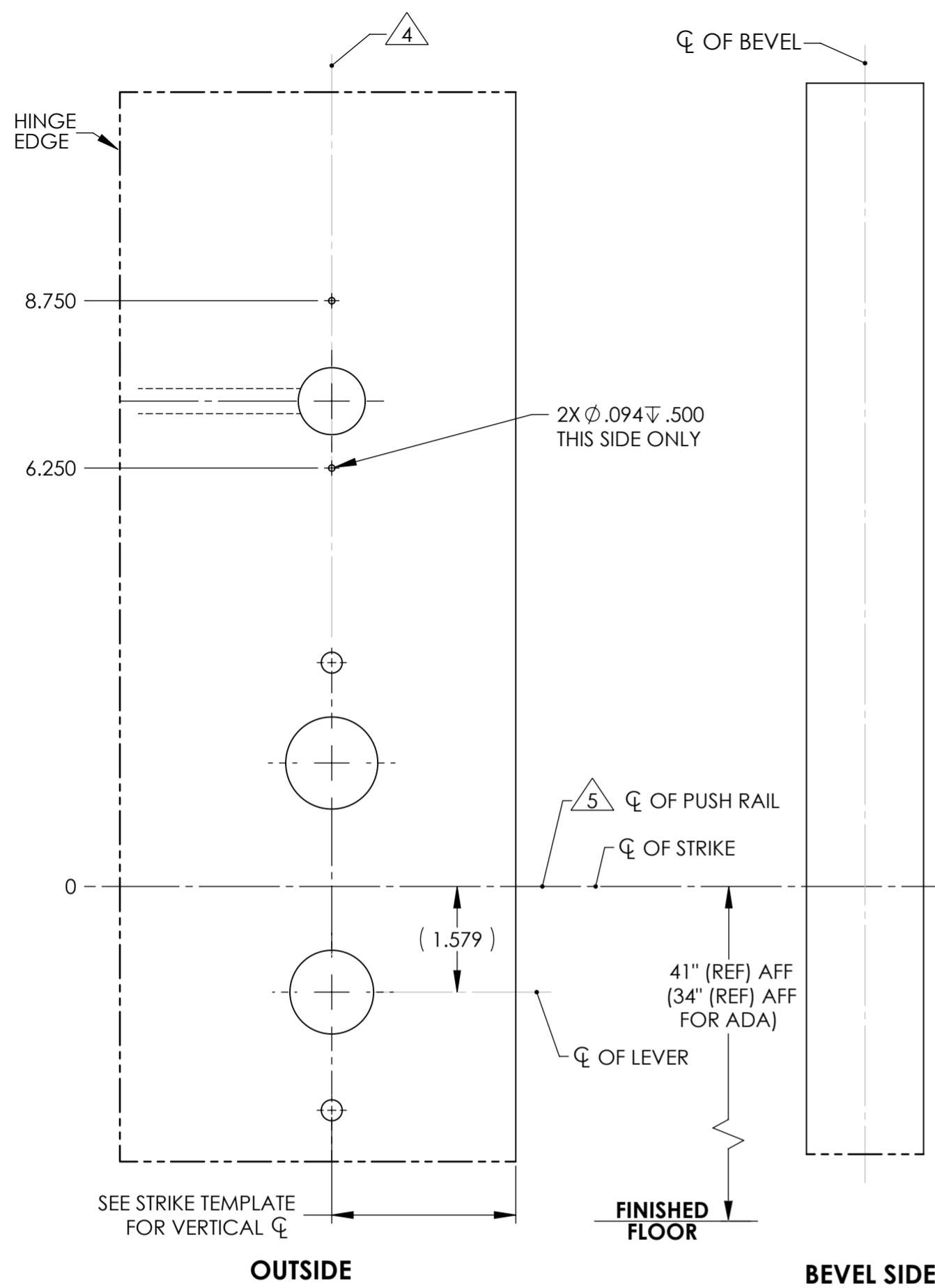


AUTHORIZED PREFIXES
M1, SN200, SN210

BACKSET DEFINITION	DOOR HANDING		
	L.H.	INSIDE	R.H.
BACKSET	OUTSIDE		
TOP OF DOOR VERTICAL ϕ	INSIDE		
ϕ OF BEVEL	L.H.R.B.	OUTSIDE	R.H.R.B.

SARGENT ASSA ABLOY	Sargent Manufacturing Company 100 Sargent Drive New Haven, CT 06511
DOOR MANUFACTURERS TEMPLATE: SE, SN SERIES TRIM METAL DOOR 8800 RIM DEVICE	RELEASE DATE OCT 12 2020 TEMPLATE NO. 4707 3
SHEET 1 OF 2	

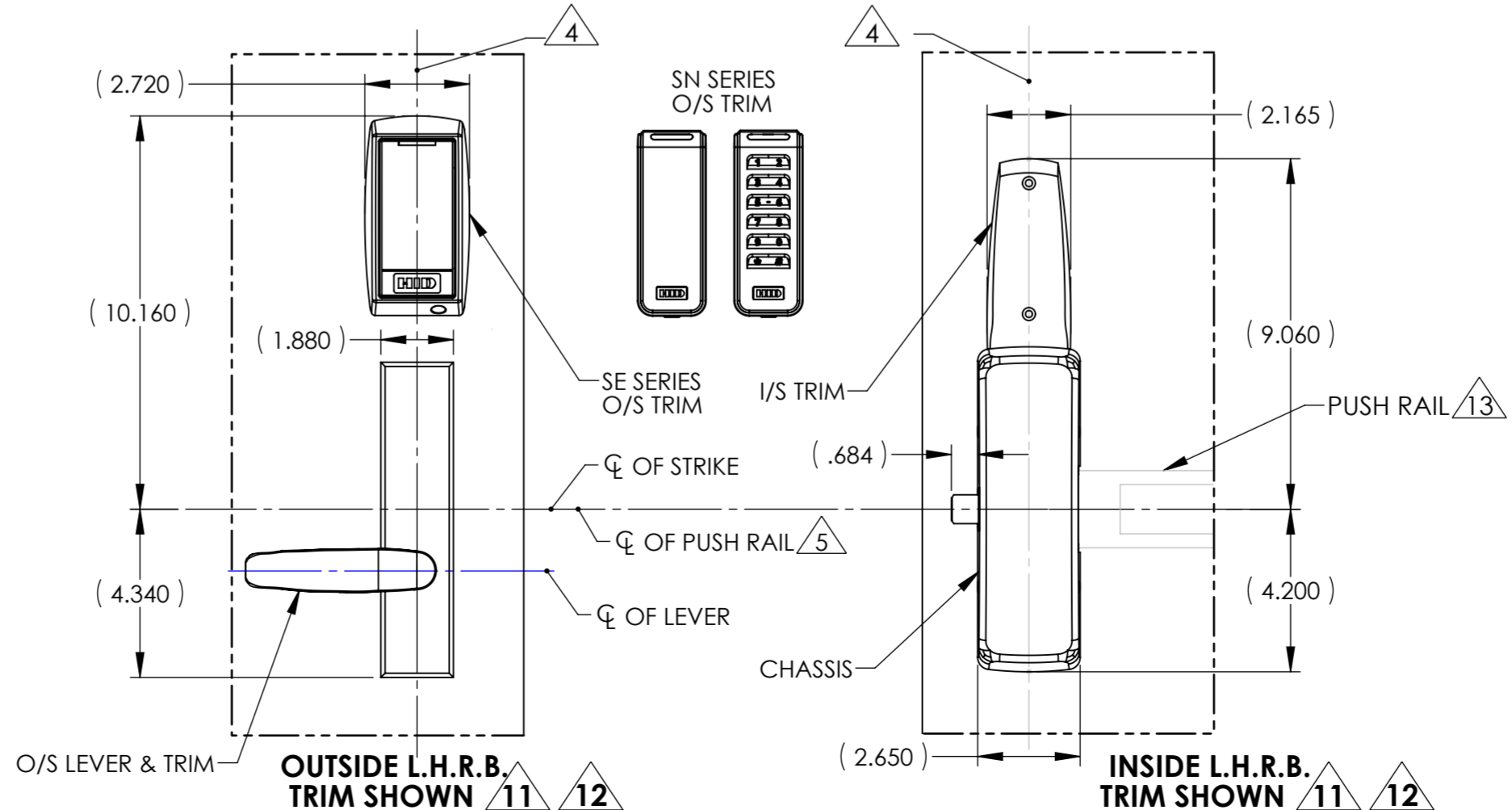
WOOD DOOR



L.H.R.B. DOOR

R.H.R.B. DOOR

- NOTES:
- DRAWING IS NOT TO SCALE. REFERENCE STRIKE TEMPLATE FOR DETAILS TO PREPARE FRAME.
 - FOR ELECTROLYNX APPLICATIONS, REFER TO MCKINNEY TRANSFER DEVICE CATALOG.
 - VERTICAL CENTERLINE IS REFERENCED FROM THE CENTERLINE OF THE BEVEL. (INDUSTRY STANDARD BEVEL IS 1/8 INCH IN 2 INCHES.) CONSULT THE AUTHORITY HAVING JURISDICTION (AHJ) TO VERIFY THE RECOMMENDED MOUNTING HEIGHT ABOVE THE FINISHED FLOOR (AFF). LIMITATIONS IN THE DOOR CONSTRUCTION PROCESS MAY REQUIRE SOME HOLES TO BE FIELD-LOCATED USING THE PHYSICAL PART AS A TEMPLATE.
 - STANDARD TOLERANCE OF $\pm .015$ APPLIES TO ALL DOOR PREPARATION REQUIREMENTS, UNLESS OTHERWISE SPECIFIED.
 - DOOR REINFORCEMENT IS RECOMMENDED TO IMPROVE (SURFACE MOUNTED) FASTENER HOLDING POWER AND CRUSH RESISTANCE (WHEN THRU-BOLTING IS EMPLOYED). CONSTRUCTION TECHNIQUES SHOULD REFLECT INDUSTRY BEST PRACTICES (I.E. WDMA, SDI) AND AUTHORIZED METHODS WHERE LABEL SERVICE (I.E. UL, W-H) IS IN EFFECT.
 - WIRE RACEWAY AREAS SHALL BE FREE OF OBSTRUCTIONS & SHARP EDGES TO PROTECT WIRES FROM CUTS & ABRASIONS.
 - CAREFULLY NOTE WHICH FEATURES ARE OPTIONAL, (WHETHER THE FEATURE APPLIES TO BOTH SIDES OF THE DOOR AND/OR IF A DEPTH APPLIES.)
 - MAXIMUM PRODUCT DIMENSIONS ARE SHOWN FOR THE PURPOSE OF VERIFYING FITMENT WITH DOOR FRAME STOPS, DOOR STILE SIZE & LIGHT/LOUVER KITS.
 - IF OPTIONAL LEVERS OR ROSES ARE USED REFERENCE THE RELATED PRODUCT DIMENSIONS TO VERIFY THE FITMENT REQUIREMENTS.
 - SEE TEMPLATE 4415 FOR EXIT DEVICE PREP
 - CONCEALED DOOR POSITION SWITCH MODEL 3287 IS INCLUDED WITH THIS PRODUCT. SEE SARGENT TEMPLATE A7448B. USE AND INSTALLATION LOCATION TO BE SPECIFIED BY OTHERS.



AUTHORIZED PREFIXES
M1, SN200, SN210

BACKSET DEFINITION		DOOR HANDING		
BACKSET		L.H.	INSIDE	R.H.
TOP OF DOOR VERTICAL Q		OUTSIDE		
Q OF BEVEL		INSIDE		
		L.H.R.B.	OUTSIDE	R.H.R.B.

SARGENT Sargent Manufacturing Company
100 Sargent Drive New Haven, CT 06511

ASSA ABLOY

DOOR MANUFACTURERS TEMPLATE: RELEASE DATE
SE, SN SERIES TRIM OCT 12 2020
WOOD DOOR
8800 RIM DEVICE TEMPLATE NO.
SHEET 2 OF 2 4707 3