

INSTALLATION INSTRUCTIONS

Concealed Pin and Barrel Continuous Hinges

SL200 & SL300



PRODUCT MUST BE INSTALLED ACCORDING TO ALL APPLICABLE BUILDING AND LIFE SAFETY CODES

All holes in door and frame must be drilled correctly and fasteners properly installed. Failure to use fasteners supplied by Select Products Limited will void UL or WHI fire rated listing.

Important Warranty Information:

The following actions will void any warranty, expressed or implied:

- Failure to install the hinge according to the manufacturer's specifications and requirements. (for more information, visit selecthingerequirements.com)
- Use of fasteners other than those supplied with the hinge.
- Unauthorized field modifications, including alteration of the original finish or painting the hinge.

1. Frame Preparation

A. Place hinge frame leaf on rabbet. Position top of hinge 1/8" maximum below header (Fig. 1 & 2).

B. Mark and center punch each hole on frame with hinge held firmly in place. Remove hinge. A center punch can help center hole so that fasteners will enter straight. Prepare to drill frame.

C. Drill holes:

Wood Frame: Drill holes using 5/32" drill bit.

Hollow Metal Frame: Drill holes using a #16 drill bit. If hollow metal frame is reinforced, thread all holes with #12-24 tap.

Do not install hinge to frame at this time.

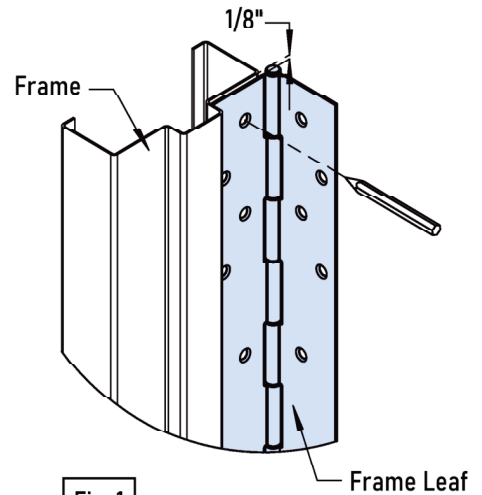


Fig. 1

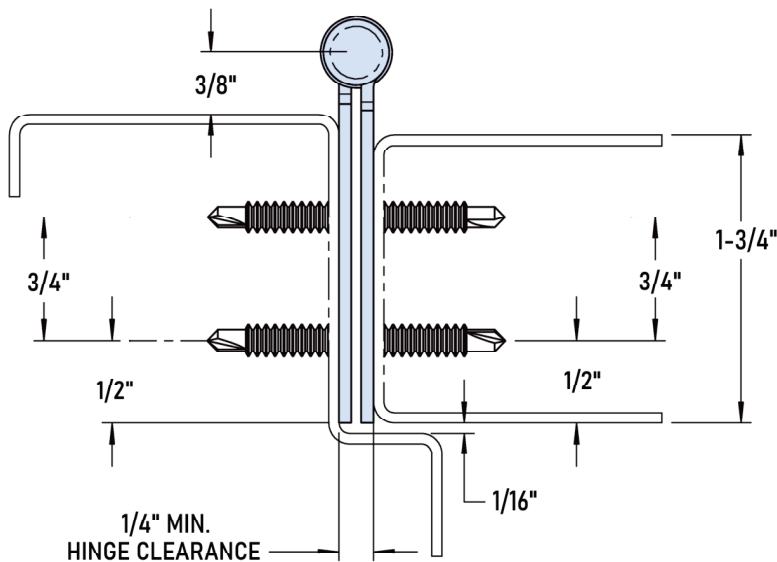






Fig. 2 HINGE PLACEMENT & CLEARANCE TEMPLATE

| STANDARD HARDWARE | |
|---|---|
|  |  |
| #12-24 X 11/16" FLAT HEAD UNDERCUT SELF-DRILLING SCREW (TKS1267SP10SS) | |
| OPTIONAL HARDWARE AVAILABLE UPON REQUEST | |
|  |  |
| #12-8 x 1-1/2" FLAT HEAD UNDERCUT WOOD SCREW (PBS12150SP10SS) | |
| SECURITY SCREWPACKS M91-0031MM, M91-0031MW, M91-0031WW | |

2. Door Preparation

- A. Position hinge door leaf so that top of hinge is flush with top of door. Make sure hinge edge is up flush with door face.
- B. Mark and center punch each hole on door with hinge held firmly in place (Fig 3). Remove hinge from door and prepare to drill door.

C. Drilling doors:

Wood Doors: Drill all holes using 5/32" drill bit.

Hollow Metal Doors: Drill all holes using a #16 drill bit
If hollow door is reinforced, thread all holes with #12-24 tap.

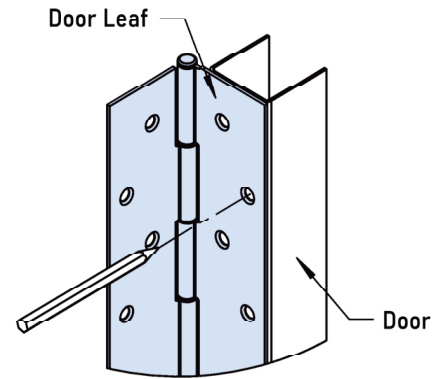


Fig. 3

3. Hinge Installation

A. Attaching hinge to door (Fig 4):

Wood: Attach hinge using #12-8 x 1-1/2" Flat Head Undercut Wood Screws

Hollow Metal: Attach hinge using #12-24 x 11/16" Flat Head Undercut Self-Drilling Screws

B. Attaching hinge to frame (Fig 5):

Wood: Attach hinge using #12-8 x 1-1/2" Flat Head Undercut Wood Screws

Hollow Metal: Attach hinge using #12-24 x 11/16" Flat Head Undercut Self-Drilling Screws

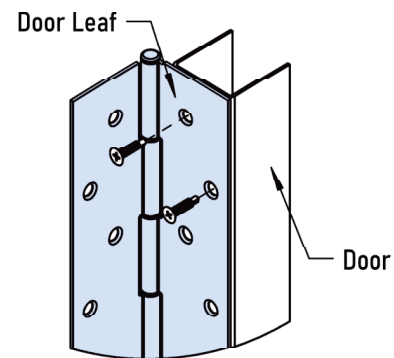


Fig. 4

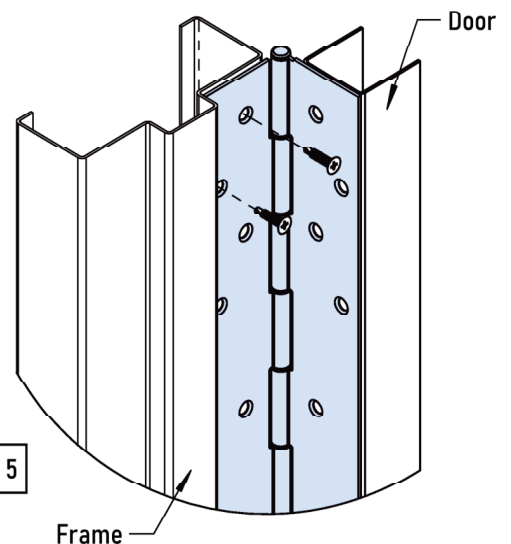
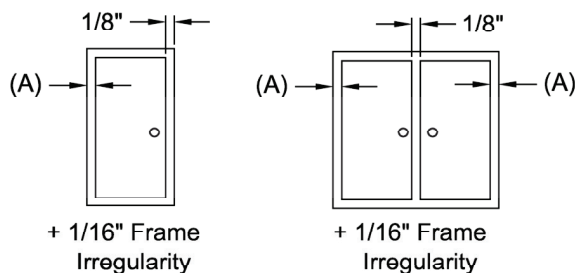


Fig. 5

Models SL200 and SL300

Standard "Non-Adjustable" application clearances

| Door Edge | Clearance (A) | Total Under Sizing Required | |
|-----------|---------------|-----------------------------|---------------|
| | | Single Door | Pair of Doors |
| Square | 1/4" | 7/16" | 11/16" |



SELECT HINGES[®]

SELECT Products Limited

3258 Stadium Park Way
Kalamazoo, MI 49009
PH: 800-423-1174
Fax: 800-423-7107
www.select-hinges.com

H-02-17-08-20