

INSTALLATION INSTRUCTIONS

Swing Clear Pin & Barrel Continuous Hinge SL311



PRODUCT MUST BE INSTALLED ACCORDING TO ALL APPLICABLE BUILDING AND LIFE SAFETY CODES

All holes in door and frame must be drilled correctly and fasteners properly installed. Failure to use fasteners supplied by Select Products Limited will void UL or WHI fire rated listing.

Important Warranty Information:

The following actions will void any warranty, expressed or implied:

- Failure to install the hinge according to the manufacturer's specifications and requirements.
(for more information, visit selecthingerequirements.com)
- Use of fasteners other than those supplied with the hinge.
- Unauthorized field modifications, including alteration of the original finish or painting the hinge.

1. Frame Preparation

A. Place hinge frame leaf on frame face. Position top of hinge 1/8" maximum below header. Place hinge firmly against face of frame. Position frame leaf edge 3/16" from rabbet as shown (Fig. 1 & 2).

B. Mark top and bottom two holes with hinge held firmly in place. Remove hinge. A center punch can help center hole so that fasteners will enter straight. Prepare to drill frame.

C. Drill Holes:

Wood Frame: Drill holes using a 5/32" drill bit.

Hollow Metal Frame: Drill holes using a #16 drill bit.
If hollow metal frame is reinforced, thread all holes with #12-24 tap.

D. Install hinge with four screws:

Wood: Attach hinge using #12-8 x 1-1/2" Flat Head Undercut Wood Screws

Hollow Metal: Attach hinge using #12-24 x 11/16" Flat Head Undercut Self-Drilling Screws

E. Mark remaining mounting holes, remove hinge and repeat step C.

Do not install hinge to frame at this time.

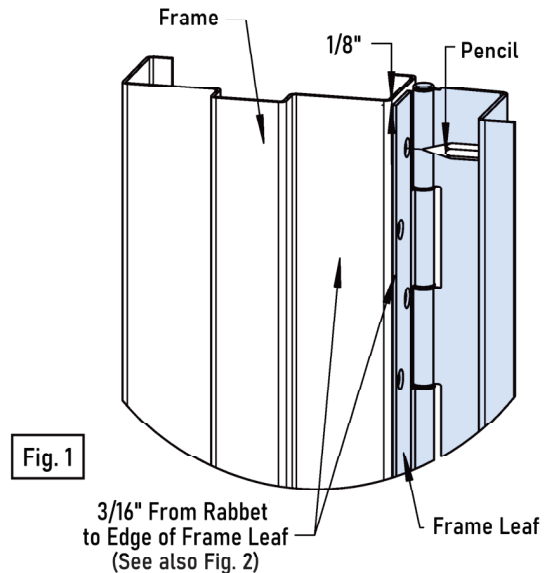


Fig. 1

3/16" From Rabbet to Edge of Frame Leaf (See also Fig. 2)

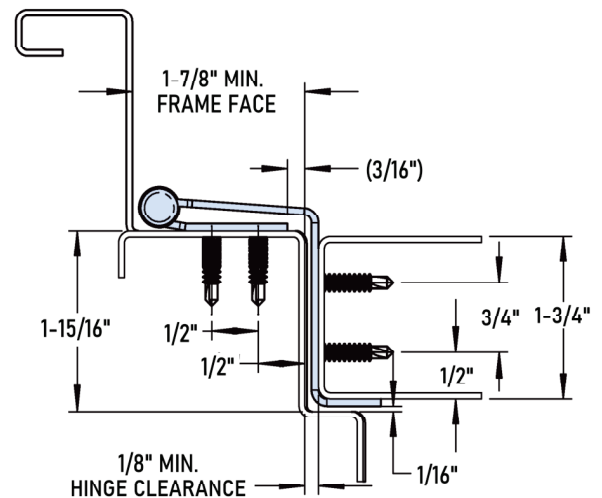


Fig. 2

2. Door Preparation

A. Place hinge door leaf on edge of door. Position top of hinge flush with top of door (Fig 3).

B. Mark and center punch each hole on door with hinge held firmly in place. Remove hinge from door and prepare to drill door.

C. Drilling Doors:

Wood Doors: Drill all holes using a 5/32" drill bit.

Hollow Metal Doors: Drill all holes using a #16 drill bit. If hollow metal door is reinforced, thread all holes with #12-24 tap.

3. Hinge Installation

A. Attaching hinge to door (Fig 4):

Wood: Attach hinge using #12-8 x 1-1/2" Flat Head Undercut Wood Screws

Hollow Metal: Attach hinge using #12-24 x 11/16" Flat Head Undercut Self-Drilling Screws

B. Attaching hinge to frame (Fig 5):

Wood: Attach hinge using #12-8x 1-1/2" Flat Head Undercut Wood Screws

Hollow Metal: Attach hinge using #12-24 x 11/16" Flat Head Undercut Self-Drilling Screws

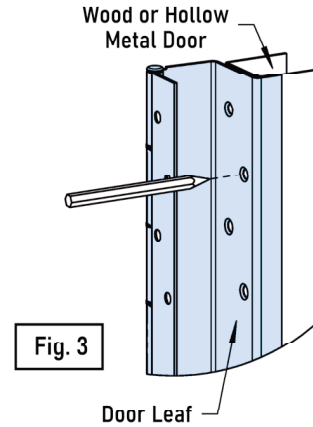


Fig. 3

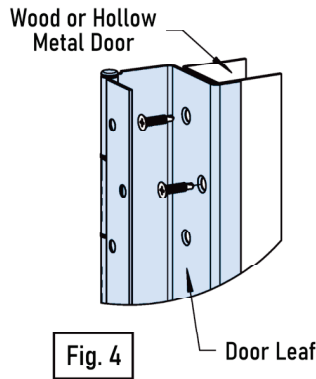


Fig. 4

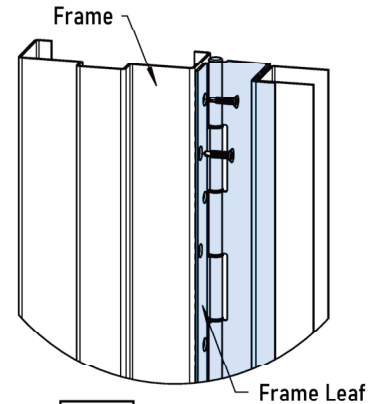
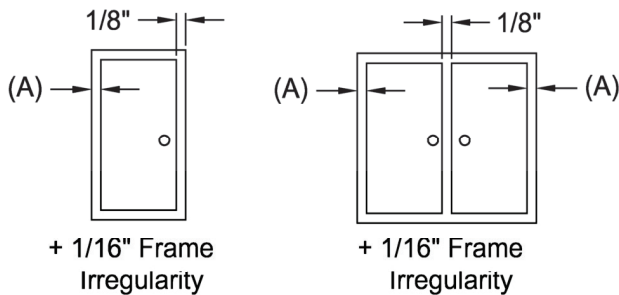


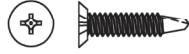

Fig. 5

Model SL311

Standard "Non-Adjustable" application clearances

Clearance (A)	Total Under-Sizing Required	
	Single Door	Pair of Doors
1/8"	5/16"	7/16"



STANDARD HARDWARE
 #12-24 X 11/16" FLAT HEAD UNDERCUT SELF-DRILLING SCREW (TKS1267SP10SS)
OPTIONAL HARDWARE AVAILABLE UPON REQUEST
 #12-8 x 1-1/2" FLAT HEAD UNDERCUT WOOD SCREW (PBS12150SP10SS)
SECURITY SCREWPACKS M91-0031MM, M91-0031MW, M91-0031WW



SELECT HINGES®

SELECT Products Limited

3258 Stadium Park Way
 Kalamazoo, MI 49009
 PH: 800-423-1174
 Fax: 800-423-7107
 www.select-hinges.com