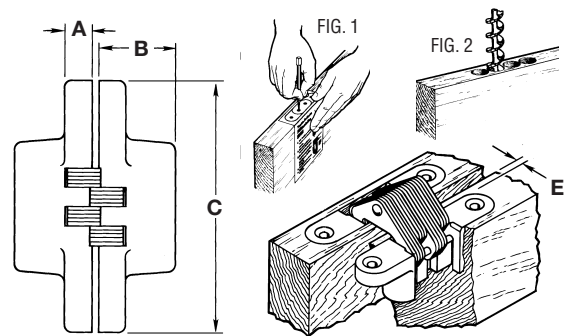


Router Guides available for the following hinges. Use these guides for fast, easy installation with professional results.

Hinge #	Guide #	Cost Each
101	101-IT	\$30.00
103	103-IT	\$30.00
203	203-IT	\$30.00
204	204-IT	\$30.00

Prices include shipping & handling.

Check guide # desired:
 101-IT 103-IT 203-IT 204-IT



Model	Dimensions				Drill Size	Min-Max Wood Thickness
	A	B	C	E		
100	1/4"	1/2"	1"	3/32"	3/8"	1/2" - 47/64"
101	7/32"	1/2"	1 11/16"	3/32"	3/8"	1/2" - 47/64"
103	7/32"	5/8"	1 1/2"	1/8"	1/2"	3/4" - 63/64"
203	3/16"	3/4"	1 3/4"	1/8"	1/2"	3/4" - 63/64"
204	1/4"	3/4"	2 3/8"	1/8"	1/2"	3/4" - 63/64"
303	-	5/8"	1 1/2"	1/8"	1/2"	1 1/16" - 63/64"

SOSS 203



(FOLD ON LINE)

- 1 Lay paper template on edge of door as shown in Figure 1, with template corresponding to mark you made in measuring proper distance from top of door.
- 2 Fold template on dashed line over edge of pull-to-open side of door. Punch hole through drill point cross hairs to mark their location on door.
- 3 Using router or drill of proper size, bore holes to required depth as shown in Figure 2. Consult table for this dimension.
- 4 Using router or chisel, remove wood to connect holes for smooth mortise.
- 5 Insert one-half of the hinge into door mortise.
- 6 Drill pilot holes for screws. Use No. 52 (.0635") drill bit for soft wood or No. 44 (.0860") for hard wood. Use #2 phillips screwdriver for enclosed #6 x 1" wood screws.
- 7 Repeat above steps to install hinge in jamb.
- 8 Lubrication may be used if necessary.

NOTE: Do not hammer or force hinge.

SOSS 204

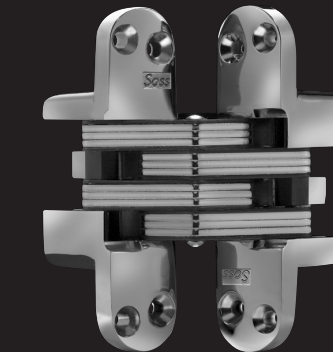


(FOLD ON LINE)

- 1 Lay paper template on edge of door as shown in Figure 1, with template corresponding to mark you made in measuring proper distance from top of door.
- 2 Fold template on dashed line over edge of pull-to-open side of door. Punch hole through drill point cross hairs to mark their location on door.
- 3 Using router or drill of proper size, bore holes to required depth as shown in Figure 2. Consult table for this dimension.
- 4 Using router or chisel, remove wood to connect holes for smooth mortise.
- 5 Insert one-half of the hinge into door mortise.
- 6 Drill pilot holes for screws. Use No. 51 (.0670") drill bit for soft wood or No. 39 (.0995") for hard wood. Use #2 phillips screwdriver for enclosed #7 x 1 1/4" wood screws.
- 7 Repeat above steps to install hinge in jamb.
- 8 Lubrication may be used if necessary.

NOTE: Do not hammer or force hinge.

Installation Instructions



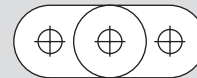
Thank You...

For purchasing these SOSS Invisible Hinges® We believe you'll find that SOSS® Invisibles are the ideal hinge to use when you want a clean, contemporary, no hardware look. One additional benefit you'll find is that they are tamperproof.

We have 29 models in Satin Brass and Satin Chrome and most models in Satin Nickel, Bright Brass, Bright Chrome, Bright Nickel, Black and Unplated if you have future projects in mind. Check at your local hardware for the larger models; but if they don't carry them, please call us for the name of your nearest retailer.

Thank you again for your purchase of the SOSS Invisibles.

SOSS 100



(FOLD ON LINE)

- 1 Lay paper template on edge of door as shown in Figure 1, with template corresponding to mark you made in measuring proper distance from top of door.
- 2 Fold template on dashed line over edge of pull-to-open side of door. Punch hole through drill point cross hairs to mark their location on door.
- 3 Using router or drill of proper size, bore holes to required depth as shown in Figure 2. Consult table for this dimension.
- 4 Using router or chisel, remove wood to connect holes for smooth mortise.
- 5 Insert one-half of the hinge into door mortise.
- 6 Drill pilot holes for screws. Use No. 53 (.0595") drill bit for soft wood or No. 47 (.0785") for hard wood. Use #2 phillips screwdriver for enclosed #5 x 3/4" wood screws.
- 7 Repeat above steps to install hinge in jamb.
- 8 Lubrication may be used if necessary.

NOTE: Do not hammer or force hinge.

SOSS 101

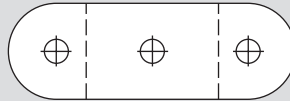


(FOLD ON LINE)

- 1 Lay paper template on edge of door as shown in Figure 1, with template corresponding to mark you made in measuring proper distance from top of door.
- 2 Fold template on dashed line over edge of pull-to-open side of door. Punch hole through drill point cross hairs to mark their location on door.
- 3 Using router or drill of proper size, bore holes to required depth as shown in Figure 2. Consult table for this dimension.
- 4 Using router or chisel, remove wood to connect holes for smooth mortise.
- 5 Insert one-half of the hinge into door mortise.
- 6 Drill pilot holes for screws. Use No. 53 (.0595") drill bit for soft wood or No. 47 (.0785") for hard wood. Use #2 phillips screwdriver for enclosed #5 x 3/4" wood screws.
- 7 Repeat above steps to install hinge in jamb.
- 8 Lubrication may be used if necessary.

NOTE: Do not hammer or force hinge.

SOSS 103, 303



(FOLD ON LINE)

- 1 Lay paper template on edge of door as shown in Figure 1, with template corresponding to mark you made in measuring proper distance from top of door.
- 2 Fold template on dashed line over edge of pull-to-open side of door. Punch hole through drill point cross hairs to mark their location on door.
- 3 Using proper router or drill, bore holes to required depth. See table for dimension.
- 4 Using router or chisel, remove wood to connect holes for smooth mortise.
- 5 Insert one-half of the hinge into door mortise.
- 6 Drill pilot holes for screws. For #103, use No. 52 (.0635") drill bit for soft wood or No. 44 (.0860") for hard wood. Use #2 phillips screwdriver for enclosed #6 x 1" wood screws. For #303, use No. 53 (.0595") drill bit for soft wood or No. 47 (.0785") for hard wood. Use #2 phillips screwdriver for enclosed #5 x 3/4" wood screws.
- 7 Repeat above steps to install hinge in jamb.
- 8 Lubrication may be used if necessary. **NOTE: Do not hammer or force hinge.**

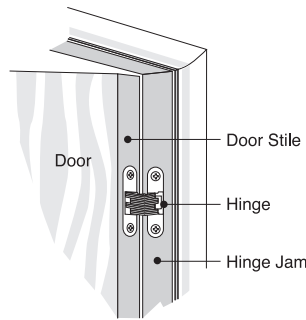
SOSS®

Invisible Hinges

Universal Industrial Products, Inc.

One Coreway Drive
Pioneer, OH, USA 43554-0628
Phone: (419) 737-2324 (800) 922-6957
FAX: (419) 737-2130
Email: hinges@sooss.com
Internet: www.soss.com

© Copyright 2015, Universal Industrial Products, Inc.



Router Guide Order Form

See other side of form for which guide to order.

SAVE TIME, GET EXACT FIT

If you cannot obtain the wooden router guide from your dealer, use the order form below.

Name _____

Street _____

City _____

State _____

Zip _____

Mail check & order form to:

Universal Industrial Products, Inc.
P.O. Box 628
Pioneer, Ohio 43554-0628

#9543A