

**STI offers an array of products to protect the things that protect you.**



# Application Guide for Correctional Facilities

## FIRE



## CABINETS - COVERS - ENCLOSURES



## WIRE GUARDS



## ALARMS & CHIMES



## BUTTONS & SWITCHES



## HOME & WORK



**Safety Technology International**

We protect the things that protect you.®

[www.sti-usa.com](http://www.sti-usa.com)

**Pull Station Protector**  
STI-1100  
Stopper II® with  
Horn, Flush



**Wire Guard**  
STI-9708-R  
Horn/Strobe/Speaker  
Damage Stopper®



**Clear Protective Cover**  
STI-1300NC  
Universal Stopper®, Flush



**Emergency Button**  
SS2402EM-EN  
Stopper® Station, Blue,  
Key-to-Reset



**Emergency Button**  
SS2209PO-EN  
Stopper® Station,  
Yellow, Momentary  
Mushroom



**Thermostat Protector**  
STI-9110  
Thermostat Protector  
with Key Lock - Clear



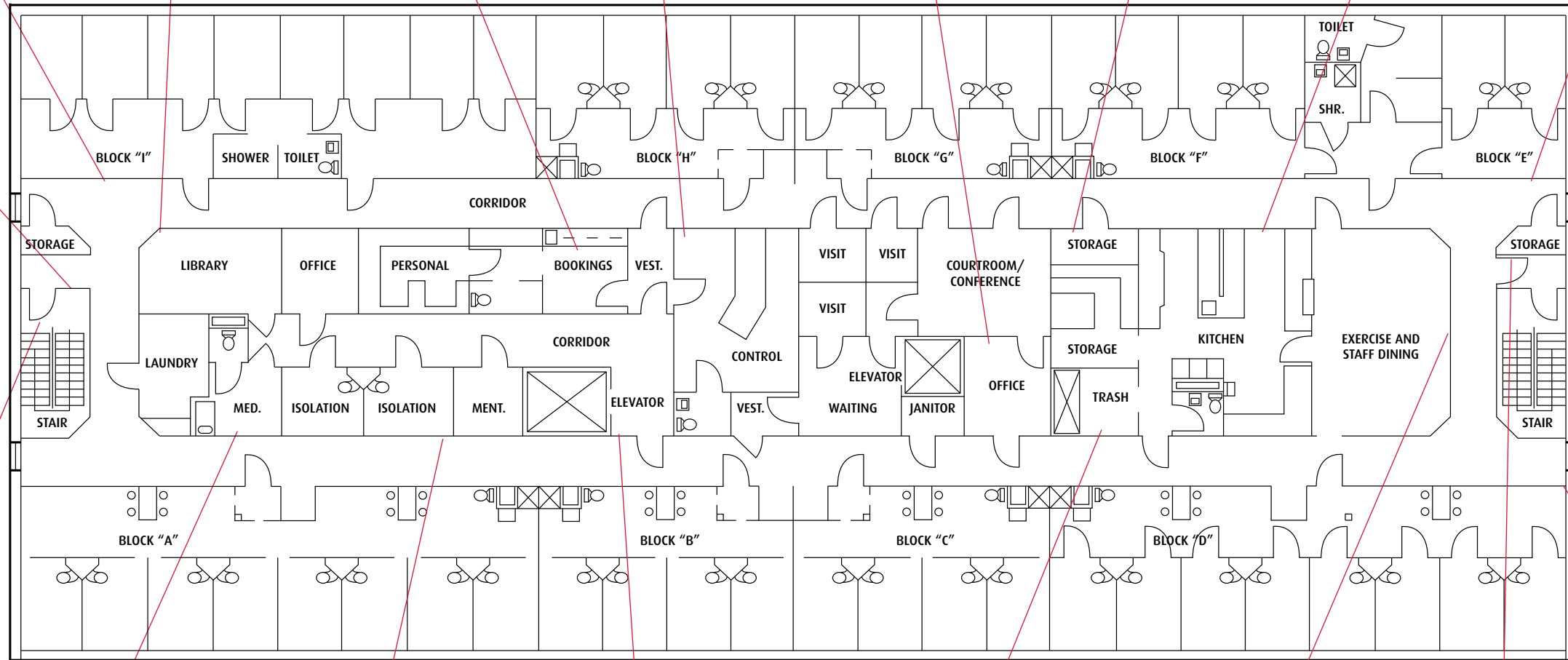
**Mini Alarm**  
STI-SA5000-A  
Select-Alert Alarm Mini  
Controller, Amber



**Horn/Strobe Guard**  
STI-1210D  
Horn/Strobe Damage Stopper®  
and Open Backbox with  
Conduit Knockout



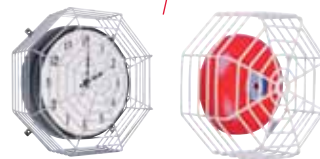
**CCTV Housing**  
STI-7100K  
CCTV Housing  
Aluminum



**Exit Sign Cage**  
STI-9640  
Exit Sign Damage  
Stopper®



**Thumb Lock Cabinet**  
STI-7531AED  
AED protective cabinet with  
wire shelf



**Clock/Bell Protector**  
STI-9631  
Clock/Bell  
Damage Stopper®



**Door Chime**  
STI-3360  
Entry Alert Chime



**Smoke Detector Protector**  
STI-8200-SS  
Smoke Detector Damager  
Stopper® with Conduit Spacer,  
Stainless Steel



**Emergency Button**  
SS2009EM-EN  
Stopper® Station,  
Red, Turn-to-Reset



**Door Alarm**  
STI-6400  
Exit Stopper®  
Multifunction Door Alarm



**Motion Detector Protector**  
STI-9618  
Motion Detector Damage  
Stopper®, Corner Mount