

# Electronic access control

Ives® , LCN® , Schlage®  
and Von Duprin®

Fall 2020 edition



Thank you for choosing Allegion electronic access control products. This catalog contains overviews and technical specifications. In the back of the catalog you will find wiring and riser diagrams for a number of products.

The electronic security industry is ever-changing. In order to make sure that you have the most current and up to date product information, we recommend that you register your catalog. If you are viewing this catalog on the web, click on the registration button on the bottom of the toolbar seen on the left side of your viewer. Otherwise go to [epub.allegion.com/eac](http://epub.allegion.com/eac) to register. By registering and providing your email address, you will be notified each time Allegion releases an updated version of the catalog as well as other product and solution information from Allegion.

#### Additional resources

##### Product Information and Learning

- Allegion Website  
[www.allegion.com/us](http://www.allegion.com/us)
- I Dig Hardware Blog  
[www.idighardware.com](http://www.idighardware.com)
- Online Courses  
<https://us.allegion.com/en/home/training.html>
- Application and Installation Videos  
<https://us.allegion.com/en/home/training-videos.html.html#top>
- YouTube  
[Schlage Security Channel](https://www.youtube.com/channel/UC6V0Zm0K3Uw0l0V0Zm0K3Uw)
- Electronic Lock Configurator  
<https://elock.allegion.com/Users/Login>

##### News

- Twitter  
[www.twitter.com/allegionus](https://www.twitter.com/allegionus)

- Integration Insider Newsletter

<https://us.allegion.com/en/home/trade/integrator.html>

##### Support

- Online Schlage Electronics Support  
<https://us.allegion.com/en/home/support/library.html>
- Technical library  
<https://us.allegion.com/en/home/support/library.html>

**Customer Care, Sales and Technical Support**  
1.877.671.7011





# Electronic access control catalog

Open architecture products  
and solutions

## Table of contents

### ENGAGE™ technology solutions

010476 ENGAGE™ technology solutions introduction

#### Locks, exit devices and accessories with ENGAGE technology

010409	NDE/NDEB wireless cylindrical lock
011389	LE/LEB wireless mortise lock
013252	Schlage Control™ mobile enabled deadbolt and interconnected lock
013616	Schlage mobile enabled retrofit kits
011910	CTE ENGAGE™ single door controller with multi-technology reader
011427	ENGAGE™ cloud-based web and mobile applications
011168	MT20W credential enrollment reader
011898	Remote undogging (RU) and remote monitoring (RM)
010842	GWE ENGAGE Gateway with IP (PoE) and RS-485 communication
013210	TKE ENGAGE™ Test Kit

### Networked locking solutions

005022 Networked locking solutions introduction

#### Networked locks

004446	AD-400 networked wireless electronic lock
004870	AD-402 FIPS 201-2 integration ready networked wireless electronic lock
004448	AD-300 networked hardwired electronic lock
004869	AD-302 FIPS 201-2 integration ready networked hardwired electronic lock
004382	AD Series exit trim compatibility
010432	AD Series and CO Series lever and cylinder compatibility

#### Networked accessories

004447	PIM400-485 Panel Interface Module for RS-485 communication
004441	PIM400-TD2 Panel Interface Module Wiegand or Clock & Data communication
005131	PIM400-1501 Sixteen door intelligent controller
004094	TK400 AD Series wireless test kit
004096	WPR400 AD Series Wireless Portable Reader
004014	WRI400 Wireless Reader Interface
004013	GCK400 and ECK400 wireless gate control kits and elevator control kits
004095	ANT400-REM remote antennas for wireless system

004097	RLBD AD Series dry contact relay board
004015	REPTR400 wireless repeater kit
013622	Schlage Utility Software (SUS)

---

### Standalone locking solutions

---

005427	Standalone locking solutions introduction
<b>Standalone locks and devices</b>	
004442	AD-200 standalone electronic lock
009820	AD-201 FIPS 201-1 standalone electronic lock
004436	AD-250 standalone electronic lock
004382	AD Series exit trim compatibility
004186	CO-100 standalone electronic lock
004185	CO-200 standalone electronic lock
009575	CO-220 standalone classroom lockdown solution with remote fob and visual indicator
004184	CO-250 standalone electronic lock
004183	CO Series exit trim compatibility
010432	AD Series and CO Series lever and cylinder compatibility
004016	CT5000 offline controller

### Standalone accessories

004443	Schlage Utility Software (SUS) on the Handheld Device (HHD)
003940	Schlage Express™ offline access control software
009396	Schlage Express™ compatibility matrix

---

### Electromechanical solutions

---

005024	Electromechanical solutions introduction
--------	--

### Electrified locks

004998	L series electrified mortise lock
004999	ND Series electrified cylindrical lock

### Exit devices - electrical options

006586	QEL electric latch retraction
010103	E996L/L-BE electrified breakaway lever trim
013467	M996L/L-BE motorized breakaway lever trim

### Delayed egress/alarmed exits

010942	CHEXIT, RCM and DE5300
--------	------------------------

### Monitor strikes

010118	Monitor strikes
--------	-----------------

### Door control - electrical options

#### Automatic operators

010112	Electrohydraulic automatic operators
010113	Electromechanical automatic operators

#### Sentronics (fire and life safety)

010115	Fire and life safety Sentronic closer/holders
--------	---

#### Actuators and sensors

010114	Actuators and sensors
--------	-----------------------

---



---

### Readers

---

005025	Readers introduction
013251	Mobile enabled multi-technology readers
005354	Multi-technology readers
009621	Reader accessories for readers
010523	MT20 multi-technology enrollment reader
004250	SERIII-W scramble keypad
004246	SMR10 and SMR20 mercury magnetic stripe readers
004253	SMR5 magnetic stripe reader
004252	SEKPDWG & SEKPDWG Essex electronic keypads

---

### Credentials

---

005388	Credentials introduction
013465	Schlage Mobile Access Credentials
013287	Mobile Student ID
005424	Smart credentials
005425	Multi-technology credentials
005426	Proximity credentials

---

### Biometrics

---

005027	Biometrics introduction
004535	HandKey® II biometric hand geometry reader
004400	Biometric terminal accessories for HandKey®
004398	Enclosure options for the HandKey® series
004399	HandNet® for Windows

---

### System components

---

005028	System components introduction
--------	--------------------------------

### Electric strikes

010151	4200 Series electric strikes
005009	5100 Series electric strikes
005282	6100 Series electric strikes
005368	6200 Series electric strikes
003242	6300 Series surface mount electric strikes
009011	6400 Series modular strike

### Electromagnetic locks

#### M400 Series

004204	M490/492 electromagnetic locks
004205	M450/452 electromagnetic locks
004206	M420/422 electromagnetic locks
004158	M490G electromagnetic gate lock
004762	M490DE delayed egress electromagnetic lock

#### Specialty

004160	GF3000 mortise mounted shear lock
004159	GF3000 surface mounted shear lock
004157	320M mortise mount MiniLine™ electromagnetic lock
009007	M390RFK electromagnetic locks



## Power supplies

### PS900 Series power supplies

004193	PS906 6 amp power supply
004194	PS904 4 amp power supply
004195	PS902 2 amp power supply
004101	PS914 4 amp power supply (Von Duprin®)

## System component accessories

### Pushbuttons

003910	620/631 Series heavy duty pushbuttons
003911	700 Series pushbuttons
003906	740 Series emergency break glass release
003912	660 Series mini station control

### Keyswitches

003907	650 Series keyswitches
--------	------------------------

### Request-to-exit bars

003909	672 Series TouchBar
003904	692 Series SmartBar™

### Power transfers

010106	Electric power transfer
010116	Electrified hinge
010117	Power transfer pivot
005006	Armored door cords with caps

### Monitoring stations and consoles

005007	800/801 Series remote and local monitoring stations
005004	8200 Series consoles

### Other

003908	Scan II™ passive infrared motion sensors
003905	1910 electronic horns
005005	Door position switches
013632	FSS1 high security door monitoring sensor
005011	PB405 and PB405S electrified deadbolts
010152	442S Cabinet lock

---

## Appendix

005138	Appendix introduction
--------	-----------------------

## Wiring diagrams

### Access control

105234	Pair of RX EL with MT15 reader
112131	Pair QEL and MT156 reader
105349	Single AD-300 Integrated Partner
105348	Single AD-300 PIB300 Wiegand
105351	Single PIM 485 Integrated Partner
105350	Single PIMTD2 Wiegand
112121	CO-100 with remote pushbutton
109439	Single with 99 exit and FSE 6111 estrike
109440	4 Singles with EL panic bars

109444	Pair with ELs and push button
109445	Pair with Fail Safe E996L and push button
109499	Single with EL and MT15 reader
112133	Single with QEL, 621AA push button – Fire Rated
109550	Single with EL and push button
109551	Pair of EL and push button
109552	Single EL with push button – Fire Rated
109553	Pair EL with push button – Fire Rated
<b>Doors with automatic operators – LCN® and Falcon</b>	
104970	Double doors with EL and LCN 4600 AO
104972	Single Electric Strike with LCN 4600 AO
104968	2 Single Doors with LCN ES7982 AO
109463	Pair EL with 4600
109464	Single with 99 and Fail Secure 6111 estrike
113517	Single door with LCN Sr Swing AO, estrike and touchless actuators
113518	Single door with LCN Sr Swing AO, QEL, CTE and touchless actuators
113520	Single door LCN Sr Swing AO, estrike, CTE and touchless actuator
113521	Single door Falcon 8200 AO non latching with touchless actuators
<b>Doors with automatic operators – generic</b>	
109441	Single with EL and generic auto operator
112132	Single QEL with auto operator and access control
<b>Security interlocks</b>	
104967	2 Single Doors with M400 Mag Locks Security Interlock
109438	2 Single doors with M400 mag locks, security interlock
109442	2 Single doors with M400P mag locks and access control, security interlock
<b>Safety interlocks</b>	
109443	2 Pairs Safety Interlock with M4X2P Mag Locks
109437	2 Door safety interlock with M400 P magnetic locks
<b>Delayed egress – CX panic bars</b>	
112289	CX Single Door with PS902
112290	CX Pair with PS904 and access control"
<b>Delayed egress – delayed egress magnetic locks</b>	
109498	Single Door with M490DEP mag lock and access control
109500	Pair Doors with M490DEP-2 mag lock and access control
<b>Shared spaces – 2 door</b>	
109529	2 Single doors with ND80 HDEL RX locksets on shared restroom
<b>Shared spaces – 3 door</b>	

109537	3 Single doors with ND80 HD EL RX locksets on shared restroom
112089	PoE+ CTE basic configuration with 5100 estrike
112090	CTE with EL, PS914/2RS fire rated
112091	CTE, QEL with Sr Swing auto operator

Allegion, the Allegion logo, Chexit, ENGAGE technology, Guard-X, LCN, Schlage, Schlage Express, Schlage Express Cloud, SmartBar and Von Duprin are trademarks of Allegion plc, its subsidiaries and/or affiliates in the United States and other countries. All other trademarks are the property of their respective owners.

## About Allegion

Allegion (NYSE: ALLE) is a global pioneer in safety and security, with leading brands like CISA®, Interflex®, LCN®, Schlage®, SimonsVoss® and Von Duprin®. Focusing on security around the door and adjacent areas, Allegion produces a range of solutions for homes, businesses, schools and other institutions. Allegion is a \$2 billion company, with products sold in almost 130 countries. For more, visit [www.allegion.com](http://www.allegion.com).

KRYPTONITE ■ LCN ■  ■ STEELCRAFT ■ VON DUPRIN



© 2020 Allegion  
005391, Rev. 9/20  
[www.allegion.com/us](http://www.allegion.com/us)





## Products featuring ENGAGE™ technology

This section of the Electronic Access Control Catalog covers Schlage Control™, NDE and LE wireless locks; CTE single door controller; ENGAGE™ web and mobile apps; Von Duprin® remote undogging (RU) and remote monitoring (RM) options for exit devices, the ENGAGE™ Gateway and ENGAGE TKE test kit.

### Overview

Schlage® wireless electronic locks with ENGAGE™ technology open the door to a new level of intelligence with optimal visibility and control. And now the Schlage Control, NDE and LE wireless locks are available with a mobile enabled option that gives users the security and convenience of using a smart device to gain access.<sup>1</sup> Installation is simplified by combining the lock, reader, and access control sensors into one battery-powered unit; no need to run wires to the opening. Built-in Wi-Fi® and Bluetooth® radios enable the locks to connect directly to smart phones and tablets for easy set-up, to existing IT networks for automatic daily updates<sup>2</sup> and to the ENGAGE Gateway for real-time access control with one of our Physical Access Control Software (PACS) providers.

The CTE is an ENGAGE™ enabled single opening controller that allows perimeter and common area openings to be managed in a single system along with Schlage Control™ smart locks, NDE and LE wireless locks. It is ideal for multifamily, commercial mixed use, narrow stile and retail store front applications. The CTE is designed to work with a Schlage mobile enabled multi-technology reader and interface with an electrified lock, electromagnetic lock, electric strike, automatic operator, or exit device to control an opening.

The Von Duprin® RU retrofit kit for exit devices is a cost effective solution for these secondary openings that enables remote undogging for centralized lock down and door status monitoring. It connects wirelessly to PACS providers' access control panels via an IP or RS485 connection to the ENGAGE™ gateway. It is a modular battery powered kit that can be added on to existing 98/99 and 33A/35A series devices. The RM option is a sensor only configuration for exit only or fire rate doors that require monitoring. It provides visibility to request to exit (RX), latchbolt monitor (LX) and door position switch (DPS).

### Schlage Mobile Access Solutions

Schlage offers one of the most comprehensive, secure and flexible mobile access solution available in the industry today. The Schlage mobile enabled device offering includes the Schlage Control, NDE and LE wireless electronic locks and Schlage multi-technology readers.

Schlage mobile enabled devices are currently compatible with the Schlage Mobile Access Credential issued via ENGAGE™. Additional mobile credential compatibility is dependent on an integrated PACS provider mobile credential availability.

<sup>1</sup> Use of mobile credential on mobile enabled locks is dependent on availability of compatible mobile credential

<sup>2</sup> Wi-Fi not available on Schlage Control smart locks

## Features:

Schlage Control™, LE and NDE wireless locks are designed to work together across commercial, institutional and multifamily properties and share the following features:

- Ready for the future with the ability to read mobile credentials with mobile enabled lock options
- Built on robust, reliable mechanical platforms
- Built-in credential reader and sensors for simplified installation
- Built-in Bluetooth® and Wi-Fi<sup>1</sup> connectivity
- Up to 2-year battery life with typical use

Schlage NDE wireless locks feature a refined design and offer quick and easy installation. With its new interior push button with indication the NDE can be configured for storeroom, privacy, office and apartment functions. NDE locks can be ordered as mobile enabled and are compatible with most proximity, smart and mobile credentials from Schlage.

Schlage LE wireless mortise locks feature an elegant design for doors with mortise prep and a wide variety of levers are available to complement any décor. Choose from Greenwich two-piece sectional or Addison escutcheon trim. There are three chassis options that all feature an interior LED indicator; standard mortise, mortise with interior push button, and mortise deadbolt. The LE can be configured for storeroom, privacy, office and apartment functions. LE locks can be ordered as mobile enabled and are compatible with most proximity, smart and mobile credentials from Schlage.

Schlage Control™ mobile enabled smart deadbolts and interconnected locks are specifically designed for multifamily resident entries and are compatible with smart and mobile credentials from Schlage. Choose Greenwich or Addison trim options to match the style of the property. Keyless, no cylinder design makes the lock pick proof.

The CTE single door controller is sold with a Schlage mobile enabled multi-technology credential reader (MTB11 or MTB15) and is designed to interface with an electrified lock, electromagnetic lock, electric strike, automatic operator or exit device to control an opening.

## Benefits:

We enable a new level of efficiency and convenience by adding built-in intelligence and communication technology to our world-class mechanical locks and exit device options. Solutions featuring Schlage Control™, LE and NDE wireless locks, the CTE single door controller and Von Duprin RU and RM option can be scaled to deliver enhanced value to virtually any property of facility.

### Manage with ENGAGE™ cloud-based web and mobile applications<sup>2</sup>

We offer an easy, turn-key solution featuring ENGAGE™ cloud-based web and mobile applications for customers who are looking to take the first step into electronic access control. With this solution, the end user has the capability to configure locks, manage users, enroll credentials, assign schedules, and view audits from anywhere using the web and mobile apps. Updates can be delivered immediately at the lock, automatically (overnight) when locks are connected to Wi-Fi<sup>1</sup> network, or with No-Tour using smart credentials to deliver updates to the lock. And now, ENGAGE has the capability to issue and manage Schlage Mobile Access Mobile Credentials - giving users the security and convenience of using their mobile device to gain access to ENGAGE managed openings.

### Manage with PACS provider solutions

Schlage Control™, NDE, LE wireless locks and Von Duprin RU and RM options are designed to complement traditional electronic access control (EAC) solutions to extend the benefits of EAC deeper into the facility. Our wireless devices have been integrated with industry leading access control software providers to offer a wide range of features and advanced capabilities that vary by system. Flexible connectivity options include RS-485, IP, Wi-Fi<sup>1</sup>, and No-Tour by using smart credentials to update the lock. The ENGAGE™ Gateway can be used to connect Schlage wireless locks to the PACS providers' access control system for real-time updates via RS-485 or IP. Please visit [us.allegion.com/alliances](http://us.allegion.com/alliances) to learn more about our PACS providers.

1 Wi-Fi available on NDE, LE and CTE only

2 Does not apply to Von Duprin RU and RM options

Allegion, the Allegion logo, ENGAGE Technology, the ENGAGE Technology logo, Schlage and the Schlage logo are trademarks of Allegion plc, its subsidiaries and/or affiliates in the United States and other countries. All other trademarks are the property of their respective owners.

## About Allegion

Allegion (NYSE: ALLE) is a global pioneer in safety and security, with leading brands like CISA®, Interflex®, LCN®, Schlage®, SimonsVoss® and Von Duprin®. Focusing on security around the door and adjacent areas, Allegion produces a range of solutions for homes, businesses, schools and other institutions. Allegion is a \$2 billion company, with products sold in almost 130 countries. For more, visit [www.allegion.com](http://www.allegion.com).





## NDE

Wireless cylindrical lock  
 NDEB – mobile enabled  
 with interior push button  
 NDE – standard



### Overview

The Schlage® NDE wireless cylindrical lock is designed to affordably extend electronic access control deeper into the building beyond traditional perimeter and high security openings. And now Schlage offers the NDE wireless lock with a mobile enabled option that gives users the security and convenience of using a smart device to gain access<sup>1</sup>.

NDE wireless locks simplify installation by combining the lock, credential reader, door position sensor and request-to-exit switch all in one unit. NDE wireless locks require only minor modifications to existing mechanical Schlage ND cylindrical door prep; and eliminate the need to install additional components or run wires to each opening.

The new NDEB mobile enabled wireless lock also has an interior push button with indication that expands the way the lock operates to include storeroom, office, privacy and apartment functions.

NDE wireless locks can be set up and configured wirelessly with a connected smartphone or tablet - no proprietary device needed. With the ENGAGE™ cloud-based web and mobile apps, it's easy to configure lock settings, add users, and view audits and alerts from virtually anywhere. And using the built-in Wi-Fi®, automated daily updates to lock configuration and user access rights are possible.

The open architecture design allows for advanced capabilities including networked real-time communication. Using the ENGAGE Gateway and an integrated solution from one of our physical access control software (PACS) providers,<sup>2</sup> Schlage offers organizations the freedom to use the solution of their choice.

The NDE is ideal for office and suite entries, conference rooms, common area doors, resident units, and sensitive storage areas with cylindrical door prep. NDE suites with all Schlage ND levers and keyways, and most finishes, providing attractive options to meet the requirements of nearly any environment.

1 Use of mobile credential on the NDEB mobile enabled lock is dependent on availability of compatible mobile credential

2 Integration with NDEB mobile enabled wireless locks required for operation. For information on PACS providers and their capabilities visit [us.allegion.com/alliances](http://us.allegion.com/alliances).

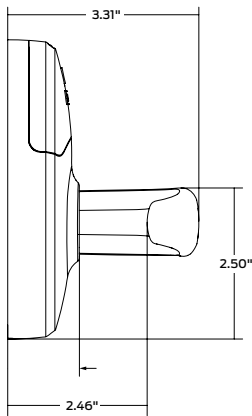
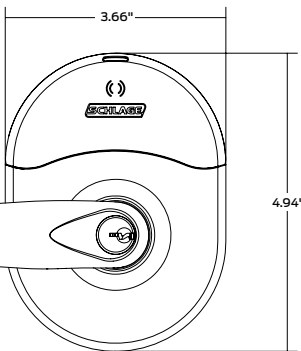
### Features and benefits

- Ready for the future with the ability to read Bluetooth (NDEB) and NFC (NDE, NDEB) mobile credentials
- NDEB includes interior push button with indication for storeroom, office, privacy, and apartment applications
- Wireless configuration from connected smartphones and tablets
- Built-in Wi-Fi® enables automated daily updates sent directly from host software
- Networked real-time communication available with the ENGAGE Gateway and PACS provider solutions
- Designed to be easy to install, connect, manage, and use
- Fits mechanical ND door prep with minor modifications
- Weather resistant design for use on perimeter doors
- Lever handing is field reversible in seconds; no tools required
- Up to 2 years of battery life

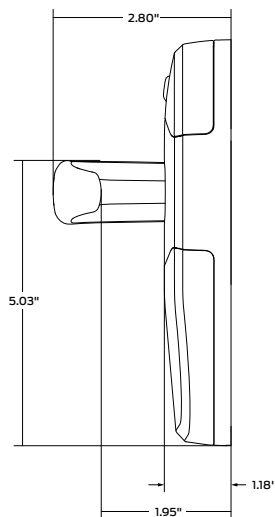
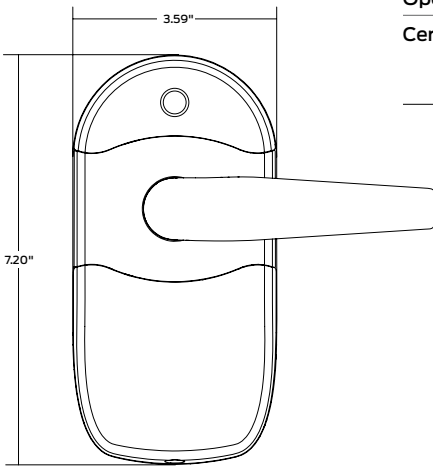
### CYBERSECURITY

Learn about Allegion's commitment

**Exterior of the lock**



**Interior of the lock**



Schlage · NDE

**NDE wireless lock specifications**

Users	Up to 5,000 <sup>1</sup>
Audits	Up to 2,000 <sup>2</sup>
Credential verification time <sup>3</sup>	Smart and proximity: ≤ 1 second Mobile: mobile device dependent
Visual communications	LED (red, amber, green)
Audible communications	Audible indicator (field configurable)
Communication standards	<ul style="list-style-type: none"> <li>▪ 2.4 GHz Wi-Fi® (IEEE 802.11b/g/n)</li> <li>▪ WPA2, WPA, WEP, 802.1x</li> <li>▪ Bluetooth® low energy (version 4.2)</li> <li>▪ Transport Layer Security (TLS) version 1.2</li> <li>▪ Advanced Encryption Standard (AES), 256-bit</li> </ul>
Gateway communication range	Up to 30' in typical building environments. A detailed site survey is recommended using the ENGAGE Test Kit (TKE). Reference ENGAGE™ Gateway Data Sheet for additional detail.
Wake-Up on Radio	Responds to command from host in less than 5 seconds when linked to ENGAGE Gateway (requires PACS provider system)
Data rate	NDE80 = 24mbps, NDEB = 54mbps
Connectivity options	<ul style="list-style-type: none"> <li>▪ Mobile device (send updates at the lock)</li> <li>▪ Wi-Fi access point (automatic daily updates<sup>7</sup>)</li> <li>▪ No-Tour with MT20W enrollment reader and smart credentials</li> <li>▪ ENGAGE Gateway (real-time communication)                             <ul style="list-style-type: none"> <li>- RS-485 to ACP or IP to host</li> </ul> </li> </ul>
Battery life <sup>4</sup>	Uses 4 AA batteries Up to 2 years
Operating temperature	Exterior: -31° to 151°F (-35° to 66°C) Interior: 32° to 120°F (0° to 49°C) (battery)
Operating humidity	0 - 100% non-condensing
Certifications	ANSI/BHMA A156.25-2013 (Indoor/Outdoor), ANSI/BHMA A156.2-2011, Series 4000, Grade 1, UL 294, UL 10C, CSA C22.2 No. 205-MI983, FCC Part 15, IC RSS-210, ADA, RoHS, ICC ANSI A117.1

**Functionality**

- NDEB with Interior Push Button
  - Storeroom
  - Office
  - Privacy
  - Apartment
- NDE
  - Storeroom

NDEB and NDE come with Vandgard® standard

**Available status signals**

- Request-to-exit
- Door position
- Interior cover tamper<sup>5</sup>
- Magnetic tamper
- Battery status
- Lock/unlock status<sup>6</sup>
- Communication status<sup>5</sup>

**Flexible solutions**

NDE wireless locks offer connectivity options to fit any size budget or business.

- 1 Mobile
- 2 No-Tour with MT20W
- 3 Wi-Fi
- 4 Real-time with ENGAGE Gateway

**ENGAGE™ cloud-based web and mobile applications**



The ENGAGE cloud-based web and mobile applications deliver simple and convenient site set-up with basic access management for users and locks. Please refer to the ENGAGE data sheet for additional detail.



<sup>1</sup> Maximum database storage capacity of lock. Can vary by access control software database capacity.  
<sup>2</sup> Maximum audit storage capacity of lock. Can vary by access control software audit storage capacity.  
<sup>3</sup> Response time does not include latency time of host when linked with an ENGAGE Gateway or when using No-Tour.  
<sup>4</sup> Assuming indoor application, default settings, 80 actuations, interior LED disabled and one Wi-Fi update per day.

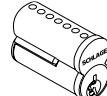
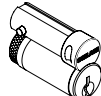
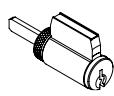
<sup>5</sup> Consult your access control software provider for specific scope of support.  
<sup>6</sup> Software indicates lock/unlock status based on sequence of events.  
<sup>7</sup> When using the ENGAGE cloud-based access management software.



## Mechanical specifications

Chassis	Cylindrical
Handing	Right-handed from factory. Field reversible in seconds (no tools required)
ANSI standard (Meets or exceeds)	ANSI/BHMA A156.25-2013 (Indoor/Outdoor) ANSI/BHMA A156.2-2011, Series 4000, Grade 1
Door thickness	Standard: 1 5/8" - 2" (41mm - 51mm) only
Backset	Standard: 2 3/4" (70mm) Optional: 2 3/8" (60mm)
Latch bolt	Standard: 1/2" (12mm) throw deadlatch (steel) Optional: 3/4" (19mm) throw anti-friction deadlatch available for pairs of fire doors
Levers	Pressure cast zinc, plated
Strike	Standard: 1 3/16" lip, ANSI, DPS, 1 1/4" x 4" Optional: Additional strikes, lip lengths and ANSI strike box available
Cylinder and keys	Standard: Schlage 6-pin Everest 29 S123 keyway Conventional cylinder with two patented keys. Additional keying options available, including interchangeable cores, competitor brands, master keying and grand master keying

## Compatible cylinders



Schlage key systems	Conventional key-in-lever cylinder	Full size interchangeable core	Small format interchangeable core
With cylinder	P, Z	R	G
Construction Core	----	T	H
Disposable Core	----	----	BDC
Less Cylinder	L	J	B
Compatible cylinders listed above are supported on all levers.			
Sargent - Less Cylinder	L SAR	J SAR	----
Corbin - Less Cylinder	L CO6	J CO6, JD CO7	----
Yale - Less cylinder	----	J YA6, JD YA7	----
Medeco - Less cylinder	----	J MED	----
Six-pin competitive cylinders listed above are supported on ATH, SPA, RHO, and TLR levers. Seven-pin competitive cylinders listed above are supported on RHO levers.			

## NDE to NDEB Retrofit Kit

Retrofit kits are available allowing the upgrade of existing NDE locks to the NDEB model, adding mobile enabled functionality and new functions supported by an interior push button with indication.

- Kit includes: Interior escutcheon with PCBA and DPS with lead (requires modified door prep)\*

\* Kit requires reuse of exterior of lock, lock chassis, existing levers/spring cages, battery cover, mounting screws and interior mounting plate.

## Multi-technology reader specifications

Credential technologies	Proximity (125 kHz), Smart (13.56 MHz), Bluetooth Low Energy (BLE) (2.4 GHz), and Near Field Communication (NFC)
Standards	ISO standard 15693 and ISO 14443
Maximum read range	Proximity: up to 1.25" Smart: up to .75" Bluetooth Low Energy: up to 15' NFC: mobile device dependent
Proximity credential compatibility	<b>Compatibility:</b> Schlage®, ISONAS™, HID®, GE/CASI ProxLite®, AWID® and LenelProx® <b>Schlage credential style formats:</b> Clamshell, ISO card, ISO card with magnetic stripe, keyfob, thin keyfob, PVC adhesive disk
Smart credential compatibility <sup>1</sup>	<b>Secure sector compatibility:</b> Schlage MIFARE Classic®, Schlage MIFARE Plus®, Schlage MIFARE® DESFire® EV1 and EV2 with PACSA <b>CSN only compatibility:</b> DESFire, HID iClass®, Inside Contactless Pico Tag®, MIFARE, MIFARE DESFire EV1 and EV2, ST Microelectronics®, Texas Instruments Tag-It®, Phillips I-Code® <b>Schlage credential style formats:</b> Clamshell, ISO card, ISO card with magnetic stripe, keyfob, thin keyfob, wearable wristband, PVC adhesive patch
Mobile credential compatibility	Schlage Mobile Access Credential with Bluetooth <sup>2</sup> , Integrated PACS mobile credential with Bluetooth <sup>3</sup> , NFC-enabled mobile devices <sup>4</sup>

<sup>1</sup> No-Tour applications require a 1K Byte Schlage MIFARE smart credential

<sup>2</sup> Supported through ENGAGE

<sup>3</sup> Dependent on PACS provider capabilities. Visit [us.allegion.com/alliances](http://us.allegion.com/alliances) for more information

<sup>4</sup> See minimum supported guidelines

# Ordering information

NDEB - PD - SPA - 626

Series	Lever cylinder	Outside		Inside		Backset and latch	Strike	Dim	Additional details
		Lever style	Finish	Lever style	Finish				
1	2	3	4	5	6	7	8	9	10

Selections correspond with the numbers above

Standards options are indicated in bold. See price book for specific configuration options.

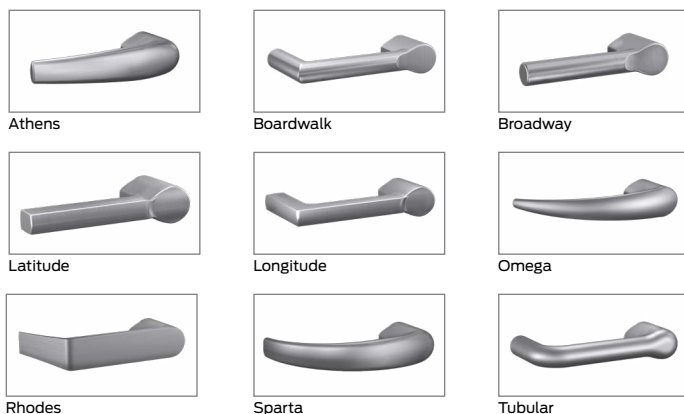
1	Series
NDEB	Schlage Mobile enabled cylindrical (with configurable functions)
NDE80	Cylindrical (storeroom)
Prior to ordering NDEB mobile enabled wireless locks please confirm integration status of lock with preferred PACS provider. Integration is required for lock operation within a PACS solution. For information on PACS providers and their capabilities visit <a href="http://us.allegion.com/alliances">us.allegion.com/alliances</a> .	
2	Lever cylinder type
PD	Schlage 6-pin Conventional cylinder
See price book for other SFIC, FSIC and Less Cylinder options available. Compatible with Schlage, Sargent, Corbin and Yale.	

3/5	Lever style
ATH	Athens*
BRK	Boardwalk*
BRW	Broadway*
LAT	Latitude
LON	Longitude
OME	Omega
RHO	Rhodes*
SPA	Sparta*
TLR	Tubular*
* Available with tactile surface	
4/6	Finish
626	Satin chrome
605	Bright brass
606	Satin brass
612	Satin bronze
619	Satin nickel
622	Matte black
625	Bright chrome
643e	Aged bronze
626AM	Satin chrome antimicrobial

7	Backset and latch
13-247	<b>2 3/4" backset, deadlatch, square corner, 1 1/8" x 2 1/4"</b>
See price book for additional backset and latch options	
8	Strike
47267101	<b>1 1/4" x 4 7/8" with 1 3/16" lip (NDEB)</b>
10-130	<b>1 1/4" x 4 7/8" with 1 3/16" lip and magnets for door position sensing (NDE80)</b>
See price book for other available strikes	
9	Dim (strike lip length)
138	<b>1 3/8" non-standard lip length</b>
Enter only for non-standard strike lip lengths. See price book for other available non-standard lengths	
10	Additional details
S123	<b>Everest 29</b>
See price book for other available keyway options including restricted keyways in Primus XP high security cylinders and master keying	

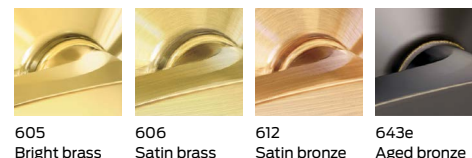
## Lever styles

The NDE shares the same levers as ND. All NDE locks feature mechanical key override; standard, SFIC or FSIC options available.

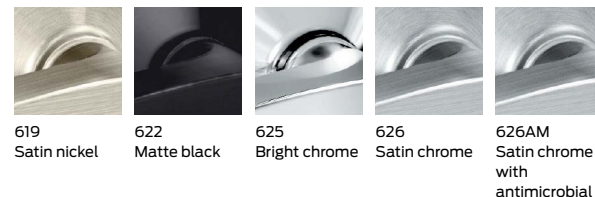


## Finishes

Warm tone finishes



Cool tone finishes



Allegion, the Allegion logo, ENGAGE technology, the ENGAGE technology logo, Schlage, and the Schlage logo are trademarks of Allegion plc, its subsidiaries and/or affiliates in the United States and other countries. All other trademarks are the property of their respective owners.

## About Allegion

Allegion (NYSE: ALLE) is a global pioneer in safety and security, with leading brands like CISA®, Interflex®, LCN®, Schlage®, SimonsVoss® and Von Duprin®. Focusing on security around the door and adjacent areas, Allegion produces a range of solutions for homes, businesses, schools and other institutions. Allegion is a \$2 billion company, with products sold in almost 130 countries. For more, visit [www.allegion.com](http://www.allegion.com).

KRYPTONITE ■ LCN ■ **SCHLAGE** ■ STEELCRAFT ■ VON DUPRIN



© 2020 Allegion  
010409, Rev. 09/20  
[www.allegion.com/us](http://www.allegion.com/us)



LE

Wireless mortise lock  
LEB – mobile enabled  
LE – standard



## Overview

The Schlage® LE wireless mortise lock is designed to affordably extend electronic access control deeper into the building beyond traditional perimeter and high security openings. And now Schlage offers the LE wireless lock with a mobile enabled option that gives users the security and convenience of using a smart device to gain access<sup>1</sup>.

LE wireless locks simplify installation by combining the lock, credential reader, door position sensor, and request-to-exit switch all in one unit. Installation requires only minor modifications to existing mechanical mortise prep with no wires to run to the lock or additional components necessary.

LE wireless locks can be set up and configured wirelessly with a connected smartphone or tablet - no proprietary device needed. With the ENGAGE™ cloud-based web and mobile apps, it's easy to configure lock settings, add users, and view audits and alerts from virtually anywhere. And using the built-in Wi-Fi® allows for automated daily updates to lock configuration and user access rights.

The open architecture design allows for advanced capabilities including networked real-time communication. Using the ENGAGE Gateway and an integrated solution from one of our physical access control software (PACS) providers,<sup>2</sup> Schlage offers organizations the freedom to use the solution of their choice.

The LE is ideal for office and suite entries, conference rooms, common area doors, resident units, and sensitive storage areas with mortise door prep. LE suites with most Schlage L Series decorative levers, keyways, and finishes, providing attractive options to meet the requirements of nearly any environment.

<sup>1</sup> Use of mobile credential on the LEB mobile enabled lock is dependent on availability of compatible mobile credential

<sup>2</sup> Integration with LEB mobile enabled wireless locks required for operation. For information on PACS providers and their capabilities visit [us.allegion.com/alliances](http://us.allegion.com/alliances).

<sup>3</sup> Door position switch requires additional prep for mortise deadbolt (MD) applications

## Features and benefits

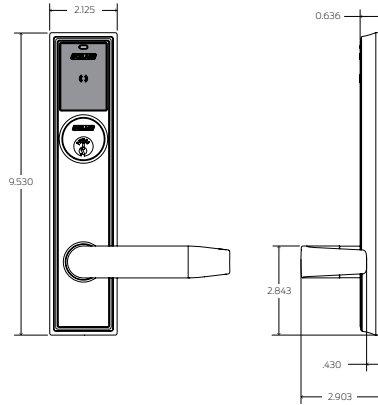
- Ready for the future with the ability to read Bluetooth (LEB) and NFC (LE, LEB) mobile credentials
- Available with indicator, interior push button, or deadbolt for storeroom, privacy, apartment, and office applications
- Wireless configuration from connected smart phones and tablets
- Built-in Wi-Fi® enables automated daily updates sent directly from host software
- Networked real-time communication available with the ENGAGE Gateway and PACS provider solutions
- Designed to be easy to install, connect, manage, and use
- Innovative integrated door position switch requires no additional door prep<sup>3</sup>
- Weather-resistant design for use on perimeter doors
- Suites with mechanical L Series with 31 levers and two knobs
- Up to 2 years of battery life

### CYBERSECURITY

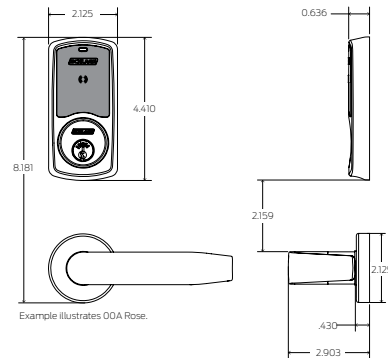
Learn about Allegion's commitment

## Exterior of the lock

### Addison

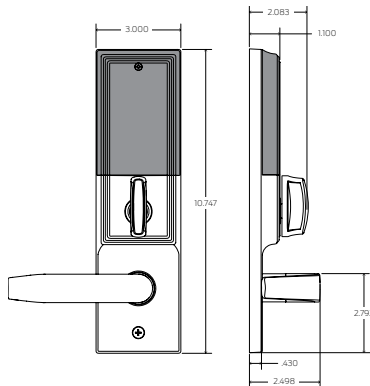


### Greenwich

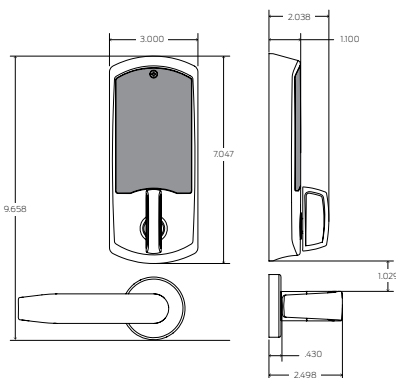


## Interior of the lock

### Addison



### Greenwich



Schlage · LE

## LE wireless lock specifications

Users	Up to 5,000 <sup>1</sup>
Audits	Up to 2,000 <sup>2</sup>
Credential verification time <sup>3</sup>	Smart and proximity: ≤ 1 second Mobile: mobile device dependent
Visual communications	Exterior LED (red, amber, green); Interior LED (red, green)
Audible communications	Audible indicator (field configurable)
Communication standards	<ul style="list-style-type: none"> <li>2.4 GHz Wi-Fi® (IEEE 802.11b/g/n)</li> <li>WPA2, WPA, WEP, 802.1x</li> <li>Bluetooth® low energy (version 4.2)</li> <li>Transport Layer Security (TLS) version 1.2</li> <li>Advanced Encryption Standard (AES), 256-bit</li> </ul>
Gateway communication range	Up to 30' in typical building environments. A detailed site survey is recommended using the ENGAGE Test Kit (TKE). Reference ENGAGE™ Gateway Data Sheet for additional detail.
Wake-Up on Radio	Responds to command from host in less than 5 seconds when linked to ENGAGE Gateway (requires PACS provider system)
Data rate:	54 Mbps via Wi-Fi
Connectivity options	<ul style="list-style-type: none"> <li>Mobile device (send updates at the lock)</li> <li>Wi-Fi access point (automatic daily updates<sup>7</sup>)</li> <li>No-Tour with MT20W enrollment reader and smart credentials</li> <li>ENGAGE Gateway (real-time communication)                             <ul style="list-style-type: none"> <li>RS-485 to ACP or IP to host</li> </ul> </li> </ul>
Battery life <sup>4</sup>	Uses 4 AA batteries Up to 2 years
Operating temperature	Exterior: -31° to 151°F (-35° to 66°C) Interior: 32° to 120°F (0° to 49°C) (battery)
Operating humidity	0 - 100% non-condensing
Certifications	ANSI/BHMA A156.25-2013 (Indoor/Outdoor), ANSI/BHMA A156.13-2012, Series 1000, Grade 1, UL 294, ULC S319, UL10C (3-hour fire rated), FCC Part 15, IC RSS-210, ADA, RoHS, ICC ANSI A117.1, FL3905, FL12400 and FL14482

### Chassis/functions

- MS mortise with indicator:
  - Storeroom
- MB mortise with push button:
  - Privacy
  - Office
  - Apartment
- MD mortise deadbolt:
  - Privacy
  - Apartment

Note: All functions available for LEB and LE Series

### Available status signals

- Request-to-exit
- Door position
- Interior cover tamper<sup>5</sup>
- Battery status
- Lock/unlock status<sup>6</sup>
- Communication status<sup>5</sup>
- Deadbolt position status (MD only)<sup>5</sup>
- Interior pushbutton status (MB only)<sup>5</sup>

### Flexible solutions

LE wireless locks offer connectivity options to fit any size budget or business.

- Mobile
- Wi-Fi
- Real-time with ENGAGE Gateway
- No-Tour with MT20W

## ENGAGE™ cloud-based web and mobile applications



The ENGAGE cloud-based web and mobile applications deliver simple and convenient site set-up with basic access management for users and locks. Please refer to the ENGAGE data sheet for additional detail.



<sup>1</sup> Maximum database storage capacity of lock. Can vary by access control software database capacity.  
<sup>2</sup> Maximum audit storage capacity of lock. Can vary by access control software audit storage capacity.  
<sup>3</sup> Response time does not include latency time of host when linked with an ENGAGE Gateway or when using No-Tour.

<sup>4</sup> Assuming indoor application, default settings, 80 actuations, interior LED disabled and one Wi-Fi update per day.  
<sup>5</sup> Consult your access control software provider for specific scope of support.  
<sup>6</sup> Software indicates lock/unlock status based on sequence of events.  
<sup>7</sup> Daily update will occur within 24 hours as scheduled by the host.

## Mechanical specifications

Chassis	MS mortise with LED indicator; MB mortise with push button and LED; MD mortise with deadbolt and LED
Handing	Handed to order, field reversible
ANSI standard (Meets or exceeds)	ANSI/BHMA A156.25-2013 (Indoor/Outdoor) ANSI/BHMA A156.13-2012, Series 1000, Grade 1 With interchangeable core cylinders: Grade 2 Security
Door thickness	Standard: 1 3/4" (44 mm) Optional: 1 3/4" (44 mm) to 2 1/4" (57 mm) optional (SFIC limited to 2" max)
Backset	Standard: 2 3/4" (70mm)
Latch bolt	Standard: 3/4" (19 mm) throw stainless steel latch bolt with anti-friction tongue
Deadbolt	Standard: 1" (25 mm) throw stainless steel deadbolt
Levers	Forged brass or bronze
Strike	Standard: ANSI 1 1/4" x 4 7/8" (32 mm x 124 mm) x 1 3/16" (30 mm) curved lip strike with dust box Optional: Additional strike lip lengths and ANSI strike box available
Cylinder and keys	Standard: Patented Schlage 6-pin Everest 29 S123 keyway. Additional keying options available: Conventional and interchangeable cores, master keying, and grand master keying. Compatible with competitor cylinders and cams that support the L9000 Series.
Armored front	1 1/4" x 8" x 7/32" (32mm x 203 mm x 6 mm) only

### Compatible cylinders

	Mortise cylinder	Full size interchangeable core - FSIC	Small format interchangeable core - SFIC
With cylinder	P, Z	R	G
Less cylinder	L	J*	B*
Construction core	—	T	H
Disposable core	—	—	BDC

\*Sold with cylinder housing - less core.

Note: Available in formats to support residential customers - 5-pin cylinder with C keyways. Need to specify keyway and pinning needs. Standard if not specified - P, 6-pin Everest 29 with S123 keyway.

## LE to LEB Retrofit Kits

Retrofit kits are available allowing the upgrade of existing LE locks to the LEB model, enabling them to read BLE mobile credentials.

- Kit includes: Complete interior escutcheon with PCBA\*

\* Kit requires reuse of exterior of lock, lock chassis, existing levers/spring cages, battery cover, mounting screws and interior mounting plate.

## Multi-technology reader specifications

Credential technologies	Proximity (125 kHz), Smart (13.56 MHz), Bluetooth Low Energy (BLE) (2.4 GHz), and Near Field Communication (NFC)
Standards	ISO standard 15693 and ISO 14443
Maximum read range	Proximity: up to 1.25" Smart: up to .75" Bluetooth Low Energy: up to 15' NFC: mobile device dependent
Proximity credential compatibility	<b>Compatibility:</b> Schlage™, ISONAS™, HID®, GE/CASI ProxLite®, AWID® and LenelProx® <b>Schlage credential style formats:</b> Clamshell, ISO card, ISO card with magnetic stripe, keyfob, thin keyfob, PVC adhesive disk
Smart credential compatibility <sup>1</sup>	<b>Secure sector compatibility:</b> Schlag MIFARE Classic®, Schlag MIFARE Plus®, Schlag MIFARE® DESFire® EV1 and EV2 with PACSA <b>CSN only compatibility:</b> DESFire, HID iClass®, Inside Contactless Pico Tag®, MIFARE, MIFARE DESFire EV1 and EV2, ST Microelectronics®, Texas Instruments Tag-It®, Phillips I-Code® <b>Schlage credential style formats:</b> Clamshell, ISO card, ISO card with magnetic stripe, keyfob, thin keyfob, wearable wristband, PVC adhesive patch
Mobile credential compatibility	Schlage Mobile Access Credential with Bluetooth <sup>2</sup> , Integrated PACS mobile credential with Bluetooth <sup>3</sup> , NFC-enabled mobile devices <sup>4</sup>

<sup>1</sup> No-Tour applications require a 1K Byte Schlage smart credential

<sup>2</sup> Supported through ENGAGE

<sup>3</sup> Dependent on PACS provider capabilities. Visit [us.allegion.com/alliances](http://us.allegion.com/alliances) for more information

<sup>4</sup> See minimum supported guidelines



# Ordering information

LEB- MS - GRW - P - 07 - 626 - 00A - 17 - 612 - 00A - LH - 10-136- 134 - S123

Series	Chassis/ function	Style	Cylinder type	Outside			Inside (optional)			Handing	Strike lip	Door thickness	Key system	Additional options
				Lever style	Finish	Rose (GRW only)	Lever style	Finish	Rose (GRW only)					
1	2	3	4	5	6	7	8	9	10	11	12	13	14	15

Selections correspond with the numbers above

Standards options are indicated in bold. See price book for specific configuration options.

## 1 Series / 2 Chassis/Function

LEBMS	Mobile enabled mortise with indicator only
LEBMB	Mobile enabled mortise with interior push button
LEBMD	Mobile enabled mortise with deadbolt
LEMS	Mortise with indicator only
LEMB	Mortise with interior push button
LEMD	Mortise with deadbolt

Prior to ordering LEB mobile enabled wireless locks please confirm integration status of lock with preferred PACS provider. Integration is required for lock operation within a PACS solution. For information on PACS providers and their capabilities visit [us.allegion.com/alliances](http://us.allegion.com/alliances).

## 3 Style

GRW	Greenwich (sectional)
ADD	Addison (escutcheon)

## 4 Cylinder type

P	Conventional, 6 pin / keyed 5
---	-------------------------------

See price book for other mortise cylinder, SFIC, FSIC and Less Cylinder options.

## 5/8 Lever style

Available in 31 levers and two knob styles including most M Series decorative lever options. Examples:

03	Suites with Tubular
06	Suites with Rhodes
07	Suites with Athens
17	Suites with Sparta
LAT	Latitude

## 6/9 Finish

626	Satin chrome
605	Bright brass
606	Satin brass
612	Satin bronze
619	Satin nickel
622	Matte black
625	Bright chrome
643e	Aged bronze
626AM	Satin chrome antimicrobial

## 7/10 Rose (GRW style only)

00A	2 1/8" (54 mm) diameter
00B	2 9/16" (65 mm) diameter
00C	2 5/8" (66 mm) diameter with bevel (not available in 612 finish)

MER and AVA decorative rose options are also available, but only with MER and ACC lever styles. Inside rose will default to outside unless specified.

## 11 Handing

<b>RH</b>	<b>Right hand</b>
LH	Left hand
RHR	Right hand reverse
LHR	Left hand reverse

Defaulted to Right Hand, if not specified. The chassis can be changed in the field, with some exceptions. See pricebook for additional details.

## 12 Strike plate/lip length

<b>10-136</b>	<b>1 3/16" lip length (MS and MB)</b>
<b>10-072</b>	<b>1 3/16" lip length (MD)</b>

Additional lip length options 7/8" to 1 3/4". See price book for details.

## 13 Door thickness

<b>134</b>	<b>1 3/4" (44 mm)</b>
------------	-----------------------

Optional: 1 3/4" (44 mm) to 2 1/4" (57 mm). 2" maximum door thickness on SFIC cylinders. See price book for additional details.

## 14 Keying type

<b>S123</b>	<b>Everest 29</b>
-------------	-------------------

See price book for other available keyway options including restricted keyways in Primus XP high security cylinders and master keying.

## 15 Additional options

# Finishes

Warm tone finishes



605 Bright brass



606 Satin brass



612 Satin bronze



643e Aged bronze

Cool tone finishes



619 Satin nickel



622 Matte black



625 Bright chrome



626 Satin chrome



626AM Satin chrome with antimicrobial

Allegion, the Allegion logo, ENGAGE technology, the ENGAGE technology logo, Schlage and the Schlage logo are trademarks of Allegion plc, its subsidiaries and/or affiliates in the United States and other countries. All other trademarks are the property of their respective owners.

## About Allegion

Allegion (NYSE: ALLE) is a global pioneer in safety and security, with leading brands like CISA®, Interflex®, LCN®, Schlage®, SimonsVoss® and Von Duprin®. Focusing on security around the door and adjacent areas, Allegion produces a range of solutions for homes, businesses, schools and other institutions. Allegion is a \$2 billion company, with products sold in almost 130 countries. For more, visit [www.allegion.com](http://www.allegion.com).

KRYPTONITE ■ LCN ■ ■ STEELCRAFT ■ VON DUPRIN



ALLEGION™

© 2020 Allegion  
011389, Rev. 9/20  
[www.allegion.com/us](http://www.allegion.com/us)



# Schlage Control™ smart lock

Mobile enabled wireless  
deadbolt and  
interconnected lock



## Overview

The Schlage Control™ mobile enabled smart lock was designed specifically for multifamily resident doors. It allows properties to offer smart security to residents and intelligent efficiency to property managers.

Residents will appreciate the security and convenience of using a smart device and/or smart credentials to open their doors today. And, through new compatibility with BLE mobile credentials built in, Schlage makes it possible for software providers to enable residents to arrange in-unit package delivery and other services in the future.\*

The open architecture capabilities of Schlage Control mobile enabled smart locks offer properties the freedom to use the physical access control (PACS) provider of their choice to manage security and a wide spectrum of needs. Through these providers, properties are able to extend the possibilities of their locks beyond security.

For a simpler solution, managing access rights couldn't be easier than by using the ENGAGE™ cloud-based mobile or web apps. Staff can configure and manage access from virtually anywhere. And with the capability to view history of access, get usage data, receive alerts and more, ENGAGE improves the intelligence and productivity of the staff and property.

Schlage Control mobile enabled smart locks are part of an extensive portfolio from Allegion™, which offers solutions for every opening within a multifamily property.

\*Dependent on PACS provider integrations and capabilities. Go to [us.allegion.com/alliances](http://us.allegion.com/alliances) for more information.

## Features

- New mobile enabled Schlage Control is ready for the future with the ability to read mobile and smart credentials
- Deadbolt (BE467F) and interconnected lock (FE410F) options
- Two styles with a broad selection of finishes and decorative lever designs
- Eliminates cost and hassle of managing keys
- AES-256 encryption keeps data and communications safe
- Interconnected lock provides single motion egress to comply with regional requirements
- Lock programming via smartphone or tablet (Bluetooth® connection)
- Supports networked (Gateway required), No-Tour and standalone applications

### **CYBERSECURITY**

Learn about Allegion's commitment

# Design and style

Schlage Control™ mobile enabled smart locks have style options to fit the design of any property and offer full suiting with Schlage decorative mechanical locks and other Allegion solutions.

## Finish options



619 Satin nickel    622 Matte black    625 Bright chrome    626 Satin chrome    716 Aged bronze

### BE467F - Addison



### BE467F - Greenwich



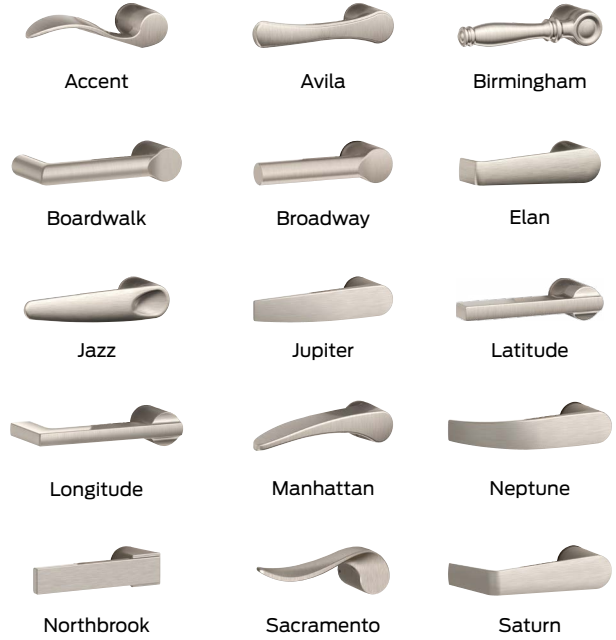
### FE410F - Addison



### FE410F - Greenwich



## FE410F lever options

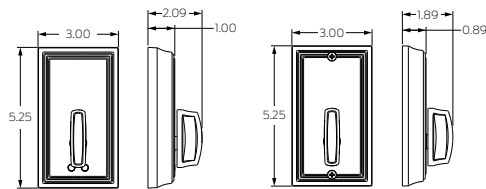


Note: Reference current pricebook to confirm finishes available by lever style.

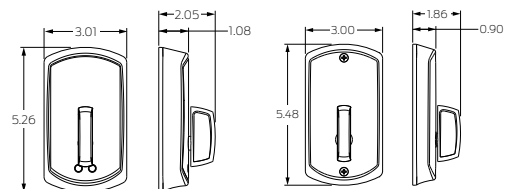
# Dimensional drawings

## BE467F

Addison - exterior / interior

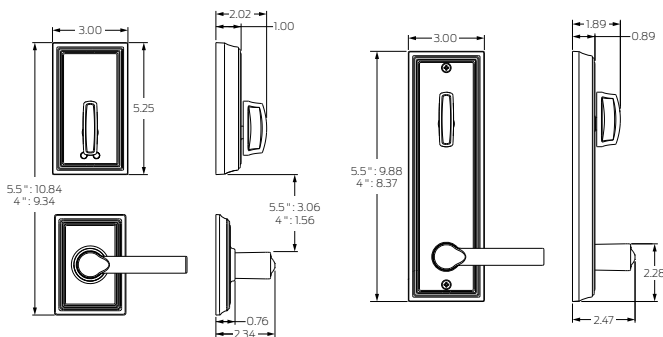


Greenwich - exterior / interior

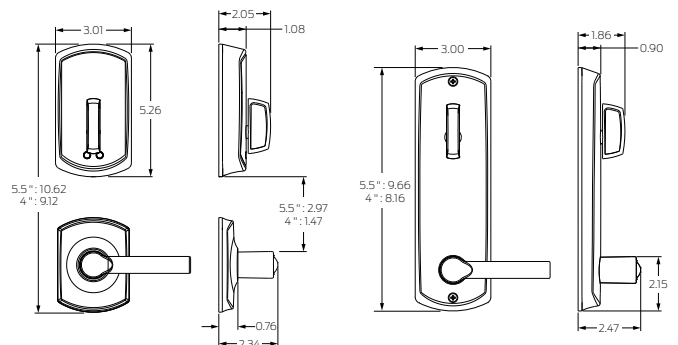


## FE410F

Addison - 5.5" and 4" exterior / interior



Greenwich - 5.5" and 4" exterior / interior



## Choice offers control

By offering the ENGAGE cloud-based web and mobile apps **and** working with the industry's best-in-class access control providers we give properties the freedom to choose.

### ENGAGE™ web and mobile applications



Simple and convenient site set-up and allows management of properties from virtually anywhere.

- Configure lock/device settings
- Add new users and enroll credentials
- Manage users and assign access privileges
- Assign lock/user schedules and holidays
- View and export audits

### PACS provider solutions

Schlage Control mobile enabled smart locks are designed with open architecture capabilities. Because of this, multifamily properties have the flexibility to select the integrated physical access management system (PACS) that best suits their needs and budget.

Visit [us.allegion.com/alliances](http://us.allegion.com/alliances) for more information on our PACS providers and their capabilities.

## Credentials

Residents are able to use a smart credential (fob, card or wristband) and/or a smart device to unlock their Schlage Control™ mobile enabled smart lock – eliminating the need for traditional keys and saving properties time and money.



## Specifications

### Electronic specifications

Users	Up to 500 <sup>1</sup>
Audits	Up to 1,000 <sup>2</sup>
Visual and audible communications	Exterior LED (red, amber, green) Audible indicator (field configurable)
Communication standards	<ul style="list-style-type: none"> <li>▪ Bluetooth low energy (version 4.2)</li> <li>▪ Advanced Encryption Standard (AES), 256-bit</li> </ul>
Gateway communication range (networked solution)	Up to 30' in typical building environments. A detailed site survey is recommended.
Wake-Up on Radio	Responds to command from host in less than 5 seconds when linked to ENGAGE Gateway (requires PACS provider solution)
Connectivity options	<ul style="list-style-type: none"> <li>▪ Mobile (send updates at the lock)</li> <li>▪ No-Tour with MT20W enrollment reader and smart credentials<sup>3</sup></li> <li>▪ ENGAGE Gateway (real-time communication)</li> </ul>
Available status signals	Battery status
Battery life	Up to 1 1/2 years (offline mode), up to 1 year (BLE credential enabled); 4 AA batteries included
Operating temperature	Exterior: -31° to 151°F (-35° to 66°C) Interior: 14° to 122°F (-10° to 50°C)
Operating humidity	0 - 100% non-condensing

### Reader specifications

Credential technologies	Smart (13.56 MHz), Bluetooth Low Energy (BLE) (2.4 GHz)
Standards	ISO 14443
Maximum read range	Smart: up to 1.25" Bluetooth Low Energy: up to 15'
Smart credential compatibility	Schlage MIFARE Classic®, Schlage MIFARE Plus®, Schlage MIFARE® DESFire® EV1 with PACSA
Mobile credential compatibility	Schlage Mobile Access Credential with Bluetooth <sup>4</sup> , Integrated PACS mobile credential with Bluetooth <sup>5</sup>

1. Maximum database storage capacity of lock. Can vary by access control software database capacity.
2. Maximum audit storage capacity of lock. Can vary by access control software audit storage capacity.
3. No-Tour applications requires use of 1K byte Schlage MIFARE smart credentials.
4. Supported through ENGAGE
5. Dependent on PACS provider capabilities. Visit [us.allegion.com/alliances](http://us.allegion.com/alliances) for more information

# Specifications

Mechanical specifications	
Handing	Field reversible (FE410F)
Materials	All-metal chassis and escutcheon
Door thickness	1 3/4" only (thick door kit available - up to 2 1/4" for BE467F, up to 2" for FE410F)
Backset	Adjustable backset, fits 2 3/8" to 2 3/4" backsets
Latch	1" x 2 1/4" square and round corner faceplate (round corner standard, square corner included in package) 1" edge bore required
Deadbolt	Standard 1" (25 mm) throw
Strike	1 1/8" x 2 3/4", round corner, no box, latch strike Optional: Additional strike lip lengths and ANSI strike box available
Bore	2 1/8"
Stile width	Minimum 4 1/2" stile for 2 3/8" backset, minimum 5" stile for 2 3/4" backset

Certifications / Warranty	
Certifications	BE467F: ANSI/BHMA A156.36 Grade 2 FE410F: ANSI/BHMA A156.12 Grade 2 ANSI/BHMA A156.5, UL 90 minute, Canada UL 20 minute wood door rated, FCC Part 15 - Class B, FBC; ADA compliant
Warranty	Lifetime limited mechanical and finish 1-year limited electronics

# Ordering information

FE410F - GRW-LAT-626 -55

Series	Style	Outside		Inside		Interconnect type	Latch	Strike
		Lever style	Finish	Lever style	Finish			
1	2	3	4	5	6	7	8	9
		FE410F only		FE410F only		FE410F only		

Selections correspond with the numbers above  
See price book for specific configuration options.

<b>1</b>	<b>Series</b>	<b>4/6</b>	<b>Finish<sup>1</sup></b>	<b>9</b>	<b>Strike for BE467F</b>
BE467F	Schlage Control mobile enabled smart deadbolt	619	Satin nickel	10-116	Round corner strike, 1 1/8" x 2 3/4" - Standard
FE410F	Schlage Control mobile enabled smart interconnected lock	622	Matte black	10-094	Square corner strike, 1 1/8" x 2 3/4"
<b>2</b>	<b>Escutcheon style</b>	625	Bright chrome	10-095	Square corner full lip strike, 1 5/8" x 2 1/4" (Lip length: 1 1/8")
ADD	Addison	626	Satin chrome	10-092	Round corner full lip strike, 1 5/8" x 2 1/4" (Lip length: 1 1/8")
GRW	Greenwich	716	Aged bronze	<b>9</b>	<b>Strike combinations for FE410F</b>
<b>3/5</b>	<b>Lever style<sup>1,2</sup> (for FE410F only)</b>	<b>7</b>	<b>Interconnect type (for FE410F only)</b>	10-121	Combo strike, square corner (10-094 and 10-026) - Standard
ACC	Accent LAT Latitude	4"	For doors with 4" bore hole spacing (40)	10-109	10-094 and 10-001
VLA	Avila LON Longitude	5 1/2"	For doors with 5 1/2" bore hole spacing (55)	10-119	10-081 and 10-001
BIR	Birmingham MNH Manhattan	<b>8</b>	<b>Latch</b>	10-122	10-116 and 10-027
BRW	Broadway NEP Neptune	12-398	Standard for BE467F - 90 min UL Deadbolt latch dual option (sq+rd)	10-123	10-092 and 10-027
BRK	Boardwalk NBK Northbrook	12-356	Standard for FE410F - Combo latch, dual option (sq+rd), non-UL bolt, UL latch	10-124	10-095 and 10-027
ELA	Elan SAC Sacramento				
JAZ	Jazz SAT Saturn				
JUP	Jupiter				

1. Only specify one finish if outside and inside are the same.
2. Some levers not available in all finishes - see price book for details.

Allegion, the Allegion logo, ENGAGE technology, the ENGAGE technology logo, Schlage and the Schlage logo are trademarks of Allegion plc, its subsidiaries and/or affiliates in the United States and other countries. All other trademarks are the property of their respective owners.

## About Allegion

Allegion (NYSE: ALLE) is a global pioneer in safety and security, with leading brands like CISA®, Interflex®, LCN®, Schlage®, SimonsVoss® and Von Duprin®. Focusing on security around the door and adjacent areas, Allegion produces a range of solutions for homes, businesses, schools and other institutions. Allegion is a \$2 billion company, with products sold in almost 130 countries. For more, visit [www.allegion.com](http://www.allegion.com).

KRYPTONITE ■ LCN ■  ■ STEELCRAFT ■ VON DUPRIN



© 2020 Allegion  
013252 Rev. 9/20  
[www.allegion.com/us](http://www.allegion.com/us)





# Mobile Enabled Retrofit Kits

For legacy Schlage Control™, NDE and LE wireless locks



## Overview

Retrofit Kits are available to upgrade legacy Schlage Control™, NDE and LE wireless locks to the mobile enabled model, enabling them to read Bluetooth mobile credentials<sup>1</sup>. This economic solution allows customers to upgrade current locks on their site, giving employees and residents the convenience of using their mobile phones to gain access.

### NDE to NDEB Retrofit Kits

Also supports additional functionality with a new interior push button with indication.

- Kit includes interior escutcheon with PCBA, DPS with lead (new DPS requires modified door prep)
- Kit does not include and requires reuse of exterior of lock, lock chassis, existing levers/spring cages, battery cover, mounting screws, interior mounting plate

Part number, specify finish:  
47278749

### LE to LEB Retrofit Kits

- Kit includes interior escutcheon with PCBA
- Kit does not include and requires reuse of exterior of lock, lock chassis, existing levers/spring cages, battery cover, mounting screws, interior mounting plate

Part numbers, specify finish:

#### Greenwich

MS - 47270614

MB - 47270613

MD - 47270612

#### Addison

MS - 47270618

MB - 47270617

MD - 47270616

<sup>1</sup> Use with the Schlage Mobile Access Credential or compatible PACS mobile credential solution. Consult your Allegion sales representative for more information.

## Schlage Control Retrofit Kits

- Kit includes exterior escutcheon with PCBA, thru door cable
- Kit does not include and requires reuse of interior of lock, lock chassis and levers (FE410F only), deadbolt, and deadlatch (FE410F only), battery holder, mounting screws

Part numbers, specify finish:

### Greenwich

47278386 (BE467F/FE410F 619)

47278387 (BE467F/FE410F 622)

47278388 (BE467F/FE410F 625)

47278389 (BE467F/FE410F 626)

47278390 (BE467F/FE410F 716)

### Addison

47278391 (BE467F/FE410F 619)

47278392 (BE467F/FE410F 622)

47278393 (BE467F/FE410F 625)

47278394 (BE467F/FE410F 626)

47278395 (BE467F/FE410F 716)

## About Allegion

Allegion (NYSE: ALLE) is a global pioneer in seamless access, with leading brands like CISA®, Interflex®, LCN®, Schlage®, SimonsVoss® and Von Duprin®. Focusing on security around the door and adjacent areas, Allegion secures people and assets with a range of solutions for homes, businesses, schools and institutions. Allegion had \$2.9 billion in revenue in 2019 and sells products in almost 130 countries. For more, visit [www.allegion.com](http://www.allegion.com)

KRYPTONITE ■ LCN ■  ■ STEELCRAFT ■ VON DUPRIN



© 2020 Allegion  
013616, Rev. 09/20  
[www.allegion.com/us](http://www.allegion.com/us)



# CTE

ENGAGE™ single door controller with mobile enabled multi-technology reader



## Overview

The CTE is an ENGAGE™ enabled single opening controller that allows perimeter and common area openings to be managed in a single system along with Schlage Control™ Mobile Enabled Smart Locks, NDE cylindrical and LE mortise wireless locks. It is ideal for multifamily, commercial mixed use and retail store front applications.

The CTE is designed to work with a Schlage® mobile enabled multi-technology credential reader and interface with an electrified lock, electromagnetic lock, electric strike, automatic operator, or exit device to control an opening.

The CTE single door controller is designed for flexibility and can be managed with ENGAGE™ web and mobile apps or with one of our Physical Access Control Software (PACS) provider systems.

## Features and benefits

- Enables around the door solution with ENGAGE functionality
- Built-in Bluetooth and Wi-Fi
- Complete with Schlage MTB11 or MTB15 reader (Required reader interface RS-485)
- No-Tour capable
- Flexible connectivity options: manage with ENGAGE web and mobile apps or with one of our PACS providers
- Inputs: door position (DPS), request to exit (REX), request to enter (REN), remote release (REL)
- Outputs: lock relay, alarm relay, auxiliary (Aux) relay
- Input Power: 12 or 24 VDC or Power over Ethernet (PoE/PoE+)
- Provides DC output power and dry control contacts

## CYBERSECURITY

Learn about Allegion's commitment

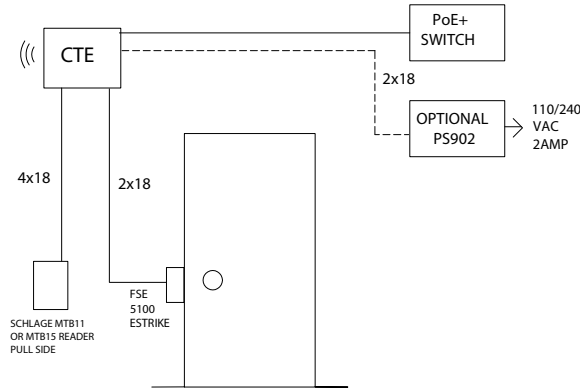
## CTE single door controller specifications

Users	Up to 5,000
Audits	Up to 2,000
Schedules	Up to 16
Holidays	Up to 32
Time zones	Up to 16
Communication Standards	Bluetooth low energy (version 4.2) 2.4 GHz Wi-Fi® (IEEE 802.11b/g/n) WPA2, WPA, WEP, 802.1x (PEAP) Transport Layer Security (TLS) version 1.2 Advanced Encryption Standard (AES), 256-bit
Gateway communication range	Up to 30' in typical building environments. A detailed site survey is recommended. Reference ENGAGE™ Gateway Data Sheet for additional details.
Connectivity options	Mobile (send updates at door) Wi-Fi access point (automatic daily updates) ENGAGE Gateway, IP to host (Networked wireless reader interface) No-Tour, requires MT20W enrollment reader and smart credentials
Power Inputs	12 or 24 VDC at 3 Amps input for powered outputs to get Max 2 Amp output on relays, 0.5 Amp minimum input when using dry contacts. PoE/PoE+ (IEEE 802.3af/at)
Powered Outputs: Locking mechanism, Alarm, Aux	12 VDC Input: 2A @ 12 VDC Max (combined output across powered outputs) 24 VDC Input: 2A @ 24 VDC Max (combined output across powered outputs) PoE Input: 0.5A @ 12 VDC Max (combined output across powered outputs) PoE+ Input: 1.5A @ 12 VDC Max (combined output across powered outputs)
Dry Outputs: Locking mechanism, Alarm, Aux	Locking mechanism: 2A @ 30VDC Max
Reader Interface	0.3A @ 12 VDC Max (up to 500 ft.) 12 or 24 VDC Input: 12V @ 0.3A Max Output POE or POE+ Input: 12V @ 0.3A Max Output Aux: 2A @ 30VDC Max Alarm: 2A @ 30VDC Max Reader (Schlage MTBXX) (Required to utilize -485 interface) Schlage MTB11 or MTB15 Reader
Signal Inputs	Request-to-enter (REN) Request-to-exit (REX) Remote Release (REL) -- wired Door position switch (DPS) Tamper (TAMP)
Operating temperature (indoor)	-31°F (-35°C) to 151°F (66°C)
Operating humidity	0 - 100% non-condensing
Certifications	UL 294 Indoor, FCC Part 15, NEMA Enclosure Indoor (Type 1, 4, and 4X), ULC S319 Indoor, RoHS
Dimensions	2.96" x 5.89" x 7.86"

# The CTE single door controller with mobile enabled multi-technology reader reader kit can be used in a variety of applications. Below are a few examples:

Please note all components sold separately.

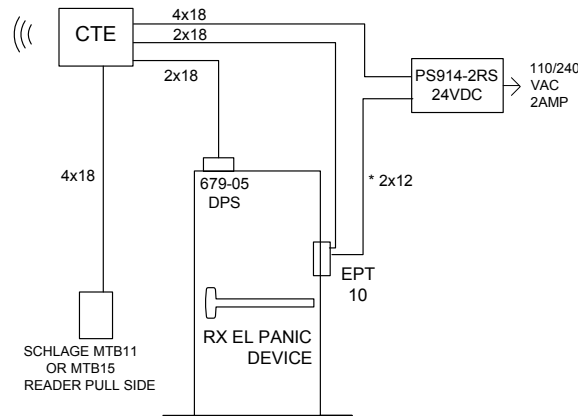
ENGAGE™ cloud via mobile device or Wi-Fi, or PACS provider via Wi-Fi or GWE with IP to host



**Operation:** Presenting a valid credential to Schlage MTBXX reader will cause fail secure 5100 electric strike to release for authorized entrance. Free egress always.

**Products:** We offer a variety of electric strikes from Locknetics® and Von Duprin®, as well as Schlage Power Supplies to meet the specific needs of the opening.

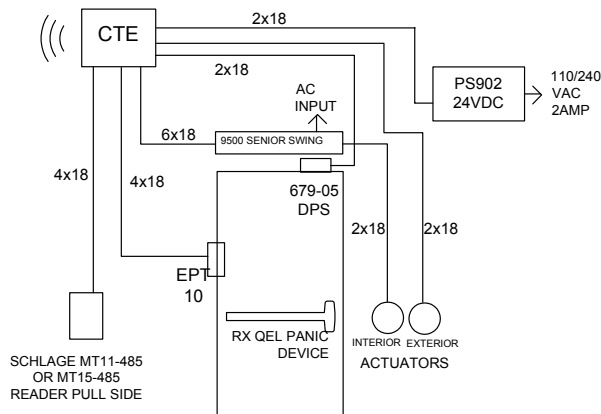
ENGAGE™ cloud via mobile device or Wi-Fi, or PACS provider via Wi-Fi or GWE with IP to host



**Operation:** Presenting a valid credential to Schlage MTBXX reader will cause EL panic device to retract for authorized entrance. Free non-alarmed egress at all times.

**Products:** We offer a variety of Falcon® and Von Duprin exit devices, and Von Duprin power supplies to meet the specific needs of the opening.

ENGAGE™ cloud via mobile device or Wi-Fi, or PACS provider via Wi-Fi or GWE with IP to host



**Operation:** Presenting a valid credential to Schlage MTBXX will cause QEL panic device to retract for authorized entrance and enable exterior actuator. Free non-alarmed egress at all times. Interior actuator always active to retract QEL panic and open door.

**Products:** We offer a variety of hardware and accessories from Von Duprin, LCN®, Schlage and Locknetics to meet the specific needs of the opening.



## Reader requirement



MTB11

MTB15

The CTE single door controller kit is available with two reader options:

- **CTE-MTB11:** CTE with mobile enabled multi-technology mullion reader kit mullion reader kit
- **CTE-MTB15:** CTE with mobile enabled multi-technology single gang reader kit single gang reader kit

**Notes:**

- Reader color (black or cream) can be specified; black is the default
- Custom reader configuration can be specified
- Required to utilize RS-485 interface

## Credential compatibility

### Mobile enabled multi-technology reader specification

Proximity credential compatibility	<p><b>Compatibility:</b> Schlage®, HID®, GE/CASI ProxLite®, AWID® and LenelProx®</p> <p><b>Schlage credential style formats:</b> Clamshell, ISO card, ISO card with magnetic stripe, keyfob, thin keyfob and PVC adhesive disk</p>
Smart credential compatibility <sup>1</sup>	<p><b>Secure sector compatibility:</b> Schlage MIFARE Classic®, Schlage MIFARE Plus®, Schlage MIFARE DESFire EV1 and EV2 with PACSA</p> <p><b>CSN only compatibility<sup>2</sup>:</b> DESFire, HID iClass®, Inside Contactless Pico Tag®, MIFARE, Schlage MIFARE DESFire EV1 and EV2, ST Microelectronics®, Texas Instruments Tag-It®, Phillips I-Code®</p> <p><b>Schlage credential style formats:</b> Clamshell, ISO card, ISO card with magnetic stripe, keyfob, thin keyfob, wearable wristband, PVC adhesive patch</p>
Mobile credential compatibility	<p><b>Compatibility:</b> Schlage Mobile Credential with Bluetooth<sup>3</sup>, Integrated PACS Mobile Credential with Bluetooth<sup>4</sup>, NFC-enabled mobile devices<sup>4</sup></p>

<sup>1</sup> No-Tour applications require 13.56 MHz smart credentials from Schlage. Minimum memory size of 8k bit/1K byte required.

<sup>2</sup> Configuration card required to enable CSN.

<sup>3</sup> Supported through ENGAGE

<sup>4</sup> Dependent on PACS provider integrations and capabilities. Go to [us.allegion.com/alliances](http://us.allegion.com/alliances) for more information.

The CTE can operate in the same system as Schlage Control™ Mobile Enabled Smart Locks, NDE and LE wireless locks.

Manage with ENGAGE™ cloud based web and mobile apps or with one of our PACS providers.

To learn more visit [allegionengage.com](http://allegionengage.com).

Allegion takes a broad and deep approach to ensuring the safety and security of its products. The cybersecurity program at Allegion is designed around four pillars: security and privacy by design, built on proven security practices, security updates & vulnerability management, and testing by internal and external experts.

## ENGAGE™ cloud-based web and mobile applications



The ENGAGE cloud-based web and mobile applications deliver simple and convenient site set-up with basic access management for users and locks. Please refer to the ENGAGE data sheet for additional detail.



Allegion, the Allegion logo, ENGAGE, Falcon, LCN, Schlage, the Schlage logo and Von Duprin are trademarks of Allegion plc, its subsidiaries and/or affiliates in the United States and other countries. All other trademarks are the property of their respective owners.

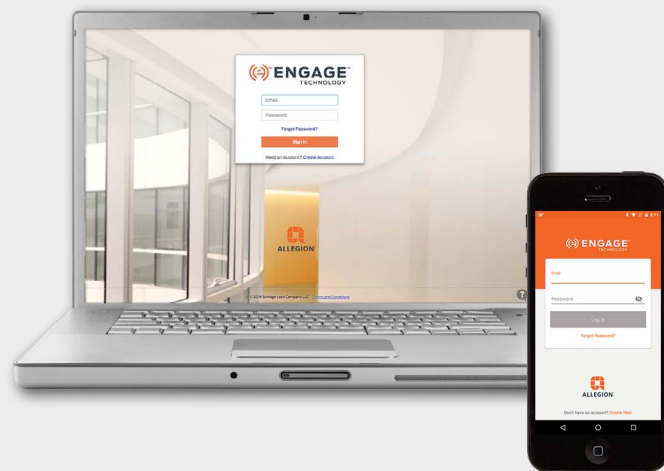
## About Allegion

Allegion (NYSE: ALLE) is a global pioneer in safety and security, with leading brands like CISA®, Interflex®, LCN®, Schlage®, SimonsVoss® and Von Duprin®. Focusing on security around the door and adjacent areas, Allegion produces a range of solutions for homes, businesses, schools and other institutions. Allegion is a \$2 billion company, with products sold in almost 130 countries. For more, visit [www.allegion.com](http://www.allegion.com).



# ENGAGE™

Cloud-based web and mobile applications



## Overview

ENGAGE™ cloud-based web and mobile applications simplify the ability to connect people, openings and access management to deliver cost effective intelligence and efficiency to any facility.

With the ENGAGE cloud-based web and mobile apps, it's easy to configure settings, manage users, assign access privileges, and view audits and alerts from anywhere. Updates to configuration and access privileges can be sent at the device with the ENGAGE mobile app. Or, to send updates without visiting the lock, leverage the existing Wi-Fi network (Schlage NDE, LE and CTE) or built-in No-Tour capability (Schlage NDE, LE, Schlage Control™ and CTE).

The ENGAGE web and mobile apps now have the capability to issue and manage the Schlage Mobile Access Credential - giving users the security and convenience of using their mobile device to gain access to ENGAGE managed openings. Other capabilities of ENGAGE include audit filtering, lock schedules, user schedules, and holidays. Please see page four for a complete listing of capabilities.

<sup>1</sup> Applies to NDE, LE and CTE with built-in Wi-Fi

## System capabilities

- Convenient - manage from anywhere
- Configure lock and device settings
- Add new users and enroll credentials
- Assign credential type including master, normal, toggle, freeze, pass through, blocked, and lockdown
- Manage users and assign access privileges

In addition, the web and mobile apps have these unique capabilities:

- **ENGAGE™ web app**
  - Create and assign lock/device schedules, user schedules and holidays
  - View and export audits
  - Schedule lock/device firmware updates<sup>1</sup>
- **ENGAGE™ mobile app**
  - Add new locks or devices
  - Assign lock/device schedules, user schedules and holidays
  - View audits
  - Send updates wirelessly at the lock or device

## CYBERSECURITY

Learn about Allegion's commitment

# ENGAGE™ cloud-based web and mobile applications

The ENGAGE™ cloud-based web and mobile applications deliver simple and convenient site set-up as well as the ability to manage users, assign access privileges and view audits and alerts from anywhere.

## Technology recommendations



### Apple iOS

- iOS 11.1.2 or newer (mandatory)
- iOS 12 or newer (recommended)
- iPhone 5s or newer
- iPad Air or iPad Air 2
- iPad Pro - 1st generation or newer
- iPad Mini 2 or newer

### Android

- Marshmallow 6.0 (minimum SDK 23) or newer
- For optimum performance a flagship device from a major manufacturer is recommended
  - Google Pixel or newer
  - LG G6 or newer
  - Moto Droid or newer
  - Samsung S6 or newer



### Web Browsers

- Google Chrome 48 or newer
- Microsoft Edge 12 or newer
- Microsoft Internet Explorer 11
- Mozilla Firefox 49 or newer
- Safari 10 or newer



## Electronic credentials

Eliminate the time and costs associated with managing keys or re-keying locks by upgrading to electronic credentials. Provide a unique credential to authorized users that can be:

- Tracked for usage
- Added and revoked remotely
- Assigned to be valid during specific days and times
- Deleted and replaced if lost or stolen – without having to re-key the lock



### Mobile credentials (BLE 2.4 GHz):

- Schlage® Mobile Access Credential

### Smart credentials (13.56 MHz):

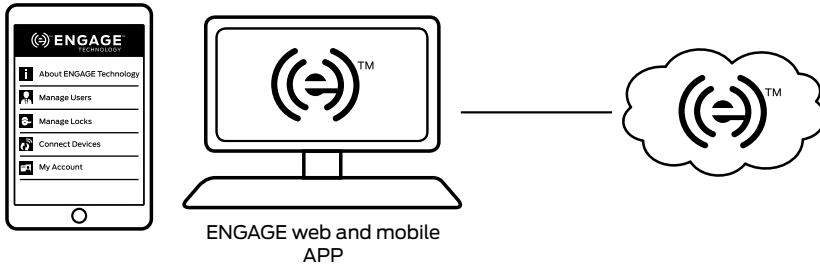
- Schlage MIFARE Classic®
- Schlage MIFARE Plus®
- Schlage MIFARE® DESFire® EV1 and EV2

### Smart credentials (13.56 MHz) - card serial number only:

- HID iClass and iClass SE
- MIFARE Classic®
- MIFARE Plus®
- MIFARE® DESFire® EV1 and EV2

### Proximity credentials (125 kHz):

- Schlage®
- AWID®
- GE/CAS|®
- HID®



## Manage access

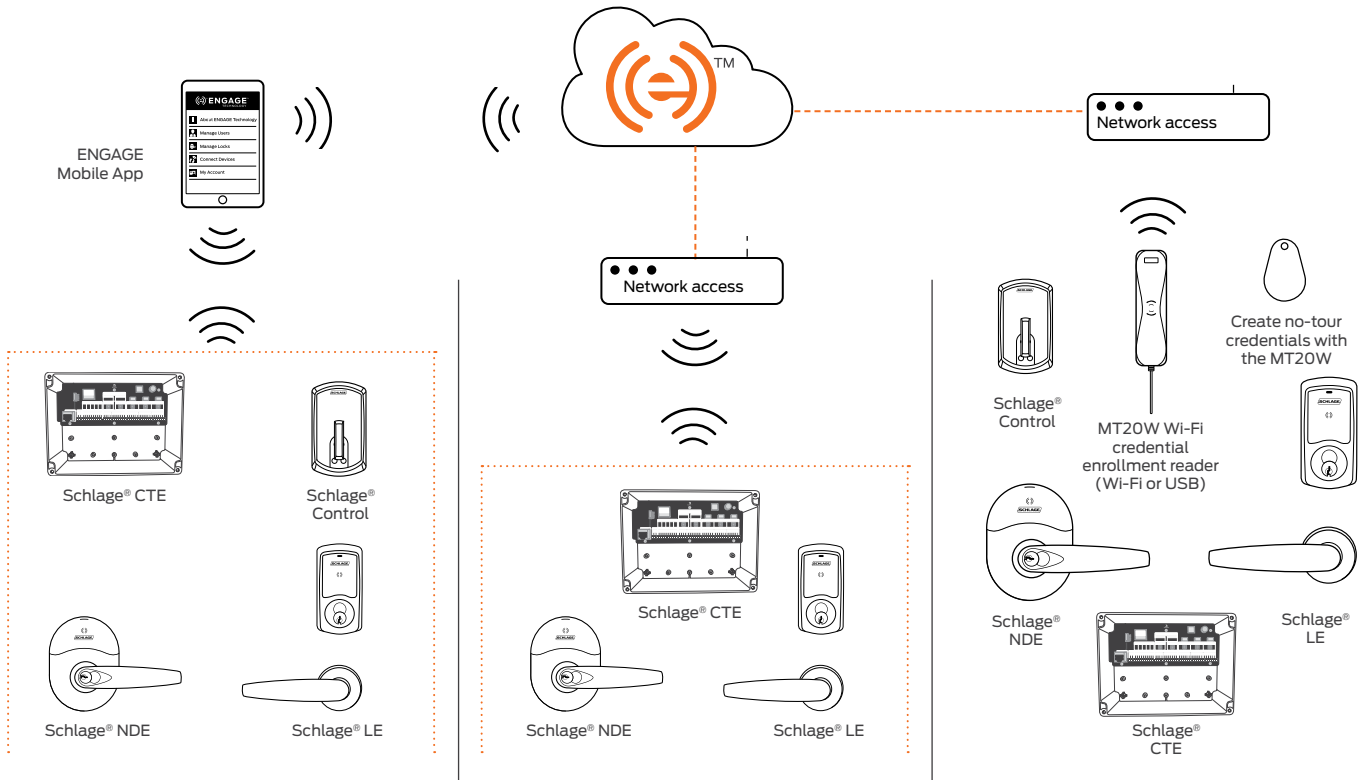
Manage your site from anywhere with ENGAGE cloud-based web and mobile applications.

- Configure lock/device settings
- Add new users and enroll credentials
- Manage users and assign access privileges
- Set lock/device schedules, holidays, user schedules
- View and export audits and alerts
- Invite others to assist with administration

## Update locks and devices

Send updates wirelessly at the lock with the ENGAGE mobile application on a Bluetooth® enabled smart phone or tablet. Or leverage the existing Wi-Fi network or built-in No-tour capability to send updates without visiting the lock or device.

- Update access rights
- Update lock/device settings
- Update firmware
- Perform diagnostics



### Immediate Updates

Send updates at the lock/device, anytime, with the ENGAGE mobile app. Available on Schlage Control smart locks, NDE and LE wireless locks, and CTE.

### Automatic Daily Updates

Connect devices to the Wi-Fi network for automatic daily updates. Available on Schlage NDE and LE wireless locks, and CTE.

### No-Tour via Smart Credentials

Eliminate the need to visit the locks/devices by using smart credentials to deliver updates to access rights. Available on Schlage Control smart locks, NDE and LE wireless locks, and CTE.

## System capabilities:

	Wireless offline security solution with ENGAGE technology			
	Schlage NDE cylindrical	Schlage LE mortise	Schlage Control smart deadbolt / interconnected	CTE single door controller with MTB reader
<b>System Features</b>				
Maximum number of locks/devices		NDE, LE and CTE = Up to 100 Control = Up to 500		
Maximum number of users		Up to 5,000 <sup>1</sup>		
Maximum number of audits		Up to 100,000 <sup>2</sup>		
Maximum number of lock/device schedules		Up to 16 <sup>3</sup>		
Maximum number of holidays		Up to 32 <sup>3</sup>		
Maximum number of user schedules		Up to 16		
<b>Update capability</b>				
Bluetooth <sup>®4</sup>	Yes	Yes	Yes	Yes
Wi-Fi <sup>5</sup>	Yes	Yes	No	Yes
No-Tour <sup>6</sup>	Yes	Yes	Yes	Yes
<b>Lock functions</b>				
Storeroom	Yes	Yes	n/a	n/a
Office	Yes <sup>9</sup>	Yes	n/a	n/a
Privacy	Yes <sup>9</sup>	Yes	n/a	n/a
Apartment	Yes <sup>9</sup>	Yes	Yes	n/a
<b>Status monitors</b>				
Interior cover tamper	Yes	Yes	Yes	Yes <sup>8</sup>
Request to exit	Yes	Yes	n/a	Yes
Deadbolt position status	n/a	Yes	No	n/a
Interior pushbutton status	n/a	Yes	n/a	n/a
Forced door	Yes	Yes	n/a	Yes
Propped door	Yes	Yes	n/a	Yes
Magnetic tamper	Yes	Yes	n/a	n/a
Battery status (normal, low, critical)	Yes	Yes	Yes	n/a
Battery voltage level	Yes	Yes	Yes	n/a
<b>Credentials</b>				
2.4 GHz Bluetooth Mobile (Schlage) <sup>7</sup>	Yes <sup>9</sup>	Yes <sup>9</sup>	Yes <sup>9</sup>	Yes <sup>9</sup>
13.56 MHz Smart <sup>7</sup>	Yes	Yes	Yes	Yes
125 kHz Prox	Yes	Yes	No	Yes
<b>Credential attributes</b>				
Normal credential	Yes	Yes	Yes	Yes
Toggle credential	Yes	Yes	n/a	Yes
Pass through credential	Yes	Yes	Yes	Yes
Visitor/one-time use credential	Yes	Yes	n/a	Yes
Freeze credential	Yes	Yes	Yes	Yes
Block credential	Yes	Yes	Yes	Yes

<sup>1</sup> Maximum number of users for a site. NDE and LE wireless locks and CTE are capable of storing up to 5,000 users. Control is capable of storing up to 500 users.

<sup>2</sup> Audit capacity per lock for a site. NDE and LE wireless locks and CTE are capable of storing up to 2,000 audits. Control is capable of storing up to 1,000 audits.

<sup>3</sup> Applies to NDE and LE wireless locks and CTE only.

<sup>4</sup> Requires ENGAGE mobile application

<sup>5</sup> Requires available Wi-Fi network with internet connection. Update will occur within 24 hours as scheduled by ENGAGE host software

<sup>6</sup> Requires MT20W credential enrollment reader

<sup>7</sup> No-Tour functionality requires minimum 1K byte/8k bit Allegion smart credential and MT20W enrollment reader; Bluetooth mobile credential does not support No-Tour at launch

<sup>8</sup> Ability to monitor tamper on reader cover

<sup>9</sup> Requires use of mobile enabled models of locks and devices

Allegion, the Allegion logo, ENGAGE, the ENGAGE logo, Schlage and the Schlage logo and are trademarks of Allegion plc, its subsidiaries and/or affiliates in the United States and other countries. All other trademarks are the property of their respective owners.

## About Allegion

Allegion (NYSE: ALLE) is a global pioneer in safety and security, with leading brands like CISA<sup>®</sup>, Interflex<sup>®</sup>, LCN<sup>®</sup>, Schlage<sup>®</sup>, SimonsVoss<sup>®</sup> and Von Duprin<sup>®</sup>. Focusing on security around the door and adjacent areas, Allegion produces a range of solutions for homes, businesses, schools and other institutions. Allegion is a \$2 billion company, with products sold in almost 130 countries. For more, visit [www.allegion.com](http://www.allegion.com).







## MT20W

Credential enrollment  
reader with ENGAGE™  
technology

### Overview

The Schlage® MT20W multi-technology enrollment reader is designed to simplify the enrollment of smart and multi-technology credentials in “No-Tour” multifamily applications. Site administrators use the MT20W to program encrypted credentials, such as a keyfob, over Wi-Fi or USB connection to PC. When presented at a lock by the resident or user, the pre-programmed credentials automatically update the lock database. This eliminates the need for the property staff to have to visit each lock to deliver updates.

The MT20W is compatible with Schlage smart credentials (MIFARE Classic®, MIFARE Plus® and MIFARE® DESFire® EV1 and EV2) and supports no-tour access control when used with supported locks.



### Features and benefits

- Use your computer and the ENGAGE web app to easily enroll credentials
- Recognizes Schlage smart and multi-technology credentials (MIFARE Classic, MIFARE Plus and MIFARE DESFire EV1 and EV2)
- Simplifies credential enrollment
- Communicates to server either through a Wi-Fi connection or your computers USB port
- Limited Lifetime Warranty

### CYBERSECURITY

Learn about Allegion's commitment



Model	MT20W
Reader type	USB Enrollment Reader
Connection requirements	WiFi requires 2.4 GHz router that supports data connection speeds of 24 Mbps. USB data share via a desktop app is available as well.
Bit formats recognized	26A, 32X, 34N, 34S, 35C, 37X, 37H, 40X
Technologies supported	Schlage MIFARE Classic Secure Sector Schlage MIFARE Classic Secure Sector, Schlage MIFARE Plus Secure Sector Schlage MIFARE® DESFire® EV1 and EV2 with PACSA Secure Sector
Physical dimensions (l x w x h)	5.56 " x 2.00 " x .695 "
Operating temperatures	0 to 40 C 32 to 104 F
Weight	4.1 oz
Power supply	Connect to powered USB port or via USB power supply
Interface	USB and WiFi
Current requirement	160 mA

Allegion, the Allegion logo, ENGAGE, Schlage, the Schlage logo are trademarks of Allegion plc, its subsidiaries and/or affiliates in the United States and other countries. All other trademarks are the property of their respective owners.

## About Allegion

Allegion (NYSE: ALLE) is a global pioneer in safety and security, with leading brands like CISA®, Interflex®, LCN®, Schlage®, SimonsVoss® and Von Duprin®. Focusing on security around the door and adjacent areas, Allegion produces a range of solutions for homes, businesses, schools and other institutions. Allegion is a \$2 billion company, with products sold in almost 130 countries. For more, visit [www.allegion.com](http://www.allegion.com).

KRYPTONITE ■ LCN ■  ■ STEELCRAFT ■ VON DUPRIN



© 2020 Allegion  
011168, Rev. 09/20  
[www.allegion.com/us](http://www.allegion.com/us)

## VON DUPRIN®

# Remote undocking and remote monitoring



## Overview

In many institutional facilities, traffic is funneled through main perimeter openings equipped with access control. The remaining secondary perimeter openings utilize mechanical hardware, some of which is mechanically dogged (unlocked) and undogged (locked) to enable push/pull operation. The manual management and monitoring of these openings is inefficient and prone to human error.

The Von Duprin® RU retrofit kit for exit devices is a cost effective solution for these secondary openings that enables remote undocking for centralized lock down and door status monitoring. It connects wirelessly to our access control Physical Access Control Software (PACS) providers via an IP or RSI/RS-485 connection to the ENGAGE™ gateway. It is a modular battery powered kit that can be added on to existing 98/99 and 33A/35A series devices. The RM option is a sensor only configuration for exit only or fire rate doors that require monitoring. It provides visibility to request to exit (RX), latchbolt monitor (LX) and door position switch (DPS).<sup>2</sup> This complementary solution enhances security by expanding the reach of the access control system to secondary openings that traditionally would go unaddressed because of the cost and complexity of running wires. Bringing these secondary openings online provides a more comprehensive perimeter security package.

## Features and benefits

- Access control managed via an IP or RSI/RS-485 connection to the ENGAGE gateway through PACS providers
- Modular kit compatible with 98/99 and 33A/35A series devices
- Enables undocking for centralized lockdown (via real time IP or RS-485) or scheduled lockup (via Wi-Fi or real time IP or RS-485)
- Cylinder and hex mechanical dogging is maintained but can be overridden electronically
- Enables comprehensive view of door status via request to exit (RX), latchbolt monitor (LX) and door position switch (DPS)
- Sensor only configuration version (RM) available for exit only doors or fire rated doors
- Battery life up to 2 years with 4 standard AA batteries<sup>1</sup>
- Electronics Certifications: UL294 indoor, FCC Part 15 - Commercial

<sup>1</sup> Assuming dog and undog sequence use rate is 2 cycles per day, exception notification rate is one occurrence every 2 days, and door use of at least 200 cycles per day (sensor and wireless activity indication).

<sup>2</sup> RU using ENGAGE software or PAC solution via Wi-Fi is available for scheduled lock-up events only. This solution is not available for real time lockdown.

## CYBERSECURITY

Learn about Allegion's commitment

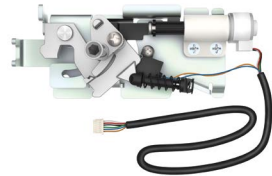
## Main components of RU kit:



Cover



Battery housing/batteries/main PCB



Undog assembly



LX/DPS and RX switch assembly

## Wireless specifications

Audits	Up to 2,000 <sup>1</sup>
Visual communications	LED (red, amber, green)
Audible communications	Audible indicator (field configurable)
Communication standards	<ul style="list-style-type: none"><li>Bluetooth low energy (BLE) (version 4.2)</li><li>Advanced Encryption Standard (AES), 256-bit</li><li>2.4 GHz Wi-Fi® (IEEE 802.11b/g/n)<sup>2</sup></li><li>WPA2, WPA, WEP, 802.1x</li><li>Transport Layer Security (TLS) version 1.2</li></ul>
Communication range	Up to 30 ft.
Wake-Up on Radio	Responds to command from host in less than 5 seconds when linked to ENGAGE Gateway (requires PACS provider system)
Connectivity options	<ul style="list-style-type: none"><li>IP or RSI/ RS-485 connection to the ENGAGE™ gateway</li><li>BLE to mobile devices</li><li>BLE to ENGAGE Gateway</li><li>Wi-Fi (ENGAGE software enabled or PAC enabled where integrated)<sup>2</sup></li></ul>
Battery life	Up to 2 years with 4 AA batteries <sup>3</sup>
Operating temperature	-4° to 140°F (-20° to 60°C)
Operating humidity	0 - 100% non-condensing
Certifications	<b>Exit Devices will maintain the following:</b> BHMA A156.3 (Grade 1), UL305, Windstorm WX98/9927, Tornado FEMA 361 ANSI/ICC500, ADA ANSI A117.1, UL 10C 3 hour, ANSI/BHMA 156.18-2012 QUV <b>Electronics Certification:</b> UL294 indoor, FCC Part 15 - Commercial

## Available status signals

- Request-to-exit
- Door position
- Interior cover tamper<sup>4</sup>
- Magnetic tamper
- Battery status
- Dog/undog status<sup>5</sup>
- Communication status<sup>4</sup>

## ENGAGE™ mobile applications ENGAGE™ TECHNOLOGY

The ENGAGE mobile application delivers simple and convenient site device set-up.

<sup>1</sup> Maximum audit storage capacity of lock. Can vary upon access control software audit storage capacity when linked with an ENGAGE Gateway RS-485 to ACP.

<sup>2</sup> For offline management only.

<sup>3</sup> Assuming dog and undog sequence use rate is 2 cycles per day, exception notification rate is one occurrence every 2 days, and door use of at least 200 cycles per day (sensor and wireless activity indication).

<sup>4</sup> Consult your access control software provider for specific scope of support.

<sup>5</sup> Software indicates dog/undog status based on sequence of events.

## Mechanical specifications

Dogging Options	Cylinder Dogging, Hex Dogging
ANSI standard	ANSI/BHMA A156.25-2013 (Indoor/Outdoor)
(Meets or exceeds)	ANSI/BHMA A156.2-2011, Series 4000, Grade 1

## Compatible exit devices

	33A/35A*	98/99*
RIM	✓	✓
SVR	✓	✓
CVR	✓	✓
CVC	✓	✓
Mortise	–	–
3 pt latch	✓	✓

\*For devices manufactured after 9/1997.

## Compatible device lengths

**For Remote Undogging (RU) Module installation:** All 33A/35A and 98/99 device types – 3' (914 mm) length to 2' 9" (838 mm), 4' (1219 mm) length to 3' 3" (991 mm)

**For Remote Monitoring (RM) Module only:** All 33A/35A and 98/99 device types – 3' (914 mm) length to 2' 8<sup>3</sup>/<sub>4</sub>" (832 mm), 4' (1219 mm) length to 3' 2<sup>3</sup>/<sub>4</sub>" (984 mm)

**For Remote Monitoring (RM) Module with EL/QEL:** All 33A/35A and 98/99 device types – 3' (914 mm) length only, 4' (1219 mm) length to 3' 5<sup>1</sup>/<sub>8</sub>" (1045 mm)

**RU not compatible with exit devices with the following options:**

QEL, DI/CDSI/HDSI, RX2, AD, SD, SS, PN, ES/PL, CX, XP

**RM not compatible with exit devices with the following options:**

DI/CDSI/HDSI, RX2, AD, SD, SS, PN, ES/PL, CX, XP

## How to order

### Remote Undogging

RU 3' kit	47258681
RU 4' kit	47258682

### Remote Monitoring

RM 3' kit	47258683
RM 4' kit	47258684

If the door and exit device are fire rated, and the exit device type is a 98/99-F Rim manufactured prior to April 1, 2018, a new center case will be required before proceeding with the installation of the RM kit. 98/99-F Rim Center Case Kit Less Cover, part number 050026.

**NOTE:** Specify CON for Allegion Connect



This page intentionally left blank.

## About Allegion

Allegion (NYSE: ALLE) is a global pioneer in safety and security, with leading brands like CISA®, Interflex®, LCN®, Schlage®, SimonsVoss® and Von Duprin®. Focusing on security around the door and adjacent areas, Allegion produces a range of solutions for homes, businesses, schools and other institutions. Allegion is a \$2 billion company, with products sold in almost 130 countries. For more, visit [www.allegion.com](http://www.allegion.com).

KRYPTONITE ■ LCN ■  ■ STEELCRAFT ■ VON DUPRIN



© 2020 Allegion  
011898, Rev. 09/20  
[www.allegion.com/uss](http://www.allegion.com/uss)





# GWE Gateway

ENGAGE™ Gateway with IP (PoE) and RS-485 communication



## Overview

The ENGAGE™ Gateway is designed to be used with devices that feature ENGAGE™ technology, including Schlage® Control™, LE, NDE, CTE as well as Von Duprin® Remote Undocking (RU) and Remote Monitoring (RM). The ENGAGE Gateway enables these devices to be connected in real-time with Physical Access Control Software (PACS) providers. Each ENGAGE Gateway can support up to 10 wireless devices for a wide range of applications, including resident units, office and suite entries, conference rooms, sensitive storage areas and perimeter entries.

### Security

ENGAGE technology was designed from the ground up with security in mind. ENGAGE technology leverages industry-leading security practices, including AES 256 bit and TLS encryption to provide customers with a secure, dependable experience.

### Reliability

Regular, frequent communication between the Gateway and linked ENGAGE™ enabled devices allows the Gateway to send commands such as lock, unlock and lock down from an ACP or IP host in real-time (commands are executed in < 5 seconds). All while enabling up to a 2-year battery life in linked wireless devices.

### Efficiency

The ENGAGE Gateway provides the ability to leverage existing IP based or RS-485 infrastructure for maximum efficiency. Ethernet connectivity provides ability to connect to the network for real-time access control directly from an in- or out-of-network host; to further simplify installation the Gateway can be powered over ethernet (PoE). Additionally, the ENGAGE Gateway is designed to work seamlessly in an existing RS-485 environment to extend access control to more doors. It can be powered from the access control panel (ACP) or from the 12VDC supply (included).

## Features and benefits

- Small form factor, versatile design fits almost anywhere
- Plug and play connectivity without opening or drilling into the housing. External recessed power, antenna, RS-485 and Ethernet (PoE) ports for easy set-up
- Designed to work seamlessly in an existing RS-485 environment
- Designed with PoE built in to leverage a building's existing network infrastructure for communication and power
- Easily and securely commissions in seconds with the ENGAGE™ mobile app—no proprietary handheld device required
- Secure AES-256 bit encrypted 2.4 GHz Bluetooth 4.0 communication between Gateway and ENGAGE™ enabled devices does not interfere with Wi-Fi networks
- Capable of managing up to 10 ENGAGE enabled devices
- Optional 12 VDC external power supply included to achieve UL294 Listing

## CYBERSECURITY

Learn about Allegion's commitment

## Gateway specifications

Communication protocol (Gateway to Lock)	2.4 GHz Bluetooth version 4.0 (spread spectrum, dynamic channel switching, 40 channels)
Transmission/encryption (Gateway to Lock)	AES-256 bit key
Credential verification time	< 1 second <sup>1</sup>
BLE communication range	<p>A detailed site survey is recommended to determine range in each unique environment. Up to 30' can be achieved in typical building environments. Under ideal conditions, up to 50' line of sight may be possible. A detailed site survey is recommended to determine if the extended range can be achieved. Performance is dependent on local physical (geometry, construction materials, and furnishings) and RF environment. For planning purposes users should consider estimating at least 10% contingency for Gateway quantity.</p> <p>The TKE ENGAGE Test Kit is now available for site surveys. Reference the ENGAGE Gateway Placement Guide for details.</p>
Visual communications	LED status indicators
System interface	Ethernet to IP host <sup>2</sup> RS-485 to ACP <sup>3</sup>
Transmission/encryption (Gateway to ACP or IP host)	TLS version 1.2 or greater (to IP host) Optional AES-128 bit key (to ACP)
Gateway Discovery Methods (by partner IP host)	Zero-configuration (zeroconf), Static IP, or DHCP with hostname option
Power supply	PoE (12.95W compliant to IEEE 802.3af/at) 12 VDC or 24 VDC (terminals)
Operating current	PoE: 60 mA 12 VDC: 330 mA, 24 VDC: 100 mA
Operating temperature	32° to 120°F (0° to 49°C)
Operating humidity	0% to 100% non-condensing
Dimensions (H x W x D)	5.1" x 6.0" x 1.2" (13.0 cm x 15.3 cm x 3.04 cm)
Weight	8.6 oz (.24 kg)
Cable specifications	DC terminal input: 18AWG, 2 conductor (Belden 8760 or equivalent) up to 1000 ft (305 m) Gateway to ACP: 24AWG, 2 or 4 conductor shielded (Belden 9842, 9841 or equivalent) up to 4000 ft (1219 m) Gateway to router: CAT3, CAT5/5E or CAT6 up to 328 ft (100 m)
Data rate	Gateway to Lock: up to 1 Mbps (Bluetooth) Gateway to ACP: 9.6 kbps (RS-485) Gateway to IP Host: up to 100 Mbps (Ethernet)
Certifications	UL294, FCC Part 15, Industry Canada(IC), RoHS

<sup>1</sup> Dependant on latency time of access control system

<sup>2</sup> Supports NDE, LE, CTE, Schlage Control Smart locks and Von Duprin RU and RM

<sup>3</sup> Supports NDE, LE and Von Duprin RU and RM

Allegion, the Allegion logo, Schlage, the Schlage logo and Von Duprin are trademarks of Allegion plc, its subsidiaries and/or affiliates in the United States and other countries. All other trademarks are the property of their respective owners.

## Additional features

### Real-time communication

Regular, frequent communication between the Gateway and linked ENGAGE enabled devices allows the Gateway to send commands such as lock, unlock and lock down from an ACP or IP host in real-time (commands are executed in < 5 seconds). All while enabling up to a 2-year battery life in linked wireless devices.

### Secure encrypted transmissions

All communications between the Gateway, the ENGAGE mobile app and ENGAGE enabled devices are encrypted with an AES-256 bit key to provide virtually uncompromisable security. Additionally, all communications between the Gateway and an IP host over an existing network are secured with TLS 1.2 (or newer) encryption.

### Visual indications

- Power up
- Factory default state
- Connected to mobile device
- Normal operation
- Linking status
- Diagnostics

### Edge device status\* (available through host connection)

- Card data
- Door position
- Loss of communication
- Request-to-exit
- Low battery
- Interior cover tamper guard
- Lock/unlock status
- Request-to-enter
- Deadbolt position
- Interior push button

### Configurable items from Gateway\*

- Relock parameters
- Card data format conversion
- Extended unlock
- Fail safe/fail secure/fail as-is
- Door held pre-alarm
- Cache memory parameters
- Reader configuration
- Keypad configuration
- Inside pushbutton configuration
- User interface configuration

\*Capability varies by edge device. Refer to device solution sheet.

## Ordering information

- GWE – ENGAGE™ Gateway with RS-485 and IP (PoE) connectivity. Supports up to 10 ENGAGE™ enabled devices with select brands of access control panels.

## About Allegion

Allegion (NYSE: ALLE) is a global pioneer in safety and security, with leading brands like CISA®, Interflex®, LCN®, Schlage®, SimonsVoss® and Von Duprin®. Focusing on security around the door and adjacent areas, Allegion produces a range of solutions for homes, businesses, schools and other institutions. Allegion is a \$2 billion company, with products sold in almost 130 countries. For more, visit [www.allegion.com](http://www.allegion.com).

KRYPTONITE ■ LCN ■  ■ STEELCRAFT ■ VON DUPRIN



© 2020 Allegion  
010842, Rev.03/20  
[www.allegion.com/uss](http://www.allegion.com/uss)

# TKE

## ENGAGE™ Test Kit



### Overview

The ENGAGE™ Test Kit (TKE) helps evaluate system design prior to installation of new ENGAGE wireless networked systems which utilize the ENGAGE GWE Gateway. The TKE can also be used to diagnose signal quality and signal strength in existing ENGAGE wireless applications.

ENGAGE enabled locks and devices communicate via 2.4 GHz Bluetooth® Low Energy (BLE) to the ENGAGE Gateway which is required for communication between ENGAGE devices and the access control panel for networked, real-time solutions using one of our integrated PACS providers.

The ENGAGE Test Kit transponder is used to communicate to the ENGAGE Gateway as an access control module. By using the ENGAGE mobile app to conduct the survey it is possible to obtain clear and comprehensive results during the survey. LED lights and numerical data provide intuitive feedback about the quality and strength of the 2.4 GHz Bluetooth Low Energy (BLE) signal<sup>1</sup>. By obtaining feedback on two different data points in the same test it makes it easier to identify issues and optimize placement of the gateway.

The communication range of ENGAGE enabled devices to the gateway is up to 30 feet with normal building construction. The TKE can be used to determine the proper location of each Gateway to optimize system design. When installed properly, an ENGAGE wireless solution is an extremely reliable and cost-effective alternative to a hardwired networked system.

### Features and benefits

- Allows testing of 2.4 GHz Bluetooth Low Energy (BLE) signals between ENGAGE enabled devices and ENGAGE Gateway<sup>1</sup>
- Assists in accurate system design and quoting process
- Ensures proper location of gateways for efficient system installation
- Can be used to test existing installations for signal quality and strength
- Numerical and color indication of signal strength and quality; green for strong connection, red for weak connection
- For use with Schlage Control™, NDE, and LE wireless locks, Schlage CTE single door controller and Von Duprin® exit devices with the RU/RM option
- Power supply, rechargeable battery and tripod included in kit for on-site convenience

1. Kit does not support testing of Wi-Fi signals or standalone installations.

### CYBERSECURITY

Learn about Allegion's commitment

---

## ENGAGE Test Kit transponder specifications

---

Frequency	2.4 GHz Bluetooth Low Energy (BLE) version 4.0
Communication range	Up to 30 ft with obstructions (normal building)
Operating temperature	32° to 120°F (0° to 49°C)
Battery type	4AA alkaline batteries
Dimensions (H x W x D) (excluding wire fastener)	7.20" x 3.59" x 2.80" (18.29 cm x 9.12 cm x 7.11 cm)
Certifications	<ul style="list-style-type: none"><li>▪ FCC Part 15</li><li>▪ Industry Canada (IC)</li><li>▪ RoHS</li></ul>

---

---

## ENGAGE GWE Gateway specifications

---

Frequency	2.4 GHz Bluetooth Low Energy (BLE) version 4.0
Communication range	Up to 30 ft with obstructions (normal building)
LED user interface	Power on, linking status, connection to mobile device
Operating temperature	32° to 120°F (0° to 49°C)
Power	12 VDC or 24 VDC (12 VDC power supply and rechargeable lithium battery included)
Dimensions (H x W x D)	5.1" x 6.0" x 1.2" (13.0 cm x 15.3 cm x 3.04 cm)
Weight	8.6 oz (.24 kg)
Certifications	<ul style="list-style-type: none"><li>▪ UL 294</li><li>▪ FCC Part 15</li><li>▪ Industry Canada (IC)</li><li>▪ RoHS</li></ul>

---

## ENGAGE Test Kit contains:

- ENGAGE GWE Gateway and mounting bracket
- Two ENGAGE transponders
- 12 VDC power supply
- Rechargeable battery
- Quick start guides
- 9 foot tripod
- Backpack

Allegion, the Allegion logo, ENGAGE technology, Schlage and Von Duprin are trademarks of Allegion plc, its subsidiaries and/or affiliates in the United States and other countries. All other trademarks are the property of their respective owners.

## About Allegion

Allegion (NYSE: ALLE) is a global pioneer in safety and security, with leading brands like CISA®, Interflex®, LCN®, Schlage®, SimonsVoss® and Von Duprin®. Focusing on security around the door and adjacent areas, Allegion produces a range of solutions for homes, businesses, schools and other institutions. Allegion is a \$2 billion company, with products sold in almost 130 countries. For more, visit [www.allegion.com](http://www.allegion.com).

KRYPTONITE ■ LCN ■  ■ STEELCRAFT ■ VON DUPRIN



© 2020 Allegion  
013210, Rev. 09/20  
[www.allegion.com/us](http://www.allegion.com/us)

## Networked locking



This section of the Electronic Access Control catalog covers networked AD Series adaptable electronic locks and other devices and accessories that can be easily integrated into an access control system.

### Overview

The AD Series was built from the ground up to provide more options, more functionality and more compatibility than any other electronic locking solution on the market today. The AD Series meets today's security needs while also easily adapting to future needs as they emerge. The AD Series is designed on an open architecture platform to provide users with enhanced flexibility and scalability, resulting in an investment that's every bit as secure as your facility.

### Features

The AD Series simplifies installation by combining the electrified lock, reader, door position switch, request-to-exit, and other status monitors together. Panel interface options such as RS-485, Wiegand and Clock and Data ensure seamless, real-time communication with the access control system. The AD Series is available with nine different credential reader options. For added convenience, security personnel can configure failure modes, card formats and other features in the field. The AD Series is compatible with most popular models of Conventional, SFIC and FSIC cylinders. It is also compatible with popular exit devices with low current REX switches including Von Duprin 98/99 and 98/99XP (Rim, Mortise, SVR and CVC/CVR on metal doors only), Von Duprin 22/22F (Rim and SVR only) as well as Falcon 25 (rim only). The AD Series is ANSI/BHMA A156.25, ANSI/BHMA Grade 1 certified and is UL 294 Listed.

### Benefits

The modular design of the AD Series creates an easy and affordable way to expand a security system and integrate emerging technologies over time and when budgets permit. Customers can easily upgrade readers or networking options – all without having to remove the lock from the door. And the wireless technology gives you the option to install access control on doors that have traditionally been difficult to wire while providing real-time monitoring and centralized lockdown capabilities. The AD Series was designed to be the right choice for today, and ready for whatever the future holds. With the AD Series you can be assured that your investment is every bit as protected as your facility.

### Mobile credentials

Schlage AD Series locks (as well as Schlage NDE and LE Series wireless locks and wired multi-technology readers) are compatible with NFC technology on Android and iOS devices. Allegion helps universities across the country achieve frictionless student experiences via contactless student IDs in Apple Wallet and Google Pay.

## CYBERSECURITY

Learn about Allegion's commitment

## Lock options:

AD Series networked locks have several options to choose from including:

- **Class:** AD-300 hardwired, AD-400 wireless, AD-302 FIPS 201-2 compliant, AD-402 FIPS 201-2 compliant (Choice of class may limit other available options)
- **Chassis:** Cylindrical, mortise, mortise deadbolt, exit trim
- **Function<sup>1</sup>:** Classroom/storeroom, office, privacy, apartment
- **Reader<sup>1</sup>:** Keypad, magnetic stripe, smart and multi-technology (proximity 125 kHz, smart card 13.56 MHz and NFC mobile). All card readers are available with + PIN option for added security.
- **Lever style:** Athens, Broadway, Boardwalk, Latitude, Longitude, Rhodes, Sparta and Tubular (Tactile warning options available)
- **Finish:** 626 satin chrome, 605 bright brass, 606 satin brass, 612 satin bronze, 619 satin nickel, 625 bright chrome, 643e aged bronze, 626AM satin chrome with antimicrobial
- **Keyway/cylinder:** See lever and cylinder compatibility data sheet (010432)
- **Exit trim:** See AD Series exit trim compatibility data sheet (004382)

### AD Series FIPS 201-2 compliant solution:

The AD Series is an ideal solution for applications which require approval by the U.S. Federal Government under HSPD-12 for FIPS 201-2 compliance. In order to meet requirements, the AD Series lock must be part of an integrated system tested and formally approved to meet the government FIPS 201-2 criteria. Refer to the [Approved Products list](#) to see what Physical Access Control Software (PACS) providers have met the requirement and are permitted to deploy AD-302 and -402 electronic locks in your facility.

It is possible to upgrade existing, non-compliant AD Series locks to the new standard. Please reference the AD-302 or AD-402 pages for more information.

## Extend the reach of access control with proven 900 MHz wireless technology

The Schlage AD Series wireless system allows users to extend the reach of access control to areas where running wires is difficult, expensive or virtually impossible. Installations on interior doors, remote doors, historic buildings, 24/7 facilities, elevators and parking gates are now made possible by eliminating the need to run wires directly to the access point. Options are available to accommodate Wiegand or Clock and Data, as well as RS-485 connections to the access control system.

The AD Series wireless system communicates via 900 MHz frequency to a Panel Interface Module (PIM) which is then hardwired back to the access control panel. Each PIM can support up to 16 wireless devices within a 200' range in most facilities and up to 1000' with clear line of sight. The 900 MHz band enables longer transmission ranges; wavelengths travel a greater distance and better penetrate typical building construction – allowing for simplified system design. And since 900 MHz operates on a different frequency versus Wi-Fi®, it won't burden existing IT infrastructure.

Secure and reliable wireless communication (heartbeat) from the PIM to the access control system occurs on a periodic basis and is field configurable; the factory default is set at 10 minutes. The AD Series wireless system utilizes patented Wake-Up On Radio™ technology to deliver real-time activation at a remote wireless lock while maintaining up to a 2 year battery life. This feature, which is configurable from 10 seconds to as fast as 1 second, enables centralized emergency lockdown and unlock commands in applications where both speed and battery life are critical.

In addition to the AD Series locks, a variety of wireless devices are available to extend the reach of access control to applications which may be difficult to wire. These include wireless remote antennas (ANT400), Wireless Portable Readers (WPR400), Wireless Reader Interfaces (WRI400), Wireless Repeaters (REPTR400), Wireless Gate Control Kits (GCK400), and Wireless Elevator Control Kits (ECK400).

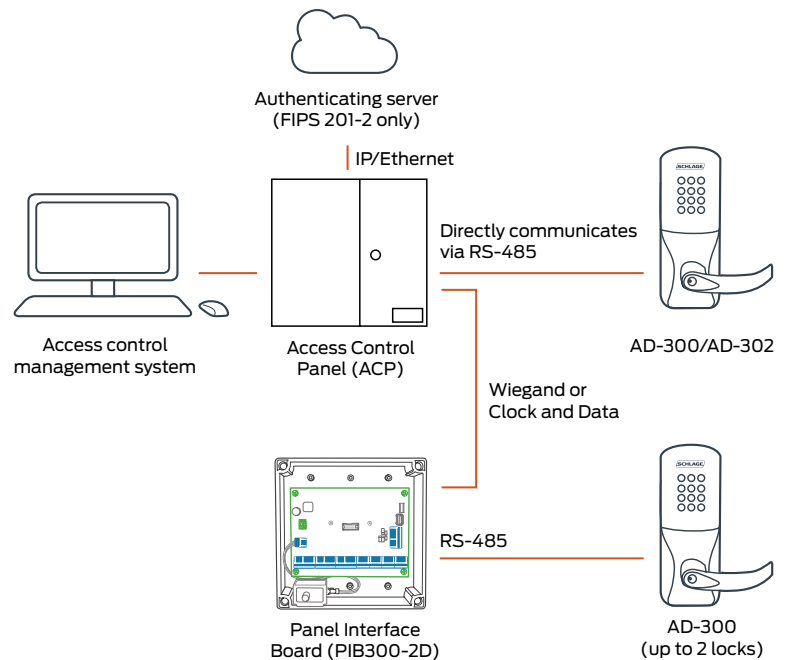
### Notes:

- 1 Check with PACS provider to verify support of reader/credential formats and lock functions.



## AD-300 and AD-302 FIPS 201-2 compliant networked hardwired solution:

- Direct connection from lock to ACP via RS-485 with specific Allegion PACS provider systems.
- PIB300-2D required for Wiegand or Clock and Data connection; supports up to 2 AD-300 locks.
- Utilize relay/dry contact board (RLBD) if supervised inputs are required in Wiegand systems.
- Verify requirements for reader Interface or gateway with your access control provider.
- FMK reader can now be ordered as separate component for upgrade to a FIPS 201-2 compliant lock. It must utilize the most current firmware and be applied within a FIPS 201-2 approved PACS provider system. See [Approved Products list](#) for further detail.



## AD-300/AD-302 Hardwired lock features

Communication to/from controller	Direct - RS-485	Wiegand or Clock and Data
<b>Features</b>		
Consult with PACS provider for specific requirements		
Panel interface module	N/A	PIB300-2D (AD-300 only)
Number of locks per panel interface module	N/A	Up to 2
<b>Reader options</b>		
Consult with PACS provider for supported card formats		
Keypad only	AD-300 only <sup>1</sup>	AD-300 only <sup>1</sup>
Magnetic stripe card	AD-300 only <sup>1</sup>	AD-300 only <sup>1</sup>
FIPS 201-2 multi-technology - 125 kHz and 13.56 MHz	Yes <sup>1,2</sup>	N/A
Multi-technology - 125 kHz, 13.56 MHz and NFC mobile <sup>4</sup>	Yes <sup>1</sup>	Yes <sup>1</sup>
PIV and PIV-I compatible <sup>2</sup>	Yes <sup>1,2</sup>	Yes <sup>1,2</sup>
Smart – iClass compatible	Yes <sup>1</sup>	Yes <sup>1</sup>
Card + PIN	Yes <sup>1</sup>	Yes <sup>1</sup>
<b>Status monitors</b>		
Consult with PACS provider for supported card formats		
Request-to-exit	Yes <sup>1</sup>	Yes <sup>1</sup>
Door position switch	Yes <sup>1</sup>	Yes <sup>1</sup>
Mechanical key override (ATK)	Yes <sup>1</sup>	No
Request-to-enter	Yes <sup>1</sup>	Yes <sup>1</sup>
Low battery status	N/A	N/A
Communication status: RF/RS-485	Yes/ Yes <sup>1</sup>	Yes/ Yes <sup>1</sup>
Remote lockdown/unlock	Yes	Yes
Deadbolt position	Yes <sup>1</sup>	No
Interior push button	Yes <sup>1</sup>	No
<b>Functions</b>		
Consult with PACS provider for specific support		
Classroom/storeroom (70)	Yes <sup>3</sup>	Yes <sup>3</sup>
Privacy (40)	Yes <sup>1</sup>	No
Office (50)	Yes <sup>1</sup>	No
Apartment (60)	Yes <sup>1</sup>	No

1 As supported by PACS provider. NFC not supported by AD-302.

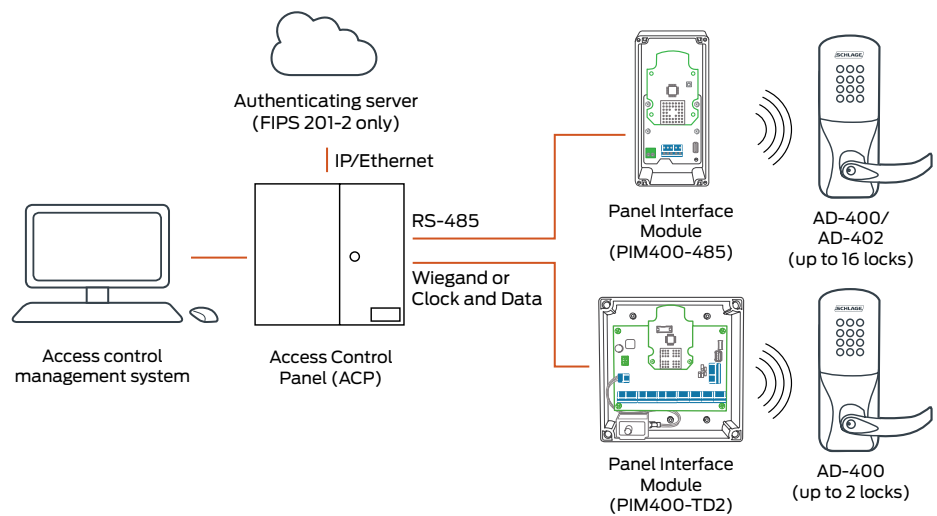
2 AD Series FIPS 201-2 compliant solution: The AD Series is an ideal solution for applications which require approval by the U.S. Federal Government under HSPD-12 for FIPS 201-2 compliance. In order to meet requirements, the AD Series lock must be part of an integrated system tested and formally approved to meet the government FIPS 201-2 criteria. Refer to the [Approved Products](#) list to see what Physical Access Control Software (PACS) providers have met the requirement and are permitted to deploy AD-302 and -402 electronic locks in your facility.

3 Not available with mortise deadbolt chassis.

4 See minimum supported guidelines.

## AD-400 and AD-402 FIPS 201-2 compliant networked wireless solution:

- PIM400-TD2 required for Wiegand or Clock and Data connections; supports up to 2 AD Series devices.
- PIM400-485, if supported by OEM provider, supports up to 16 AD-400/AD-402 devices.
- Utilize relay/dry contact board (RLBD) if supervised inputs are required in Wiegand systems.
- Verify requirements for reader interface or gateway with your access control provider.
- FMK reader can now be ordered as separate component for upgrade to a FIPS 201-2 compliant lock. It must utilize the most most current firmware and be applied within a FIPS 201-2 approved PACS provider system. See [Approved Products list](#) for further detail.



## AD-400/AD-402 Wireless lock features

Communication to/from controller	Direct - RS-485	Wiegand or Clock and Data
<b>Features</b>		
Consult with access control system provider for specific requirements		
Panel Interface Module	PIM400-485 (sold exclusively through PACS providers)	PIM400-TD2 (AD-400 only)
Number of locks per panel interface module	Up to 16	Up to 2
<b>Reader options</b>		
Consult with access control system provider for supported card formats		
Keypad only	AD-400 only <sup>1</sup>	AD-400 only <sup>1</sup>
Magnetic stripe card	AD-400 only <sup>1</sup>	AD-400 only <sup>1</sup>
FIPS 201-2 multi-technology - 125 kHz and 13.56 MHz	Yes <sup>1, 2</sup>	N/A
Multi-technology - 125 kHz, 13.56 MHz and NFC mobile <sup>4</sup>	Yes <sup>1</sup>	Yes <sup>1</sup>
PIV AND PIV-I compatible <sup>1</sup>	Yes <sup>1, 2</sup>	Yes <sup>1, 2</sup>
Smart-iClass compatible	Yes <sup>1</sup>	Yes <sup>1</sup>
Card + PIN	Yes <sup>1</sup>	Yes <sup>1</sup>
<b>Status monitors</b>		
Consult with access control system provider for specific support		
Request-to-exit	Yes <sup>1</sup>	Yes <sup>1</sup>
Door position switch	Yes <sup>1</sup>	Yes <sup>1</sup>
Mechanical key override (ATK)	Yes <sup>1</sup>	No
Request-to-enter	Yes <sup>1</sup>	Yes <sup>1</sup>
Low battery status	Yes <sup>1</sup>	Yes <sup>1</sup>
Communication status: RF/RS-485	Yes/ Yes <sup>1</sup>	Yes/ Yes <sup>1</sup>
Remote lockdown/unlock	Yes <sup>1</sup>	Yes <sup>1</sup>
Deadbolt position	Yes <sup>1</sup>	No
Interior push button	Yes <sup>1</sup>	No
<b>Functions</b>		
Consult with access control system provider for specific support		
Classroom/storeroom (70)	Yes <sup>3</sup>	Yes <sup>3</sup>
Privacy (40)	Yes <sup>1</sup>	No
Office (50)	Yes <sup>1</sup>	No
Apartment (60)	Yes <sup>1</sup>	No

1 As supported by access control system provider. NFC not supported by AD-402.

2 AD Series FIPS 201-2 compliant solution: The AD Series is an ideal solution for applications which require approval by the U.S. Federal Government under HSPD-12 for FIPS 201-2 compliance. In order to meet requirements, the AD Series lock must be part of an integrated system tested and formally approved to meet the government FIPS 201-2 criteria. Refer to the [Approved Products](#) list to see what Physical Access Control Software (PACS) providers have met the requirement and are permitted to deploy AD-302 and -402 electronic locks in your facility.

3 Not available with mortise deadbolt chassis.

4 See minimum supported guidelines.

Allegion, the Allegion logo, Schlage, the Schlage logo, and Von Duprin are trademarks of Allegion plc, its subsidiaries and/or affiliates in the United States and other countries. All other trademarks are the property of their respective owners.

### About Allegion

Allegion (NYSE: ALLE) is a global pioneer in safety and security, with leading brands like CISA®, Interflex®, LCN®, Schlage®, SimonsVoss® and Von Duprin®. Focusing on security around the door and adjacent areas, Allegion produces a range of solutions for homes, businesses, schools and other institutions. Allegion is a \$2 billion company, with products sold in almost 130 countries. For more, visit [www.allegion.com](http://www.allegion.com).

KRYPTONITE ■ LCN ■  ■ STEELCRAFT ■ VON DUPRIN



© 20120 Allegion  
005022, Rev. 09/20  
[www.allegion.com/us](http://www.allegion.com/us)

**SCHLAGE**

## AD-400

Networked wireless  
electronic lock



### Overview

AD Series electronic locks from Schlage® are designed to be modular and provide more options to choose from, more functionality in the lock and more compatibility with existing systems. Its patented modular design allows the lock to be customized to fit the needs of an application now, and changed to meet future needs without removing it from the door.

Factory orderable options include choices of credential readers, chassis type, network configurations, locking functions, power options, lever styles and finishes. It also offers a wide selection of features that can be configured in the field to customize your openings.

To simplify installation, the AD Series combines all the hardware components required at the door for a complete access control system into one integrated design that includes the electrified lock, credential reader, request-to-exit and request-to-enter sensors, door position switch, tamper guard and more.

The AD-400 wireless networked lock gives you many of the key benefits of a hardwired access control system — without the wires. This allows you to secure doors that were traditionally difficult to run wires to in the past—and increase the security throughout your facility.

The AD-400 has a number of features built in, that are configurable in the field and a long list of items that can be monitored by access control software. Please consult one of our Physical Access Control Software (PACS) providers for details on the integration of specific features.

### Features and benefits

- Open architecture platform
- Panel interface options ensure seamless communication with your system
- Non-invasive installations for historic buildings and sensitive areas
- Secure encrypted data transmission
- Unique communication protocols that won't interfere with other wireless networks
- Patent-pending wireless feature enables centralized lockdown in less than 10 seconds while still optimizing battery life up to 2 years
- Wireless accessories available for remote, gate, elevator and portable (mustering) applications
- Compatible with NFC mobile credentials on iOS and Android platforms<sup>1</sup>
- ANSI/BHMA A156.25, ANSI/BHMA Grade 1, UL 294, UL10C, FCC Part 15, ADA, RoHS, Industry Canada (IC), FL12400<sup>2</sup>, FL1591<sup>2</sup>, FL13013<sup>2</sup> and FL14482<sup>2</sup>

<sup>1</sup> Check with PACS provider for specific support of Mobile Student IDs in Apple Wallet and Google Pay

<sup>2</sup> Applies to cylindrical and mortise chassis only

### **CYBERSECURITY**

Learn about Allegion's commitment

## Reliable communications

Secure and reliable wireless communication with the Panel Interface Module (PIM) is accomplished using 900 MHz frequency. 900 MHz band enables longer transmission ranges because signal propagation with longer wavelengths travel a greater distance and better penetrate typical building construction – allowing for simplified system design.

## Wake-Up on Radio

This feature enables implementation of wireless locks in applications where centralized lockdown or unlock is required. 'Wake Up on Radio' utilizes patent-pending technology to enable real-time activation at a remote battery-powered wireless lock. The technology is configurable from 10 to 1 second increments. When Wake-Up on Radio is used in critical applications Dynamic Channel Switching should also be enabled.

## Panel Interface Module (PIM400)

The PIM400 (sold separately) is required for communication between the AD-400 wireless lock and the access control panel, and can support up to 16 locks depending on your access control system.

## AD-400 electronic lock specifications

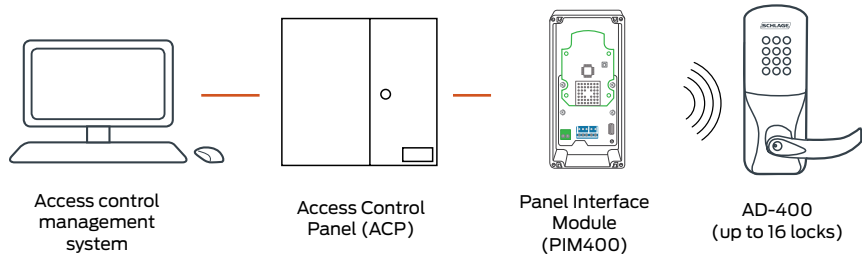
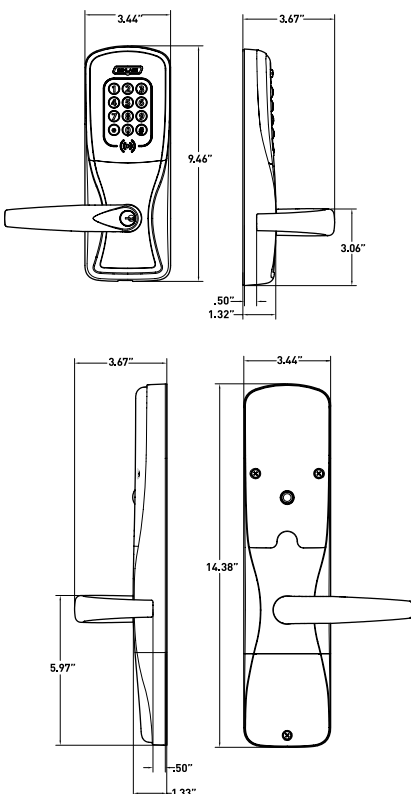
Modulation	900 MHz spread spectrum, direct sequence, 10 channels
Frequency range	902-928 MHz
Transmission/encryption	AES-128 bit key
Credential verification time	< 1 second <sup>1</sup>
Wake-Up on Radio	Responds to lock/unlock command from host in less than 10 seconds in battery powered applications (per field configuration)
Communication range	Up to 200 ft with obstructions (normal building construction), up to 1000 ft clear line of sight
RF interference avoidance	Configurable dynamic channel switching
Data rate	RF: 40 kbps
Visual/audible communications	Tri-colored LED's and audible indicators (field configurable)
System interface	RS-485, Wiegand, or Clock & Data via PIM400 to host
Power supply	4AA, 8AA, 12 VDC or 24 VDC
Voltage range	4 VDC to 26 VDC
Max current requirement	Up to 250 mA
Battery life	Up to 2 yrs with 4AA
Operating temperature/ exterior	-31° to 151°F (-35° to 66°C)
Operating temperature/ interior	32° to 120°F (0° to 49°C) (battery)
Operating humidity	0 - 100% non-condensing
Certifications	ANSI/BHMA A156.25, ANSI/BHMA Grade 1, UL 294, UL10 C, FCC Part 15, ADA, RoHS
Accessories	Panel Interface Module (PIM400), SUS-A Cable used with SUS Android mobile app, remote antennas for PIM400 to extend range, Dry Contact Relay Board (RLBD) may be required for supervised inputs (Wiegand systems)

### Functions

- Classroom/storeroom<sup>2</sup>
- Office<sup>2,3</sup>
- Privacy<sup>3</sup>
- Apartment<sup>3</sup>

### Available status signals

- Lock/unlock status<sup>4</sup>
- Request-to-exit
- Door position
- Mechanical key override<sup>3</sup>
- Deadbolt position<sup>3</sup>
- Interior push button<sup>3</sup>
- Interior cover tamper guard<sup>3</sup>
- Battery status
- Communication status<sup>3</sup>
- Request-to-enter<sup>3</sup>



<sup>1</sup> Lock requires less than 100 msec, response time does not include latency time of ACP.

<sup>2</sup> Classroom/storeroom and office function not available with mortise deadbolt option.

<sup>3</sup> Consult your Physical Access Control Software (PACS) provider for specific scope of support. Interior pushbutton, mechanical key override and deadbolt position are only available when linked via PIM400-485.

<sup>4</sup> Software indicates lock/unlock status based on sequence of events, but cannot validate mechanical clutch position unless monitored on RS-485 connection.



## Mechanical specifications

Chassis	Cylindrical	Mortise	Exit trim
Handing	Handed to order, field reversible		
ANSI standard (Meets or exceeds)	A156.25 A156.2 Series 4000 Grade 1	A156.25 A156.13 Series 1000 Grade 1	A156.25 A156.3
Door thickness	1 3/4" standard, 1 3/8" to 2 3/4" optional (available in 1/8" increments)		
Backset	Standard: 2 3/4" Optional: 2 3/8", 3 3/4", 5"	2 3/4" only	Defined by exit device
Latch bolt	Standard: 1/2" throw Optional: 3/4" throw	Standard: 3/4" throw Optional: 1" throw on mortise deadbolt	Provided by exit device
Levers	Pressure cast zinc, plated		
Strike	Standard: 1 3/16" lip, ANSI, 1 1/4" x 4 7/8" Optional: Additional configurations available please see price book		Provided by exit device
Cylinder and keys	Schlage® 6-pin Everest 29 S123 keyway Conventional cylinder with two patented keys standard. Additional options available including SFIC, FSIC and competitor brands. See lever and cylinder compatibility data sheet (010432)		

## Multi-technology reader specification

Credential technologies	Proximity (125 kHz), Smart (13.56 MHz) and Near Field Communication (NFC)
Standards	ISO 15693 ISO 14443
Read range	Proximity: up to 1.25" Smart: up to .75" NFC mobile: mobile device dependent
Proximity credential compatibility	<b>Compatibility:</b> Schlage, ISONAS™, HID®, GE/CASI ProxLite®, AWID® and LenelProx® <b>Schlage credential style formats:</b> Clamshell, ISO card, ISO card with magnetic stripe, keyfob, thin keyfob, PVC adhesive disk
Smart credential compatibility	<b>Secure sector compatibility:</b> Schlage MIFARE Classic®, Schlage MIFARE Plus®, Schlage MIFARE® DESFire® EV1 and EV2 with PACSA, PIV and PIV-I <sup>1</sup> <b>CSN only compatibility:</b> DESFire, HID iClass®, Inside Contactless Pico Tag®, MIFARE, MIFARE DESFire EV1 and EV2, ST Microelectronics®, Texas Instruments Tag-It®, Phillips I-Code® <b>Schlage credential style formats:</b> Clamshell, ISO card, ISO card with magnetic stripe, keyfob, thin keyfob, wearable wristband, PVC patch
Mobile credential compatibility	NFC-enabled mobile devices <sup>3</sup>
Certifications/standards	FCC, Industry Canada (IC), UL 294 Listed, ISO standard 15693 and ISO standard 14443
Options	12 button, 3x4 matrix backlit keypad

<sup>1</sup> FIPS 201-2 integration ready option available: The AD Series can be used in applications which require approval by the U.S. Federal Government under HSPD-12 for FIPS 201-2 compliance when installed as part of a tested and approved integrated solution. Please see the AD-402 data sheet or AD-302 data sheet for complete details.

<sup>2</sup> 75 bit output format default. Configurable to other output formats.

<sup>3</sup> Check with PACS provider for specific support of Mobile Student IDs in Apple Wallet and Google Pay.

## Available AD Series reader modules



### Multi-technology

- Proximity
- Smart card
- NFC mobile

KEYPAD



### Multi-technology

- Proximity
- Smart card
- NFC mobile



### Smart – iClass compatible

- Smart card
- NFC mobile

KEYPAD



### Smart – iClass compatible

- Smart card
- NFC mobile



### Magnetic stripe (insertion)

- KEYPAD



### Magnetic stripe (insertion)



### Magnetic stripe (swipe)

- KEYPAD



### Magnetic stripe (swipe)



### Keypad

## AD Series exit trim:

AD-400 exit trim is exclusively compatible with Von Duprin 98/99 and 98/99XP (Rim, Mortise, and SVR. CVC and CVR on metal doors only), Von Duprin 22/22F (Rim and SVR) and Falcon 25 (Rim) exit devices made by Allegion. The proper low current request-to-exit switch (RX-LC or AE) is required.

Part numbers for request-to-exit switch:

- Von Duprin: 050281
- Falcon: 650359

## Benefits of AD Series multi-technology readers:

- Reads multiple brands of both proximity (125 kHz) and smart (13.56 MHz) technologies with single reader
- Compatible with NFC mobile credentials on iOS and Android platforms<sup>3</sup>
- Allows facility to migrate to more secure credential technologies over time and as budgets permit

## Additional readers

### Smart – iClass compatible

- Reads secure sector of HID iClass, iClass SE, iClass SEOS, iClass Standard Key, and iClass Elite Key; Schlage MIFARE Classic, MIFARE Plus, and MIFARE DESFire EV1 and EV2
- Reads NFC mobile credential, Bluetooth mobile credential not supported
- Proximity not supported

### Magnetic stripe

- Available with choice of insertion or swipe style readers
- Triple track reader (1, 2 or 3), field configurable
- ABA, ISO76XX standard

### Keypad

- Backlit keypad
- 12 button, 3x4 matrix

# Ordering information

Available through one of our GSA schedule 84 approved distributions; BAA options available

AD-400-CY-70-MG-SPA-626-PD-S123-RH-4B-13-049-10-025-1 3/4

Series	Class	Chassis	Function	Reader	Lever style	Finish	Lever cylinder	Keying type	Handing	Battery	Backset & latch	Strike	Door thickness
1	2	3	4	5	6	7	8	9	10	11	12	13	14

## Selections correspond with the numbers above

Standard options are indicated in bold. See price book for specific configuration options.

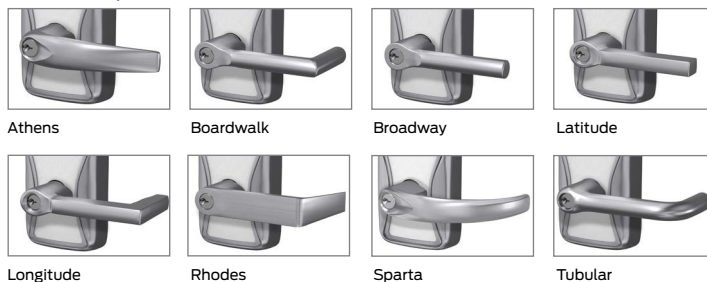
<b>3</b>	<b>Chassis</b>
CY	Cylindrical
MS	Mortise
MD	Mortise deadbolt
993R	Exit trim – Rim/CVC/CVR
993S	Exit trim – SVR
993M	Exit trim – mortise
993DT	Non-functioning dummy trim for exit
<b>4</b>	<b>Function</b>
70	Classroom/storeroom
50	Office
40	Privacy
60	Apartment
Lock function capabilities are determined by users access control system	
<b>5</b>	<b>Reader</b>
<b>KP</b>	<b>Keypad</b>
MG	Magnetic stripe (insertion)
MGK	Magnetic stripe + keypad (insertion)
MS	Magnetic stripe (swipe)
MSK	Magnetic stripe + keypad (swipe)
MT	Multi-technology
	(125 kHz, 13.56 MHz, NFC)
MTK	Multi-technology + keypad
	(125 kHz, 13.56 MHz, NFC)
FMK	FIPS 201-1 compliant
	multi-technology + keypad
	(125 kHz and 13.56 MHz)
Si	Smart–iClass compatible
SiK	Smart–iClass compatible + keypad
DT	Dummy trim

<b>6</b>	<b>Lever</b>
ATH	Athens
BRK	Boardwalk
BRW	Broadway
LAT	Latitude
LON	Longitude
RHO	Rhodes
SPA	Sparta
TLR	Tubular
Available with tactile warning options	
<b>7</b>	<b>Finish</b>
<b>626</b>	<b>Satin chrome</b>
605	Bright brass
606	Satin brass
612	Satin bronze
619	Satin nickel
625	Bright chrome
643e	Aged bronze
626AM	Satin chrome antimicrobial
<b>8</b>	<b>Lever cylinder type</b>
<b>PD</b>	<b>Schlage 6-pin Conventional key-in-lever cylinder</b>
See price book for other SFIC, FSIC and less cylinder options available. Compatible with Schlage®, Sargent®, Corbin Russwin, Medeco® and Yale®.	
<b>9</b>	<b>Keyway type</b>
<b>S123</b>	<b>Everest 29</b>
See price book for other available keyway options including restricted keyways in Primus XP high security cylinders and master keying	
<b>10</b>	<b>Handing</b>
<b>RH</b>	<b>Right handed</b>
LH	Left handed
Field reversible	

<b>11</b>	<b>Battery</b>
<b>4B</b>	<b>4AA</b>
8B	8AA
<b>12</b>	<b>Backset &amp; latch or armor front</b>
<b>Cylindrical</b>	
<b>13-247</b>	<b>2 3/4" backset, deadlatch, square corner, 1 1/8" x 2 1/4"</b>
<b>Mortise</b>	
<b>09-663</b>	<b>Armor front, 1 1/4" wide, square corner</b>
See price book for mortise deadbolt and other backset and latch options or armor front options	
<b>13</b>	<b>Strike</b>
<b>Cylindrical</b>	
<b>10-025</b>	<b>1 3/16" lip, ANSI, no box, 1 1/4" x 4 7/8"</b>
<b>Mortise</b>	
<b>10-072</b>	<b>1 3/16" lip, 1 1/4" x 4 7/8" square corner, box</b>
See price book for other available strikes	
<b>14</b>	<b>Door thickness</b>
<b>1 3/4"</b>	
Other thicknesses available between 1 3/8" and 2 3/4"	
See price book for detail	

## Lever styles

Conventional cylinders shown, SFIC and FSIC also available.



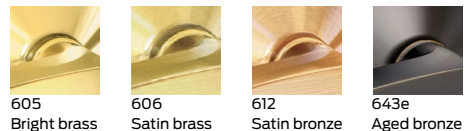
## About Allegion

Allegion (NYSE: ALLE) is a global pioneer in safety and security, with leading brands like CISA®, Interflex®, LCN®, Schlage®, SimonsVoss® and Von Duprin®. Focusing on security around the door and adjacent areas, Allegion produces a range of solutions for homes, businesses, schools and other institutions. Allegion is a \$2 billion company, with products sold in almost 130 countries. For more, visit [www.allegion.com](http://www.allegion.com).

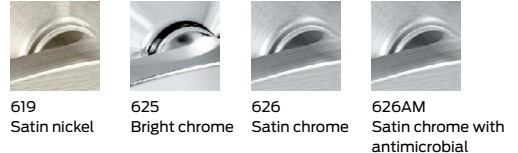
KRYPTONITE ■ LCN ■ SCHLAGE ■ STEELCRAFT ■ VON DUPRIN

## Finishes

Warm tone finishes



Cool tone finishes



Allegion, the Allegion logo, Falcon, Schlage, the Schlage logo, and Von Duprin are trademarks of Allegion plc, its subsidiaries and/or affiliates in the United States and other countries. All other trademarks are the property of their respective owners.



© 2020 Allegion  
004446, Rev. 09/20  
[www.allegion.com/us](http://www.allegion.com/us)



## AD-402

FIPS 201-2 integration  
ready networked wireless  
electronic lock



### Overview

AD Series electronic locks from Schlage® are designed to be modular and provide more options to choose from, more functionality in the lock and greater compatibility with existing systems. Its patented modular design allows the lock to be customized to fit the needs of an application now, and changed to meet future needs without removing it from the door.

AD-402 locks feature a multi-technology card and keypad reader (FMK) that is fully PIV and PIV-I capable for dual authentication to an external server. The open architecture software design of AD Series facilitates integration making AD-402 a desirable part of a Physical Access Control Software (PACS) provider's offering. Any completed PACS integrations that are tested and approved under HSPD-12 guidelines, can then be applied in U.S. Federal Agency Buildings.

Factory orderable options include choices of chassis type, network configurations, locking functions, power options, lever styles and finishes. It also offers a selection of features that can be configured in the field to customize your openings.

To simplify installation, the AD Series combines all the hardware components required at the door into one design that includes the electrified lock, credential reader, request-to-exit sensor, request-to-enter sensor, and both door position and tamper switches. The AD-402 has a number of features built in that are configurable in the field and a long list of items that can be monitored by access control software.

The AD-402 wireless networked lock gives you many of the key benefits of a hardwired access control system — without the wires. This allows you to secure doors that were traditionally difficult to run wires to in the past—and increase the security throughout your facility.

### Features and benefits

- PIV and PIV-I compatible
- Open architecture platform
- The PIM400-485 Panel Interface Module ensures seamless communication with your RS-485 system and can support up to 16 AD-402 devices
- Non-invasive installations for historic buildings and sensitive areas
- Secure encrypted data transmission
- Unique communication protocols that won't interfere with other wireless networks
- Patent-pending wireless feature that enables efficient centralized lockdown in less than 10 seconds while still optimizing battery life up to 2 years
- Available in cylindrical, mortise, mortise deadbolt and exit trim
- Compatible with major brands of master key systems
- ANSI/BHMA A156.25, ANSI/BHMA Grade 1, UL 294, UL10C, FCC Part 15, ADA, RoHS, Industry Canada (IC), FL12400<sup>1</sup>, FL1591<sup>1</sup>, FL13013<sup>1</sup> and FL14482<sup>1</sup>

<sup>1</sup> Applies to cylindrical and mortise chassis.

### CYBERSECURITY

Learn about Allegion's commitment

## Reliable communications

Secure and reliable wireless communication with the Panel Interface Module (PIM) is accomplished using 900 MHz frequency. 900 MHz band enables longer transmission ranges because signal propagation with longer wavelengths travel a greater distance and better penetrate typical building construction – allowing for simplified system design.

## Wake-Up on Radio

This feature enables implementation of wireless locks in applications where centralized lockdown or unlock is required. 'Wake Up on Radio' utilizes patent-pending technology to enable real-time activation at a remote battery-powered wireless lock. The technology is configurable from 10 to 1 second increments. When Wake-Up on Radio is used in critical applications Dynamic Channel Switching should also be enabled.

## Panel Interface Module (PIM400)

The PIM400 (sold separately) is required for communication between the AD-402 wireless lock and the access control panel, and can support up to 16 locks depending on your access control system.

## AD-402 electronic lock specifications

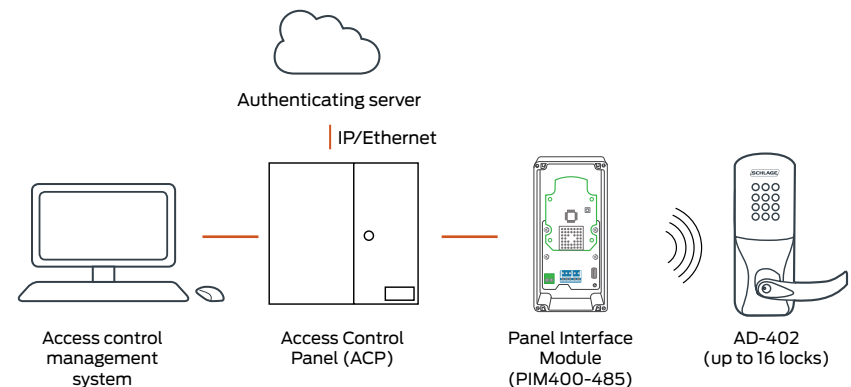
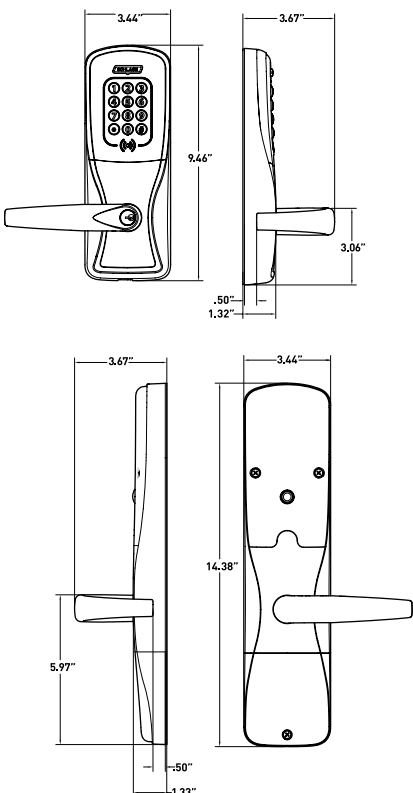
Modulation	900 MHz spread spectrum, direct sequence, 10 channels
Frequency range	902-928 MHz
Transmission/encryption	AES-128 bit key
Credential verification time	< 2 seconds in FASC-N mode: card certificate validated by the ACP only 2-6 seconds in full authentication mode: card certificate validated by 3rd party server
Wake-Up on Radio	Responds to lock/unlock command from host in less than 10 seconds in battery powered applications (per field configuration)
Communication range	Up to 200 ft with obstructions (normal building construction), up to 1000 ft clear line of sight
RF interference avoidance	Configurable dynamic channel switching
Data rate	RF: 40 kbps
Visual/audible communications	Tri-colored LED's and audible indicators (field configurable)
System interface	RS-485
Power supply	4AA, 8AA, 12 VDC or 24 VDC
Voltage range	4 VDC to 26 VDC
Max current requirement	Up to 250 mA
Battery life <sup>1</sup>	FASC-N mode: 18-24 months (4AA) Full authentication mode: 10-12 months (4AA)
Operating temperature/ exterior	-31° to 151°F (-35° to 66°C)
Operating temperature/ interior	32° to 120°F (0° to 49°C) (battery)
Operating humidity	0 - 100% non-condensing
Certifications	ANSI/BHMA A156.25, ANSI/BHMA Grade 1, UL 294, UL10 C, FCC Part 15, ADA, RoHS
Accessories	Panel Interface Module (PIM400), Handheld Device (HHD), SUS-A Cable with SUS Android mobile app

### Functions

- Classroom/storeroom<sup>2</sup>
- Office<sup>2</sup>
- Privacy
- Apartment

### Available status signals

- Lock/unlock status
- Request-to-exit
- Door position
- Mechanical key override
- Deadbolt position
- Interior push button
- Interior cover tamper guard
- Battery status
- Communication status
- Request-to-enter



<sup>1</sup> Battery life testing results based on an average 20 activations per day.

<sup>2</sup> Classroom/storeroom and office function not available with mortise deadbolt option.

## Mechanical specifications

Chassis	Cylindrical	Mortise	Exit trim
Handing	Handed to order, field reversible		
ANSI standard (Meets or exceeds)	A156.25 A156.2 Series 4000 Grade 1	A156.25 A156.13 Series 1000 Grade 1	A156.25 A156.3
Door thickness	1 3/4" standard, 1 3/8" to 2 3/4" optional (available in 1/8" increments)		
Backset	Standard: 2 3/4" Optional: 2 3/8", 3 3/4", 5"	2 3/4" only	Defined by exit device
Latch bolt	Standard: 1/2" throw Optional: 3/4" throw	Standard: 3/4" throw Optional: 1" throw on mortise deadbolt	Provided by exit device
Levers	Pressure cast zinc, plated		
Strike	Standard: 1 3/16" lip, ANSI, 1 1/4" x 4 7/8" Optional: Additional configurations available please see price book		Provided by exit device
Cylinder and keys	Schlage® 6-pin Everest 29 S123 keyway in a conventional cylinder with two patented keys standard. Additional options available including SFIC, FSIC and competitor brands. See lever and cylinder compatibility data sheet (010432).		

## FMK multi-technology reader specification

Credential technologies	125 kHz proximity and 13.56 MHz smart card
Standards	ISO standard 15693 and ISO 14443
Maximum read range	Up to 1.25" on 125 kHz proximity, up to 0.75" on 13.56 MHz smart card
Proximity credential use	<b>Compatibility:</b> Schlage, HID®, GE/CASI ProxLite®, AWID® and LenelProx® <b>Schlage credential style formats:</b> Clamshell, ISO card, ISO card with magnetic stripe, keyfob, thin keyfob, PVC disk
Smart credential use	<b>Secure sector compatibility:</b> Schlage MIFARE Classic®, Schlage MIFARE Plus®, Schlage MIFARE® DESFire® EV1 and EV2 with PACSA; PIV and PIV-I <sup>1</sup> <b>CSN only compatibility:</b> DESFire, HID iClass®, Inside Contactless Pico Tag®, MIFARE, MIFARE DESFire EV1 and EV2, ST Microelectronics®, Texas Instruments Tag-It®, Phillips I-Code® <b>Schlage credential style formats:</b> Clamshell, ISO card, ISO card with magnetic stripe, keyfob, thin keyfob, wearable wristband, PVC adhesive patch
Certifications/standards	FCC, Industry Canada (IC), UL 294 Listed, ISO standard 15693, and ISO standard 14443
Style/layout	12 button, 3x4 matrix backlit keypad

<sup>1</sup> 75 bit output format default. Configurable to other output formats.

## AD Series FMK reader module

The AD Series is an ideal solution for applications which require approval by the U.S. Federal Government under HSPD-12 for FIPS 201-2 compliance. It is possible to upgrade existing, non-compliant AD Series locks to the new standard as follows:

- Field upgrade AD Series locks not currently set up for FIPS 201-2 by replacing the reader module with a FIPS 201-2 PIV-I capable FMK reader (sold separately)
- Field upgrade AD Series FIPS 201-1 compliant locks with an FMK reader manufactured after August 2016 by uploading FIPS 201-2 compatible firmware (AD.A.121 or higher)

Both types of upgrades should only be performed by a PACS provider who has tested and been approved under HSPD-12 for AD Series integration.



### PIV-I capable

- The FMK reader is required on AD Series locks to achieve FIPS 201-2 compliance; It supports proximity cards and is PIV-I capable using 13.56 MHz smart card technologies

**+ KEYPAD**

## AD Series exit trim:

AD-402 exit trim is exclusively compatible with Von Duprin® 98/99 and 98/99XP (Rim, Mortise, and SVR. CVC and CVR on metal doors only), Von Duprin 22/22F (Rim and SVR) and Falcon® 25 (Rim) exit devices made by Allegion. The proper low current request-to-exit switch (RX-LC or AE) is required.

Part numbers for request-to-exit switch:

- Von Duprin: 050281
- Falcon: 650359



# Ordering information

Available through one of our GSA schedule 84 approved distributions; BAA options available

AD-402-CY-70-FMK-SPA-626-PD-S123-RH-4B-13-049-10-025-1 3/4

Series	Class	Chassis	Function	Reader	Lever style	Finish	Lever cylinder	Keying type	Handing	Battery	Backset & latch	Strike	Door thickness
1	2	3	4	5	6	7	8	9	10	11	12	13	14

Selections correspond with the numbers above

Standard options are indicated in bold. See price book for specific configuration options.

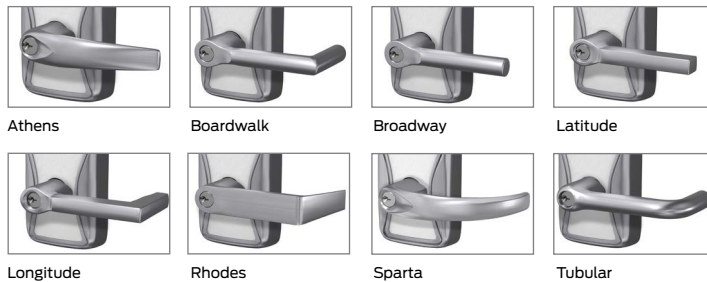
<b>3</b>	<b>Chassis</b>
CY	Cylindrical
MS	Mortise
MD	Mortise deadbolt
993R	Exit trim – Rim/CVC/CVR
993S	Exit trim – SVR
993M	Exit trim – mortise
993DT	Non-functioning dummy trim for exit
<b>4</b>	<b>Function</b>
70	Classroom/storeroom
50	Office
40	Privacy
60	Apartment
Lock function capabilities are determined by users access control system	
<b>5</b>	<b>Reader</b>
<b>FMK</b>	<b>FIPS 201-2 compatible multi-technology + keypad (125 kHz and 13.56 MHz)</b>
<b>6</b>	<b>Lever</b>
ATH	Athens
BRK	Boardwalk
BRW	Broadway
LAT	Latitude
LON	Longitude
RHO	Rhodes
SPA	Sparta
TLR	Tubular
Available with tactile warning options	

<b>7</b>	<b>Finish</b>
<b>626</b>	<b>Satin chrome</b>
605	Bright brass
606	Satin brass
612	Satin bronze
619	Satin nickel
625	Bright chrome
643e	Aged bronze
626AM	Satin chrome antimicrobial
<b>8</b>	<b>Lever cylinder type</b>
<b>PD</b>	<b>Schlage 6-pin Conventional key-in-lever cylinder</b>
See price book for other SFIC, FSIC and Less Cores options available. Compatible with Schlage®, Sargent®, Corbin Russwin, Medeco® and Yale®.	
<b>9</b>	<b>Keyway type</b>
<b>S123</b>	<b>Everest 29</b>
See price book for other available keyway options including master keying	
<b>10</b>	<b>Handing</b>
<b>RH</b>	<b>Right handed</b>
<b>LH</b>	<b>Left handed</b>
Field reversible	
<b>11</b>	<b>Battery</b>
<b>4B</b>	<b>4AA</b>
<b>8B</b>	<b>8AA</b>

<b>12</b>	<b>Backset &amp; latch or armor front</b>
<b>Cylindrical</b>	
<b>13-247</b>	<b>2 3/4" backset, deadlatch, square corner, 1 1/8" x 2 1/4"</b>
<b>Mortise</b>	
<b>09-663</b>	<b>Armor front, 1 1/4" wide, square corner</b>
See price book for mortise deadbolt and other backset and latch options or armor front options	
<b>13</b>	<b>Strike</b>
<b>Cylindrical</b>	
<b>10-025</b>	<b>1 3/16" lip, ANSI, no box, 1 1/4" x 4 7/8"</b>
<b>Mortise</b>	
<b>10-072</b>	<b>1 3/16" lip, 1 1/4" x 4 7/8" square corner, box</b>
See price book for other available strikes	
<b>14</b>	<b>Door thickness</b>
<b>1 3/4"</b>	
Other thicknesses available between 1 3/8" and 2 3/4"	
See price book for detail	

## Lever styles

Conventional cylinders shown, SFIC and FSIC also available.



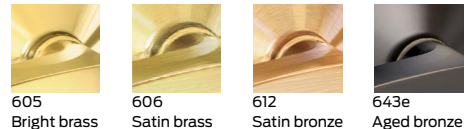
## About Allegion

Allegion (NYSE: ALLE) is a global pioneer in safety and security, with leading brands like CISA®, Interflex®, LCN®, Schlage®, SimonsVoss® and Von Duprin®. Focusing on security around the door and adjacent areas, Allegion produces a range of solutions for homes, businesses, schools and other institutions. Allegion is a \$2 billion company, with products sold in almost 130 countries. For more, visit [www.allegion.com](http://www.allegion.com).

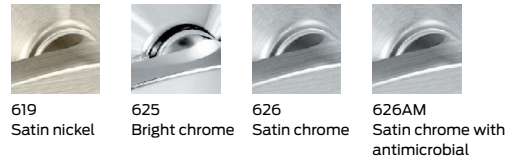
KRYPTONITE ■ LCN ■ SCHLAGE ■ STEELCRAFT ■ VON DUPRIN

## Finishes

Warm tone finishes



Cool tone finishes



Allegion, the Allegion logo, Falcon, Schlage, the Schlage logo, and Von Duprin are trademarks of Allegion plc, its subsidiaries and/or affiliates in the United States and other countries. All other trademarks are the property of their respective owners.



© 2020 Allegion  
004870, Rev. 9/20  
[www.allegion.com/us](http://www.allegion.com/us)





## AD-300

Networked hardwired  
electronic lock



### Overview

AD Series electronic locks from Schlage® are designed to be modular and provide more options to choose from, more functionality in the lock and more compatibility with existing systems. Its patent-pending modular design allows the lock to be customized to fit the needs of an application now, and changed to meet future needs without removing it from the door.

Factory orderable options include choices of credential readers, chassis type, network configurations, locking functions, lever styles and finishes. It also offers a wide selection of features that can be configured in the field to customize your openings.

To simplify installation, the AD Series combines all the hardware components required at the door for a complete access control system into one integrated design that includes the electrified lock, credential reader, request-to-exit and request-to-enter sensors, door position switch, tamper switch and more.

The AD-300 has a number of features built-in that are configurable in the field and a long list of items that can be monitored by access control software. Please consult one of our Physical Access Control Software (PACS) providers for details on the integration of specific features.

### Features and benefits

- Open architecture platform
- Panel interface options ensure seamless communication with your system
- Real-time communication between access control system and lock
- Field configurable fail safe/fail secure and other capabilities per code
- Available in cylindrical, mortise, mortise deadbolt and exit trim
- Compatible with major brands of master key systems
- A wide selection of credential readers and networking options to choose from
- Compatible with NFC mobile credentials on iOS and Android platforms<sup>1</sup>
- ANSI/BHMA A156.25, ANSI/BHMA Grade 1, UL 294, UL10C, FCC Part 15, ADA, RoHS, Industry Canada (IC), FL12400<sup>2</sup>, FL1591<sup>2</sup>, FL13013<sup>2</sup> and FL14482<sup>2</sup>

<sup>1</sup> Check with PACS provider for specific support of Mobile Student IDs in Apple Wallet and Google Pay  
<sup>2</sup> Applies to cylindrical and mortise chassis only

### CYBERSECURITY

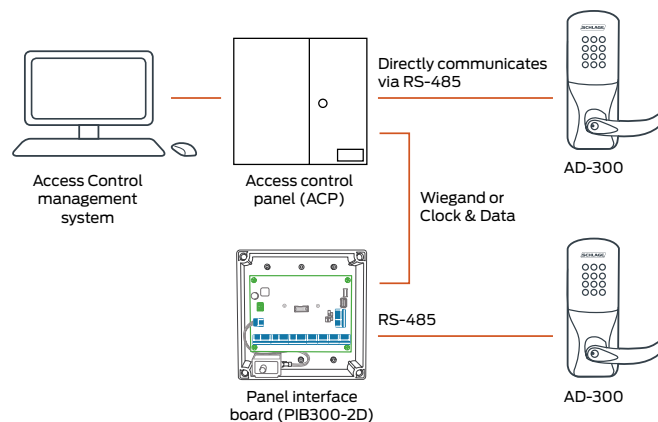
Learn about Allegion's commitment

## AD-300 electronic lock specifications

Credential verification time	< 1 second <sup>1</sup>
Data rate	RS-485 : 9.6 kbps
Visual/audible communications	Tri-colored LED's and audible indicators (field configurable)
System interface	Wiegand or Clock & Data via PIB300 or RS-485 directly
Power supply	12 VDC or 24 VDC
Voltage range	4 VDC to 26 VDC
Max current requirement	Up to 250 mA
Cable specifications for power	18AWG, 2 conductor (Belden 8760 or equivalent)
Cable distance for power	AD-300 to power supply: up to 1000 ft (303 m)
Cable specifications for data	24AWG, 2 or 4 conductor shielded (Belden 9841, 9842 or equivalent)
Cabling distance for data	AD-300 to PIB300 or ACP, RS-485: up to 4000 ft (1219 m)
Operating temperature	-31° to 151°F (-35° to 66°C)
Operating humidity	0 - 100% non-condensing
Certifications	ANSI/BHMA A156.25, ANSI/BHMA Grade 1, UL 294, UL10 C, FCC Part 15, ADA, RoHS
Accessories	Panel Interface Board (PIB300), SUS-A Cable used with SUS Android mobile app, Dry Contact Relay Board (RLBD) may be required for supervised inputs (Wiegand systems)

## PIB300-2D specifications

Communication range	PIB300 to lock, RS-485: up to 4000 ft (1219 m) PIB300 to ACP, Wiegand or Clock & Data: up to 500 ft (152 m)
Visual/audible	13 LEDs for status indicators
System interface	Wiegand or Clock & Data
Power supply	12 VDC or 24 VDC
Voltage range	9.5 VDC to 26 VDC
Max current requirement	Up to 250 mA
Operating temperature	-31° to 151°F (-35° to 66°C)
Dimensions (H x W x D)	7.1" x 7.1" x 3.0" (18.0 cm x 18.0 cm x 7.6 cm)
Weight	1.25 lb (.57 kg)
Cable specifications (PIB300 to ACP)	22AWG, 8 conductor shielded (Alpha 1298C or equivalent)
Certifications	NEMA 1, 4, 4X, 6; UL 294; FCC Part 15; RoHS



<sup>1</sup> Lock requires less than 100 msec, response time does not include latency time of ACP.

<sup>2</sup> Classroom/storeroom and office function not available with mortise deadbolt option.

<sup>3</sup> Consult your PACS provider for specific scope of support. Interior pushbutton, mechanical key override and deadbolt position are only available when linked via PIM400-485.

<sup>4</sup> Not available on exit trim.

<sup>5</sup> Software indicates lock/unlock status based on sequence of events, but cannot validate mechanical clutch position unless monitored on RS-485 connection.

## Functions

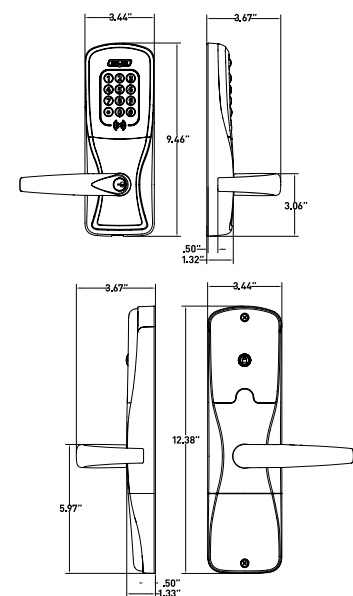
- Classroom/storeroom<sup>2</sup>
- Office<sup>2, 3, 4</sup>
- Privacy<sup>3, 4</sup>
- Apartment<sup>3, 4</sup>

## Available status signals

- Lock/unlock status<sup>5</sup>
- Request-to-exit
- Door position
- Mechanical key override<sup>3</sup>
- Deadbolt position<sup>3</sup>
- Interior cover tamper guard<sup>3</sup>
- Communication status<sup>3</sup>
- Interior push button<sup>3</sup>
- Request-to-enter<sup>3</sup>

## Panel Interface Board (PIB300-2D)

If the system requires Wiegand or Clock & Data protocol (rather than a direct RS-485 connection), the AD Series open architecture platform connects up to two AD-300 locks to the Panel Interface Board (PIB300 - sold separately, if required) that seamlessly connects to an access control panel or reader interface board. All monitoring is captured at the remote monitoring station.



## Mechanical specifications

Chassis	Cylindrical	Mortise	Exit trim
Handing	Handed to order, field reversible		
ANSI standard (Meets or exceeds)	A156.25 A156.2 Series 4000 Grade 1	A156.25 A156.13 Series 1000 Grade 1	A156.25 A156.3
Door thickness	1 3/4" standard, 1 3/8" to 2 3/4" optional (available in 1/8" increments)		
Backset	Standard: 2 3/4" Optional: 2 3/8", 3 3/4", 5"	2 3/4" only	Defined by exit device
Latch bolt	Standard: 1/2" throw Optional: 3/4" throw	Standard: 3/4" throw Optional: 1" throw on mortise deadbolt	Provided by exit device
Levers	Pressure cast zinc, plated		
Strike	Standard: 1 3/16" lip, ANSI, 1 1/4" x 4 7/8" Optional: Additional configurations available please see price book		Provided by exit device
Cylinder and keys	Schlage® 6-pin Everest 29 S123 keyway Conventional cylinder with two patented keys standard. Additional options available including SFIC, FSIC and competitor brands. See lever and cylinder compatibility data sheet (010432)		

## Multi-technology reader specification

Credential technologies	Proximity (125 kHz), Smart (13.56 MHz) and Near Field Communication (NFC)
Standards	Standards ISO standard 15693 and ISO 14443
Maximum read range	Proximity: up to 1.25" Smart: up to .75" NFC mobile: mobile device dependent
Proximity credential compatibility	<b>Compatibility:</b> Schlage, ISONAS™, HID®, GE/CASI ProxLite®, AWID® and LenelProx® <b>Schlage credential style formats:</b> Clamshell, ISO card, ISO card with magnetic stripe, keyfob, thin keyfob, PVC adhesive disk
Smart credential compatibility	<b>Secure sector compatibility:</b> Schlage MIFARE Classic®, Schlage MIFARE Plus®, Schlage MIFARE® DESFire® EV1 and EV2 with PACSA, PIV and PIV-1 <sup>2</sup> <b>CSN only compatibility:</b> DESFire, HID iClass®, Inside Contactless Pico Tag®, MIFARE, MIFARE DESFire EV1 and EV2, ST Microelectronics®, Texas Instruments Tag-It®, Phillips I-Code® <b>Schlage credential style formats:</b> Clamshell, ISO card, ISO card with magnetic stripe, keyfob, thin keyfob, wearable wristband, PVC adhesive patch
Mobile credential compatibility	NFC-enabled mobile devices <sup>3</sup>
Certifications/standards	FCC, Industry Canada (IC), UL 294 Listed, ISO standard 15693, and ISO standard 14443
Style/layout	Option for 12 button, 3x4 matrix backlit keypad

<sup>1</sup> FIPS 201-2 integration ready option available: The AD Series can be used in applications which require approval by the U.S. Federal Government under HSPD-12 for FIPS 201-2 compliance when installed as part of a tested and approved integrated solution. Please see the AD-402 data sheet or the AD-302 data sheet for complete details.

<sup>2</sup> 75 bit output format default. Configurable to other output formats.

<sup>3</sup> Check with PACS provider for specific support of Mobile Student IDs in Apple Wallet and Google Pay.

## Available AD Series reader modules



### Multi-technology

- Proximity
- Smart card
- NFC mobile

KEYPAD



### Multi-technology

- Proximity
- Smart card
- NFC mobile



### Smart – iClass compatible

- Smart card
- NFC mobile

KEYPAD



### Smart – iClass compatible

- Smart card
- NFC mobile



### Magnetic stripe (insertion)

- KEYPAD



### Magnetic stripe (insertion)



### Magnetic stripe (swipe)

- KEYPAD



### Magnetic stripe (swipe)



### Keypad

## AD Series exit trim:

AD-300 exit trim is exclusively compatible with Von Duprin® 98/99 and 98/99XP (Rim, Mortise, and SVR. CVC and CVR on Metal doors only), Von Duprin 22/22F (Rim and SVR) and Falcon® 25 (Rim) exit devices made by Allegion™. The proper low current request-to-exit switch (RX-LC or AE) is required.

Part numbers for request-to-exit switch:

- Von Duprin: 050281
- Falcon: 650359

## Benefits of AD Series multi-technology readers:

- Reads multiple brands of both proximity (125 kHz) and smart (13.56 MHz) technologies with single reader
- Compatible with NFC mobile credentials on iOS and Android platforms<sup>3</sup>
- Allows facility to migrate to more secure credential technologies over time and as budgets permit

## Additional readers

### Smart only – iClass compatible

- Reads secure sector of HID iClass, iClass SE, iClass SEOS, iClass Standard Key, and iClass Elite Key; Schlage MIFARE Classic, MIFARE Plus, and MIFARE DESFire EV1 and EV2
- Reads NFC mobile credential, Bluetooth mobile credential not supported
- Proximity not supported

### Magnetic stripe

- Available with choice of insertion or swipe style readers
- Triple track reader (1, 2 or 3), field configurable
- ABA, ISO76XX standard

### Keypad

- Backlit keypad
- 12 button, 3x4 matrix

# Ordering information

Available through one of our GSA schedule 84 approved distributions; BAA options available

AD-300-CY-70-MG-SPA-626-PD-S123-RH-13-049-10-025-1 3/4

Series	Class	Chassis	Function	Reader	Lever style	Finish	Lever cylinder	Keying type	Handing	Backset and latch	Strike	Door thickness
1	2	3	4	5	6	7	8	9	10	11	12	13

## Selections correspond with the numbers above

Standard options are indicated in bold. See price book for specific configuration options.

3	Chassis
CY	Cylindrical
MS	Mortise
MD	Mortise deadbolt
993R	Exit trim – Rim/CVC/CVR
993S	Exit trim – SVR
993M	Exit trim – mortise
993DT	Non-functioning dummy trim for exit
4	Function
70	Classroom/storeroom
50	Office
40	Privacy
60	Apartment

Lock function capabilities are determined by users access control system

5	Reader
<b>KP</b>	<b>Keypad</b>
MG	Magnetic stripe (insertion)
MGK	Magnetic stripe + keypad (insertion)
MS	Magnetic stripe (swipe)
MSK	Magnetic stripe + keypad (swipe)
MT	Multi-technology (125 kHz, 13.56 MHz, NFC)
MTK	Multi-technology + keypad (125 kHz, 13.56 MHz, NFC)
FMK	FIPS 201-2 compliant multi-technology + keypad (125 kHz and 13.56 MHz)
Si	Smart – iClass compatible
SiK	Smart – iClass compatible + keypad
DT	Dummy trim

6	Lever
ATH	Athens
BRK	Boardwalk
BRW	Broadway
LAT	Latitude
LON	Longitude
RHO	Rhodes
SPA	Sparta
TLR	Tubular

Available with tactile warning options

7	Finish
<b>626</b>	<b>Satin chrome</b>
605	Bright brass
606	Satin brass
612	Satin bronze
619	Satin nickel
625	Bright chrome
643e	Aged bronze
626AM	Satin chrome antimicrobial

8	Lever cylinder type
<b>PD</b>	<b>Schlage 6-pin Conventional key-in-lever cylinder</b>

See price book for other SFIC, FSIC and less cylinder options available. Compatible with Schlage®, Sargent®, Corbin Russwin, Medeco® and Yale®.

9	Keyway type
<b>S123</b>	<b>Everest 29</b>

See price book for other available keyway options including restricted keyways in Primus XP high security cylinders and master keying

10	Handing
<b>RH</b>	<b>Right handed</b>
LH	Left handed

Field reversible

11	Backset and latch or armor front
<b>Cylindrical</b>	
<b>13-247</b>	<b>2 3/4" backset, deadlatch, square corner, 1 1/8" x 2 1/4"</b>
<b>Mortise</b>	
<b>09-663</b>	<b>Armor front, 1 1/4" wide, square corner</b>

See price book for mortise deadbolt and other backset and latch options or armor front options

12	Strike
<b>Cylindrical</b>	
<b>10-025</b>	<b>1 3/16" lip, ANSI, no box, 1 1/4" x 4 7/8"</b>
<b>Mortise</b>	
<b>10-072</b>	<b>1 3/16" lip, 1 1/4" x 4 7/8" square corner, box</b>

See price book for other available strikes

13	Door thickness
<b>1 3/4"</b>	
Other thicknesses available between 1 3/8" and 2 3/4"	

See price book for detail

## Lever styles

Conventional cylinders shown, SFIC and FSIC also available.



## About Allegion

Allegion (NYSE: ALLE) is a global pioneer in safety and security, with leading brands like CISA®, Interflex®, LCN®, Schlage®, SimonsVoss® and Von Duprin®. Focusing on security around the door and adjacent areas, Allegion produces a range of solutions for homes, businesses, schools and other institutions. Allegion is a \$2 billion company, with products sold in almost 130 countries. For more, visit [www.allegion.com](http://www.allegion.com).

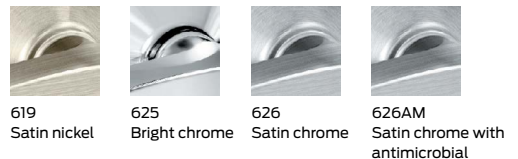
KRYPTONITE ■ LCN ■ SCHLAGE ■ STEELCRAFT ■ VON DUPRIN

## Finishes

Warm tone finishes



Cool tone finishes



Allegion, the Allegion logo, Falcon, Schlage, the Schlage logo, and Von Duprin are trademarks of Allegion plc, its subsidiaries and/or affiliates in the United States and other countries. All other trademarks are the property of their respective owners.



© 2020 Allegion  
004448, Rev. 9/20  
[www.allegion.com/us](http://www.allegion.com/us)



## AD-302

FIPS 201-2 integration  
ready networked hardwired  
electronic lock



### Overview

AD Series electronic locks from Schlage® are designed to be modular and provide more options to choose from, more functionality in the lock and greater compatibility with existing systems. Its patented modular design allows the lock to be customized to fit the needs of an application now, and changed to meet future needs without removing it from the door.

AD-302 locks feature a multi-technology card and keypad reader (FMK) that is fully PIV and PIV-I capable for dual authentication to an external server. The open architecture software design of AD Series facilitates integration making AD-302 a desirable part of a Physical Access Control Software (PACS) provider's offering. Any completed PACS integrations that are tested and approved under HSPD-12 guidelines, can then be applied in U.S. Federal Agency Buildings.

Factory orderable options include choices of chassis type, network configurations, locking functions, lever styles and finishes. It also offers a wide selection of features that can be configured in the field to customize your openings.

To simplify installation, the AD Series combines all the hardware components required at the door into one design that includes the electrified lock, credential reader, request-to-exit sensor, request-to-enter sensor, and both door position and tamper switches. The AD-302 has a number of features built in that are configurable in the field and a long list of items that can be monitored by access control software.

### Features and benefits

- PIV and PIV-I compatible
- Open architecture platform
- AD-302 locks can wire directly into the panel of integrated RS-485 access control software partners
- Real-time communication between access control system and lock
- Field configurable fail safe/fail secure and other capabilities per code
- Available in cylindrical, mortise, mortise deadbolt and exit trim
- Compatible with major brands of master key systems
- ANSI/BHMA A156.25, ANSI/BHMA Grade 1, UL 294, UL10C, FCC Part 15, ADA, RoHS, Industry Canada (IC), FL12400<sup>1</sup>, FL1591<sup>1</sup>, FL13013<sup>1</sup> and FL14482<sup>1</sup>

<sup>1</sup> Applies to cylindrical and mortise chassis only.

### **CYBERSECURITY**

Learn about Allegion's commitment

## AD-302 electronic lock specifications

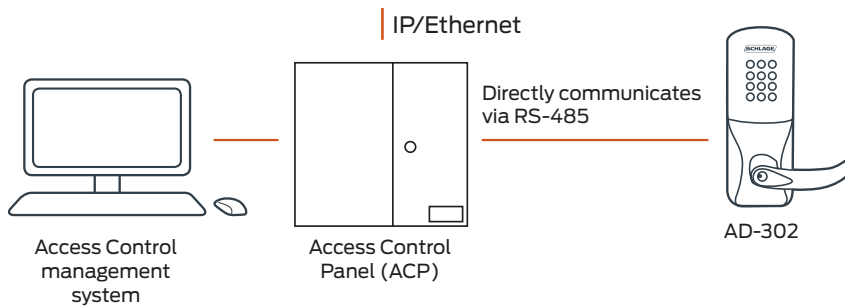
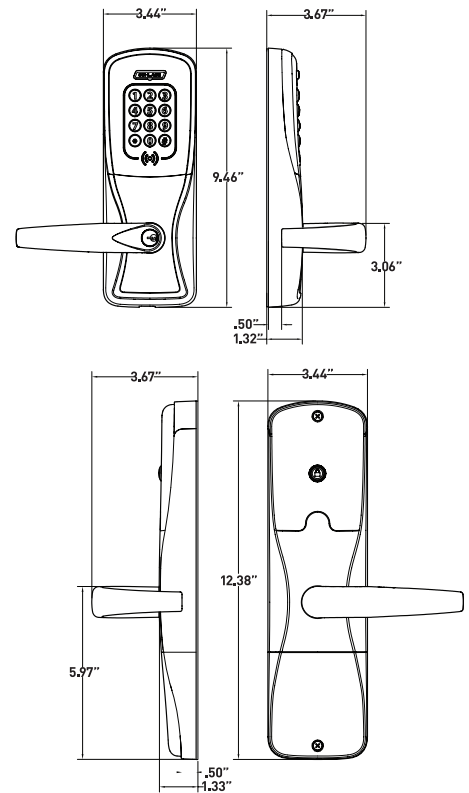
Credential verification time	< 2 seconds in FASC-N mode: card certificate validated by the ACP only 2-4 seconds in full authentication mode: card certificate validated by 3rd party server
Data rate	RS-485 : 9.6 kbps
Visual/audible communications	Tri-colored LED's and audible indicators (field configurable)
System interface	RS-485 directly
Power supply	12 VDC or 24 VDC
Voltage range	4 VDC to 26 VDC
Max current requirement	Up to 250 mA
Cable specifications for power	18AWG, 2 conductor (Belden 8760 or equivalent)
Cable distance for power	AD-302 to power supply: up to 1000 ft (303 m)
Cable specifications for data	24AWG, 2 or 4 conductor shielded (Belden 9841, 9842 or equivalent)
Cabling distance for data	AD-302 to ACP, RS-485: up to 4000 ft (1219 m)
Operating temperature	-31° to 151°F (-35° to 66°C)
Operating humidity	0 - 100% non-condensing
Certifications	ANSI/BHMA A156.25, ANSI/BHMA Grade 1, UL 294, UL10 C, FCC Part 15, ADA, RoHS
Accessories	Handheld Device (HHD), SUS-A Cable used with SUS Android mobile app

## Functions

- Classroom/storeroom<sup>1</sup>
- Office<sup>1</sup>
- Privacy
- Apartment

## Available status signals

- Lock/unlock status
- Request-to-exit
- Door position
- Mechanical key override
- Deadbolt position
- Interior cover tamper guard
- Communication status
- Interior push button
- Request-to-enter



<sup>1</sup> Classroom/storeroom and office function not available with mortise deadbolt option.



## Mechanical specifications

Chassis	Cylindrical	Mortise	Exit trim
Handing	Handed to order, field reversible		
ANSI standard (Meets or exceeds)	A156.25 A156.2 Series 4000 Grade 1	A156.25 A156.13 Series 1000 Grade 1	A156.25 A156.3
Door thickness	1 3/4" standard, 1 3/8" to 2 3/4" optional (available in 1/8" increments)		
Backset	Standard: 2 3/4" Optional: 2 3/8", 3 3/4", 5"	2 3/4" only	Defined by exit device
Latch bolt	Standard: 1/2" throw Optional: 3/4" throw	Standard: 3/4" throw Optional: 1" throw on mortise deadbolt	Provided by exit device
Levers	Pressure cast zinc, plated		
Strike	Standard: 1 3/16" lip, ANSI, 1 1/4" x 4 7/8" Optional: Additional configurations available please see price book		Provided by exit device
Cylinder and keys	Schlage® 6-pin Everest 29 S123 keyway in a conventional cylinder with two patented keys standard. Additional options available including SFIC, FSIC and competitor brands. See lever and cylinder compatibility data sheet (010432).		

## FMK multi-technology reader specification

Credential technologies	125 kHz proximity and 13.56 MHz smart card
Standards	Standards ISO standard 15693 and ISO 14443
Maximum read range	Up to 1.25" on 125 kHz proximity, up to 0.75" on 13.56 MHz smart card
Proximity credential use	<b>Compatibility:</b> Schlage, HID®, GE/CASI ProxLite®, AWID® and LenelProx® <b>Schlage credential style formats:</b> Clamshell, ISO card, ISO card with magnetic stripe, keyfob, thin keyfob, PVC adhesive disk
Smart credential use	<b>Secure sector compatibility:</b> Schlage MIFARE Classic®, Schlage MIFARE Plus®, Schlage MIFARE® DESFire® EV1 and EV2 with PACSA; PIV and PIV-I <sup>1</sup> <b>CSN only compatibility:</b> DESFire, HID iClass®, Inside Contactless Pico Tag®, MIFARE, MIFARE DESFire EV1 and EV2, ST Microelectronics®, Texas Instruments Tag-It®, Phillips I-Code® <b>Schlage credential style formats:</b> Clamshell, ISO card, ISO card with magnetic stripe, keyfob, thin keyfob, wearable wristband, PVC adhesive patch
Certifications/standards	FCC, Industry Canada (IC), UL 294 Listed, ISO standard 15693, and ISO standard 14443
Style/layout	12 button, 3x4 matrix backlit keypad

<sup>1</sup> 75 bit output format default. Configurable to other output formats.

## AD Series FMK reader module

The AD Series is an ideal solution for applications which require approval by the U.S. Federal Government under HSPD-12 for FIPS 201-2 compliance. It is possible to upgrade existing, non-compliant AD Series locks to the new standard as follows:

- Field upgrade AD Series locks not currently set up for FIPS 201-2 by replacing the reader module with a FIPS 201-2 PIV-I capable FMK reader (sold separately)
- Field upgrade AD Series FIPS 201-1 compliant locks with an FMK reader manufactured after August 2016 by uploading FIPS 201-2 compatible firmware (AD.A.121 or higher)

Both types of upgrades should only be performed by a PACS provider who has tested and been approved under HSPD-12 for AD Series integration.

## AD Series exit trim:

AD-302 exit trim is exclusively compatible with Von Duprin® 98/99 and 98/99XP (Rim, Mortise, and SVR. CVC and CVR on metal doors only), Von Duprin 22/22F (Rim and SVR) and Falcon® 25 (Rim) exit devices made by Allegion™. The proper low current request-to-exit switch (RX-LC or AE) is required.

Part numbers for request-to-exit switch:

- Von Duprin: 050281
- Falcon: 650359



### PIV-I capable

- The FMK reader is required on AD Series locks to achieve FIPS 201-2 compliance; It supports proximity cards and is PIV-I capable using 13.56 MHz smart card technologies

 KEYPAD



# Ordering information

Available through one of our GSA schedule 84 approved distributions; BAA options available

AD-302-CY-70-FMK-SPA-626-PD-S123-RH-13-049-10-025-1 3/4

Series	Class	Chassis	Function	Reader	Lever style	Finish	Lever cylinder	Keying type	Handing	Backset and latch	Strike	Door thickness
1	2	3	4	5	6	7	8	9	10	11	12	13

## Selections correspond with the numbers above

Standard options are indicated in bold. See price book for specific configuration options.

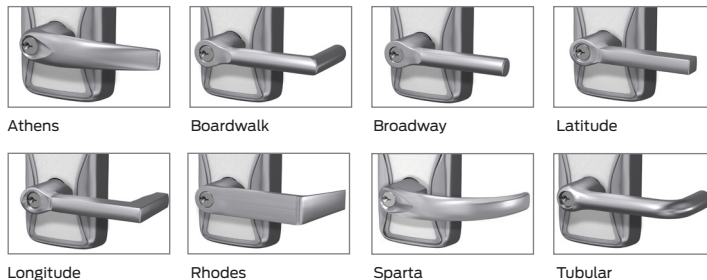
<b>3</b>	<b>Chassis</b>
CY	Cylindrical
MS	Mortise
MD	Mortise deadbolt
993R	Exit trim – Rim/CVC/CVR
993S	Exit trim – SVR
993M	Exit trim – mortise
993DT	Non-functioning dummy trim for exit
<b>4</b>	<b>Function</b>
70	Classroom/storeroom
50	Office
40	Privacy
60	Apartment
Lock function capabilities are determined by users access control system	
<b>5</b>	<b>Reader</b>
<b>FMK</b>	<b>FIPS 201-2 compatible multi-technology + keypad (125 kHz and 13.56 MHz)</b>
<b>6</b>	<b>Lever</b>
ATH	Athens
BRK	Boardwalk
BRW	Broadway
LAT	Latitude
LON	Longitude
RHO	Rhodes
SPA	Sparta
TLR	Tubular
Available with tactile warning options	

<b>7</b>	<b>Finish</b>
<b>626</b>	<b>Satin chrome</b>
605	Bright brass
606	Satin brass
612	Satin bronze
619	Satin nickel
625	Bright chrome
643e	Aged bronze
626AM	Satin chrome antimicrobial
<b>8</b>	<b>Lever cylinder type</b>
<b>PD</b>	<b>Schlage 6-pin Conventional key-in-lever cylinder</b>
See price book for other SFIC, FSIC and less cores options available. Compatible with Schlage®, Sargent®, Corbin Russwin, Medeco® and Yale®.	
<b>9</b>	<b>Keyway type</b>
<b>S123</b>	<b>Everest 29</b>
See price book for other available keyway options including master keying	
<b>10</b>	<b>Handing</b>
<b>RH</b>	<b>Right handed</b>
LH	Left handed
Field reversible	

<b>11</b>	<b>Backset and latch or armor front</b>
<b>Cylindrical</b>	
<b>13-247</b>	<b>2 3/4" backset, deadlatch, square corner, 1 1/8" x 2 1/4"</b>
<b>Mortise</b>	
<b>09-663</b>	<b>Armor front, 1 1/4" wide, square corner</b>
See price book for mortise deadbolt and other backset and latch options or armor front options	
<b>12</b>	<b>Strike</b>
<b>Cylindrical</b>	
<b>10-025</b>	<b>1 3/16" lip, ANSI, no box, 1 1/4" x 4 7/8"</b>
<b>Mortise</b>	
<b>10-072</b>	<b>1 3/16" lip, 1 1/4" x 4 7/8" square corner, box</b>
See price book for other available strikes	
<b>13</b>	<b>Door thickness</b>
<b>1 3/4"</b>	
Other thicknesses available between 1 3/8" and 2 3/4"	
See price book for detail	

## Lever styles

Conventional cylinders shown, SFIC and FSIC also available.



## About Allegion

Allegion (NYSE: ALLE) is a global pioneer in safety and security, with leading brands like CISA®, Interflex®, LCN®, Schlage®, SimonsVoss® and Von Duprin®. Focusing on security around the door and adjacent areas, Allegion produces a range of solutions for homes, businesses, schools and other institutions. Allegion is a \$2 billion company, with products sold in almost 130 countries. For more, visit [www.allegion.com](http://www.allegion.com).

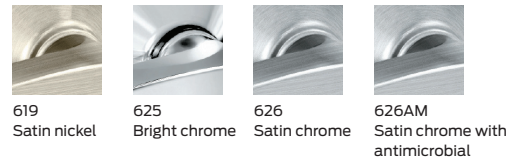
KRYPTONITE ■ LCN ■ **SCHLAGE** ■ STEELCRAFT ■ VON DUPRIN

## Finishes

Warm tone finishes



Cool tone finishes



Allegion, the Allegion logo, Falcon, Schlage, the Schlage logo, and Von Duprin are trademarks of Allegion plc, its subsidiaries and/or affiliates in the United States and other countries. All other trademarks are the property of their respective owners.



© 2020 Allegion  
004869, Rev. 9/20  
[www.allegion.com/us](http://www.allegion.com/us)



# AD Series

Exit trim compatibility



## Overview

The AD Series electronic lock is available in 993 Exit Trim for use on openings that require exit devices for either retrofit or new construction applications. Offline and networked solutions are available. The 993 Exit Trim was designed to suite with AD Series cylindrical and mortise locksets to ensure that the facility remains aesthetically consistent. The AD Series 993 Exit Trim utilizes universal hardware to simplify installation of offline trim to a variety of exit devices, including rim style from Von Duprin, Falcon, Sargent®, Precision™ Corbin Russwin, Dorma®, and Yale®.

### Available Exit Trim styles:

- 993R – Rim, concealed vertical cable or concealed vertical rod (CVC and CVR for metal doors only)
- 993S – Surface vertical rod
- 993M – Mortise

## Features and benefits

- Multiple credential reader options
- Offline and networked communication options
- A wide variety of finishes and lever styles
- Power options that include hardwired (12 VDC or 24 VDC) or batteries (4AA or 8AA)
- Compatible with all Schlage Conventional, FSIC and SFIC formatted cylinders including many competitive OEM cylinders such as, Sargent®, Corbin Russwin, Medeco® and Yale®

## Compatibility

Devices	AD-200/250	AD-300/AD-302 <sup>3</sup> AD-400/AD-402 <sup>3</sup>
Von Duprin 98/99 and 98/99XP rim/SVR/ CVR <sup>1</sup> /CVC <sup>1</sup> /mortise	X	X
Von Duprin 22/22F rim/SVR	X	X
Falcon 25 rim	X	X
Sargent® 80 <sup>2</sup> rim	X	
Precision™ 21 rim (2100 converts to 21 with Precision's BP21 kit)	X	
Yale® 7000 rim	X	
Corbin Russwin 5000 rim	X	
Dorma® 9300 rim	X	

<sup>1</sup> For metal doors only

<sup>2</sup> Narrow design and reversible rim exits not compatible.

<sup>3</sup> The proper low current request to exit switch (RX-LC) is required for AD-300/302 and AD-400/402. Part numbers for request to exit switch:

- Von Duprin: 050281
- Falcon: 650359

## Available AD Series reader modules<sup>2</sup>

- Multi-technology (125 kHz proximity and 13.56 MHz smart card)
- FIPS 201-2 compliant multi-technology (125 kHz proximity and 13.56 MHz smart card)
- Smart – iClass compatible
- NFC mobile enabled
- Magnetic stripe
- Keypad only
- All credential readers available + keypad

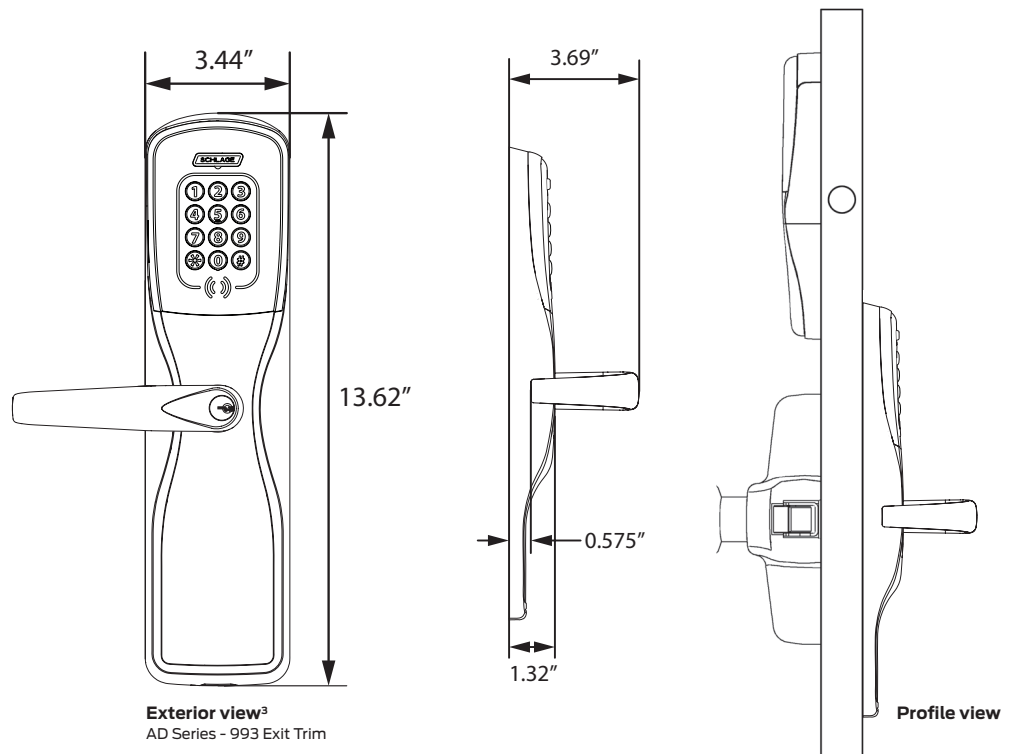
## Available communication options

- AD-400: Networked wireless locks
- AD-402: Networked wireless locks - FIPS 201-2 compliant
- AD-300: Networked hardwired locks
- AD-302: Networked hardwired locks - FIPS 201-2 compliant
- AD-250: Offline, access rights stored on the magnetic stripe credential
- AD-200: Offline, access rights stored on the lock

<sup>1</sup> AD-300/302 includes LED indicator

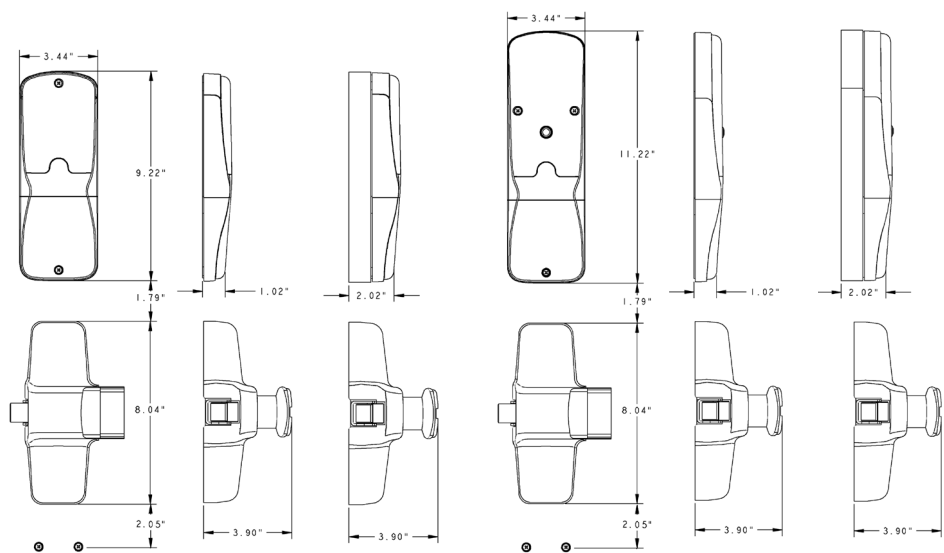
<sup>2</sup> Unlike other AD Series chassis styles, upgrading reader modules on the 993 Exit Trim requires the exterior escutcheon to be removed from the door

<sup>3</sup> (2) #7 fasteners with decorative washers located 11.88" below bottom edge of lock



**Exterior view<sup>3</sup>**  
AD Series - 993 Exit Trim

**Profile view**



**Interior view**  
AD-200/  
250/300\*/  
302¹ -  
all styles

**Side view**  
AD-200/250/  
300¹/302¹ -  
rim/CVR/CVC  
or mortise

**Side view**  
AD-200/250/  
300¹/302¹  
SVR

**Interior view**  
AD-400/402  
all styles

**Side view**  
AD-400/  
402 rim/CVR/CVC  
or mortise

**Side view**  
AD-400/  
402 SVR

Allegion, the Allegion logo, Schlage, the Schlage logo, Von Duprin, and Falcon are trademarks of Allegion plc, its subsidiaries and/or affiliates in the United States and other countries. All other trademarks are the property of their respective owners.

## About Allegion

Allegion (NYSE: ALLE) is a global pioneer in safety and security, with leading brands like CISA®, Interflex®, LCN®, Schlage®, SimonsVoss® and Von Duprin®. Focusing on security around the door and adjacent areas, Allegion produces a range of solutions for homes, businesses, schools and other institutions. Allegion is a \$2 billion company, with products sold in almost 130 countries. For more, visit [www.allegion.com](http://www.allegion.com).





# AD Series and CO Series

Lever and cylinder compatibility



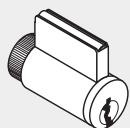
## Overview

AD Series and CO Series electronic locks come standard with the Schlage® 6-pin Everest 29™ S123 keyway and two patented keys. The Everest 29 keyway's patent-protected undercut design with protection through 2029 is available in open and restricted keyway families. Patented restricted keyways, such as the Everest 29 R and T families, deliver a higher level of security by requiring authorization to access blanks for duplication. Improve both administrative and physical security with the application of Primus XP cylinders and gain the option to also employ high security UL 437 cylinders. The new Everest 29 patent enables a key blank that is backwards compatible to legacy Everest keyways allowing Everest 29 keys to work with existing Everest systems aiding the key system migration process.

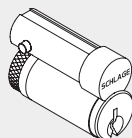
The AD Series and CO Series can also be ordered with other popular Schlage keyways or prepared to receive Falcon® Conventional key-in-lever cylinders or Small Format Interchangeable Core (SFIC) cylinders. Less cylinder options are available to provide compatibility with Conventional, FSIC or SFIC cylinders of other manufacturers including, Sargent®, Corbin Russwin®, Medeco® and Yale®

## Features and benefits

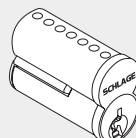
- Multiple credential reader options including keypad, proximity, magnetic stripe, multi-technology<sup>1</sup> and smart card<sup>1</sup>
- Wide variety of finishes and lever styles
- Cylindrical, mortise, mortise deadbolt and exit trim options available
- Compatible with all Schlage Conventional, FSIC and SFIC formatted cylinders including many competitive OEM cylinders
- AD and CO 993 exit trim is compatible with a variety of exit devices including rim style from Von Duprin, Falcon, Sargent®, Precision™, Corbin Russwin®, Dorma® and Yale®



Conventional  
key-in-lever  
PL  
L SAR L FA7



Full Size  
Interchangeable Core  
R J J SAR  
J CO6 J CO7 J MED  
J YA6 Y YA7



Small Format  
Interchangeable Core  
GB

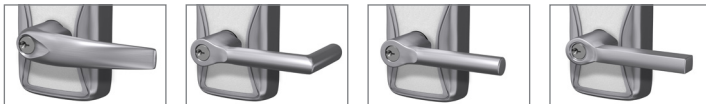
<sup>1</sup> Available on AD Series only.

## Lever and cylinder compatibility

Part number	Description	With cylinder	Pins	Cylinder type			Lever style							
				KIL	FSIC	SFIC	ATH	BRK	BRW	LAT	LON	RHO	SPA	TLR
P	Schlage® - Everest 29™ S123 (standard)	x	6	x			x	x	x	x	x		x	x
L	Schlage, Falcon®		6	x			x	x	x	x	x	x	x	x
R	Schlage - Everest 29 S123 (standard)	x	6		x		x	x	x	x	x	x	x	x
J	Schlage		6		x		x	x	x	x	x	x	x	x
G	Schlage Everest 29 R Family Keyways	x	7			x	x	x	x	x	x	x	x	x
B	Schlage, Falcon, Competitive OEM's		7			x	x	x	x	x	x	x	x	x
L FA7	Falcon		7	x				x	x	x	x	x	x	
L SAR	Sargent® (10L+11L)		6	x			x	x	x	x	x	x	x	x
J SAR	Sargent 6300		6		x		x	x	x	x	x	x	x	x
J CO6	Corbin® 8000		6		x		x	x	x	x	x	x	x	x
J CO7	Corbin 8000-7		7		x			x	x	x	x	x	x	x
J MED	Medeco® 32*0201		6		x			x	x	x	x	x	x	
J YA6	Yale® 1210 or Medeco 31*0100		6		x		x	x	x	x	x	x	x	x
J YA7	Yale 1220		7		x			x	x	x	x	x	x	

## Lever styles

Conventional cylinders shown, SFIC and FSIC also available.

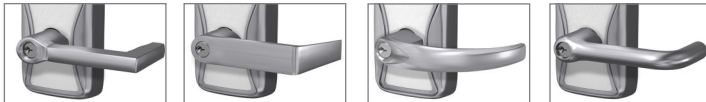


Athens

Boardwalk

Broadway

Latitude



Longitude

Rhodes

Sparta

Tubular

## Finishes

Warm tone finishes



605  
Bright brass

606  
Satin brass

612  
Satin bronze

643e  
Aged bronze

Cool tone finishes



619  
Satin nickel

625  
Bright chrome

626  
Satin chrome

626AM  
Satin chrome with  
antimicrobial

Allegion, the Allegion logo, Schlage, the Schlage logo, Von Duprin, Falcon and Everest 29 are trademarks of Allegion plc, its subsidiaries and/or affiliates in the United States and other countries. All other trademarks are the property of their respective owners.

## About Allegion

Allegion (NYSE: ALLE) is a global pioneer in safety and security, with leading brands like CISA®, Interflex®, LCN®, Schlage®, SimonsVoss® and Von Duprin®. Focusing on security around the door and adjacent areas, Allegion produces a range of solutions for homes, businesses, schools and other institutions. Allegion is a \$2 billion company, with products sold in almost 130 countries. For more, visit [www.allegion.com](http://www.allegion.com).

KRYPTONITE ■ LCN ■  ■ STEELCRAFT ■ VON DUPRIN



ALLEGION™

© 2020 Allegion  
010432, Rev. 09/20  
[www.allegion.com/us](http://www.allegion.com/us)



# PIM400-485

Panel Interface Module  
for RS-485 communication



## Overview

The PIM400-485 seamlessly integrates to select access control panels via RS-485, eliminating the need for reader interface modules. Each PIM400-485 supports up to 16 wireless access devices such as AD-400/401 locks.

### Reliability

Reliable communications result from several technological advances and incorporated features. 900 MHz spread spectrum technology enables high transmission power in a license-free band. Error detection algorithm maintains data integrity on each transmission, and redundant transmissions ensure communication success. Periodic “heartbeat” signals provide supervision and assure reliable RF communications are maintained. Lastly, dynamic channel switching (DCS) can be enabled to overcome harsh RF environments by automatically changing channels to avoid potential interference.

### Security

Used extensively by government and military organizations, spread spectrum technology provides significant security advantages over conventional transmission methods. Wireless access devices utilize spread spectrum transmissions, which are encrypted with AES 128-bit keys, to yield a system that is virtually uncompromisable. In addition, scalability is virtually unlimited as each AD-Series wireless access module has nearly a million addresses to choose from during the linking process.

### Centralized lock/unlock command in 10 seconds or less

Patent-pending Wake-Up on Radio (WOR) feature drives communication from the PIM400 to any or all linked wireless devices in 10 seconds or less. This innovative feature works efficiently in parallel with periodic “heartbeat”, to maintain up to 2 year battery life on wireless devices such as the AD-400/401 locks. Response rate can be field configured down to 1 second with consideration of battery life. When Wake-Up on Radio is used in critical applications, dynamic channel switching should also be enabled.

Allegion, the Allegion logo, Schlage, and the Schlage logo are trademarks of Allegion plc, its subsidiaries and/or affiliates in the United States and other countries. All other trademarks are the property of their respective owners.

## Features and benefits

- 900 MHz spread spectrum RF technology for long range, reliable communications
- Automatic linking to remote wireless access points with 10 channel frequencies to select from enables easy commissioning
- AES-128 bit encrypted spread spectrum transmissions
- 5 visual indicators to quickly pinpoint and display status
- Flash memory for easy firmware upgrades
- Certifications: NEMA 1, 4, 4X, 6; UL 294; FCC Part 15; RoHS; Industry Canada (IC)
- Redesigned with smaller footprint

## CYBERSECURITY

Learn about Allegion's commitment



## PIM400-485 specifications

Frequency range	902-928 MHz
Modulation	900 MHz spread spectrum, direct sequence, 10 channels
RF interference avoidance	Optional dynamic channel switching
Transmission/encryption	AES-128 bit key (optional)
Credential verification time	< 1 second <sup>1</sup>
Communication range	Up to 200 ft (61 m) with obstructions Up to 1000 ft (305 m) clear line of sight Up to 2000 ft (609 m) line of sight with high gain antenna on PIM400 Up to 4000 ft (1219 m) line of sight with high gain antennas on PIM400 and WRI400
Visual/audible communications	5 LEDs for status indicators
System interface	RS-485
Power supply	12 VDC or 24 VDC
Voltage range	9.5 VDC to 26 VDC
Max current requirement	Up to 250 mA
Operating temperature	-31° to 151°F (-35° to 66°C)
Operating humidity	0% to 100% non-condensing
Dimensions (H x W x D)	6.3" x 3.2" x 2.2" (16.0 cm x 8.13 cm x 5.59 cm)
Weight	1.25 lb (.56 kg)
Cable specifications	DC power Input: 18AWG, 2 conductor (Belden 8760 or equivalent) up to 1000 ft (305 m) PIM400-485 to ACP: 24AWG, 2 or 4 conductor shielded (Belden 9842, 9841 or equivalent) up to 4000 ft (1219 m)
Data rate	RF: 40 kbps; RS-485: 9.6 kbps
Certifications	NEMA 1, 4, 4X, 6; UL 294; FCC Part 15; Industry Canada (IC); RoHS

## Ordering information

- **PIM400-485** – Panel Interface Module with outdoor enclosure standard. Supports up to 16 access points via RS-485 with select brands of access control panels.

### Optional accessories

- **ANT400-REM-I/O** – Omni-directional remote indoor/ outdoor antenna module. Requires available grounding kit (MGB+MCA5) for outdoor installations
- **ANT400-REM-I/O+6dB** – Directional, flat panel, remote indoor/outdoor antenna with 6dB of gain. Requires available grounding kit (MGB+MCA5) for outdoor installations
- **MGB+MCA5** – Grounding kit for outdoor installations
- **ANT400-REM-CEILING** – Omni-directional ceiling mount indoor remote antenna
- **ANT400-REM-HALL** – Bi-directional indoor hall application remote antenna
- **SUS-A Cable** – for use with SUS mobile app on compatible Android devices
- **593PI-12DC** – 12 VDC power supply

<sup>1</sup> Dependant on latency time of access control panel.

## Additional features

### Reliable communications

900 MHz band enables longer transmission ranges. In general, signal propagation with longer wavelengths travel a greater distance and penetrate through, and around objects better than signals with shorter wavelengths.

### Online communications (heartbeat)

Regular communications between the AD-Series wireless access module and PIM400 monitor transmission presence and integrity. Online communications enable the PIM400 to download information or instructions such as unlock and relock.

### Auto addressing (linking)

One of the final steps in the installation process is called "linking". Linking ties a specific wireless access module to a selected PIM400 and assigns a unique address. There are over 65,000 unique addresses available per channel, providing nearly a million combinations for virtually unlimited scalability.

### Assured communications

A Packet-Error-Rate-Test (PERT) is performed during linking at reduced power levels to ensure reliable communication during operation.

### Encoded transmissions

Each RF transmission is encrypted with AES-128 bit keys to provide virtually uncompromisable security.

### Tamper

The PIM400 cover is monitored by an optical tamper switch.

### Visual indications

- Power on
- Microprocessor running
- Linking status
- PIM receiving RF data
- PIM transmitting RF data
- PIM receiving RS-485 data
- PIM transmitting RS-485 data
- PIM firmware version
- PIM tamper status

### Access point status available through

#### RS-485 connection

- Card and keypad data
- Door position
- Loss of RF communication
- Request-to-exit
- Request-to-enter
- Low battery
- PIM tamper
- Mechanical key override
- Deadbolt position
- Interior cover tamper guard
- Lock/unlock status
- Interior push button

### Configurable items from PIM400-485

- Wake-Up on Radio (WOR)
- Heartbeat frequency
- Relock parameters
- Card data format conversion
- Extended unlock
- Fail safe/fail secure/fail as-is
- Door held pre-alarm
- Cache memory parameters
- Dynamic channel switching (DCS)
- Reader configuration
- Keypad configuration
- Inside pushbutton configuration
- User interface configuration

## About Allegion

Allegion (NYSE: ALLE) is a global pioneer in safety and security, with leading brands like CISA®, Interflex®, LCN®, Schlage®, SimonsVoss® and Von Duprin®. Focusing on security around the door and adjacent areas, Allegion produces a range of solutions for homes, businesses, schools and other institutions. Allegion is a \$2 billion company, with products sold in almost 130 countries. For more, visit [www.allegion.com](http://www.allegion.com).

KRYPTONITE ■ LCN ■  ■ STEELCRAFT ■ VON DUPRIN



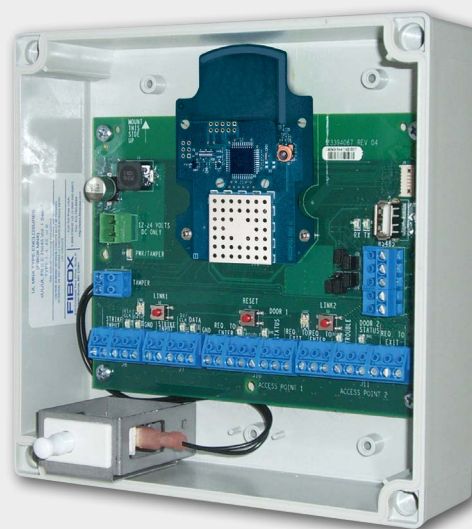
© 2020 Allegion  
004447, Rev. 09/20  
[www.allegion.com/us](http://www.allegion.com/us)





# PIM400-TD2

Panel Interface Module  
Wiegand or Clock & Data  
communication



## Overview

The PIM400-TD2 seamlessly integrates to virtually any access control panel and their reader interface modules via Wiegand or Clock & Data protocols. Each PIM400-TD2 supports up to two wireless access devices such as AD-400/401 Series locks.

### Reliability

Reliable communications result from several technological advances and incorporated features. 900 MHz spread spectrum technology enables high transmission power in a license-free band. Error detection algorithm maintains data integrity on each transmission and redundant transmissions ensure communication success. Periodic “heartbeat” signals provide supervision and assure reliable RF communications are maintained. Lastly, dynamic channel switching (DCS) can be enabled to overcome harsh RF environments by automatically changing channels to avoid potential interference.

### Security

Used extensively by government and military organizations, spread spectrum technology provides significant security advantages over conventional transmission methods. Wireless access devices utilize spread spectrum transmissions, which are encrypted with AES-128 bit keys, to yield a system that is virtually uncompromisable. In addition, scalability is virtually unlimited as each AD Series wireless access module has nearly a million addresses to choose from during the linking process.

### Centralized lock/unlock command in 10 seconds or less

Patent-pending Wake-Up on Radio (WOR) feature drives communication from the PIM400 to any or all linked wireless devices in 10 seconds or less. This innovative feature works efficiently in parallel with periodic “heartbeat” to maintain up to 2 year battery life on wireless devices such as the AD-400/401 locks. Response rate can be field configured down to 1 second with consideration of battery life. When Wake-Up on Radio is used in critical applications, dynamic channel switching should also be enabled.

Allegion, the Allegion logo, Schlage, and the Schlage logo are trademarks of Allegion plc, its subsidiaries and/or affiliates in the United States and other countries. All other trademarks are the property of their respective owners.

## Features and benefits

- 900 MHz spread spectrum RF technology for long range, reliable communications
- Supports up to two AD Series wireless devices
- Automatic linking to remote wireless access points with 10 channel frequencies to select from enables easy commissioning
- AES-128 bit encrypted spread spectrum transmissions
- 13 visual indicators to quickly verify operation and troubleshoot
- Flash memory for easy software upgrades
- Certifications: NEMA 1, 4, 4X, 6; UL 294; FCC Part 15; RoHS; Industry Canada (IC)

## CYBERSECURITY

Learn about Allegion's commitment

PIM400-TD2 specifications	
Frequency range	902-928 MHz
Modulation	900 MHz spread spectrum, direct sequence, 10 channels
RF interference avoidance	Optional dynamic channel switching
Transmission/encryption	AES-128 bit key (optional)
Credential verification time	< 1 second <sup>1</sup>
Communication range	Up to 200 ft (61 m) with obstructions Up to 1000 ft (305 m) clear line of sight Up to 2000 ft (609 m) line of sight with high gain antenna on PIM400 Up to 4000 ft (1219 m) line of sight with high gain antennas on PIM400 and WRI400
Visual/audible communications	13 LEDs for status indicators
System interface	Wiegand (data1/data0) or magnetic stripe (Clock & Data)
Power supply	12 VDC or 24 VDC
Voltage range	9.5 VDC to 26 VDC
Max current requirement	Up to 250 mA
Operating temperature	-31° to 151°F (-35° to 66°C)
Operating humidity	0 - 100% non-condensing
Dimensions (H x W x D)	7.1" x 7.1" x 3.0" (18.0 cm x 18.0 cm x 7.6 cm)
Weight	1.25 lb (.56 kg)
Cable specifications	DC power Input: 18AWG, 2 conductor (Belden 8760 or equivalent) up to 1000 ft (303 m) PIM400-TD2 to ACP: 22AWG, 8 conductor shielded (Alpha 1298C or equivalent) up to 500 ft (152 m)
Data rate	RF: 40 kbps
Certifications	NEMA 1, 4, 4X, 6; UL 294; FCC Part 15; RoHS; Industry Canada (IC)

## Ordering information

- **PIM400-TD2** – Panel Interface Module with outdoor enclosure standard. Supports up to two access points via Wiegand or Clock & Data with virtually any access control panel.

### Optional accessories

- **ANT400-REM-I/O** – Omni-directional remote indoor/outdoor antenna module. Requires available grounding kit (MGB+MCA5) for outdoor installations
- **ANT400-REM-I/O+6dB** – Directional, flat panel, remote indoor/outdoor antenna with 6dB of gain. Requires available grounding kit (MGB+MCA5) for outdoor installations
- **MGB+MCA5** – Grounding kit for outdoor installations
- **ANT400-REM-CEILING** – Omni-directional ceiling mount indoor remote antenna
- **ANT400-REM-HALL** – Bi-directional indoor hall application remote antenna
- **SUS-A Cable** – for use with SUS mobile app on compatible Android devices
- **593PI-12DC** – 12 VDC power supply

Available through one of our GSA schedule 84 approved distributors

<sup>1</sup> Dependant on latency time of access control panel.

## Additional features

### Reliable communications

900 MHz band enables longer transmission ranges. In general, signal propagation with longer wavelengths travel a greater distance and penetrate through, and around objects better than signals with shorter wavelengths.

### Online communications (heartbeat)

Regular communications between the AD Series wireless access module and PIM400 monitor transmission presence and integrity. Online communications enable the PIM400 to download information or instructions such as unlock and relock.

### Auto addressing (linking)

One of the final steps in the installation process is called "linking". Linking ties a specific wireless access module to a selected PIM400 and assigns a unique address. There are over 65,000 unique addresses available per channel, providing nearly a million combinations for virtually unlimited scalability.

### Assured communications

A packet-error-rate-test (PERT) is performed during linking at reduced power levels to ensure reliable communication during operation.

### Encoded transmissions

Each RF transmission is encrypted with AES-128 bit keys to provide virtually uncompromisable security.

### Tamper

The PIM400 cover is monitored by a tamper switch.

### Visual LED indications

- Power on
- Microprocessor running
- Linking status to WAPM
- PIM transmitting RF data
- PIM receiving RF data
- PIM receiving data
- PIM transmitting data
- Door position
- PIM tamper status
- PIM firmware version
- Wiegand and Clock & Data status 1 & 2
- Door status 1 & 2
- Trouble 1 & 2

### Standard open collector contacts

- Configurable for normally open or normally closed
- Door position
- Request-to-exit
- Request-to-enter
- Trouble

### Optional relay board (RLBD) to achieve dry contact

- Configurable for normally open or normally closed
- Door position
- Request-to-exit
- Request-to-enter
- Trouble

### Access point status available through PIM400-TD2

- Wiegand or magnetic stripe card data
- Door position
- Request-to-exit
- Request-to-enter (optional)
- Trouble
  - Loss of RF communication
  - Low battery
  - PIM tamper
  - Reader tamper

### Configurable items from PIM400-TD2

- Wake-Up on Radio (WOR)
- Heartbeat frequency
- Relock parameters
- Card data format conversion
- Extended unlock
- Fail safe/fail secure/fail as-is
- Door held pre-alarm
- Cache memory parameters
- Dynamic channel switching (DCS)
- Reader configuration
- Keypad configuration
- User interface configuration

## About Allegion

Allegion (NYSE: ALLE) is a global pioneer in safety and security, with leading brands like CISA®, Interflex®, LCN®, Schlage®, SimonsVoss® and Von Duprin®. Focusing on security around the door and adjacent areas, Allegion produces a range of solutions for homes, businesses, schools and other institutions. Allegion is a \$2 billion company, with products sold in almost 130 countries. For more, visit [www.allegion.com](http://www.allegion.com).

KRYPTONITE ■ LCN ■  ■ STEELCRAFT ■ VON DUPRIN



© 2020 Allegion  
004441, Rev. 09/20  
[www.allegion.com/us](http://www.allegion.com/us)



# PIM400-1501

16 door intelligent controller for AD Series wireless devices; powered by Mercury



MERCURY SECURITY

## Overview

The Schlage intelligent controller powered by Mercury is designed to provide a complete and cost effective IP addressable access control solution for up to 16 wireless AD Series devices. By combining the strength of the AD Series wireless PIM400 with customized functionality of the LPI501 intelligent controller from Mercury, this single device provides a compact solution that simplifies installation and cost of implementation.

The PIM400-1501 can extend a facility's access control to remote locations and can be centrally managed by an IP network connection. By having an IP connection you can easily hook on to the existing network without the need for additional wiring requirements such as RS232 or RS485 cables. By leveraging the full portfolio of Schlage Wireless devices including the AD-400 locksets, WPR400 portable readers, and WRI400 reader interfaces there is the ability to support a broad range of applications including traditional openings that may require electric strikes or wall mounted readers.

The PIM400-1501 is pre-wired with external RJ-45 and USB connections. To further simplify installation, the device can be Powered over Ethernet (PoE) or receive 12VDC supply.

Once configured, the PIM400-1501 functions independently of the host in the event network connectivity is lost. Thus, the PIM400-1501 can continue to manage access control to up to 16 wireless devices even when the network is disconnected. The intelligence of the PIM400-1501 extends beyond just its capacity for 240,000 cardholders and 50,000 audit events to include the ability to manage elaborate interdependencies among the devices.

## Features and benefits

- Standard IP addressable intelligent controller for up to 16 AD Series wireless devices.
- Decentralized system intelligence capable of managing up to 240,000 cardholders and 50,000 transactions in memory if temporarily disconnected from network
- PoE compliant to IEEE 802.3af
- Optional 12VDC external power supply to achieve UL294 Listing
- 900 MHz communication between PIM400-1501 and AD Series wireless devices for secure, AES-128 bit encrypted transmission
- Patent-pending wireless lockdown/unlock feature (10 seconds or less) preserves up to 2 year battery life in wireless device
- External RJ-45 and USB connectors for simplified installation and use
- Capable of managing a combination of AD-400, WPR400, and WRI400 devices for applications ranging from traditional doors to elevators and parking gates

## CYBERSECURITY

Learn about Allegion's commitment

## PIM400-1501 16 door intelligent controller

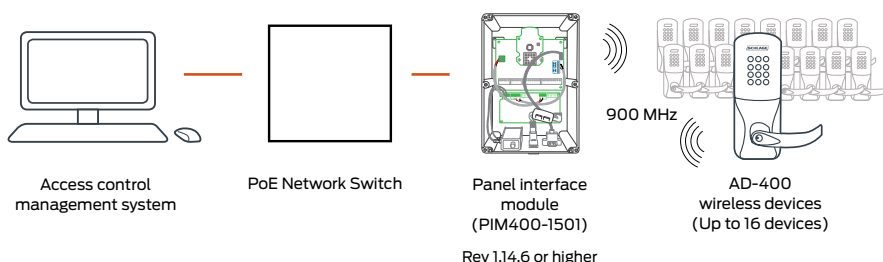
Modulation / encryption	900 MHz spread spectrum, direct sequence, 10 channels, AES-128 bit key
Frequency range	902-928 MHz
Credential verification time <sup>1</sup>	< 1 second <sup>1</sup>
Communication range	<ul style="list-style-type: none"> <li>▪ Up to 200 ft (61 m) indoor range, with normal building obstructions</li> <li>▪ Up to 1000 ft (305 m) clear line of sight</li> <li>▪ Up to 2000 ft (609 m) line of sight with high gain antenna on PIM400</li> <li>▪ Up to 4000 ft (1219 m) line of sight with high gain antennas on PIM400 -1501 and WRI400.</li> </ul>
RF interference avoidance	Configurable Dynamic Channel Switching
Operating temperature	32° F to 151° F, 0° C to 66° C
Humidity	10% to 95% relative humidity non-condensing
Power input	PoE, 12.95W compliant to IEEE 802.3af or 12VDC +- 10% 400mA max power supply
Communication to host	10 Base-T / 100Base-TX
Intelligent controller memory	240,000 cardholders, 50,000 transaction buffer 32 Access levels per cardholder Activation/deactivation dates
Dimensions	10.43" X 7.28" X 3.79" (26.49cm X 18.49 cm X 9.63 cm)
Weight	2.8 lbs.
Certifications	FCC Part 15, Industry Canada (IC), RoHS UL294 Listed <sup>2</sup> when connected to UL294 power supply

## Optional accessories

- **ANT400-REM-I/O** – Omni-directional remote indoor/ outdoor antenna module. Requires available grounding kit (MGB+MCA5) for outdoor installations
- **ANT400-REM-I/O+6dB** – Directional, flat panel, remote indoor/outdoor antenna with 6dB of gain. Requires available grounding kit (MGB+MCA5) for outdoor installations
- **MGB+MCA5** – Grounding kit for outdoor installations
- **ANT400-REM-CEILING** – Omni-directional ceiling mount indoor remote antenna
- **ANT400-REM-HALL** – Bi-directional indoor hall application remote antenna
- **SUS-A Cable** – for use with SUS mobile app on compatible Android devices
- **WPR400** – Wireless Portable Reader
- **WRI400** – Wireless Reader Interface
- **REPTR400** – Wireless Repeater



PIM400-1501 has RJ-45 and USB external connectors to make installation easy.



<sup>1</sup> Lock requires less than 100 msec, response time does not include latency time of ACP

<sup>2</sup> Confirm with your Physical Access Control Software (PACS) provider

Allegion, the Allegion logo, Schlage, and the Schlage logo are trademarks of Allegion plc, its subsidiaries and/or affiliates in the United States and other countries. All other trademarks are the property of their respective owners.

## About Allegion

Allegion (NYSE: ALLE) is a global pioneer in safety and security, with leading brands like CISA®, Interflex®, LCN®, Schlage®, SimonsVoss® and Von Duprin®. Focusing on security around the door and adjacent areas, Allegion produces a range of solutions for homes, businesses, schools and other institutions. Allegion is a \$2 billion company, with products sold in almost 130 countries. For more, visit [www.allegion.com](http://www.allegion.com).

KRYPTONITE ■ LCN ■ **SCHLAGE** ■ STEELCRAFT ■ VON DUPRIN



© 2020 Allegion  
005131, Rev. 09/20  
[www.allegion.com/us](http://www.allegion.com/us)



# TK400

## AD Series Wireless Test Kit



### Overview

The Schlage AD Series TK400 Wireless Test Kit can help you evaluate system design on new AD-400 wireless networked systems prior to installation. The TK400 can also be used to diagnose communication strength on existing AD-400 wireless applications. AD-400 locks and devices including the Wireless Reader Interface (WRI400), and Wireless Portable Reader (WPR400) communicate via 900 MHz frequency to the Panel Interface Module (PIM400); the PIM400 is required for communication between the AD-400 devices and the access control panel.

The TK400 Wireless Test Kit contains a Wireless Portable Signal Tester (WPR400-DT), a Panel Interface Module (PIM400-TD2), a PIM400 power supply, 8 AA alkaline batteries, and a convenient carrying case. The WPR400-DT operates on batteries, making it convenient and easy to maintain on job sites.

The Wireless Portable Signal Tester (WPR400-DT) is used to communicate to the PIM400 as an access control module. LED lights provide intuitive feedback about the quality of the signal.

The communication range of the AD-400 to the PIM400 is up to 200 feet with normal building construction and up to 1000 feet with clear line of sight. The TK400 can be used to determine the proper location of each Panel Interface Module (PIM) to optimize system design. When installed properly, an AD-400 wireless solution is an extremely reliable and cost effective alternative to a hardwired networked system.

### Features and benefits

- Allows you to test the range of 900 MHz signals between AD-400 devices and PIM400 to ensure proper location prior to installation of complete system.
- Can be used to test existing installations for signal strength
- LED light feedback for signal strength communication; green for strong connection, red for weak connection
- Kit comes complete with:
  - Wireless portable signal tester (WPR400-DT)
  - Panel Interface Module (PIM400-TD2)
  - Power supply for PIM400-TD2
  - 8 AA off-the-shelf batteries
  - Carrying case
- WPR400-DT certifications: FCC Part 15, Industry Canada (IC), RoHS
- PIM400-TD2 certifications: NEMA 1, 4, 4X, 6; UL 294, FCC Part 15, Industry Canada (IC), RoHS

### CYBERSECURITY

Learn about Allegion's commitment

---

## Wireless portable signal tester

---

Frequency range	902-928 MHz
Modulation	900 MHz spread spectrum, direct sequence, 10 channels
Communication	Up to 200 ft with obstructions (normal building); up to 1000 ft clear line of sight
Operating temperature	0°C (32°F) to 49°C (120°F)
Humidity	0% to 100% non-condensing
Battery type	8AA alkaline batteries
Dimensions (H x W x D)	2.375" x 5.0" x 6.25" (6.03 cm x 12.7 cm x 15.88 cm)
Certifications	<ul style="list-style-type: none"><li>▪ FCC Part 15</li><li>▪ Industry Canada (IC)</li><li>▪ RoHS</li></ul>

---

### Visual LED indications

- Wireless signal quality
- Low battery

---

## PIM400-TD2

---

Frequency range	902-928 MHz
Modulation	900 MHz spread spectrum, direct sequence, 10 channels
Communication	Up to 200 ft with obstructions (normal building); up to 1000 ft clear line of sight
Operating temperature	-31° to 151°F (-35° to 66°C)
Humidity	0% to 100% condensing
Power supply	12 VDC or 24VDC (12 VDC power supply included)
Dimensions (H x W x D)	7.1" x 7.1" x 3.0" (18.0 cm x 18.0 cm x 7.6 cm)
Weight	1.25 lb (.56 kg)
Certifications	<ul style="list-style-type: none"><li>▪ NEMA 1, 4, 4X, 6</li><li>▪ UL 294</li><li>▪ FCC Part 15</li><li>▪ Industry Canada (IC)</li><li>▪ RoHS</li></ul>

---

### Visual LED indications

- Power on
- Linking status to AD-400 devices
- PIM transmitting/receiving RF data

Available through one of our GSA schedule 84 approved distributors

Allegion, the Allegion logo, Schlage, and the Schlage logo are trademarks of Allegion plc, its subsidiaries and/or affiliates in the United States and other countries. All other trademarks are the property of their respective owners.

## About Allegion

Allegion (NYSE: ALLE) is a global pioneer in safety and security, with leading brands like CISA®, Interflex®, LCN®, Schlage®, SimonsVoss® and Von Duprin®. Focusing on security around the door and adjacent areas, Allegion produces a range of solutions for homes, businesses, schools and other institutions. Allegion is a \$2 billion company, with products sold in almost 130 countries. For more, visit [www.allegion.com](http://www.allegion.com).

KRYPTONITE ■ LCN ■  ■ STEELCRAFT ■ VON DUPRIN



© 2020 Allegion  
004094, Rev. 03/20  
[www.allegion.com/us](http://www.allegion.com/us)





# WPR400

## AD Series Wireless Portable Reader



### Overview

The Schlage® AD Series Wireless Portable Reader (WPR400) was designed to extend a facility's access control to remote locations, at a moment's notice.

The WPR400 is a portable device that utilizes the same credential reader module as an AD Series electronic lock. The WPR400 can be held by hand or placed in a convenient temporary location to allow for credential verification. Whether it is at a temporary check point or bus load registration, the WPR400 will provide simple, intuitive feedback to the user if the credential being presented is valid or invalid via real time connectivity to the access control system.

The WPR400, as well as other AD-400 locks and devices, communicate via 900 MHz frequency to the Panel Interface Module (PIM400); the PIM400 is required for communication between the AD-400 devices and the access control panel.

The WPR400 was designed to be intuitive to use and easy to set up, which is critical in situations where there is a need for remote credential verification. At power-on and within range, the WPR400 is ready to accept its first credential within moments of powering up and reconnecting to the previously paired PIM400. After the credential has been authenticated by the access control system, the WPR400 provides intuitive LED light feedback.

The WPR400 also has the ability to be configured to cache mode. When enabled, the WPR400 keeps a local database of valid access grants. Upon moving the WPR400 to an offline location away from the PIM400, credentials can be verified for the last 1000 valid users.

Finally, the WPR400 can be manually configured to operate as a wireless portable tester. In Wireless Test Mode, the device can be used to evaluate the location of PIM400s and AD-400 devices within a specific environment, or the existing reader module can remain installed on the WPR400.

### Features and benefits

- Fully compatible with Schlage AD Series credential reader modules & Panel Interface Modules
- Reader options include multi-technology (reads both 13.56 MHz smart card and 125 kHz proximity), iClass compatible, magnetic stripe and keypad
- Card reader options available with keypad for multi-factor authentication
- Cache mode option for offline applications
- Field configurable to work as a wireless portable signal tester
- Configured with the SUS Android mobile app and SUS-A Cable
- LED indicators communicate valid (green) and invalid (red) credential status
- Communicates to access control system via PIM400
- FCC Part 15, Industry Canada (IC), RoHS
- Comes with 8 AA off-the-shelf batteries

<sup>1</sup> Refer to the Schlage/aptiQ mobile credential compatibility chart for a list of certified devices.

### CYBERSECURITY

Learn about Allegion's commitment



## Wireless portable reader specifications

Modulation / encryption	900 MHz spread spectrum, direct sequence, 10 channels AES-128 bit key
Frequency range	902-928 MHz
Credential verification time <sup>1</sup>	< 1 second <sup>1</sup>
Communication range	Up to 200 ft with obstructions (normal building); up to 1000 ft clear line of sight
RF interference avoidance	Configurable dynamic channel switching
Data rate	40 kbps
Operating temperature	0°C (32°F) to 49°C (120°F)
Humidity	0% to 100% non-condensing
Battery type	8AA alkaline batteries
Battery life	Up to 2 years at 40,000 card reads or PIN codes per year
Dimensions (H x W x D, less reader)	3.375" x 5.0" x 6.25" (8.57 cm x 12.7 cm 15.88 cm)
Weight (less reader)	1.5 lb (0.68 kg)
Certifications	FCC Part 15, Industry Canada (IC), RoHS
Additional accessories	Panel Interface Module (PIM400), SUS-A Cable used with SUS mobile app on compatible Android devices

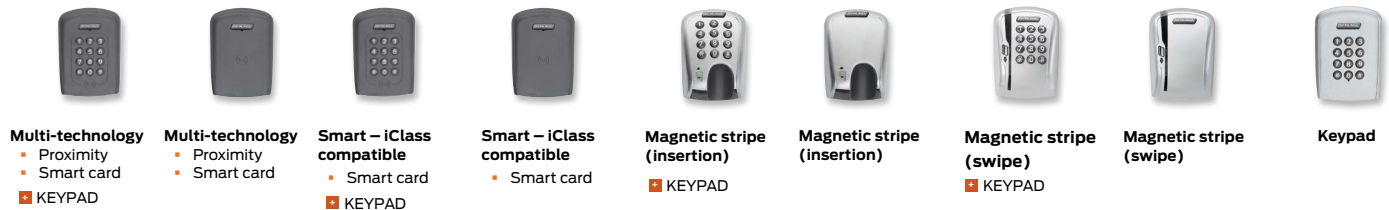
### Included with WPR400

- AD Series credential reader module specified at ordering

### Modes of operation

- Reader mode (default)
- Wireless test mode (field configurable)

### Available AD Series reader modules<sup>2</sup>



Available through one of our GSA schedule 84 approved distributors

<sup>1</sup> WPR requires less than 100 msec, response time does not include latency time of ACP

<sup>2</sup> Dummy trim reader module also available. Please see AD Series data sheets for more details on credential reader modules.

Allegion, the Allegion logo, aptiQ, Schlage and the Schlage logo are trademarks of Allegion plc, its subsidiaries and/or affiliates in the United States and other countries. All other trademarks are the property of their respective owners.

## About Allegion

Allegion (NYSE: ALLE) is a global pioneer in safety and security, with leading brands like CISA®, Interflex®, LCN®, Schlage®, SimonsVoss® and Von Duprin®. Focusing on security around the door and adjacent areas, Allegion produces a range of solutions for homes, businesses, schools and other institutions. Allegion is a \$2 billion company, with products sold in almost 130 countries. For more, visit [www.allegion.com](http://www.allegion.com).

KRYPTONITE ■ LCN ■  ■ STEELCRAFT ■ VON DUPRIN

## Reliability

Secure and reliable wireless communication with the Panel Interface Module (PIM400) is accomplished using 900 MHz frequency. 900 MHz band enables longer transmission ranges because signal propagation with longer wavelengths travels a greater distance and better penetrates typical building construction – allowing for simplified system design.

## Panel Interface Module (PIM400)

The PIM400 (sold separately) is required for communication between the WPR400/402 and the access control panel, and can support up to 16 AD-400 devices depending on your access control system.

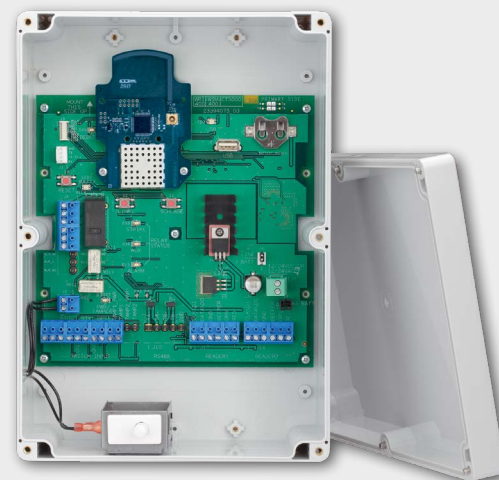


© 2020 Allegion  
004096, Rev. 09/20  
[www.allegion.com/us](http://www.allegion.com/us)



# WRI400

## Wireless Reader Interface



### Overview

The WRI400 is a networked access point controller designed to provide wireless connectivity to traditional electronic access control components including credential readers, door position and request-to-exit switches.

The WRI400 Wireless Reader Interface provides local termination points for your wall or mullion mounted reader, door position switch, request-to-exit (RX) and reader tamper. The WRI400 communicates data via 900 MHz back to either a PIM400-485 or PIM400-TD2 which are hardwired to the Access Control Panel (ACP) where all access and specific reporting decisions are made and recorded.

The WRI400 is designed to be compatible with most of the popular Wiegand or Clock & Data format readers that exist in the market today. Utilizing the two form C relays on board expands the capability at the door to control electronic locking hardware as well as other devices such as automatic operators.

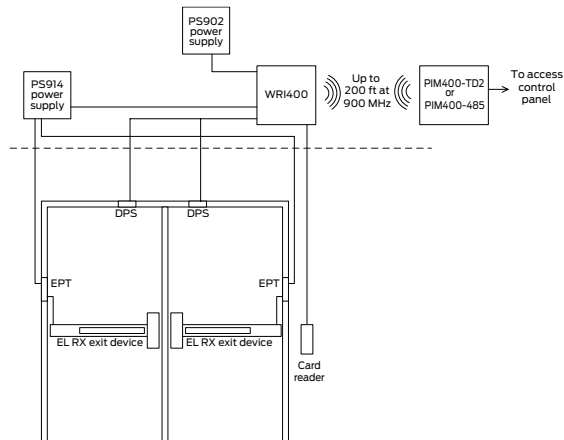
The WRI400 allows you to extend the reach of your access control system to openings that are hard to reach with network wiring. Ideal applications include remote doors, historic buildings, gates and elevators. Since the WRI400 is built on an open architecture platform it is designed for seamless integration with most access control systems.

### Features and benefits

- Visual LED indications – WRI400 cover is monitored by a tamper switch
- Encryption – Each RF transmission is encrypted with AES-128 bit keys
- Reader interfaces support:
  - Wiegand (data1/data0) up to 255 bits
  - Magnetic stripe (Clock & Data) up to 255 bits
- Form C relay outputs:
  - Strike relay
  - Auxiliary output relay
- Signal inputs:
  - Request-to-enter
  - Request-to-exit
  - Door position switch
  - Reader tamper 1
  - Reader tamper 2
- Certification: NEMA 1, 4, 4X, 6; UL 294, FCC Part 15; Industry Canada (IC), RoHS

## WRI400 specifications

Frequency range	902-928 MHz	
Modulation	900 MHz spread spectrum, direct sequence, 10 channels	
RF interference avoidance	Optional dynamic channel switching	
Transmission/encryption	AES-128 bit key (optional)	
Data rate	RF: 40 kbps	
Credential verification time*	< 1 second <sup>1</sup>	
Communication range	Up to 200 ft (61 m) normal building construction Up to 1000 ft (305 m) clear line of sight (See ANT400-REM data sheet for increasing distance)	
Power supply requirements	12 VDC or 24 VDC; 500 mA maximum current	
Connector cable specifications	DC power input	18AWG, 2 conductor (Belden 8760 or equivalent) up to 1000 ft (305 m)
	Credential readers (x2)	Data signals: 22AWG, 6 conductor (Alpha 1296C or equivalent) up to 500 feet (152 meters) Reader tamper signals: 18AWG, twisted pair shielded (Belden 8760 or equivalent) up to up to 500 feet (152 meters)
	Strike/aux relay outputs	18AWG, 2 conductor (Belden 8760 or equivalent) up to 2000 feet (610 meters)
	Request-to-enter and -exit inputs	18AWG, 2 conductor (Belden 8760 or equivalent) up to 2000 feet (610 meters)
Relay output tolerances	Strike output relay	Form C relay; 6 amps at 24 VDC or 6 amps at 120 VAC or 3 amps at 240 VAC
	Auxiliary output relay	Form C relay; 2 amps at 24 VDC or 0.5 amps at 120 VAC
Operating temperature	-31°F (-35°C) to 151°F (66°C)	
Operating humidity	0 - 100% condensing	
Dimensions (H x W x D)	10.43" x 7.28" x 3.79" (26.49 cm x 18.49 cm x 9.63 cm)	
Certifications	NEMA 1, 4, 4X, 6; UL 294; FCC Part 15; Industry Canada (IC); RoHS	



### Remote door application

- For hard to reach openings, the WRI400 can extend your access control system saving you time and money by reducing wiring to the door from the panel.

<sup>1</sup> WRI requires less than 100 msec, response time does not include latency time of ACP.

## Additional features

### Reliable communications

900 MHz band enables longer transmission ranges. In general, signal propagation with longer wavelengths travel a greater distance and penetrate through, and around objects better than signals with shorter wavelengths.

### Online communications (heartbeat)

Regular communications between the WRI400 and PIM400 monitor transmission presence and integrity. Online communications enable the WRI400 to download information or instructions such as unlock and relock.

## Optional accessories

- ANT400-REM-I/O** – Omni-directional remote indoor/ outdoor antenna module. Requires available grounding kit (MGB+MCA5) for outdoor installations
- ANT400-REM-I/O+6DB** – Directional, flat panel, remote indoor/outdoor antenna with 6DB of gain. Requires available grounding kit (MGB+MCA5) for outdoor installations
- MGB+MCA5** – Grounding kit for outdoor installations
- ANT400-REM-CEILING** – Omni-directional ceiling mount indoor remote antenna
- ANT400-REM-HALL** – Bi-directional indoor hall application remote antenna
- HH Kit-USB** – Handheld device with SUS installed and HH-USB cable
- 593PI-12DC** – 12 VDC power supply

Available through one of our GSA schedule 84 approved distributors

## About Allegion

Allegion (NYSE: ALLE) is a global pioneer in safety and security, with leading brands like CISA®, Interflex®, LCN®, Schlage®, SimonsVoss® and Von Duprin®. Focusing on security around the door and adjacent areas, Allegion produces a range of solutions for homes, businesses, schools and other institutions. Allegion is a \$2 billion company, with products sold in almost 130 countries. For more, visit [www.allegion.com](http://www.allegion.com).

KRYPTONITE ■ LCN ■  ■ STEELCRAFT ■ VON DUPRIN



© 2020 Allegion  
004014, Rev. 03/20  
[www.allegion.com/us](http://www.allegion.com/us)



# GCK400 & ECK400

Wireless Gate Control Kits  
and Elevator Control Kits



## Overview

The Gate Control Kit (GCK400) and the Elevator Control Kit (ECK400) complement and expand the AD Series platform by bringing wireless access control to applications that are difficult to reach with a traditional wired approach.

The GCK400 and the ECK400 are kits comprised of the Wireless Reader Interface (WRI400), the Panel Interface Module (PIM400-TD2), a Remote Antenna (ANT-REM I/O) and a power supply (593PI-12DC). The GCK400 kit also includes an antenna grounding kit (MGB+MCA5).

The Wireless Reader Interface (WRI400) is compatible with most popular Wiegand or Clock & Data format credential readers on the market today. The WRI400 communicates via 900MHz to the PIM400-TD2 within a range of up to 1000 feet with a clear line of sight. The PIM400-TD2 is hardwired to the access control panel where decisions are validated and recorded.

The GCK400 kit can eliminate the need for trenching in gate applications, driving a significant reduction of installation time and cost. The gate kit is ideal for parking lots, airports, military bases and garages. Roadways, parking lots and landscape are left intact since the need to run wires underground is eliminated.

The ECK400 eliminate the need for traveling cables to elevator applications simplifying installation. Access control can be applied to elevators at a much faster rate, reducing downtime and disruption within the facility.

## Features and benefits

- Real time access control
- Reduced installation time
- Eliminates trenching of communication lines
- Eliminates traveling cables in elevators
- Two paralleled reader inputs
- Supports all Wiegand (data1/data0) and magnetic stripe (clock/data) reader technologies

## GCK400/ECK400 Kit contents

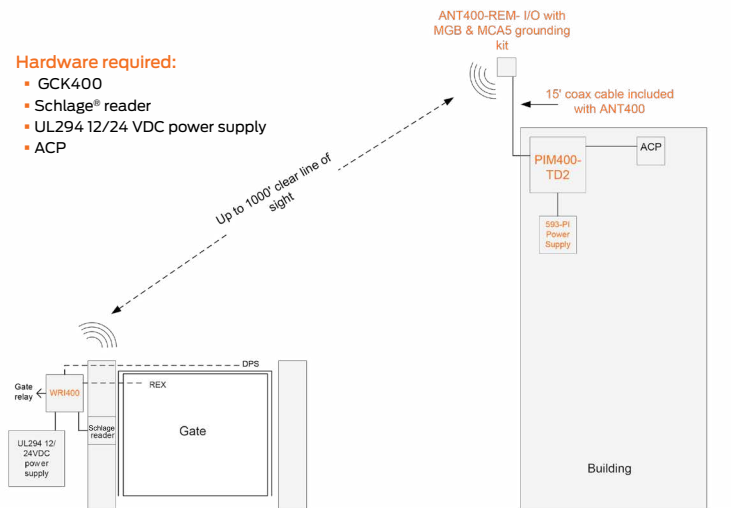
Qty	Part Number	
1	ANT400-REM-I/O	Omni-directional, flat panel, remote indoor/outdoor antenna with adjustable mount
1	WRI400	Wireless reader interface connects to a reader and transmits signal to PIM
1	PIM400-TD2	Panel interface module receives information through antenna and sends to access control provider panel for confirmation
1	593PI-12	Wall plug-in power supply converts 120v input to 12 VDC output supports WRI-400
1	MGB+MCA5 (GCK400 only)	Antenna grounding kit

## PIM400-TD2 specifications

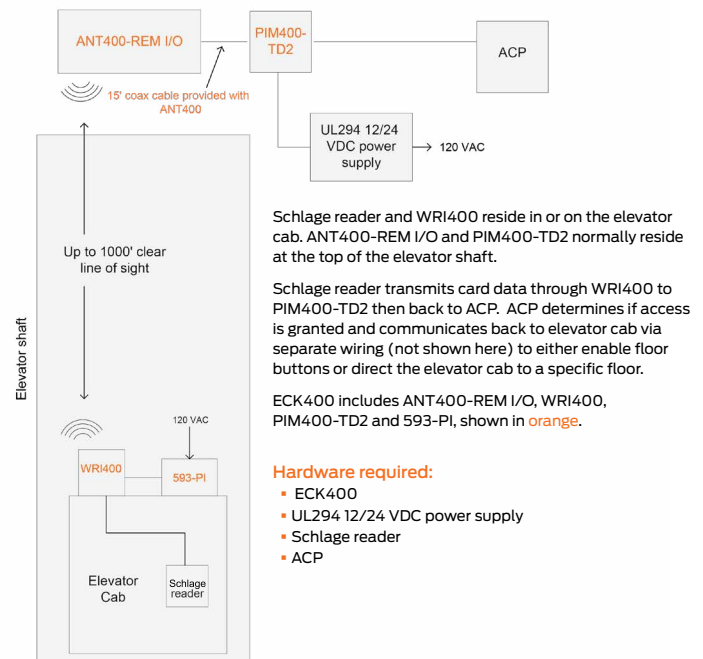
Transmission / encryption	AES - 128 bit (optional)
Communication range	Up to 200 ft (61 m) with obstructions Up to 1000 ft (305 m) clear line of sight Up to 2000 ft (609 m) line of sight with high gain antenna on PIM400 Up to 4000 ft (1219 m) line of sight with high gain antennas on PIM400 and WRI400
Dimensions (H x W x D)	10.43" x 7.28" x 3.79" (26.49 cm x 18.49 cm x 9.63 cm)

## WRI400 specification

Frequency range	902-928 MHz
Modulation	900 MHz spread spectrum, direct sequence, 10 channels
RF interference avoidance	Optional dynamic channel switching
Data rate	RF: 40 kbps
Power supply requirements	12 VDC or 24 VDC
Dimensions (H x W x D)	10.43" x 7.28" x 3.79" (26.49 cm x 18.49 cm x 9.63 cm)
Operating temperature	- 31°F (-35°C) to 151°F (66°C)
Strike output relay	Form C relay: 6 amps at 24 VDC or 6 amps at 120 VAC or 3 amps at 240 VAC
Auxillary output relay	Form C relay: 2 amps at 24 VDC or 0.5 amps at 120 VAC
Dimensions (overall)	8.7 in x 6.94 in x 4.5 in (220 mm x 176 mm x 140 mm)
Weight	4.2 oz (120 grams)



GCK includes WRI400, PIM400-TD2, ANT-REM I/O, MGB + MCA5 and 593-PI and are shown in orange. Items not included are in black. DPS and REX are optional.



Schlage reader and WRI400 reside in or on the elevator cab. ANT400-REM I/O and PIM400-TD2 normally reside at the top of the elevator shaft.

Schlage reader transmits card data through WRI400 to PIM400-TD2 then back to ACP. ACP determines if access is granted and communicates back to elevator cab via separate wiring (not shown here) to either enable floor buttons or direct the elevator cab to a specific floor.

ECK400 includes ANT400-REM I/O, WRI400, PIM400-TD2 and 593-PI, shown in orange.

### Hardware required:

- ECK400
- UL294 12/24 VDC power supply
- Schlage reader
- ACP

## Ordering information

- **GCK400** - Wireless Gate Control Kit
- **ECK400** - Wireless Elevator Control Kit

### Optional accessories

- **ANT400 Hall** - Bi-directional indoor antenna ceiling mount
- **ANT400-REM-I/O + 6 DB** - High gain, directional, flat panel remote indoor/outdoor antenna with 6 DB gain.
- **MGB + MCA5** - Antenna grounding kit for outdoor applications

Available through one of our GSA schedule 84 approved distributors

## About Allegion

Allegion (NYSE: ALLE) is a global pioneer in safety and security, with leading brands like CISA®, Interflex®, LCN®, Schlage®, SimonsVoss® and Von Duprin®. Focusing on security around the door and adjacent areas, Allegion produces a range of solutions for homes, businesses, schools and other institutions. Allegion is a \$2 billion company, with products sold in almost 130 countries. For more, visit [www.allegion.com](http://www.allegion.com).

KRYPTONITE ■ LCN ■  ■ STEELCRAFT ■ VON DUPRIN



© 2020 Allegion  
004013, Rev. 03/20  
[www.allegion.com/us](http://www.allegion.com/us)



# ANT400-REM

AD Series remote antennas  
for wireless system



Note: Images not to scale

## Overview

The Schlage ANT400-REM optional remote antennas are designed for use with the AD-400 Series devices. They increase installation flexibility of wireless products, extend the range of wireless communication in certain directions and expand the range of applications of AD Series solution.

A remote antenna is used to improve signal communication strength for wireless communications through an obstruction. A typical application would be when a remote device down a hallway requires a few extra feet of signal strength to reach the PIM400, which is sometimes located around a corner or behind a wire mesh or thick brick construction material.

When increased wireless communication range is required, the ANT400-REM-I/O+6dB model can up to double the range in the line of sight that it is aimed. This “gain antenna” increases the signal strength by focusing the energy in a single direction instead of broadcasting in all directions.

AD Series remote antennas are important components to environments with limited installation flexibility. The connected PIM400 can be up to 15 feet away from the remote antenna via the included coaxial cable. The outdoor rated antennas create new applications that allow a PIM400 to communicate to external remote access points such as gates or remote buildings without the need to trench cables.

## Features and benefits

- Use with PIM400 and WRI400
- Increase installation flexibility
- Optimize installation location
- Extend communication range with high-gain antenna
- Directional, bi-directional or omni-directional
- Indoor and outdoor options

### Included In:

- ECK400 wireless elevator kit
- GCK400 wireless gate control kit

## Remote antenna models

Model			Description
ANT400-REM-I/O	Type	Quasi omni-directional, unity gain	<p><b>Intended use:</b> an omni-directional flat-panel antenna for use with indoor or outdoor applications. To be mounted vertically on a wall or post.</p> <p><b>Included:</b> antenna, 15 ft coax cable, coax whip, articulated wall/post mounting bracket.</p> <p>Requires grounding kit (MGB+MCA5) for outdoor installations.</p>
	Communication range extension	15 ft due to cable length	
	Location	Indoor/outdoor	
	Dimensions (HxWxD)	9.1" x 8.4" x 1.2"	
	Weight:	0.5 kg	
	Temperature range:	-40°C to +65°C (-40°F to +150°F)	
ANT400-REM-I/O+6dB	Type	Directional, high gain	<p><b>Intended use:</b> a high gain, directional flat-panel antenna for use with indoor or outdoor applications. To be mounted vertically on a wall or post.</p> <p><b>Included:</b> antenna, 15 ft coax cable, coax whip and articulated wall/post mounting bracket.</p> <p>Requires grounding kit (MGB+MCA5) for outdoor installations.</p>
	Communication range extension	Up to 2x the original range without antenna (single direction), plus 15 ft due to cable length. Up to 200' in typical building construction or up to 2000' clear line of sight.	
	Location	Indoor/outdoor	
	Dimensions (HxWxD)	9.1" x 8.4" x 1.2"	
	Weight:	0.5 kg	
	Temperature range:	-40°C to +65°C (-40°F to +150°F)	
ANT400-REM-CEILING	Type	Omni-directional, unity gain	<p><b>Intended use:</b> an omni-directional antenna for use with indoor applications. To be mounted horizontally on ceiling.</p> <p><b>Included:</b> antenna, 15 ft coax cable, and coax whip.</p>
	Communication range extension	15 ft due to cable length. Up to 200' in typical building construction or up to 1000' clear line of sight.	
	Location	Indoor/outdoor	
	Dimensions (HxWxD)	9.1" x 8.4" x 1.2"	
	Weight:	0.5 kg	
	Temperature range:	-40°C to +65°C (-40°F to +150°F)	
ANT400-REM-HALL	Type	Bi-directional, unity gain	<p><b>Intended use:</b> an bi-directional antenna for use with indoor applications. To be mounted on wall or ceiling.</p> <p><b>Included:</b> antenna, 15 ft coax cable, and coax whip.</p>
	Communication range extension	15 ft due to cable length. Up to 200' in typical building construction or up to 1000' clear line of sight.	
	Location	Indoor	
	Dimensions (HxWxD)	7.2" x 3.9" x 4.9"	
	Weight:	0.24 kg	
	Temperature range:	-10°C to + 65°C (14° F to + 150° F)	

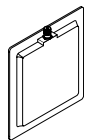
▪ FCC Part 15

### Accessories

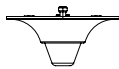
#### ▪ MGB+MCA5 grounding kit

- The National Electrical Code (NEC) requires that any outdoor antenna be properly grounded.
- The Schlage remote antenna grounding kit is compatible with all models of remote antenna.

### Certification



ANT400-REM-I/O<sup>1</sup>  
ANT400-REM-I/O+6dB<sup>1</sup>



ANT400-REM-CEILING<sup>1</sup>



ANT400-REM-HALL<sup>1</sup>

<sup>1</sup> These are the only remote antennas that have been approved by FCC for use with Allegion AD Series 900MHz communication modules. Any other antenna with an Allegion AD Series 900MHz communication modules would be in violation of FCC regulation.

Available through one of our GSA schedule 84 approved distributors

## About Allegion

Allegion (NYSE: ALLE) is a global pioneer in safety and security, with leading brands like CISA®, Interflex®, LCN®, Schlage®, SimonsVoss® and Von Duprin®. Focusing on security around the door and adjacent areas, Allegion produces a range of solutions for homes, businesses, schools and other institutions. Allegion is a \$2 billion company, with products sold in almost 130 countries. For more, visit [www.allegion.com](http://www.allegion.com).

KRYPTONITE ■ LCN ■  ■ STEELCRAFT ■ VON DUPRIN



ALLEGION™

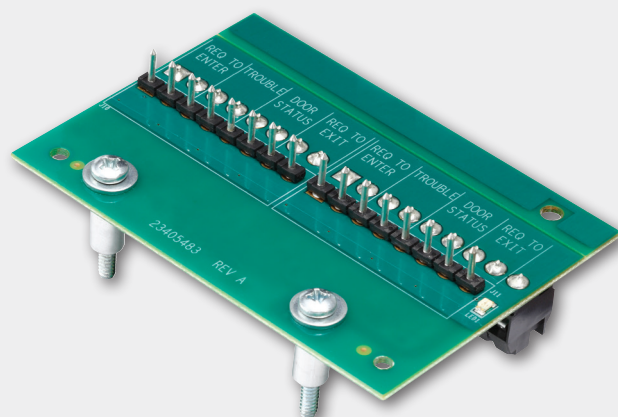
© 2020 Allegion  
004095, Rev. 4/20  
[www.allegion.com/us](http://www.allegion.com/us)





## RLBD

### AD Series Dry Contact Relay Board



## Overview

The Schlage AD Series Relay Board (RLBD) is an add on board used on the PIM400-TD2 and PIB300-2D for access control systems that require Dry Contact closures for supervised inputs.

The optional RLBD Relay Board removes the need for additional wired relays which can be cumbersome to source, complicated to install, and difficult to troubleshoot. The use of this board over custom wired solutions increases system reliability and reduces installation labor.

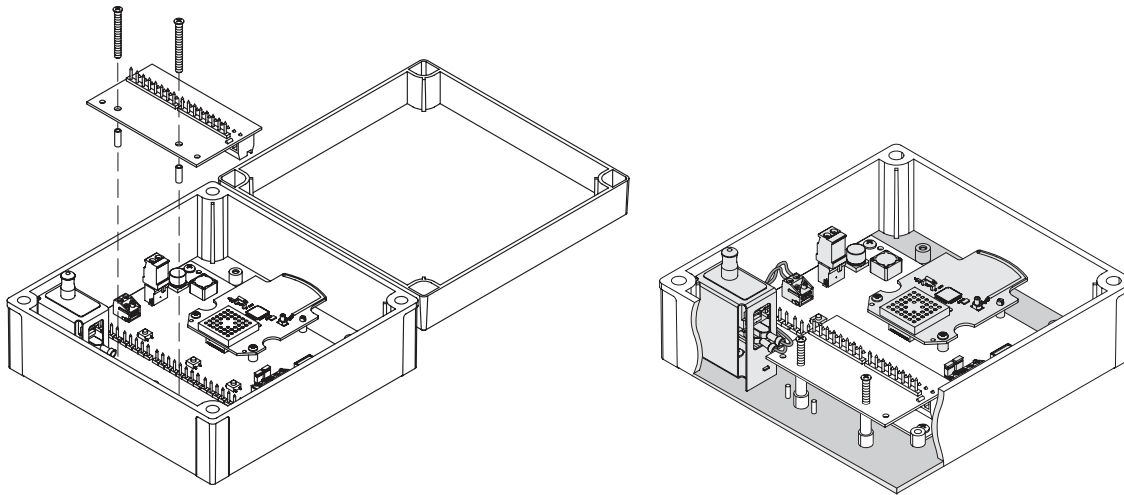
The RLBD is not required for integration of the PIM400-TD2 or the PIB3000-2D where the access control system can accept unsupervised inputs.

## Features and benefits

- Use with PIM400-TD2 or PIB300-2D
- Red LED light indicates power status
- Longer cycle lifetime than traditional mechanical-based relay solutions
- Access point status signals:
  - Request-to-enter
  - Request-to-exit
  - Door position/status
  - Tamper switch

## RLBD specifications

Voltage maximum (contact-to-contact)	28V
Maximum contact current	110 mA
"Open" state resistance	5 mega-ohms
"Closed" state resistance	2 ohms
Dimensions (H x W x D)	2.1" x 3.5" x 1.0" (5.33 cm x 8.89 cm x 2.54 cm)
Weight	0.125 lb (56.7 g)
Operating temperature	-31°F to 151°F (-35°C to 66°C)
Operating humidity	0-100% non-condensing



Installation of RLBD in a PIM400-TD2

Available through one of our GSA schedule 84 approved distributors

Allegion, the Allegion logo, Schlage, and the Schlage logo are trademarks of Allegion plc, its subsidiaries and/or affiliates in the United States and other countries. All other trademarks are the property of their respective owners.

## About Allegion

Allegion (NYSE: ALLE) is a global pioneer in safety and security, with leading brands like CISA®, Interflex®, LCN®, Schlage®, SimonsVoss® and Von Duprin®. Focusing on security around the door and adjacent areas, Allegion produces a range of solutions for homes, businesses, schools and other institutions. Allegion is a \$2 billion company, with products sold in almost 130 countries. For more, visit [www.allegion.com](http://www.allegion.com).

KRYPTONITE ■ LCN ■  ■ STEELCRAFT ■ VON DUPRIN



© 2019 Allegion  
004097, Rev. 12/19  
[www.allegion.com/us](http://www.allegion.com/us)



# REPTR400

## Wireless Repeater Kit



### Overview

The Schlage REPTR400 Wireless Repeater Kit is a simple, all-in-one package solution for access control applications that require an extended wireless range. It can be used for indoor or outdoor applications enabling the integration and management of an opening too distant or difficult to reach via hard wires. Ideal applications include remote doors, historic buildings, gates and elevators.

The Schlage REPTR400 includes an AD Series Panel Interface Module (PIM400-TD2) and an AD Series Wireless Reader Interface (WRI400). The PIM400-TD2 interfaces with most access control systems. Its function is to wirelessly communicate with either an AD-400 Series wireless lock on the door or a separate WRI400 wired to other electronic components around the door. The PIM400-TD2 receives data via one radio channel and communicates it to the kit's WRI400 unit to be transmitted via another channel. The additional distances covered can be up to 900 ft. within a normally constructed building or up to 2500 ft. where there is direct line of site.

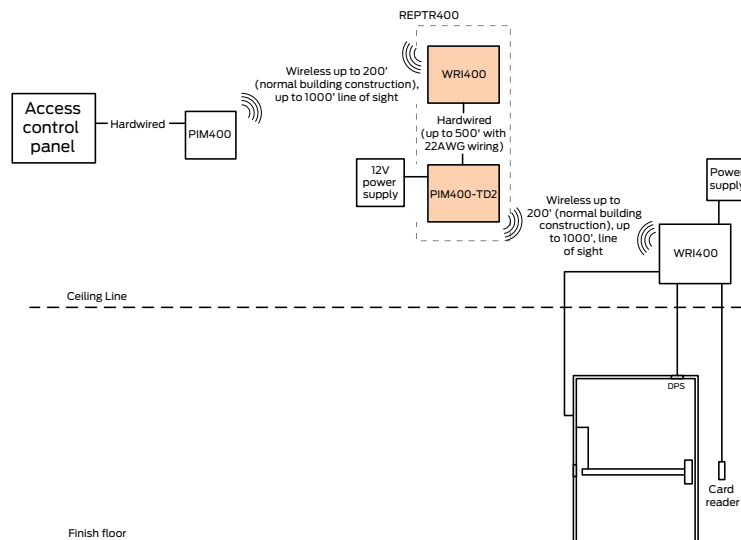
To extend range further for areas such as a remote gate or for use with a portable reader, a remote antenna (sold separately) can also be employed. If your distance needs suggest the use of an antenna, contact Allegion technical service for assistance.

### Features and benefits

- Convenient kit includes the WRI400 and PIM400-TD2
- Extends the reach of your access control system to remote locations without running wires
- Up to two REPTR400s can be added in a series (use only one for applications involving mag stripe credentials)
- **WRI400:**
  - 2 form C relay outputs –strike and auxiliary
  - Each RF transmission is encrypted with AES-128 bit keys
  - Reader interfaces support– Wiegand (data1/data 0) up to 255 bits and magnetic stripe (Clock & Data) up to 255 bits
- **PIM400-TD2:**
  - 900 MHz spread spectrum RF technology for long range, reliable communications
  - Automatic linking to remote wireless access points with 10 channel frequencies to select from enables easy commissioning
  - AES-128 bit encrypted spread spectrum transmissions

## PIM400-TD2 specifications

Frequency range	902-928 MHz
Modulation	900 MHz spread spectrum, direct sequence, 10 channels
Communication	Up to 200 ft (normal building construction); up to 1000 ft, clear line of sight
Operating temperature	-31° to 151°F (-35° to 66°C)
Humidity	0% to 100% condensing
Power supply	12 VDC or 24VDC
Dimensions (H x W x D)	7.1" x 7.1" x 3.0" (18.0 cm x 18.0 cm x 7.6 cm)
Weight	1.25 lb (.56 kg)
Certifications	NEMA 1, 4, 4X, 6; UL 294; FCC Part 15; RoHS; Industry Canada (IC)



Note: There are many other applications that use different wireless access points; this is one example of how a REPTR400 can be used.

## WRI400 specifications

Frequency range	902-928 MHz	
Modulation	900 MHz spread spectrum, direct sequence, 10 channels	
RF interference avoidance	Optional dynamic channel switching	
Transmission/encryption	AES-128 bit key (optional)	
Data rate	RF: 40 kbps	
Credential verification time	< 1 second (WRI requires less than 100ms. Response time does not include latency time of ACP. Each REPTR400 Kit adds 250ms delay)	
Communication range	Up to 200 ft (61 m), normal building construction Up to 1000 ft (305 m), clear line of sight (See ANT400-REM data sheet for increasing distance)	
Power supply requirements	12 VDC or 24 VDC; 500 mA maximum current	
Connector cable specifications	DC power input	18AWG, 2 conductor (Belden 8760 or equivalent), up to 1000 ft (305 m)
	Credential readers (x2)	Data signals: 22AWG, 6 conductor (Alpha 1296C or equivalent) up to 500 feet (152 meters) Reader tamper signals: 18AWG, twisted pair shielded (Belden 8760 or equivalent) up to 500 feet (152 meters)
	Strike/aux relay outputs	18AWG, 2 conductor (Belden 8760 or equivalent), up to 2000 feet (610 meters)
	Request-to-enter and -exit inputs	18AWG, 2 conductor (Belden 8760 or equivalent), up to 2000 feet (610 meters)
Relay output tolerances	Strike output relay	Form C relay; 6 amps at 24 VDC or 6 amps at 120 VAC or 3 amps at 240 VAC
	Auxiliary output relay	Form C relay; 2 amps at 24 VDC or 0.5 amps at 120 VAC
Operating temperature	-31°F (-35°C) to 151°F (66°C)	
Operating humidity	0 - 100% condensing	
Dimensions (H x W x D)	10.43" x 7.28" x 3.79" (26.49 cm x 18.49 cm x 9.63 cm)	
Certifications	NEMA 1, 4, 4X, 6; UL 294; FCC Part 15; Industry Canada (IC); RoHS	
Optional accessories	593PI-12 DC - power supply for Panel Interface Module (PIM)	

Available through one of our GSA schedule 84 approved distributors

## About Allegion

Allegion (NYSE: ALLE) is a global pioneer in safety and security, with leading brands like CISA®, Interflex®, LCN®, Schlage®, SimonsVoss® and Von Duprin®. Focusing on security around the door and adjacent areas, Allegion produces a range of solutions for homes, businesses, schools and other institutions. Allegion is a \$2 billion company, with products sold in almost 130 countries. For more, visit [www.allegion.com](http://www.allegion.com).

KRYPTONITE ■ LCN ■  ■ STEELCRAFT ■ VON DUPRIN

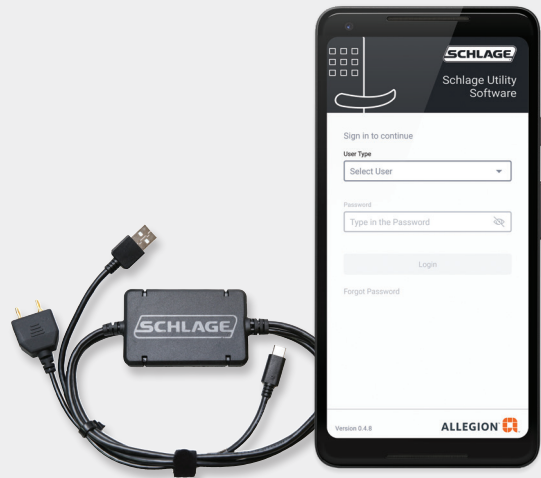


© 2019 Allegion  
004015, Rev. 12/19  
[www.allegion.com/us](http://www.allegion.com/us)



# Schlage Utility Software (SUS)

utilizing the SUS-A cable



## Overview

The Schlage Utility Software (SUS) mobile app for Android devices is designed specifically for use with the SUS-A cable to set up and act as the link between access control software and select Schlage® electronic locks and accessories. This new SUS mobile app and cable replaces the current SUS and HHD solution.

The SUS and SUS-A cable are used with networked and offline locks to initialize and configure devices, test operational status, perform ongoing system maintenance and update device firmware.

In addition, for offline devices, the SUS solution is utilized to transfer access control data from the Schlage Express access control software (such as authorized user lists) via the mobile device and cable to the locks or accessories. SUS is also utilized to download audit trail information from locks to the mobile device and then transfer that data to Schlage Express for analysis and storage.

The intuitive screen layout of the free SUS mobile app provides easy navigation during use. The SUS-A cable is an all-in-one solution with separate connectors – USB-A for our USB enabled devices and a 2-pin serial connection for our serial enabled devices – to connect the mobile device to the locks.

## Features and benefits

- Intuitive, free SUS mobile app for Android devices
- Single cable for Schlage AD and CO Series locks and legacy devices
- Facilitates initialization of locks and accessories
- Configures and tests devices
- Simplifies firmware updates
- Import/Export Device Configuration feature simplifies configuration process
- Ability to reclass Schlage AD Series locks
- Manager and Operator user modes

## Features and specifications

<b>Initialize lock and accessories</b>	Yes
<b>Field configure devices</b>	<ul style="list-style-type: none"><li>▪ Credential reader formats</li><li>▪ Lock function</li><li>▪ Unlock period</li><li>▪ Failure mode</li><li>▪ Audible alarm on/off</li></ul>
<b>Offline devices</b>	<ul style="list-style-type: none"><li>▪ Manage up to 100 unique door files</li><li>▪ Retrieve audit trails from up to 100 devices</li></ul>
<b>Networked devices</b>	<ul style="list-style-type: none"><li>▪ Communication settings</li><li>▪ Validate status monitor</li></ul>
<b>Service and diagnostics</b>	<ul style="list-style-type: none"><li>▪ Battery status</li><li>▪ Validate hardware and software revision</li><li>▪ Troubleshooting status signals</li><li>▪ Firmware upgrades</li></ul>

### Device compatibility

SUS mobile app and SUS-A cable are compatible with the following Schlage devices

- AD-400/401/402, AD-300/301/302 locks, AD Series readers
- PIM400 (RSI and TD2), WPR400, WPR401, PIB300
- BE367/FE210 (SPED) locks
- AD-200 locks (compatible in late 2020)
- AD-201, AD-250, CO-200, CO-220, CO-250 locks, WRI400, CT5000 controller, CM, CL, KC2 locks (compatible in 2021)

If you are unsure if your devices are compatible with the new SUS mobile app and SUS-A cable please contact technical support at 877-671-7011 (Option 2).

If you require SUS functionality prior to the new SUS solution being compatible with your devices, the legacy SUS/HHD and appropriate cables will be available for a limited time to allow communications with your CO Series or older Schlage electronic locks (CM, CL, KC2, etc.) See the [Schlage Utility Software \(SUS\) on the Handheld Device \(HHD\) data sheet](#) for more information.

### Android mobile device

#### Recommendations

- Android Pie 9.0 or newer (minimum SDK 28)
- For optimum performance, the SUS mobile app has been tested with flagship Android devices from major manufacturers including:
  - Google Pixel 3 or newer
  - Moto G6 or newer
  - Samsung S8 or newer
- Mobile phones are not available for purchase from Allegion
- Cellular plan is not required
- Apple devices are not compatible with the SUS and SUS-A cable solution

### Firmware requirements

- Device firmware needs to be at a minimum version to function correctly with the SUS mobile app and SUS-A cable
  - AD Series: AD.A.130
  - SPED: V1.30

### Ordering information

- 47282796 SUS A-KIT SUS-A Kit – USB and 2-pin Android cable
- SUS mobile app for compatible Android devices running Android Pie 9.0 or newer is available at no charge in the Google Play store – search for “Schlage Utility Software - SUS”

### About Allegion

Allegion (NYSE: ALLE) is a global pioneer in seamless access, with leading brands like CISA®, Interflex®, LCN®, Schlage®, SimonsVoss® and Von Duprin®. Focusing on security around the door and adjacent areas, Allegion secures people and assets with a range of solutions for homes, businesses, schools and institutions. Allegion had \$2.9 billion in revenue in 2019 and sells products in almost 130 countries. For more, visit [www.allegion.com](http://www.allegion.com)

## Standalone locking



This section of the Electronic Access Control catalog covers standalone locks, controllers and accessories including the AD Series, CO Series and CT5000.

### Overview

Standalone access control solutions provide added security, convenience and efficiency for openings that do not require real-time monitoring. They allow you to reduce rekeying costs by issuing electronic credentials which can easily be added or deleted at any time. Audit trails tell you who requested access and when. You can also save time and money by setting automatic lock and unlock schedules for specific time zones and holidays.

Schlage AD Series and CO Series are the first electronic locks to achieve UL 294 certification which is the standard for safety of access control units. Both models feature a robust integrated design which incorporates many of the components typically found around the door including the lockset, credential reader and door position switch. They also offer a choice of chassis, credential reader, lever and finish options to meet the needs of a variety of applications and facilities.

### The AD Series:

#### Features

The AD Series is a flexible, adaptable and scalable solution that provides you with an extended breadth of options as well as a migration path to future technologies. It is ideal for applications with more advanced security needs.

Two different classifications are offered in the AD Series for standalone applications. The AD-200 is a computer managed system where user access rights are stored in the lock. Modifications to user access privileges as well as audits are transferred between the access control software and the lock with the current handheld handheld programming device (HHD) or Android mobile device (available late 2020).

The AD-250 is a computer managed system where user access rights are stored on magnetic stripe cards. The AD-250 is often used in campus-like environments with a large number of users and offline openings.

The AD Series offers keypad, magnetic stripe, smart and multi-technology (reads both 125 kHz proximity and 13.56 MHz smart) reader options. All AD Series card readers are available with dual authentication for added security (card + PIN).

#### Benefits

The AD Series can be customized to meet the specific needs of each opening in a facility with a wide variety of factory orderable and field configurable options. The innovative modular design of the AD Series allows you to upgrade from standalone to networked if your needs change in the future. The AD Series also allows you to upgrade credential readers, for example, from magnetic stripe to multi-technology.



## Options<sup>1</sup>

The AD Series has several options to choose from including:

- **Class:** AD-200 & AD-250 (For AD-300 and AD-400 networked options, see the networked locking Introduction pages of this catalog)
- **Chassis:** Cylindrical, mortise, mortise deadbolt, exit trim
- **Function<sup>1</sup>:** Classroom/Storeroom, Office, Privacy, and Apartment
- **Readers<sup>1</sup>:** Keypad, magnetic stripe, smart and multi-technology readers (reads both 125 kHz proximity and 13.56 MHz smart). All card readers are available with + PIN option for added security.
- **Lever style:** Athens, Boardwalk, Broadway, Latitude, Longitude, Rhodes, Sparta, Tubular (tactile warning available)
- **Finishes:** 626 satin chrome, 605 bright brass, 606 satin brass, 612 satin bronze, 619 satin nickel, 625 bright chrome, 643e aged bronze, 626AM satin chrome with antimicrobial
- **Keyway/cylinders:** See lever and cylinder compatibility data sheet (010432)
- **Exit trim:** See AD Series exit trim compatibility data sheet (004382)

## The CO Series:

### Features

The CO Series is a reliable, compatible and proven solution backed by extensive testing and certification and the strong mechanical heritage of Schlage. It is ideal for applications that desire a cost effective solution for basic security needs.

Four different classifications are offered in the CO Series for standalone applications. The CO-100 is a manually programmed keypad only lock which allows up to 500 unique PIN codes for user access. The CO-200 and CO-220 can be manually programmed or computer managed with user access rights stored in the lock. Modifications to user access privileges as well as audits are transferred between the access control software to the lock with a handheld programming device (HHD). The CO-220 is unique because it allows for immediate local lockdown by simply pushing the button on the remote fob from anywhere in the classroom. An illuminated visual indicator located on the interior side of the lock provides instant verification that the door is secured from inside the room. The CO-250 is a computer managed system where user access rights are stored on magnetic stripe cards. The CO-250 is often used in campus-like environments with a large number of users and offline openings.

The CO Series offers keypad, magnetic stripe and proximity readers (125 kHz); CO Series readers are all available with dual authentication for added security (card + PIN). The CO Series is an excellent choice if the needs of the facility are not expected to change in the future.

### Benefits

The CO Series provides the added security and convenience of electronic access control without the cost or complexity of a networked system. By providing electronic credentials you can minimize the number of mechanical keys issued which protects the integrity of key systems. Choose from basic PIN code access for a small number of users or a card based system to serve a larger population of users.

### Options<sup>1</sup>

The CO Series has several options to choose from including:

- **Class:** CO-100, CO-200, CO-220, CO-250
- **Chassis:** Cylindrical, mortise, mortise deadbolt, exit trim
- **Function<sup>1</sup>:** Classroom/storeroom, office, and privacy
- **Readers<sup>1</sup>:** Keypad, magnetic stripe, proximity (125 kHz); all card readers are available with + PIN option for added security
- **Lever style:** Sparta, Rhodes, Athens, Tubular, Longitude, Latitude, Broadway, and Boardwalk (tactile warning options available)
- **Finishes:** 626 satin chrome, 605 bright brass, 606 satin brass, 612 satin bronze, 619 satin nickel, 625 bright chrome, 643e aged bronze, 626AM satin chrome with antimicrobial
- **Keyway/cylinders:** See lever and cylinder compatibility data sheet (010432)
- **Exit trim:** See CO Series exit trim compatibility data sheet (004183)

<sup>1</sup> Some options are dependent upon choice of class and chassis; see price book for complete details.

	CO-100	CO-200/220	CO-250	AD-200	AD-250
<b>Device capacity</b>					
Number of users	500	2000 <sup>1</sup>	Unlimited <sup>1</sup>	5000 <sup>1</sup>	Unlimited <sup>1</sup>
Number of audits	N/A	2000 <sup>1</sup>	4000 <sup>1</sup>	5000 <sup>1</sup>	10000 <sup>1</sup>
<b>Reader options</b>					
Consult with OEM access control system provider for credential format compatibility					
Keypad only	Yes	Yes	No	Yes	No
Magnetic stripe card	No	Yes	Yes	Yes	Yes
125 kHz proximity card	No	Yes	No	Yes	No
Multi-technology - 125 kHz proximity and 13.56 MHz smart	No	No	No	Yes	No
Smart – iClass compatible	No	No	No	Yes	No
Card + PIN	No	Yes	Yes	Yes	Yes
<b>Status monitors</b>					
Request to exit	No	Yes	Yes	Yes <sup>2</sup>	Yes <sup>2</sup>
Door position switch	No	Yes	Yes	Yes	Yes
Mechanical key override (AKT)	Yes	Yes	Yes	Yes	Yes
Request to enter	No	No	No	No	No
Low battery status	Yes	Yes	Yes	Yes	Yes
Communication status	No	No	No	No	No
Remote lockdown /unlock	Unlock only	No	No	No	No
Deadbolt position	No	No	No	No	No
Interior push button	No	No	No	No	No
<b>Chassis options</b>					
Cylindrical	Yes	Yes	Yes	Yes	Yes
Mortise	Yes	Yes	Yes	Yes	Yes
Mortise deadbolt	No	Yes	Yes	Yes	Yes
Exit trim	Yes	Yes	Yes	Yes	Yes
<b>Functions</b>					
Consult with OEM access control system provider for specific support					
Classroom/storeroom (70)	Yes	CO-200 only	Yes	Yes	Yes
Privacy (40)	Yes	CO-200 only	Yes	Yes	Yes
Office (50)	Yes	CO-200 only	Yes	Yes	Yes
Apartment (60)	No	No	No	No	Yes
Classroom security (75)	No	CO-220 only	No	No	No

<sup>1</sup> Depending on your access control software

<sup>2</sup> Built in status signals available to enable migration to networked, not monitored in standalone application

## Accessories:

A variety of accessories are available for use with AD Series and CO Series standalone locks including:

- The Schlage utility software (SUS) on the handheld programming device (HHD) provides an easy way to retrieve audits and transfer information between your access control software and electronic locks.
- The combo proximity keyfobs with iButton® option is available which allows you to manage proximity and iButton® technologies in the same facility.
- Decorative plates are available for retrofit applications where the new lock does not completely cover the existing door prep.

## The CT5000 offline controller:

### Features

The CT5000 offline single opening controller is also available for standalone applications. The CT5000 can support up to two separate Wiegand readers as well as interface with peripheral devices such as automatic operators, electric strikes, and electromagnetic locks.

### Benefits

The CT5000 offline single opening controller is an ideal solution for narrow stile store front and exit door applications. The CT5000 can operate in the same system as the AD Series and CO Series electronic locks. If networked functionality is required in the future, the CT5000 can be easily upgraded to a networked WRI400 wireless reader interface.

Allegion, the Allegion logo, Schlage and the Schlage logo are trademarks of Allegion plc, its subsidiaries and/or affiliates in the United States and other countries. All other trademarks are the property of their respective owners.

## About Allegion

Allegion (NYSE: ALLE) is a global pioneer in safety and security, with leading brands like CISA®, Interflex®, LCN®, Schlage®, SimonsVoss® and Von Duprin®. Focusing on security around the door and adjacent areas, Allegion produces a range of solutions for homes, businesses, schools and other institutions. Allegion is a \$2 billion company, with products sold in almost 130 countries. For more, visit [www.allegion.com](http://www.allegion.com).

KRYPTONITE ■ LCN ■  ■ STEELCRAFT ■ VON DUPRIN



© 2020 Allegion  
005427, Rev. 09/20  
[www.allegion.com/us](http://www.allegion.com/us)

**SCHLAGE**

## AD-200

Standalone electronic lock



### Overview

AD Series electronic locks from Schlage are designed to be modular and provide more options to choose from, more functionality in the lock and more compatibility with existing systems. Its patent-pending modular design allows the lock to be customized to fit the needs of an application now, and can change to meet future needs without removing it from the door.

Factory orderable options include choices of credential readers, chassis type, locking functions, power options, lever styles and finishes. It also offers a wide selection of features that can be configured in the field to customize your openings.

The AD-200 is a simple, economical solution if no access control system currently exists in facility, or for openings that don't require the control of a networked solution. The AD-200 is easily upgradable to a networked lock if requirements change in the future.

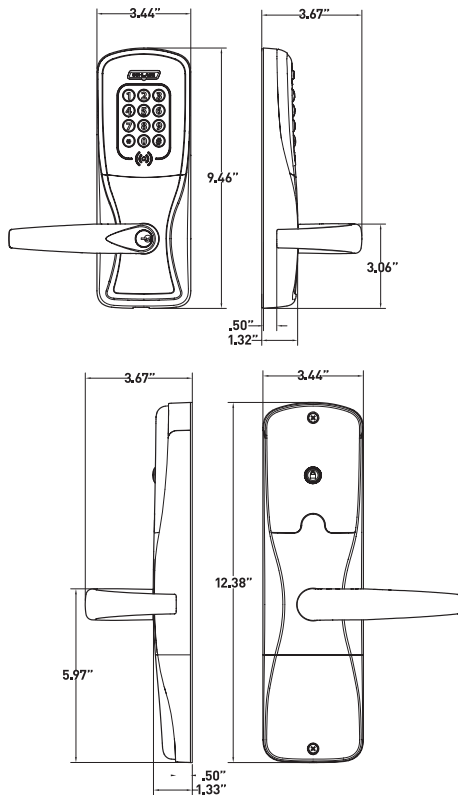
On all AD Series standalone locks, Schlage has built in many of the incremental features needed in a networked system such as request-to-exit and -enter sensors, interior cover tamper guard, as well as the door position switch. This way, if the customer chooses to network this opening in the future, all the components will be there to make the transition an easy one.

### Features and benefits

- Security that's more intelligent and convenient than traditional mechanical locking devices
- Audit trail reports that allow you to track usage and events
- Update users and access rights at the lock using the keypad or handheld device
- The ability to upgrade to a networked solution without removing the lock from the door
- Available in cylindrical, mortise, mortise deadbolt and exit trim
- Compatible with major brands of master key systems and exit devices
- Hardwired remote push button release capability
- Programmable option for lighted occupancy indication<sup>2</sup>
- ANSI/BHMA A156.25, ANSI/BHMA Grade 1, UL 294, UL 10C, FCC Part 15, ADA, RoHS, FL12400<sup>1</sup>, FL1591<sup>1</sup>, FL13013<sup>1</sup> and FL14482<sup>1</sup>

<sup>1</sup> Applies to cylindrical and mortise chassis only

<sup>2</sup> Available on privacy function locks manufactured after May 2019 with firmware version ADA.126 or higher.



## AD-200 electronic lock specifications

Users	Up to 5000
Audits	Up to 5000
Credential verification time	≤ 1 second <sup>1</sup>
Visual/audible communications	Tri-colored LEDs and audible indicators (field configurable)
System interface	Handheld Device (HHD)
Power supply	4AA, 8AA, 12 VDC or 24 VDC
Voltage range	4 VDC to 26 VDC
Max current requirement	Up to 250 mA
Battery life	Up to 2 yrs with 4AA
Operating temperature - exterior	-31° to 151°F (-35° to 66°C)
Operating temperature - interior	32° to 120°F (0° to 49°C) (battery)
Operating humidity	0 - 100% non-condensing
Certifications	ANSI/BHMA A156.25, ANSI/BHMA Grade 1, UL 294, UL 10C, FCC Part 15, ADA, RoHS
Accessories	Handheld Device (HHD) or SUS-A Cable used with SUS Android mobile app (available late 2020)

### Functions

- Classroom/storeroom<sup>2</sup>
- Office<sup>2</sup>
- Privacy
- Apartment

### Standard status signals

- Battery status - indicated by flashing LED light
- Lock/unlock status
- Mechanical key override
- Occupied - indicated by red LED light (privacy function only)

## Schlage Utility Software

The Schlage Utility Software (SUS) on the Handheld Device (HHD), or compatible Android mobile devices (available late 2020) provides an easy way to manage people, audits and locks for simple access control management.

### Schlage Utility Software

- Initialize lock and accessories
- Field configure devices
  - Credential reader formats
  - Lock function
  - Unlock period
  - Failure mode
  - Audible alarm on/off
- Service and diagnostics
  - Battery status
  - Validate hardware and software revision
  - Troubleshooting status signals
- New device template simplifies configuration

<sup>1</sup> Verification time is dependent on size of user base

<sup>2</sup> Classroom/storeroom and office function not available with mortise deadbolt option.

## Mechanical specifications

Chassis	Cylindrical	Mortise	Exit trim
Handing	Handed to order, field reversible		
ANSI standard (Meets or exceeds)	A156.25 A156.2 Series 4000 Grade 1	A156.25 A156.13 Series 1000 Grade 1	A156.25 A156.3
Door thickness	1 3/4" standard, 1 3/8" to 2 3/4" optional (available in 1/8" increments)		
Backset	Standard: 2 3/4" Optional: 2 3/8", 3 3/4", 5"	2 3/4" only	Defined by exit device
Latch bolt	Standard: 1/2" throw Optional: 3/4" throw	Standard: 3/4" throw Optional: 1" throw on mortise deadbolt	Provided by exit device
Levers	Pressure cast zinc, plated		
Strike	Standard: 1 3/16" lip, ANSI, 1 1/4" x 4 7/8" Optional: Additional configurations available please see price book		Provided by exit device
Cylinder and keys	Schlage 6-pin Everest 29 S123 keyway Conventional cylinder with two patented keys standard. Additional options available including SFIC, FSIC and competitor brands. See lever and cylinder compatibility data sheet (010432)		

## Multi-technology reader specification

Credential technologies	Proximity (125 kHz) and Smart (13.56 MHz)
Standards	ISO standard 15693 and ISO 14443
Maximum read range	Up to 1.25" on 125 kHz proximity, up to 0.75" on 13.56 MHz smart card
Proximity credential compatibility	<b>Compatibility:</b> Schlage®, ISONAS™, HID®, GE/CASI ProxLite®, AWID® and LenelProx® <b>Schlage credential style formats:</b> Clamshell, ISO card, ISO card with magnetic stripe, keyfob, thin keyfob, PVC adhesive disk
Smart credential compatibility	<b>Secure sector compatibility:</b> Schlage MIFARE Classic®, Schlage MIFARE Plus®, Schlage MIFARE® DESFire® EV1 and EV2 with PACSA, PIV and PIV-1 <sup>3,4</sup> <b>CSN only compatibility:</b> DESFire, HID iClass®, Inside Contactless Pico Tag®, MIFARE, MIFARE DESFire EV1 and EV2, ST Microelectronics®, Texas Instruments Tag-It®, Phillips I-Code® <b>Schlage credential style formats:</b> Clamshell, ISO card, ISO card with magnetic stripe, keyfob, thin keyfob, wearable wristband, PVC adhesive patch
Certifications/standards	FCC, UL 294 Listed, ISO standard 15693, and ISO standard 14443
Style/layout	Option for 12 button, 3x4 matrix backlit keypad

<sup>1</sup> Request-to-exit switch optional for future network migration

<sup>2</sup> Narrow design and reversible rim exits not compatible

<sup>3</sup> 75 bit output format default. Configurable to other output formats. Check with access control provider for specific support

<sup>4</sup> Smart card functionality dependant on access control software

## AD Series exit trim

Installed with a universal mounting plate, the AD Series exit trim is compatible with the following exit devices:

- Von Duprin 98/99 & 98/99XP<sup>1</sup> Rim, surface vertical rod, mortise. Concealed vertical cable and concealed vertical rod on metal doors only.
- Von Duprin 22/22F<sup>1</sup> Rim, surface vertical rod
- Falcon 25<sup>1</sup> - Rim
- Sargent® 80<sup>2</sup> Series - Rim
- Precision™ 21 Rim 2100 converts to 21 with Precision's BP21 kit
- Corbin Russwin® 5000 Series - Rim
- Yale® 7000 - Rim
- Dorma® 9300 - Rim

## Benefits of AD Series multi-technology readers:

- Reads multiple brands of both proximity (125 kHz) and smart (13.56 MHz) technologies with single reader
- Allows facility to migrate to more secure credential technologies over time and as budgets permit

## Additional readers

### Smart – iClass compatible

- Smart card reader only
- Reads secure sector of HID iClass, iClass SE, iClass SEOS, iClass Standard Key, and iClass Elite Key; Schlage MIFARE Classic, MIFARE Plus, and MIFARE DESFire EV1 and EV2

### Magnetic stripe

- Available with choice of insertion or swipe style readers
- Triple track reader (1, 2 or 3), field configurable
- ABA, ISO76XX standard

### Keypad

- Backlit keypad
- 12 button, 3x4 matrix

## Available AD Series reader modules



**Multi-technology**  
▪ Proximity  
▪ Smart card



**Multi-technology**  
▪ Proximity  
▪ Smart card



**Smart – iClass compatible**  
▪ Smart card  
▪ KEYPAD



**Smart – iClass compatible**  
▪ Smart card



**Magnetic stripe (insertion)**  
▪ KEYPAD



**Magnetic stripe (insertion)**



**Magnetic stripe (swipe)**  
▪ KEYPAD



**Magnetic stripe (swipe)**



**Keypad**

▪ KEYPAD  
FIPS 201-1 compliant option available (FMK)

# Ordering information

Available through one of our GSA schedule 84 approved distributors; BAA options available

AD-200-CY-70-MG-SPA-626-PD-S123-RH-4B-13-049-10-025-1 3/4

Series	Class	Chassis	Function	Reader	Lever style	Finish	Lever cylinder	Keying type	Handing	Battery	Backset and latch	Strike	Door thickness
1	2	3	4	5	6	7	8	9	10	11	12	13	14

Selections correspond with the numbers above

Standard options are indicated in bold. See price book for specific configuration options.

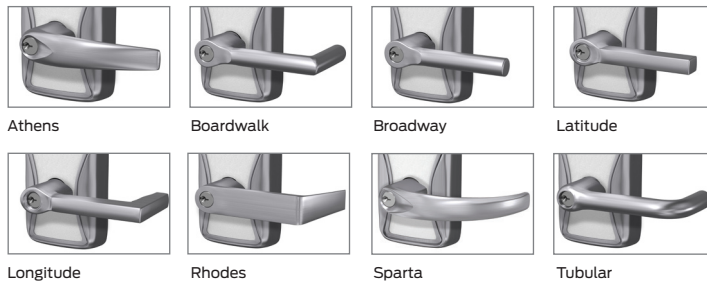
<b>3</b>	<b>Chassis</b>
CY	Cylindrical
MS	Mortise
MD	Mortise deadbolt
993R	Exit trim – Rim/CVC/CVR
993S	Exit trim – SVR
993M	Exit trim – mortise
993DT	Non-functioning dummy trim for exit
<b>4</b>	<b>Function</b>
70	Classroom/storeroom
50	Office
40	Privacy
60	Apartment
<b>5</b>	<b>Reader</b>
<b>KP</b>	<b>Keypad</b>
MG	Magnetic stripe (insertion)
MGK	Magnetic stripe + keypad (insertion)
MS	Magnetic stripe (swipe)
MSK	Magnetic stripe + keypad (swipe)
MT	Multi-technology
	(125kHz and 13.56 MHz)
MTK	Multi-technology + keypad
	(125kHz and 13.56 MHz)
Si	Smart - iClass compatible
SiK	Smart - iClass compatible + keypad
DT	Dummy trim

<b>6</b>	<b>Lever</b>
ATH	Athens
BRK	Boardwalk
BRW	Broadway
LAT	Latitude
LON	Longitude
RHO	Rhodes
SPA	Sparta
TLR	Tubular
	Available with knurled surface
<b>7</b>	<b>Finish</b>
<b>626</b>	<b>Satin chrome</b>
605	Bright brass
606	Satin brass
612	Satin bronze
619	Satin nickel
625	Bright chrome
643e	Aged bronze
626AM	Satin chrome antimicrobial
<b>8</b>	<b>Lever cylinder type</b>
<b>PD</b>	<b>Schlage 6-pin Conventional key-in-lever cylinder</b>
	See price book for other SFIC, FSIC and less cylinder options available. Compatible with Schlage, Sargent, Corbin, Medeco and Yale.
<b>9</b>	<b>Keyway type</b>
<b>S123</b>	<b>Everest 29</b>
	See price book for other available keyway options including restricted keyways in Primus XP high security cylinders and master keying
<b>10</b>	<b>Handing</b>
<b>RH</b>	<b>Right handed</b>
<b>LH</b>	<b>Left handed</b>
	Field reversible

<b>11</b>	<b>Battery</b>
<b>4B</b>	<b>4AA</b>
<b>8B</b>	<b>8AA</b>
<b>12</b>	<b>Backset and latch or armor front</b>
	<b>Cylindrical</b>
<b>13-049</b>	<b>2 3/4" backset, deadlatch, square corner, 1 1/8" x 2 1/4"</b>
	<b>Mortise</b>
<b>09-663</b>	<b>Armor front, 1 1/8" wide, square corner</b>
	See price book for mortise deadbolt and other backset and latch options or armor front options
<b>13</b>	<b>Strike</b>
	<b>Cylindrical</b>
<b>10-025</b>	<b>1 3/16" lip, ANSI, no box, 1 1/4" x 4 7/8"</b>
	<b>Mortise</b>
<b>10-072</b>	<b>1 3/16" lip, 1 1/4" x 4 7/8" square corner, box</b>
	See price book for other available strikes
<b>14</b>	<b>Door thickness</b>
	<b>1 3/4"</b>
	Other thicknesses available between 1 3/8" and 2 3/4"
	See price book for detail

## Lever styles

Conventional cylinders shown, SFIC and FSIC also available.

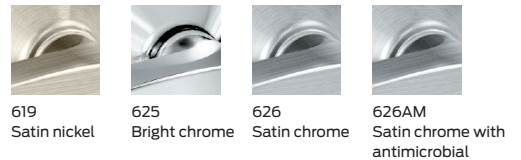


## Finishes

Warm tone finishes



Cool tone finishes



## About Allegion

Allegion (NYSE: ALLE) is a global pioneer in safety and security, with leading brands like CISA®, Interflex®, LCN®, Schlage®, SimonsVoss® and Von Duprin®. Focusing on security around the door and adjacent areas, Allegion produces a range of solutions for homes, businesses, schools and other institutions. Allegion is a \$2 billion company, with products sold in almost 130 countries. For more, visit [www.allegion.com](http://www.allegion.com).

KRYPTONITE ■ LCN ■ SCHLAGE ■ STEELCRAFT ■ VON DUPRIN



© 2020 Allegion  
00442, Rev. 9/20  
[www.allegion.com/us](http://www.allegion.com/us)





## AD-201

FIPS 201-1 compliant  
standalone electronic lock  
with multi-technology +  
keypad reader



### Overview

The AD-201 is a simple and economical standalone solution for applications which require approval by the U.S. Federal Government under HSPD-12 for FIPS 201-1 compliance. The solution consists of the AD-201 integrated electronic lock with multi-technology + keypad (FMK) reader module, the handheld programming device (HHD) and the MT20 enrollment reader.

The innovative modular design of the AD-201 allows reader modules and communication modules to easily be upgraded. As a result, the AD-201 standalone lock can become an AD-401 networked wireless locks in minutes, without even taking it off the door.

The FMK reader module comes standard with the AD-201 lock and also can be ordered separately for field upgrades. It is for use with PIV and PIV-I credentials. The FMK is a multi-technology reader that supports 125 kHz proximity and 13.56 MHz smart cards.

Schlage Express offline access control software is used in conjunction with the AD-201 to manage access points, users and schedules. Reporting capability is available to show audit trails retrieved, access privileges granted, and time functions established by either user or door.

The MT-20 is an enrollment reader is designed to simplify the credential enrollment process. You can easily enroll 75-bit and 200-bit PIV, PIV-I or other smart card into Schlage Express using the MT-20 connected to your computer's USB port.

The handheld device is the link between Schlage Express software and the AD-201 lock. It consolidates and simplifies programming and managing your access control system. It is used to initialize, configure and test product operation as well as to transfer information between the lock and the software.

### Features and benefits

#### AD-201 FIPS 201 lock

- FIPS 201 compliant multi-technology reader for use with PIV and PIV-I credentials
- Upgradable to an AD-401 FIPS 201-1 compliant wireless lock
- Available in cylindrical, mortise, mortise deadbolt and exit trim
- UL 294 listed, ANSI/BHMA A156.25 and ANSI/BHMA Grade 1 certified

#### Schlage Express™ offline software

- Offline software used to manage AD-201 locks
- Supports up to 2000 users/audits with 50 locks or 1000 users/audits with 100 locks
- Supports up to 8 time zone and up to 16 holidays and auto unlocks per system

#### MT-20 enrollment reader

- USB reader makes it easy to enroll credentials in Schlage Express™
- Recognizes Schlage smart credentials (MIFARE Classic®, MIFARE® DESFire® EV1 and EV2)

#### Handheld programming device

- Allows you to initialize, configure and test AD-201 locks
- Used to transfer user rights from Schlage Express to AD-201
- Transfers audits trails from AD-201 to Schlage Express

## AD-201 electronic lock specifications

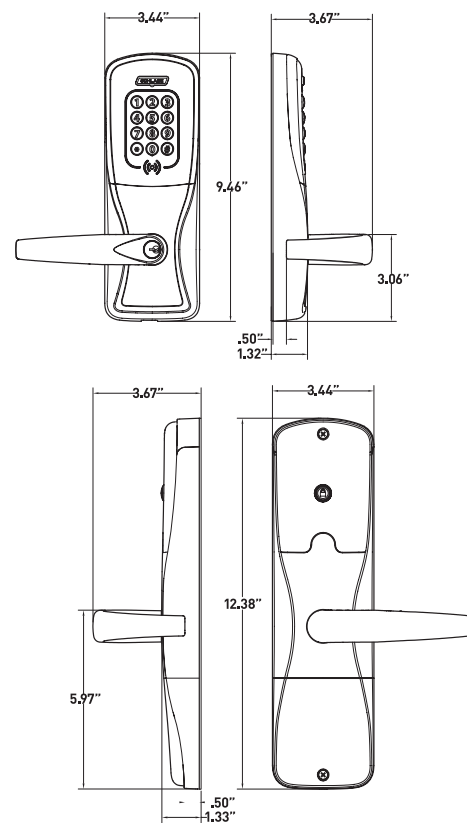
Credential verification time	≤ 1 second <sup>1</sup>
Visual/audible communications	Tri-colored LEDs and audible indicators (field configurable)
System interface	Handheld Device (HHD) or SUS-A Cable used with SUS Android mobile app (available late 2020)
Power supply	4AA, 8AA, 12 VDC or 24 VDC
Voltage range	4 VDC to 26 VDC
Max current requirement	Up to 250 mA
Battery life	Up to 2 yrs with 4AA
Operating temperature - exterior	-31° to 151°F (-35° to 66°C)
Operating temperature - interior	32° to 120°F (0° to 49°C) (battery)
Operating humidity	0 - 100% non-condensing
Certifications	ANSI/BHMA A156.25, ANSI/BHMA Grade 1, UL 294, UL 10C, FCC Part 15, ADA, RoHS
Accessories	Handheld Device (HHD) or SUS-A Cable used with SUS Android mobile app (available late 2020)

## Mechanical specifications

Chassis	Cylindrical	Mortise	Exit trim
Handing	Handed to order, field reversible		
ANSI standard (Meets or exceeds)	A156.25 A156.2 Series 4000 Grade 1	A156.25 A156.13 Series 1000 Grade 1	A156.25 A156.3
Door thickness	1 3/4" standard, 1 3/8" to 2 3/4" optional (available in 1/8" increments)		
Backset	Standard: 2 3/4" Optional: 2 3/8", 3 3/4", 5"	2 3/4" only	Defined by exit device
Latch bolt	Standard: 1/2" throw Optional: 3/4" throw	Standard: 3/4" throw Optional: 1" throw on mortise deadbolt	Provided by exit device
Levers	Pressure cast zinc, plated	Steel, plated	Steel, plated
Strike	Standard: 1 3/16" lip, ANSI, 1 1/4" x 4 7/8" Optional: Additional configurations available please see price book		Provided by exit device
Cylinder and keys	Schlage 6-pin Everest 29 S123 keyway cylinder with two patented keys standard Additional options available including Standard, SFIC, FSIC and competitor brands		

## Multi-technology reader specification

Credential technologies	Proximity (125 kHz) and Smart (13.56 MHz)
Standards	ISO standard 15693 and ISO 14443
Maximum read range	Up to 1.25" on 125 kHz proximity, up to 0.75" on 13.56 MHz smart card
Proximity credential compatibility	<b>Compatibility:</b> Schlage®, ISONAS™, HID®, GE/CASI ProxLite®, AWID® and LenelProx® <b>Schlage credential style formats:</b> Clamshell, ISO card, ISO card with magnetic stripe, keyfob, thin keyfob, PVC adhesive disk
Smart credential compatibility	<b>Secure sector compatibility:</b> Schlage MIFARE Classic®, Schlage MIFARE Plus®, Schlage MIFARE® DESFire® EV1 and EV2 with PACSA, PIV and PIV-I <sup>2</sup> <b>CSN only compatibility:</b> DESFire, HID iClass®, Inside Contactless Pico Tag®, MIFARE, MIFARE DESFire EV1 and EV2, ST Microelectronics®, Texas Instruments Tag-It®, Phillips I-Code® <b>Schlage credential style formats:</b> Clamshell, ISO card, ISO card with magnetic stripe, keyfob, thin keyfob, wearable wristband, PVC adhesive patch
Certifications/standards	FCC, UL 294 Listed, ISO standard 15693, ISO standard 14443 and FIPS 201-1
Style/layout	Option for 12 button, 3x4 matrix backlit keypad



## AD Series FMK reader modules



### FIPS 201-1 compliant multi-technology

- FMK reader required for FIPS 201-1 compliant multi technology and keypad reader supporting both proximity and smart cards

**+** KEYPAD

<sup>1</sup> Verification time is dependent on size of user base

<sup>2</sup> The AD Series FIPS 201-1 compliant option can be used in applications which require approval by the U.S. Government under HSPD-12 for FIPS 201-1

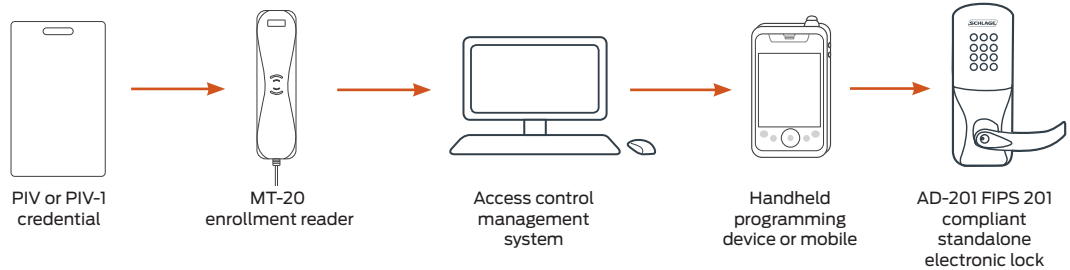
## Schlage Express specifications

Hardware	Intel Pentium II processor (Pentium III or IV recommended), CD-ROM, mouse or compatible pointing device, VGA or Super VGA monitor, keyboard
Hard disk space	250 MB for software; will require additional space for stored data
Memory	256 MB RAM minimum or the memory required for the operating system, whichever is greater
Operating system	Microsoft Windows XP, Windows 7 and Windows 8
Reports with the built-in viewer Internet Explorer 6 or higher must be installed.	

## Schlage Express AD-201 specifications

Users/audits	<ul style="list-style-type: none"> <li>▪ 2,000 Users/audits with 50 AD-201 locks/devices</li> <li>▪ 1,000 Users/audits with 100 AD-201 locks/devices</li> </ul>
User time zones	Limits the hours and days a user can access up to 8 assigned points
Holidays	Suspends normal operations for user defined periods per door during up to 16 non-normal days
PIN codes	<ul style="list-style-type: none"> <li>▪ Supports up to 6 digit PIN codes</li> <li>▪ Duplicate PIN notification feature</li> </ul>
Auto unlock schedules	Allows weekly repeating for automatic locking and unlocking of up to 16 defined

## AD-201 standalone system



## Schlage Utility Software

The Schlage Utility Software (SUS) on the Handheld Device (HHD) or compatible Android mobile devices (available late 2020) provides an easy way to manage people, audits and locks for simple access control management.

### Schlage Utility Software

- Initialize lock and accessories
- Field configure devices
  - Credential reader formats
  - Lock function
  - Unlock period
  - Failure mode
  - Audible alarm on/off
- Service and diagnostics
  - Battery status
  - Validate hardware and software revision
  - Troubleshooting status signals
- New device template simplifies configuration

HHD is also compatible with CM, CL, VIP, WA and KC2 Series locks in a serial cable connection.

# Ordering information

Available through one of our GSA schedule 84 approved distributions; BAA options available

AD-201-CY-70-FMK-SPA-626-PD-S123-RH-4B-13-049-10-025-1 3/4

Series	Class	Chassis	Function	Reader	Lever style	Finish	Lever cylinder	Keying type	Handing	Battery	Backset and latch	Strike	Door thickness
1	2	3	4	5	6	7	8	9	10	11	12	13	14

Selections correspond with the numbers above

Standards options are indicated in bold. See price book for specific configuration options.

<b>3</b>	<b>Chassis</b>
CY	Cylindrical
MS	Mortise
MD	Mortise deadbolt
993R	Exit trim – Rim/CVC/CVR
993S	Exit trim – SVR
993M	Exit trim – mortise
993DT	Non-functioning dummy trim for exit
<b>4</b>	<b>Function</b>
70	Classroom/storeroom
50	Office
40	Privacy
60	Apartment
<b>5</b>	<b>Reader</b>
FMK	FIPS 201-1 compliant multi-technology + keypad (125 kHz and 13.56 MHz)
<b>6</b>	<b>Lever</b>
SPA	Sparta
RHO	Rhodes
ATH	Athens
TLR	Tubular

Available with knurled surface

<b>7</b>	<b>Finish</b>
626	Satin chrome
605	Bright brass
606	Satin brass
612	Satin bronze
619	Satin nickel
625	Bright chrome
643e	Aged bronze
626AM	Satin chrome antimicrobial
<b>8</b>	<b>Lever cylinder type</b>
PD	Schlage 6-pin full cylinder
	See price book for other SFIC, FSIC and Less Cores options available. Compatible with Schlage, Sargent, Corbin, Medeco and Yale.
<b>9</b>	<b>Keyway type</b>
<b>S123</b>	<b>Everest 29</b>
	See price book for other available keyway options including master keying
<b>10</b>	<b>Handling</b>
<b>RH</b>	<b>Right handed</b>
LH	Left handed
	Field reversible
<b>11</b>	<b>Battery</b>
<b>4B</b>	<b>4AA</b>
8B	8AA

<b>12</b>	<b>Backset and latch or armor front</b>
<b>Cylindrical</b>	
<b>13-247</b>	<b>2 3/4" backset, deadlatch, square corner, 1 1/8" x 2 1/4"</b>
<b>Mortise</b>	
<b>09-663</b>	<b>Armor front, 1 1/4" wide, square corner</b>
	See price book for mortise deadbolt and other backset and latch options or armor front options
<b>13</b>	<b>Strike</b>
<b>Cylindrical</b>	
<b>10-025</b>	<b>1 3/16" lip, ANSI, no box, 1 1/4" x 4 7/8"</b>
<b>Mortise</b>	
<b>10-072</b>	<b>1 3/16" lip, 1 1/4" x 4 7/8" square corner, box</b>
	See price book for other available strikes
<b>14</b>	<b>Door thickness</b>
<b>1 3/4"</b>	
	Other thicknesses available between 1 3/8" and 2 3/4"
	See price book for detail

## Lever styles

Standard cylinders shown, SFIC and FSIC also available.



Sparta

Rhodes

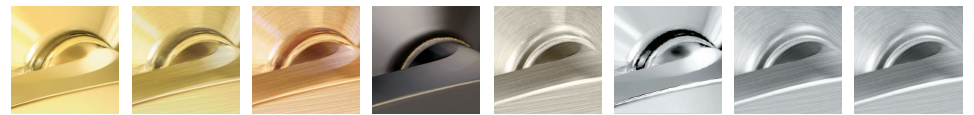


Athens

Tubular

## Finishes

Warm tone finishesCool tone finishes



605  
Bright brass

606  
Satin brass

612  
Satin bronze

643e  
Aged bronze

619  
Satin nickel

625  
Bright chrome

626  
Satin chrome

626AM  
Satin chrome with antimicrobial

Allegion, the Allegion logo, Schlage, the Schlage logo, Von Duprin and Falcon are trademarks of Allegion plc, its subsidiaries and/or affiliates in the United States and other countries. All other trademarks are the property of their respective owners.

## About Allegion

Allegion (NYSE: ALLE) is a global pioneer in safety and security, with leading brands like CISA®, Interflex®, LCN®, Schlage®, SimonsVoss® and Von Duprin®. Focusing on security around the door and adjacent areas, Allegion produces a range of solutions for homes, businesses, schools and other institutions. Allegion is a \$2 billion company, with products sold in almost 130 countries. For more, visit [www.allegion.com](http://www.allegion.com).

KRYPTONITE ■ LCN ■ **SCHLAGE** ■ STEELCRAFT ■ VON DUPRIN



ALLEGION™

© 2020 Allegion  
009820, Rev. 9/20  
[www.allegion.com/us](http://www.allegion.com/us)

**SCHLAGE**

# AD-250

Standalone electronic lock



## Overview

AD Series electronic locks from Schlage are designed to be modular and provide more options to choose from, more functionality in the lock and more compatibility with existing systems. Its patent-pending modular design allows the lock to be customized to fit the needs of an application now, and can change to meet future needs without removing it from the door.

Factory orderable options include choices of magnetic stripe credential readers, chassis type, locking functions, power options, lever styles and finishes. It also offers a wide selection of features that can be configured in the field to customize your openings.

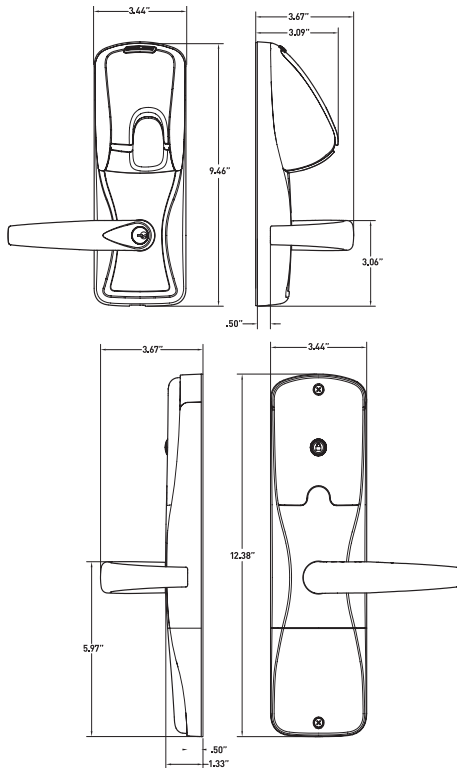
The AD-250 is a unique solution in which the credential, not the lock, carries access rights on a magnetic stripe card. This allows dynamic rights management on the card without reprogramming each lock in the facility. And the lock still maintains an audit trail of events at the door. This makes it a smart and economical solution for campus-like environments with a large number of users and offline openings.

On all AD Series standalone locks, Schlage has built in many of the incremental features needed in a networked system such as request-to-exit and request-to-enter sensors, interior cover tamper guard, as well as the door position switch. This way, if the customer chooses to network this opening in the future, all the components will be there to make the transition an easy one.

## Features and benefits

- Security that's more intelligent and convenient than traditional mechanical locking devices
- Audit trail reports that allow you to track usage
- Add users and access rights using credentials instead of having to visit each lock
- The ability to upgrade to a networked solution without removing the lock from the door
- Available in cylindrical, mortise, mortise deadbolt and exit trim
- Compatible with major brands of master key systems and exit devices
- Now available with magnetic swipe reader
- ANSI/BHMA A156.25, ANSI/BHMA Grade 1, UL 294, UL 10C, FCC Part 15, ADA, RoHS, FL12400<sup>1</sup>, FL1591<sup>1</sup>, FL13013<sup>1</sup> and FL14482<sup>1</sup>

<sup>1</sup> Applies to cylindrical and mortise chassis only



## AD-250 electronic lock specifications

Users	Unlimited, dependent on software
Audits	Up to 10,000
Credential verification time	≤ 1 second
Visual/audible communications	Tri-colored LEDs and audible indicators (field configurable)
System interface	Handheld Device (HHD) or SUS-A Cable used with SUS Android mobile app (available late 2020)
Power supply	4AA, 8AA, 12 VDC or 24 VDC
Voltage range	4 VDC to 26 VDC
Max current requirement	Up to 250 mA
Battery life	Up to 2 yrs with 4AA
Operating temperature - exterior	-31° to 151°F (-35° to 66°C)
Operating temperature - interior	32° to 120°F (0° to 49°C) (battery)
Operating humidity	0 - 100% non-condensing
Certifications	ANSI/BHMA A156.25, ANSI/BHMA Grade 1, UL 294, U L10C, FCC Part 15, ADA, RoHS
Accessories	Handheld Device (HHD), SUS-A Cable used with SUS Android mobile app (available late 2020), magnetic stripe credential encoder (CL-Encoder 2)

### Functions

- Classroom/storeroom<sup>1</sup>
- Office<sup>1</sup>
- Privacy
- Apartment

### Standard status signals

- Lock/unlock status
- Mechanical key override
- Battery status

## Schlage Utility Software

The Schlage Utility Software (SUS) on the Handheld Device (HHD) or compatible Android mobile devices (available late 2020) provides an easy way to manage people, audits and locks for simple access control management.

### Schlage Utility Software

- Initialize lock and accessories
- Field configure devices
  - Credential reader formats
  - Lock function
  - Unlock period
  - Failure mode
  - Audible alarm on/off
- Service and diagnostics
  - Battery status
  - Validate hardware and software revision
  - Troubleshooting status signals
- New device template simplifies configuration

For replacement HHD devices with a serial cable connection, please contact Technical Support at 877.671.7011.

<sup>1</sup> Classroom/storeroom and office function not available with mortise deadbolt option. To ensure safety, all functions always allow for free egress.

## Mechanical specifications

Chassis	Cylindrical	Mortise	Exit trim
Handing	Handed to order, field reversible		
ANSI standard (Meets or exceeds)	A156.25 A156.2 Series 4000 Grade 1	A156.25 A156.13 Series 1000 Grade 1	A156.25 A156.3
Door thickness	1 3/4" standard, 1 3/8" to 2 3/4" optional (available in 1/8" increments)		
Backset	Standard: 2 3/4" Optional: 2 3/8", 3 3/4", 5"	2 3/4" only	Defined by exit device
Latch bolt	Standard: 1/2" throw Optional: 3/4" throw	Standard: 3/4" throw Optional: 1" throw on mortise deadbolt	Provided by exit device
Levers	Pressure cast zinc, plated		
Strike	Standard: 1 3/16" lip, ANSI, 1 1/4" x 4 7/8" Optional: Additional configurations available please see price book		Provided by exit device
Cylinder and keys	Schlage 6-pin Everest 29 S123 keyway Conventional cylinder with two patented keys standard. Additional options available including SFIC, FSIC and competitor brands. See lever and cylinder compatibility data sheet (010432)		

## AD Series exit trim

Installed with a universal mounting plate, the AD Series exit trim is compatible with the following exit devices:

- Von Duprin 98/99 & 98/99XP<sup>1</sup> Rim, surface vertical rod, mortise. Concealed vertical cable and concealed vertical rod on metal doors only.
- Von Duprin 22/22F<sup>1</sup> Rim, surface vertical rod
- Falcon 25<sup>1</sup> - Rim
- Sargent® 80<sup>2</sup> Series - Rim
- Precision™ 21 Rim 2100 converts to 21 with Precision's BP21 kit
- Corbin Russwin® 5000 Series - Rim
- Yale® 7000 - Rim
- Dorma® 9300 - Rim

## Available AD-250 reader options



### Magnetic stripe (swipe)

- KEYPAD
- Triple track reader (1, 2 or 3), field configurable
- ABA, ISO76XX Standard
- Reader can be cleaned without removing lock from door
- 12 button, 3x4 matrix backlit keypad



### Magnetic stripe (swipe)

- Triple track reader (1, 2 or 3), field configurable
- ABA, ISO76XX Standard
- Reader can be cleaned without removing lock from door
- 12 button, 3x4 matrix backlit keypad



### Magnetic stripe (insertion)

- KEYPAD
- Triple track reader (1, 2 or 3), field configurable
- ABA, ISO76XX standard



### Magnetic stripe (insertion)

- Triple track reader (1, 2 or 3), field configurable
- ABA, ISO76XX standard

<sup>1</sup> Request-to-exit switch optional for future network migration

<sup>2</sup> Narrow design and reversible rim exits not compatible



# Ordering information

Available through one of our GSA schedule 84 approved distributions; BAA options available

AD-250-CY-70-MG-SPA-626-PD-S123-RH-4B-13-049-10-025-1 3/4

Series	Class	Chassis	Function	Reader	Lever style	Finish	Lever cylinder	Keying type	Handing	Battery	Backset and latch	Strike	Door thickness
1	2	3	4	5	6	7	8	9	10	11	12	13	14

Selections correspond with the numbers above

Standard options are indicated in bold. See price book for specific configuration options.

<b>3</b>	<b>Chassis</b>
CY	Cylindrical
MS	Mortise
MD	Mortise deadbolt
993R	Exit trim – Rim/CVC/CVR
993S	Exit trim – SVR
993M	Exit trim – mortise
993DT	Non-functioning dummy trim for exit
<b>4</b>	<b>Function</b>
70	Classroom/storeroom
50	Office
40	Privacy
60	Apartment
<b>5</b>	<b>Reader</b>
MG	Magnetic stripe (insertion)
MGK	Magnetic stripe + keypad (insertion)
<b>MS</b>	<b>Magnetic stripe (swipe)</b>
MSK	Magnetic stripe + keypad (swipe)
DT	Dummy trim
<b>6</b>	<b>Lever</b>
ATH	Athens
BRK	Boardwalk
BRW	Broadway
LAT	Latitude
LON	Longitude
RHO	Rhodes
SPA	Sparta
TLR	Tubular

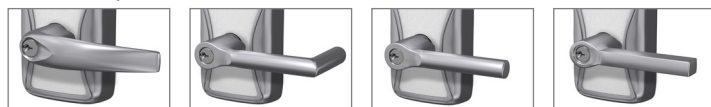
Available with tactile warning options

<b>7</b>	<b>Finish</b>
<b>626</b>	<b>Satin chrome</b>
605	Bright brass
606	Satin brass
612	Satin bronze
619	Satin nickel
625	Bright chrome
643e	Aged bronze
626AM	Satin chrome antimicrobial
<b>8</b>	<b>Lever cylinder type</b>
<b>PD</b>	<b>Schlage 6-pin Conventional cylinder</b>
	See price book for other SFIC, FSIC and less cylinder options available. Compatible with Schlage, Sargent, Corbin, Medeco and Yale.
<b>9</b>	<b>Keyway type</b>
<b>S123</b>	<b>Everest 29</b>
	See price book for other available keyway options including restricted keyways in Primus XP high security cylinders and master keying
<b>10</b>	<b>Handing</b>
<b>RH</b>	<b>Right handed</b>
LH	Left handed
	Field reversible
<b>11</b>	<b>Battery</b>
<b>4B</b>	<b>4AA</b>
8B	8AA

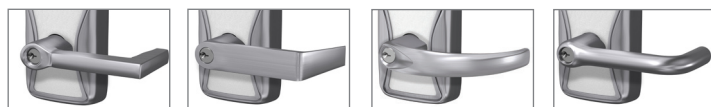
<b>12</b>	<b>Backset and latch or armor front</b>
<b>Cylindrical</b>	
<b>13-049</b>	<b>2 3/4" backset, deadlatch, square corner, 1 1/8" x 2 1/4"</b>
<b>Mortise</b>	
<b>09-663</b>	<b>Armor front, 1 1/4" wide, square corner</b>
	See price book for mortise deadbolt and other backset and latch options or armor front options
<b>13</b>	<b>Strike</b>
<b>Cylindrical</b>	
<b>10-025</b>	<b>1 3/16" lip, ANSI, no box, 1 1/4" x 4 7/8"</b>
<b>Mortise</b>	
<b>10-072</b>	<b>1 3/16" lip, 1 1/4" x 4 7/8" square corner, box</b>
	See price book for other available strikes
<b>14</b>	<b>Door thickness</b>
<b>1 3/4"</b>	
	Other thicknesses available between 1 3/8" and 2 3/4"
	See price book for detail

## Lever styles

Conventional cylinders shown, SFIC and FSIC also available.



Athens Boardwalk Broadway Latitude



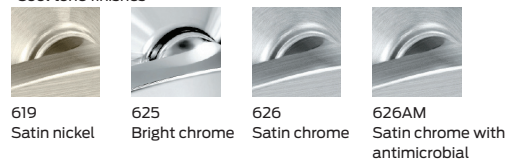
Longitude Rhodes Sparta Tubular

## Finishes

Warm tone finishes



Cool tone finishes



## About Allegion

Allegion (NYSE: ALLE) is a global pioneer in safety and security, with leading brands like CISA®, Interflex®, LCN®, Schlage®, SimonsVoss® and Von Duprin®. Focusing on security around the door and adjacent areas, Allegion produces a range of solutions for homes, businesses, schools and other institutions. Allegion is a \$2 billion company, with products sold in almost 130 countries. For more, visit [www.allegion.com](http://www.allegion.com).

KRYPTONITE ■ LCN ■ SCHLAGE ■ STEELCRAFT ■ VON DUPRIN



© 2020 Allegion  
004436, Rev. 09/20  
[www.allegion.com/us](http://www.allegion.com/us)



# AD Series

Exit trim compatibility



## Overview

The AD Series electronic lock is available in 993 Exit Trim for use on openings that require exit devices for either retrofit or new construction applications. Offline and networked solutions are available. The 993 Exit Trim was designed to suite with AD Series cylindrical and mortise locksets to ensure that the facility remains aesthetically consistent. The AD Series 993 Exit Trim utilizes universal hardware to simplify installation of offline trim to a variety of exit devices, including rim style from Von Duprin, Falcon, Sargent®, Precision™ Corbin Russwin, Dorma®, and Yale®.

### Available Exit Trim styles:

- 993R – Rim, concealed vertical cable or concealed vertical rod (CVC and CVR for metal doors only)
- 993S – Surface vertical rod
- 993M – Mortise

## Features and benefits

- Multiple credential reader options
- Offline and networked communication options
- A wide variety of finishes and lever styles
- Power options that include hardwired (12 VDC or 24 VDC) or batteries (4AA or 8AA)
- Compatible with all Schlage Conventional, FSIC and SFIC formatted cylinders including many competitive OEM cylinders such as, Sargent®, Corbin Russwin, Medeco® and Yale®

## Compatibility

Devices	AD-200/250	AD-300/AD-302 <sup>3</sup> AD-400/AD-402 <sup>3</sup>
Von Duprin 98/99 and 98/99XP rim/SVR/ CVR <sup>1</sup> /CVC <sup>1</sup> /mortise	X	X
Von Duprin 22/22F rim/SVR	X	X
Falcon 25 rim	X	X
Sargent® 80 <sup>2</sup> rim	X	
Precision™ 21 rim (2100 converts to 21 with Precision's BP21 kit)	X	
Yale® 7000 rim	X	
Corbin Russwin 5000 rim	X	
Dorma® 9300 rim	X	

<sup>1</sup> For metal doors only

<sup>2</sup> Narrow design and reversible rim exits not compatible.

<sup>3</sup> The proper low current request to exit switch (RX-LC) is required for AD-300/302 and AD-400/402. Part numbers for request to exit switch:

- Von Duprin: 050281
- Falcon: 650359

## Available AD Series reader modules<sup>2</sup>

- Multi-technology (125 kHz proximity and 13.56 MHz smart card)
- FIPS 201-2 compliant multi-technology (125 kHz proximity and 13.56 MHz smart card)
- Smart – iClass compatible
- NFC mobile enabled
- Magnetic stripe
- Keypad only
- All credential readers available + keypad

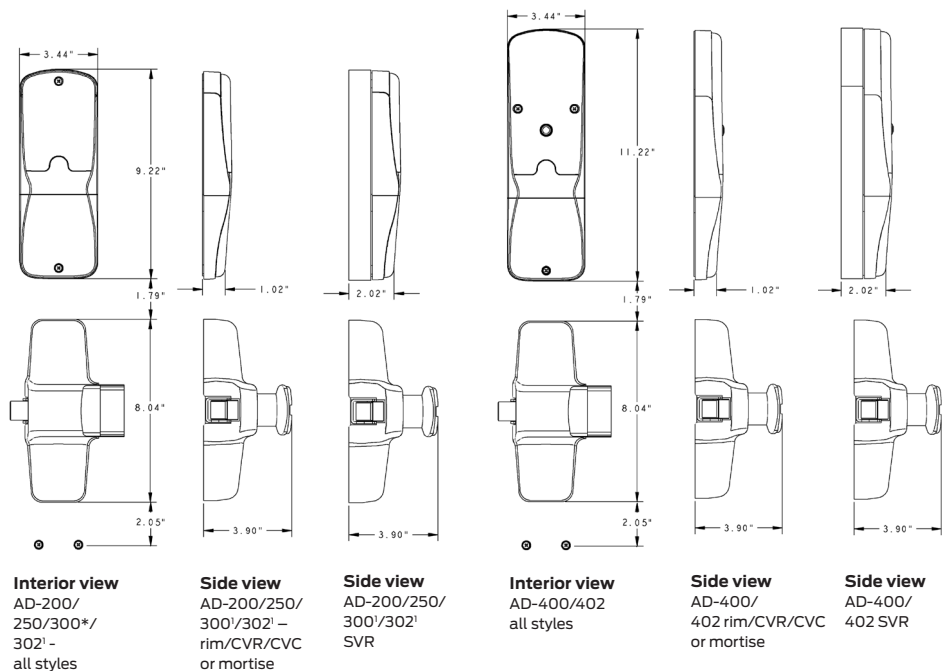
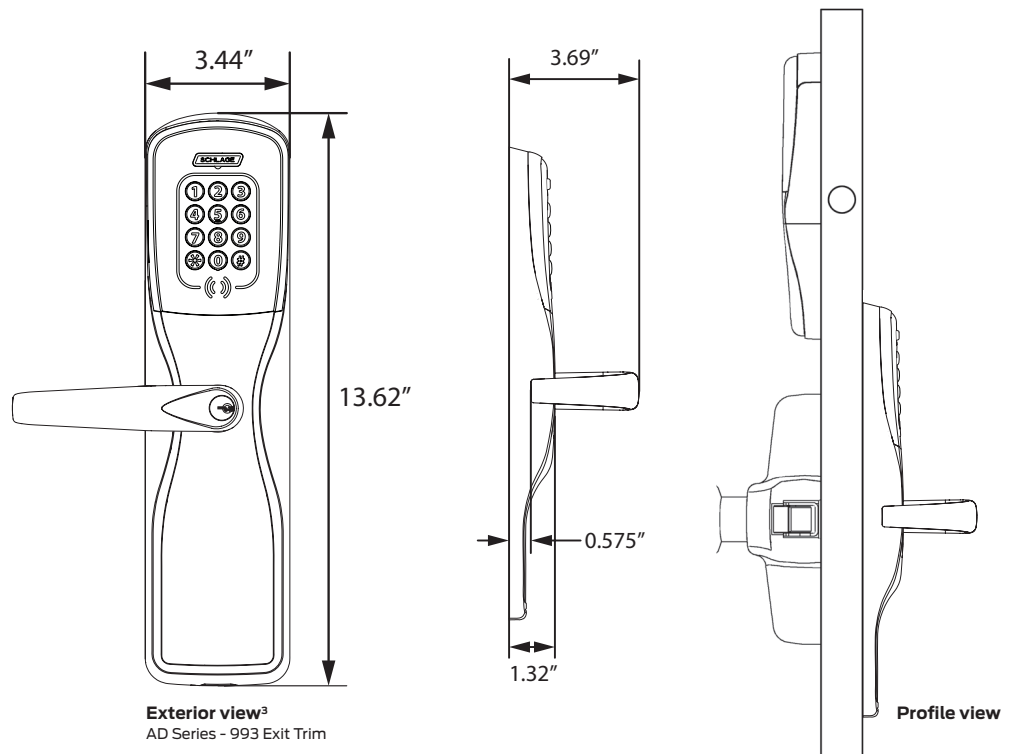
## Available communication options

- AD-400: Networked wireless locks
- AD-402: Networked wireless locks - FIPS 201-2 compliant
- AD-300: Networked hardwired locks
- AD-302: Networked hardwired locks - FIPS 201-2 compliant
- AD-250: Offline, access rights stored on the magnetic stripe credential
- AD-200: Offline, access rights stored on the lock

<sup>1</sup> AD-300/302 includes LED indicator

<sup>2</sup> Unlike other AD Series chassis styles, upgrading reader modules on the 993 Exit Trim requires the exterior escutcheon to be removed from the door

<sup>3</sup> (2) #7 fasteners with decorative washers located 11.88" below bottom edge of lock



Allegion, the Allegion logo, Schlage, the Schlage logo, Von Duprin, and Falcon are trademarks of Allegion plc, its subsidiaries and/or affiliates in the United States and other countries. All other trademarks are the property of their respective owners.

## About Allegion

Allegion (NYSE: ALLE) is a global pioneer in safety and security, with leading brands like CISA®, Interflex®, LCN®, Schlage®, SimonsVoss® and Von Duprin®. Focusing on security around the door and adjacent areas, Allegion produces a range of solutions for homes, businesses, schools and other institutions. Allegion is a \$2 billion company, with products sold in almost 130 countries. For more, visit [www.allegion.com](http://www.allegion.com).

KRYPTONITE ■ LCN ■ **SCHLAGE** ■ STEELCRAFT ■ VON DUPRIN



© 2019 Allegion  
004382, Rev.12/19  
[www.allegion.com/us](http://www.allegion.com/us)

**SCHLAGE**

CO-100

Standalone electronic lock



Images shown are not to scale.

## Overview

The CO Series provides ideal solutions for customers seeking the added security and convenience of electronic access control without the cost or complexity of a fully networked system. Within this group is CO-100, a standalone lock that is manually programmable. User rights are stored on the lock with unique PIN codes assigned to each user. This minimizes the number of mechanical keys issued which protects the integrity of your key system. PIN codes can be easily added or deleted at anytime, right at the door.

The CO-100 from Schlage is versatile enough to use anywhere. In the classroom/storeroom function, it is fully outdoor rated and can be used for gate or breezeway access. CO-100 privacy function locks can be programmed to show occupancy indication for applications such as dressing areas or bathrooms. And office function locks can be set up for remote release making them perfect for vestibules or waiting rooms.

Cylindrical, mortise, and exit trim chassis options are available. The series is compatible with many popular brands of exit devices and offered in a wide variety of finishes and levers to suite with your existing hardware. Mechanical key override is standard and compatible with multiple cylinder types.

CO Series has been tested to the highest standards in the industry to ensure the quality and reliability you have come to expect from Schlage. The CO Series is ANSI/BHMA A156.25, ANSI/BHMA Grade 1 certified and UL 294 Listed.

<sup>1</sup> Applies to 70 function only.

<sup>2</sup> Applies to cylindrical and mortise chassis only.

<sup>3</sup> Available on office function locks manufactured after 1/1/2018 with firmware version 2.6.2 or higher.

<sup>4</sup> Available on privacy function locks manufactured after 9/30/2018 with firmware version 2.7.0 or higher.

## Features and benefits

- Manually programmable
- Up to 500 unique 3-6 digit PIN codes stored on the lock
- ANSI/BHMA A156.25 (full outdoor<sup>1</sup>), ANSI/BHMA Grade 1 certified, UL 294 and UL 10C listed, hurricane wind and impact rated<sup>2</sup>
- Classroom/storeroom, office and privacy functions available
- Chassis options include cylindrical, mortise, and exit trim
- Compatible with most major brands of key systems and exit devices
- Hard wired, remote release push button capability<sup>3</sup>
- Programmable option for lighted occupancy indication<sup>4</sup>
- Three levels of user authority
- Normal, toggle, pass through, and freeze credential attributes available
- LED indicator visually communicates lock status
- Fully outdoor rated in 70 function for use on pool gates and breezeways

## CO-100 electronic lock specifications

Users	500
Credential verification time (keypad only)	≤ 1 second
Visual/audible communications	Tri-colored LED's and audible indicators
Power supply	4 AA batteries (standard off the shelf: included)
Battery life	Up to 2 yrs with 4 AA batteries
Operating temperature - exterior	-31° to 151°F (-35° to 66°C)
Operating temperature - interior	-31° to 151°F (-35° to 66°C)
Operating humidity	0 - 100% non-condensing
Certifications	ANSI/BHMA A156.25 (full outdoor <sup>1</sup> ), ANSI/BHMA Grade 1, UL 294, UL 10C, UL Canada, FCC Part 15, FL12400 <sup>2</sup> , FL1591 <sup>2</sup> , FL13013 <sup>2</sup> and FL14482 <sup>2</sup> ADA and RoHS

### Functions

- Classroom/storeroom
- Office
- Privacy

### Standard status signals

- Battery status—indicated by flashing LED lights
- Access granted/access denied
- Programming commands
- Occupied—indicated by red LED light (privacy function only)

## Programming and use options

Function code	User level	Description
PIN <sup>3</sup>	Basic	Unlocks the lock momentarily when in a normally secured state.
Programming	Manager/administrator	Initiates all programming actions (can be changed by administrator)
User changes	Manager/administrator	Assigns or deletes user PINs for the lock
Toggle	Manager/administrator	Changes the lock to an unlocked state and back when desired
Freeze	Administrator	Maintains the lock in current state until code is re-entered (cannot be toggled)
Pass through	Administrator	Unlocks the lock momentarily regardless of current state
Other	Administrator	Includes change relock delay period; change PIN length; disable/enable beeper; disable/enable remote release <sup>4</sup> ; disable/enable LED occupancy indication <sup>5</sup>

<sup>1</sup> Applies to 70 function only.

<sup>2</sup> Applies to cylindrical and mortise chassis only.

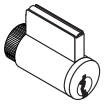
<sup>3</sup> Credentials can be 3-6 digits in length.

<sup>4</sup> Remote release feature available on office function only.

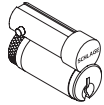
<sup>5</sup> Occupancy indication feature available on privacy function only.

## Mechanical specifications

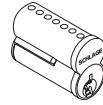
Chassis	Cylindrical	Mortise	Exit trim
Handing	Handed to order, field reversible		
ANSI standard (Meets or exceeds)	A156.25 A156.2 Series 4000 Grade 1	A156.25 A156.13 Series 1000 Grade 1	A156.25 A156.3
Door thickness	1 3/4" standard, 1 3/8" to 2 3/4" optional (available in 1/8" increments)		
Backset	Standard: 2 3/4" Optional: 2 3/8", 3 3/4", 5"	2 3/4" only	Defined by exit device
Latch bolt	Standard: 1/2" throw Optional: 3/4" throw	Standard: 3/4" throw	Provided by exit device
Levers	Pressure cast zinc, plated		
Strike	Standard: 1 3/16" lip, ANSI, 1 1/4" x 4 7/8" Optional: Additional configurations available please see price book		Provided by exit device
Cylinder and keys	Schlage 6-pin Everest 29 S123 keyway Conventional cylinder with two patented keys standard. Additional options available including SFIC, FSIC and competitor brands. See lever and cylinder compatibility data sheet (010432)		
Exit device compatibility	See CO Series exit trim compatibility data sheet (004183)		



Full cylinder

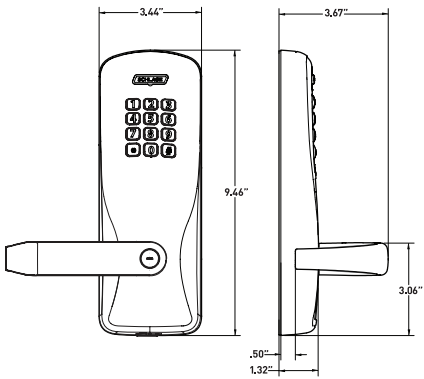


Full Size Interchangeable Core

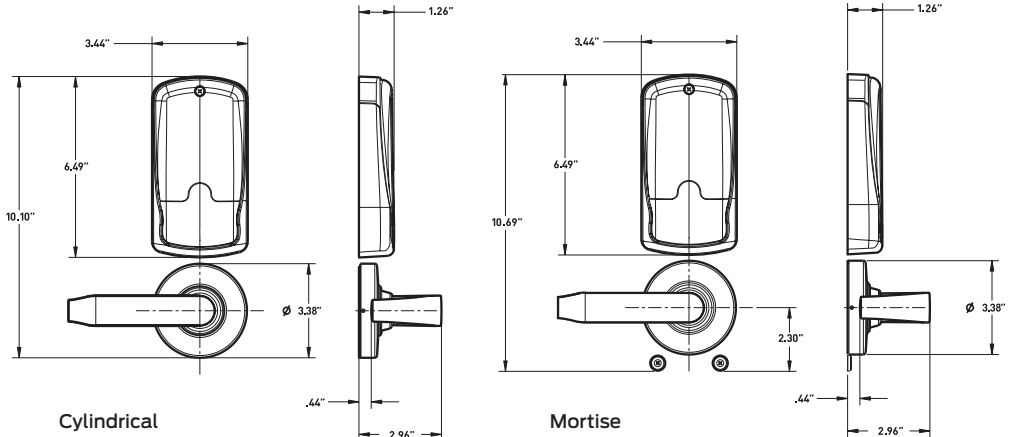


Small Format Interchangeable Core

### Exterior of the lock



### Interior of the lock



# Ordering information

Available through one of our GSA schedule 84 approved distributions

Required fields					Factory defaults and options							
CO-100-CY-70-KP-SPA-626-PD-S123-RH-13-049-10-025-1 3/4												
Series	Class	Chassis	Function	Reader	Lever style	Finish	Lever cylinder	Keying type	Handing	Backset and latch	Strike	Door thickness
1	2	3	4	5	6	7	8	9	10	11	12	13

Selections correspond with the numbers above

Standard options are indicated in bold. See price book for specific configuration options.

<b>3</b>	<b>Chassis</b>
CY	Cylindrical
MS	Mortise
993R	Exit trim – Rim/CVR/CVC
993S	Exit trim – SVR
993M	Exit trim – mortise
993DT	Exit dummy trim
<b>4</b>	<b>Function</b>
70	Classroom/storeroom
50	Office
40	Privacy
<b>5</b>	<b>Reader</b>
<b>KP</b>	<b>Keypad</b>
<b>6</b>	<b>Lever</b>
ATH	Athens
BRK	Boardwalk
BRW	Broadway
LAT	Latitude
LON	Longitude
RHO	Rhodes
SPA	Sparta
TLR	Tubular

Available with tactile warning options

<b>7</b>	<b>Finish</b>
<b>626</b>	<b>Satin chrome</b>
605	Bright brass
606	Satin brass
612	Satin bronze
619	Satin nickel
625	Bright chrome
643e	Aged bronze
626AM	Satin chrome antimicrobial
<b>8</b>	<b>Lever cylinder type</b>
<b>PD</b>	<b>Schlage 6-pin Conventional key-in-lever cylinder</b>
See price book for other SFIC, FSIC and less cylinder options available. Compatible with Schlage, Sargent, Corbin, Medeco and Yale.	
<b>9</b>	<b>Keyway type</b>
<b>S123</b>	<b>Everest 29</b>
See price book for other available keyway options including restricted keyways in Primus XP high security cylinders and master keying	
<b>10</b>	<b>Handing</b>
<b>RH</b>	<b>Right handed</b>
RHR	Right handed reverse
LH	Left handed
LHR	Left handed reverse
Field reversible	

<b>11</b>	<b>Backset and latch or armor front</b>
<b>Cylindrical</b>	
<b>13-049</b>	<b>2 3/4" backset, deadlatch, square corner, 1 1/8" x 2 1/4"</b>
<b>Mortise</b>	
<b>09-663</b>	<b>Armor front, 1 1/4" wide, square corner</b>
<b>12</b>	<b>Strike</b>
<b>Cylindrical</b>	
<b>10-025</b>	<b>1 3/16" lip, ANSI, no box, 1 1/4" x 4 7/8"</b>
<b>Mortise</b>	
<b>10-072</b>	<b>1 3/16" lip, 1 1/4" x 4 7/8" square corner, box</b>
See price book for other available strikes	
<b>13</b>	<b>Door thickness</b>
<b>1 3/4"</b>	
Other thicknesses available between 1 3/8" and 2 3/4"	
See price book for details	

## Lever styles

Conventional cylinders shown, SFIC and FSIC also available.

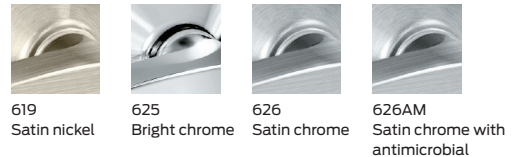


## Finishes

Warm tone finishes



Cool tone finishes



Allegion, the Allegion logo, Schlage, the Schlage logo, Von Duprin and Falcon are trademarks of Allegion plc, its subsidiaries and/or affiliates in the United States and other countries. All other trademarks are the property of their respective owners.

## About Allegion

Allegion (NYSE: ALLE) is a global pioneer in safety and security, with leading brands like CISA®, Interflex®, LCN®, Schlage®, SimonsVoss® and Von Duprin®. Focusing on security around the door and adjacent areas, Allegion produces a range of solutions for homes, businesses, schools and other institutions. Allegion is a \$2 billion company, with products sold in almost 130 countries. For more, visit [www.allegion.com](http://www.allegion.com).

KRYPTONITE ■ LCN ■ **SCHLAGE** ■ STEELCRAFT ■ VON DUPRIN



© 2019 Allegion  
004186, Rev.12/19  
[www.allegion.com/us](http://www.allegion.com/us)



**SCHLAGE**

## CO-200

Standalone electronic lock



Images shown are not to scale.

### Overview

The CO Series is the ideal solution for customers seeking the added security and convenience of electronic access control without the cost or complexity of a fully networked system.

The CO-200 is computer or manually programmable with users rights stored on the lock. The Handheld Device (HHD) used in conjunction with your access control software, allows you to easily add or delete users and retrieve audits.

By issuing electronic credentials you can minimize the number of mechanical keys issued which protects the integrity of your key system. A variety of credential readers are also available including keypad only, magnetic stripe, and proximity. The magnetic stripe and proximity readers are also available with keypad for the added security of dual authentication.

Cylindrical, mortise, mortise deadbolt, and exit trim chassis options are available as well as a wide variety of finishes and levers to suite with your existing hardware.

Mechanical key override is standard and compatible with multiple cylinder types. The CO Series is also compatible with many popular brands and types of exit devices.

The CO Series has been tested the highest standards in the industry to ensure quality and reliability you have come to expect from Schlage. The CO Series is ANSI/BHMA A156.25, ANSI/BHMA Grade 1 certified and UL 294 Listed.

### Features and benefits

- Computer programmable with audit trail
- Up to 2000 users and up to 2000 audits<sup>1</sup>
- Up to 32 holidays and 16 time zones<sup>1</sup>
- ANSI/BHMA A156.25, ANSI/BHMA Grade 1 certified, UL 294 listed, FL12400<sup>2</sup>, FL1591<sup>2</sup>, FL13013<sup>2</sup> and FL14482B<sup>2</sup>
- User rights stored on the lock
- The ability to add and delete users at the lock
- Available in cylindrical, mortise, mortise deadbolt, and exit trim
- Compatible with major brands of key systems and exit devices
- Classroom/storeroom, office, and privacy functions available
- Programmable option for lighted occupancy indication<sup>3</sup>
- LED indicator visually communicates lock status

<sup>1</sup> Depending on access control software.

<sup>2</sup> Applies to cylindrical and mortise chassis only

<sup>3</sup> Available on privacy function locks manufactured after February 2019 with firmware version CO.A.30 or higher.

## CO-200 electronic lock specifications

Users	Up to 2,000 <sup>1</sup>
Audits	Up to 2,000 <sup>1</sup>
Credential verification time	≤ 1 second
Visual/audible communications	Tri-colored LED's and audible indicators
Power supply	4 AA batteries (standard off the shelf: included)
Voltage range	4 VDC to 7 VDC
Max current requirement	Up to 250 mA
Battery life	Up to 2 yrs with 4AA batteries
Operating temperature - exterior	-31° to 151°F (-35° to 66°C)
Operating temperature - interior	32° to 120°F (0° to 49°C) due to batteries
Operating humidity	0 - 100% non-condensing
Certifications	ANSI/BHMA A156.25, ANSI/BHMA Grade 1, UL 294, UL 10C, UL Canada, FCC Part 15, ADA and RoHS

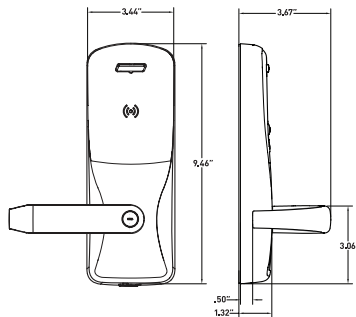
### Functions

- Classroom/storeroom<sup>2</sup>
- Office<sup>2</sup>
- Privacy<sup>3</sup>

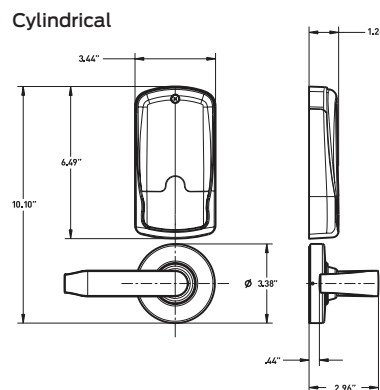
### Standard status signals

- Mechanical key override
- Battery status - indicated by flashing LED lights
- Access granted/access denied
- Programming commands
- Occupied - indicated by red LED light (privacy function only)

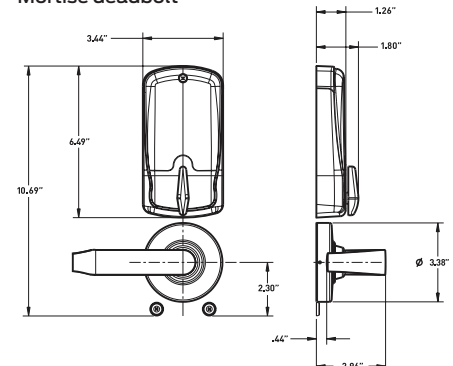
### Exterior of the lock



### Interior of the lock



### Mortise deadbolt



## Schlage Utility Software on Handheld Device

The Schlage Utility Software (SUS) on the Handheld Device (HHD) provides an easy way to manage people, audits and locks for simple access control management.

### Schlage Utility Software

- Initialize lock and accessories
- Field configure devices
  - Credential reader formats
  - Lock function
  - Unlock period
  - Failure mode
  - Audible alarm on/off
- Service and diagnostics
  - Battery status
  - Validate hardware and software revision
  - Troubleshooting status signals
- New device template simplifies configuration

### HHD

- 3.5 inch display
- Touch screen/keypad backlit
- 32-bit processor
- OS: Windows Mobile 6.5
- Memory: 128 MB RAM/ 256 MB ROM
- Battery: rechargeable Li-ion
- Dimensions: 5.1" x 2.8" x 0.65" (13.0 cm x 7.2 cm x 1.7 cm)
- Weight: 0.42 lbs (190 g)
- 5 ft (1.2 m) drop to steel surface, 2 drops per 6 sides



The HHD connects with AD Series and CO Series locks and accessories via the USB interface

For replacement HHD devices with a serial cable connection, please contact Technical Support at 877.671.7011.

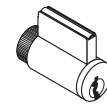
<sup>1</sup> Depending on access control software.

<sup>2</sup> Classroom/storeroom and office function not available with mortise deadbolt option. To ensure safety, all functions always allow for free egress.

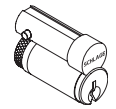
<sup>3</sup> Door position switch is required for cylindrical and mortise chassis with privacy function.

## Mechanical specifications

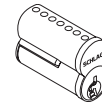
Chassis	Cylindrical	Mortise	Exit trim
Handing	Handed to order, field reversible		
ANSI standard (Meets or exceeds)	A156.25 A156.2 Series 4000 Grade 1	A156.25 A156.13 Series 1000 Grade 1	A156.25 A156.3
Door thickness	1 3/4" standard, 1 3/8" to 2 3/4" optional (available in 1/8" increments)		
Backset	Standard: 2 3/4" Optional: 2 3/8", 3 3/4", 5"	2 3/4" only	Defined by exit device
Latch bolt	Standard: 1/2" throw Optional: 3/4" throw	Standard: 3/4" throw Optional: 1" throw on mortise deadbolt	Provided by exit device
Levers	Pressure cast zinc, plated		
Strike	Standard: 1 3/16" lip, ANSI, 1 1/4" x 4 7/8" Optional: Additional configurations available please see price book		Provided by exit device
Cylinder and keys	Schlage 6-pin Everest 29 S123 keyway Conventional cylinder with two patented keys standard. Additional options available including SFIC, FSIC and competitor brands. See lever and cylinder compatibility data sheet (010432)		
Exit device compatibility	See CO Series exit trim compatibility data sheet (004183)		



Full cylinder



Full Size Interchangeable Core



Small Format Interchangeable Core

The combo proximity keyfobs with iButton® option are available which allows you to manage proximity and iButton® technologies in the same facility.



## Reader specifications

	Keypad	Magnetic stripe	Proximity
Frequency standards	N/A	ABA, ISO76XX standard high and low coercivity	125 kHz
Maximum read range	N/A	N/A (swipe card)	up to 1.25"
Compatibility	3-6 digit pin code	Triple track reader (1, 2 or 3), field configurable	Schlage, ISONAS™, HID®, GE/CASI ProxLite™ and AWID®
Compatible Schlage credentials	N/A	Configurable to read complete track 1, 2 or 3	125 kHz clamshell, ISO card, ISO card with magnetic stripe, keyfob, and PVC disk (7000 Series)
Style/layout	12-button, 3x4 matrix	Option for 12-button, 3x4 matrix	Option for 12-button, 3x4 matrix

Available  
CO-200  
reader  
options



Keypad



Proximity  
KEYPAD



Proximity



Magnetic stripe



Magnetic stripe  
KEYPAD

# Ordering information

Available through one of our GSA schedule 84 approved distributions

Required fields							Factory defaults and options					
CO-200-CY-70-PR-SPA-626-PD-S123-RH-13-049-10-025-1 3/4												
Series	Class	Chassis	Function	Reader	Lever style	Finish	Lever cylinder	Keying type	Handing	Backset and latch	Strike	Door thickness
1	2	3	4	5	6	7	8	9	10	11	12	13

Selections correspond with the numbers above

Standard options are indicated in bold. See price book for specific configuration options.

<b>3</b>	<b>Chassis</b>
CY	Cylindrical
MS	Mortise
MD	Mortise deadbolt
993R	Exit trim – Rim/CVC/CVR
993S	Exit trim – SVR
993M	Exit trim – mortise
993DT	Exit dummy trim
<b>4</b>	<b>Function</b>
70	Classroom/storeroom
50	Office
40	Privacy
<b>5</b>	<b>Reader</b>
<b>KP</b>	<b>Keypad</b>
MS	Magnetic stripe
MSK	Magnetic stripe + keypad
PR	Proximity
PRK	Proximity + keypad
<b>6</b>	<b>Lever</b>
ATH	Athens
BRK	Boardwalk
BRW	Broadway
LAT	Latitude
LON	Longitude
RHO	Rhodes
SPA	Sparta
TLR	Tubular

Available with tactile warning options

<b>7</b>	<b>Finish</b>
<b>626</b>	<b>Satin chrome</b>
605	Bright brass
606	Satin brass
612	Satin bronze
619	Satin nickel
625	Bright chrome
643e	Aged bronze
626AM	Satin chrome antimicrobial
<b>8</b>	<b>Lever cylinder type</b>
<b>PD</b>	<b>Schlage 6-pin Conventional key-in-lever cylinder</b>

See price book for other SFIC, FSIC and less cylinder options available. Compatible with Schlage, Sargent, Corbin, Medeco and Yale.

<b>9</b>	<b>Keyway type</b>
<b>S123</b>	<b>Everest 29</b>

See price book for other available keyway options including restricted keyways in Primus XP high security cylinders and master keying

<b>10</b>	<b>Handing</b>
<b>RH</b>	<b>Right handed</b>
RHR	Right handed reverse
LH	Left handed
LHR	Left handed reverse

Field reversible

<b>11</b>	<b>Backset and latch or armor front</b>
<b>Cylindrical</b>	
<b>13-049</b>	<b>2 3/4" backset, deadlatch, square corner, 1 1/8" x 2 1/4"</b>
<b>Mortise</b>	
<b>09-663</b>	<b>Armor front, 1 1/4" wide, square corner</b>

See price book for mortise deadbolt and other backset and latch options or armor front options

<b>12</b>	<b>Strike</b>
<b>Cylindrical</b>	
<b>10-025</b>	<b>1 3/16" lip, ANSI, no box, 1 1/4" x 4 7/8"</b>
<b>Mortise</b>	
<b>10-072</b>	<b>1 3/16" lip, 1 1/4" x 4 7/8" square corner, box</b>

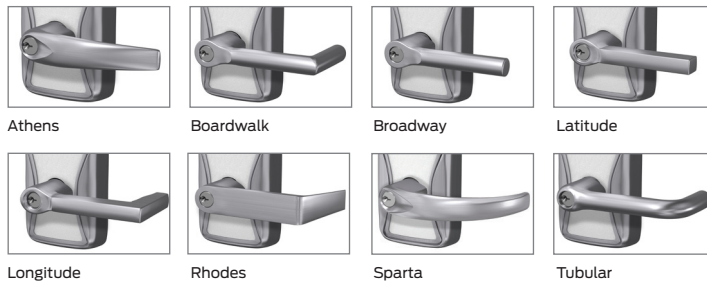
See price book for other available strikes

<b>13</b>	<b>Door thickness</b>
<b>1 3/4"</b>	
Other thicknesses available between 1 3/8" and 2 3/4"	

See price book for detail

## Lever styles

Conventional cylinders shown, SFIC and FSIC also available.

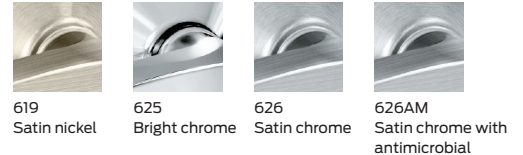


## Finishes

Warm tone finishes



Cool tone finishes



Allegion, the Allegion logo, Schlage, the Schlage logo, XceedID and Falcon are trademarks of Allegion plc, its subsidiaries and/or affiliates in the United States and other countries. All other trademarks are the property of their respective owners.

## About Allegion

Allegion (NYSE: ALLE) is a global pioneer in safety and security, with leading brands like CISA®, Interflex®, LCN®, Schlage®, SimonsVoss® and Von Duprin®. Focusing on security around the door and adjacent areas, Allegion produces a range of solutions for homes, businesses, schools and other institutions. Allegion is a \$2 billion company, with products sold in almost 130 countries. For more, visit [www.allegion.com](http://www.allegion.com).

KRYPTONITE ■ LCN ■ SCHLAGE ■ STEELCRAFT ■ VON DUPRIN



© 2020 Allegion  
004185, Rev. 02/20  
[www.allegion.com/us](http://www.allegion.com/us)



## CO-220

Standalone classroom lockdown solution with remote fob and visual indicator



Images shown are not to scale and are subject to change.

### Overview

The CO Series standalone classroom lockdown solution with remote fob and visual indicator is the ideal solution for customers who require the ability to initiate immediate local lockdown of up to 10 paired locks within range in the event of an emergency. The CO-220 classroom lockdown solution with remote fob and visual indicator can be put into a lockdown state (panic mode) from within the room by authorized staff members utilizing a pre-paired remote fob.

The CO-220 classroom lockdown solution with remote fob and visual indicator is computer or manually programmable with user rights stored on the lock. The Handheld Device (HHD), used in conjunction with your access control software, allows you to easily add or delete users and retrieve audits.

By issuing electronic credentials, you can minimize the number of mechanical keys issued which protects the integrity of your key system. A variety of credential readers are also available, including keypad, magnetic stripe and proximity.

Cylindrical, mortise and exit trim chassis options are available as well as a wide variety of finishes and levers to suite with your existing hardware. Mechanical key override is standard and compatible with multiple cylinder types.

The CO Series has been tested to the highest standards in the industry to ensure the quality and reliability you have come to expect from Schlage. The CO Series is ANSI/BHMA A156.25, ANSI/BHMA Grade 1 certified, and UL 10C Listed.

### Features and benefits

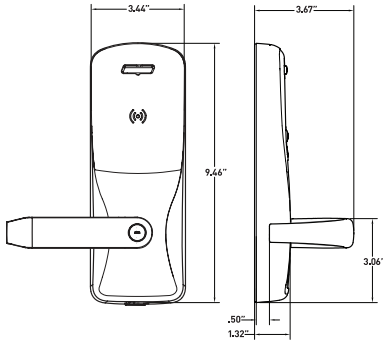
- Includes one pre-paired remote lockdown fob
  - Typical range of up to 75' on secured side and up to 25' on exterior side of the door<sup>1</sup>
- Continuous internal LED illumination during lockdown/panic mode
- In lockdown/panic mode, only fob, key or administrative/safety official credentials will override lock
- Always free egress even in lockdown/panic mode
- Manually or computer programmable with audit trail
- Up to 2000 users and up to 2000 audits<sup>2</sup>
- Up to 32 holidays and 16 time zones<sup>2</sup>
- ANSI/BHMA A156.25, ANSI/BHMA Grade 1 certified, UL 10C, FL12400<sup>3</sup>, FL1591<sup>3</sup>, FL13013<sup>3</sup> and FL14482<sup>3</sup> listed
- User rights stored on the lock
- The ability to add and delete users at the lock
- Available in cylindrical, mortise and exit trim options
- Compatible with major brands of key systems

<sup>1</sup> Depending on building construction

<sup>2</sup> Depending on standalone access control software

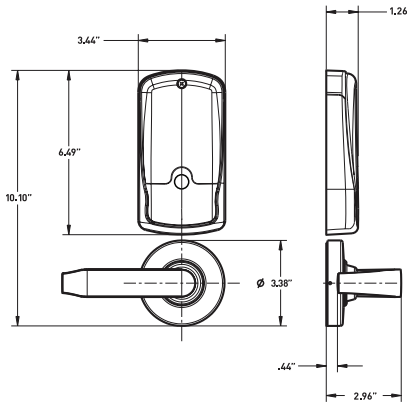
<sup>3</sup> Applies to cylindrical and mortise chassis only

### Exterior of the lock



### Interior of the lock

#### Cylindrical



## CO-220 electronic lock specifications

Users	Up to 2,000 <sup>1</sup>
Audits	Up to 2,000 <sup>1</sup>
Credential verification time	≤ 1 second
Visual/audible communications	Tri-colored LED's and audible indicators
Power supply	4 AA batteries (standard off the shelf: included)
Voltage range	4 VDC to 7 VDC
Max current requirement	Up to 250 mA
Battery life	Up to 2 yrs with 4AA batteries
Operating temperature - exterior	-31° to 151°F (-35° to 66°C)
Operating temperature - interior	32° to 120°F (0° to 49°C) due to batteries
Operating humidity	0 - 100% non-condensing
Certifications	ANSI/BHMA A156.25, ANSI/BHMA Grade 1, UL 10C, UL Canada, FCC Part 15, ADA and RoHS

### Functions

- Classroom security<sup>2</sup>

### Standard status signals

- Mechanical key override
- Battery status - indicated by blinking lights
- Access granted/access denied
- Programming commands

## Fob specifications

Battery life	Up to 2 years with a CR2025 coin cell battery
--------------	---

- Remote lockdown fob (part #4485001) is shipped standard with the lock and can be paired to a single lock.
- Remote lockdown fob (part #24744856) is sold separately as an accessory and can be paired to up to ten locks.
- Each lock can be paired to up to ten fobs.

## Schlage Utility Software on Handheld Device

The Schlage Utility Software (SUS) on the Handheld Device (HHD) provides an easy way to manage people, audits and locks for simple access control management.

#### Schlage Utility Software

- Initialize lock and accessories
- Field configure devices
  - Credential reader formats
  - Lock function
  - Unlock period
  - Failure mode
  - Audible alarm on/off
- Service and diagnostics
  - Battery status
  - Validate hardware and software revision
  - Troubleshooting status signals
- New device template simplifies configuration

#### HHD

- 3.5 inch display
- Touch screen/keypad backlit
- 32-bit processor
- OS: Windows Mobile 6.5
- Memory: 128 MB RAM/ 256 MB ROM
- Battery: rechargeable Li-ion
- Dimensions: 5.1" x 2.8" x 0.65" (13.0 cm x 7.2 cm x 1.7 cm)
- Weight: 0.42 lbs (190 g)
- 5 ft (1.2 m) drop to steel surface, 2 drops per 6 sides



The HHD connects with AD Series and CO Series locks and accessories via the USB interface

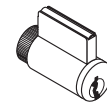
For replacement HHD devices with a serial cable connection, please contact Technical Support at 877.671.7011.

<sup>1</sup> Depending on access control software

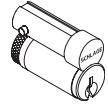
<sup>2</sup> To ensure safety, all functions always allow for free egress

## Mechanical specifications

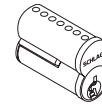
Chassis	Cylindrical	Mortise	Exit trim
Handing	Handed to order, field reversible		
ANSI standard (Meets or exceeds)	A156.25 A156.2 Series 4000 Grade 1	A156.25 A156.13 Series 1000 Grade 1	A156.25 A156.3
Door thickness	1 3/4" standard, 1 3/8" to 2 3/4" optional (available in 1/8" increments)		
Backset	Standard: 2 3/4" Optional: 2 3/8", 3 3/4", 5"	2 3/4" only	Defined by exit device
Latch bolt	Standard: 1/2" throw Optional: 3/4" throw	Standard: 3/4" throw	Provided by exit device
Levers	Pressure cast zinc, plated		
Strike	Standard: 1 3/16" lip, ANSI, 1 1/4" x 4 7/8" Optional: Additional configurations available please see price book		Provided by exit device
Cylinder and keys	Schlage 6-pin Everest 29 S123 keyway Conventional cylinder with two patented keys standard. Additional options available including SFIC, FSIC and competitor brands. See lever and cylinder compatibility data sheet (010432)		
Exit device compatibility	See CO Series exit trim compatibility data sheet (004183)		



Full cylinder



Full Size Interchangeable Core



Small Format Interchangeable Core

## Reader specifications

	Keypad	Magnetic stripe	Proximity
Frequency standards	N/A	ABA, ISO76XX standard high and low coercivity	125 kHz
Maximum read range	N/A	N/A (swipe card)	up to 1.25"
Compatibility	3-6 digit pin code	Triple track reader (1, 2 or 3), field configurable	Schlage, ISONAS®, HID®, GE/CASI ProxLite™ and AWID®
Compatible Schlage credentials	N/A	Configurable to read complete track 1, 2 or 3	125 kHz clamshell, ISO card, ISO card with magnetic stripe, keyfob, and PVC disk (7000 Series)
Style/layout	12-button, 3x4 matrix	Option for 12-button, 3x4 matrix	Option for 12-button, 3x4 matrix

Available  
CO-220  
reader  
options



Keypad



Proximity  
KEYPAD



Proximity



Magnetic Stripe



Magnetic Stripe  
KEYPAD



# Ordering information

Required fields							Factory defaults and options					
CO-220-CY-75-PR-SPA-626-PD-S123-RH-13-049-10-025-1 3/4												
Series	Class	Chassis	Function	Reader	Lever style	Finish	Lever cylinder	Keying type	Handing	Backset and latch	Strike	Door thickness
1	2	3	4	5	6	7	8	9	10	11	12	13

Selections correspond with the numbers above

Standards options are indicated in bold. See price book for specific configuration options.

<b>3</b>	<b>Chassis</b>
CY	Cylindrical
MS	Mortise
993R	Exit trim- Rim/CVC/CVR
993M	Exit trim- mortise
993DT	Exit dummy trim
<b>4</b>	<b>Function</b>
75	Classroom Security
<b>5</b>	<b>Reader</b>
<b>KP</b>	<b>Keypad</b>
PR	Proximity
PRK	Proximity + keypad
MS	Magnetic stripe
MSK	Magnetic stripe + keypad
<b>6</b>	<b>Lever</b>
ATH	Athens
BRK	Boardwalk
BRW	Broadway
LAT	Latitude
LON	Longitude
RHO	Rhodes
SPA	Sparta
TLR	Tubular
Available with tactile warning options	

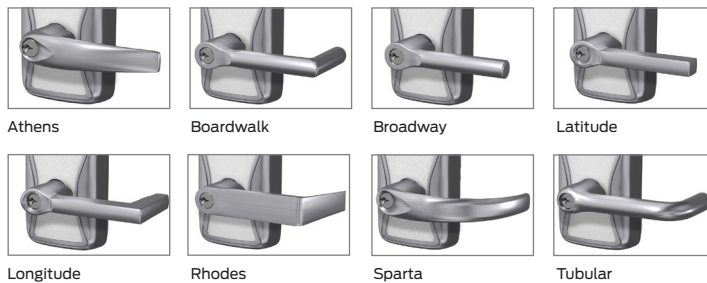
<b>7</b>	<b>Finish</b>
<b>626</b>	<b>Satin chrome</b>
605	Bright brass
606	Satin brass
612	Satin bronze
619	Satin nickel
625	Bright chrome
643e	Aged bronze
626AM	Satin chrome antimicrobial
<b>8</b>	<b>Lever cylinder type</b>
<b>PD</b>	<b>Schlage 6-pin Conventional key-in-lever cylinder</b>
See price book for other SFIC, FSIC and less cylinder options available. Compatible with Schlage®, Sargent®, Corbin Russwin, Medeco® and Yale®.	
<b>9</b>	<b>Keyway type</b>
<b>S123</b>	<b>Everest 29</b>
See price book for other available keyway options including restricted keyways in Primus XP high security cylinders and master keying	
<b>10</b>	<b>Handing</b>
<b>RH</b>	<b>Right handed</b>
RHR	Right handed reverse
LH	Left handed
LHR	Left handed reverse

Field reversible

<b>11</b>	<b>Backset and latch or armor front</b>
<b>Cylindrical</b>	
<b>13-049</b>	<b>2 3/4" backset, deadlatch, square corner, 1 1/8" x 2 1/4"</b>
<b>Mortise</b>	
<b>09-663</b>	<b>Armor front, 1 1/4" wide, square corner</b>
See price book for mortise deadbolt and other backset and latch options or armor front options	
<b>12</b>	<b>Strike</b>
<b>Cylindrical</b>	
<b>10-025</b>	<b>1 3/16" lip, ANSI, no box, 1 1/4" x 4 7/8"</b>
<b>Mortise</b>	
<b>10-072</b>	<b>1 3/16" lip, 1 1/4" x 4 7/8" square corner, box</b>
See price book for other available strikes	
<b>13</b>	<b>Door thickness</b>
<b>1 3/4"</b>	
Other thicknesses available between 1 3/8" and 2 3/4"	
See price book for detail	

## Lever styles

Conventional cylinders shown, SFIC and FSIC also available.



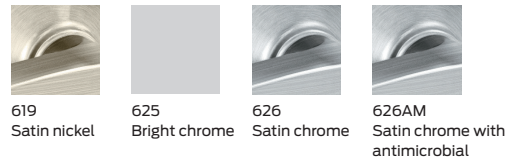
Allegion, the Allegion logo, Schlage, the Schlage logo, and Falcon are trademarks of Allegion plc, its subsidiaries and/or affiliates in the United States and other countries. All other trademarks are the property of their respective owners.

## Finishes

Warm tone finishes



Cool tone finishes



## About Allegion

Allegion (NYSE: ALLE) is a global pioneer in safety and security, with leading brands like CISA®, Interflex®, LCN®, Schlage®, SimonsVoss® and Von Duprin®. Focusing on security around the door and adjacent areas, Allegion produces a range of solutions for homes, businesses, schools and other institutions. Allegion is a \$2 billion company, with products sold in almost 130 countries. For more, visit [www.allegion.com](http://www.allegion.com).

KRYPTONITE ■ LCN ■ SCHLAGE ■ STEELCRAFT ■ VON DUPRIN



© 2019 Allegion  
009575, Rev. 02/19  
[www.allegion.com/us](http://www.allegion.com/us)

**SCHLAGE**

# CO-250

Standalone electronic lock



Images shown are not to scale.

## Overview

The CO Series is the ideal solution for customers seeking the added security and convenience of electronic access control without the cost or complexity of a fully networked system.

The CO-250 is a computer programmable offline lock that stores user rights on the magnetic stripe credential, and captures an audit trail in the lock. The CO-250 provides dynamic rights management, meaning you do not have to visit the door to change user access rights. This makes it a cost effective solution for offline environments with a large number of users. The CO-250 also allows you to retrieve audits by using the Handheld Device (HHD) in conjunction with your access control software.

The CO-250 from Schlage offers you many choices. Cylindrical, mortise, mortise deadbolt, and exit trim chassis options are available as well as a wide variety of finishes and levers to suite with your existing hardware.

Mechanical key override is standard and compatible with multiple cylinder types. The CO Series is also compatible with many popular brands of exit devices.

The CO Series has been tested the highest standards in the industry to ensure quality and reliability you have come to expect from Schlage. The CO Series is ANSI/BHMA A156.25, ANSI/BHMA Grade 1 certified and UL 294 Listed.

## Features and benefits

- Computer programmable with audit trail
- Unlimited number of users and up to 4000 audits<sup>1</sup>
- Available with magnetic stripe and magnetic stripe plus keypad
- Up to 32 holidays and 16 time zones<sup>1</sup>
- ANSI/BHMA A156.25, ANSI/BHMA Grade 1 certified, UL 294 listed, FL12400<sup>2</sup>, FL1591<sup>2</sup>, FL13013<sup>2</sup> and FL14482<sup>2</sup>
- User rights stored on the magnetic stripe credential
- The ability to easily add and delete users
- Available in cylindrical, mortise, mortise deadbolt, and exit trim
- Compatible with major brands of key systems and exit devices
- Classroom/storeroom, office, and privacy functions available

<sup>1</sup> Depending on access control software.

<sup>2</sup> Applies to cylindrical and mortise chassis only

## CO-250 electronic lock specifications

Users	Unlimited <sup>1</sup>
Audits	Up to 4,000 <sup>1</sup>
Credential verification time	≤ 1 second
Visual/audible communications	Tri-colored LED's and audible indicators (field configurable)
System Interface	Handheld device
Power supply	4 AA batteries
Battery life	Up to 2 yrs with 4 AA batteries
Operating temperature - exterior	-31° to 151°F (-35° to 66°C)
Operating temperature - interior	32° to 120°F (0° to 49°C) due to batteries
Operating humidity	0 - 100% non-condensing
Certifications	ANSI/BHMA A156.25, ANSI/BHMA Grade 1, UL 294, UL 10 C, UL Canada, FCC Part 15, ADA and RoHS
Accessories	Handheld Device (HHD), magnetic stripe credential encoder (CL-Encoder 2)

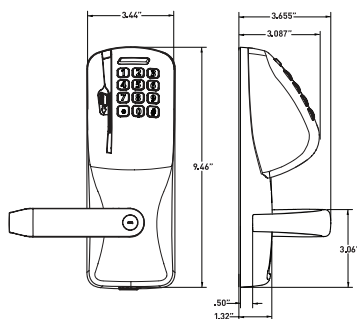
### Functions

- Classroom/storeroom<sup>2</sup>
- Office<sup>2</sup>
- Privacy<sup>3</sup>

### Standard status signals

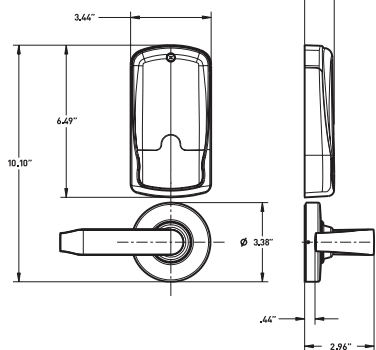
- Mechanical key override
- Battery status
- Access granted/access denied
- Programming commands

#### Exterior of the lock

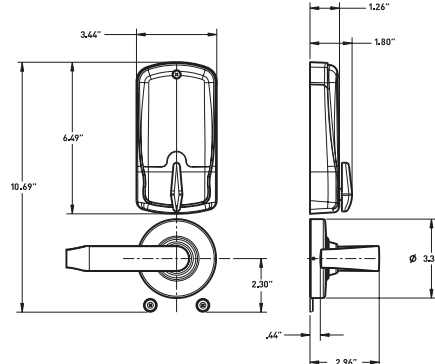


#### Interior of the lock

##### Cylindrical



##### Mortise deadbolt



## Schlage Utility Software on Handheld Device

The Schlage Utility Software (SUS) on the Handheld Device (HHD) provides an easy way to manage people, audits and locks for simple access control management.

#### Schlage Utility Software

- Initialize lock and accessories
- Field configure devices
  - Credential reader formats
  - Lock function
  - Unlock period
  - Failure mode
  - Audible alarm on/off
- Service and diagnostics
  - Battery status
  - Validate hardware and software revision
  - Troubleshooting status signals
- New device template simplifies configuration

#### HHD

- 3.5 inch display
- Touch screen/keypad backlit
- 32-bit processor
- OS: Windows Mobile 6.5
- Memory: 128 MB RAM/ 256 MB ROM
- Battery: rechargeable Li-ion
- Dimensions: 5.1" x 2.8" x 0.65" (13.0 cm x 7.2 cm x 1.7 cm)
- Weight: 0.42 lbs (190 g)
- 5 ft (1.2 m) drop to steel surface, 2 drops per 6 sides



The HHD connects with AD Series and CO Series locks and accessories via the USB interface

For replacement HHD devices with a serial cable connection, please contact Technical Support at 877.671.7011.

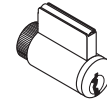
<sup>1</sup> Depending on access control software.

<sup>2</sup> Classroom/storeroom and office function not available with mortise deadbolt option. To ensure safety, all functions always allow for free egress.

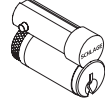
<sup>3</sup> Door position switch is required for cylindrical and mortise chassis with privacy function.

## Mechanical specifications

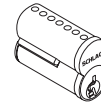
Chassis	Cylindrical	Mortise	Exit trim
Handing	Handed to order, field reversible		
ANSI standard (Meets or exceeds)	A156.25 A156.2 Series 4000 Grade 1	A156.25 A156.13 Series 1000 Grade 1	A156.25 A156.3
Door thickness	1 3/4" standard, 1 3/8" to 2 3/4" optional (available in 1/8" increments)		
Backset	Standard: 2 3/4" Optional: 2 3/8", 3 3/4", 5"	2 3/4" only	Defined by exit device
Latch bolt	Standard: 1/2" throw Optional: 3/4" throw	Standard: 3/4" throw Optional: 1" throw on mortise deadbolt	Provided by exit device
Levers	Pressure cast zinc, plated		
Strike	Standard: 1 3/16" lip, ANSI, 1 1/4" x 4 7/8" Optional: Additional configurations available please see price book		Provided by exit device
Cylinder and keys	Schlage 6-pin Everest 29 S123 keyway Conventional cylinder with two patented keys standard. Additional options available including SFIC, FSIC and competitor brands. See lever and cylinder compatibility data sheet (010432)		
Exit device compatibility	See CO Series exit trim compatibility data sheet (004183)		



Full cylinder



Full Size Interchangeable Core



Small Format Interchangeable Core

Available  
CO-250  
reader  
specifications



### Magnetic stripe

- KEYPAD
- Triple track reader (1, 2 or 3), field configurable
- ABA, ISO76XX standard
- 12 button, 3x4 matrix keypad



### Magnetic stripe

- Triple track reader (1, 2 or 3), field configurable
- ABA, ISO76XX standard

# Ordering information

Available through one of our GSA schedule 84 approved distributions

Required fields						Factory defaults and options								
CO	-250	-CY	-70	-MS	-SPA	-626	-PD	-S123	-RH	-13	-049	-10	-025	-1 3/4
Series	Class	Chassis	Function	Reader	Lever style	Finish	Lever cylinder	Keying type	Handing	Backset and latch	Strike	Door thickness		
1	2	3	4	5	6	7	8	9	10	11	12	13		

Selections correspond with the numbers above

Standards options are indicated in bold. See price book for specific configuration options.

<b>3</b>	<b>Chassis</b>
CY	Cylindrical
MS	Mortise
MD	Mortise deadbolt
993R	Exit trim – Rim/CVC/CVR
993S	Exit trim – SVR
993M	Exit trim – mortise
993DT	Dummy exit trim
<b>4</b>	<b>Function</b>
70	Classroom/storeroom
50	Office
40	Privacy
<b>5</b>	<b>Reader</b>
<b>MS</b>	<b>Magnetic stripe</b>
MSK	Magnetic stripe + keypad
<b>6</b>	<b>Lever</b>
ATH	Athens
BRK	Boardwalk
BRW	Broadway
LAT	Latitude
LON	Longitude
RHO	Rhodes
SPA	Sparta
TLR	Tubular

Available with tactile warning options

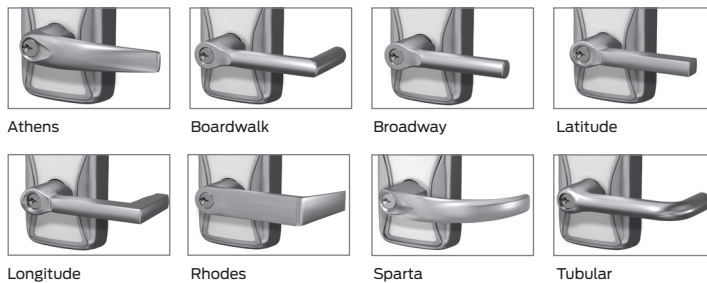
<b>7</b>	<b>Finish</b>
<b>626</b>	<b>Satin chrome</b>
605	Bright brass
606	Satin brass
612	Satin bronze
619	Satin nickel
625	Bright chrome
643e	Aged bronze
626AM	Satin chrome antimicrobial
<b>8</b>	<b>Lever cylinder type</b>
<b>PD</b>	<b>Schlage 6-pin Conventional key-in-lever cylinder</b>
See price book for other SFIC, FSIC and less cylinder options available. Compatible with Schlage®, Sargent®, Corbin Russwin, Medeco® and Yale®.	
<b>9</b>	<b>Keyway type</b>
<b>S123</b>	<b>Everest 29</b>
See price book for other available keyway options including restricted keyways in Primus XP high security cylinders and master keying	
<b>10</b>	<b>Handing</b>
<b>RH</b>	<b>Right handed</b>
RHR	Right handed reverse
LH	Left handed
LHR	Left handed reverse

Field reversible

<b>11</b>	<b>Backset and latch or armor front</b>
<b>Cylindrical</b>	
<b>13-049</b>	<b>2 3/4" backset, deadlatch, square corner, 1 1/8" x 2 1/4"</b>
<b>Mortise</b>	
<b>09-663</b>	<b>Armor front, 1 1/4" wide, square corner</b>
See price book for mortise deadbolt and other backset and latch options or armor front options	
<b>12</b>	<b>Strike</b>
<b>Cylindrical</b>	
<b>10-025</b>	<b>1 3/16" lip, ANSI, no box, 1 1/4" x 4 7/8"</b>
<b>Mortise</b>	
<b>10-072</b>	<b>1 3/16" lip, 1 1/4" x 4 7/8" square corner, box</b>
See price book for other available strikes	
<b>13</b>	<b>Door thickness</b>
<b>1 3/4"</b>	
Other thicknesses available between 1 3/8" and 2 3/4"	
See price book for details	

## Lever styles

Conventional cylinders shown, SFIC and FSIC also available.



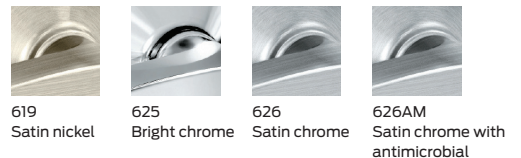
Allegion, the Allegion logo, Schlage, the Schlage logo, XceedID, and Falcon are trademarks of Allegion plc, its subsidiaries and/or affiliates in the United States and other countries. All other trademarks are the property of their respective owners.

## Finishes

Warm tone finishes



Cool tone finishes



## About Allegion

Allegion (NYSE: ALLE) is a global pioneer in safety and security, with leading brands like CISA®, Interflex®, LCN®, Schlage®, SimonsVoss® and Von Duprin®. Focusing on security around the door and adjacent areas, Allegion produces a range of solutions for homes, businesses, schools and other institutions. Allegion is a \$2 billion company, with products sold in almost 130 countries. For more, visit [www.allegion.com](http://www.allegion.com).

KRYPTONITE ■ LCN ■ **SCHLAGE** ■ STEELCRAFT ■ VON DUPRIN



© 2019 Allegion  
004184, Rev.12/19  
[www.allegion.com/us](http://www.allegion.com/us)



# CO Series

Exit Trim compatibility



## Overview

The CO Series offers 993 Exit Trim for use with compatible exit devices in retrofit or new construction applications. The 993 Exit Trim was designed to suite with CO Series cylindrical and mortise locksets to ensure that the facility remains aesthetically consistent. The CO Series 993 Exit Trim utilizes universal hardware to simplify installation of offline trim to a variety of exit devices, including Rim style from Von Duprin, Falcon, Sargent®, Precision™ Corbin Russwin®, Dorma® and Yale®

### Available Exit Trim styles:

- 993R – Rim, Concealed Vertical Rod or Concealed Vertical Cable (CVR/CVC for metal doors only)
- 993S – Surface vertical rod
- 993M – Mortise
- 993DT – Non-functioning dummy trim for exit

## Features and benefits

- Multiple credential reader options
- A wide variety of finishes and lever styles
- Powered by 4 AA batteries<sup>1</sup>
- Compatible with all Schlage Conventional, FSIC and SFIC formatted cylinders including many competitive OEM cylinders such as Sargent®, Corbin Russwin®, Medeco® and Yale®
- UL 294 Listed, ANSI/BHMA A156.25, ANSI/BHMA Grade 1 certified<sup>2</sup>

## Compatibility

Devices	CO-100/CO-200/CO-220 <sup>5</sup> /CO-250
Von Duprin 98/99 and 98/99XP Rim/SVR <sup>5</sup> /CVR <sup>3</sup> /CVC <sup>3</sup> /mortise	X
Von Duprin 22/22F Rim/SVR <sup>5</sup>	X
Falcon 25 Rim	X
Sargent® 80 <sup>4</sup> Rim	X
Precision™ 21 Rim (2100 converts to 21 with Precision's BP21 kit)	X
Yale® 7000 Rim	X
Corbin Russwin® 5000 Rim	X
Dorma® 9300 Rim	X

<sup>1</sup> Excluding dummy trim devices (993DT)

<sup>2</sup> UL 294 does not apply to dummy trim devices (993DT) or CO-220 locks

<sup>3</sup> Metal door only

<sup>4</sup> Narrow design and reversible Rim exits not compatible

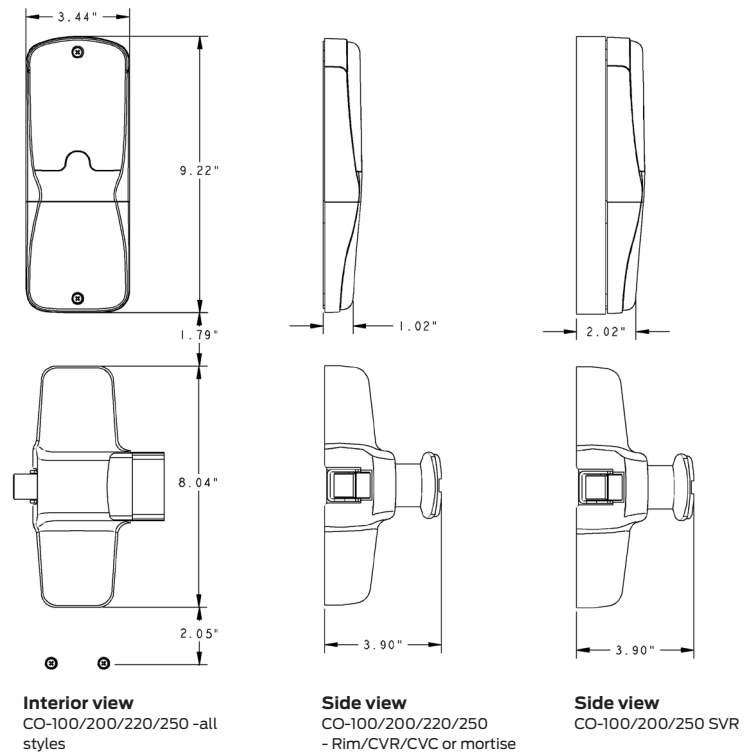
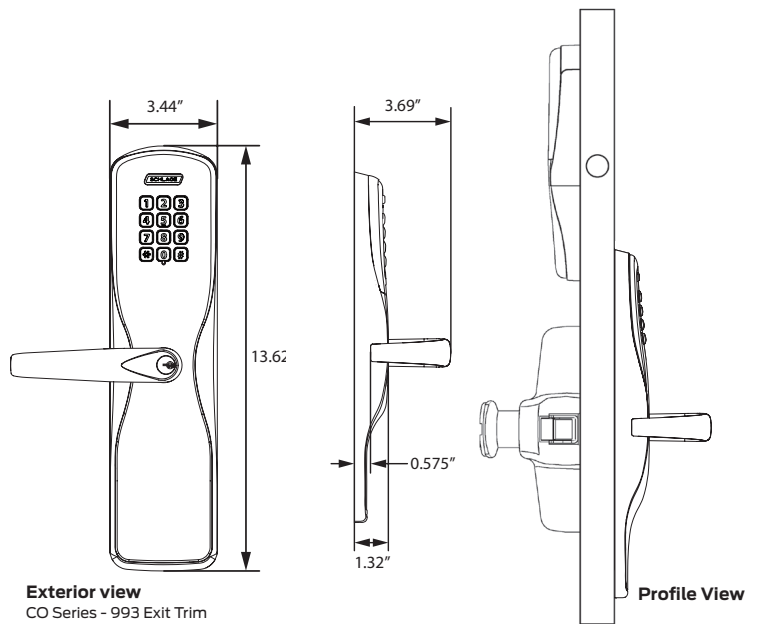
<sup>5</sup> CO-220 is not compatible with surface vertical rod (SVR) devices

## Compatibility

Reader options	CO-100	CO-200/CO-220	CO-250
KP keypad	X	X	
PR proximity		X	
PRK proximity + keypad		X	
MS magnetic stripe		X	X
MSK magnetic stripe + keypad		X	X

## Programming options

Reader options	CO-100	CO-200/CO-220	CO-250
Computer		X	X
Manual	X	X	



Note: (2) #7 fasteners with decorative washers located 11.88" below bottom edge of lock

Allegion, the Allegion logo, Falcon, Schlage, the Schlage logo and Von Duprin are trademarks of Allegion plc, its subsidiaries and/or affiliates in the United States and other countries. All other trademarks are the property of their respective owners.

## About Allegion

Allegion (NYSE: ALLE) is a global pioneer in safety and security, with leading brands like CISA®, Interflex®, LCN®, Schlage®, SimonsVoss® and Von Duprin®. Focusing on security around the door and adjacent areas, Allegion produces a range of solutions for homes, businesses, schools and other institutions. Allegion is a \$2 billion company, with products sold in almost 130 countries. For more, visit [www.allegion.com](http://www.allegion.com).

KRYPTONITE ■ LCN ■  ■ STEELCRAFT ■ VON DUPRIN



© 2019 Allegion  
004183, Rev. 12/19  
[www.allegion.com/us](http://www.allegion.com/us)





# AD Series and CO Series

Lever and cylinder compatibility



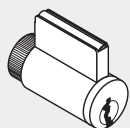
## Overview

AD Series and CO Series electronic locks come standard with the Schlage® 6-pin Everest 29™ S123 keyway and two patented keys. The Everest 29 keyway's patent-protected undercut design with protection through 2029 is available in open and restricted keyway families. Patented restricted keyways, such as the Everest 29 R and T families, deliver a higher level of security by requiring authorization to access blanks for duplication. Improve both administrative and physical security with the application of Primus XP cylinders and gain the option to also employ high security UL 437 cylinders. The new Everest 29 patent enables a key blank that is backwards compatible to legacy Everest keyways allowing Everest 29 keys to work with existing Everest systems aiding the key system migration process.

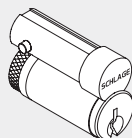
The AD Series and CO Series can also be ordered with other popular Schlage keyways or prepared to receive Falcon® Conventional key-in-lever cylinders or Small Format Interchangeable Core (SFIC) cylinders. Less cylinder options are available to provide compatibility with Conventional, FSIC or SFIC cylinders of other manufacturers including, Sargent®, Corbin Russwin®, Medeco® and Yale®

## Features and benefits

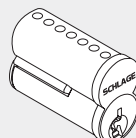
- Multiple credential reader options including keypad, proximity, magnetic stripe, multi-technology<sup>1</sup> and smart card<sup>1</sup>
- Wide variety of finishes and lever styles
- Cylindrical, mortise, mortise deadbolt and exit trim options available
- Compatible with all Schlage Conventional, FSIC and SFIC formatted cylinders including many competitive OEM cylinders
- AD and CO 993 exit trim is compatible with a variety of exit devices including rim style from Von Duprin, Falcon, Sargent®, Precision™, Corbin Russwin®, Dorma® and Yale®



Conventional  
key-in-lever  
PL  
L SAR L FA7



Full Size  
Interchangeable Core  
R J J SAR  
J CO6 J CO7 J MED  
J YA6 Y YA7



Small Format  
Interchangeable Core  
GB

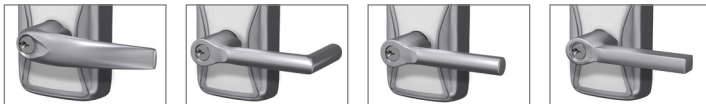
<sup>1</sup> Available on AD Series only.

## Lever and cylinder compatibility

Part number	Description	With cylinder	Pins	Cylinder type			Lever style							
				KIL	FSIC	SFIC	ATH	BRK	BRW	LAT	LON	RHO	SPA	TLR
P	Schlage® - Everest 29™ S123 (standard)	x	6	x			x	x	x	x	x		x	x
L	Schlage, Falcon®		6	x			x	x	x	x	x	x	x	x
R	Schlage - Everest 29 S123 (standard)	x	6		x		x	x	x	x	x	x	x	x
J	Schlage		6		x		x	x	x	x	x	x	x	x
G	Schlage Everest 29 R Family Keyways	x	7			x	x	x	x	x	x	x	x	x
B	Schlage, Falcon, Competitive OEM's		7			x	x	x	x	x	x	x	x	x
L FA7	Falcon		7	x				x	x	x	x	x	x	
L SAR	Sargent® (10L+11L)		6	x			x	x	x	x	x	x	x	x
J SAR	Sargent 6300		6		x		x	x	x	x	x	x	x	x
J CO6	Corbin® 8000		6		x		x	x	x	x	x	x	x	x
J CO7	Corbin 8000-7		7		x			x	x	x	x	x	x	x
J MED	Medeco® 32*0201		6		x			x	x	x	x	x	x	
J YA6	Yale® 1210 or Medeco 31*0100		6		x		x	x	x	x	x	x	x	x
J YA7	Yale 1220		7		x			x	x	x	x	x	x	

## Lever styles

Conventional cylinders shown, SFIC and FSIC also available.

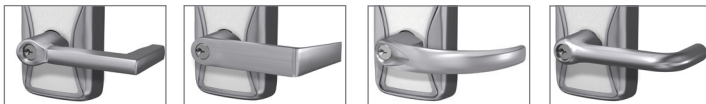


Athens

Boardwalk

Broadway

Latitude



Longitude

Rhodes

Sparta

Tubular

## Finishes

Warm tone finishes



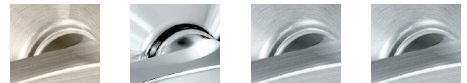
605  
Bright brass

606  
Satin brass

612  
Satin bronze

643e  
Aged bronze

Cool tone finishes



619  
Satin nickel

625  
Bright chrome

626  
Satin chrome

626AM  
Satin chrome with  
antimicrobial

Allegion, the Allegion logo, Schlage, the Schlage logo, Von Duprin, Falcon and Everest 29 are trademarks of Allegion plc, its subsidiaries and/or affiliates in the United States and other countries. All other trademarks are the property of their respective owners.

## About Allegion

Allegion (NYSE: ALLE) is a global pioneer in safety and security, with leading brands like CISA®, Interflex®, LCN®, Schlage®, SimonsVoss® and Von Duprin®. Focusing on security around the door and adjacent areas, Allegion produces a range of solutions for homes, businesses, schools and other institutions. Allegion is a \$2 billion company, with products sold in almost 130 countries. For more, visit [www.allegion.com](http://www.allegion.com).

KRYPTONITE ■ LCN ■  ■ STEELCRAFT ■ VON DUPRIN



ALLEGION™

© 2020 Allegion  
010432, Rev. 09/20  
[www.allegion.com/us](http://www.allegion.com/us)

**SCHLAGE**

# CT5000

Offline controller



## Overview

The CT5000 is an offline single opening controller designed for applications where the security and convenience of offline electronic access control is desired, but an integrated electronic lock may not be practical. It is an ideal solution for narrow stile aluminum store front applications because it can work with a variety of readers, as well as interface with peripheral devices such as automatic operators, electric strikes, and electromagnetic locks.

The CT5000 is compatible with many brands and types of credential technologies including magnetic stripe (tracks 1, 2, and 3), 125 kHz proximity, and 13.56 MHz smart cards. It also supports a variety of card functions including: normal, toggle, freeze, pass through, construction, lockdown and card + PIN applications.

As a complement to your facility's portfolio of CO Series and AD Series devices and networked readers, CT5000 is also capable of upgrade should your needs change to a wireless networked solution.

With the addition of a networked communication board and upgraded firmware, the CT5000 becomes a wireless reader interface capable of communicating via 900MHz signal to an AD Series PIM400. As a wireless reader interface, it can connect to your networked access control system, eliminating the need to run additional wires to the door, saving you time and money on installation.

## Features and benefits

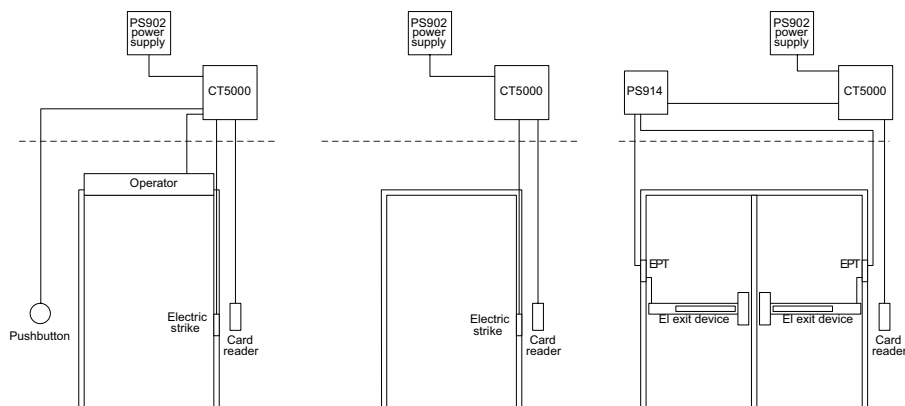
- Three form C relay outputs and three inputs that can include door position and request to exit
- CT5000 strike relay can be configured to fail safe or fail secure
- Upgradable to a wireless reader interface configuration to allow networked communication as your security needs evolve
- Supports up to two parallel Wiegand or Clock & Data reader inputs on a single opening
- Programmable via Schlage® handheld device (HHD) with USB connection or by compatible keypad
- Includes a 15' cable and wallplate connection to enable HHD programming from a remote connection point with a 125' cable option available
- Up to 5000 unique users<sup>1</sup> with audit trail of up to 5000 events<sup>1</sup>
- Up to 16 holidays and 8 time zones enables auto lock and unlock during specified periods with Schlage Express software use
- Door monitoring capable including door position and request-to-exit (remote release)

# CT5000 offline controllers

The CT5000 can be used for front door applications with an automatic operator, electric strike and card reader

For narrow stile applications, the CT5000 can be used with an electric strike and card reader

The CT5000 and a card reader along with the Von Duprin 914 Power Supply can control two EL exit devices for double door applications



Note: PS902 and Von Duprin PS914 are sold separately.

## CT5000 offline controller specifications

Users	Up to 5000
Audits	Up to 5000
Power supply	12 VDC or 24 VDC (sold separately, must be UL 294 Class 2 listed power supply)
Voltage range	9.5 VDC to 26 VDC
Connector cable specifications	DC power input 18AWG, 2 conductor (Belden 8760 or equivalent) up to 1000 ft (305 m)
	Credential readers (x2) Data signals: 22AWG, 6 conductor (Alpha 1296C or equivalent) up to 500 feet (152 meters) Reader tamper signals: 18AWG, twisted pair shielded (Belden 8760 or equivalent) up to 500 feet (152 meters)
	Strike/aux relay outputs 18AWG, 2 conductor (Belden 8760 or equivalent) up to 2000 feet (610 meters)
Relay output tolerances	Strike output relay Form C relay; 6 amps @ 24VDC or 6 amps @ 20 VAC or 3 amps @ 240 VAC
	Auxiliary output relay Form C relay; 6 amps @ 24VDC or 6 amps @ 20 VAC or 3 amps @ 240 VAC
	Alarm output relay Form C relay; 6 amps @ 24VDC or 6 amps @ 20 VAC or 3 amps @ 240 VAC
Operating temperature	-31°F (-35°C) to 151°F (66°C)
Operating humidity	0 - 100% condensing
Certifications	UL 294; Canada UL; FCC Part 15; RoHS
Dimensions	10.43" x 7.28" x 3.79" 26.49 cm x 18.49 cm x 9.63 cm
Programming method	Manually programmed via compatible keypad or computer programmed via SUS software on the Schlage handheld programming device (HHD)
Optional accessories	125 foot USB remote cable connector, PS902, PS904 or Von Duprin® PS914 (sold separately)

## Credential compatibility (software and reader dependent)

Magnetic stripe card	Field configurable track 1, 2, or 3
Proximity card	Schlage, ISONAS® (34X, 35X, 35C, 37X bit formats), HID® GE/CASI ProxLite™ and AWID® 26 bit format
Smart card	Schlage MIFARE DESFire™ EV1 and EV2, HID iCLASS® CSN only 26 bit format

The following readers are UL 294 listed for use with the CT5000:

- Essex Electronics model KTP-162
- Mercury Security models MR-5 and MR-20
- Schlage model PR10
- Schlage models MTB11, MTB15, MTKB15, MT11, MT15, MTK15, MTMS15, MTMSK15, and SM10

## About Allegion

Allegion (NYSE: ALLE) is a global pioneer in safety and security, with leading brands like CISA®, Interflex®, LCN®, Schlage®, SimonsVoss® and Von Duprin®. Focusing on security around the door and adjacent areas, Allegion produces a range of solutions for homes, businesses, schools and other institutions. Allegion is a \$2 billion company, with products sold in almost 130 countries. For more, visit [www.allegion.com](http://www.allegion.com).

KRYPTONITE ■ LCN ■  ■ STEELCRAFT ■ VON DUPRIN



© 2020 Allegion  
004016, Rev. 9/20  
[www.allegion.com/us](http://www.allegion.com/us)



# Schlage Utility Software (SUS)

on the Handheld Device (HHD)



## Overview

Schlage Utility Software (SUS) is designed specifically for use on the Handheld Device (HHD) as the link between your access control management software and Schlage AD/CO electronic offline and networked locks and accessories.

This solution consolidates and simplifies programming and managing your access control system. The SUS and HHD are used to initialize, configure and test product operation, and also provides an easy way to manage people, audits, locks and other network panel interface devices for simple access control. The intuitive screen layout for the SUS provides easy navigation during use.

For offline products, the SUS is utilized to transfer access control data, such as authorized user lists, via the HHD to the locks. The SUS is also utilized to download audit trail information from offline devices to the HHD and then transfer that data to the access control management software.

In addition, the SUS can configure other networked electronic devices (including PIM and PIB) and update firmware revision updates to the devices, as desired.

The HHD connects with Schlage AD Series electronic locks and accessories via a USB interface and utilizes active Synch or Win mobile device manager to communicate with your PC via the USB port. The HHD is also able to connect to the SPED, KC2, CM, CL, CT5000, CT1000, CL Controller and WA Series PIMs via a serial cable connection.

## Features and benefits

- Handheld Device with Schlage Utility Software installed
- Touch screen operation
- Initialize lock and accessories with SUS
- Configure and test devices
- New device template simplifies configuration

## CYBERSECURITY

Learn about Allegion's commitment

## HHD compatible devices and required cable and adaptors

Devices	Cable and adaptors
AD Series and CO Series locks PIM400, PIB300, WRI400, ECK400, GCK400, WPR400, TK400 and CT5000 controller	HH-USB (included in HHD-kit)

## Ordering information

- **HHD Kit -USB** – Handheld device with SUS installed and HH-USB cable
- **HH-USB** – USB cable only

For replacement HHD devices with a serial cable connection, please contact technical support at 877.671.7011.

## Features and specifications

### Schlage Utility Software

- Initialize lock and accessories
- Field configure devices
  - Credential reader formats
  - Lock function
  - Unlock period
  - Failure mode
  - Audible alarm on/off
- Offline devices
  - Manage up to 100 unique door files
  - Retrieve audit trails from up to 100 devices
- Networked devices
  - Communication settings
  - Validate status monitor
- Service and diagnostics
  - Battery status
  - Validate hardware and software revision
  - Troubleshooting status signals
  - Firmware upgrades

### HHD specifications

- 3.5 inch display
- Touch screen with backlit keypad
- Operating system: Windows Mobile 5.0
- Memory: 128 MB RAM / 256 MB ROM
- Battery: rechargeable Li-ion
- Dimensions (H x W x D): 5.1" X 2.8" X 0.65" (13.0 cm x 7.2 cm x 1.7 cm)
- Weight: 0.42 lbs (190 g)
- 5 ft (1.2 m) drop to steel surface, 2 drops per 6 sides

### How-to-videos

- Specially formatted how-to videos for viewing on the HHD are available online
- They can be downloaded from [www.schlage.com/support](http://www.schlage.com/support)
- If additional storage is needed, a standard mini SD memory card can be used
- Videos should be saved on the SD card or in a new folder on the device rather than in the shared sync folder or root directory
- Includes AD Series how-to instructions for door prep, installation, reader changes, etc.

Allegion, the Allegion logo, Schlage, and the Schlage logo are trademarks of Allegion plc, its subsidiaries and/or affiliates in the United States and other countries. All other trademarks are the property of their respective owners.

## About Allegion

Allegion (NYSE: ALLE) is a global pioneer in safety and security, with leading brands like CISA®, Interflex®, LCN®, Schlage®, SimonsVoss® and Von Duprin®. Focusing on security around the door and adjacent areas, Allegion produces a range of solutions for homes, businesses, schools and other institutions. Allegion is a \$2 billion company, with products sold in almost 130 countries. For more, visit [www.allegion.com](http://www.allegion.com).

KRYPTONITE ■ LCN ■  ■ STEELCRAFT ■ VON DUPRIN



© 20120 Allegion  
004443, Rev. 03/20  
[www.allegion.com/us](http://www.allegion.com/us)



# Schlage Express™

Offline Access Control  
Software



## Overview

Schlage Express™ Offline Access Control Software provides a simple and effective means to manage access control within your facility. It supports Schlage offline locks including the CO-200, CO-220 and AD-200, as well as the CT5000 controller. Schlage Express is recommended for smaller facilities with basic access control needs.

It allows you to quickly enter or delete users and access points. It is compatible with a variety of credential options including PIN codes, iButtons, magnetic stripe, proximity and smart cards. For added security, dual authentication (card + PIN) is also supported.

Reporting capability is available to show audit trails retrieved, access privileges granted, and time functions established by either user or door.

## Features and benefits

- A variety of credential functions are supported including normal, toggle, one time and pass through
- Auto unlock schedules - allows weekly repeating for automatic locking and unlocking of doors (up to 16 defined per system; up to 8 assigned per lock)
- Supports magnetic stripe, proximity and smart cards
- Supported devices include CO-200, CO-220, AD-200, CM, KC-2, CT-1000, CT5000 and BE367
- Supports Windows 10, Windows XP, Windows 7 and Windows 8  
Please note that Schlage Express Software is NOT supported on the Home and Starter Versions of the Windows Operating Systems.
- User times zones- limits the hours and days a user can access assigned points (Up to 8)
- Holidays - suspends normal operations for user defined periods per door during non-normal days (Up to 16)
- Users/audits and lock support
- 2,000 Users/audits and 50 locks/devices
- 1,000 Users/audits and 100 locks/devices
- Supports 12 button keypad with up to 6 digit PIN codes
- Duplicate PIN notification feature



---

## Specifications

---

Hardware	Intel Pentium II processor (Pentium III or IV recommended), CD-ROM, mouse or compatible pointing device, VGA or Super VGA monitor, keyboard
Hard disk space	250 MB for software; will require additional space for stored data
Memory	256 MB RAM minimum or the memory required for the operating system, whichever is greater
Operating system	Microsoft Windows 10, Windows XP, Windows 7 and Windows 8 Please note that Schlage Express Software is NOT supported on the Home and Starter Versions of the Windows Operating Systems.
<b>Reports with the built-in viewer Internet Explorer 6 or higher must be installed.</b>	
Required for programming	For offline locking system programming using a Schlage approved HHD device, the following is required: <ul style="list-style-type: none"><li>▪ Available USB port on the PC</li><li>▪ Approved HHD device with installed communications software and interface cables from Schlage</li></ul> For offline legacy locking system programming done directly from the PC, the following is required: <ul style="list-style-type: none"><li>▪ Available USB port on the PC</li><li>▪ Programming interface cables</li></ul>

---

## Ordering information

- **SXPR-SFT-1** - Schlage Express software only

### Accessories

- **HHD KIT** - Handheld device to manage Schlage offline locks (USB cable included for managing AD Series and CO Series locks)
- **HHD-USB** - Additional or replacement cable used to connect HHD to AD Series and CO Series products
- **HH-Serial** - Serial cable used in conjunction with HHD KIT and CIP for managing legacy Schlage offline locks
- **PS12112** - Computer interface module used in conjunction with HH-Serial cable for managing legacy Schlage offline locks
- **P101203** - Computer Interface module with ibutton reader used in conjunction with HH-Serial Cable for managing legacy Schlage offline locks
- **P394548** - Female/female serial cable. Used to connect computer interface module to laptop/PC
- **SDB9USBCBL** - Six inch cable adapter allows a serial port device to be used with a USB port device (for use with PS12112)
- **CRP2** - Proximity credential enrollment reader. Used to read proximity data for enrollment into Schlage Express 4.0 and higher
- **CRM2** - Magnetic stripe credential enrollment reader. Used to read magnetic stripe data for enrollment into Schlage Express 4.0 and higher

Allegion, the Allegion logo, Schlage, the Schlage logo, and Schlage Express are trademarks of Allegion plc, its subsidiaries and/or affiliates in the United States and other countries. All other trademarks are the property of their respective owners.

## About Allegion

Allegion (NYSE: ALLE) is a global pioneer in safety and security, with leading brands like CISA®, Interflex®, LCN®, Schlage®, SimonsVoss® and Von Duprin®. Focusing on security around the door and adjacent areas, Allegion produces a range of solutions for homes, businesses, schools and other institutions. Allegion is a \$2 billion company, with products sold in almost 130 countries. For more, visit [www.allegion.com](http://www.allegion.com).

KRYPTONITE ■ LCN ■  ■ STEELCRAFT ■ VON DUPRIN



© 2019 Allegion  
003940, Rev.12/19  
[www.allegion.com/us](http://www.allegion.com/us)



# Schlage Express™

Offline access control  
software capability matrix

	CO-200 & CO-220	AD-200
<b>System capacity at lock</b>		
Number of users or audits/locks	2,000 users/audits, 50 lock max.	2,000 users/audits, 50 lock max.
	1,000 users/audits, 100 lock max.	1,000 users/audits, 100 lock max.
Holidays	16	16
1st person in	Yes	Yes
Time zones	8	8
Auto unlocks	8	8
<b>Reader</b>		
Keypad only	Yes	Yes
Magnetic stripe	Yes	Yes
Proximity	Yes	Yes
Multi-technology - 125 kHz prox and 13.56 MHz smart card	No	Yes
Card + PIN	Yes (3 to 6)	Yes (3 to 6)
<b>Status monitors</b>		
Mechanical key override (ATK)	Yes	Yes
Battery status	Yes	Yes

NOTE: Shaded boxes indicate features that are only available in Express v4.0 or higher.

Previous versions (Express 3.5.7 and older) support 1000 users/audits and 100 locks, and do not include AD Series and CO Series software labels.

	CO-200 & CO-220	AD-200
<b>Lock functions</b>		
Classroom/storeroom	CO-200 only	Yes
Office/toggle	CO-200 only	Yes
Privacy	CO-200 only	Yes
Apartment	CO-200 only	Yes
Classroom security	CO-220 only	No
<b>Credential attributes</b>		
Normal credential	Yes	Yes
Toggle credential	Yes	Yes
Pass thru credential	Yes	Yes
Visitor/one time use credential	Yes	Yes
Freeze credential	Yes	Yes
Lock down credential	No	No

Allegion, the Allegion logo, Schlage, and the Schlage logo are trademarks of Allegion plc, its subsidiaries and/or affiliates in the United States and other countries. All other trademarks are the property of their respective owners.

## About Allegion

Allegion (NYSE: ALLE) is a global pioneer in safety and security, with leading brands like CISA®, Interflex®, LCN®, Schlage®, SimonsVoss® and Von Duprin®. Focusing on security around the door and adjacent areas, Allegion produces a range of solutions for homes, businesses, schools and other institutions. Allegion is a \$2 billion company, with products sold in almost 130 countries. For more, visit [www.allegion.com](http://www.allegion.com).

KRYPTONITE ■ LCN ■  ■ STEELCRAFT ■ VON DUPRIN



© 2019 Allegion  
009396, Rev.12/19  
[www.allegion.com/us](http://www.allegion.com/us)

## Electro- mechanical Solutions



This section of the Electronic Access Control catalog covers LCN, Schlage, Von Duprin and Ives products which can be equipped with electronic features for added security and functionality.

### Electrified locks

#### Overview

The mechanical lock is one of the most basic aspects of electronic access systems; however, they are as important as any other component of such a system. Mechanical security components must be able to stand up to constant wear and tear, and in some cases be durable enough to handle direct attack or abuse. Without such durability and integrity, a building's assets and people are at risk.

#### Features

The two primary Schlage commercial lock families are the L Series Grade 1 mortise lock and the ND Series Grade 1 cylindrical lock. Both the L and ND series are available in mechanical, wired electrified and wireless electronic configurations so that an entire project can be suited with a single lock family for a consistent look and feel. The features outlined below will focus on the wired electrified offerings of these two series.

The wired electrified Schlage L and ND locks have numerous advantages due to their use of motors instead of solenoids in their locking mechanisms. In regards to efficiency, the locks have a very low maximum current draw - saving money by allowing more locks on a single power supply. They also have an extremely low holding current - only 10mA; thus, operating more efficiently and eliminating the "hot levers" found in other locks. Motor

driven locks are also inherently more quiet than the solenoid counterparts.

Flexibility is also enhanced with the wired electrified Schlage L and ND. A single lock can support 12 or 24V applications, and operating mode - electrically locking (aka fail safe) or electrically unlocking (aka fail secure) - can easily be selected with a switch on the chassis. Request-to-exit, a popular option used on about 60% of locks, can even be "plugged in" at a later time. Combined, this flexibility allows a single electrified L or electrified ND lock to replace 8 traditional electrified locks - thus ensuring the right lock is always available at the job site or on the work truck. Additional options and details are available on the following product-specific pages.

#### Benefits

Years of engineering and design have been put into the L Series and ND Series from Schlage. This means with both sets of locks, strength, dependability, and flexibility are the best on the market today. Even after purchasing an expensive electronic access control system, there can still be a point of weakness at the opening if the mechanical lock does not function properly or stand up to abuse. Moreover, many tenants are depending on the mechanical aspects of an opening to be completely functional every day. When so much is at stake, you can rely on Schlage products to be dependable, strong, and flexible.

## Exit devices - electrical options

### Overview

Exit devices are a critical part of a fire and life safety egress system and provide safe and reliable service when properly applied and maintained. Von Duprin's portfolio of exit device hardware features a variety of options that allow the device to be controlled electronically. When an electrical option is used, the exit device integrates into any access control system.

### Features

There are a variety of electrical options that can be applied to a Von Duprin exit device. Electric latch retraction allows for the remote unlatching of exit devices. Monitoring switches, such as RX and LX, are used to signal the state of an opening. Delayed egress and alarmed exits, such as the Chexit and ALK exit, help to deter unauthorized use of certain openings. Von Duprin also offers a variety of electrified exit trims that work seamlessly with the exit device. For a complete view of the range of available Von Duprin electrical options, please see the Von Duprin exit device catalogs.

### Benefits

Applying electrical features to your Von Duprin exit devices allows you to remotely control, monitor and delay or alarm latch retraction, while allowing safe and efficient egress.

## Door control - electrical options

### Overview

LCN has automatic operator solutions to meet the full array of ADA accessibility and door control needs, including low-energy pneumatic and electric designs. What's more, they utilize several patented components and are all assembled by hand in the United States. LCN's comprehensive portfolio of solutions help building owners bridge the gap between business objectives and ADA accessibility, without sacrificing other needs related to high use and abuse, design, fire and life safety and security.

### Features

LCN pneumatic auto equalizer systems use the power of pressurized air to do the work of automatically opening the door. A basic pneumatic system consists of an automatic operator to provide the door control, a control box that contains the valves and electrical timing circuits, actuators to start the system and a compressed air source. Electrohydraulic auto equalizer products can operate as normal rack & pinion door closers or, at the touch of a button, open automatically. An integrated digital control suite provides all electrical control functions. Two surface mount models are available; the 4630 Series mounts on the pull side of the door and the 4640 Series mounts on the push side of the door. LCN's electromechanical products are designed primarily for automatic opening applications that occasionally require manual opening. A control box provides all electrical functions. Surface mounted and overhead concealed mountings are available.

### Benefits

LCN automatic operator solutions have been the proven standard in schools and health care facilities for over 20 years and are designed to meet ADA regulations for accessible openings. They are easily retrofitted into existing doors and frames, as well as new construction.

Allegion, the Allegion logo, Ives, LCN, Schlage and Von Duprin are trademarks of Allegion plc, its subsidiaries and/or affiliates in the United States and other countries. All other trademarks are the property of their respective owners.

## About Allegion

Allegion (NYSE: ALLE) is a global pioneer in safety and security, with leading brands like CISA®, Interflex®, LCN®, Schlage®, SimonsVoss® and Von Duprin®. Focusing on security around the door and adjacent areas, Allegion produces a range of solutions for homes, businesses, schools and other institutions. Allegion is a \$2 billion company, with products sold in almost 130 countries. For more, visit [www.allegion.com](http://www.allegion.com).

KRYPTONITE ■ LCN ■  ■ STEELCRAFT ■ VON DUPRIN



© 2019 Allegion  
005024, Rev. 12/19  
[www.allegion.com/us](http://www.allegion.com/us)



## L Series

Electrified mortise lock



### Overview

Many of the most advanced electronic access systems still rely on the strength and functionality of the mechanical lock hardware on the door. L Series electrified mortise locks include Schlage's most diverse aesthetic options in a design built for performance, security and durability. It can be used as part of an integrated system or as a standalone solution with a buzzer or other device as the controller.

The L Series offers exceptional flexibility and power savings. The lock automatically adapts to 12V or 24V DC input, and a case-mounted switch allows selection between EL and EU operation. Request-to-exit is modular and can be added without opening the lock case. 0.4 amps maximum current draw allows multiple units on a single power supply, while 0.01 amps holding current eliminates "hot levers" in EL applications.

Utilizing the same levers, trims and options as the mechanical Schlage L Series mortise, it suites seamlessly with the other L Series hardware which includes both purely mechanical and fully electronic solutions. And because it is based on the Schlage L mortise, it carries the same proven record of performance, strength and durability from the most trusted name in the industry.

#### Recommended applications

The wired electrified L Series is ideal for new construction and high traffic areas where hardwired power ensures continuous operation and where electrified door prep, hinges and wiring can easily be incorporated into the building.

The electrified L Series is regularly used as part of an access control system for high security areas, or independently in areas that require a remote access switch.

### Features and benefits

- Universal input voltage – accepts 12V or 24V DC for installation flexibility
- User selectable fail safe/fail secure through use of switch on lock case
- Low maximum current draw allows multiple locks on a single power supply
- Low holding current produces minimal heat, eliminating "hot levers" in electrically locking applications
- Modular design allows RX feature to be added at a later time without opening the lock case
- UL listed for 3-hour fire door
- Available with Vandlgard® lever engagement - ideal for areas subject to abuse or vandalism
- Extensive options for lever styles, finishes and functions

#### Available options:

- Request-to-Exit (RX)
- Latchbolt Monitor (LX)
- Door Position Sensor (DPS)  
- non-deadbolt functions only
- Deadbolt Monitor (DM)  
- deadbolt functions only

## L Series mechanical specifications

Handing	Field reversible
Door thickness	1 3/4" (44 mm) standard, 1 3/8" (35 mm) to 2 1/2" (64 mm) optional. Over 2 1/2" (64 mm) door ranges vary by function. Specify door thickness other than 1 3/4" and position in door EE, EI, EO, and ED.
Backset	2 3/4" (70 mm) only
Armored front	Standard: 1 1/4" x 8" x 7/32" (32 mm x 203 mm x 6 mm) Optional: 1 1/16" x 8" x 7/32" (27 mm x 203 mm x 6 mm)
Case size	4 7/16" x 6 1/16" x 1" (113 mm x 154 mm x 25 mm)
Spacing	Knob or lever to cylinder, 3 7/8" (98 mm); knob or lever to thumbturn hub, 2 1/16" (68 mm)
Bolts	1" (25 mm) throw stainless steel deadbolt and 3/4" (19 mm) throw stainless steel latch with anti-friction tongue
Cylinders and key systems	Standard: Pin and tumbler mechanism in the Patented Schlage Everest 29 S123 keyway (6-pin); two nickel silver cut keys per lock  Additional keying options available: Conventional and interchangeable cores; master and grand master keying; compatible with competitor cylinders and cams that support the L9000 Series
Strike	ANSI curved lip strike 1 1/4" x 4 7/8" (32 mm x 124 mm) x 1 3/16" (30 mm) lip to center with dust box standard
Trim	Five roses (sectional) and two escutcheons available
Levers	33 lever and two knob designs Ligature resistant and hospital push/pull trim also available
Finishes	14 available

### Vandlgard®

The outside lever rotates freely down when locked, limiting the ability of vandals to apply excessive force which could damage the lock.



## L Series electronic specifications

Voltage	Auto-detects 12/24V DC operation
Peak current	0.4 amps
Holding current	0.010 amps
Operating temperature	Maximum +140°F (+60°C) Minimum -22°F (-30°C)
Interfacing devices	Biometric devices, wall switches, security consoles, access card readers, thermo-sensitive devices, smoke and fire alarms, telephone access controls, automatic time devices and computerized controls
Micro switch electrical rating for request-to-exit (RX) function and latchbolt monitor (LX)	3 amps, 125V AC; 2 amps, 30V DC

## L Series electrified functions

No Cylinder	L9090EL/EU Electrically locking/unlocking outside lever L9091EL/EU Electrically locking/unlocking both levers
Outside Cylinder	L9092EL/EU Electrically locking/unlocking outside lever L9093EL/EU Electrically locking/unlocking both levers
Inside & Outside Cylinder	L9094EL/EU Electrically locking/unlocking outside lever L9095EL/EU Electrically locking/unlocking both levers

## L Series electrified deadbolt functions

Outside Cylinder	L9492EL/EU Electrically locking/unlocking outsider lever, inside thumbturn, with deadbolt L9493EL/EU Electrically locking/unlocking both levers
Inside & Outside Cylinder	L9494EL/EU Electrically locking/unlocking outsider lever L9495EL/EU Electrically locking/unlocking both levers

Note: See pricebook for additional details.

Allegion, the Allegion logo, Schlage, and the Schlage logo are trademarks of Allegion plc, its subsidiaries and/or affiliates in the United States and other countries. All other trademarks are the property of their respective owners.

## About Allegion

Allegion (NYSE: ALLE) is a global pioneer in safety and security, with leading brands like CISA®, Interflex®, LCN®, Schlage®, SimonsVoss® and Von Duprin®. Focusing on security around the door and adjacent areas, Allegion produces a range of solutions for homes, businesses, schools and other institutions. Allegion is a \$2 billion company, with products sold in almost 130 countries. For more, visit [www.allegion.com](http://www.allegion.com).

KRYPTONITE ■ LCN ■  ■ STEELCRAFT ■ VON DUPRIN



© 2020 Allegion  
004998, Rev. 09/20  
[www.allegion.com/us](http://www.allegion.com/us)





## ND Series

Electrified cylindrical lock



### Overview

Many of the most advanced electronic access systems still rely on the strength and functionality of the mechanical lock hardware on the door. ND Series electrified locks feature Schlage's most robust cylindrical design built for performance, security and durability. It is a "beyond grade 1" lock in terms of strength and can be used as part of an integrated system or as a standalone solution with a buzzer or other device as the controller.

The Schlage ND cylindrical lock uses a motor instead of a solenoid to provide quiet operation and energy efficiency. The maximum current draw of 0.23 amps allows more locks to run off a single power supply. A low, 0.010 amp holding current eliminates any potential for hot levers in electrically locking applications or in electrically unlocking applications where the door is left open for long periods of time. ND Series can be quickly and easily installed and is compatible with various key systems for field adaptability. It suites seamlessly with the other ND Series hardware which includes both purely mechanical and fully electronic solutions.

When it comes to access control, mechanical components are just as important as their electronic counterparts. The Schlage ND Series provides versatility and easy installation to complete your access control system.

### Recommended applications

The wired electrified ND Series is ideal for new construction and high traffic areas where hardwired power ensures continuous operation and where electrified door prep, hinges and wiring can easily be incorporated into the building. The electrified ND Series is regularly used as part of an access control system for high security areas, or independently in areas that require a remote access switch.

### Features and benefits

- Exceeds ANSI A156.2 series 4000 Grade 1 torque requirements
- Universal input voltage – accepts 12V or 24V DC for installation flexibility
- Change operation mode between Electrically Unlocking (EU or Fail Secure) or Electrically Locking (EL or Fail Safe) by simply flipping a switch on the chassis
- Low maximum current draw allows multiple locks on a single power supply
- Low holding current produces minimal heat, eliminating "hot levers" in electrically locking applications
- Request-to-exit functionality can be easily upgraded in the field with the following kit part #: N123-062
- Extensive options for lever styles, finishes and functions
- UL listed for 3-hour fire door
- Available with Vandlgard® lever engagement on storeroom function - ideal for areas subject to abuse or vandalism

## ND Series mechanical specifications

Handing	Non-handed
Door thickness	1 5/8" to 2 1/8" standard including Vandlgard
Backset	2 3/4" standard, 2 3/8", 3 3/4" and 5" optional
Faceplate	Brass, bronze or stainless steel. 1 1/8" x 2 1/4" (29 mm x 57 mm) square corner, beveled.
Lock chassis	Zinc plated for corrosion resistance.
Latchbolt	Steel, 1/2" (12 mm) throw, deadlocking on keyed and exterior functions. 3/4" (19 mm) throw anti-friction latch available for pairs of fire doors.
Exposed trim levers	Pressure cast zinc, plated to match finish symbols.
Roses	Brass or bronze.
Strike	ANSI curved lip strike 1 1/4" x 4 7/8" x 1 3/16" lip to center standard.
Cylinders and keys	6 pin solid brass cylinder is standard with Everest 29 S123 keyway furnished as default. Furnished with 2 nickel silver keys. Additional Schlage keyways available.
Keying options	Available in full size interchangeable core (FSIC) and small format interchangeable core (SFIC). Also available less cylinder and less FSIC to allow for Primus XP cylinder usage.
Lever design and finish	All ND levers and all ND finishes available

## ND Series electronic specifications

Voltage	Auto-detects 12 through 24V DC operation
Peak current	.23 amps (230mA)
Holding current	0.01 amps (10mA)
Operating temperature	Maximum +120°F (+49°C) Minimum -32°F (0°C)
Micro switch electrical rating for request-to-exit (N523-194) function	2 amps 30V DC

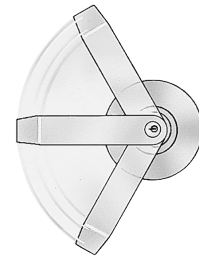
## ND Series electrified functions

No cylinder	ND12DEL: Electrically Locking/Fail Safe ND12DEU: Electrically Unlocking/Fail Secure
Outside cylinder	ND80PDEL: Electrically Locking/Fail Safe ND80PDEU: Electrically Unlocking/Fail Secure
Vandlgard	ND96PDEL: Electrically Locking/Fail Safe ND96PDEU: Electrically Unlocking/Fail Secure

Note: See pricebook for additional details.

## Vandlgard®

Vandlgard trim is specifically designed for highly abusive environments. The outside lever rotates freely up and down when locked, limiting the ability of vandals to apply excessive force to the chassis.



## About Allegion

Allegion (NYSE: ALLE) is a global pioneer in safety and security, with leading brands like CISA®, Interflex®, LCN®, Schlage®, SimonsVoss® and Von Duprin®. Focusing on security around the door and adjacent areas, Allegion produces a range of solutions for homes, businesses, schools and other institutions. Allegion is a \$2 billion company, with products sold in almost 130 countries. For more, visit [www.allegion.com](http://www.allegion.com).

KRYPTONITE ■ LCN ■  ■ STEELCRAFT ■ VON DUPRIN



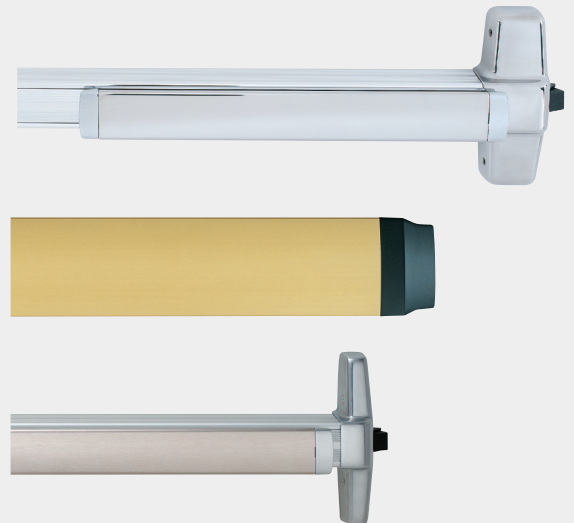
Allegion, the Allegion logo, Schlage, and the Schlage logo are trademarks of Allegion plc, its subsidiaries and/or affiliates in the United States and other countries. All other trademarks are the property of their respective owners.

© 2020 Allegion  
004999, Rev. 09/20  
[www.allegion.com/us](http://www.allegion.com/us)

**VON DUPRIN®**

# Quiet Electric Latch Retraction-QEL

Featuring 98/99, 94/95  
and 33A/35A series  
exit devices



## Overview

Quiet electric latch retraction (QEL) provides electronic control of an exit device for environments where limited operational noise is desired. The QEL option is Von Duprin's solution of choice for hospitals, libraries, museums and theaters where ambient noise can be disruptive. It is available on all Von Duprin 98/99, 94/95 and 33A/35A series exit devices.

These devices always provide mechanical egress. The electrified latch retraction can also be activated by an access system or building automation system to unlatch the exit device momentarily. Often the QEL is used with a credential reader and access control system to unlock the door momentarily for authorized users.

The QEL can also be configured to electronically retract the latch for an extended period of time to allow free entry. This is a convenient alternative to mechanical dogging. If manual dogging is required, the hex dogging option is available, to order specify HD-QEL. Special center case dogging is also available for 98/99 rim and vertical systems, specify SD-QEL.

The QEL option is available on panic devices and fire rated devices. Fire rated openings have several additional requirements. They must be self latching and self closing. To satisfy these requirements the QEL must be paired with an automatic operator and under the control of an automatic fire alarm system when used on fire rated openings.

## Features and benefits

- QEL option available on all 98/99, 94/95 and 33A/35A series exit devices
- Energy efficient motorized latch retraction utilizes standard 2 amp power supply, enabling longer wire runs from power source
- Quiet operation in both mechanical and electronic states
- Modular design allows for a simplified installation
- On-board installation and troubleshooting diagnostics built into device
- Auto adjust latch retraction – automatically adjusts latch throw and pull
- Pushbar is pulled in electronically for quieter operation when dogged
- Vandal resistant – detects and responds to events of attack and tampering

## Specifications compliance

- Devices are BHMA Certified to ANSI/BHMA A156.3 (2001) Grade 1 for Exit Devices
- Devices are UL and cUL Listed as “Panic Hardware” (UL 305) and as “Fire Exit Hardware” (UL 10C)
- The QEL Conversion Kit is UL Classified under “Accessories for Single-Point Locks and Latches and Fire Exit Hardware” (UL 10C)

## Electronic specifications

### QEL electrical load

Voltage	24 VDC
Current	1.0 A Inrush (0.5 sec) 0.14 A Holding

### QEL wire run lengths

Distance (one way)	Wire gauge
200'	18 AWG
320'	16 AWG
500'	14 AWG
800'	12 AWG

## Accessories

The QEL has a low inrush current = 1.0 amps, so it can be used with standard Schlage power supplies. When powering multiple components, verify that the amperage requirements of all components combined does not exceed the power supply output rating, see table below for output ratings.

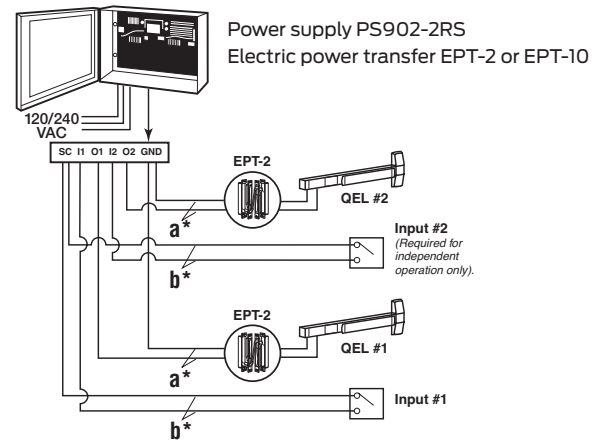
Schlage PS902	Schlage PS904	Schlage PS906
up to 2 amps	up to 4 amps	up to 6 amps

The QEL device is compatible with the following equipment: PS900 Series power supplies - PS902, 904, 906, 914; 900 Series Option Boards - 900-2RS, 900-4R, 900-4RL, 900-2Q; PS873 Power Supply including 871-2, 871-2Q, 873-4TD/AO Option Boards. The power transfer is also sold separately. Please refer to Von Duprin catalog for more information on EPT-2/EPT-10 power transfers and PS900 series power supplies.

## How to order

- **Standard** – Use prefix QEL, example QEL99L.
- **Special Center Case Dogging** – Use prefix SD-QEL, example SD-QEL99L.
- **Hex Dogging** – Use prefix HD-QEL, example HD-QEL99L.

## Popular application



## About Allegion

Allegion (NYSE: ALLE) is a global pioneer in safety and security, with leading brands like CISA®, Interflex®, LCN®, Schlage®, SimonsVoss® and Von Duprin®. Focusing on security around the door and adjacent areas, Allegion produces a range of solutions for homes, businesses, schools and other institutions. Allegion is a \$2 billion company, with products sold in almost 130 countries. For more, visit [www.allegion.com](http://www.allegion.com).

KRYPTONITE ■ LCN ■  ■ STEELCRAFT ■ VON DUPRIN

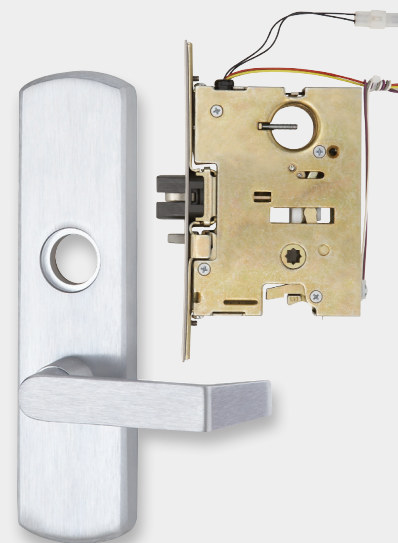


© 2019 Allegion  
006586, Rev.12/19  
[www.allegion.com/us](http://www.allegion.com/us)

**VON DUPRIN®**

**E996L, E7500**

Electrified trim, electric mortise lock



## Overview

### **E996L- Electrified breakaway lever trim**

E996L Electrified Breakaway lever trim provides remote locking and unlocking capabilities while incorporating the patented Breakaway trim design.

The 24VDC solenoid can be energized from a distant controller, thus allowing access control of the opening. The control of stairwells in high-rise buildings is a common application for this trim. When electrically unlocked the unit operates as a normal lever trim. When electrically locked, the lever feels locked, but when more than 35 pounds of torque pressure is applied, the Breakaway lever feature engages.

The E996L is available in standard either in a fail safe (FS) or fail secure (FSE) condition, but can also be field converted where allowed. The trim can be ordered with a device, added to an existing 98/99 series device application, or a conversion kit can be added to an existing 996L Breakaway lever trim. On new construction applications, the E996L trim will require less door prep.

The E996L is available with a blank escutcheon (BE) function, or with cylinder operation for night latch (NL) function.

The E996L electrified trim replaces the current “E” electric feature on 98/99 series rim devices. Consult factory for requirements.

### **E7500- Electric mortise lock**

The electric mortise lock device has all the versatility and advantages of the standard mortise lock device, plus the advantage of being electrically controlled by a remote switching device, an access control system or an automatic fire alarm system. The device features the 7500 mortise lock. The E7500 controls the locking of the outside trim. When unlocked, the door remains latched, preserving the fire rating of the door and making it particularly useful where codes permit locking but require unlocking during a fire emergency. The outside trim cylinder retracts the latch bolt for mechanical override of night latch function. Only available with TP, K or L functions.

The E7500 lock contains a SPDT signal to monitor the outside trim condition (locked or unlocked) and a second SPDT signal switch to monitor the latch bolt.

## Features and benefits

### **E996L**

- Fail safe or fail secure, can also be converted in the field
- Conversion kits available to add to existing 996L trim
- Available with blank escutcheon function or cylinder operation for night latch function

### **E7500**

- Field reversible handing
- 24 VDC continuous-duty solenoid
- Fail safe or fail secure optional<sup>1</sup>

<sup>1</sup> Some fire codes will require fail safe (FS) operation for stairwell doors. Be sure to specify the correct operation for your application.

## E996L specifications

Solenoid	24VDC
Solenoid draw	0.22 AMPS

### To order, specify

Note: To order, please reference Von Duprin catalog and price book

- Use "E" prefix, example E996L
- When ordering with device specify trim series with "E" prefix, example 9927L-BE 3' US26D E996L.
- Device type, R/V (rim/surface or concealed vertical rod) or M (mortise)
- Fail Safe (FS) or Fail Secure (FSE)
- RHR is furnished standard if not specified. Field reversible.
- Lever style (06 lever is furnished standard)
- Finish: US3, US4, US10, US10B, SP313, US26, US26D, SPBLK, US15

## E7500 specifications

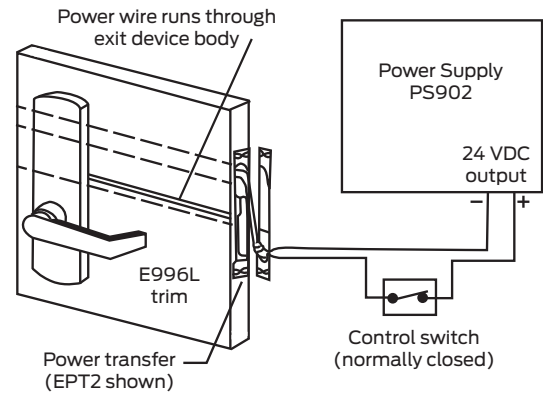
Solenoid	.60 Amps @ 12VDC .30 Amps @ 24VDC
Each switch	Up to 2.0 Amps @ 24VDC Maximum

The E option does not include the power transfer from door to frame, the power supply or the control operator. (Refer to EPT-10 and PS902 or PS914 power supply)

### To order, specify

Note: To order, please reference Von Duprin catalog and price book

- Use prefix "E," example E9975
- FS or FSE
- Voltage and current



### E996L Electrical wiring

- Power input for E996L is 24 VDC
- Two wires on the trim are non-polarized (18 AWG minimum)

### Standard features:

- Field reversible handing
- 24 VDC continuous duty solenoid

### Optional features:

- Fail safe (locked when energized, unlocked when de-energized or during power failure). Specify with suffix "FS."
- Fail secure (unlocked when energized, locked when de-energized or during power failure). Specify with suffix "FSE."
- 24 VAC (with SO option)
- 12 VDC
- 12 VAC (with SO option)

Note: Some fire codes will require "Fail Safe" (FS) operation for stairwell doors. Be sure to specify the correct operation for your application.

Allegion, the Allegion logo, Von Duprin and the Von Duprin logo are trademarks of Allegion plc, its subsidiaries and/or affiliates in the United States and other countries. All other trademarks are the property of their respective owners.

## About Allegion

Allegion (NYSE: ALLE) is a global pioneer in safety and security, with leading brands like CISA®, Interflex®, LCN®, Schlage®, SimonsVoss® and Von Duprin®. Focusing on security around the door and adjacent areas, Allegion produces a range of solutions for homes, businesses, schools and other institutions. Allegion is a \$2 billion company, with products sold in almost 130 countries. For more, visit [www.allegion.com](http://www.allegion.com).

KRYPTONITE ■ LCN ■  ■ STEELCRAFT ■ VON DUPRIN



© 2019 Allegion  
010103, Rev.12/19  
[www.allegion.com/us](http://www.allegion.com/us)

VON DUPRIN®

M996L/L-BE

Motor driven electrified trim



## Overview

M996L/L-BE motor driven electrified breakaway lever trim provides remote locking and unlocking capabilities while incorporating the patented vandal-resistant trim design.

The motor can be energized from a distant controller, thus allowing access control of the opening. The control of stairwells in high-rise buildings is a common application for this trim. When electrically unlocked, the lever is operable. When electrically locked, the lever is rigid.

The vandal-resistant breakaway feature engages when more than 35 lbs. of torque pressure is applied to the locked lever. In breakaway mode, the lever dangles, internal components are protected from breakage, and the trim remains locked. Lever position is restored simply by pulling up on the lever.

The trim works with either 12VDC or 24VDC power supplies. The trim also comes with a field selectable dip switch for either mechanical Fail Safe (FS) or Fail Secure (FSE) functionality - no special configuration required.

The M996 key bypass options are:

- M996L (key functions as night latch mechanical override)
- M996L-BE (no key override, blank escutcheon)

The M996 trim can be ordered with a device, added to an existing 98/99 series device application, or a conversion kit can be added to an existing 996L/996L-BE, or E996L/E996L-BE trim.

## Features and benefits

- Vandal-resistant breakaway lever
- Dual voltage - works with either 12VDC or 24VDC power supplies
- Furnished Fail Safe (FS); convertible to Fail Secure (FSE) via dip switch<sup>1</sup>
- Key bypass override (M996L), or no key bypass with blank escutcheon (M996L-BE)
- Field retrofit kits work for either mechanical 996 or updating solenoid driven E996
- Available with Allegion Connect (-CON)
- Field-reversible handing

<sup>1</sup> Some fire codes will require fail safe (FS) operation for stairwell doors. Be sure to specify the correct operation for your application.



## M996L/L-BE specifications

24V FSA	0.08 amp in-rush*, 0.01 amp holding
24V FSE	0.59 amp in-rush*, 0.01 amp holding
12V FSA	0.13 amp in-rush*, 0.01 amp holding
12V FSE	1.12 amp in-rush*, 0.01 amp holding

\* 600mS in-rush time.

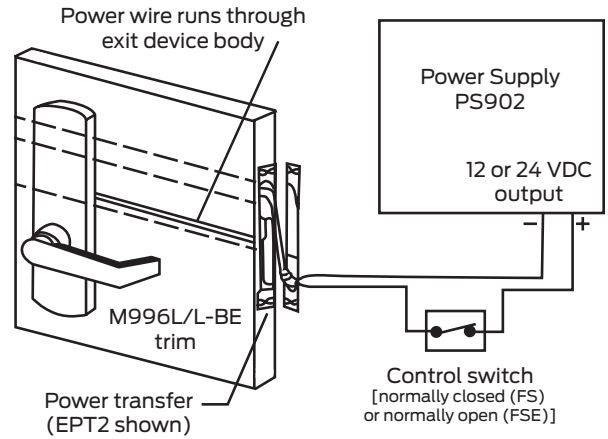
### To order, specify:

- Use "M" prefix, example M996L
- Device type: R/V (rim/surface or concealed vertical rod/cable) or M (mortise)
- Fail mode: Furnished Fail Safe (FS) only; field convertible to Fail Secure (FSE) via dip switch<sup>1</sup>
- Lever style: 06 lever is furnished standard if not specified
- Handing: RHR or LHR (RHR is furnished standard if not specified; field reversible)
- Finish: 605, 606, 612, 613, 619, 622, 625, 626, 643e, 693, 695
- Allegion Connect: Specify -CON if desired
- When ordering with device specify trim series with "M" prefix, example 9927L-BE 3' US26D M996L-BE
- When ordering M996 conversion kit, specify:

Description	Part number
996 R/V/C conversion to motorized kit	47273111
996 Mortise conversion to motorized kit	47273112

Note: For more ordering details, please reference Von Duprin catalog and price book.

1. Some fire codes will require fail safe (FS) operation for stairwell doors. Be sure to specify the correct operation for your application.



### M996L Electrical wiring

- Power input for M996L/L-BE is either 12 VDC or 24 VDC
- Two wires on the trim are non-polarized (18 AWG minimum)

Allegion, the Allegion logo, Von Duprin and the Von Duprin logo are trademarks of Allegion plc, its subsidiaries and/or affiliates in the United States and other countries. All other trademarks are the property of their respective owners.

## About Allegion

Allegion (NYSE: ALLE) is a global pioneer in seamless access, with leading brands like CISA®, Interflex®, LCN®, Schlage®, SimonsVoss® and Von Duprin®. Focusing on security around the door and adjacent areas, Allegion secures people and assets with a range of solutions for homes, businesses, schools and institutions. Allegion had \$2.7 billion in revenue in 2018, and sells products in almost 130 countries. For more, visit [www.allegion.com](http://www.allegion.com).

KRYPTONITE ■ LCN ■  ■ STEELCRAFT ■ VON DUPRIN



© 2020 Allegion  
013467, Rev. 04/20  
[www.allegion.com/us](http://www.allegion.com/us)

**VON DUPRIN®**

## Delayed egress systems

CHEXIT, RCM & DE5300



### Overview

The Von Duprin® CHEXIT is a delayed egress option available on all 98/99, XP98/99 and 33A/35A series exit devices. It is commonly used in behavioral health, memory care, and maternity applications to prevent patient abduction or elopement and in retail stores for asset protection. All control inputs, auxiliary locking, local alarm and remote signaling outputs are self-contained. The CHEXIT can easily be integrated with access control, fire prevention and infant protection systems.

The standard CHEXIT device sounds an alarm and keeps the door secured for 15 seconds following an exit attempt with immediate release upon fire alarm. Numerous configurable settings allow the CHEXIT to be customized based on specific application or code requirements.

Recently updated, the improved design of the CHEXIT makes installation and maintenance easier. The new motor driven blocking actuator is quiet and energy efficient, with an input current of only 1.25 amps and wire run up to 500 feet from the power transfer to power supply (14 AWG). Additional options were added including indefinite release delay to address 2015 IBC requirements for controlled egress.

The Remote CHEXIT Module (RCM) provides the same functionality for smaller door sizes by placing electronic components in a control box. Likewise, the DE5300 utilizes a control box, RX-LX low current request to exit panic device and a Schlage direct hold electromagnetic lock.

### Features and benefits

- Available on all 98/99, XP98/99 and 33A/35A series exit devices
- Redesigned for easy and cost effective installation and maintenance
- Motor driven blocking actuator provides quiet and energy efficient operation
- Flexible field configurable functions, including: nuisance delay 0, 1, 2 or 3 seconds, audio sound level high/low, power up setting armed/disarmed
- Trim actuator/input for outside trim connection with selectable fail safe/secure setting
- Secure status relay output
- RCM and DE5300 available to accommodate a variety of door configurations and applications
- UL 294 Listed and meets 2015 IBC 1010.1.9.7 Delayed Egress and 1010.1.9.6 Controlled Egress and NFPA 7.2.1.6 Special Locking Arrangements

# CHEXIT device

(with motor driven blocking actuator)

Available for 33A/35A, 98/99 and XP98/99 Series devices

The Von Duprin CHEXIT device is designed for controlled egress applications. It is UL 294 listed and meets 2015 International Building Code (IBC) sections 1010.1.9.7 Delayed Egress and 1010.1.9.6 Controlled Egress and National Fire Protection Associations (NFPA) sections 7.2.1.6 Special Locking Arrangements. All control inputs, auxiliary locking, local alarm and remote signaling outputs are self-contained in the CHEXIT assembly. Numerous configurable options allow the device to be customized for the specific code or application requirements. The standard CHEXIT device sounds an alarm and keeps the door secured for 15 seconds following an exit attempt with immediate release upon fire. Included with each device is a 6" x 20" decal for application on the door reading "PUSH UNTIL ALARM SOUNDS. DOOR CAN BE OPENED IN 15 SECONDS".

## Minimum door opening sizes for CX devices

Consult factory for other size requirements.

Device	3' (914mm) Length	4' (1219mm) Length
CX33A/35A	2'10 3/4" (883mm)	3'4 3/4" (1035mm)
CX3327A/3327A-F/3527A/3527A-F	2'10 1/4" (870mm)	3'4 1/4" (1022mm)
CX3347A/3347A-F/3547A/3547A-F	2'10 1/4" (870mm)	3'4 1/4" (1022mm)
CX3348A/3348A-F/3548A/3548A-F	2'10 1/4" (870mm)	3'4 1/4" (1022mm)
CX3349A/3349A-F/3549A/3549A-F	2'10 1/4" (870mm)	3'4 1/4" (1022mm)
CX3350/3350WDC-F/ 3550/3550WDC-F	2'10 1/4" (870mm)	3'4 1/4" (1022mm)
CX98/98-F/99/99-F	2'10 3/4" (883mm)	3'4 3/4" (1035mm)
CX-XP98/XP98-F/XP99/XP99-F	2'10 3/4" (883mm)	3'4 3/4" (1035mm)
CX9827/9827-F/9927/9927-F	2'10 1/4" (870mm)	3'4 1/4" (1022mm)
CX9847/9847-F/9947/9947-F	2'10 1/4" (870mm)	3'4 1/4" (1022mm)
CX9848/9848-F/9948/9948-F	2'10 1/4" (870mm)	3'4 1/4" (1022mm)
CX9849/9849-F/9949/9949-F	2'10 1/4" (870mm)	3'4 1/4" (1022mm)
CX9850/9850WDC-F/ 9950/9950WDC-F	2'10 1/4" (870mm)	3'4 1/4" (1022mm)
CX9857/9857-F/9957/9957-F	2'10 1/4" (870mm)	3'4 1/4" (1022mm)
CX9875/9875-F/9975/9975-F	2'10 1/4" (870mm)	3'4 1/4" (1022mm)

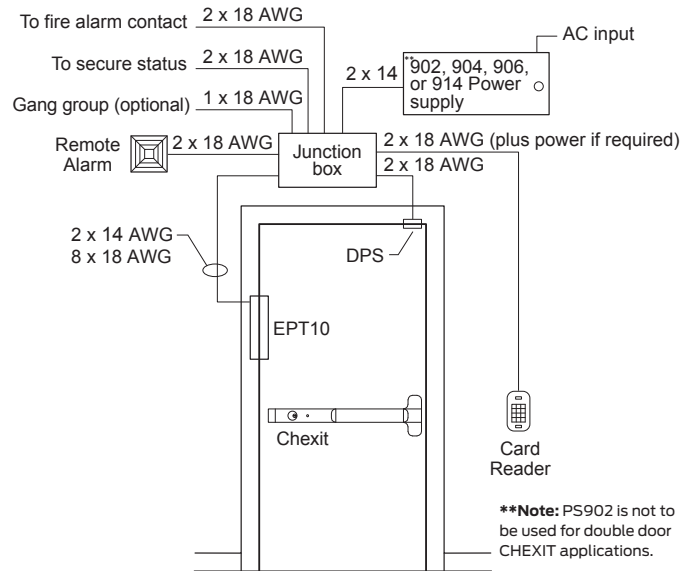


Figure 1. Riser Diagram, Single Door

## Electrical specifications

### Specifications / Power requirements\*

Input voltage – 24VDC

Input current inrush – 1.25A

Input current holding – 390mA

Alarm relay and Secure relay contact ratings – 24VDC, 1A

Fire alarm, Inhibit and Door position switch inputs require normally closed dry contacts.

## Power supply information for CX devices with motor driven blocking actuator\*.

Power supply	Maximum number of devices*
PS902 (up to 2 amps)	1 CHEXIT device
PS904 (up to 4 amps)	3 CHEXIT devices
PS906 (up to 6 amps)	4 CHEXIT devices
PS914 (up to 4 amps)	4 CHEXIT devices

When powering multiple components, verify that the amperage requirements of all components combined does not exceed the power supply output rating. Consult Installation Instructions for proper wire gauge and wire run requirements. Exceeding the recommended devices and/or not following Installation Instructions may void your warranty. For more information call Customer Care at 877-671-7011.

## How to order\*

1. Prefix product description number "CX". Ex: CX99L
2. Specify option. Ex: CX-RCM or CD-CX
3. Door size other than 3' (914mm).
4. Door thickness other than 1 3/4" (45mm).
5. Finish.
6. Handing, LHR or RHR. Required with "CD" option.

\*Note: The information listed in these pages reference the power supply and operating requirements for the redesigned CHEXIT with motor driven blocking actuator that launched August 24, 2015. For information on devices built previous to August 24, 2015, please contact Customer Care at 877-671-7011.

## RCM Remote Chexit Module

Designed to provide the concept of the Chexit delayed exit system for door sizes smaller than the standard device can accommodate. The Chexit module is installed in a control box and mounted in a remote location. Features and functions of the standard Chexit exit device are available on the RCM.

### Minimum door opening sizes for RCM devices

Consult factory for other size requirements.

Device	3' (914mm) Length	4' (1219mm) Length
CX-RCM33A/35A	2'5" (737mm)	2'11" (889mm)
CX-RCM3327A/3327A-F /3527A/3527A-F	2'4 1/2" (724mm)	2'10 1/2" (876mm)
CX-RCM3347A/3347A-F /3547A/3547A-F	2'4 1/2" (724mm)	2'10 1/2" (876mm)
CX-RCM3348A/3348A-F /3548A/3548A-F	2'4 1/2" (724mm)	2'10 1/2" (876mm)
CX-RCM3349A/3349A-F /3549A/3549A-F	2'4 1/2" (724mm)	2'10 1/2" (876mm)
CX3350/3350WDC-F/ 3550/3550WDC-F	2'4 1/2" (724mm)	2'10 1/2" (876mm)
CX-RCM 98/98-F/99/99-F	2'5" (737mm)	2'11" (889mm)
CX-RCM XP98/XP98-F/XP99/ XP99-F	2'5" (737mm)	2'11" (889mm)
CX-RCM 9827/9827- F/9927/9927-F	2'4 1/2" (724mm)	2'10 1/2" (876mm)
CX-RCM 9847/9847-F/9947/9947-F	2'4 1/2" (724mm)	2'10 1/2" (876mm)
CX-RCM 9848/9848-F/9948/9948-F	2'4 1/2" (724mm)	2'10 1/2" (876mm)
CX-RCM 9849/9849-F/9949/9949-F	2'4 1/2" (724mm)	2'10 1/2" (876mm)
CX-RCM 9850/9850WDC-F/ 9950/9950WDC-F	2'4 1/2" (724mm)	2'10 1/2" (876mm)
CX-RCM 9857/9857-F/9957/9957-F	2'4 1/2" (724mm)	2'10 1/2" (876mm)
CX-RCM 9875/9875-F/9975/9975-F	2'5 1/2" (743mm)	2'11 1/2" (902mm)

### Specifications / Power requirements\*

Size – 3.75" x 5.57" x 2.50"

Input voltage – 24VDC

Input current inrush – 1.25A

Input current holding – 390mA

Alarm relay and Secure relay contact ratings – 24VDC, 1A

Fire alarm, Inhibit and Door position switch inputs require normally closed dry contacts.

### How to order

See Chexit "How to order" on previous page.

\*Note: The information listed in these pages reference the power supply and operating requirements for the redesigned RCM modules with motor driven blocking actuator that launched August 24, 2015. For information on devices built previous to August 24, 2015, please contact Customer Care at 877-671-7011.

## DE5300 Delayed Egress System

**DE5300 Delayed Egress System** — Designed for controlled egress applications when used in conjunction with a magnetic lock. It meets both life safety and security needs, as well as the requirements of NFPA for "Special Locking Arrangement" and IBC "Special Egress-Control Devices". All control units, auxiliary locking, local alarm and remote signaling outputs are self-contained in the DE5300 assembly.

The DE5300 is commonly used on narrow stile doors where a standard or narrow stile Chexit is not practical. DE5300 Delayed Exit System uses a Chexit logic board and a Von Duprin RX-LC (low current request to exit) panic device to control a Schlage Electronics Direct Hold Magnetic Lock.

The Chexit module for the DE5300 is installed in a control box and mounted in the wall adjacent to the door. Features and functions of the standard Chexit exit device are available on the DE5300.

### Specifications / Power requirements\*

Size – 3.75" x 5.57" x 2.50"

Input voltage – 24VDC

Input current – 1A

Alarm relay and Secure relay contact ratings – 24VDC, 1A

Fire alarm, Inhibit and Door position switch inputs require normally closed dry contacts.

### How to order

1. DE5300
2. M420/P, M450/P, or M490/P magnetic lock  
(order direct from Schlage Electronics).
3. RX-LC 22/33A/35A/98/99 device.
4. PS900 Series
5. EPT-2/10

# CHEXIT, Remote Chexit Module (RCM) and DE5300 features

The Chexit, RCM and DE5300 devices have several features and options available to fit your needs.

## Inputs & Outputs

### Fire Alarm Input

Releases the door immediately upon a fire alarm allowing immediate egress. The Internal Alarm can be silenced during a fire input via an onboard switch setting.

### Inhibit Input (Access Control)

Optional input provides authorized egress or entry when the device is Armed using an external card reader, Key Switch, etc. Also allows remote reset of the Chexit, RCM or DE5300 in an alarmed condition. The ability to reset alarms with the inhibit input can be disabled via an onboard switch setting.

### Door Position Switch Input

An optional DPS can provide door position status additional security, ensuring that the door is closed, and can cause alarm when the door is left or forced open.

### Gang Bus

The Gang bus allows a device to signal other Chexit, RCM or DE5300 devices when it enters the Release Delay, allowing multiple doors to release at the same time in an emergency. Up to 8 devices may be connected to the Gang Bus.

### Alarm Relay Contacts

Control a Remote Alarm, such as a horn or lamp, or signal an external monitor. The contacts can be configured with a jumper as Normally Open or Normally Closed, and become active upon entering an alarmed condition.

### Secure Relay Contacts

Signal an external monitor. The contacts can be configured as Normally Open or Normally Closed with a jumper, and become active when the DPS indicates the door is closed and the Push Pad is locked.

## Delays

### Release Delay

When the Push Pad is actuated and the Nuisance Delay expires, the device enters the Release Delay with alarm. During the Release Delay, the Internal Alarm sounds, the Alarm Relay activates, and the device remains locked for 15 seconds (less any time already elapsed during the Nuisance Delay). Once started, the Release Delay sequence will not stop and the devices will unlock.

### Nuisance Delay

The Nuisance Delay is the brief time a Push Pad can be accidentally actuated before the Release Delay sequence starts. If the Nuisance Time is set to 0 seconds the device will enter Release Delay as soon as the Push Pad is actuated (when armed). Setting the Nuisance Time to 1, 2, or 3 seconds allows the Push Pad to be pressed for 1 to 3 seconds before the device goes into Release Delay. If the Nuisance Audio and Nuisance Delay are both on, the Internal Alarm will pulse during the Nuisance Delay. The Alarm Relay does not activate during the Nuisance Delay. If the Push Pad is released before the Nuisance Delay expires, the device will remain armed.

## Rearm Delay

The amount of time after the Key Switch or Inhibit Input is deactivated to when the device rearms. It is designed to give someone time to pass through the door before rearming occurs. The Rearm Time can be changed via the onboard switch settings from 0 and 28 seconds in 2 second increments. If the Rearm Time is set to 30 seconds and a DPS is used, if the door is opened and the Rearm Time expires, there will be no alarm. The device will rearm after the door is closed. If the door never opens, the device will rearm after 30 seconds. If not using a DPS, the device will always rearm in 30 seconds.

## DPS Delay

If the DPS detects that the door closed during the Rearm Delay, the device ends the Rearm Delay and allows 2 seconds for the latch to clear the strike before rearming.

## Interface

### Key Switch

Provides the means to Arm or Disarm/Reset the device. Turning the Key Switch clockwise initiates the Rearm Delay, and turning the Key Switch counter-clockwise Disarms/Resets the device. The Key Switch allows the key to be removed in either the Arm or the Disarm/Reset position.

### Status Indicator

The red Status Indicator flashes slow if the device is armed, flashes fast in an alarmed mode, is off when inhibited and on solid during Rearm Delay.

### Internal Alarm

The Internal Alarm sounds continuously during and after a fire alarm or a Release Delay, pulses fast during the Nuisance Delay or a tamper and pulses slow during Disarmed Powerup mode.

## Settings

### Armed Powerup

When set to OFF, a power disruption and power return will put the device in a disarmed, unlocked alarm mode.

### Trim Fail Safe / Fail Secure (FS/FSE)

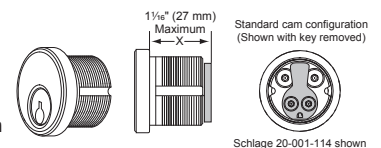
The trim input power can be set to FS (Fail Safe; locked when energized, unlocked when deenergized or during power failure) or FSE (Fail Secure; unlocked when energized, locked when deenergized or during power failure). The trim must be bought or modified to physically function as FS or FSE. This on board setting only selects the trim input power.

## Options

**Cylinder dogging** — Special center case cylinder dogging option is available to allow push/pull operation of the Chexit, when disarmed and used in a heavy traffic area. Prefix device with "CD" and specify handing.

**Cylinders** — Cylinders are not furnished with the Chexit, RCM or DE5300 devices and must be specified when ordering. Use 1 1/4" mortise cylinder with compression ring K510-406 with straight cam and orient cam as shown. Schlage cylinder 20-001-114 recommended for the device and the CD cylinder dogging option.

See Schlage Pricebook for additional information.



## About Allegion

Allegion (NYSE: ALLE) is a global pioneer in safety and security, with leading brands like CISA®, Interflex®, LCN®, Schlage®, SimonsVoss® and Von Duprin®. Focusing on security around the door and adjacent areas, Allegion produces a range of solutions for homes, businesses, schools and other institutions. Allegion is a \$2 billion company, with products sold in almost 130 countries. For more, visit [www.allegion.com](http://www.allegion.com).

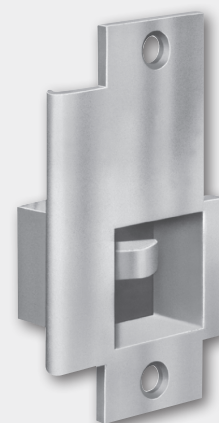
KRYPTONITE ■ LCN ■  ■ STEELCRAFT ■ VON DUPRIN



© 2019 Allegion  
010942, Rev. 12/19  
[www.allegion.com/us](http://www.allegion.com/us)

VON DUPRIN®

## Monitor strikes



### Overview

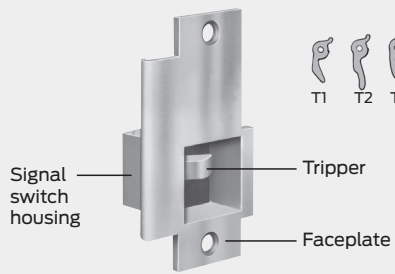
Monitor strikes are designed to offer remote door monitoring through the use of a signal switch mounted in the strike to monitor the latch bolt. This series of monitor strikes is designed for use with Von Duprin and most other manufacturers' rim, mortise, surface and concealed vertical rod exit devices and cylindrical, mortise and unit type locks.

The monitor strike replaces the standard door strike. The tripper in the monitor strike is depressed when the latch bolt is fully inserted in the strike. The stainless steel tripper activates an electric switch.

### Features and benefits

- UL listed as "miscellaneous door accessory"

## Monitor strike overview



Note: Tripper selection is based on the throw and shape of the latch bolt.

### Monitor strike electrical rating

SPDT switch (single pole double throw) 24VDC @ 2 Amps (resistive)



### Model specifications

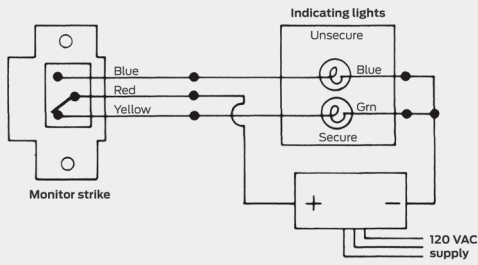
Model #	4263	4268-T1	4582
Lockset	Rim or surface vertical rod exit devices	Rim fire exit devices	Mortise or cylindrical locks
# Doors	Single or pair	Single or pair	Single or pair
Compatibility (with tripper type)	Von Duprin 22, T3 2227, T1 33A/35A, T3 3327A/3527A, T3 44, T1 55, T1 88, T1 8827, T1 98/99, T3 9827/9927, T1  Monarch Rim, T3 ( <sup>3</sup> / <sub>49</sub> " [19mm] throw)  Yale® 1500, T1 ( <sup>5</sup> / <sub>89</sub> " [16mm] throw)	Von Duprin 22/22-F 33A/35A 88/88-F 98/99 98-F/99-F	Schlage <sup>3</sup> / <sub>4</sub> " (19mm) Cyl., T2 L90, T2  Falcon <sup>5</sup> / <sub>8</sub> " (16mm) ML (LR), T2  Arrow™ <sup>5</sup> / <sub>8</sub> " (16mm) ML (LR), T1  Corbin Ruswin® <sup>5</sup> / <sub>8</sub> " (16mm) ML (LR) 5999 ML (LR), T2  Yale® <sup>5</sup> / <sub>8</sub> " (16mm) ML (LR), T2
Certifications		UL list (GXHX R4504) fire exit hardware	UL List (GXHX R4504) fire exit hardware
Application notes	1	2	3

#### Application notes:

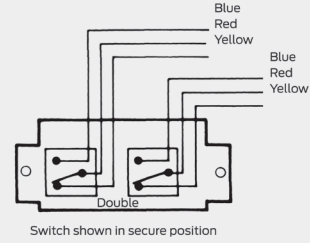
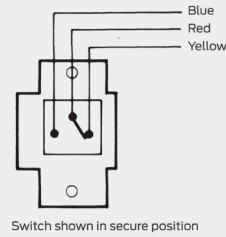
1. The 4263 is non-handed and features horizontal adjustment to compensate for misalignment of door and frame. 4263 may be used with a mullion. Tripper selection (-T1 or -T3) is based upon the lock to be used with.
2. The 4268 features horizontal adjustment to compensate for misalignment of door and frame. 4268-T1 is not for use with mullions.
3. For use on single or pair of doors with ANSI 115.3 frame cutout (frame modification required.) Tripper selection (-T1 or -T2) is based upon the lock to be used.



# Basic monitor strike circuit



Power supply same voltage as lamps with sufficient current capabilities



## Model specifications

Model #	4570-T1	4670-T1	4690-T2	4690-1-T2
Lockset	Cylindrical locks	Cylindrical locks	Concealed vertical rod exit devices	Concealed vertical rod exit devices
# Doors	Single or pair	Single or pair	Wide stile pair of doors	Narrow stile pair of doors
Compatibility (with tripper type)	Schlage 1/29" (13mm) Cyl. 5/89" (14mm) Cyl. Falcon 1/29" (13mm) Cyl. 9/169" (14mm) Cyl. Adams Rite® 4510 8400 Arrow™ 1/29" (13mm) Cyl. Best® 9/169" (14mm) Cyl. Corbin Russwin® 5/89" (16mm) Cyl. Dexter® 7/169" (11mm) Cyl. Kwikset® 1/29" (13mm) Cyl. Precision™ 1040 Automatic Flush Bolt <sup>1</sup> Sargent® 1/29" (13mm) Cyl. Yale® 1/29" (13mm) Cyl.	Schlage 1/29" (13mm) Cyl. 5/89" (14mm) Cyl. Falcon 1/29" (13mm) Cyl. 9/169" (14mm) Cyl. Adams Rite® 4510 8400 Arrow™ 1/29" (13mm) Cyl. Best® 9/169" (14mm) Cyl. Corbin Russwin® 5/89" (16mm) Cyl. Dexter® 7/169" (11mm) Cyl. Kwikset® 1/29" (13mm) Cyl. Precision™ 1040 Automatic Flush Bolt <sup>1</sup> Sargent® 1/29" (13mm) Cyl. Yale® 1/29" (13mm) Cyl.	Von Duprin 3347A-F 3347A 9947 9947F	Von Duprin 3347A
Certifications			UL list (GXHX R4504) fire exit hardware	
Application notes	1	2	3	4

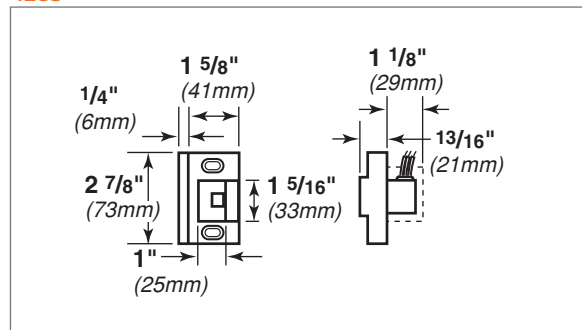
<sup>1</sup> Special template required

### Application notes:

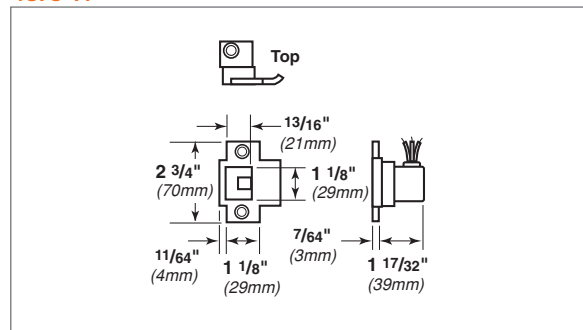
- For use on single or pair of doors with ANSI 115.2 frame cutout (frame modification required.) 4570-T1 is only used with T1.
- For use on single or double doors with ANSI 115.3 fame cutout (frame modification required.) 4670-T1 is only used with T1.
- For use with pair of doors where one leaf has concealed vertical rods. 4690-T2 is only used with T2.
- For use with pair of doors where both leaves have concealed vertical rods. 4690-1-T2 is only used with T2.

# Dimensions

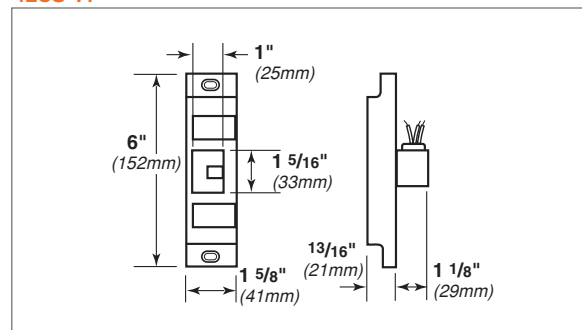
4263



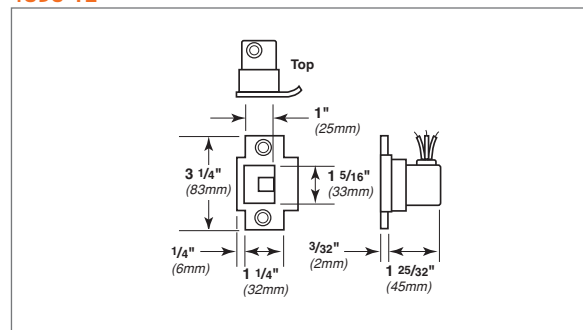
4670-T1



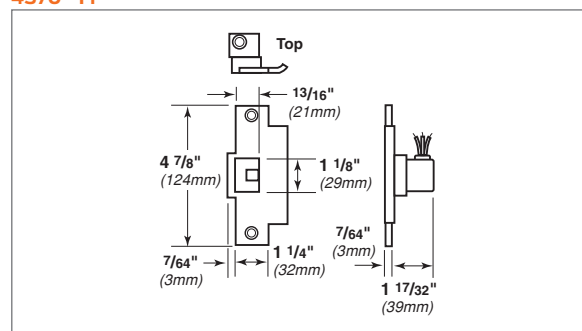
4268-T1



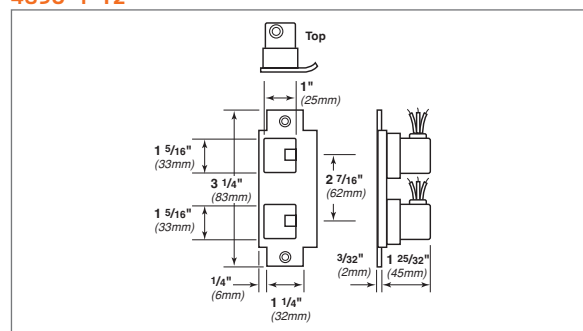
4690-T2



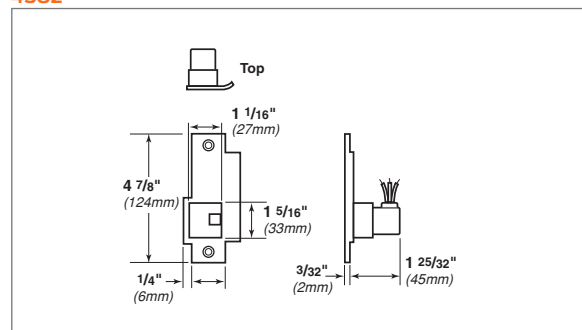
4570-T1



4690-1-T2



4582



## To order, specify

- Model
- Tripper T1, T2 or T3
- Handing required on model 4582
- Specify LHR or RHR
- Finish: US3, US4, US10, US10B, US26, US26D

Allegion, the Allegion logo, Von Duprin and the Von Duprin logo are trademarks of Allegion plc, its subsidiaries and/or affiliates in the United States and other countries. All other trademarks are the property of their respective owners.

## About Allegion

Allegion (NYSE: ALLE) is a global pioneer in safety and security, with leading brands like CISA®, Interflex®, LCN®, Schlage®, SimonsVoss® and Von Duprin®. Focusing on security around the door and adjacent areas, Allegion produces a range of solutions for homes, businesses, schools and other institutions. Allegion is a \$2 billion company, with products sold in almost 130 countries. For more, visit [www.allegion.com](http://www.allegion.com).

LCN®

# Electrohydraulic automatic operators



## Overview

LCN's electrohydraulic automatic operators integrate the 4000 Series mechanical closer to provide a smooth and easy manual opening experience for preliminary manual use applications. When activated, the door works as a fully functional low energy automatic operator to increase accessibility.

The low energy electric Auto Equalizer 4600 Series utilizes LCN's 4040XP mechanical closer to increase product life when the door is primarily used manually. When activated, a motor/clutch system drives the manual closer to automatically open the door.

The low energy pneumatic Auto Equalizer 4800/2600 Series provides quiet, smooth and reliable door operation and allows for use in hazardous locations where electronically operated devices are not permitted.

## Features and benefits

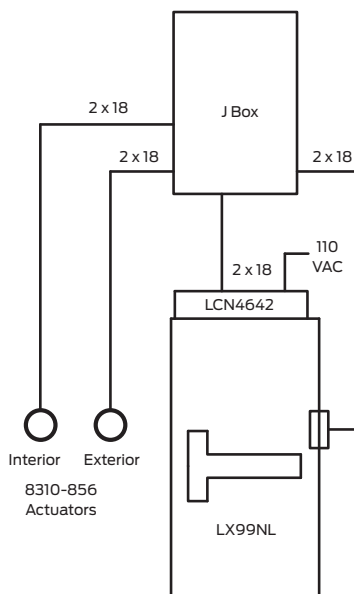
- UL Listed for self-closing doors without hold open under "Swinging door closers"
- Tested and certified under ANSI Standard A156.19
- ANSI Standard A117.1
- Electric Auto Equalizer has a no-destruct feature that allows clutch to slip when abused to reduce damage to the operator
- Digital control suite in electric Auto Equalizer has on-board diagnostics to ensure easy, trouble-free installation
- Pneumatic Auto Equalizer has easily adjustable air pressure and timing cycle to meet the needs of a specific installation
- Pneumatic Auto Equalizer is available in four different mounting configurations

Features	4600 Series	4800/2600 Series
Handed	No	No; Yes (2610)
Mounting options	Push (4640) Pull (4630)	Push (4820) Pull (4810) Parallel arm (4840) Concealed (2610)
On board power supply	Yes	No
Digital control box	Yes	No
Header length	33 1/2"	20"
Maintains memory after power loss	Yes	Yes
Adjustable manual open face	Yes	Yes
Blow open capability	No	Yes
Meets UL requirements	UL/cUL 325 and 228	UL 228

All electrohydraulic operators are available in seven standard or 150+ custom powder coated finishes.

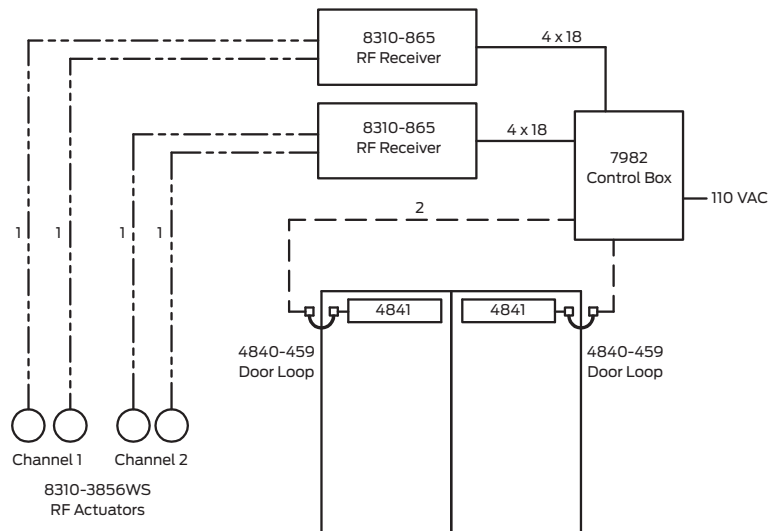
## Sample common applications

### Exterior retail entrance



Operation: When panic device is mechanically dogged both interior and exterior actuators will be enabled through LX switch. When device is undogged actuators will not function.

### Church/library entrance



Operation: Doors normally closed, not latched. Two 8310-3856WS actuators to independently signal each door to swing.

<sup>1</sup> Dashed/dotted lines indicate RF signal, not a wiring connection.

<sup>2</sup> Dashed lines indicate pneumatic 925 tubing.

Allegion, the Allegion logo, LCN and the LCN logo are trademarks of Allegion plc, its subsidiaries and/or affiliates in the United States and other countries. All other trademarks are the property of their respective owners.

## About Allegion

Allegion (NYSE: ALLE) is a global pioneer in safety and security, with leading brands like CISA®, Interflex®, LCN®, Schlage®, SimonsVoss® and Von Duprin®. Focusing on security around the door and adjacent areas, Allegion produces a range of solutions for homes, businesses, schools and other institutions. Allegion is a \$2 billion company, with products sold in almost 130 countries. For more, visit [www.allegion.com](http://www.allegion.com).

KRYPTONITE ■ LCN ■  ■ STEELCRAFT ■ VON DUPRIN



© 2019 Allegion  
01012, Rev. 12/19  
[www.allegion.com/us](http://www.allegion.com/us)

LCN®

## Electromechanical automatic operators



### Overview

The LCN® electromechanical automatic operators are designed for durability and extended performance when used in primarily automatic applications. The electromechanical gearbox acts as a manual closer when the door is not automated or power is lost.

The low energy electromechanical Senior Swing (2800 and 9500 Series) is LCN's toughest operator—designed specifically for medium to heavy duty use in mostly automated applications. The Senior Swing offers a digital control suite that provides precise control of a large range of built-in functions.

The low energy Benchmark operator (9100 Series) is designed for low to medium use commercial applications, also for primarily automated applications. With its slim design, the Benchmark is great for interior door applications when aesthetics are a concern.

### Features and benefits

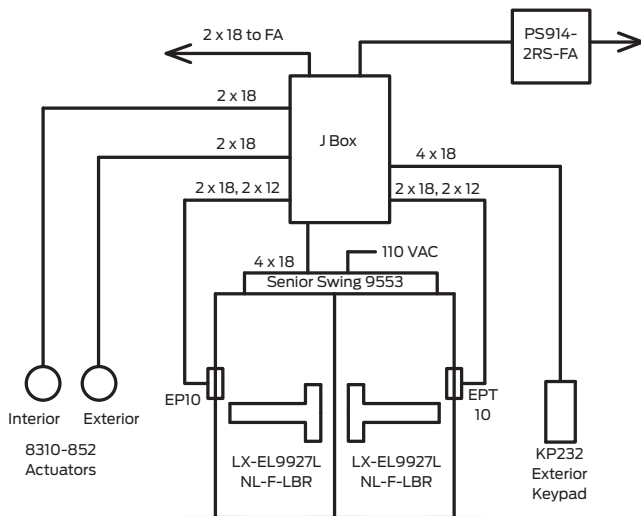
- UL Listed for self-closing doors without hold open, UL 325
- Tested and certified under ANSI 156.19
- ADA compliant
- Opening time from full close to backcheck is no faster than 3 seconds
- Less than 15 lbs. to open door manually
- On-board power supply (24VDC output) to power card readers, actuators and safety circuits

Features	2800 Series	9500 Series	9100 Series
Handed	Yes	Yes	No
Mounting options	Concealed 2810 (Single) 2850 (Sim. Pair) 2860 (Ind. Pair)	Surface 9530 (Push/Single) 9540 (Push/Single) 9550 (Sim. Pair) 9560 (Ind. Pair)	Surface 9130 (Pull) 9140 (Push) 9150 (Sim./Ind. Pair)
On board power supply	Yes	Yes	Yes
Digital control box	Yes	Yes	No
Header length	Variable- See LCN catalog	36" - 49" (single) 72" - 98" (double)	27" or 36" (single) 72" (double)
Maintains memory after power loss	Yes	Yes	Yes
Push 'n go	Yes	Yes	Yes
Power Boost	Yes	Yes	Yes
Simultaneous pair with single control box	Yes	Yes	No
Meets UL requirements	UL 325/228	UL 325/228	UL 325/228

All electromechanical operators are available in aluminum and dark bronze finishes.

## Sample common applications

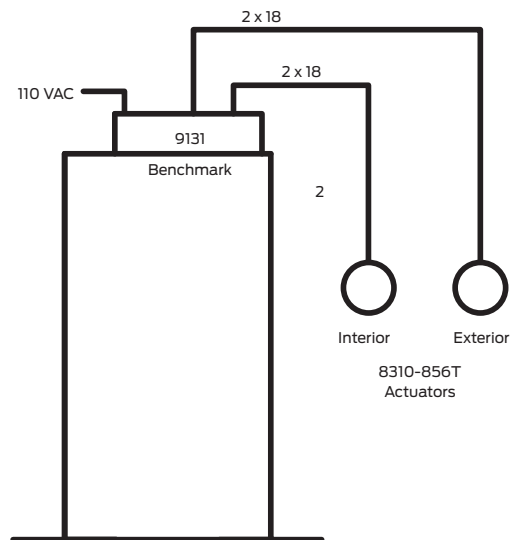
### Secure hospital hallway



Operation: KP232 keypad exterior to signal EL latch retraction and enable exterior actuator through LX switches in panic device. Interior actuator always active.

Fire alarm to extend EL latch and disable automatic operator.

### Restroom doors



Operation: No latching at this door. For a single occupancy restroom. Either actuator will open door at any time.

Allegion, the Allegion logo, LCN and the LCN logo are trademarks of Allegion plc, its subsidiaries and/or affiliates in the United States and other countries. All other trademarks are the property of their respective owners.

## About Allegion

Allegion (NYSE: ALLE) is a global pioneer in safety and security, with leading brands like CISA®, Interflex®, LCN®, Schlage®, SimonsVoss® and Von Duprin®. Focusing on security around the door and adjacent areas, Allegion produces a range of solutions for homes, businesses, schools and other institutions. Allegion is a \$2 billion company, with products sold in almost 130 countries. For more, visit [www.allegion.com](http://www.allegion.com).

KRYPTONITE ■ LCN ■  ■ STEELCRAFT ■ VON DUPRIN

## Electrical data

2800, 9500 Series

- 120 VAC 60Hz input at 2.5 AMPS (2800 and 9500 Series)
- 240 VAC 50/60 Hz at 2.5 AMPS (2800 and 9500 Series)
- 24 VDC output at 1.5 AMPS (protected by self-resetting thermal fuse)

9100 Series

- 120 VAC 60Hz input at 1 AMPS
- 24 VDC output at 2.5 AMPS



ALLEGION™

© 2020 Allegion  
010113, Rev. 09/20  
[www.allegion.com/us](http://www.allegion.com/us)

LCN®

## Fire/life safety closers/holders series



### Overview

Sentronic Series LCN closers/holders combine heavy duty closers with electrically controlled hold-open functions to control fire and smoke barrier doors. Automatic detection and containment of fire and smoke are the best ways to minimize danger to life and property. Patented Sentronic door closer/holders are designed to hold swinging doors open in normal use then release and automatically close the doors under fire conditions. These products integrate into your complete fire and life safety system.

LCN's fire/life safety closers/holders series includes:

- SE Series - offers adjustable single-point hold-open function controlled by solenoid assembly located in the SE track
- ME Series - offers infinitely adjustable, multi-point hold-open function controlled by solenoid on the cylinder assembly
- SEM Series - Electromagnetic door holders work with manual door closer to provide single-point hold-open
- HSA Series - Best suited for high traffic emergency doors, this product provides easy passage for groups of pedestrians through high traffic doors with electronically controlled closer/holder

### Features and benefits

- Conforms to NFPA 101 and ANSI 156.15
- 24V AC/DC or 120V AC input
- When current is interrupted, hold-open releases and door closes
- Adjustable hydraulic backcheck cushions opening swing prior to 90°
- Separate regulation of general closing speed and latching speed
- Available in wide range of powder coated finishes to blend with door and frame (SEM magnets available in aluminum and dark bronze only)
- Circuit automatically handles AC or DC input
- Can be pushed safely and easily out of hold-open
- Functions as full rack and pinion door closer when hold-open is not engaged or current is interrupted
- High strength cast iron cylinder
- Forged steel main arm and piston
- All weather fluid



## Holding solenoids current draw

### SE/ME

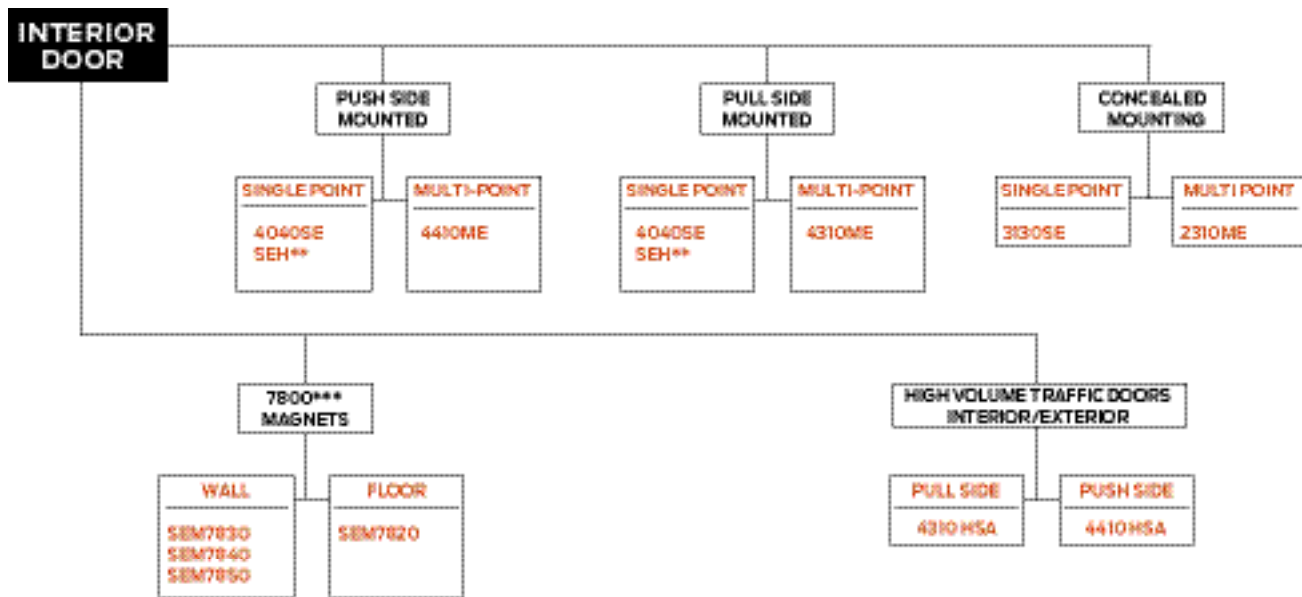
- 24V AC/DC (+10% - 15%) at 90 mA maximum
- 120V AC/DC (+10% - 15%) at 30 mA maximum

### SEM (tri-volt)

- 12V DC (+10% - 15%) at 30 mA maximum
- 24V AC/DC (+10% - 15%) at 20 mA maximum
- 120V AC/DC (+10% - 15%) at 20 mA maximum

### HSA

- 24V AC/DC (+10% - 15%) at 120 mA maximum



\*\* See SBH section (cylinder not included).

\*\*\* SBM 7800 Series are die cast.

Allegion, the Allegion logo, LCN and the LCN logo are trademarks of Allegion plc, its subsidiaries and/or affiliates in the United States and other countries. All other trademarks are the property of their respective owners.

## About Allegion

Allegion (NYSE: ALLE) is a global pioneer in safety and security, with leading brands like CISA®, Interflex®, LCN®, Schlage®, SimonsVoss® and Von Duprin®. Focusing on security around the door and adjacent areas, Allegion produces a range of solutions for homes, businesses, schools and other institutions. Allegion is a \$2 billion company, with products sold in almost 130 countries. For more, visit [www.allegion.com](http://www.allegion.com).

KRYPTONITE ■ LCN ■  ■ STEELCRAFT ■ VON DUPRIN



© 2019 Allegion  
010115, Rev.12/19  
[www.allegion.com/us](http://www.allegion.com/us)

LCN®

## Actuators and sensors



### Overview

LCN actuators and sensors are designed to be used with LCN automatic operators. The desired function, traffic patterns and physical design of the opening will determine the type of actuator used.

Safety and activation sensors are designed to protect pedestrians and help prolong the life of an automatic operator. LCN safety sensors can be used on all automatic operators.

LCN also offers a full line of activation device accessories, including surface and flush mounted boxes, weather rings, escutcheons, wireless transmitters and receivers (1 channel), key chain activation devices (up to 4 buttons), sequencers, and a bollard post (used with 4 3/4" square actuator.)

### Features and benefits

- Complies with ANSI 156.19
- Can be ordered individually or in kits that combine common products for a specific application
- Beveled edges provide a tamper and vandal resistant solution to push plate needs, allowing no room for objects to get between plate and mounting box
- An all-active plate activates with any "push" location
- Stainless steel finish will not deteriorate or rust where it is touched — scratch and scuff resistant
- All activation push plates are available with ADA logo art and text or with ADA logo art only
- Text and ADA Compliant logo art are baked onto the surface for added durability
- Active-style wheelchair push plates now available

## Stainless steel push plates

### Round push plates



6" Round style push plate



4 1/2" Round style push plate

### Square push plates



4 3/4" Square style push plate

### Jamb push plates



Jamb style push plate



Dual jamb style push plate

## Ready mount actuators



6" Slim profile push plate



4 3/4" Square style push plate



36" x 6" Full length actuator

## Touchless actuators



8310-810R



8310-813R



8310-815



8310-816R

## Sensors



Door mount Safety sensor



Header mount Safety sensor



Monitored Safety Sensor Kit

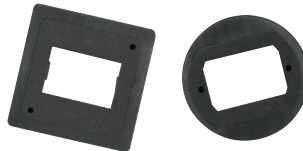
## Actuator accessories

LCN offers a full line of activation device accessories, including: surface and flush mounted boxes, weather rings, escutcheons, wireless transmitters and receivers (1 channel), key chain activation devices (up to 4 buttons), sequencers, and a bollard post (used with 4 3/4" square actuator)

### Mounting boxes



### Weather rings



### Bollard post



### Wireless transmitters/receivers



Allegion, the Allegion logo, LCN and the LCN logo are trademarks of Allegion plc, its subsidiaries and/or affiliates in the United States and other countries. All other trademarks are the property of their respective owners.

## About Allegion

Allegion (NYSE: ALLE) is a global pioneer in safety and security, with leading brands like CISA®, Interflex®, LCN®, Schlage®, SimonsVoss® and Von Duprin®. Focusing on security around the door and adjacent areas, Allegion produces a range of solutions for homes, businesses, schools and other institutions. Allegion is a \$2 billion company, with products sold in almost 130 countries. For more, visit [www.allegion.com](http://www.allegion.com).

KRYPTONITE ■ LCN ■ SCHLAGE ■ STEELCRAFT ■ VON DUPRIN



ALLEGION™

© 2020 Allegion  
010114, Rev. 9/20  
[www.allegion.com/us](http://www.allegion.com/us)



SCHLAGE

# Readers



This section of the Electronic Access control catalog covers Schlage mobile enabled multi-technology, multi-technology, smart, proximity, keypad and enrollment readers and accessories.

## Mobile enabled multi-technology readers

Schlage mobile enabled multi-technology readers are designed to simplify your access control solutions and eases the transition from an existing proximity system to a secure encrypted card technology or mobile solution at your own pace -- without having to change readers. Models are available to fit any need and operate with multiple credential form factors including wristbands, cards, fobs and tags.

- **MTB11:** Mobile enabled; Mullion mount
- **MTB15:** Mobile enabled; Single gang mount
- **MTKB15:** Mobile enabled; Single gang mount with keypad
- **MT15:** Single gang mount
- **MTK15:** Single gang mount w/ keypad
- **MTMS15:** Magnetic Stripe Reader Wall Mount
- **MTMSK15:** Magnetic Stripe Reader Wall Mount with Keypad
- Schlage multi-technology readers contain NFC, 125 kHz proximity and 13.56 MHz contactless smart card capability in one-unit handling multiple formats simultaneously; mobile enabled models can also read 2.4 GHz mobile credentials
- Wiegand and RS-485 output available for simple interface with most access control panels
- Compatible with NFC-open smart devices
- Limited lifetime warranty
- See datasheet for additional features

## Smart readers

- The Schlage SM10 mini-mullion smart reader is one of the most secure readers in the industry. Instead of using open transmission protocols, the SM10 smart card reader utilizes high security data. Each message between the card and the reader is digitally signed using message authentication coding (MAC) to ensure the integrity of the data.
- In addition, smart reader technology can be used in applications such as logical access, cashless vending and cafeteria services.

## Proximity readers

Schlage's low-frequency proximity reader is an approachable solution that integrates seamlessly with access control systems. Schlage's proximity readers are sleek, compact and provide a cost-effective option for applications requiring lower security. The mini-mullion design makes the readers ideal for installation in tight spaces. The PR10 recognizes most industry leading 125 kHz proximity credentials and can be easily integrated into existing legacy proximity systems.

- PR10: Mini-Mullion Mount
- Reads 125 kHz proximity credentials
- Wiegand output for simple interface with most access control panels
- LED (red, green or amber) visual indicator and other industry manufacturers' credentials
- Limited lifetime warranty
- Compatible with Schlage and other industry manufacturers' credentials
- See datasheet for additional features

## Additional supporting readers

Schlage offers an extensive range of reader technologies to meet any business need. Complementing the Schlage multi-technology, smart technology and proximity technology reader options include: keypads, scramble keypads, magnetic stripe, and bar code readers and encoders.

- OEM200
- SMR10 Magnetic Stripe Reader
- SMR20 Magnetic Stripe Reader
- SMR5 Magnetic Stripe Reader
- SERIII-W Scramble Keypad Reader
- SEKPDWG Electronic Keypad Reader
- SEKPDMGW Electronic Keypad Reader
- CRP2 Enrollment Reader
- CL-ENCODER2 Magnetic Stripe Credential Encoder

Allegion, the Allegion logo, Schlage and the Schlage logo are trademarks of Allegion plc, its subsidiaries and/or affiliates in the United States and other countries. All other trademarks are the property of their respective owners.

### About Allegion

Allegion (NYSE: ALLE) is a global pioneer in safety and security, with leading brands like CISA®, Interflex®, LCN®, Schlage®, SimonsVoss® and Von Duprin®. Focusing on security around the door and adjacent areas, Allegion produces a range of solutions for homes, businesses, schools and other institutions. Allegion is a \$2 billion company, with products sold in almost 130 countries. For more, visit [www.allegion.com](http://www.allegion.com).

KRYPTONITE ■ LCN ■  ■ STEELCRAFT ■ VON DUPRIN



© 2020 Allegion  
005025, Rev. 09/20  
[www.allegion.com/us](http://www.allegion.com/us)



## Mobile enabled multi-technology readers



### Overview

The Schlage® mobile enabled multi-technology readers are designed to simplify your access control solutions and eases the transition from an existing proximity system to a secure encrypted card technology or mobile solution at your own pace—without having to change readers. Three available models fit any need and operate with multiple credential form factors including wristbands, cards, fobs and tags.

- MTB11: Mullion mount mobile enabled multi-technology reader
- MTB15: Single gang mount mobile enabled multi-technology reader
- MTKB15: Single gang mount mobile enabled multi-technology with keypad reader

Schlage mobile enabled multi-technology readers are designed to provide flexible options for making the move to secure mobile credentials at your own pace. Our contactless readers provide both a modern look and an advanced feature set. Designed with technology to support Bluetooth, NFC (Near Field Communication), smart credentials (13.56 MHz) and standard proximity credentials (125 kHz) end users have the ability to define their migration path to secure credentials.

### Features and benefits

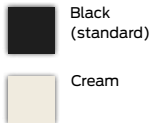
Each Schlage mobile enabled, multi-technology reader contains 125 kHz proximity, 13.56 MHz smart and 2.4 GHz Bluetooth circuitry enabling the ability to process multiple formats simultaneously. Wiegand, Clock & Data, and RS-485 outputs come standard for simple interface with most access control panels.

- Compatible with Bluetooth and NFC-open smart phones
- Clock & Data, Wiegand and RS-485 outputs standard
- Plug & Play mode for straight out of the box functionality
- Commission via ENGAGE™ mobile app for reader updates and easy configuration.
- Improved voltage range of 5V to 28V for simplified power management
- Accommodates interior, exterior, metal and non-metal installation environments
- Improved quick-connect cable allows for easy installation
- Easy-to-install mounting bracket
- Available finishes include: Black (standard) and cream



Model	MTB11	MTB15	MTKB15
Reader type	Mobile enabled multi-technology	Mobile enabled multi-technology	Mobile enabled multi-technology with keypad
Mounting style	Mullion	Single gang	Single gang
Standards	ISO 14443A, ISO 15693		
Certifications	FCC Certification - IC Certification - UL 294/cUL Listed - RED Directive - CE Mark - IP65 - REACH - Bluetooth SIG - RoHS 3		
Frequency	2.4 GHz, 13.56 MHz and 125 kHz		
FIPS 201 compliant	No		
Technology supported			
CSN <sup>1</sup>	✓	✓	✓
Proximity <sup>2</sup>	✓	✓	✓
Smart <sup>3</sup>	✓	✓	✓
Mobile (NFC) <sup>4</sup>	✓	✓	✓
Mobile (Bluetooth) <sup>4</sup>	✓	✓	✓
Read range (Based on ISO Card form factor)			
Prox FSK	Up to 2.25" (5.7 cm)	Up to 4.5" (11.4 cm)	Up to 4.5" (11.4 cm)
Prox ASK	Up to 2.0" (5.1 cm)	Up to 3.75" (9.5 cm)	Up to 3.75" (9.5 cm)
MIFARE Classic® EV1	Up to 2" (5.1 cm)	Up to 2.25" (5.7 cm)	Up to 2.25" (5.7 cm)
MIFARE Plus®	Up to 1" (2.5 cm)	Up to 1.5" (3.8 cm)	Up to 1.5" (3.8 cm)
MIFARE® DESFire® EV1	Up to 1.25" (3.2 cm)	Up to 1.75" (4.4 cm)	Up to 1.75" (4.4 cm)
MIFARE® DESFire® EV2	Up to 2" (5.1 cm)	Up to 2.25" (5.7 cm)	Up to 2.25" (5.7 cm)
Schlage Mobile Credential (Bluetooth) (short range-standard)	Up to 5' (1.5 m)	Up to 5' (1.5 m)	Up to 5' (1.5 m)
Schlage Mobile Credential (Bluetooth) (long range-optional)	Up to 30' (9.1 m)	Up to 30' (9.1 m)	Up to 30' (9.1 m)
System interface	Wiegand / Clock & Data / RS-485 (OSDP, OSDP Secure)		
Voltage range	5-28 VDC		
Current requirements	80mA Average (190mA Peak) @12V 45mA Average (100mA Peak) @24V	80mA Average (190mA Peak) @12V 45mA Average (100mA Peak) @24V	80mA Average (200mA Peak) @12V 45mA Average (105mA Peak) @24V
Pigtail specification	22 AWG, 12 conductor, 12" length		
Tamper	Yes		
Physical dimensions	5.91" x 1.72" x 0.81" 15 cm x 4.4 cm x 2.1 cm	5.1" x 3.25" x 0.76" 12.9 cm x 8.3 cm x 1.9 cm	5.1" x 3.25" x 0.76" 12.9 cm x 8.3 cm x 1.9 cm
Operating temperatures	-40° to 158° F (-40° to 70° C)		
Weight	3.8 oz	6.0 oz	6.1 oz

## Color options



- 1 DESFire® CSN, HID iCLASS® CSN, Inside Contactless PicoTag® CSN, ST Microelectronics® CSN, Texas Instruments Tag-It® CSN, Phillips I-Code® CSN
- 2 Schlage® Proximity, HID® Proximity, GE/CASI® Proximity, AWID® Proximity, LenelProx®
- 3 Schlage smart cards using MIFARE Classic® EV1, Schlage smart cards using MIFARE Plus®, Schlage smart cards using MIFARE® DESFire® EV1, Schlage smart cards using MIFARE® DESFire® EV2
- 4 Compatible with Bluetooth and NFC-enabled smartphones

## About Allegion

Allegion (NYSE: ALLE) is a global pioneer in safety and security, with leading brands like CISA®, Interflex®, LCN®, Schlage®, SimonsVoss® and Von Duprin®. Focusing on security around the door and adjacent areas, Allegion produces a range of solutions for homes, businesses, schools and other institutions. Allegion is a \$2 billion company, with products sold in almost 130 countries. For more, visit [www.allegion.com](http://www.allegion.com).







## Multi-technology readers



### Overview

Schlage® multi-technology readers are designed to simplify your access control solutions and allow a transition from existing population proximity or magnetic stripe to more secure encrypted card technology at your own pace—without having to change readers as new technologies are available. Five available models to fit any need and works with multiple form factors including wristbands, cards, fobs and tags.

MT11: Mullion mount multi-technology reader

MT15: Single gang mount multi-technology reader

MTK15: Single gang mount multi-technology reader with keypad reader

MTMS15: Single gang mount multi-technology reader with magnetic stripe reader

MTMSK15: Single gang mount multi-technology reader with magnetic stripe reader and keypad

### Features and benefits

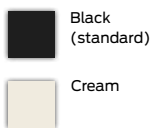
Schlage multi-technology readers contain both 125 kHz proximity and 13.56 MHz contactless smart card capability in one-unit handling multiple formats simultaneously. Wiegand and RS-485 output available for simple interface with most access control panels.

- Compatible with NFC-enabled mobile devices
- Limited lifetime warranty
- Accommodates interior, exterior, metal and non-metal installation environments
- Quick-connect cable allows for easy installation
- Easy-to-install mounting bracket
- Available finishes include: Black (standard), cool-tone gray, cream and warm-tone brown



Model*	MT11	MT15	MTK15	MTMS15	MTMSK15	
Reader type	Multi-technology mullion		Multi-technology single gang	Multi-technology with keypad single gang	Multi-technology with magnetic stripe and keypad	
Frequency	13.56 MHz and 125 kHz		13.56 MHz and 125 kHz and magnetic stripe			
FIPS 201-1 & 201-2 compliant	Yes					
Standard default PIV output	75 bit PIV**					
Standards	SO 14443A, 14443B, 15693					
Certifications	FCC Certification · IC Certification · UL 294 Listed · RED Directive (15 EU Countries) · CE Mark · IP65					
Voltage range	5-16 VDC					
Power supply	Linear DC					
Current requirement (at 12 VDC and 25 C; mAmps)	MT11 Avg. 100 mA Peak 170 mA	MT11-485 Avg. 115 mA Peak 145 mA	MT15 & MT15-485 Avg. 120 mA Peak 200 mA	MTK15 & MTK15-485 Avg. 120 mA Peak 230 mA	MTMS15 & MTMS15-485 Avg. 120mA Peak 200mA	MTMSK15 & MTMSK15-485 Avg. 120mA Peak 230mA
Read range	Proximity: Up to 5" (12.7 cm) MIFARE Classic: Up to 4" (10 cm) MIFARE Plus: Up to 1" (2.5 cm) MIFARE DESFire EV1 / EV2: Up to 2" (5.1 cm) PIV credential: Up to 2.5" (6.5 cm)					
Cable specification	18 AWG, 5 conductor stranded/shielded					
System interfaces	Wiegand / Clock & Data / RS-485*** (OSDP)					
Cabling distance	Wiegand output: 500 ft (152 m)					
Physical dimensions (H x W x D)	5.91" x 1.72" x 0.81" 15 cm x 4.4 cm x 2.1 cm	5.1" x 3.25" x 0.76" 12.9 cm x 8.3 cm x 1.9 cm	5.1" x 3.25" x 0.76" 12.9 cm x 8.3 cm x 1.9 cm	4.43" x 5.17" x 1.15" 11.25 cm x 13.13 cm x 2.92 cm	4.43" x 5.17" x 1.15" 11.25 cm x 13.13 cm x 2.92 cm	
Operating temperatures	-40° to 158°F (-40° to 70°C)	-40° to 158°F (-40° to 70°C)	-40° to 158°F (-40° to 70°C)	-31° to 151°F (-35° to 67°C)	-31° to 151°F (-35° to 67°C)	
Weight	5.7 oz	9.1 oz	9.3 oz	8.9 oz	9.5 oz	
Material	PBT Polymer					
Technologies supported in default mode						
Schlage Proximity	■	■	■	■	■	
HID® Proximity	■	■	■	■	■	
GE/CASI ProxLite®	■	■	■	■	■	
AWID® Proximity	■	■	■	■	■	
LenelProx®	■	■	■	■	■	
Schlage smart cards using MIFARE Classic	■	■	■	■	■	
Schlage smart cards using MIFARE Plus	■	■	■	■	■	
Schlage smart cards using MIFARE DESFire EV1 and EV2	■	■	■	■	■	
DESFire® CSN	■	■	■	■	■	
HID iCLASS® CSN	■	■	■	■	■	
Inside Contactless PicoTag® CSN	■	■	■	■	■	
ST Microelectronics® CSN	■	■	■	■	■	
Texas Instruments Tag-It® CSN	■	■	■	■	■	
Phillips I-Code® CSN	■	■	■	■	■	

## Color options†



- \* Some features and benefits listed on the front may not be applicable to the smart-only and proximity-only readers. Other output options available through configuration.
- \*\* Other output options available through configuration.
- \*\*\* RS-485 model numbers include "-485" after the original model number. For example, MT11-485 is the RS-485 version of the multi-technology mini-mullion reader. Multi-drop, Open Standard Device Protocol (OSDP).
- † Lead time may apply for non-standard colors

## About Allegion

Allegion (NYSE: ALLE) is a global pioneer in safety and security, with leading brands like CISA®, Interflex®, LCN®, Schlage®, SimonsVoss® and Von Duprin®. Focusing on security around the door and adjacent areas, Allegion produces a range of solutions for homes, businesses, schools and other institutions. Allegion is a \$2 billion company, with products sold in almost 130 countries. For more, visit [www.allegion.com](http://www.allegion.com).





# Reader accessories

## Overview

Choosing the right electronic access control solution is at the heart of your company's security ecosystem – whether used only for access control, or for other applications such as cashless vending, logical access, transportation or biometric data—choosing the right credential and reader system for your current needs—and for what might happen—in the future is critical.

Schlage® offers a variety of accessories and replacement parts to ensure your readers are always performing well.

### Reader covers

Replacement reader covers can be used to replace faded or cracked covers and to change the color of your readers along with any updates to the facility's décor. We offer four color options – black, cream, cool tone gray and warm tone brown.

### Cosmetic backplate covers

While replacing legacy readers with Schlage readers, the footprint of the legacy reader may be larger than that of the new reader. Cosmetic backplate covers accommodate this issue. Available in three sizes, our cosmetic backplate covers are designed to cover holes and unpainted areas that you do not wish to invest time and money to repair.

### Quick-connect cable

The quick connect cable allows the installer to connect the necessary reader wires without the hassle of a reader case hanging off the other end. Simply connect the wiring harness and plug the reader in, it's that easy. Every reader already comes with a quick-connect cable, but you can order the cable separately if you need extras.

### Other accessories

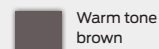
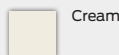
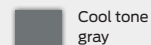
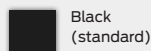
Following repeated use, the magnetic stripe read head in a reader can wear down. We offer a replacement magnetic stripe read head for our Schlage multi-technology magnetic stripe readers.

Reader mounting backplates are designed as a quick mounting bracket for a simplified installation process. Every reader comes with a reader backplate, but you can also order these separately if you need replacements and extras.



### Reader covers

#### Color options



### Cosmetic backplate covers



### Quick-connect cable

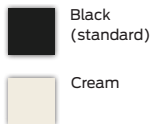


Part number	Black	23846520	23846553	23846587	23846611	24064149	24064198
	Brown	23846546	23846579	23846603	23846637	24064156	24064206
	Gray	23846538	23846561	23846595	23846629	24064172	24064222
	Cream	23920648	23920655	23920598	23920606	24064164	24064214
Corresponding reader model	PR10 and SM10	MT11	MT15	MTK15	MTMS15	MTMSK15	
Reader type	Mini-mullion	Mullion	Single gang	Single gang with keypad	Magnetic stripe	Magnetic stripe with keypad	
Dimensions (HxWxD)	4.26" x 1.72" x 0.81"	5.91" x 1.72" x 0.81"	5.1" x 3.25" x 0.76"	5.1" x 3.25" x 0.76"	4.43" x 5.17" x 1.15"	4.43" x 5.17" x 1.15"	
Material	PNT polymer	PNT polymer	PNT polymer	PNT polymer	PNT polymer	PNT polymer	PNT polymer



Part	Cosmetic backplate cover	Quick connect cable/pigtail – 18 inch	Magnetic stripe read head	Mounting backplate
Part number	Mini-mullion/mullion	CP-11	23846462	47252693
	Single gang	CP-15		
	Mid range	CP-21		
	Dimensions	Mini-mullion/mullion	6.70" x 2.50"	N/A
	Single gang	5.65" x 3.85"		
	Mid-range	6.45" x 5.50"		
				5.1" x 3.25" x 0.76"

## Color options



Allegion, the Allegion logo, Schlage and the Schlage logo are trademarks of Allegion plc, its subsidiaries and/or affiliates in the United States and other countries. All other trademarks are the property of their respective owners.

## About Allegion

Allegion (NYSE: ALLE) is a global pioneer in safety and security, with leading brands like CISA®, Interflex®, LCN®, Schlage®, SimonsVoss® and Von Duprin®. Focusing on security around the door and adjacent areas, Allegion produces a range of solutions for homes, businesses, schools and other institutions. Allegion is a \$2 billion company, with products sold in almost 130 countries. For more, visit [www.allegion.com](http://www.allegion.com).

KRYPTONITE ■ LCN ■ **SCHLAGE** ■ STEELCRAFT ■ VON DUPRIN



© 2019 Allegion  
009621, Rev.12/19  
[www.allegion.com/us](http://www.allegion.com/us)



# Enrollment readers

## Overview

Schlage® offers a comprehensive portfolio of electronic access control solution products. Create a simple enrollment process with the Schlage CRM2 magnetic stripe enrollment reader, Schlage CRP2 proximity enrollment reader or the Schlage MT20 USB multi-technology enrollment reader with ENGAGE technology.



## Features and benefits

### CRM2 Magnetic Stripe Credential Enrollment Reader and CRP2 Proximity Credential Enrollment Reader

- Design allows easy enrollment of credentials into the Schlage Express access control system (version 4.0 and higher)
- Eliminates the need for manual data entry and provide error-free identification and security throughout the facility
- Allows for keystrokes to be added before and after the card's data, providing flexibility and data customization
- Reads data from any data track location on the card
- USB connectivity
- Plug-and-play functionality

### The Schlage MT20 Multi-Technology Enrollment Reader

- Design simplifies the enrollment of smart and multi-technology credentials
- Access rights can be assigned to a user without property staff having to visit the lock
- USB cable powers the device
- Use Wi-Fi connection for enrollment including no-tour credentials
- Use a computer and the ENGAGE web app to easily enroll credentials
- Recognizes Schlage smart and multi-technology credentials
- Limited Lifetime Warranty

**CYBERSECURITY**

Learn about Allegion's commitment



Model	MT20
Reader type	USB
Software and operating system requirements	N/A - USB
Bit formats recognized	26A, 32X, 34N, 34S, 35C, 37X, 37H, 40X
Technologies supported	Schlage Proximity HID® Proximity GE/CASI ProxLite® AWID® Proximity LenelProx® Schlage MIFARE Classic Secure Sector Schlage MIFARE Plus Secure Sector Schlage MIFARE DESFire EV1 or EV2 with PACSA Secure Sector DESFire® CSN HID iClass® CSN Inside Contactless PicoTag® CSN ST Microelectronics® CSN Texas Instruments Tag-It® Serial Number Phillips I-Code® CSN
Physical dimensions (L x W x H)	5.56" x 2.00" x .695"
Operating temperatures	32° to 104° F (0° to 40° C)
Weight	4.1 oz
Power supply	Connect to powered USB port or via USB power supply
Interface	USB
Current requirement	160 mA
Default configuration	CE-401-073, for use with ENGAGE web applicaton
Octal output	CE-401-061, for use with SMS Express
FC/BID output	CE-401-060 (SUSB89 default,) for use as keystroke emulator
BID only	CE-401-069, for use as keystroke emulator



Model	CRP2
Typical maximum read range	1.0" – 3.0" (2.5 – 7.6 cm) dependent upon proximity card type and environmental conditions
Dimensions (H x W x D)	3 3/8" x 2" x 0.6"
Weight	0.45 lbs (12.7g)
Power supply and interface	USB self-powered
Indicators	Tri-state LED, beeper
Transmit frequency	125 kHz
Operating temperature range	-22° to 150°F (-30° to 65°C)
Operating humidity range	5% to 95% relative humidity, non-condensing
Storage temperature range	-40° to 185°F (-40° to 85°C)
Certifications	FCC, United States; CE Mark Europe, C-tic Australia, RoHS
Warranty	One year for material/workmanship and defects



Model	CRM2
Desktop dimensions (H x W x D)	3.674" x 1.325" x 1.193" (93.32 x 33.65 x 30.3 mm); Optional base: 3.375" x 3.5" x 0.5" (86 x 89 x 13 mm)
Desktop weight	4.6 oz (136 g); Base: 13 oz (369 g)
Media thickness	0.015" (0.127 mm) to 0.038" (1.14 mm)
Slot width	0.040" (1.0 mm)
Swipe speed	3 to 60 inches per second, bi-directional
Power supply and interface	USB: self-powered; RS-232 [DB9F] model: 5V supplied by either PS/2 keyboard pass-through or USB power tap
Indicators	Tri-state LED, beeper
Operating temperature range	32° to 131°F (0° to 55°C)
Operating humidity range	5% to 95% relative humidity, non-condensing
Storage temperature range	-22° to 158°F (-30° to 70°C)
Cable length	6 foot articulated cable
Operating life	1,000,000 cycles minimum
Warranty	One year for material/workmanship and defects

Allegion, the Allegion logo, Schlage, and the Schlage logo are trademarks of Allegion plc, its subsidiaries and/or affiliates in the United States and other countries. All other trademarks are the property of their respective owners.

## About Allegion

Allegion (NYSE: ALLE) is a global pioneer in safety and security, with leading brands like CISA®, Interflex®, LCN®, Schlage®, SimonsVoss® and Von Duprin®. Focusing on security around the door and adjacent areas, Allegion produces a range of solutions for homes, businesses, schools and other institutions. Allegion is a \$2 billion company, with products sold in almost 130 countries. For more, visit [www.allegion.com](http://www.allegion.com).

KRYPTONITE ■ LCN ■  ■ STEELCRAFT ■ VON DUPRIN



© 2020 Allegion  
010523, Rev. 09/20  
[www.allegion.com/us](http://www.allegion.com/us)

SCHLAGE

## SERIII-W

Scramble keypad



### Overview

The SERIII scramble keypad is a keypad reader designed to prevent onlookers from detecting the PIN code being entered. The LED's display a randomly allocated set of numbers from 0 to 9. The position of the numbers change every time the keypad is activated. Only the user standing directly in front of the keypad can see the scrambled digits.

### Features and benefits

- Very narrow viewing angle of the lighted, scrambled digits
- The membrane keypad is extremely durable
- Random allocation of digits ensures even wear to the keys
- Individual PIN codes can be up to 9 digits in length
- The SERIII has a weatherproof rating of IP65
- An audible alarm signals when a button is depressed
- Robust polycarbonate enclosure
- The unit is equipped with power-up diagnostics and self-test routine
- The SERIII is provided with Wiegand communication protocol
- Over 3.6 million unique permutations are available
- Terminal connection on the rear of the unit



---

## Specifications

---

Dimensions (H x W x D)	5.39" x 4.17" x 2.05"
Input voltage	8 - 12 VDC
Input current	500mA max.
Operating temperature	5° F to 122° F
Weight	16.76 oz
Cable distance (Wiegand)	500' with 22AWG 6 conductor stranded with overall shield

---

## Ordering information

- **SERIII-W-GR** - Scramble keypad (gray)
- **SERIII-W-BLK** - Scramble keypad (black)
  
- **SMK-2-GR** - Scramble keypad surface mount kit (gray)
- **SMK-2-BLK** - Scramble keypad surface mount kit (black)
- **SSMK-2-ADA** - Scramble keypad surface mount kit (ADA compliant)
  
- **PMK-2-GR** - Panel mount kit (gray)
- **PMK-2-BLK** - Panel mount kit (black)
- **SPMK-2-GR** - Panel mount kit with steel back box (gray)
- **SPMK-2-BLK** - Panel mount kit with steel back box (black)

Allegion, the Allegion logo, Schlage, and the Schlage logo are trademarks of Allegion plc, its subsidiaries and/or affiliates in the United States and other countries. All other trademarks are the property of their respective owners.

## About Allegion

Allegion (NYSE: ALLE) is a global pioneer in safety and security, with leading brands like CISA®, Interflex®, LCN®, Schlage®, SimonsVoss® and Von Duprin®. Focusing on security around the door and adjacent areas, Allegion produces a range of solutions for homes, businesses, schools and other institutions. Allegion is a \$2 billion company, with products sold in almost 130 countries. For more, visit [www.allegion.com](http://www.allegion.com).

**KRYPTONITE** ■ **LCN** ■  ■ **STEELCRAFT** ■ **VON DUPRIN**



© 2017 Allegion  
004250, Rev. 07/17  
[www.allegion.com/us](http://www.allegion.com/us)



## Magnetic stripe readers



### Overview

Schlage® offers a comprehensive portfolio of electronic access control solution products. Schlage Magnetic (Mag) stripe readers SMR5, SMR10 and SMR 20 all feature a slim, mullion style design. The Schlage SMR 20 has a 12 position membrane style keypad. Swipe card access control is a low security controlled access solution. Featuring encoded magnetic stripe technology, mag stripe access control systems work with mag swipe technology readers and low coercivity (LoCo) and high coercivity (HiCo) mag cards.

### Features and benefits

- Rugged metal housing
- All stainless steel hardware is standard
- Audiovisual indication provides multicolor LED (red/green) and beeper sounds
- Static discharge protection
- Accepts low or high coercivity-magnetic cards
- Standard track 2 encoding (track 1 and 3 are available)
- One security screw mounting
- Supports Wiegand or Clock & Data interface formats

---

## Specifications

---

Dimensions (W x H x L)	1.95" x 1.3" x 5.5"
Power requirements	5 or 12 VDC
Power consumption	20 mA at 12 VDC
Operating temperature	-40° F to 170° F
Weight	10 oz
Cable distance	500' with 18AWG 6 conductor stranded with overall shield

---

## Ordering information

- **SMR5-5V-BLK** - 5 VDC magnetic stripe card reader (black)
- **SMR5-5V-BG** - 5 VDC magnetic stripe card reader (beige)
- **SMR5-12V-BLK** - 12 VDC magnetic stripe card reader (black)
- **SMR5-12V-BG** - 12 VDC magnetic stripe card reader (beige)
- **SMR10-5V-BLK** - 5 VDC standard, magnetic stripe card reader (black)
- **SMR10-5V-BG** - 5 VDC standard, magnetic stripe card reader (beige)
- **SMR10-12V-BLK** - 12 VDC magnetic stripe card reader (black)
- **SMR10-12V-BG** - 12 VDC magnetic stripe card reader (beige)
- **SMR20-5V-BLK** - 5 VDC standard, magnetic stripe card reader with keypad (black)
- **SMR20-5V-BG** - 5 VDC standard, magnetic stripe card reader with keypad (beige)
- **SMR20-12V-BLK** - 12 VDC magnetic stripe card reader with keypad (black)
- **SMR20-12V-BG** - 12 VDC magnetic stripe card reader with keypad (beige)

Allegion, the Allegion logo, Schlage, and the Schlage logo are trademarks of Allegion plc, its subsidiaries and/or affiliates in the United States and other countries. All other trademarks are the property of their respective owners.

## About Allegion

Allegion (NYSE: ALLE) is a global pioneer in safety and security, with leading brands like CISA®, Interflex®, LCN®, Schlage®, SimonsVoss® and Von Duprin®. Focusing on security around the door and adjacent areas, Allegion produces a range of solutions for homes, businesses, schools and other institutions. Allegion is a \$2 billion company, with products sold in almost 130 countries. For more, visit [www.allegion.com](http://www.allegion.com).

**KRYPTONITE** ■ **LCN** ■ **SCHLAGE** ■ **STEELCRAFT** ■ **VON DUPRIN**



© 2019 Allegion  
004246, Rev. 12/19  
[www.allegion.com/us](http://www.allegion.com/us)



# SMR5

Magnetic stripe reader



## Overview

The SMR5 Mercury magnetic stripe reader has a slim, mullion style design. The die cast metal housing makes it ideal for indoor or outdoor applications.

## Features and benefits

- Rugged metal housing
- All stainless steel hardware is standard
- Audiovisual indication provides multicolor LED (red/green) and beeper sounds
- Static discharge protection
- Accepts low or high coercivity-magnetic cards
- Standard track 2 encoding (track 1 and 3 are available)
- One security screw mounting
- Supports Wiegand or Clock & Data interface formats

---

## Specifications

---

Dimensions (W x H x L)	1.95" x 1.3" x 5.5'
Power requirements	5 or 12 VDC
Power consumption	20 mA at 12 VDC
Operating temperature	-40° F to 170° F
Weight	10 oz
Cable distance	500' with 18AWG 6 conductor stranded with overall shield

---

## Ordering information

- **SMR5-5V-BLK** - 5 VDC magnetic stripe card reader (black)
- **SMR5-5V-BG** - 5 VDC magnetic stripe card reader (beige)
- **SMR5-12V-BLK** - 12 VDC magnetic stripe card reader (black)
- **SMR5-12V-BG** - 12 VDC magnetic stripe card reader (beige)

Allegion, the Allegion logo, Schlage, and the Schlage logo are trademarks of Allegion plc, its subsidiaries and/or affiliates in the United States and other countries. All other trademarks are the property of their respective owners.

## About Allegion

Allegion (NYSE: ALLE) is a global pioneer in safety and security, with leading brands like CISA®, Interflex®, LCN®, Schlage®, SimonsVoss® and Von Duprin®. Focusing on security around the door and adjacent areas, Allegion produces a range of solutions for homes, businesses, schools and other institutions. Allegion is a \$2 billion company, with products sold in almost 130 countries. For more, visit [www.allegion.com](http://www.allegion.com).

KRYPTONITE ■ LCN ■  ■ STEELCRAFT ■ VON DUPRIN



© 2019 Allegion  
004253, Rev. 12/19  
[www.allegion.com/us](http://www.allegion.com/us)



# SEKPDWG and SEKPDMWG

Electronic keypads



## Overview

The fully encapsulated electronic keypad can be used by itself or next to another reader device for additional security. Its stainless steel construction is ideal for indoor or outdoor applications. The two designs, single gang box or the mullion mount style, give it the diversity needed for any application.

## Features and benefits

- Field selectable keypad configurations
- SEKPDWG mounts directly to a single gang electrical box
- SEKPDMWG mounts to any mullion style frame
- No moving parts to replace

---

## Specifications

---

Dimensions	SEKPDWG: 5.125" x 3.375" x .437" SEKPDMWG: 7.125" x 1.75" x .75"
Power supply	5-12 VDC (field selectable)
Operating temperature	-40° F to 160° F
Weight	SEKPDWG: 16 oz SEKPDMWG: 4.4 oz
Material	316L stainless steel
Standby current draw	SEKPDWG: 5V-20mA, SEKPDMWG: 5V-20mA

---

## Ordering information

- **SEKPDWG** - Single gang style keypad
- **SEKPDMWG** - Mullion style keypad
- **SEKPD8B** - Mullion style keypad (8 bit)

Note: Specify 5V or 12V

Allegion, the Allegion logo, Schlage, and the Schlage logo are trademarks of Allegion plc, its subsidiaries and/or affiliates in the United States and other countries. All other trademarks are the property of their respective owners.

## About Allegion

Allegion (NYSE: ALLE) is a global pioneer in safety and security, with leading brands like CISA®, Interflex®, LCN®, Schlage®, SimonsVoss® and Von Duprin®. Focusing on security around the door and adjacent areas, Allegion produces a range of solutions for homes, businesses, schools and other institutions. Allegion is a \$2 billion company, with products sold in almost 130 countries. For more, visit [www.allegion.com](http://www.allegion.com).

KRYPTONITE ■ LCN ■  ■ STEELCRAFT ■ VON DUPRIN

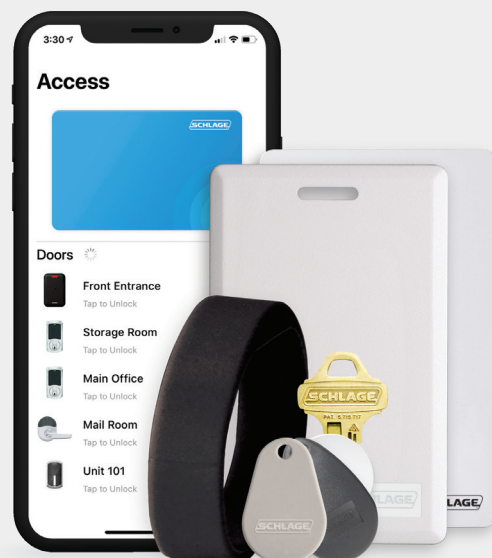


© 2019 Allegion  
004252, Rev. 12/19  
[www.allegion.com/us](http://www.allegion.com/us)





## Credentials



This section of the Electronic Access Control catalog covers mobile, smart, multi-technology and proximity credentials.

### Overview

Schlage® offers credentials that fit every step along the continuum of your security strategy. Starting with the most basic key, to the most sophisticated smart card. Every opening has its own needs and Schlage delivers a solution to fit them all.

The comprehensive credential offering from Schlage features mobile, smart, multi-technology and proximity technologies as well as a variety of form factors to meet the security needs of virtually any customer.

There are many types of smart cards on the market today, but unlike proximity, smart credentials are not all equal. Schlage continually strives to identify the best technologies in the world to ensure we're offering the best solutions for our customers to meet their continued goals for safety and security.

Credentials from Schlage also provide unique advantages that help your business thrive and make doing business easier. The CardTrax™ card tracking program offers a fully managed solution to ensure card number sequences are never duplicated, providing added security and flexibility, all at no extra charge.

Custom artwork and laser engraving are also available on all Schlage ISO and clamshell cards.

## Smart credentials

Schlage offers a variety of smart credential technology options to fit the needs and budget of most every application. All smart credentials from Schlage are encrypted and secure, but also based on open, global standards, ensuring a future of headache-free flexibility and scalability.

Schlage smart credentials offer a single credential solution for secure physical and logical access and are available in a variety of form factors to fit any facility or business need, including ISO style cards, clamshell cards, wristbands, key fobs and adhesive patches. All Schlage smart cards are compliant with international standard ISO 14443.

Schlage 13.56 MHz contactless smart credentials are offered with the following industry standard MIFARE technologies:

### **MIFARE Classic®**

Schlage credentials using MIFARE® Classic technology are ideal for facilities with moderate security needs, and for businesses that want to use credentials to support multiple business functions.

- Simple, fixed memory structure
- Freely programmable memory
- Multiple memory options and form factors

### **MIFARE Plus®**

MIFARE Plus brings advanced security, with the functionality of the MIFARE Classic credential. A cost efficient solution that's perfect for access control applications.

- Simple, freely programmable, fixed memory structure
- 128 AES encryption used for authenticity, confidentiality and integrity
- Multiple form factors

### **MIFARE® DESFire® EV1 and EV2**

MIFARE® DESFire® EV1 and EV2 delivers the perfect balance of security, speed and performance. Its open protocol design allows future seamless integration of other applications.

- Flexible file system / flexible memory organization
- Fast and secure data transmission
- 128 AES encryption used for authenticity, confidentiality and integrity
- Multiple memory options and form factors

## Schlage multi-technology credentials

Schlage multi-technology credentials combine 125 kHz proximity and 13.56 MHz smart technologies in one contactless card, simplifying access control solutions and offering flexibility for users. The credentials are compatible with proximity, smart and multi-technology card readers, allowing facilities ultimate flexibility. The open architecture design also ensures fast data transfer rates.

- Includes 125 kHz proximity and 13.56 MHz smart technologies in one credential
- Compatible with Schlage and other industry manufacturers' readers and electronic locks
- CardTrax™ account tracking program helps keep track of card numbers at no additional cost.
- Lifetime warranty against manufacturer's defects
- Custom artwork and laser engraving available
- Available in ISO style cards and can include a magnetic stripe.
- Available in multiple memory capacities

## Schlage proximity credentials

Schlage proximity credentials provide a convenient access control solution for facilities with less demanding security needs. Schlage proximity credentials are compatible with most industry-leading proximity readers, allowing them to easily integrate with new and existing proximity access control systems.

- 125 kHz proximity technology available in multiple form factors
- Easily integrates into existing proximity systems
- CardTrax account tracking program helps keep track of card numbers at no additional cost.
- Lifetime warranty against manufacturer's defects
- Custom artwork and laser engraving available
- Available in ISO style cards and can include a magnetic stripe.

## Mobile credentials

Allegion offers an array of mobile credentials to accommodate multiple technology solutions.

**Schlage Mobile Access Credential:** The new Schlage Mobile access credential offers convenience, flexibility and security all in one. Part of the complete Schlage Mobile Access Solution, where legacy meets innovation, the mobile credential incorporates Bluetooth low-energy (BLE) technology.

**Mobile Student ID:** Mobile student ID is the most secure way for students to get around campus with the ID they're used to carrying. This new feature will allow students, faculty and staff at participating universities to add their student ID cards to the Apple Wallet and Google Pay.

From highly durable clamshell-style cards to the standard ISO style cards, keyfobs or PVC adhesive disks, Schlage offers a variety of credential formats to support a broad range of access control applications.



Clamshell card



ISO glossy card



Keyfob/thin keyfob



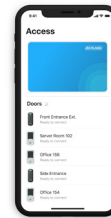
Wristbands



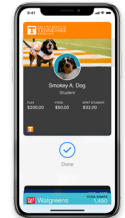
PVC adhesive patch



PVC adhesive disk



Mobile credential



Mobile student ID

## About Allegion

Allegion (NYSE: ALLE) is a global pioneer in safety and security, with leading brands like CISA®, Interflex®, LCN®, Schlage®, SimonsVoss® and Von Duprin®. Focusing on security around the door and adjacent areas, Allegion produces a range of solutions for homes, businesses, schools and other institutions. Allegion is a \$2 billion company, with products sold in almost 130 countries. For more, visit [www.allegion.com](http://www.allegion.com).

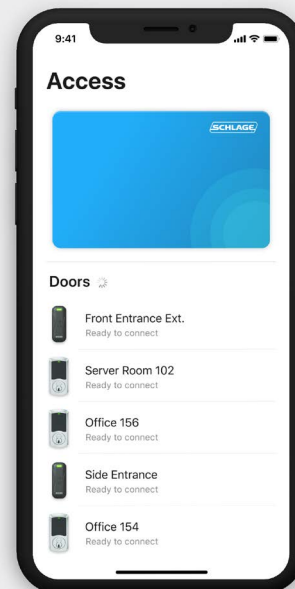
KRYPTONITE ■ LCN ■  ■ STEELCRAFT ■ VON DUPRIN



© 2020 Allegion  
005388, Rev. 9/20  
[www.allegion.com/us](http://www.allegion.com/us)



# Schlage Mobile Access Credentials



## Overview

The new Schlage® Mobile Access Credentials enable residents or staff members to utilize a mobile device instead of a physical badge to securely unlock an opening. Available for iOS and Android phones, the Schlage Mobile Access Credential app is convenient and easy to use. Simply select a specific door listed on the app; if access is granted, the encrypted unlock signal will be sent from the smart device to the mobile enabled lock or reader.

Schlage Mobile Access Credentials feature best-in-class asymmetric encryption for added security and peace of mind. For added reliability and convenience, Schlage Mobile Access Credentials will work without an internet or cellular connection once they are downloaded from the cloud and access rights are synced to the devices.

Site administrators will use the ENGAGE™ web app to enroll users and assign mobile credential access to openings. Schlage Mobile Access Credentials can be added/deleted immediately by syncing the ENGAGE™ mobile app with the lock or reader at the opening, or they can be added/deleted automatically overnight when the lock or reader is connected over Wi-Fi. At Schlage, we believe in building flexible and interoperable solutions that are rooted in open design standards. We recognize that Schlage locks or readers are managed by a wide variety of physical access control solutions, that is why we have made software development tools available to industry leading providers. Please consult with your physical access control service (PACS) provider to determine if Schlage Mobile Access Credentials have been integrated to work with your system.

\* Dependent on device. Schlage MTB Readers can be configured to read up to 30', Schlage Control™, NDEB and LEB wireless locks are configurable and can read up to 15'.

## Features and benefits

### Mobile credential users:

- Supports iOS and Android; available in the Apple Store and Google Play Store
- Quick response from smart device to mobile enabled lock or reader
- Unlock an opening from up to 30\* feet away
- Best-in-class asymmetric credential encryption
- Anti-theft biometrics using the phone's fingerprint or facial recognition features
- Works without internet connection or cellular service at the opening

### Site administrators:

- Compatible with mobile enabled hardware including Schlage Control™, MTB Readers, NDEB and LEB wireless locks
- Easy to enroll or remove mobile credential access at anytime
- Track access events using ENGAGE on your computer or smart device
- Simplified pricing model, pay as you go
- **NEW:** Assign credential type including master, normal, toggle, freeze, pass through, blocked and lockdown

## CYBERSECURITY

Learn about Allegion's commitment

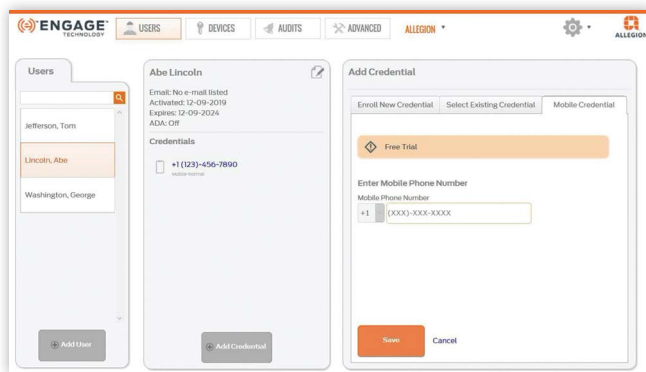
## Specifications

<b>Credential technology</b>	Bluetooth Low Energy (BLE) 2.4 GHz
<b>Mobile device support</b>	Apple iOS 11.1 or newer Android 6.0 Marshmallow or newer
<b>Opening modes</b>	Using mobile app, select door to unlock, up to 30' range*.
<b>Security</b>	Mobile access credentials are protected by device lock screen Over-the-air communication generates keypair for each session Using the ECDH algorithm the exchanged public key and private key are used to create a session key that will be used to encrypt information for the session
<b>Web browser (ENGAGE™)</b>	<ul style="list-style-type: none"><li>▪ Google Chrome 48 or newer</li><li>▪ Microsoft Edge 12 or newer</li><li>▪ Microsoft Internet Explorer 11</li><li>▪ Mozilla Firefox 49 or newer</li><li>▪ Safari 10 or newer</li></ul>
<b>Compatible devices</b>	<ul style="list-style-type: none"><li>▪ Schlage Control™ mobile enabled deadbolt and interconnected lock</li><li>▪ Schlage MTB mobile enabled multi-technology reader</li><li>▪ Schlage MTB mobile enabled multi-technology reader with CTE single door controller in ENGAGE</li><li>▪ Schlage NDEB mobile enabled cylindrical wireless lock with interior push button</li><li>▪ Schlage LEBMS mobile enabled mortise wireless lock</li><li>▪ Schlage LEBMB mobile enabled mortise wireless lock with interior push button</li><li>▪ Schlage LEBMD mobile enabled mortise wireless lock with deadbolt</li></ul>

## Site administrators

It's easy to set up Schlage Mobile Access Credentials

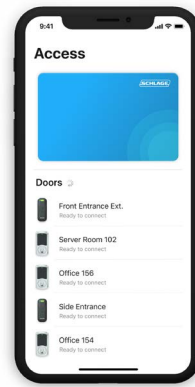
- Use ENGAGE™ web app to assign Schlage Mobile Access Credentials to residents or staff members
- Sync the Schlage Mobile Access Credential to the lock or reader at the door or via Wi-Fi automatically overnight



## Residents or Staff:

It's easy to use Schlage Mobile Access Credentials

- Click on link in SMS text
- Download and install the Schlage Mobile Access Credential app
- Choose specific door in list to unlock



\* Dependent on device. Schlage MTB Readers can be configured to read up to 30', Schlage Control™, NDEB and LEB wireless locks are configurable and can read up to 15'.

Allegion, the Allegion logo, Schlage and the Schlage logo are trademarks of Allegion plc, its subsidiaries and/or affiliates in the United States and other countries. All other trademarks are the property of their respective owners.

## About Allegion

Allegion (NYSE: ALLE) is a global pioneer in seamless access, with leading brands like CISA®, Interflex®, LCN®, Schlage®, SimonsVoss® and Von Duprin®. Focusing on security around the door and adjacent areas, Allegion secures people and assets with a range of solutions for homes, businesses, schools and institutions. Allegion had \$2.9 billion in revenue in 2019 and sells products in almost 130 countries. For more, visit [www.allegion.com](http://www.allegion.com)

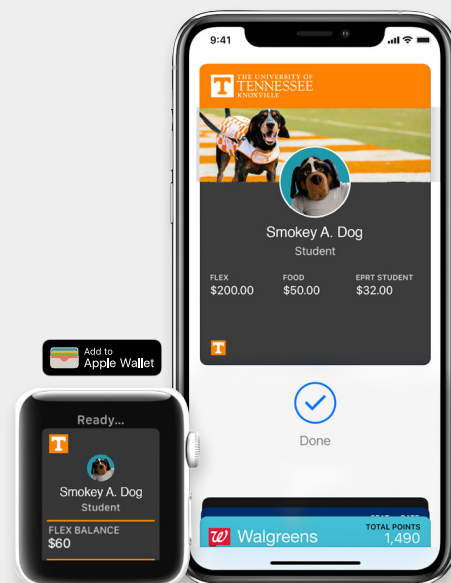
KRYPTONITE ■ LCN ■ SCHLAGE ■ STEELCRAFT ■ VON DUPRIN



© 2020 Allegion  
013465, Rev. 09/20  
[www.allegion.com/us](http://www.allegion.com/us)



# Mobile Student ID



## Overview

Mobile Student ID is the most secure way for students to get around campus with the ID they're used to carrying. This new feature will allow students, faculty and staff at select universities to add their student ID cards to their Apple Wallet or Google Pay.

Leveraging NFC technology and contactless readers, students are able to easily gain access and make payments around campus using Mobile Student ID.

Mobile Student ID is available to anyone on campus who uses a school ID card:

- Students
- Faculty
- Staff

To enable this capability on campus, all readers must support an NFC credential. Some examples of this includes:

- Interior and exterior door access
- Dining hall and retail dining
- Bookstore and off-campus retailers
- Library, printing, laundry and vending
- Event ticketing
- Attendance tracking

## Key benefits

- **Easy**  
Students expect to get around their campus with ease and school administrators want to provide a great experience for their students
- **Secure**  
Using NFC technology, Mobile Student ID is a more secure way to transact on campus; the mobile credential is stored directly on a user's device in the secure element
- **Private**  
Apple does not know where you go, what you bought, or how much you spend; everything is managed directly through existing one card and access control providers, just as with the plastic card
- Schlage offers a comprehensive portfolio of electronic hardware to accommodate every opening
  - AD Series electronic lock
  - MTB Mobile enabled multi-technology readers
  - NDE wireless cylindrical lock
  - LE wireless mortise lock



### AD Series electronic lock

The AD Series was built from the ground up to provide more options, more functionality and more compatibility than any other electronic locking solution on the market today.

- Mortise, cylindrical & exit trim versions
- Adaptable reader heads
- Non-invasive installations for historic buildings and sensitive areas
- Secure encrypted data transmission
- 200 feet range from transceiver/access panel
- Near real-time communication
- Reads multiple credential technology including mag stripe, proximity, smart and NFC Mobile Student ID
- AD300 wired and AD400 wireless options
- Seamlessly integrates into On Guard



### Mobile enabled multi-technology readers

The Schlage® MTB mobile-enabled, multi-technology readers are designed to simplify your access control solutions and eases the transition from an existing proximity system to a secure encrypted card technology or mobile solution at your own pace—without having to change readers.

- Compatible with Bluetooth low energy and NFC-open smart devices
- Plug and play mode for straight out of the box functionality
- Limited lifetime warranty
- Ability to upgrade firmware on Schlage MT multi-technology readers for compatibility with NFC-open smart devices



### NDE and LE wireless locks

NDE and LE wireless locks support the transition to mobile on campus. They read proximity and smart credentials as well as mobile student IDs.

- Simplified installation by combining the lock, credential reader, door position sensor and request-to-exit switch all in one unit
- NDE fits mechanical ND door prep with minor modifications
- LE suites with Schlage mechanical and electrified L Series locks with many common parts

### Accessories

For non-access control applications such as dining, POS - USB output, vending, or laundry Schlage has hardware solutions to fit your needs.



Allegion, the Allegion logo, Schlage and the Schlage logo are trademarks of Allegion plc, its subsidiaries and/or affiliates in the United States and other countries. All other trademarks are the property of their respective owners.

### About Allegion

Allegion (NYSE: ALLE) is a global pioneer in seamless access, with leading brands like CISA®, Interflex®, LCN®, Schlage®, SimonsVoss® and Von Duprin®. Focusing on security around the door and adjacent areas, Allegion secures people and assets with a range of solutions for homes, businesses, schools and institutions. Allegion had \$2.9 billion in revenue in 2019 and sells products in almost 130 countries. For more, visit [www.allegion.com](http://www.allegion.com)

KRYPTONITE ■ LCN ■  ■ STEELCRAFT ■ VON DUPRIN



© 2020 Allegion  
013287, Rev. 09/20  
[www.allegion.com/us](http://www.allegion.com/us)





# Smart credentials



## Overview

Schlage® offers a variety of smart credential technology options to fit the needs and budget of most every application. All smart credentials from Schlage are encrypted and secure, but also based on open, global standards, ensuring a future of headache-free flexibility and scalability. Schlage smart credentials offer a single credential solution for secure physical and logical access and are available in a variety of form factors to fit any facility or business need, including ISO style cards, clamshell cards, wristbands, key fobs and adhesive patches. All Schlage smart cards are compliant with international standard ISO 14443. Schlage 13.56 MHz contactless smart credentials are offered with the following industry standard MIFARE® technologies:

### MIFARE Classic®

Schlage credentials using MIFARE Classic® technology are ideal for facilities with moderate security needs, and for businesses that want to use credentials to support multiple business functions.

- Simple, fixed memory structure
- Freely programmable memory
- Multiple memory options and form factors

### MIFARE Plus®

MIFARE Plus® brings advanced security, with the functionality of the MIFARE Classic credential. A cost efficient solution that's perfect for access control applications.

- Simple, freely programmable, fixed memory structure
- 128 AES encryption used for authenticity, confidentiality and integrity
- Multiple form factors

### MIFARE® DESFire® EV1/EV2

MIFARE® DESFire® EV1/EV2 deliver the perfect balance of security, speed and performance. Its open protocol design allows future seamless integration of other applications.

- Flexible file system/flexible memory organization
- Fast and secure data transmission
- 128 AES encryption used for authenticity, confidentiality and integrity
- Multiple memory options and form factors

## Features and benefits

- Open architecture design is built on ISO 14443A standards, providing for a faster data transfer speed
- Offered in clamshell, ISO style cards, keyfobs, wristbands and adhesive patches
- Utilizes MIFARE Classic, MIFARE Plus or MIFARE DESFire EV1/EV2
- Custom artwork and laser engraving available for clamshell and ISO style cards



Clamshell card



Wristbands



ISO glossy card



Keyfob/thin keyfob



PVC adhesive patch

## CYBERSECURITY

Learn about Allegion's commitment



### 13.56 MHz smart credentials

Model number	9420, 9451	9520, 9551, 9558	9651	9651T	9351	9751, 9758
Credential type	Clamshell	ISO glossy white <sup>1</sup>	Keyfob	Thin keyfob	Silicone wristband	PVC adhesive patch
Credential technology; ISO standard	MIFARE Classic; ISO 14443	MIFARE Classic; ISO 14443	MIFARE Classic; ISO 14443	MIFARE Classic; ISO 14443	MIFARE Classic; ISO 14443	MIFARE Classic; ISO 14443
Magnetic stripe	No	Yes <sup>2</sup>	No	No	No	No
Dimensions (H x W x T)	3.37" x 2.125" x 0.075"	3.37" x 2.125" x 0.033"	2" x 1.24" x 0.38"	1.77" x 1.18" x .06"	0.63" x 7.68" x 0.295"	3.37" x 2.125" x 0.033"
Slot punch (printed guide)	Vertical (punched)	Vertical or horizontal	Keyring	Keyring	N/A	Vertical
Memory capacity; application sectors	2.5k bit; 5 sectors, 1K byte/8k bit; 16 sector	2.5k bit; 5 sectors, 1K byte/8k bit; 16 sectors, 4K byte/32k bit; 40 sectors	1K byte/8k bit; 16 sectors	1K byte/8k bit; 16 sectors	1K byte/8k bit; 16 sectors	1K byte/8k bit; 16 sectors, 4K byte/32k bit; 40 sectors



### 13.56 MHz smart credentials

Model number	5451	5551	5540	5652T	5751
Credential type	Clamshell	ISO glossy white <sup>1</sup>	ISO glossy white <sup>1</sup>	Thin keyfob	PVC adhesive patch
Credential technology; ISO standard	MIFARE Plus SE; ISO 14443	MIFARE Plus SE; ISO 14443	MIFARE Plus S; ISO 14443	MIFARE Plus SE; ISO 14443	MIFARE Plus SE; ISO 14443
Magnetic stripe	No	Yes <sup>2</sup>	Yes <sup>2</sup>	No	No
Dimensions (H x W x T)	3.37" x 2.125" x 0.075"	3.37" x 2.125" x 0.033"	3.37" x 2.125" x 0.033"	1.77" x 1.18" x 0.06"	3.37" x 2.125" x 0.033"
Slot punch (printed guide)	Vertical (punched)	Vertical or horizontal	Vertical or horizontal	Keyring	Vertical
Memory capacity; application sectors	1K byte/8k bit	1K byte/8k bit	4K byte/32k bit	2K byte/16k bit	1K byte/8k bit



### 13.56 MHz smart credentials

Model number	8420, 8440, 8480	8520, 8540, 8580	8720, 8740, 8780	2420, 2440, 2480	2520, 2540, 2580	2620T
Credential type	Clamshell	ISO glossy white <sup>1</sup>	PVC adhesive patch	Clamshell	ISO glossy white <sup>1</sup>	Thin keyfob
Credential technology; ISO standard	MIFARE DESFire EV1; ISO 14443	MIFARE DESFire EV1; ISO 14443	MIFARE DESFire EV1; ISO 14443	MIFARE DESFire EV2 ISO 14443	MIFARE DESFire EV2 ISO 14443	MIFARE DESFire EV2 ISO 14443
Magnetic stripe	No	Yes <sup>2</sup>	No	No	Yes <sup>2</sup>	No
Dimensions (H x W x T)	3.37" x 2.125" x 0.075"	3.37" x 2.125" x 0.033"	3.37" x 2.125" x 0.033"	3.37" x 2.125" x 0.075"	3.37" x 2.125" x 0.033"	2" x 1.24" x 0.38"
Slot punch (printed guide)	Vertical (punched)	Vertical or horizontal	Vertical	Vertical (punched)	Vertical or horizontal	Keyring
Memory capacity; application sectors	2K byte/16k bit, 4K byte/32k bit, 8K byte/64k bit	2K byte/16k bit, 4K byte/32k bit, 8K byte/64k bit	2K byte/16k bit, 4K byte/32k bit, 8K byte/64k bit	2K byte/16k bit, 4K byte/32k bit, 8K byte/64k bit	2K byte/16k bit, 4K byte/32k bit, 8K byte/64k bit	2K byte/16k bit

1. ISO glossy white style credentials are made from composite material, are printable, and can include a magnetic stripe as an option.  
2. Add MI to the model number for a magnetic stripe when ordering. Vertical slot punch not available on magnetic stripe cards.

**Limited lifetime warranty** - Credentials have a lifetime warranty against manufacturers defects. See sales policy for complete warranty details.

Allegion, the Allegion logo, Schlage and the Schlage logo are trademarks of Allegion plc, its subsidiaries and/or affiliates in the United States and other countries. All other trademarks are the property of their respective owners.

## About Allegion

Allegion (NYSE: ALLE) is a global pioneer in seamless access, with leading brands like CISA®, Interflex®, LCN®, Schlage®, SimonsVoss® and Von Duprin®. Focusing on security around the door and adjacent areas, Allegion secures people and assets with a range of solutions for homes, businesses, schools and institutions. Allegion had \$2.9 billion in revenue in 2019 and sells products in almost 130 countries. For more, visit [www.allegion.com](http://www.allegion.com)





# Multi- technology credentials

## Overview

Schlage® multi-technology credentials combine 125 kHz proximity and 13.56 MHz smart technologies in one contactless card, simplifying access control solutions and offering flexibility for users. The credentials are compatible with proximity, smart and multi-technology card readers, allowing facilities ultimate flexibility. The open architecture design also ensures fast data transfer rates.



## Features and benefits

- Includes 125 kHz proximity and 13.56 MHz smart technologies in one credential
- Compatible with Schlage and other industry manufacturers' readers and electronic locks
- Available with MIFARE Classic®, MIFARE Plus® and MIFARE® DESFire® EV1/EV2
- CardTrax™ account tracking program helps keep track of card numbers at no additional cost
- Lifetime warranty against manufacturer's defects
- Custom artwork and laser engraving available
- Available in ISO style cards and can include a magnetic stripe
- Available in multiple memory capacities

### **CYBERSECURITY**

Learn about Allegion's commitment



## 125 kHz/13.56 MHz multi-technology credentials

Model number	9951	9958	9691T
Credential type	ISO glossy white <sup>1</sup>	ISO glossy white <sup>1</sup>	Thin keyfob
Credential technology; ISO standard	Proximity/MIFARE Classic ISO 14443	Proximity/MIFARE Classic ISO 14443	Proximity/MIFARE Classic ISO 14443
Magnetic stripe available	Yes <sup>2</sup>	Yes <sup>2</sup>	No
Dimensions (H x W x T)	3.37" x 2.125" x 0.033"	3.37" x 2.125" x 0.033"	1.77" x 1.18" x 0.06"
Slot punch (printed guide)	Vertical or horizontal	Vertical or horizontal	Keyring
Memory capacity; application sectors	1K byte/8k bit; 16 sectors	4K byte/32k bit; 40 sectors	1K byte/8k bit; 16 sectors

## 125 kHz/13.56 MHz multi-technology credentials

Model number	5951	5940	5692T
Credential type	ISO glossy white <sup>1</sup>	ISO glossy white <sup>1</sup>	Thin keyfob
Credential technology; ISO standard	Proximity/MIFARE Plus SE ISO 14443	Proximity/MIFARE Plus S ISO 14443	Proximity/MIFARE Plus SE ISO 14443
Magnetic stripe available	Yes <sup>2</sup>	Yes <sup>2</sup>	No
Dimensions (H x W x T)	3.37" x 2.125" x 0.033"	3.37" x 2.125" x 0.033"	1.77" x 1.18" x 0.06"
Slot punch (printed guide)	Vertical or horizontal	Vertical or horizontal	Keyring
Memory capacity; application sectors	1K byte/8k bit	4K byte/32k bit	2K byte/16k bit

## 125 kHz/13.56 MHz multi-technology credentials

Model number	8920/8940/8980	2920/2940/2980	2692T
Credential type	ISO glossy white <sup>1</sup>	ISO glossy white <sup>1</sup>	Thin keyfob
Credential technology; ISO standard	Proximity/MIFARE DESFire EV1 ISO 14443	Proximity/MIFARE DESFire EV2 ISO 14443	Proximity/MIFARE DESFire EV2 ISO 14443
Magnetic stripe available	Yes <sup>2</sup>	Yes <sup>2</sup>	No
Dimensions (H x W x T)	3.37" x 2.125" x 0.033"	3.37" x 2.125" x 0.033"	2" x 1.24" x 0.38"
Slot punch (printed guide)	Vertical or horizontal	Vertical or horizontal	Keyring
Memory capacity; application sectors	2K byte/8k bit; 4K byte/32k bit; 8K byte/64k bit	2K byte/8k bit; 4K byte/32k bit; 8K byte/64k bit	2K byte/16k bit

- ISO glossy white style credentials are made from composite material, are printable, and can include a magnetic stripe as an option
- Add M1 to the model number for a magnetic stripe when ordering. Vertical slot punch not available on magnetic stripe cards.

**Limited lifetime warranty** - Credentials have a lifetime warranty against manufacturers defects. See sales policy for complete warranty details.

Allegion, the Allegion logo, Schlage and the Schlage logo are trademarks of Allegion plc, its subsidiaries and/or affiliates in the United States and other countries. All other trademarks are the property of their respective owners.

## About Allegion

Allegion (NYSE: ALLE) is a global pioneer in seamless access, with leading brands like CISA®, Interflex®, LCN®, Schlage®, SimonsVoss® and Von Duprin®. Focusing on security around the door and adjacent areas, Allegion secures people and assets with a range of solutions for homes, businesses, schools and institutions. Allegion had \$2.9 billion in revenue in 2019 and sells products in almost 130 countries. For more, visit [www.allegion.com](http://www.allegion.com)





# Proximity credentials



## Overview

Schlage® proximity credentials provide a convenient access control solution for facilities with less demanding security needs. Schlage proximity credentials are compatible with most industry-leading proximity readers, allowing them to easily integrate with new and existing proximity access control systems. From highly durable clamshell-style cards to the standard ISO style cards, keyfobs or PVC adhesive disks, Schlage offers a variety of credential formats to support a broad range of access control applications.

## Features and benefits

- 125 kHz proximity technology available in multiple form factors
- Easily integrates into existing proximity systems
- CardTrax account tracking program helps keep track of card numbers at no additional cost
- Lifetime warranty against manufacturer's defects
- Custom artwork and laser engraving available
- Available in ISO style cards and can include a magnetic stripe.
- Available in multiple memory capacities



## 125 kHz proximity credentials

Model number	7410	7510	7610	7610T	7010
Credential type	Clamshell	ISO glossy white <sup>1</sup>	Keyfob	Thin keyfob	PVC adhesive disk
Credential technology; ISO standard	Proximity	Proximity	Proximity	Proximity	Proximity
Magnetic Stripe available	No	Yes <sup>2</sup>	No	No	No
Dimensions (H x W x T)	3.37" x 2.125" x 0.075"	3.37" x 2.125" x 0.033"	2" x 1.24" x 0.38"	1.77" x 1.18" x .06"	1.38 or 35 mm diameter
Slot punch (printed guide)	Vertical (punched)	Vertical or horizontal	Keyring	Keyring	N/A
Warranty	Limited lifetime - Credentials have a lifetime warranty against manufacturers defects. See sales policy for complete warranty details.				

<sup>1</sup> ISO glossy white style credentials are made from composite material, are printable, and can include a magnetic stripe as an option  
<sup>2</sup> Add M1 to the model number for a magnetic stripe when ordering. Vertical slot punch not available on magnetic stripe cards.

Allegion, the Allegion logo, Schlage and the Schlage logo are trademarks of Allegion plc, its subsidiaries and/or affiliates in the United States and other countries. All other trademarks are the property of their respective owners.

### About Allegion

Allegion (NYSE: ALLE) is a global pioneer in safety and security, with leading brands like CISA®, Interflex®, LCN®, Schlage®, SimonsVoss® and Von Duprin®. Focusing on security around the door and adjacent areas, Allegion produces a range of solutions for homes, businesses, schools and other institutions. Allegion is a \$2 billion company, with products sold in almost 130 countries. For more, visit [www.allegion.com](http://www.allegion.com).

KRYPTONITE ■ LCN ■  ■ STEELCRAFT ■ VON DUPRIN



© 2019 Allegion  
 005426, Rev. 12/19  
[www.allegion.com/us](http://www.allegion.com/us)

## Biometrics



This section of the Electronic Access Control catalog covers HandKey® biometric hand geometry readers and other accessories that can be easily integrated into an access control system.

### Overview

HandKey® biometric hand geometry readers from Schlage provide increased security for the most important openings in your facilities. The HandKey utilizes the size and shape of the hand to verify the identity of the user, ensuring that only authorized users can access the door. The open-architecture design of the HandKey makes integrating biometric HandReaders into critical access points easy, simple, and seamless for new or existing access control systems.

The HandKey provides the flexibility to be used as a stand-alone device that protects a single critical access point, or integrated into virtually any new or existing access control system in the market. Standalone operation is enabled utilizing the built-in door lock output, and a programmable auxiliary output that can be used to output audible or silent alarms, or activate lighting systems or other peripheral devices. The same HandKey reader can be set up to operate in card reader emulation mode, outputting Wiegand data to an access control system. This enables the HandKey to look just like a card reader to your access control system, ensuring real-time monitoring and communication between the device and your access control panel.

Event monitoring alerts you in the event that the device has been tampered with, when a user is refused after exceeding the user definable number of verification attempts, or when the user is under duress. With the HandKey, you can also customize security levels, time zones, holidays and languages based on your unique needs.

### Benefit

The HandReader ensures that you are only allowing the correct people, not just the proper cards, to access the most important areas of your facility. The cost commonly associated with managing an access control system can be minimized with the help of a HandKey. Since the credential cannot be forgotten or stolen, you eliminate the need to replace lost, damaged, or stolen cards or keys.

The HandKey does not read fingerprints or palm prints, and works effectively even if the user's hand is wet, dirty or slightly injured.



This page intentionally left blank.

Allegion, the Allegion logo, Schlage, the Schlage logo are trademarks of Allegion plc, its subsidiaries and/or affiliates in the United States and other countries. All other trademarks are the property of their respective owners.

## About Allegion

Allegion (NYSE: ALLE) is a global pioneer in safety and security, with leading brands like CISA®, Interflex®, LCN®, Schlage®, SimonsVoss® and Von Duprin®. Focusing on security around the door and adjacent areas, Allegion produces a range of solutions for homes, businesses, schools and other institutions. Allegion is a \$2 billion company, with products sold in almost 130 countries. For more, visit [www.allegion.com](http://www.allegion.com).

KRYPTONITE ■ LCN ■  ■ STEELCRAFT ■ VON DUPRIN



© 2019 Allegion  
005027, Rev. 12/19  
[www.allegion.com/us](http://www.allegion.com/us)



# HandKey® II

Biometric hand geometry reader



## Overview

### Nothing is tougher!

Our HandKey II product is ideal for applications where consistent and dependable security is of prime importance. The product is easy to maintain, and provides an ideal mix of convenience, security and peace of mind.

### Top 10 reasons to select hand geometry

#### Field proven reliability

- Hundreds of thousands of HandReaders are installed all over the world in diverse applications, providing millions of error free transactions every day

#### Convenience and cost savings

- Incredibly fast installation and intuitive enrollment increases user convenience
- Verification in less than one second makes it ideal for high throughput applications
- High product quality + low maintenance costs = low total cost of ownership
- Eliminate the worry of lost, stolen or unauthorized transfer of ID cards plus the cost of purchasing and maintaining these cards

#### Eliminate privacy concerns

- Hand geometry technology is well accepted by end users, as there are no fingerprints or palm prints taken and the user does not leave behind any trace of their biometric data

#### Amazing versatility

- HandKeys can be used as standalone systems to protect critical access points and can be easily integrated into virtually every new or existing access control system in the market today
- Ability to customize user-specific security levels, time zones, holidays and languages based on your needs
- Optional access control template management software allows the HandKeys to form a system that communicates alarms and transactions in real time, provides activity reports, allows supervised on-site or remote user enrollment and expiring privileges for temporary access
- Environmental enclosures and integrated heater units make the HandKey an ideal solution for outdoor usage

## Features and benefits

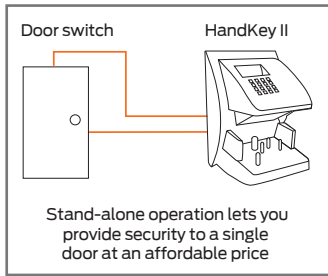
- Convenience of multiple credential options such as proximity, magnetic stripe and barcode
- Optional field installable Ethernet module
- Outdoor enclosure options that make the HandKey II an ideal solution for outdoor usage
- Field upgradable and expandable memory options from 512 to 32,512 users for scalable security that grows with your needs
- Three user-definable outputs to connect to auxiliary devices such as audible or silent alarms, door locks or lighting systems
- Ability to write the industry's most compact biometric template on a card instead of in a database results in higher security and unlimited user capacity
- Specially formulated antimicrobial coating with silver ions on the platen to inhibit the growth of bacteria, mold and mildew to mitigate hygiene concerns. The coating is safe and lasts for the life of the product
- Blue hand outline on the platen facilitates easy enrollment and reduces error rates during verification

## Door control and monitoring

Each HandKey II is a complete, integrated door controller providing lock operation, request-for-exit and alarm monitoring. Biometric templates and decision-making capability reside locally, ensuring your doors are always secure and will continue to operate properly even if all communication to the main access control system is lost.

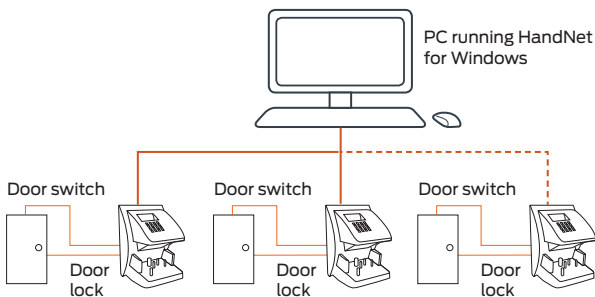
### Standalone or fully integrated

HandKey readers can be used as a stand-alone unit or as part of an integrated access control system. The units easily integrate into existing systems using the card reader emulation mode. Or, by using the HandNet software for template management, thousands of units can be linked together to form a system that communicates alarms and transactions provides activity, user and systems reports, and allows supervised user enrollment and deletions at any reader. A variety of communications options, including dial-up modems and Ethernet, allow you to design a system that's right for your facilities.



### In a network

Schlage's HandNet software links an unlimited number of HandKey units into an integrated door access control system. All alarms and transactions report back to the central computer, making door and alarm monitoring easy and efficient. Activity, user and system reports can be easily generated. The central computer handles all hand template management allowing supervised enrollment at any reader and system wide deletions. An optional internal modem lets you include remote site operations.



### Specifications

Part number	HK-2
Size (W x H x D)	8.85 in x 11.65 in x 8.55 in (22.3 cm x 29.6 cm x 21.7 cm)
Weight	6 lbs (2.7 kg)
Power	12 to 24 VDC or 12 to 24 VAC 50-60 Hz, 7 watts
Environment	Operating: 32°F to 113°F (0°C to 45°C) Relative humidity: 20% to 80% NC Non-operating (storage): 14°F to 140°F (-10°C to 60°C) Relative humidity: 5% to 85% NC
Verification time	Less than one second
Memory retention	Up to 5 years via the standard internal lithium battery
Transaction storage	5120 transactions
ID number length	1 to 10 digits from keypad or card
User capacity	512 users with field upgrade up to 32,512 users
Template size	9 bytes
User record size	16 bytes
Communications	RS-422 (4 wire) RS-232 serial printer support or PC communication
Inputs	Standard 26 bit Wiegand, 9-bit ID Optional: Configurations contact factory HandKey Input: Request-to-exit, door switch input, 2 auxiliary inputs
Outputs	Door control: Lock Output Card reader emulation mode: Wiegand, Magstripe, 1 programmable auxiliary Outputs to peripheral devices: Audible or silent alarms, door locks, lighting systems
Lock/Aux controls	Output (sinks to 0VDC, 100mA max)
Event Monitoring	Tamper: HandKey opened or removed Door monitor switch ID refused: User not verified after user definable number of tries exceeded Duress: User entered duress code digit Power failure: HandKey switched to optional battery
Setup functions*	<ul style="list-style-type: none"> <li>▪ Add/remove users</li> <li>▪ Set global operating thresholds</li> <li>▪ ID refused: User not verified after user definable</li> <li>▪ Define individual user parameters</li> <li>▪ Time zones - 2 fixed; 60 user definable time zones</li> <li>▪ Set language</li> <li>▪ Set format: date and time</li> <li>▪ Define holidays</li> </ul>
Antimicrobial	Antimicrobial permeated platen
Options	<b>BB-250</b> - Operational battery backup <b>EM-801</b> - Memory expansion - 9,728 users <b>EM-803</b> - Memory expansion - 32,512 users <b>EN-201</b> - Ethernet communications module <b>MD-500</b> - Internal 14.4 baud dial-up modem <b>WAR-EXT</b> - 1 year extended warranty

\* Software defined values will override local setup functions  
Specifications subject to change. Please check with your system vendor for details.

### About Allegion

Allegion (NYSE: ALLE) is a global pioneer in safety and security, with leading brands like CISA®, Interflex®, LCN®, Schlage®, SimonsVoss® and Von Duprin®. Focusing on security around the door and adjacent areas, Allegion produces a range of solutions for homes, businesses, schools and other institutions. Allegion is a \$2 billion company, with products sold in almost 130 countries. For more, visit [www.allegion.com](http://www.allegion.com).

KRYPTONITE ■ LCN ■ **SCHLAGE** ■ STEELCRAFT ■ VON DUPRIN



© 2020 Allegion  
004535, Rev. 09/20  
[www.allegion.com/us](http://www.allegion.com/us)



# Biometric terminal options and accessories

for HandKey®



Schlage offers a number of accessories for access control HandReader terminals. From networking options to memory expansions, we'll help you create the solution to meet your specific needs.

Base Model	HandKey II
Card readers	<ul style="list-style-type: none"> <li>▪ <b>PROX:</b> Externally top mounted HID proximity reader, factory installed option only</li> </ul>
Memory	<ul style="list-style-type: none"> <li>▪ <b>EM-801-F3:</b> Field upgradable memory expansion up to 9,728 users</li> <li>▪ <b>EM-803-F3:</b> Field upgradable memory expansion up to 32,512 users</li> </ul>
Communication	<ul style="list-style-type: none"> <li>▪ <b>EN-201:</b> Field upgradable Ethernet communication module 10baseT</li> <li>▪ <b>MD-500:</b> Internal dial-up modem</li> </ul>
Battery option	<ul style="list-style-type: none"> <li>▪ <b>BB-250:</b> Optional battery backup</li> </ul>
Mounting	<ul style="list-style-type: none"> <li>▪ <b>TM-100:</b> Table top secure mount for flat surfaces</li> </ul>
Left hand option	<ul style="list-style-type: none"> <li>▪ NA</li> </ul>
Network accessories	<ul style="list-style-type: none"> <li>▪ <b>DC-102:</b> Data converter for 4 wire system, RS-232 to RS-422 with 120V, 60Hz power supply</li> <li>▪ <b>DC-102 with 220V,</b> 50Hz power supply</li> </ul>

This page intentionally left blank.

## About Allegion

Allegion (NYSE: ALLE) is a global pioneer in safety and security, with leading brands like CISA®, Interflex®, LCN®, Schlage®, SimonsVoss® and Von Duprin®. Focusing on security around the door and adjacent areas, Allegion produces a range of solutions for homes, businesses, schools and other institutions. Allegion is a \$2 billion company, with products sold in almost 130 countries. For more, visit [www.allegion.com](http://www.allegion.com).

KRYPTONITE ■ LCN ■  ■ STEELCRAFT ■ VON DUPRIN



© 2020 Allegion  
004400, Rev. 09/20  
[www.allegion.com/us](http://www.allegion.com/us)



## Enclosure options

for the HandKey®  
and HandPunch series



FX enclosure



GX enclosure



TX enclosure

### Overview

Schlage biometrics provides various options to protect your HandReader from the elements. Two different, proven solutions are available to ensure your HandReaders keep performing regardless of your environment.

#### **FX Enclosure (FX-ENCL)**

Biometric Enclosure

Constructed from high impact UV resistant polycarbonate material, the FX Enclosure provides a degree of protection against dusty, dirty, or rainy environments. Designed for the HandKey II and the HandPunch F Series, this enclosure can be added to an existing installation. When used with an integrated heater option (INT-HTR), it provides a comfortable heated platen against a cold climate.

#### **GX Enclosure (GX-ENCL)**

Time & Attendance HandPunch Enclosure

Designed for the HandPunch G Series, this enclosure provides the same high degree of protection for your HandReader as the FX Enclosure, when used with the INT-HTR-G.

#### **TX Enclosure (TX-ENCL)**

Biometric Enclosure

The TX Enclosure provides a higher degree of protection against dusty, dirty, or rainy environments. When used with an integrated heater option (INT-HTR), it provides a comfortable heated platen against a cold climate.



## Specifications

Enclosure type	FX enclosure	GX enclosure	TX enclosure
Part number	FX-ENCL	GX-ENCL	TX-ENCL
Temperature range	-20F to 120F / -29C to 49C	-20F to 120F / -29C to 49C	-45F to 120F / -43C to 49C
Dimensions (H x W x D)	14.75 in x 12.00 in x 10.50 in 37.5 cm x 30.5 cm x 26.7 cm	14.75 in x 12.00 in x 10.50 in 37.5 cm x 30.5 cm x 26.7 cm	23.00 in x 14.00 in x 11.25 in 58.4 cm x 35.6 cm x 28.6 cm
Cross weight (including reader)	7.3 lbs / 3.3 kg	7.3lbs / 3.3 kg	45.0 lbs / 20.4 kg
HandReader models	HandKey/HandPunch	GT-400	HandKey/HandPunch
Heater	Factory installed option only, Model No. INT-HTR	Factory installed option only, Model No. INT-HTR-G	Factory installed option only, Model No. INT-HTR

Allegion, the Allegion logo, Schlage, the Schlage logo, HandPunch, and HandKey are trademarks of Allegion plc, its subsidiaries and/or affiliates in the United States and other countries. All other trademarks are the property of their respective owners.

## About Allegion

Allegion (NYSE: ALLE) is a global pioneer in safety and security, with leading brands like CISA®, Interflex®, LCN®, Schlage®, SimonsVoss® and Von Duprin®. Focusing on security around the door and adjacent areas, Allegion produces a range of solutions for homes, businesses, schools and other institutions. Allegion is a \$2 billion company, with products sold in almost 130 countries. For more, visit [www.allegion.com](http://www.allegion.com).

KRYPTONITE ■ LCN ■  ■ STEELCRAFT ■ VON DUPRIN

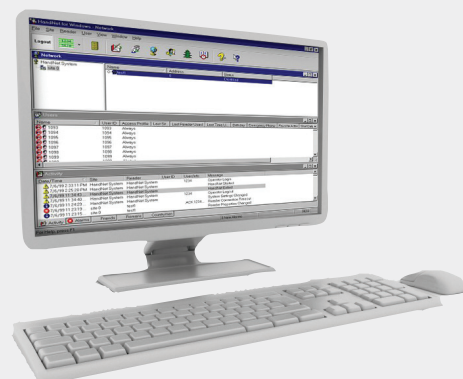


© 2019 Allegion  
004398, Rev. 12/19  
[www.allegion.com/us](http://www.allegion.com/us)





# HandNet® for Windows



## Overview

HandNet for Windows lets you control and monitor a network of HandKey readers. With just one comprehensive program, you can monitor activity and alarms on all readers, and control the access of each user.

## Features and benefits

- Automatic hand template management feature allows template distribution from an enrollment HandKey to other selected HandKeys thus eliminating the need for a user to be enrolled at every HandReader
- Independent door control capability without the need for an access control panel
- Monitor multiple remote sites from the convenience of your PC
- Remote enrollment feature enables a HandKey to be controlled from the software. For example, a guard behind a glass partition or a supervisor in a distant office can enroll new users without physically going to the HandKey
- Assign access to selected users by specifying a user's access start and stop days and times
- Manage archive activity to keep old information available for reports
- Manage alarms for additional security

Specifications	HandNet For Windows	HandNet Lite
Computer	Intel Pentium 1 GHz or higher, AMD Athlon 1GHz or higher	Intel Pentium 1 GHz or higher, AMD Athlon 1 GHz or higher
Operating system	<ul style="list-style-type: none"> <li>▪ Windows XP SP3 32-bit</li> <li>▪ Windows 7 Professional SP1 32-bit and 64-bit</li> <li>▪ Windows 8 Professional 32-bit and 64-bit</li> <li>▪ Windows 10 Pro</li> </ul>	<ul style="list-style-type: none"> <li>▪ Windows XP SP3 32-bit</li> <li>▪ Windows 7 Professional SP1 32-bit and 64-bit</li> <li>▪ Windows Server 2003 SP3 32-bit</li> <li>▪ Windows 8 Professional 32-bit and 64-bit</li> <li>▪ Windows 10 Pro</li> </ul>
Hard disk	2 GB minimum, 1 GB Free space	60 GB minimum, 10 GB free space
Monitor	Minimum resolution 1024 x 768	Minimum resolution 1024 x 768
Memory	2 GB (minimum 1 GB)	4 GB (minimum 2 GB)
Database	MS Access	MS SQL Server 2000 MSDE
Products supported	HK-2-F3	HK-2-F3
Template managements	Available	Available
Supported communications	RS232, RS485, Ethernet	RS232, RS485, Ethernet
Time zones	Available	Available
Reports	Available	Limited – use reports from an access control panel
Door control	Available	NA – use panel door control
Alarms	Available	NA – use panel alarms
Open door remotely	Available	NA – use panel door control
Network readers	Available	Available
Archive activity	Available	Available – database backup
Remote enrollment	Available	Available

## Options

- **HN-2-T1** - Manages up to 5 HandKeys
- **HN-2-T2** - Manages up to 25 HandKeys
- **HN-2-T3** - Manages an unlimited number of HandKeys
- **HandNet Lite** - Software program to manage up to 64 HandKeys

Allegion, the Allegion logo, Schlage, the Schlage logo, and HandKey are trademarks of Allegion plc, its subsidiaries and/or affiliates in the United States and other countries. All other trademarks are the property of their respective owners.

## About Allegion

Allegion (NYSE: ALLE) is a global pioneer in safety and security, with leading brands like CISA®, Interflex®, LCN®, Schlage®, SimonsVoss® and Von Duprin®. Focusing on security around the door and adjacent areas, Allegion produces a range of solutions for homes, businesses, schools and other institutions. Allegion is a \$2 billion company, with products sold in almost 130 countries. For more, visit [www.allegion.com](http://www.allegion.com).

KRYPTONITE ■ LCN ■  ■ STEELCRAFT ■ VON DUPRIN



© 2019 Allegion  
004399, Rev. 12/19  
[www.allegion.com/us](http://www.allegion.com/us)

## System components



The systems components category features a variety of devices which are utilized as part of an access control system. Products include electric strikes, electromagnetic locks, power supplies, and system accessories.

### Electric strikes

#### Overview

Electric strikes provide remote release of a locked door, allowing a door to be opened without retracting the latch bolt. Von Duprin offers a selection of strikes for a variety of applications and door preps.

#### Features

The 4200 Series is a great choice for commercial applications where traffic control is the primary function. It is designed for use with cylindrical locks and can be used with all Schlage and Falcon locks as well as those of many other manufacturers'.

The 5100 Series is a versatile electric strike designed for medium-duty applications, specifically to control traffic flow through interior and exterior openings in retail and commercial facilities.

Two series of heavy-duty stainless steel strike families are designed for use with rim exit devices. The 6100 Series comes in five configurations including a rim nightlatch strike. 6300 Series is a single, surface mounted strike great for aftermarket replacement.

The 6200 Series includes 17 strike configurations featuring stainless steel construction for heavy duty applications. Use them with mortise or cylindrical locks. Both the 6100 and 6200 Series are available with a variety of options including AC operation, dual switch monitoring, entry buzzer, fail secure and fail safe.

The 6400 Series is an all-in-one modular strike for both cylindrical and mortise applications. Its field configurable deadbolt keeper and dead latch ramp to allow for alignment with a wide variety of doors and frames.

#### Benefits

Electric strikes can be used in standalone applications or as part of a sophisticated access control system and can be deployed on a variety of openings. In many cases electric strikes are an ideal solution for end users who are ready to migrate from mechanical to electronic access control.

# Electromagnetic locks

## Overview

The broad portfolio of Schlage electromagnetic locks offers a solution for most every application. Whether it's securing a hospital laboratory, monitoring a controlled area in an airport or providing traffic control for doors in an institutional building, Schlage electromagnetic door locks are designed to exceed the standards set by the Builders Hardware Manufacturers Association (BHMA). The portfolio encompasses a variety of hold force ratings including 500 lbs. for traffic control, 1000 lbs. for high security and 1500 lbs. for maximum security, as well as specialty locks for unique applications.

## Features

The M400 Series electromagnetic locks are available in two configurations to meet your specific security needs. M420, M450 and M490 provide basic security while models M420P, M450P and M490P provide intelligent sensing and reporting features needed to integrate with access control systems. The M400 Series is available with BHMA hold force ratings of 500 lbs, 1000 lbs and 1500 lbs.

Schlage also offers a variety of electromagnetic locks for specialty applications including the M490DE for delayed egress, 490G for gates, GF3000 shear locks for mortised/vertical doors, and the 320M for sliding door applications.

## Benefits

The M400 Series electromagnetic locks feature a bayonet mounting system that allows the installer to have their hands free during the mounting process. All M400 Series electromagnetic locks are symmetrical with field-selectable handing, allowing for optimum placement of the magnet no matter the application.

Schlage specialty electromagnetic locks are each designed with specific feature sets to optimize performance in the variety of unique, harsh and complex environments for which they are suited.

# Power supplies

## Overview

PS900 Series power supplies and accessories offer enhanced flexibility and functionality specific to the changing needs of the access control market. The PS900 Series can be used in a variety of applications to convert high voltage AC power into the low voltage DC outputs required by most access control devices. The PS900 Series protects devices downstream by providing Class 2<sup>1</sup>, filtered and regulated power. The full line is UL 294 certified.

## Features

The PS900 Series features three Schlage branded models; PS902 - 2 amp, PS904 - 4 amp, and PS906 – 6 amp. The PS900 Series also features the Von Duprin PS914 – 4 amp with high in-rush which is designed specifically for use with electrified exit devices. The full series of power supplies can be outfitted with a variety of distribution options including basic fuse protection, simple relay, and advanced logic providing complex sequencing and timing functions.

## Benefits

Common to the line of PS900 Series power supplies is a constant output rating at both 12v and 24v settings, universal 120 VAC to 240 VAC input, and polarized option board connectors. An optional fire alarm interface board mounting allows outputs to be configured as switched (power cut) or unswitched (power continues) when alarm signal is provided.

Installation is simplified by utilizing a flat mounting design and polarized locking connectors for option boards. This new design eliminates the need for racks and side connectors. The flat mounting of the option boards also provides for easier access to the terminal blocks for connection of electrified devices (such as electrified strikes, electromagnetic locks, card readers, etc).

<sup>1</sup> PS906 can provide Class 2 rated outputs when used with 900-8P distribution board.

# System accessories

## Overview

System accessories include a variety of devices that enable specific functionality whether in standalone applications or as part of networked access control systems. The category is comprised of pushbuttons, key switches, request-to-exit bars, monitoring stations and consoles, exit sensors, electric horns and more.

## Features

The specially designed 620/631 Series heavy-duty pushbuttons and 700 Series general purpose pushbuttons, as well as the 650 Series heavy-duty keyswitches, offer momentary or maintained SPDT or DPDT contact configurations.

The 700 Series pushbuttons are used to control the ingress and/or egress of a door.

The 620/631 Series are heavy-duty and have multiple button configurations and finish options.

The 650 Series keyswitches utilize an innovative magnetic spring design which allows installers to quickly configure both clockwise and counterclockwise key turn direction, as well as momentary or maintained action.

The 740 Series emergency break glass releases are designed for use as emergency releases of non-designated egress doors such as in individual and partitioned laboratories, secluded testing areas, or other isolated work rooms that are purposely provided with exit doors.

The 672/692 Series request-to-exit bars are non-latching releasing devices which allow egress at doors with electric locking devices, such as electromagnetic locks.

The SCAN II is a passive infrared (PIR) sensor specifically designed for request-to-exit applications.

The 8200 Series consoles provide door control and monitoring for up to eight zones. The 8204 is used for one to four zones and the 8208 for one to eight zones.

The 800/801 Series monitoring stations can provide monitoring for a single zone with up to 2 LED indicators. The 801 unit includes an audible and visual indication of lock status and delay activation.

The 660 Series mini station control is designed for concealed desk application, and it is used to release an electric or electronic locking mechanism from a remote location.

Electric horns are designed for use as an immediate local audible warning device incorporated in a security system. Horns are field selectable 12 or 24 VDC with eight combinations of volume, tone and code.

Magnetic door position switches can be used to monitor a wide range of conditions for doors, roof hatches, gates or the proximity of any two objects.

Electric power transfers (EPT) are also used when installing electrified exit devices or electrified locks. They provide a means of transferring electrical power from a door frame to the edge of a swinging door.

Electrified hinges and power transfer pivots integrate seamlessly with your access control system and your door mounted electrified hardware.

Armored door cords are used when installing electric exit devices or electric locks and provide a simple and economical solution for transferring power from frame to door.

The 442S cabinet lock by Schlage provides a versatile solution to add access control to a cabinet.

The PB405 PowerBolt is a mortise, right angle deadbolt with which is available with fail-safe or fail-secure options.

## Benefits

System accessories allow you to customize each opening to meet specific security and safety needs. Schlage offers a variety of the most popular accessories designed for medium to heavy-duty applications. By choosing Schlage components, you can be assured that the system will meet the requirements of the job, whether new construction or aftermarket.

## Power supplies - Schlage and Von Duprin

	PS902	PS904	PS906	PS914
<b>Features</b>				
Input voltage	120V/240V AC, 50/60 Hz, universal input			
Output voltage	2 amp @ 12V or 24V DC, field selectable	4 amp @ 12V or 24V DC, field selectable	6 amp @ 12V or 24V DC, field selectable	4 amp, High Inrush @ 12V or 24V, field selectable
Distribution/option board connectors	1	2	3	2
Fire alarm plug-in connector	Yes	Yes <sup>1</sup>	Yes <sup>1</sup>	Yes <sup>1</sup>
Battery backup plug-in connector	Yes	Yes	Yes	Yes
<b>Enclosure</b>				
Dimensions (H x W x D)	14 in x 12 in x 4 in			
Key lock option	Y	Y	Y	Y
<b>Battery backup</b>				
900-BB: battery backup board only	Y	Y	Y <sup>3</sup>	Y
900-BBK: battery backup kit	Y	Y	Y <sup>3</sup>	Y
<b>Option boards</b>				
900-FA: fire alarm	Y	Y (Must be installed on an option board)	Y (Must be installed on an option board)	Y (Must be installed on an option board)
900-2RS: 2 relay option board	Y	Y	Y	Y
900-4R: 4 relay option board	Y	Y	Y	Y
900-4RL: 4 relay logic board	Y	Y	Y	Y
900-8F: fuse protected 8 zone board	Y	Y	Y	Y
900-8P: PTC 8 zone distribution board	Y	Y	Y (Class 2 rated on PS906 only)	Y
<b>Certifications</b>				
UL 294	Y	Y	Y	Y
ULC-S318	Y	Y	Y	Y
Class 2	Y	Y	Y <sup>2</sup>	Y
RoHS	Y	Y	Y	Y
FCC Part 15	Y	Y	Y	Y

1 Requires available option board for connection.

2 Class 2 rated outputs can be provided using 900-8P distribution board in conjunction with the PS906.

3 Addition of battery in compartment limits option board application to two.



## Electromagnetic locks

	M400 electromagnetic locks				
	M420, M420P	M450, M450P	M490, M490P	M490DE, M490DEP	M490G
<b>Features</b>					
Hold force	500 lbs.	1000 lbs	1500 lbs	1300 lbs	1500 lbs
Input voltage	12V/24V DC	12V/24V DC	12V/24V DC	12V/24V DC	12V/24V DC
Current draw	0.75A @ 12V DC 0.38A @ 24V DC	0.75A @ 12V DC 0.38A @ 24V DC	0.65A @ 12V DC 0.35A @ 24V DC	.75A @ 12V DC .45A @ 24V DC	0.65A @ 12V DC 0.35A @ 24V DC
<b>Dimensions</b>					
Lock dimensions (H x L x W)	2.5 in x 9 in x 1.375 in	3 in x 10.25 in x 1.75 in	3 in x 12.5 in x 1.75 in	3 in x 12.5 in x 3.0625 in	3 in x 11 in x 1.75 in
Weight	6 lbs	10 lbs	14 lbs	16 lbs	14 lbs
<b>Certifications</b>					
ANSI/BHMA 156.23	Y	Y	Y	-	Y - Outdoor Rated
ANSI/BHMA 156.24	-	-	-	Y	-
UL 10C	3-hour	3-hour	3-hour	3-hour	-
UL 1034	Y	Y	Y	-	-
UL 294	Y	Y	Y	Y	-
cUL	Y	Y	Y	Y	-
CSFM	Y	Y	Y	Y	-

M490DEP also meets NFPA 101 Life Safety Code and can be ordered as BOCA compliant.

## Electromagnetic locks

	Specialty mag locks		
	GF3000SM (Surface mount)	GF3000 (Mortise mount)	320M
<b>Features</b>			
Hold force	3000 lbs	3000 lbs	400/550 lbs
Input voltage	12V/24V DC	12V/24V DC	12V/24V DC
Current draw	0.90A @ 12V DC 0.45A @ 24V DC	0.90A @ 12V DC 0.45A @ 24V DC	0.23A @12V DC 0.45A @ 24V DC
<b>Dimensions</b>			
Lock dimensions (H x L x W)	1.875 in X 9.8125 in X 2 in	1.5 in X 9.5 in X 1.5 in	1.375 in x 7 in x 1.875 in
Weight	9 lbs	7 lbs	6 lbs
<b>Certifications</b>			
ANSI/BHMA 156.23	Y	Y	N/A
ANSI/BHMA 156.24	-	-	-
UL 10C	3-hour	3-hour	3-hour
UL 1034	Y	Y	-
UL 294	-	-	-
cUL	Y	Y	Y
CSFM	Y	Y	Y

This page intentionally left blank.

Allegion, the Allegion logo, Falcon, Schlage, the Schlage logo, and Von Duprin are trademarks of Allegion plc, its subsidiaries and/or affiliates in the United States and other countries. All other trademarks are the property of their respective owners.

## About Allegion

Allegion (NYSE: ALLE) is a global pioneer in safety and security, with leading brands like CISA®, Interflex®, LCN®, Schlage®, SimonsVoss® and Von Duprin®. Focusing on security around the door and adjacent areas, Allegion produces a range of solutions for homes, businesses, schools and other institutions. Allegion is a \$2 billion company, with products sold in almost 130 countries. For more, visit [www.allegion.com](http://www.allegion.com).

KRYPTONITE ■ LCN ■  ■ STEELCRAFT ■ VON DUPRIN



© 2020 Allegion  
005028, Rev. 09/20  
[www.allegion.com/us](http://www.allegion.com/us)

VON DUPRIN®

## 4200 Series

Electric strike for cylindrical locks and deadlatches



### Overview

4200 Series is designed to offer versatility in two commercial-duty electric door strike models. They are a great choice for applications where interior traffic control is the primary function. And with their solid construction and heavy-duty stainless steel faceplate, they meet ANSI/BHMA Grade 1 for endurance and dynamic strength.

Designed for compatibility with a wide range of cylindrical devices, they are able to address a broad range of needs. You'll find 4200 Series strikes work with all Schlage and Falcon cylindrical locks as well as those of many other manufacturers.

These reliable strikes are easy to order, configure and install. Field selectable options include changing fail safe and fail secure modes without disassembly. They also feature a 12/24 dual-voltage solenoid for field wiring of either input voltage. Factory orderable options include an entry buzzer and rectifier kits to provide even greater flexibility and available parts include square or round cornered ANSI faceplates.

### Features and benefits

- Designed for cylindrical applications
- Capable of four in-field configurations
- Shallow 1-3/8" backbox depth
- Field selectable 12/24 VDC voltage
- Non-handed, internal solenoid design
- Low current draw for PoE installations
- Field selectable power failure mode (fail-safe/fail-secure) without disassembly
- Heavy-duty stainless steel faceplate
- Latchbolt monitoring available (4212 model)
- Options include entry buzzer and rectifier kits
- Suitable for interior and exterior doors
- Meets ANSI/BHMA A156.31, Grade 1 for endurance and dynamic strength
- Meets ANSI/BHMA A156.31, Grade 2, 1000 lbs static strength
- Dynamic strength 70 ft-lbs
- Endurance 500,000 cycles

## Lockset compatibility

The 4200 series is compatible with all Schlage and Falcon cylindrical locks as well as cylindrical and deadlatch locks of many other manufacturers.

- The 4211 is compatible with locksets with  $\frac{5}{8}$ " (15 mm) throw latchbolts, or up to  $\frac{3}{4}$ " (19mm) throw latchbolts with a  $\frac{1}{8}$ " door gap.
- The 4212 is compatible with locksets with  $\frac{1}{2}$ " (12.7mm) throw latchbolts, or up to  $\frac{5}{8}$ " (15 mm) throw latchbolts with a  $\frac{1}{8}$ " door gap.

## 4200 Series power requirements

Model	Voltage	Current	Duty	Amps	Ohms
4211 or 4212	12V	DC	Continuous	0.20	
4211 or 4212	24V	DC	Continuous	0.10	

### 4212 Latchbolt monitor switch rating: 30VDC at 0.20 A

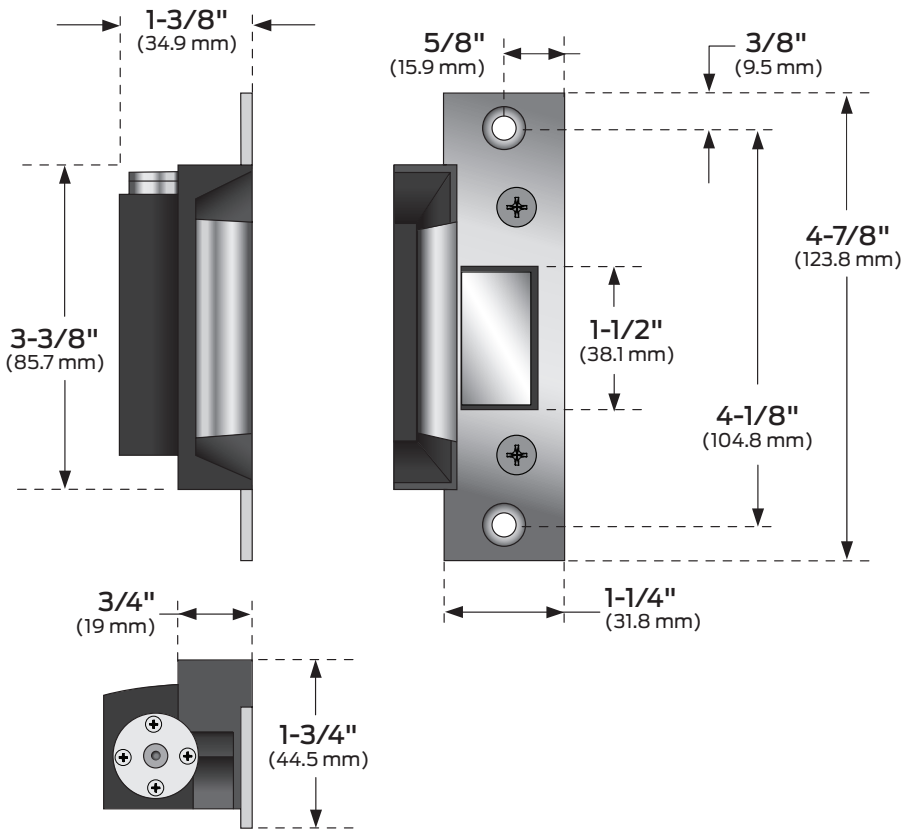
The 4200 series requires a DC regulated power supply, and the Schlage P5900 series power supplies are recommended.

Continuous duty = Energized 1 minute or more

## Model specifications

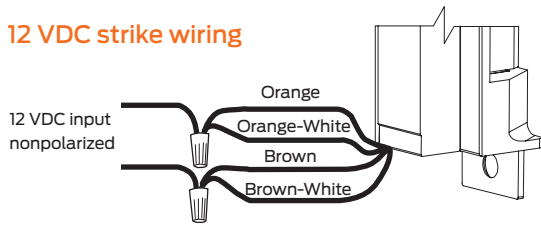
Model number		4211	4212
Retrofits model		HES 5200, RCI 6 Series	HES 5000, RCI 6 Series
Latchbolt throw		$\frac{3}{4}$ "	$\frac{5}{8}$ "
Latchbolt monitor switch		---	■
Face plate length		4 $\frac{7}{8}$ "	4 $\frac{7}{8}$ "
Backbox depth		1 $\frac{3}{8}$ "	1 $\frac{3}{8}$ "
Finish (faceplate)		BHMA 630/US32D	
Lockset	Cylindrical	■	■
	Deadlatch	■	■
	Mortise	---	---
Number of doors	Single	■	■
	Pair	---	---
Frame type	Hollow metal	■	■
	Aluminum	■	■
	Wood	---	---
Options	EB (entry buzzer - fail-secure only)	■	■
	S012 & S024 rectifier kit for AC to DC operation	■	■

# Dimensions

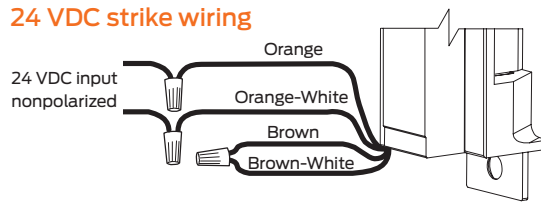


# Wiring

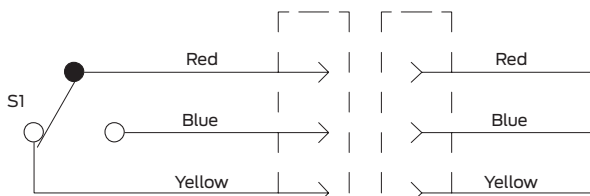
## 12 VDC strike wiring



## 24 VDC strike wiring



## Latchbolt monitoring switch (4212 only)



Switch shown with latch status tripper depressed

# Ordering information

4200-S024-EB



\* Optional

Selections correspond with the numbers above

1	Model
4211	See model specification chart to make the proper selection
4212	See model specification chart to make the proper selection
2	Rectifier kit (optional)
S012	Converts 12 VAC voltage to 12 VDC to operate the solenoid
S024	Converts 24 VAC voltage to 24 VDC to operate the solenoid
3	Buzzer (optional)
EB	Entry Buzzer, with fail-secure (FSE) configured

## Standard features

- Power failure mode: Field configurable fail-secure/fail-safe
- Voltage: Field configurable 12 VDC/24 VDC dual voltage solenoid
- Finish: BHMA 630/US32D satin stainless steel
- Includes mounting tabs, fail secure conversion hex key, wood and machine screws, plus a suppressing diode.

Allegion, the Allegion logo, Von Duprin and the Von Duprin logo are trademarks of Allegion plc, its subsidiaries and/or affiliates in the United States and other countries. All other trademarks are the property of their respective owners.

## About Allegion

Allegion (NYSE: ALLE) is a global pioneer in safety and security, with leading brands like CISA®, Interflex®, LCN®, Schlage®, SimonsVoss® and Von Duprin®. Focusing on security around the door and adjacent areas, Allegion produces a range of solutions for homes, businesses, schools and other institutions. Allegion is a \$2 billion company, with products sold in almost 130 countries. For more, visit [www.allegion.com](http://www.allegion.com).

KRYPTONITE ■ LCN ■  ■ STEELCRAFT ■ VON DUPRIN



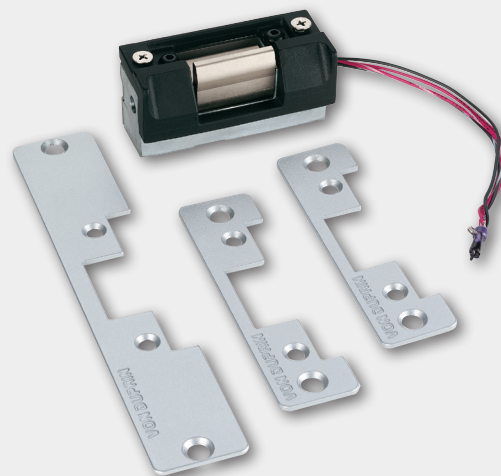
© 2019 Allegion  
010151, Rev.12/19  
[www.allegion.com/us](http://www.allegion.com/us)



VON DUPRIN®

## 5100 Series

Electric strike for cylindrical locksets and deadlatches



### Overview

The Von Duprin 5100 Series electric door strike has been designed to offer flexibility and convenience for locksmiths and security professionals alike. This easy-to-install electric strike was created for medium-duty applications, specifically to control traffic flow through interior and exterior openings in retail and commercial environments.

The 5100 electric strike is compatible with a wide range of cylindrical devices and is extremely versatile for field conversions. The combination of three faceplate options plus field selectable voltage and power fail modes allows it to be changed on the job site to create as many as 12 different configurations. An adjustable keeper also improves fit for applications with weather stripping or tight door preps. In short, the 5100 provides added convenience by ensuring the right parts are in the box to get the job done.

Like other Von Duprin strikes, the 5100 was developed to meet high standards and engineered for reliability and quality. Its durable construction and tamper-resistant design stands up to abuse and is tested to over one million cycles.

### Features and benefits

- Designed for cylindrical applications
- Capable of 12 in-field configurations
- Three faceplates standard in every box
- Field selectable 12/24 voltage
- Non-handed, internal solenoid design
- Field selectable power failure mode (fail-safe/fail-secure)
- Adjustable keeper improves fit on tight door preps
- Options include 12 and 24 VAC to VDC rectifier kits
- Available in three finishes to suite with existing hardware
- Suitable for interior and exterior doors
- UL 1034 listed for burglary-resistant electric door strikes

## 5100 Series power requirements

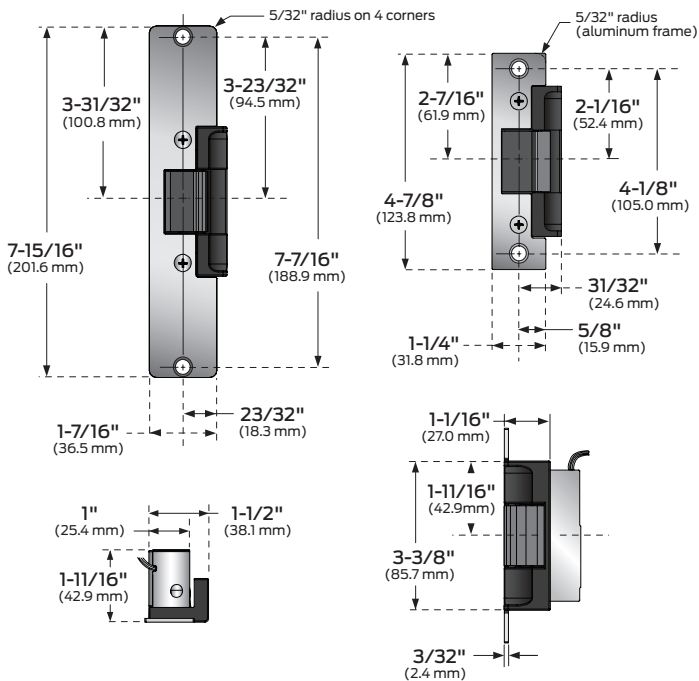
Model	Voltage	Current	Duty	Amps	Ohms
5100	12V	DC	Continuous	0.38	32
5100	24V	DC	Continuous	0.19	128

Continuous duty = Energized 1 minute or more

## Model specifications

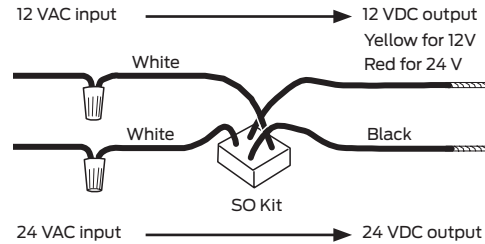
Model number	5100
Retrofits model	HES 5000C, 5200C, RCI 7 Series
Latchbolt throw	1/2" to 5/8" (1/2" keeper depth)
Face plate length	4 7/8" or 7 15/16"
Backbox depth	1 11/16"
Lockset	Cylindrical and deadlatch
Number of doors	Single
Frame type	Hollow metal, aluminum and wood
Listings	UL 1034 burglary listing
Application notes	Versatile electric strike for aftermarket, covering multiple applications in one SKU.

**Lockset compatibility:** Keeper depth of 1/2" is sufficient to accommodate all cylindrical locks up to 5/8" throw and most aluminum narrow stile deadlatches.

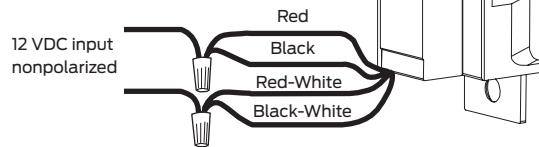


Solenoid power requirements; 12VDC, 0.38 A, 24 VDC, 0.19 A

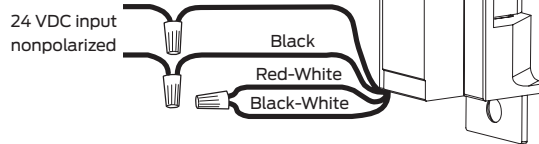
For DC operation, Von Duprin PS902 series power supply is recommended. For AC operation, Von Duprin SO24 kit is recommended.



## 12 VDC strike wiring



## 24VDC strike wiring



## Ordering information

5100-US19-S024

Model	Finish	Rectifier kit*
1	2	3

\* Optional

Selections correspond with the numbers above

1	Model
5100	Electric strike for cylindrical locksets
2	Finish
US SP28/BHMA 689	Aluminum
US 19/BHMA 622	Flat Black
US SP313/BHMA 695	Dark brown
3	Rectifier kit (optional)
S012	Converts 12 VAC voltage to 12 VDC to operate the solenoid
S024	Converts 24 VAC voltage to 24 VDC to operate the solenoid

## Standard features

- Power failure mode: Field configurable fail-secure/fail-safe
- Voltage: Field configurable 12VDC/24 VDC dual voltage solenoid
- Mounting tabs and shims
- Self-adhesive neoprene filler for retrofits

## About Allegion

Allegion (NYSE: ALLE) is a global pioneer in safety and security, with leading brands like CISA®, Interflex®, LCN®, Schlage®, SimonsVoss® and Von Duprin®. Focusing on security around the door and adjacent areas, Allegion produces a range of solutions for homes, businesses, schools and other institutions. Allegion is a \$2 billion company, with products sold in almost 130 countries. For more, visit [www.allegion.com](http://www.allegion.com).

KRYPTONITE ■ LCN ■ SCHLAGE ■ STEELCRAFT ■ VON DUPRIN

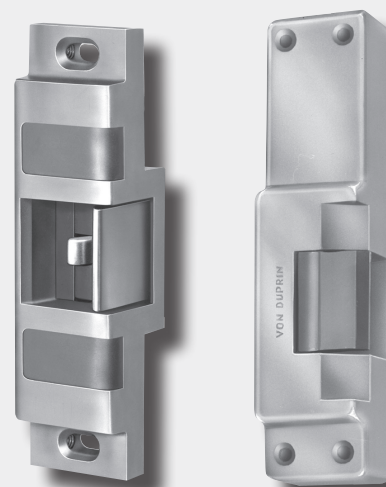


© 2019 Allegion  
005009, Rev. 02/19  
[www.allegion.com/us](http://www.allegion.com/us)

VON DUPRIN®

## 6100 Series

Strikes for rim exit devices



### Overview

Von Duprin electric strikes are known for their reliability, durability and security. The 6100 Series strikes are designed to withstand abuse. Their heavy-duty stainless steel construction is UL1034 listed.

6100 Series electric door strikes are designed for use with a variety of rim exit devices including rim nightlatch. Electrified strikes allow remote release of a locked door by activating a movable lip (keeper) using an entry/exit button or credential reader and can be a cost effective means for managing access. 6100 Series strikes come standard as 24 VDC in fail secure mode. 12 VDC and AC operation can be selected, as can fail safe mode and other options that enable you to configure these strikes to fit your exact needs.

Use 6100 Series electric strikes for retrofit applications or new construction. To assure the proper selection of an electric strike on new applications, lockset compatibility charts are shown on the next page. When using a lockset not listed or if retrofitting a strike to an existing application, please contact Von Duprin technical support for application assistance.

### Features and benefits

- Five configurations available for rim exit and nightlatch devices
- Heavy-duty stainless steel construction
- Strike box allows horizontal adjustment to compensate for misalignment of the door or frame
- 24 VDC standard with 12 VDC and AC operation optional
- Two-piece plug connectors are furnished for ease of installation and removal during strike servicing
- Options include rectifier kit for VAC to VDC conversion, dual monitor switches, entry buzzer and Allegion Connect wire extension
- Six popular finishes available to suite with existing hardware
- Suitable for interior or exterior doors
- UL 10C 3-hour fire-rated electric strike (models 6111, 6112 and 6113 – fail secure only)
- UL 1034 listed for burglary-resistant electric door strikes



## Model specifications

Model number	6111	6112	6113	6114	6121	
Retrofits model	VD 3031	FA 310-4	VD 3011 VD 3021	FA 310-5	FA 310-4-100	
Latchbolt throw	3/4"	3/4"	3/4"	3/4"	3/4"	
Face plate length	6"	9"	6"	7 1/2"	9 1/8"	
Backbox depth	1 5/8"	1 11/16"	1 15/16"	N/A	N/A	
Lockset	Rim exit device	Rim exit device	Rim exit device	Rim nightlatch	Rim exit device	
Number of doors	Single	■	■	■	---	
	Double door with mullion	■	---	---	---	
	Double door without mullion	---	---	---	■	
Door/frame type	Hollow metal	■	■	■	■	
	Aluminum	■	■	■	■	
	Wood	■	■	■	---	■
Options	Blade stop shim	Yes	No	Yes	No	No
	DS or DS-LC (dual monitor switches)	Yes	Yes	Yes	Yes	Yes
	EB (entry buzzer - fail-secure only)	Yes	Yes	Yes	Yes	Yes
Certifications/ Listings	UL 1034	■	■	■	■	■
	UL 10C Single Door	3 hour	3 hour	3 hour	---	---
	UL 10C Pair Door*	90 minutes	90 minutes	90 minutes	---	---
Application notes	1	2	3	4	5	

\*With manufacturer's mullion.

Note: 16 VDC and 28 VDC solenoid are sold as replacement parts for existing strikes. Please contact customer care for details.

### Application notes:

- 1/2" projection blade stop shim 010055-XX available for use on cased opening or blade stop frames. Specify when using 55 rim devices. May also be used with vertical rod exit devices noted on previous page x Pullman latch LBR (non-fire rated).
- When used to replace Folger Adam 310-4, minor frame prep modification required.
- 1/2" projection blade stop shim 010055-XX available for use on cased opening or blade stop frames (non-fire rated).
- Surface applied strike designed to replace Folger Adam 310-5 with different mounting hole locations from Folger Adam.
- Designed to mount on inactive leaf.

### Rim exit device compatibility 6111, 6112, 6113 and 6121 strikes

Manufacturer	Device
Von Duprin	22, 33A, 35A, 55 <sup>1</sup> , 88, 98, 99 8827 LBR <sup>4</sup> x Pullman latch Non-Fire rated 9827 LBR <sup>4</sup> x Pullman latch Non-Fire rated 9927 LBR <sup>4</sup> x Pullman latch Non-Fire rated
Falcon Monarch <sup>2</sup>	XX-R, 18-R, 19-R, 24-R, 25-R
Falcon Doromatic	1790
Precision <sup>2</sup>	2100
Sargent	2800, 6500, 6800, 8500, 8800, 9500, 9800 <sup>3</sup> , 9898
Yale	1500, 700

1. Strike must be factory modified, specify when using with a 55 Rim device.
2. Deadlocking feature will not properly function, consult factory.
3. Panic only, not fire-rated.
4. 6111 is recommended for LBR applications.

Note: When using a lockset not listed or when retrofitting an existing application, please contact Von Duprin technical support for application assistance.

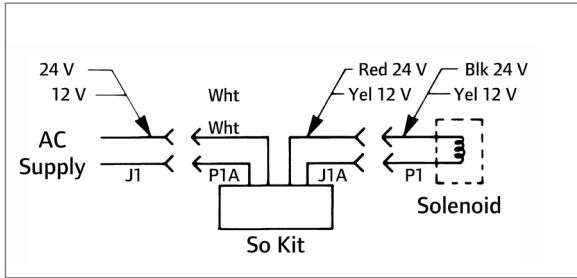
## 6100 Series power requirements

Models	Voltage	Current	Duty	Amps	Ohms
All	12V	DC	Continuous	0.60	21
All	24V	DC	Continuous	0.33	83

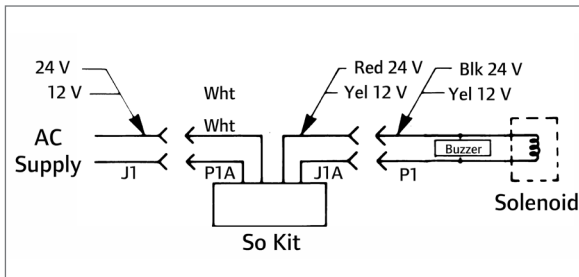
Continuous duty = Energized 1 minute or more

## Wiring

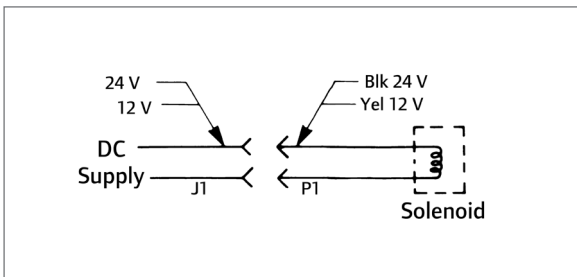
### AC



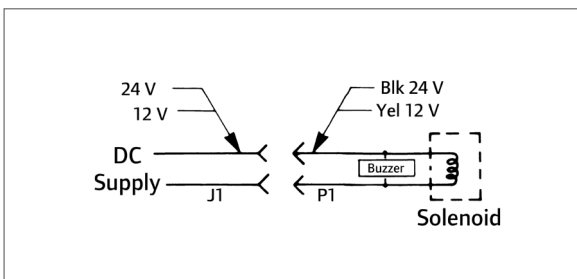
### AC with buzzer



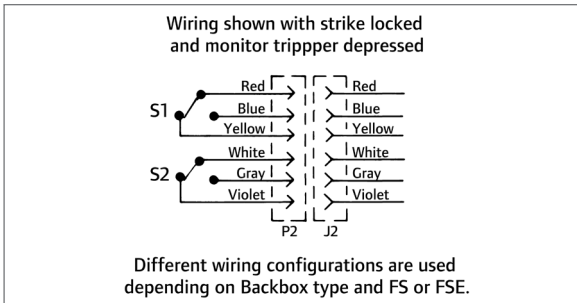
### DC



### DC with Buzzer

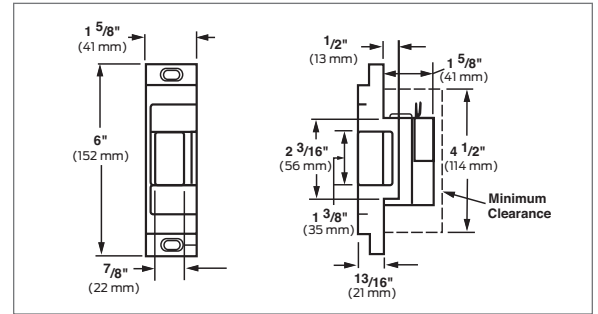


### Optional DS (FSE Shown)

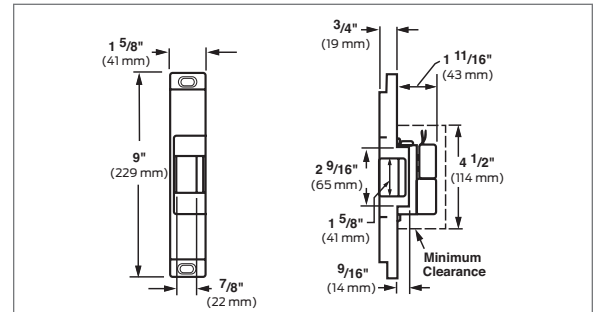


## Dimensions

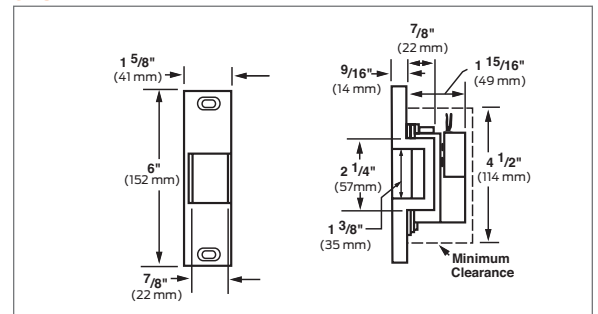
### 6111



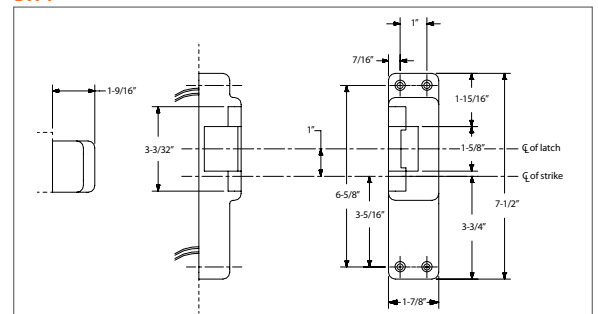
### 6112



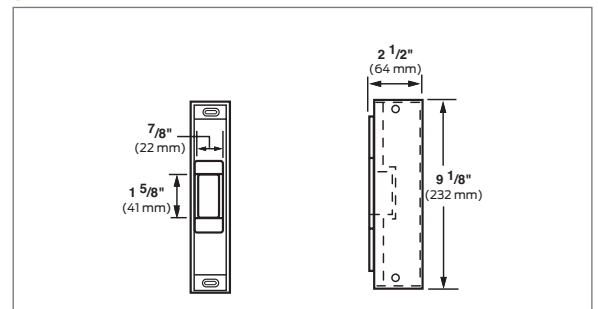
### 6113



### 6114



### 6121



## Ordering information

6112-FSE-DS-24-S024-US3-EB-CON

Model	Power failure mode	Dual switch*	Voltage	Rectifier kit*	Finish	Buzzer*	Allegion Connect*
1	2	3	4	5	6	7	8

\* Optional

Selections correspond with the numbers above

<b>1</b>	<b>Model</b>
Reference specification chart to make the proper model selection	
<b>2</b>	<b>Power failure mode</b>
FSE	Fail-secure. Requires power to be applied to unlock the strike lip. On loss of power, the strike lip is locked. <b>Fire-rated.</b>
FS	Fail-safe. Requires power to be applied to lock the strike lip. On loss of power, the strike lip is unlocked. <b>Non-fire-rated.</b>
<b>3</b>	<b>Dual switch (optional)</b>
DS	Monitors latch bolt and lock status. DS switches rated for 24 VDC at .050 - 2.0 amps.
DS-LC	Low current option for computer monitoring. Monitors latch bolt & lock status. DS-LS switches rated for 24 VDC at .050 amp or less.
<b>4</b>	<b>Voltage (VDC)</b>
24	Low voltage DC power
12	Low voltage DC power
If AC power is required, specify rectifier kit.	
<b>5</b>	<b>Rectifier kit (optional)</b>

S012	Converts 12 VAC voltage to 12 VDC to operate the solenoid
S024	Converts 24 VAC voltage to 24 VDC to operate the solenoid
<b>6</b>	<b>Finish</b>
US3/BHMA 605	Plated polished brass on stainless steel
US4/BHMA 606	Plated satin brass on stainless steel
US10/BHMA 612	Plated satin bronze on stainless steel
US10B/BHMA 613	Plated dark bronze, oil rubbed on stainless steel
US32/BHMA 629	Stainless steel, polished
US32D/BHMA 630	Stainless steel, satin
<b>7</b>	<b>Buzzer (optional)</b>
EB	Entry Buzzer
Only available if Fail-Secure (FSE) is specified.	
<b>8</b>	<b>Allegion Connect</b>
CON	Allegion Connect Connector
6 in. wire extension harness available	

Allegion, the Allegion logo, Von Duprin, the Von Duprin logo, and Falcon are trademarks of Allegion plc, its subsidiaries and/or affiliates in the United States and other countries. All other trademarks are the property of their respective owners.

### About Allegion

Allegion (NYSE: ALLE) is a global pioneer in safety and security, with leading brands like CISA®, Interflex®, LCN®, Schlage®, SimonsVoss® and Von Duprin®. Focusing on security around the door and adjacent areas, Allegion produces a range of solutions for homes, businesses, schools and other institutions. Allegion is a \$2 billion company, with products sold in almost 130 countries. For more, visit [www.allegion.com](http://www.allegion.com).

KRYPTONITE ■ LCN ■  ■ STEELCRAFT ■ VON DUPRIN

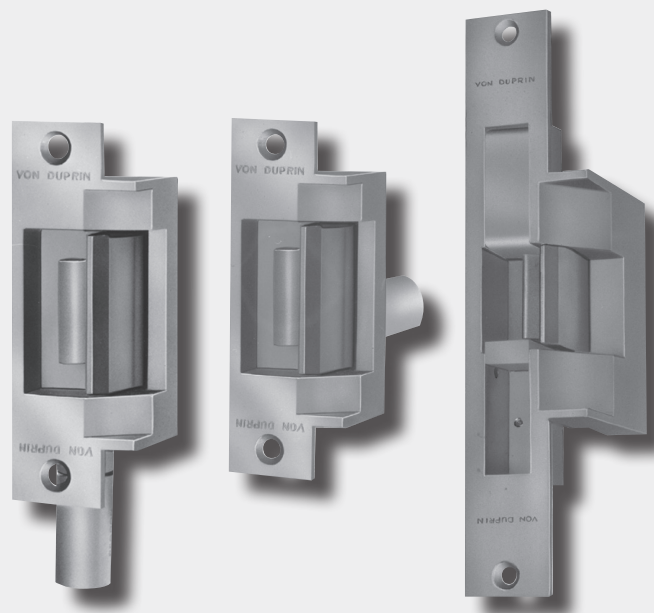


© 2019 Allegion  
005282, Rev. 12/19  
[www.allegion.com/us](http://www.allegion.com/us)

**VON DUPRIN®**

## 6200 Series

Strikes for mortise or cylindrical devices



### Overview

Von Duprin electric strikes are known for their reliability, durability and security. The 6200 Series strikes are designed to withstand abuse. Their heavy-duty stainless steel construction is fully UL 1034 and UL 10C listed.

6200 Series electric door strikes are designed for use with a variety of mortise or cylindrical locksets. Electrified strikes allow remote release of a locked door by activating a movable lip (keeper) using an entry/exit button or credential reader and can be a cost effective means for managing access. 6200 Series strikes come standard as 24 VDC in fail secure mode. 12 VDC and AC operation can be selected, as can fail safe mode and other options that enable you to configure these strikes to fit your exact needs.

Use 6200 Series electric strikes for retrofit applications or new construction. To assure the proper selection of an electric strike on new applications, lockset compatibility charts are shown on the next page. When using a lockset not listed or when retrofitting a strike to an existing application, please contact Von Duprin Technical Support for application assistance.

### Features and benefits

- 17 configurations available for cylindrical and mortise applications
- Heavy-duty stainless steel construction
- 24 VDC standard with 12, 16 and 28 VDC operation optional
- Two-piece plug connectors are furnished for ease of installation and removal during strike servicing
- Options include rectifier kit for VAC to VDC conversion, dual monitor switches, entry buzzer and Allegion Connect wire extension
- Six popular finishes available to suite with existing hardware
- Suitable for interior and exterior doors
- UL 10C 3-hour fire-rated (fail secure only)
- UL 1034 listed for burglary-resistant electric door strikes

\* Certification detail is listed within Model Specifications



## 6200 Series power requirements

Models	Voltage	Current	Duty	Amps	Ohms
All	12V	DC	Continuous	0.60	21
All	16V	DC	Continuous	0.40	38
All	24V	DC	Continuous	0.33	83
All	28V	DC	Continuous	0.25	111

Continuous duty = Energized 1 minute or more

## Mortise lockset compatibility<sup>1,3</sup>

6211, 6211AL, 6211WF, 6212, 6213, 6214, 6215, 6221, 6222, 6223, 6224, 6224AL, 6225 and 6226 strikes

Manufacturer	Model number
Von Duprin	7500
Adams Rite	4510, 4710
Baldwin	6000
Best	24H, 30H
Corbin	9000
Falcon	M2300, M2500, M2600, M3300, M3500, M3600
Precision	Mortise
Russwin	Mortise
Sargent	7700, 8100, 9000
Schlage	L9000, K30, K40, K50, K60
Yale	7030, 7130, 8600, 8700

## Mortise lockset compatibility<sup>1,3</sup>

6210

Manufacturer	Model number
Von Duprin	7500
Best	30H (not 45H/47H)
Corbin/Russwin	ML2200, 5000, 9000, CR2200 (not 2000)
Falcon	M100, M200, M300, M400, M500, M600
Sargent	7700, 8100 (not 7800/8200)
Schlage	L9000
Yale	8700 (not 8800)

## Cylindrical lockset compatibility<sup>1,3</sup>

6211, 6211AL, 6211WF, 6212, 6213, 6214, 6215, 6221, 6222, 6223, 6224, 6224AL, 6225 and 6226 strikes

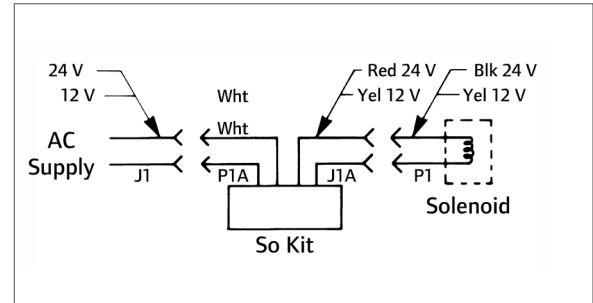
Manufacturer	Cylindrical latchbolt projection
Baldwin	1/2" - 3/4" (13 mm - 19 mm)
Best	3/8" - 3/4" (10 mm - 19 mm) <sup>2</sup>
Corbin	1/2" - 3/4" (13 mm - 19 mm)
Falcon	1/2" - 3/4" (13 mm - 19 mm)
Russwin	1/2" - 3/4" (13 mm - 19 mm)
Sargent	1/2" - 3/4" (13 mm - 19 mm)
Schlage	3/8" - 3/4" (10 mm - 19 mm) <sup>2</sup>
Yale	1/2" - 3/4" (13 mm - 19 mm)

Note: When using device not listed or when retrofitting a strike to an existing application, please contact Von Duprin Technical Support for application assistance.

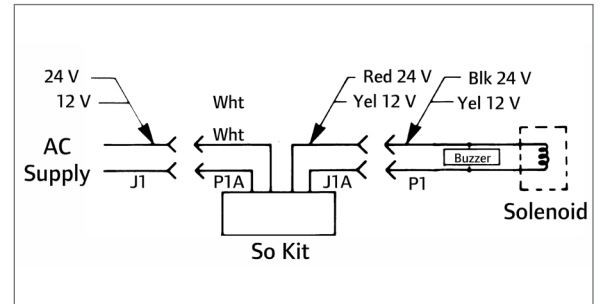
- Von Duprin cannot guarantee compatibility, as other manufacturer's designs may change without notice.
- Signalling may not function when using 3/8" (10 mm) throw bolt. Deadlocking cannot be guaranteed with all locks.
- When using a lockset not listed or when retrofitting a strike to an existing application, please contact Von Duprin Technical Support for assistance.

## Wiring

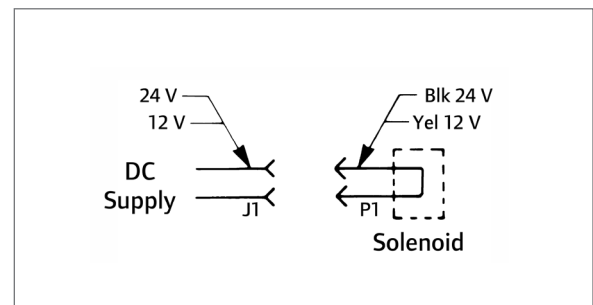
### AC



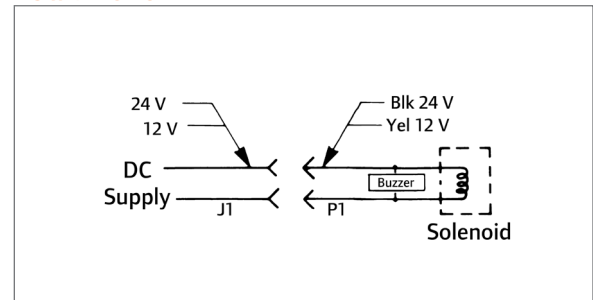
### AC with Buzzer



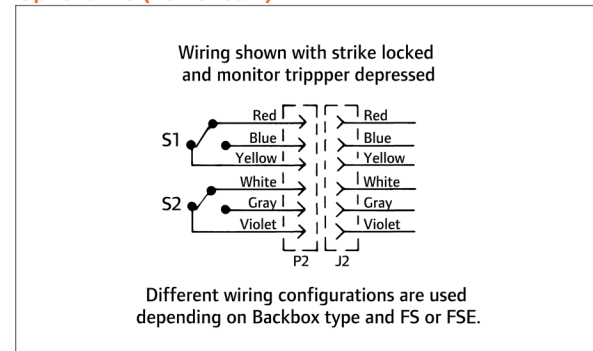
### DC



### DC with Buzzer



### Optional DS (FSE Shown)





## Model specifications

Model number		6210	6211	6211AL	6211WF	6212
Retrofits model		N/A	VD 3140 FA 712	FA 722	FA 732	VD 3146
Latchbolt throw		3/4"	3/4"	3/4"	3/4"	3/4"
Face plate length		4 7/8"	4 7/8"	4 7/8"	4 7/8"	6 3/8"
Backbox depth		1 3/4"	1 11/16"	1 11/16"	4 1/2"	1 21/32"
Lockset	Mortise without deadbolt	■	■	■	■	■
	Mortise with deadbolt 1" throw	---	---	---	---	---
	Cylindrical	---	■	■	■	■
Number of doors	Single	■	■	■	■	■
	Pair	---	---	---	---	---
Door and frame type	Hollow metal	■	■	---	---	■
	Aluminum	■	■	■	---	■
	Wood	---	---	---	■	---
Options	DS or DS-LC (dual monitor switches)	■	■	■	■	■
	EB (entry buzzer - fail-secure only)	■	■	■	■	■
	28 VDC AC rectifier kit	■	■	■	■	■
	16 VDC solenoid	■	■	■	■	■
Certifications/ Listings	UL 1034	■	■	■	■	■
	UL 10C	3 hour	3 hour	3 hour	3 hour	3 hour
	ANSI/BHMA 156.31, Grade 1	---	■	■	■	---
Application Notes		1	1	---	2	3

### Application notes:

1. For use in ANSI prep at standard height. Strike pocket inserts are provided to accommodate different manufacturers deadlocking trigger locations.
2. Designed to replace Folger Adams 732. Wood frame horizontal solenoid location differs from Folger Adams. Requires additional frame prep when retrofitting.
3. Fits modified ANSI 115.2 cutout. Designed to replace Von Duprin 3146.



## Model specifications

Model number	6212WF	6213	6214	6215	6216	6221	
Retrofits model	N/A	VD 3041, 3042, 3061, 3062	FA 310-2 3/4	FA 310-2	FA 310-3-1	VD 3071 VD 3072	
Latchbolt throw	3/4"	3/4"	3/4"	3/4"	3/4"	3/4"	
Face plate length	6 3/8"	6"	9"	9"	9"	6"	
Backbox depth	4 1/2"	2 1/2"	2"	1 5/8"	2 7/8"	4 3/4"	
Lockset	Mortise without deadbolt	■	■	■	■	---	■
	Mortise with deadbolt 1" throw	---	---	---	---	■	---
	Cylindrical	■	■	■	■	---	■
Number of doors	Single	■	■	■	■	■	---
	Pair	---	---	---	---	---	■
Door and frame type	Hollow metal	---	■	■	■	■	■
	Aluminum	---	■	■	■	■	■
	Wood	■	See note 1 below	---	---	■	■
Options	DS or DS-LC (dual monitor switches)	■	■	■	■	■	■
	EB (entry buzzer - fail-secure only)	■	■	■	■	■	■
	28VDC AC rectifier kit	■	■	■	■	■	■
	16VDC solenoid	■	■	■	■	■	■
Certifications/ Listings	UL 1034	■	■	■	■	■	■
	UL 10C	3 hour	3 hour	3 hour	3 hour	3 hour	3 hour*
Application notes	---	1	---	---	2	3	

\* When pair door has inactive leaf.

### Application notes:

- Includes wood frame for retrofit applications.
- Deadbolt must be manually operated.
- Open back electric strike for use on 1 3/4" (44 mm) thick double door applications. 4 3/4" (120 mm) minimum stile required. For a concealed vertical rod and mortise device combination, specify "A" backbox.



## Model specifications

Model number		6222	6223	6224	6224AL	6225	6226
Retrofits model		FA 310-2 ¾ OB	VD 3091 VD 3092	FA 310-2 ¾	FA 310-2RF	FA 310-2 OB	FA 310-2
Latchbolt throw		¾"	¾"	¾"	¾"	¾"	¾"
Face plate length		9"	6"	9"	9"	9"	9"
Backbox depth		2"	4 ½"	2"	1 ⅝"	1 ⅝"	1 ⅝"
Lockset	Mortise without deadbolt	■	■	■	■	■	■
	Mortise with deadbolt 1" throw	---	---	---	---	---	---
	Cylindrical	■	■	■	■	■	■
Number of doors	Single	---	---	---	---	---	---
	Pair	■	■	■	■	■	■
Door and frame type	Hollow metal	■	■	■	---	■	■
	Aluminum	■	■	■	■	■	■
	Wood	---	■	---	---	---	---
Options	DS or DS-LC (dual monitor switches)	■	■	■	■	■	■
	EB (entry buzzer - fail-secure only)	■	■	■	■	■	■
	28VDC AC rectifier kit	■	■	■	■	■	■
	16VDC solenoid	■	■	■	■	■	■
Certifications/ Listings	UL 1034	■	■	■	■	■	■
	UL 10C	3 hour*	3 hour*	3 hour*	3 hour*	3 hour*	3 hour*
Application notes		1	2	3	4	5	6

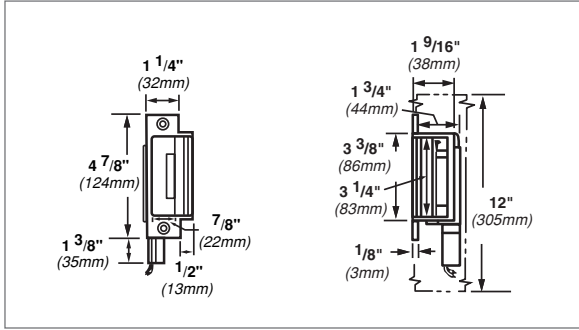
\* When pair door has inactive leaf.

### Application notes:

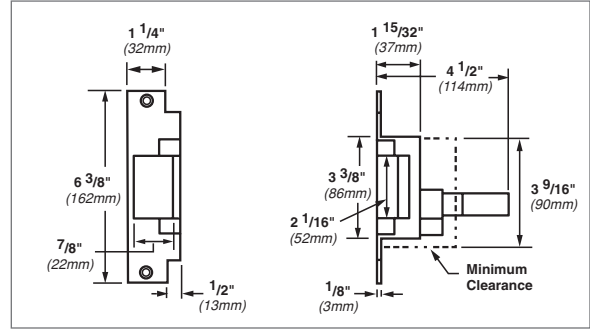
- Open back electric strike for use on 1 ¾" (44 mm) thick double door applications
- Closed back electric strike for use on 1 ¾" (44 mm) thick double door applications. 4 ¾" (120 mm) minimum stile required. For a concealed vertical rod and mortise device combination specify "A" backbox.
- Closed back electric strike for use on 1 ¾" (44 mm) or 2 ¼" (57 mm) thick double door applications.
- Closed back electric strike for use on 1 ¾" (44 mm) or 2 ¼" (57 mm) thick aluminum double door applications.
- Open back electric strike for use on 1 ¾" (44 mm) thick double door applications.
- Closed back electric strike for use on 1 ¾" (44 mm) or 2 ¼" (57 mm) thick double door applications.

# Dimensions

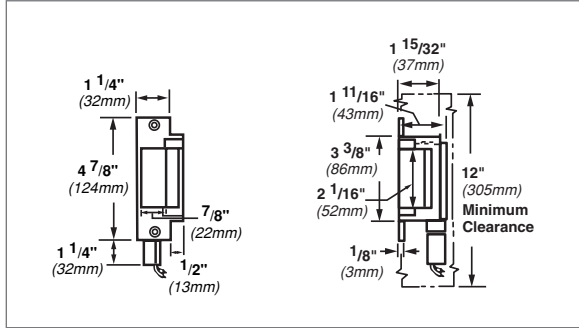
6210



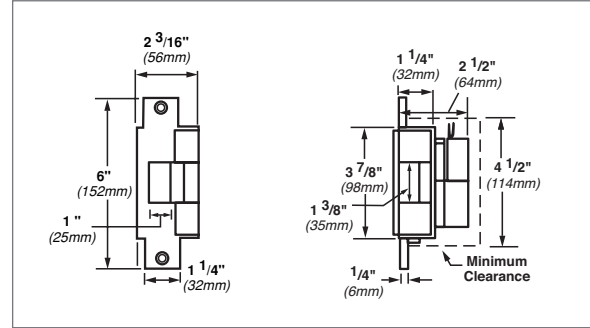
6212WF



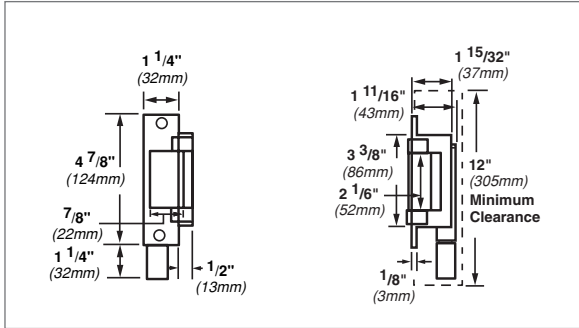
6211



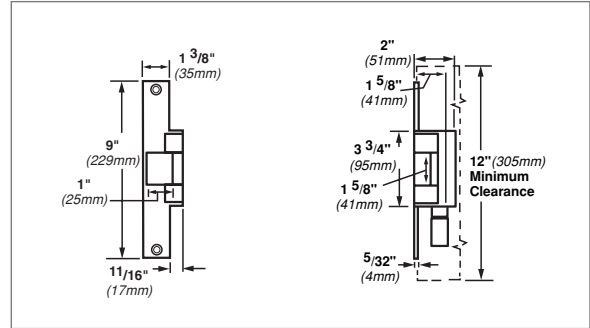
6213



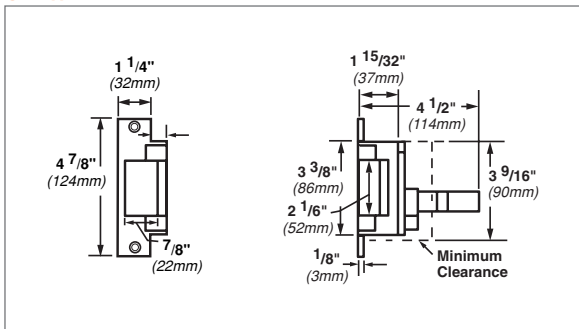
6211AL



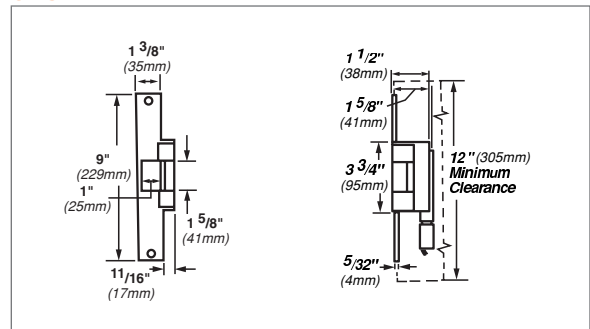
6214



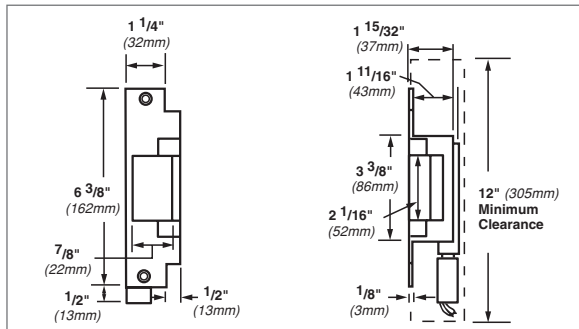
6211WF



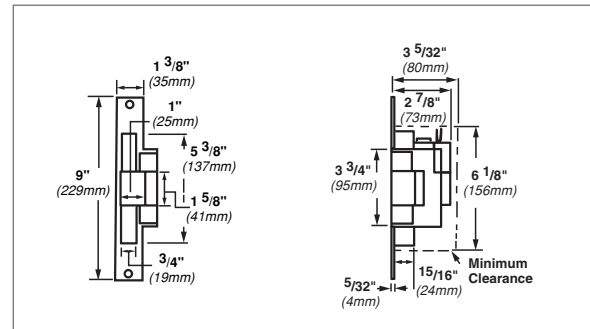
6215



6212

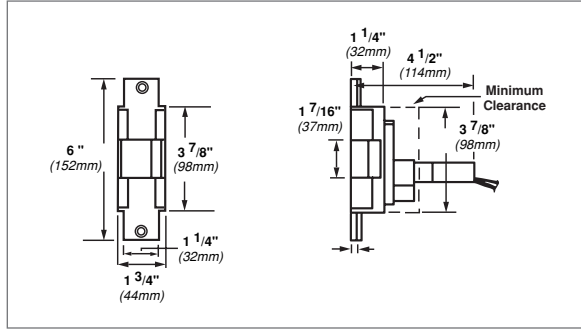


6216

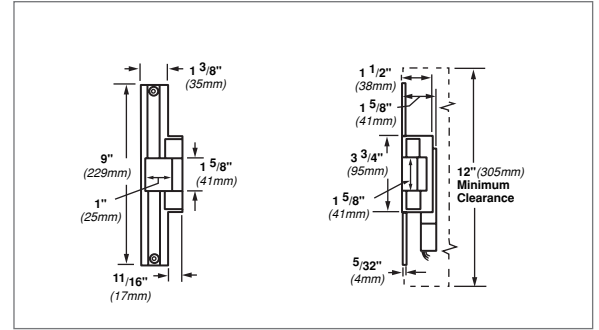


# Dimensions

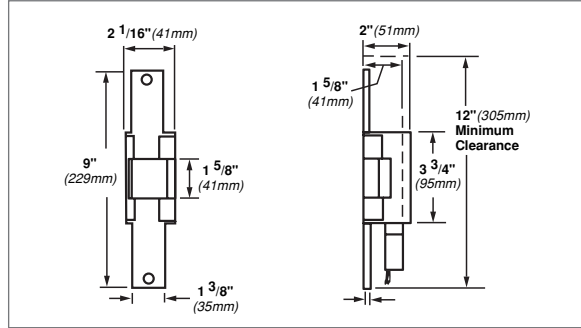
6221



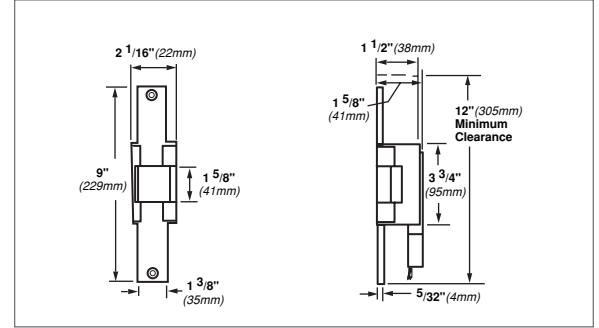
6224AL



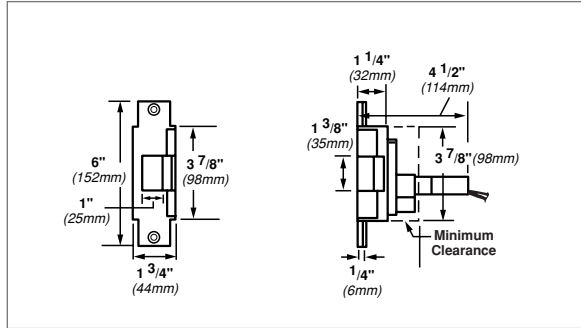
6222



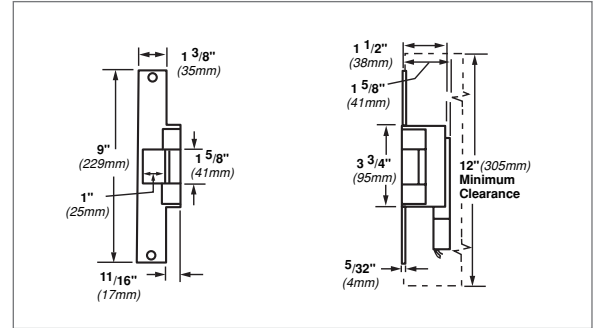
6225



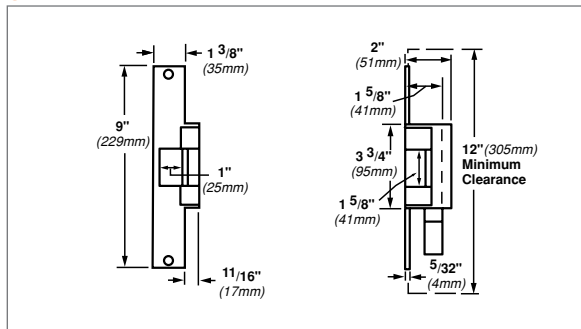
6223



6226



6224



## Ordering information

6210-FSE-DS-24-S024-US3-EB-CON

Model	Power failure mode	Dual switch*	Voltage	Rectifier kit*	Finish	Buzzer*	Allegion Connect*
1	2	3	4	5	6	7	8

\* Optional

Selections correspond with the numbers above

<b>1</b>	<b>Model</b>
Reference specification chart to make the proper model selection	
<b>2</b>	<b>Power failure mode</b>
FSE	Fail-secure. Requires power to be applied to unlock the strike lip. On loss of power, the strike lip is locked. <b>Fire-rated.</b>
FS	Fail-safe. Requires power to be applied to lock the strike lip. On loss of power, the strike lip is unlocked. <b>Non-fire-rated.</b>
<b>3</b>	<b>Dual switch (optional)</b>
DS	Monitors latch bolt and lock status. DS switches rated for 24 VDC at .050 - 2.0 amps.
DS-LC	Low current option for computer monitoring. Monitors latch bolt & lock status. DS-LS switches rated for 24 VDC at .050 amp or less.
<b>4</b>	<b>Voltage (VDC)</b>
24	Low voltage DC power (standard)
12	Low voltage DC power
16	Low voltage DC power (solenoid sold separately)
28	Low voltage DC power (solenoid sold separately)

If AC power is required, specify rectifier kit.

<b>5</b>	<b>Rectifier kit (optional)</b>
S012	Converts 12 VAC voltage to 12 VDC to operate the solenoid
S024	Converts 24 VAC voltage to 24 VDC to operate the solenoid
<b>6</b>	<b>Finish</b>
US3/BHMA 605	Plated polished brass on stainless steel
US4/BHMA 606	Plated dull brass on stainless steel
US10/BHMA 612	Plated dull bronze on stainless steel
US10B/BHMA 613	Plated dark bronze, oil rubbed on stainless steel
US32/BHMA 629	Stainless steel, polished
US32D/BHMA 630	Stainless steel, satin
<b>7</b>	<b>Buzzer (optional)</b>
EB	Entry Buzzer
Only available if Fail-Secure (FSE) is specified.	
<b>8</b>	<b>Allegion Connect</b>
CON	Allegion Connect Connector
6 in. wire extension harness available	

Allegion, the Allegion logo, Schlage, Von Duprin, the Von Duprin logo, and Falcon are trademarks of Allegion plc, its subsidiaries and/or affiliates in the United States and other countries. All other trademarks are the property of their respective owners.

### About Allegion

Allegion (NYSE: ALLE) is a global pioneer in safety and security, with leading brands like CISA®, Interflex®, LCN®, Schlage®, SimonsVoss® and Von Duprin®. Focusing on security around the door and adjacent areas, Allegion produces a range of solutions for homes, businesses, schools and other institutions. Allegion is a \$2 billion company, with products sold in almost 130 countries. For more, visit [www.allegion.com](http://www.allegion.com).

KRYPTONITE ■ LCN ■  ■ STEELCRAFT ■ VON DUPRIN



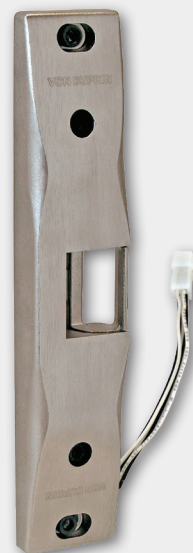
ALLEGION™

© 2019 Allegion  
005368, Rev.12/19  
[www.allegion.com/us](http://www.allegion.com/us)

**VON DUPRIN®**

## 6300 Series

Surface mounted strike  
for rim exit devices



### Overview

Von Duprin electric strikes are known for their reliability, durability and security. The 6300 Series strike is designed to withstand abuse with its heavy-duty stainless steel certification construction is fully UL 1034 and UL 10C listed.

The 6300 Series strike is designed for use with a variety of rim exit devices. As an electrified strike, it allows remote release of a locked door by activating a movable lip (keeper) using an entry/exit button or credential reader and can be a cost effective means for managing access. It is ideal for aftermarket applications and designed to install without modifying or altering the door frame.

Designed for fail-secure (FSE) only mode, the 6300 Series strike achieves compliance with UL10C for 3-hour fire-rated openings. It also enables field-selectable 12 or 24 VDC with AC conversion optional.

To assure the proper selection of an electric strike on new applications, lockset compatibility charts are shown on the next page. When using a lockset not listed or when retrofitting a strike to an existing application, please contact Von Duprin Technical Support for application assistance.

### Features and benefits

- Designed for use with rim exit devices
- Heavy-duty stainless steel construction in BHMA 630 satin finish
- Surface mounted - requires no alteration or cutting to existing frame
- Field selectable voltage 12VDC or 24VDC
- Plug-in voltage connectors included for ease of installation and removal during strike servicing
- Non-handed design provides greater flexibility
- Suitable for interior and exterior doors
- UL 10C 3-hour fire-rated (fail secure only)
- UL 1034 listed for burglary-resistant electric door strikes
- UL 294 listed for access control system
- CSFM California State Fire Marshal listed
- Dynamic strength 70 ft-lbs
- Endurance 2,000,000 cycles



## 6300 Series power requirements

Model	Voltage	Current	Duty	Amps	Ohms
6300	12V	DC	Continuous	0.50	22
6300	24V	DC	Continuous	0.24	89

Continuous duty = Energized 1 minute or more

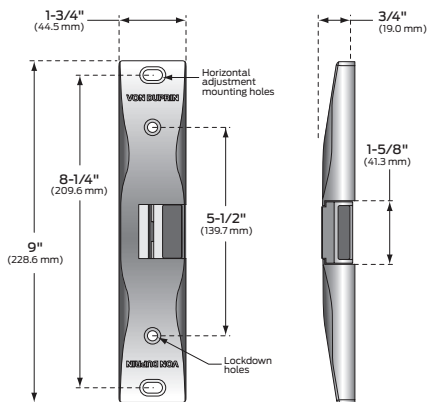
## Rim exit device compatibility 6300 strikes

Manufacturer	Model Number
Von Duprin	VD 22/22-F Rim
Von Duprin	VD 33A/35A Rim*
Von Duprin	VD 55 Rim
Von Duprin	VD 88 Rim
Von Duprin	VD 98/99 and 98/99-F Rim
Falcon	Falcon 24/24-F Rim*
Falcon	Falcon 25/25-F Rim
Falcon	Falcon 19/19-F Rim
Falcon Doromatic	Falcon Doromatic 1590*
Falcon Doromatic	Falcon Doromatic 1790*
Falcon Doromatic	Falcon Doromatic 2090*

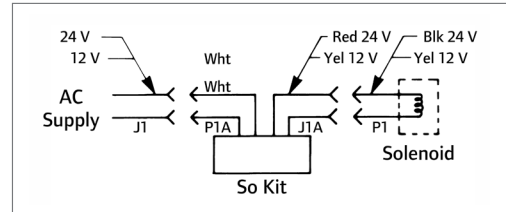
\*Stile and frame condition may affect compatibility.

## Model specifications

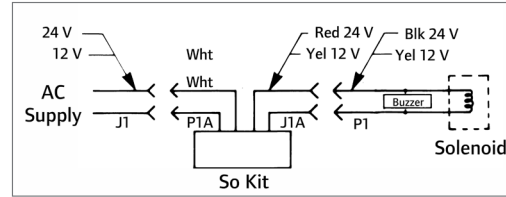
Model number	6300
Retrofits model	N/A
Latchbolt throw	3/4"
Face plate length	9"
Projection	3/4"
Lockset	Rim exit device
Number of doors	Single or pair with mullion
Door/frame type	Hollow metal, aluminum and wood
EB (entry buzzer)	Optional
Certifications/ listings	UL 1034, UL 10C, UL 294, CSFM
Application notes	Surface mounted electric strike ideal for aftermarket applications. Strike designed for use with Von Duprin 98/99, however it can be used with most rim exit devices.



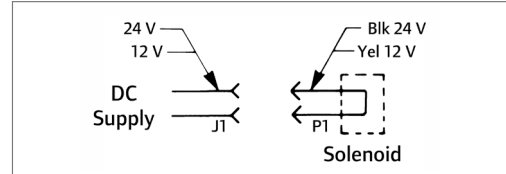
## AC



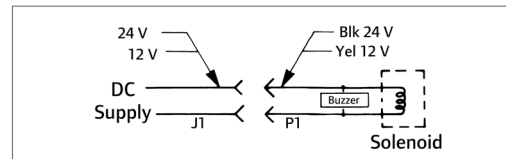
## AC with buzzer



## DC



## DC with Buzzer



## Ordering information

6300-S024-EB

Model	Rectifier kit*	Buzzer*
1	2	3

\* Optional

Selections correspond with the numbers above

1	Model
6300	Surface mounted strike for rim exit devices
2	Rectifier kits (optional)
S012	Converts 12 VAC voltage to 12 VDC to operate the solenoid
S024	Converts 24 VAC voltage to 24 VDC to operate the solenoid
3	Buzzer (optional)
EB	Entry Buzzer

## Standard features

- Power failure mode: Fail-secure only (FSE)
- Voltage: field selectable 24 VDC or 12 VDC
- Finish: stainless steel, satin (BHMA 630/US32D)

## About Allegion

Allegion (NYSE: ALLE) is a global pioneer in safety and security, with leading brands like CISA®, Interflex®, LCN®, Schlage®, SimonsVoss® and Von Duprin®. Focusing on security around the door and adjacent areas, Allegion produces a range of solutions for homes, businesses, schools and other institutions. Allegion is a \$2 billion company, with products sold in almost 130 countries. For more, visit [www.allegion.com](http://www.allegion.com).



VON DUPRIN®

## 6400 Series

Modular strike for mortise and cylindrical locksets



### Overview

The 6400 electric door strike from Von Duprin is designed to be modular and highly configurable to fit nearly any mortise or cylindrical lock. This versatile strike allows the installer to insert and lock-in the deadbolt keeper or plug and deadlatch ramp anywhere within its  $3\frac{1}{8}$ " vertical opening to fit the latch position and functional needs. This, combined with a  $\frac{1}{8}$ " horizontal adjustment, makes this easy-to-install design a good fit for installations where misalignment or a tight fit may be a problem.

As a 3-hour UL 10C listed strike, the 6400 Series is intended as a fail-secure only solution for fire-rated openings. Its durability and quality are shown by its grade 1 certification as a heavy-duty stainless steel strike with over 2,000,000 endurance cycles.

Use it as a time-saving, "go to" strike. The 6400 comes ready for use with prewired plug-in connectors for 12 or 24 VDC voltage that can be changed over to 12 or 24 VAC without a converter kit, two faceplates – one each for offset and centerline locks as well as a trim filler plate, mounting tabs and shims and a self-adhesive template for frame cuts. An optional "plug in" latchbolt monitor is also available and can be added in the field at any time after installation.

### Features and benefits

- Modular design fits cylindrical and nearly any mortise lock
- Heavy-duty stainless steel construction in BHMA 630 satin finish
- Vertical adjustments allow for alignment with a wide variety of mortise locks with offset latches
- Horizontal adjustment of up to  $\frac{1}{8}$ " improves fit on tight door preps
- Can accommodate up to 1" deadbolt (for night latch only)
- Field selectable voltage 12 or 24VDC and 12 to 24VAC
- Plug-in voltage connectors are included for ease of installation and removal during strike servicing
- Optional plug-in latchbolt monitor can be added in the field
- Non-handed, unique internal solenoid design prevents keeper from heating up
- Low current draw (0.19 amps @ 24 VDC)
- Suitable for interior and exterior doors
- 3-hour fire-rated to UL 10C (fail secure only)
- UL 1034 listed for burglary-resistant electric door strikes
- UL 294 listed for access control system
- CSFM California State Fire Marshal listed
- ANSI/BHMA A156.31, Grade 1 certified
- Static strength: 1500 lbs
- Dynamic strength 70 ft-lbs
- Endurance 2,000,000 cycles

## Lockset compatibility

Vertical adjustment of the deadbolt keeper or deadlatch ramp allows for alignment with a wide variety of mortise locks with offset latches. Accommodates up to 1" deadbolt\* Up to 1/8" horizontal adjustment for misaligned frames.

\* Night-latch function only, bolt will not release

## Wiring Instructions

Use the appropriate wire harness supplied.

- 12V for 12VDC & 12-24VAC
- 24 for 24VDC only

Attach the red wire to (+) positive of the power supply. Attach the black wire to the (-) negative of the power supply. If using AC power, polarity is not observed.

Note: If a suppression diode is required for access control, observe proper polarity.

### Latch monitor wires

- Black = Common (C)
- Blue = Normal Close (NC)
- Orange = Normal Open (NO)

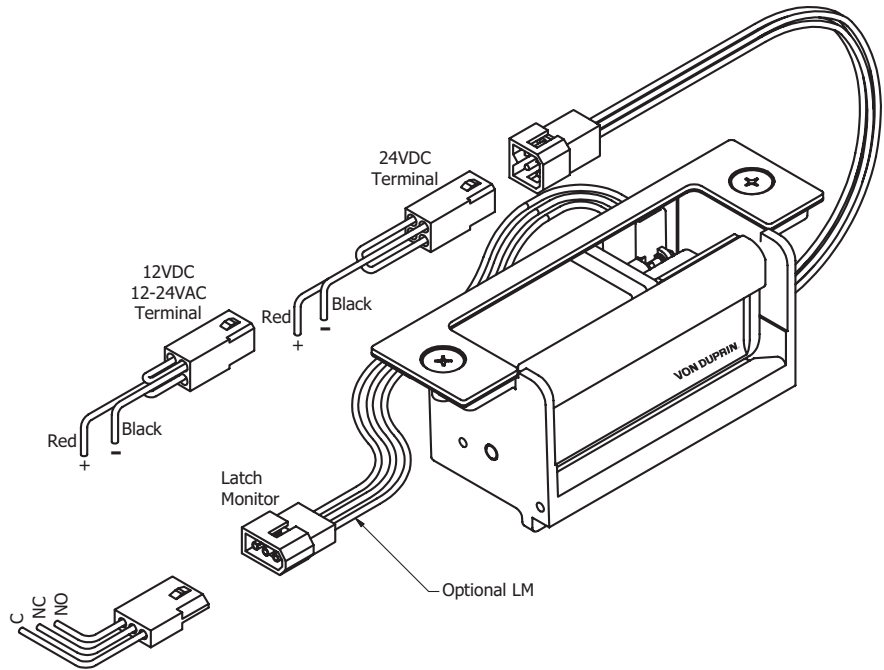
## 6400 Series power requirements

Model	Mode	Voltage	Duty	Sound	Amps <sup>1</sup>	Ohms <sup>2</sup>
6400	Fail-locked	12 VDC	Continuous	Silent	.375	37
6400	Fail-locked	24 VDC	Continuous	Silent	.190	148
6400	Fail-locked	12-24 VAC	Intermittent	Buzz	.280 - .565	37

Intermittent duty = Energized less than 1 min. with duty ratio 1:5; Continuous duty = Energized 1 min. or more.

<sup>1</sup> Ratings are based on maximum current draw at +10°C and include initial power-up current draw.

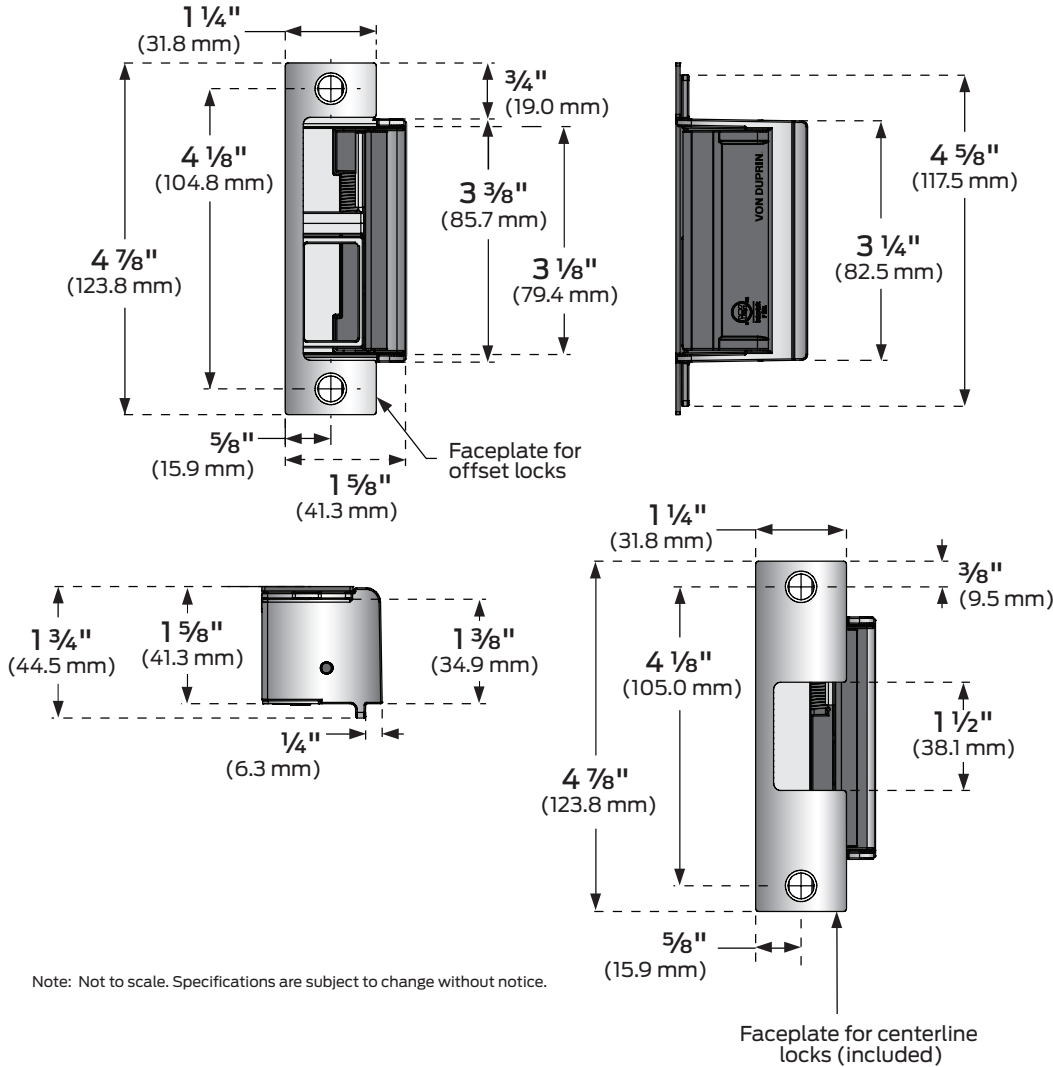
<sup>2</sup> Nominal resistance at +25°C +/- 7% tolerance.



## Model specifications

Model number	6400
Latchbolt throw	3/4" (Also accomodates 1" deadbolt as a nightlatch only - no release)
Face plate length	4 7/8" (Includes two face plates: Centerline and Off-set latch entries)
Backbox depth	1 3/4"
Finish	US 32D/BHMA 630
Lockset	Cylindrical, mortise, mortise exit
Number of doors	Single
Door/frame type	Hollow metal, aluminum & wood
Options	2 Rectifier kits: <ul style="list-style-type: none"> <li>▪ S012 Converts 12 VAC voltage to 12 VDC to operate the solenoid</li> <li>▪ S024 Converts 24 VAC voltage to 24 VDC to operate the solenoid</li> </ul> EB (Entry Buzzer)
Certifications/ Listings	ANSI/BHMA A156.31 Grade 1, 3-hour fire rated to UL 10C (FSE only), UL 1034, UL 294, CSFM
Application notes	Modular electric strike ideal for aftermarket applications. Fail-secure only for fire-rated openings.

# Dimensions



Note: Not to scale. Specifications are subject to change without notice.

# Ordering information

6400-S024-EB

Model	Rectifier kit*	Buzzer*
1	2	3

\* Optional

Selections correspond with the numbers above

1	<b>Model</b>
6400	Modular Strike
2	<b>Rectifier kit (optional)</b>
	S012 Converts 12 VAC voltage to 12 VDC to operate the solenoid
	S024 Converts 24 VAC voltage to 24 VDC to operate the solenoid
3	<b>Buzzer (optional)</b>
EB	Entry buzzer

## Accessories

- LM6400 Latchbolt monitor - indicates when door is latched (ships separately)

## Standard features

- Power failure mode: Fail-secure only (FSE)
- Voltage: Field selectable 12 or 24 VDC and 12 or 24 VAC voltage
- Finish: Stainless steel, satin (BHMA 630/US 32D)
- Centerline and offset face plates included
- Also includes: two plug-in voltage connectors, self-adhesive template for frame cuts, trim filler plate, mounting tabs and shims, as well as tamper-resistant screws with a security driver bit

This page intentionally left blank.

Allegion, the Allegion logo, Von Duprin and the Von Duprin logo are trademarks of Allegion plc, its subsidiaries and/or affiliates in the United States and other countries. All other trademarks are the property of their respective owners.

## About Allegion

Allegion (NYSE: ALLE) is a global pioneer in safety and security, with leading brands like CISA®, Interflex®, LCN®, Schlage®, SimonsVoss® and Von Duprin®. Focusing on security around the door and adjacent areas, Allegion produces a range of solutions for homes, businesses, schools and other institutions. Allegion is a \$2 billion company, with products sold in almost 130 countries. For more, visit [www.allegion.com](http://www.allegion.com).

KRYPTONITE ■ LCN ■  ■ STEELCRAFT ■ VON DUPRIN

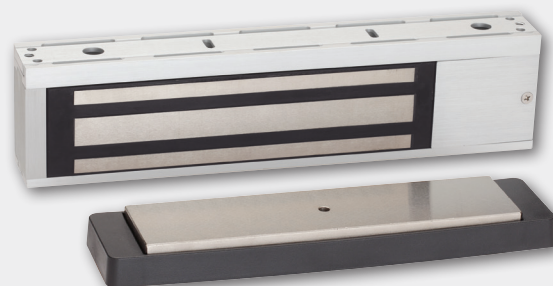


© 2019 Allegion  
009011, Rev. 12/19  
[www.allegion.com/us](http://www.allegion.com/us)



# M490/492

## Electromagnetic locks



### Overview

M400 Series electromagnetic locks from Schlage are designed with the customer in mind to be robust, easy-to-install, and secure. The unique bayonet mounting feature makes installation easier, allowing the installer to have their hands free during the mounting process.

All M400 Series electromagnetic locks are symmetrical with field-selectable handing, allowing optimum placement of the magnet no matter the application. They are designed to provide automatic voltage sensing for 12 and 24 volts along with polarity protection to make wiring less complex. M490 models are tested and certified to meet or exceed UL 1034 and BHMA 1500 lb hold force requirements.

The M490 electromagnetic locks come in four configurations to meet your specific security needs. Single and double door models are offered in standard configurations. Plus versions of these models with "P" designations add intelligent sensing and reporting features needed to integrate with access control systems along with additional available options. Kits are also available for top jamb, double door, and glass door applications.

### Features and benefits

- 1500 lb. hold force rating for maximum security applications
- "Plus" models offer magnetic bond sensor (MBS), adjustable relock time delay (RTD) and door position switch (DPS)
- Automatic voltage selection (AVS)
- Symmetrical design with field-selectable handing for optimum placement
- Bayonet mount simplifies installation by eliminating the need to hold lock overhead while securing
- Armature mount pivot feature compensates for slight opening imperfections
- Optional mounting kits available for top jamb mount, double door and HERCULITE® brand glass doors
- Aluminum housing in 628 satin finish
- ANSI/BHMA 156.23 Grade 1, UL 1034, UL 10C, UL 294, cUL, CFMSM certifications
- Limited lifetime warranty on magnetic coil assembly

## Additional features

### All models

- Automatic Voltage Selection (AVS) senses the voltage applied to the lock and responds accordingly

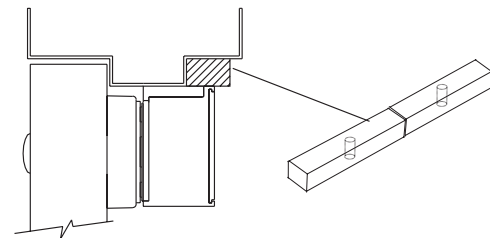
### M490P/M492P

- Magnetic Bond Sensor (MBS) monitors the strength of the bond between the lock and armature so you know the door is secure
- Door Position Switch (DPS) monitors whether the door is open or closed
- Relock Time Delay (RTD) provides a relock delay that is adjustable from 0.5 to 30 seconds
- Optional accessories (P models only)
  - ATS/LED Combines anti-tamper switch (ATS) with magnetic bond sensor in one kit.
    - ATS provides an indication that the cover of the magnet is securely fastened to the lock and that the on board circuitry is secure
    - Magnetic bond sensor indicator (LED) provides visual indication of magnetic bond at the lock

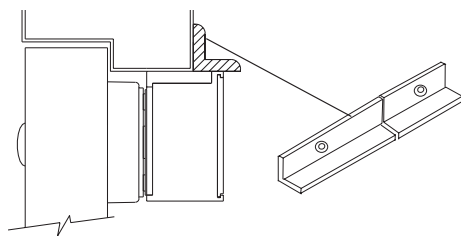
### Optional accessories (for all)

- Glass door bracket kit designed for use with Herculite® brand glass door.
- Top jamb (inswinging doors) kit
- Double door connector kit (converts two single magnetic locks to a double)

### Filler Plate



### Angle Bracket



Allegion, the Allegion logo, Schlage, and the Schlage logo are trademarks of Allegion plc, its subsidiaries and/or affiliates in the United States and other countries. Herculite® is a registered trademark of Vitro, S.A.B. de C.V., and is not affiliated with Allegion or any of its subsidiaries.

## M490/M492 electromagnetic lock specifications

Specification	M490/M490P	M492/M492P
Holding force	Meets or exceeds BHMA standard of 1500 lbs	Meets or exceeds BHMA standard of 1500 lbs
Door type	Single	Double
Input voltage (auto selected)	12/24 VDC	12/24 VDC
Current draw	.65A @ 12 VDC .35A @ 24 VDC	1.3A @ 12 VDC .7A @ 24 VDC
Height	3"	3"
Length	12 1/2"	25 1/16"
Depth	1 3/4"	1 3/4"
Weight (approximate)	14 lbs	28 lbs
Certifications	UL 10C, UL 1034, UL 294, ANSI/BHMA A156.23, cUL, CSFM	UL 10C, UL 1034, UL 294, ANSI/BHMA A156.23, cUL, CSFM
Temperature	0° to 49°C (32° to 120° F)	0° to 49°C (32° to 120° F)
Wire gauge	14-22 AWG	14-22 AWG

## Filler plates and angle brackets specifications

Length	12 1/2"
--------	---------

### Filler plates

Width x Height	Plate no.
1 1/4" x 1/8"	4901F
1 1/4" x 1/4"	4902F
1 1/4" x 3/8"	4903F
1 1/4" x 1/2"	4904F
1 1/4" x 5/8"	4905F
3/4" x 1/2"	4906F
3/4" x 5/8"	4907F
3/4" x 3/4"	4908F

### Angle brackets

Width x Height	Bracket no.
1" x 1"	4901A
1 1/2" x 1"	4902A
1 1/2" x 1 1/2"	4903A
1 1/2" x 2"	4904A
1 1/2" x 2 1/2"	4905A

## About Allegion

Allegion (NYSE: ALLE) is a global pioneer in safety and security, with leading brands like CISA®, Interflex®, LCN®, Schlage®, SimonsVoss® and Von Duprin®. Focusing on security around the door and adjacent areas, Allegion produces a range of solutions for homes, businesses, schools and other institutions. Allegion is a \$2 billion company, with products sold in almost 130 countries. For more, visit [www.allegion.com](http://www.allegion.com).

KRYPTONITE ■ LCN ■  ■ STEELCRAFT ■ VON DUPRIN



© 2019 Allegion  
004204, Rev. 12/19  
[www.allegion.com/us](http://www.allegion.com/us)



# M450/452

## Electromagnetic locks



### Overview

M400 Series electromagnetic locks from Schlage are designed with the customer in mind to be robust, easy-to-install, and secure. The unique bayonet mounting feature makes installation easier, allowing the installer to have their hands free during the mounting process.

All M400 Series electromagnetic locks are symmetrical with field-selectable handing, allowing optimum placement of the magnet, no matter the application. They are designed to provide automatic voltage sensing for 12 and 24 volts along with polarity protection to make wiring less complex. M450 models are tested and certified to meet or exceed UL 1034 and BHMA 1000 lb hold force requirements.

The M450 electromagnetic locks come in four configurations to meet your specific security needs. Single and double door models are offered in standard configurations. Plus versions of these models with “P” designations add intelligent sensing and reporting features needed to integrate with access control systems along with additional available options. Kits are also available for top jamb, double door, and glass door applications.

### Features and benefits

- 1000 lb. hold force rating for high security applications
- “Plus” models offer magnetic bond sensor (MBS), adjustable relock time delay (RTD) and door position switch (DPS)
- Automatic voltage selection (AVS)
- Symmetrical design with field-selectable handing for optimum placement
- Bayonet mount simplifies installation by eliminating the need to hold lock overhead while securing
- Armature mount pivot feature compensates for slight opening imperfections
- Optional mounting kits available for top jamb mount, double door and HERCULITE® brand glass doors
- Aluminum housing in 628 satin finish
- ANSI/BHMA 156.23 Grade 1, UL 1034, UL 10C, UL 294, cUL, CFMS certifications
- Limited lifetime warranty on magnetic coil assembly



## Additional features

### All models

- Automatic Voltage Selection (AVS) senses the voltage applied to the lock and responds accordingly

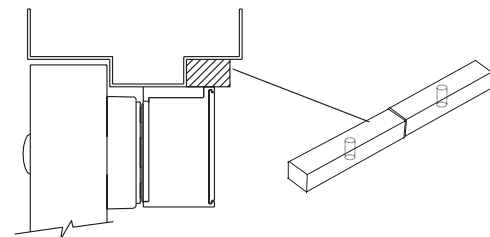
### M450P/M452P

- Magnetic Bond Sensor (MBS)** monitors the strength of the bond between the lock and armature so you know the door is secure
- Door Position Switch (DPS)** monitors whether the door is open or closed
- Relock Time Delay (RTD)** provides a relock delay that is adjustable from 0.5 to 30 seconds
- Optional accessories (P models only)**  
ATS/LED Combines anti-tamper switch (ATS) with magnetic bond sensor in one kit.
  - ATS provides an indication that the cover of the magnet is securely fastened to the lock and that the on board circuitry is secure
  - Magnetic bond sensor indicator (LED) provides visual indication of magnetic bond at the lock

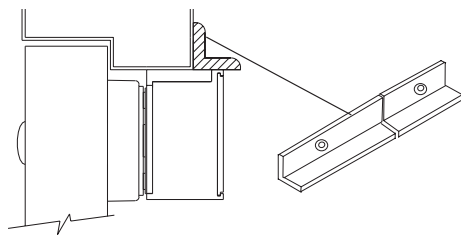
### Optional accessories (for all)

- Glass door bracket kit designed for use with HERCULITE® brand glass doors
- Top jamb (inswinging doors) kit
- Double door connector kit (converts two single magnetic locks to a double)

### Filler Plate



### Angle Bracket



Allegion, the Allegion logo, Schlage, and the Schlage logo are trademarks of Allegion plc, its subsidiaries and/or affiliates in the United States and other countries. Herculite® is a registered trademark of Vitro, S.A.B. de C.V., and is not affiliated with Allegion or any of its subsidiaries.

## About Allegion

Allegion (NYSE: ALLE) is a global pioneer in safety and security, with leading brands like CISA®, Interflex®, LCN®, Schlage®, SimonsVoss® and Von Duprin®. Focusing on security around the door and adjacent areas, Allegion produces a range of solutions for homes, businesses, schools and other institutions. Allegion is a \$2 billion company, with products sold in almost 130 countries. For more, visit [www.allegion.com](http://www.allegion.com).

KRYPTONITE ■ LCN ■  ■ STEELCRAFT ■ VON DUPRIN

## M450/M452 electromagnetic lock specifications

Specification	M450/M450P	M452/M452P
Holding force	meets or exceeds BHMA standard of 1000 lbs	1000 lbs per door leaf
Door type	Single	Double
Input voltage (auto selected)	12/24 VDC	12/24 VDC
Current draw	.75A @ 12 VDC .38A @ 24 VDC	1.5A @ 12 VDC .75A @ 24 VDC
Height	3"	3"
Length	10 1/4"	20 9/16"
Depth	1 3/4"	1 3/4"
Weight (approximate)	10 lbs	20 lbs
Certifications	UL 1034, UL 10C, UL 294, ANSI/BHMA156.23, cUL, CSFM	UL 1034, UL 10C, UL 294, ANSI/BHMA156.23, cUL, CSFM
Temperature	0° to 49°C (32° to 120° F)	0° to 49°C (32° to 120° F)
Wire gauge	14-22 AWG	14-22 AWG

## Filler plates and angle brackets specifications

Length	10 1/4"
--------	---------

### Filler plates (order 2 if purchasing a double lock)

Width x Height	Plate no.
1 1/4" x 1/8"	4501F
1 1/4" x 1/4"	4502F
1 1/4" x 3/8"	4503F
1 1/4" x 1/2"	4504F
1 1/4" x 5/8"	4505F
3/4" x 1/2"	4506F
3/4" x 5/8"	4507F
3/4" x 3/4"	4508F

### Angle brackets (order 2 if purchasing a double lock)

Width x Height	Bracket no.
1" x 1"	4501A
1 1/2" x 1"	4502A
1 1/2" x 1 1/2"	4503A
1 1/2" x 2"	4504A
1 1/2" x 2 1/2"	4505A



© 2019 Allegion  
004205, Rev. 12/19  
[www.allegion.com/us](http://www.allegion.com/us)

**SCHLAGE**

# M420/422

Electromagnetic locks



## Overview

M400 Series electromagnetic locks from Schlage are designed with the customer in mind to be robust, easy-to-install, and secure. The unique bayonet mounting feature makes installation easier, allowing the installer to have their hands free during the mounting process.

All M400 Series electromagnetic locks are symmetrical with field-selectable handing, allowing optimum placement of the magnet, no matter the application. They are designed to provide automatic voltage sensing for 12 and 24 volts along with polarity protection to make wiring less complex. M420 models are tested and certified to meet or exceed UL 1034 and BHMA 500 lb hold force requirements.

The M420 electromagnetic locks come in four configurations to meet your specific security needs. Single and double door models are offered in standard configurations. Plus versions of these models with "P" designations add intelligent sensing and reporting features needed to integrate with access control systems along with additional available options. Kits are available for top jamb, double door, and glass door applications.

## Features and benefits

- 500 lb. hold force rating for traffic control applications
- "Plus" models offer magnetic bond sensor (MBS), adjustable relock time delay (RTD) and door position switch (DPS)
- Automatic voltage selection (AVS)
- Symmetrical design with field-selectable handing for optimum placement
- Bayonet mount simplifies installation by eliminating the need to hold lock overhead while securing
- Armature mount pivot feature compensates for slight opening imperfections
- Optional mounting kits available for top jamb mount, double door and HERCULITE® brand glass doors
- Aluminum housing in 628 satin finish
- ANSI/BHMA 156.23 Grade 1, UL 1034, UL 10C, UL 294, cUL, CFMSM certifications
- Limited lifetime warranty on magnetic coil assembly

## Additional features

### All models

- Automatic Voltage Selection (AVS) senses the voltage applied to the lock and responds accordingly

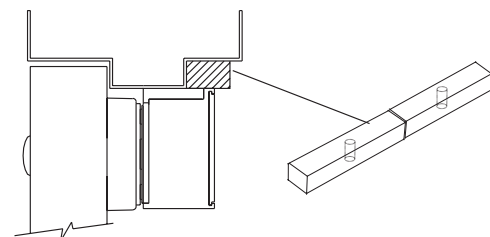
### M420P/M422P

- Magnetic Bond Sensor (MBS) monitors the strength of the bond between the lock and armature so you know the door is secure
- Door Position Switch (DPS) monitors whether the door is open or closed
- Relock Time Delay (RTD) provides a relock delay that is adjustable from 0.5 to 30 seconds
- Optional accessories (P models only)
  - ATS/LED Combines anti-tamper switch (ATS) with magnetic bond sensor in one kit.
    - ATS provides an indication that the cover of the magnet is securely fastened to the lock and that the on board circuitry is secure
    - Magnetic bond sensor indicator (LED) provides visual indication of magnetic bond at the lock

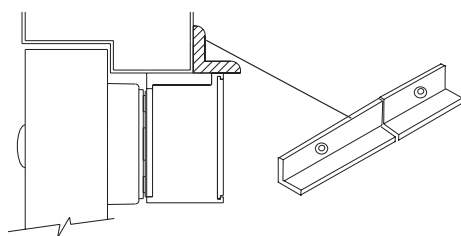
### Optional accessories (for all)

- Glass door bracket kit designed for use with HERCULITE® brand glass doors
- Top jamb (inswinging doors) kit
- Double door connector kit (converts two single magnetic locks to a double)

### Filler Plate



### Angle Bracket



Allegion, the Allegion logo, Schlage, and the Schlage logo are trademarks of Allegion plc, its subsidiaries and/or affiliates in the United States and other countries. Herculite® is a registered trademark of Vitro, S.A.B. de C.V., and is not affiliated with Allegion or any of its subsidiaries.

## M420/M422 electromagnetic lock specifications

Specification	M420/M420P	M422/M422P
Holding force	meets or exceeds BHMA standard of 500 lbs	meets or exceeds BHMA standard of 500 lbs
Input voltage (auto selected)	12/24 VDC	12/24 VDC
Current draw (amps standard unit)	.75A @ 12 VDC .38A @ 24 VDC	1.5A @ 12 VDC .76A @ 24 VDC
Automatic dual voltage	12/24 VDC	12/24 VDC
Height	2 1/2"	2 1/2"
Length	9"	18 1/16"
Depth	1 3/8"	1 3/8"
Weight (approximate)	6 lbs	12 lbs
Certifications	UL 1034, UL 10C, UL 294, ANSI/BHMA156.23, cUL, CSFM	UL 1034, UL 10C, UL 294, ANSI/BHMA156.23, cUL, CSFM
Temperature	0° to 49°C (32° to 120° F)	0° to 49°C (32° to 120° F)
Wire gauge	14-22 AWG	14-22 AWG

## Filler plates and angle brackets specifications

Length	9"
--------	----

### Filler plates

Width x Height	Plate no.
1 1/4" x 1/8"	4201F
1 1/4" x 1/4"	4202F
1 1/4" x 3/8"	4203F
1 1/4" x 1/2"	4204F
1 1/4" x 5/8"	4205F
3/4" x 1/2"	4206F
3/4" x 5/8"	4207F
3/4" x 3/4"	4208F

### Angle brackets

Width x Height	Bracket no.
1" x 1"	4201A
1 1/2" x 1"	4202A
1 1/2" x 1 1/2"	4203A
1 1/2" x 2"	4204A
1 1/2" x 2 1/2"	4205A

## About Allegion

Allegion (NYSE: ALLE) is a global pioneer in safety and security, with leading brands like CISA®, Interflex®, LCN®, Schlage®, SimonsVoss® and Von Duprin®. Focusing on security around the door and adjacent areas, Allegion produces a range of solutions for homes, businesses, schools and other institutions. Allegion is a \$2 billion company, with products sold in almost 130 countries. For more, visit [www.allegion.com](http://www.allegion.com).



# M490G

Electromagnetic gate lock



## Overview

The Schlage M490G is a weather resistant electromagnetic gate lock with 1500 lbs of holding force designed for use on all types of sliding and swinging gates. As a high security magnetic lock, it can accommodate misalignment problems while supplying superior holding force.

A 1/2" compression connector is provided for installation of 1/2" EMT conduit, ensuring protection of hook-up wiring from weather and vandalism. Heavy-duty plating resists corrosion of mating surfaces, providing a low maintenance locking device.

A modified top jamb mounting bracket allows a single M490G to be mounted in a variety of positions. The M490G gate lock may be mounted to any gate frame or post. Special brackets may be required to adapt the lock to a particular frame or post. It is important that the lock is mounted so that the armature pulls straight back from the magnet face.

The M490G can be field configured for either 12 or 24 VDC operation. Magnetic Bond Sensor (MBS) and Gate Status Monitor (DPS) are standard.

## Features and benefits

- 1500 lb. hold force rating
- Magnetic bond sensor (MBS) and gate status monitor (DPS)
- Field selectable 12 or 24VDC operation
- Built-in voltage spike suppressor
- Electroless nickel plated finish
- Corrosion and weather resistant for exterior use
- Universal mounting brackets for swinging or sliding gate applications
- 1/2" EMT compression fitting protects hookup wires from weather and vandalism
- Two foot wire leads
- Accommodates gate misalignment
- No moving parts - low maintenance
- Limited lifetime warranty on magnetic coil assembly
- ANSI/BHMA 156.23 Outdoor rated

## Standard features

### M490G

- Magnetic Bond Sensor (MBS) monitors the strength of the bond between the lock and armature so you know the door is secure
- Door Position Switch (DPS) monitors whether the door is open or closed
- Universal Mounting Brackets for swinging or sliding gate applications
- Built-in voltage spike suppression
- 1/2" EMT compression fitting
- Special corrosion resistant plating

## M490G electromagnetic gate lock specifications

Specifications	M490G
Holding force	Meets or exceeds BHMA standard of 1500 lbs
Input voltage (field selectable)	12/24 VDC
Current draw (amps standard unit)	.65A @ 12 VDC .35A @ 24 VDC
Height	3"
Length	11"
Depth	1 3/4"
Weight (approximate)	14 lbs
Certifications	ANSI/BHMA 156.23 Outdoor rated
Temperature	-31° to 151° F (-35° to 66° C)
Wire gauge	14-22 AWG

## Filler plates

Length	11"
Width x Height	Plate no.
1 1/4" x 1/8"	49G1F
1 1/4" x 1/4"	49G2F
1 1/4" x 3/8"	49G3F
1 1/4" x 1/2"	49G4F
1 1/4" x 5/8"	49G5F
3/4" x 1/2"	49G6F
3/4" x 5/8"	49G7F
3/4" x 3/4"	49G8F

## Angle brackets

Length	11"
Width x Height	Bracket no.
1" x 1"	49G1A
1 1/2" x 1"	49G2A
1 1/2" x 1 1/2"	49G3A
1 1/2" x 2"	49G4A
1 1/2" x 2 1/2"	49G5A

Allegion, the Allegion logo, Schlage, and the Schlage logo are trademarks of Allegion plc, its subsidiaries and/or affiliates in the United States and other countries. All other trademarks are the property of their respective owners.

## About Allegion

Allegion (NYSE: ALLE) is a global pioneer in safety and security, with leading brands like CISA®, Interflex®, LCN®, Schlage®, SimonsVoss® and Von Duprin®. Focusing on security around the door and adjacent areas, Allegion produces a range of solutions for homes, businesses, schools and other institutions. Allegion is a \$2 billion company, with products sold in almost 130 countries. For more, visit [www.allegion.com](http://www.allegion.com).

KRYPTONITE ■ LCN ■  ■ STEELCRAFT ■ VON DUPRIN



© 2020 Allegion  
004158, Rev. 09/20  
[www.allegion.com/us](http://www.allegion.com/us)

**SCHLAGE**

## M490DE

Delayed egress  
electromagnetic lock



### Overview

The Schlage M490DE delayed egress electromagnetic lock is designed to meet NFPA 101 Life Safety Code while providing the same robust, easy-to-install, security of our M400 Series magnetic locks. The M490DE has a 15-second delayed egress timer with audible alarm which can be configured to trigger by an internal “plunger switch,” or by external contacts, such as a request-to-exit push bar.

All M400 Series electromagnetic locks are symmetrical with field-selectable handing, allowing optimum placement of the magnet no matter the application. They are designed to provide automatic voltage sensing for 12 and 24 volts along with polarity protection to make wiring less complex.

M490DE electromagnetic locks come in four configurations to meet your specific security needs. Single and double door models are offered in standard configurations. Plus versions of these models with “P” designations add intelligent sensing and reporting features needed to integrate with access control systems.

This easy-to-install, cost effective solution provides maximum access security and safety.

### Features and benefits

- 1300 lb. hold force rating for maximum security applications
- 15 second delay - activated by internal plunger switch or auxiliary input
- LED Indication with audible alerts
- Release input, reset input, fire alarm input
- Plus models offer magnetic bond sensor (MBS), adjustable relock time delay (RTD) and door position switch (DPS)
- Automatic voltage selection (AVS)
- Bayonet mount simplifies installation by eliminating the need to hold lock overhead while securing
- Armature pivot feature compensates for slight opening imperfections
- Aluminum housing in 628 satin finish
- ANSI/BHMA 156.24, UL special locking arrangements, UL 10C, cUL, CSFM, UL294 certifications
- Meets NFPA 101 life safety code
- BOCA compliant option available
- Limited lifetime warranty on magnetic coil assembly

## Standard features

### ALL MODELS

- Auto Voltage Selection (AVS) senses the voltage applied to lock and responds accordingly
- Internal plunger switch activates delayed egress timer

### Optional accessories

- Designed for use with HERCULITE® brand glass doors

### M490DEP/M490DEP-2

- Magnetic Bond Sensor (MBS) monitors the strength of the bond between the lock and armature so you know the door is secure
- Door Position Switch (DPS) monitors whether the door is open or closed
- BOCA compliant (upon request) with options for 15- or 30-second time delay

## Ordering information

### STANDARD MODELS

- M490DE** - Single lock, 15-second delay
- M490DE-2** - Double lock, separate housing, 15-second delay

### Optional preset

- M490DE-30S** - Single lock, factory set 30-second delay (requires fire marshal letter of approval)

### PLUS MODELS

- M490DEP** - Single lock, 15-second delay
- M490DEP-2** - Double lock, 15-second delay
- M490DEP-BC** - BOCA compliant single lock, factory set 15-second delay with auto re-armed and locked state after door is opened and re-closes
- M490DEP-BC30S** - BOCA compliant single lock, factory set 30-second delay with auto re-armed and locked state after door is opened and re-closes (requires fire marshal letter of approval)

## M490DE electromagnetic delayed egress lock specifications

Specification	M490DE/M490DEP	M490DE-2/M490DEP-2
Holding force	1300 lbs	1300 lbs per door leaf
Input voltage (auto selected)	12/24 VDC	12/24 VDC
Current draw	.75A @ 12 VDC .45A @ 24 VDC	1.25A @ 12 VDC .76A @ 24 VDC
Height	3"	3"
Length	12 1/2"	25 1/16"
Depth	3 1/16"	3 1/16"
Weight (approximate)	16 lbs	32 lbs
Certifications	ANSI/BHMA 156.24, UL special locking arrangement, UL10C, cUL, CSFM, UL294	
Temperature	0° to 49°C (32° to 120° F)	0° to 49°C (32° to 120° F)
Wire gauge	14-22 AWG	14-22 AWG

## Filler plates

Length	12 1/2"
Width x Height	Plate no.
1 1/4" x 1/8"	4901F
1 1/4" x 1/4"	4902F
1 1/4" x 3/8"	4903F
1 1/4" x 1/2"	4904F
1 1/4" x 5/8"	4905F
3/4" x 1/2"	4906F
3/4" x 5/8"	4907F
3/4" x 3/4"	4908F

## Angle brackets

Length	12 1/2"
Width x Height	Bracket no.
1" x 1"	4901A
1 1/2" x 1"	4902A
1 1/2" x 1 1/2"	4903A
1 1/2" x 2"	4904A
1 1/2" x 2 1/2"	4905A

Allegion, the Allegion logo, Schlage, and the Schlage logo are trademarks of Allegion plc, its subsidiaries and/or affiliates in the United States and other countries. Herculite® is a registered trademark of Vitro, S.A.B. de C.V., and is not affiliated with Allegion or any of its subsidiaries.

## About Allegion

Allegion (NYSE: ALLE) is a global pioneer in safety and security, with leading brands like CISA®, Interflex®, LCN®, Schlage®, SimonsVoss® and Von Duprin®. Focusing on security around the door and adjacent areas, Allegion produces a range of solutions for homes, businesses, schools and other institutions. Allegion is a \$2 billion company, with products sold in almost 130 countries. For more, visit [www.allegion.com](http://www.allegion.com).

KRYPTONITE ■ LCN ■  ■ STEELCRAFT ■ VON DUPRIN

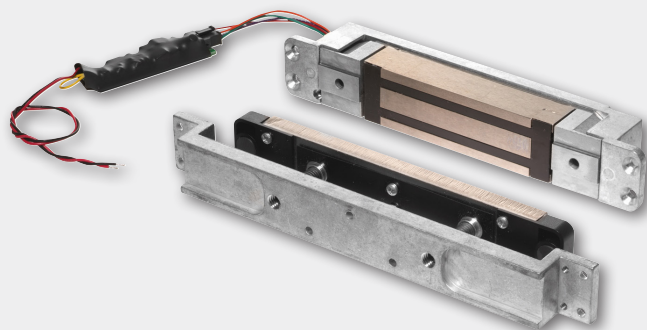


© 2020 Allegion  
004762, Rev. 09/20  
[www.allegion.com/us](http://www.allegion.com/us)



# GF3000

Mortise mounted shear lock



## Overview

GF3000 Series shear locks feature a patented design, offering advances over any shear lock in the market.

A microprocessor-based control module provides advanced electronic features. This circuitry automatically senses and adjusts input voltage, allowing for operation from 12 to 24 volt DC power sources.

These mortise shear locks offer the advantage of a totally concealed locking mechanism, providing superior security and appearance while allowing for normal door movement. The patented design incorporates locking “tabs” on the magnet assembly with mating grooves in the armature plate.

The GF3000 Series locks are ideally suited for commercial grade quality hollow metal doors and frames, and are designed to be compatible with HERCULITE® brand glass doors with top rail. Advances in design provide low operating temperatures, making these shear lock suitable for use in the growing demand for concealed locks in wood frames.

The GF3000TRD model is available when armature adjustment is required from the edge of the door due to flush ceiling conditions. The GF3000BRD model is available when no top rail mounting is available.

## Features and benefits

- 3000 lb. hold force rating
- Fully concealed shear lock mortise design
- Automatic voltage selection (AVS) 12/24 VDC (filtered)
- Built-in automatic relock switch
- Adjustable time delay on relock, 0-30 seconds
- Low temperature operation
- Microprocessor controlled
- Optional Magnetic Bond Sensor (MBS) to monitor the secure/not secure condition of the lock
- Optional Door Status Monitor (DSM) to sense the open/closed position of the door
- ANSI/BHMA 156.23, UL 10C, cUL, and CSFM certifications
- Limited lifetime warranty on magnetic coil



## Specifications

	GF3000	GF3000TRD	GF3000BRD
Holding force	3000 lbs	3000 lbs	3000 lbs
Input voltage*	12/24 VDC	12/24 VDC	12/24 VDC
Current draw	.90A @ 12VDC .45A @ 24VDC	.90A @ 12VDC .45A @ 24VDC	.90A @ 12VDC .45A @ 24VDC
Lock body Dimensions (L x H x D)	9 1/2" x 1 1/2" x 1 1/2"	9 1/2" x 1 1/2" x 1 1/2"	N/A
Lock body with mounting tabs	11 9/16" x 1 1/2" x 1 1/2"	11 9/16" x 1 1/2" x 1 1/2"	7 1/16" x 1 1/2" x 1 3/16"
Threshold box	N/A	N/A	7 1/2" x 2 1/4" x 1 3/4"
Armature	8 3/8" x 1 3/8" x 1/2"	8 3/8" x 1 3/8" x 1/2"	6 1/8" x 1 3/8" x 7/16"
Armature bracket	10 5/8" x 1 3/8" x 1"	6 1/4" x 1 3/8" x 1 1/4"	6 1/4" x 1 3/8" x 1 1/4"
Weight	7 lbs.	6 lbs.	6 lbs.
Certifications	UL 10C, cUL, CSFM, ANSI/BHMA 156.23	UL 10C, cUL, CSFM, ANSI/BHMA 156.23	UL 10C, cUL, CSFM, ANSI/BHMA 156.23

\*Requires filtered, regulated power supply.

## Ordering information

- **GF3000** (Standard Model): Fully concealed shear lock. The armature mounts into top of door or top rail and magnet mounts into header or frame. Air gap adjustment is from top edge of door.
- **GF3000TRD** (Top Rail Door): Fully concealed shear lock intended for use when top of door is not accessible for air gap adjustment after door is hung. Armature mounts into top of door or top rail and magnet mounts into header or frame. Air gap adjustment is from latch edge of door.
- **GF3000BRD** (Bottom Rail Door): Fully concealed shear lock intended for use when top of door is not accessible for air gap adjustment after door is hung. Armature mounts into bottom of door or bottom rail and magnet mounts into floor. Air gap adjustment is from edge of armature. Popular application compatible with HERCULITE® brand glass doors.

### Options

- **DSM/MBS** - Door Status Monitor/Magnetic Bond Sensor

Allegion, the Allegion logo, Schlage, and the Schlage logo are trademarks of Allegion plc, its subsidiaries and/or affiliates in the United States and other countries. Herculite® is a registered trademark of Vitro, S.A.B. de C.V., and is not affiliated with Allegion or any of its subsidiaries.

## About Allegion

Allegion (NYSE: ALLE) is a global pioneer in seamless access, with leading brands like CISA®, Interflex®, LCN®, Schlage®, SimonsVoss® and Von Duprin®. Focusing on security around the door and adjacent areas, Allegion secures people and assets with a range of solutions for homes, businesses, schools and institutions. Allegion had \$2.9 billion in revenue in 2019 and sells products in almost 130 countries. For more, visit [www.allegion.com](http://www.allegion.com)

KRYPTONITE ■ LCN ■  ■ STEELCRAFT ■ VON DUPRIN

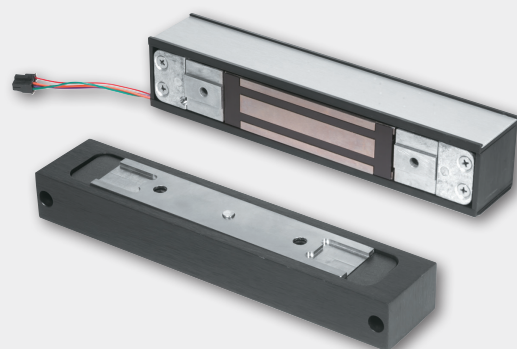


© 2020 Allegion  
004160, Rev. 09/20  
[www.allegion.com/us](http://www.allegion.com/us)

**SCHLAGE**

## GF3000

Surface mounted  
shear lock



### Overview

GF3000 Series shear locks' patented design provides powerful holding force in low profile models for inswinging and outswinging doors. A microprocessor-based control module provides advanced electronic features. This circuitry automatically senses and adjusts input voltage, allowing for operation from 12 to 24 volt DC power sources.

The lightweight, black anodized housing can be quickly mounted without need of brackets and is finished off with a satin aluminum decorative plate for a clean look.

### Features and benefits

- 3000 lb. hold force rating
- Automatic voltage selection (AVS) 12/24 VDC (filtered)
- Built-in automatic relock switch
- Adjustable time delay on relock, 0-30 seconds
- Low temperature operation
- Microprocessor controlled
- Optional Magnetic Bond Sensor (MBS) to monitor the secure/not secure condition of the lock
- Optional Door Status Monitor (DSM) to sense the open/closed position of the door
- Housing is black anodized with BHMA 628 satin aluminum decorative plate
- ANSI/BHMA 156.23, UL 10C, cUL, and CSFM certifications
- Limited lifetime warranty on magnetic coil assembly

## Specifications

	GF3000SM	GF3000TJ
Holding force (lbs.)	3000	3000
Door type	Outswinging	Inswinging
Current Draw	.90A @ 12VDC .45A @ 24VDC	.90A @ 12VDC .45A @ 24VDC
Lock housing (L x H x D)	9 <sup>13</sup> / <sub>16</sub> " x 1 <sup>1</sup> / <sub>4</sub> " x 1 <sup>1</sup> / <sub>2</sub> "	9 <sup>13</sup> / <sub>16</sub> " x 1 <sup>1</sup> / <sub>4</sub> " x 1 <sup>1</sup> / <sub>2</sub> "
Armature housing (L x H x D)	8 <sup>3</sup> / <sub>8</sub> " x 1 <sup>3</sup> / <sub>8</sub> " x 1 <sup>1</sup> / <sub>2</sub> "	8 <sup>3</sup> / <sub>8</sub> " x 1 <sup>3</sup> / <sub>8</sub> " x 1 <sup>1</sup> / <sub>2</sub> "
Weight	9 lbs.	9 lbs.
Certifications	UL10C, cUL, CSFM, ANSI/BHMA 156.23	UL10C, cUL, CSFM, ANSI/BHMA 156.23

## Ordering information

- **GF3000SM (Surface Mounted):** Surface mounted shear lock intended for use on outswinging doors. Surface mounted magnet mounts under header and surface mounted armature assembly mounts into door just under magnet assembly. Air gap adjustment is from top of door.
- **GF3000TJ (Top Jamb):** Surface mounted shear lock intended for use on inswinging doors that are flush with frame's inner face. Surface mounted armature assembly mounts onto top of door or top rail and surface mounted magnet mounts onto frame's face. Air gap adjustment is from top of door.

### Options

- **DSM/MBS** - Door Status Monitor/Magnetic Bond Sensor

Allegion, the Allegion logo, Schlage, and the Schlage logo are trademarks of Allegion plc, its subsidiaries and/or affiliates in the United States and other countries. All other trademarks are the property of their respective owners.

## About Allegion

Allegion (NYSE: ALLE) is a global pioneer in seamless access, with leading brands like CISA®, Interflex®, LCN®, Schlage®, SimonsVoss® and Von Duprin®. Focusing on security around the door and adjacent areas, Allegion secures people and assets with a range of solutions for homes, businesses, schools and institutions. Allegion had \$2.9 billion in revenue in 2019 and sells products in almost 130 countries. For more, visit [www.allegion.com](http://www.allegion.com)

KRYPTONITE ■ LCN ■  ■ STEELCRAFT ■ VON DUPRIN

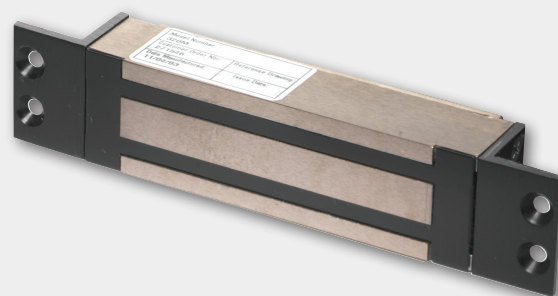


© 2020 Allegion  
004159, Rev. 09/20  
[www.allegion.com/us](http://www.allegion.com/us)

**SCHLAGE**

## 320M

Mortise mount sliding door  
electromagnetic lock



### Overview

Schlage provides the industry's most complete selection of electromagnetic locks. The 320M MiniLine™ is a UL listed, for mortise mounted electromagnetic lock designed for use on sliding doors. It interfaces with electronic access control systems, automatic door operators, and fire or hazard sensing systems to provide egress upon detectable emergency. With a fail-safe design, it offers an excellent solution for both security and life safety requirements when connected to the fire alarm circuit.

The 320M has been installed in thousands of locations worldwide including airports, hospitals, nursing homes, schools, universities, libraries, museums, retail and office buildings, laboratories, and government buildings.

### Features and benefits

- 550 lb. hold force rating with 24 VDC
- Compact, mortise mount design for sliding doors
- Includes mounting tabs and armature mounting block
- Low maintenance - no moving parts
- Meets security and life safety requirements
- Field selectable 12 or 24 VDC operation
- Standard features include adjustable time delay (ATD), door status monitor (DSM), and magnetic bond sensor (MBS)
- cUL and CSFM certified
- UL 10C listed for positive pressure fire tests of door assemblies: 3 hours
- Limited lifetime warranty on magnetic coil assembly

---

## Specifications

---

Holding force	400 lbs @ 12 VDC, 550 lbs @ 24 VDC
Input voltage	12/24 VDC
Current draw (Dual Voltage Field Selectable)	.23A@ 12 VDC .45A @ 24 VDC
Wiring	Wire leads 12" long
Lock body (L x H x D)	7" x 1 <sup>3</sup> / <sub>8</sub> " x 1 <sup>7</sup> / <sub>8</sub> "
Armature (L x H x D)	4 1/4" x 1 1/2" x 5/8"
Weight	6 lbs

---

**Note for wood frames:** Due to higher ambient operating temperatures, it is required that the 12 VDC configuration be used.

Allegion, the Allegion logo, Schlage and the Schlage logo are trademarks of Allegion plc, its subsidiaries and/or affiliates in the United States and other countries. All other trademarks are the property of their respective owners.

### About Allegion

Allegion (NYSE: ALLE) is a global pioneer in safety and security, with leading brands like CISA®, Interflex®, LCN®, Schlage®, SimonsVoss® and Von Duprin®. Focusing on security around the door and adjacent areas, Allegion produces a range of solutions for homes, businesses, schools and other institutions. Allegion is a \$2 billion company, with products sold in almost 130 countries. For more, visit [www.allegion.com](http://www.allegion.com).

KRYPTONITE ■ LCN ■  ■ STEELCRAFT ■ VON DUPRIN



© 2019 Allegion  
004157, Rev. 12/19  
[www.allegion.com/us](http://www.allegion.com/us)



# M390RFK Retrofit

Electromagnetic lock



## Overview

The M390RFK is designed to retrofit the Locknetics 390+ without any additional prep. This ensures ease of installation for retrofit applications. The M390RFK comes standard with a Door Status Monitor (DSM), Magnetic Bond Sensor (MBS), and Relocking Time Delay (RTD). It's design employs a standardized circuit board with easy-to-install connectors, adjustable mounting brackets and integrated mounting screws. The armature housing was designed to eliminate noise and sagging, increasing the overall reliability of the product. The armature housing also holds magnets for the DSM feature without having to mount an additional plate to the armature, ensuring quicker, more reliable installations.

The M390RFK easily interfaces with most electronic access control systems in the market today, as well as automatic door operators and fire, or other hazard sensing systems for egress and emergency egress.

## Features and benefits

- Direct retrofit for Locknetics 390+ electromagnetic lock for outswinging doors
- Single lock model has 1500 lbs. of holding force for maximum security applications
- Automatic voltage selection (AVS)
- Adjustable mounting brackets
- Standard features include door status monitor (DSM), magnetic bond sensor with LED indicator (MBS) and a relocking time delay (RTD) of 0-110 seconds
- UL 10C listed for positive pressure fire tests of door assemblies: 3 hours
- ANSI/BHMA 156.23 Grade 1, cUL certified
- Limited lifetime warranty on magnetic coil assembly

---

## M390RFK electromagnetic lock specifications

---

Holding force	1500 lbs
Door type	Single outswinging only
Input voltage (standard unit)	12 or 24 VDC
Current draw (amps standard unit)	.65A @ 12 VDC .45A @ 24 VDC
Height	2 7/8"
Length	10 1/2"
Depth	1 5/8"
Weight (approximate)	12.4 lbs
Certifications	ANSI/BHMA 156.23, UL 10C, cUL
Temperature	0° to 49° C (32° to 120° F)

---

Allegion, the Allegion logo, Schlage, and the Schlage logo are trademarks of Allegion plc, its subsidiaries and/or affiliates in the United States and other countries. All other trademarks are the property of their respective owners.

### About Allegion

Allegion (NYSE: ALLE) is a global pioneer in safety and security, with leading brands like CISA®, Interflex®, LCN®, Schlage®, SimonsVoss® and Von Duprin®. Focusing on security around the door and adjacent areas, Allegion produces a range of solutions for homes, businesses, schools and other institutions. Allegion is a \$2 billion company, with products sold in almost 130 countries. For more, visit [www.allegion.com](http://www.allegion.com).

KRYPTONITE ■ LCN ■  ■ STEELCRAFT ■ VON DUPRIN



© 2019 Allegion  
009007, Rev. 12/19  
[www.allegion.com/us](http://www.allegion.com/us)

**SCHLAGE**

PS906

6 amp power supply

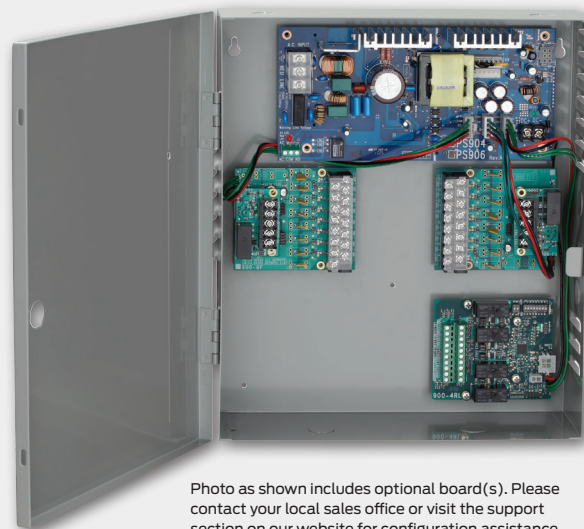


Photo as shown includes optional board(s). Please contact your local sales office or visit the support section on our website for configuration assistance.

## Overview

The Schlage comprehensive line of power supplies and option boards was designed to address the changing needs of the access control market.

Installation is simplified by utilizing a flat mounting design and polarized locking connectors for option boards. This design eliminates the need for racks and side connectors. The flat mounting of the option boards also provides for easier access to the terminal blocks for connection of electrified devices (such as electrified strikes, electromagnetic locks, card readers, etc.).

Common to the line of PS900 Series power supplies is a constant output rating at both 12v and 24v settings, universal 120 VAC to 240 VAC input, and polarized option board connectors. New fire alarm interface board mounting allows outputs to be configured as switched (power cut) or unswitched (power continues) when signal is provided.

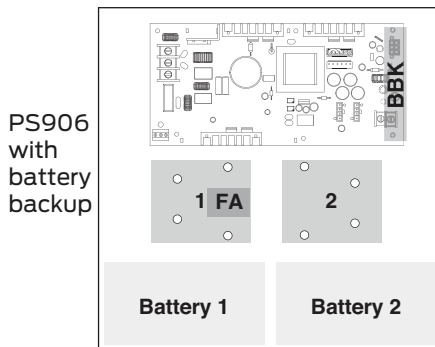
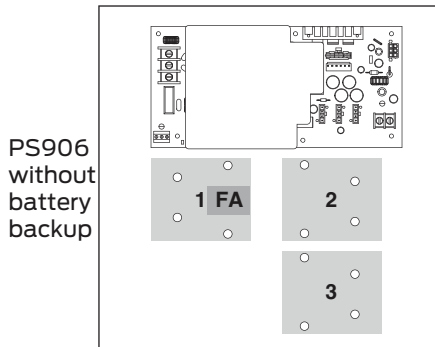
## Features and benefits

- 6A @ 12/24 VDC constant output, field selectable with jumper
- Provides low-voltage, Class 1, filtered and regulated power (Class 2 when used with 900-8P option board)
- Universal 120–240 VAC, fused primary input
- Three polarized option board connectors eliminate need for racks and side connectors
- AC input and DC output monitoring circuit with LED indicators
- Externally visible AC input indicator with isolated SPDT contacts
- High-voltage protective cover for AC circuitry (not shown)
- Battery back-up board auto-selects voltage
- Optional Fire Alarm plug-in board available
- UL 294, ULC-S318, RoHS, and FCC Part 15 certified



## Configuration options

Available option board, fire alarm and battery backup connection locations:



### Exit device support

Von Duprin QEL	Up to 8 <sup>1</sup>
Von Duprin EL	None
Falcon EL	None

1. Requires the use of two 900-4RL option boards

## PS906 power supply specifications

Specification	Description
Input voltage	120/240 VAC, 50/60 Hz, universal input
Output voltage	6A @ 12 or 24 VDC Field selectable with jumper Switching supply, 5% regulation, 240mVpp max ripple
Enclosure	Grey/baked enamel 14"x 12"x 4" (H x W x D) Eight 1/2" x 3/4" knockouts NEMA Grade 1 Hinged cover with lock down screws
Operating temperature	32° - 120°F (0° - 49°C)
Certifications	ANSI/UL 294 ULC-S318 RoHS FCC Part 15 Class 1 (Class 2 when used with 900-8P option board)
Battery backup (install on main board)	900-BB: Battery backup board only 900-BBK: Battery backup kit (backup board plus battery pack)
Available option boards	900-FA: Plug-in fire alarm (must be installed on option board) 900-2RS*: 2 Relay option board capable of individual or sequential operation for single and pair door applications 900-4R*: 4 Relay option board 900-4RL*: 4 Relay option board with integrated logic and individual or sequential operation capability for controlling security interlocks, auto operators and time delay function 900-8F*: Fused, 8 zone option board 900-8P*: PTC, 8 zone option board
AC primary fuse size	6.3A, 250v, 5 x 20 mm
Battery fuse size	7.5A 32v ATO blade style
DC output protection	Overload protection - current limited foldback circuit
Indicators	LED indicators: - AC input (visible on outside of enclosure) - DC output Isolated SPDT contacts to monitor AC power status
Weight (power supply)	Approx. 9.0 lbs
Weight (each battery)	4.0 lbs
AC input termination	3 position terminal block with protective cover Wire capacity: 10 AWG max.
DC output termination	2 position terminal block Wire capacity: 12 AWG max.
Option board connectors	3
Fire alarm board connector	Yes (requires connection on option board)
Keylock	Optional
Accessories	900-BAT: Backup battery pack

\* Compatible with plug-in fire alarm board (900-FA)

Allegion, the Allegion logo, Schlage, and the Schlage logo are trademarks of Allegion plc, its subsidiaries and/or affiliates in the United States and other countries. All other trademarks are the property of their respective owners.

## About Allegion

Allegion (NYSE: ALLE) is a global pioneer in safety and security, with leading brands like CISA®, Interflex®, LCN®, Schlage®, SimonsVoss® and Von Duprin®. Focusing on security around the door and adjacent areas, Allegion produces a range of solutions for homes, businesses, schools and other institutions. Allegion is a \$2 billion company, with products sold in almost 130 countries. For more, visit [www.allegion.com](http://www.allegion.com).

KRYPTONITE ■ LCN ■  ■ STEELCRAFT ■ VON DUPRIN



© 2019 Allegion  
004193, Rev. 12/19  
[www.allegion.com/us](http://www.allegion.com/us)

**SCHLAGE**

PS904

4 amp power supply



Photo as shown includes optional board(s). Please contact your local sales office or visit the support section on our website for configuration assistance.

## Overview

The Schlage comprehensive line of power supplies and option boards was designed to address the changing needs of the access control market.

Installation is simplified by utilizing a flat mounting design and polarized locking connectors for option boards. This design eliminates the need for racks and side connectors. The flat mounting of the option boards also provides for easier access to the terminal blocks for connection of electrified devices (such as electrified strikes, electromagnetic locks, card readers, etc.).

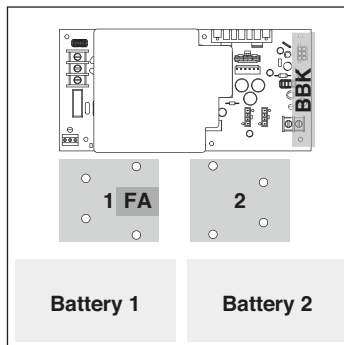
Common to the line of PS900 Series power supplies is a constant output rating at both 12v and 24v settings, universal 120 VAC to 240 VAC input, and polarized option board connectors. New fire alarm interface board mounting allows outputs to be configured as switched (power cut) or unswitched (power continues) when signal is provided.

## Features and benefits

- 4A @ 12/24 VDC constant output, field selectable with jumper
- Provides low-voltage, Class 2, filtered and regulated power
- Universal 120-240 VAC, fused primary input
- Two polarized option board connectors eliminate need for racks and side connectors
- AC input and DC output monitoring circuit with LED indicators
- Externally visible AC input indicator with isolated SPDT contacts
- High-voltage protective cover for AC circuitry (not shown)
- Battery back-up board auto-selects voltage
- Optional Fire Alarm plug-in board available
- UL 294, ULC-S318, RoHS, and FCC Part 15 certified

## Configuration options

Available option board, fire alarm and battery backup connection locations:



### Exit device support

Von Duprin QEL	Up to 4 <sup>1</sup>
Von Duprin EL	None
Falcon EL	None

1. Requires the use of one 900-4RL option board

## PS904 power supply specifications

Specification	Description
Input voltage	120/240 VAC, 50/60 Hz, universal input
Output voltage	4A @ 12 or 24 VDC Field selectable with jumper Switching supply, 5% regulation, 240mVpp max ripple
Enclosure	Grey/baked enamel 14" x 12" x 4" (H x W x D) Eight 1/2" x 3/4" knockouts NEMA Grade 1 Hinged cover with lock down screws
Operating temperature	32° - 120°F (0° - 49°C)
Certifications	ANSI/UL 294 ULC-S318 RoHS FCC Part 15 Class 2
Battery backup (install on main board)	900-BB: Battery backup board only 900-BBK: Battery backup kit (backup board plus battery pack)
Available option boards	900-FA: Plug-in fire alarm (must be installed on option boards) 900-2RS*: 2 Relay option board capable of individual or sequential operation for single and pair door applications 900-4R*: 4 Relay option board 900-4RL*: 4 Relay option board with integrated logic and individual or sequential operation capability for controlling security interlocks, auto operators and time delay function 900-8F*: Fused, 8 zone option board 900-8P*: PTC, 8 zone option board
AC primary fuse size	4A, 250v, 5 x 20mm
Battery fuse size	7.5A 32v ATO blade style
DC output protection	Overload protection - current limited foldback circuit
Indicators	LED indicators: - AC input (visible on outside of enclosure) - DC output Isolated SPDT contacts to monitor AC power status
Weight (power supply)	Approx. 9.0 lbs
Weight (each battery)	4.0 lbs
AC input termination	3 position terminal block with protective cover Wire capacity: 10 AWG max.
DC output termination	2 position terminal block Wire capacity: 12 AWG max.
Option board connectors	2
Fire alarm board connector	Yes (requires connection on option board)
Keylock	Optional
Accessories	900-BAT: Backup battery pack

\* Compatible with plug-in fire alarm board (900-FA)

Allegion, the Allegion logo, Schlage, and the Schlage logo are trademarks of Allegion plc, its subsidiaries and/or affiliates in the United States and other countries. All other trademarks are the property of their respective owners.

## About Allegion

Allegion (NYSE: ALLE) is a global pioneer in safety and security, with leading brands like CISA®, Interflex®, LCN®, Schlage®, SimonsVoss® and Von Duprin®. Focusing on security around the door and adjacent areas, Allegion produces a range of solutions for homes, businesses, schools and other institutions. Allegion is a \$2 billion company, with products sold in almost 130 countries. For more, visit [www.allegion.com](http://www.allegion.com).

KRYPTONITE ■ LCN ■  ■ STEELCRAFT ■ VON DUPRIN



© 2019 Allegion  
004194, Rev. 12/19  
[www.allegion.com/us](http://www.allegion.com/us)

**SCHLAGE**

PS902

2 amp power supply

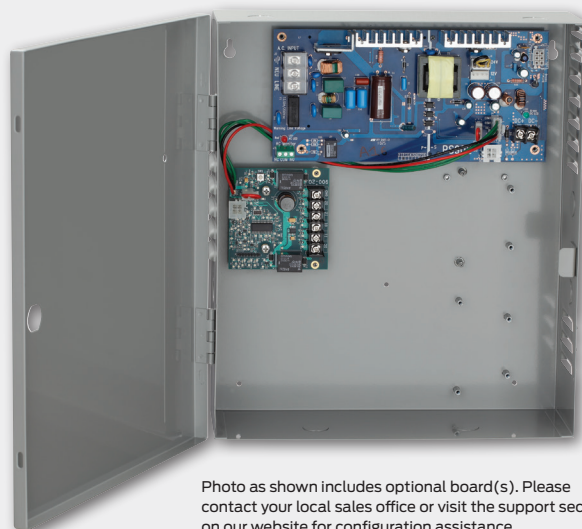


Photo as shown includes optional board(s). Please contact your local sales office or visit the support section on our website for configuration assistance.

## Overview

The Schlage comprehensive line of power supplies and option boards was designed to address the changing needs of the access control market.

Installation is simplified by utilizing a flat mounting design and polarized locking connectors for option boards. This design eliminates the need for racks and side connectors. The flat mounting of the option boards also provides for easier access to the terminal blocks for connection of electrified devices (such as electrified strikes, electromagnetic locks, card readers, etc.).

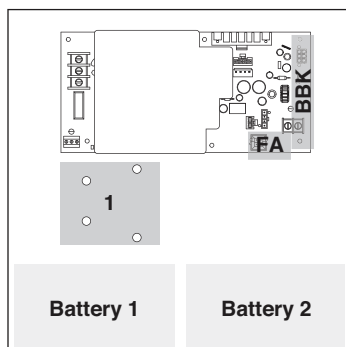
Common to the line of PS900 Series power supplies is a constant output rating at both 12v and 24v settings, universal 120 VAC to 240 VAC input, and polarized option board connectors. New fire alarm interface board mounting allows outputs to be configured as switched (power cut) or unswitched (power continues) when signal is provided.

## Features and benefits

- 2A @ 12/24 VDC constant output, field selectable with jumper
- Provides low-voltage, Class 2, filtered and regulated power
- Universal 120-240 VAC, fused primary input
- Single polarized option board connector
- AC input and DC output monitoring circuit with LED indicators
- Externally visible AC input indicator with isolated SPDT contacts
- High-voltage protective cover for AC circuitry (not shown)
- Battery back-up board auto-selects voltage
- Optional Fire Alarm plug-in board available
- UL 294, ULC-S318, RoHS, and FCC Part 15 certified

## Configuration options

Available option board, fire alarm and battery backup connection locations:



### Exit device support

Von Duprin QEL	Up to 2 <sup>1</sup>
Von Duprin EL	None
Falcon EL	None

1. Requires the use of one 900-2RS option board

## PS902 power supply specifications

Specification	Description
Input voltage	120/240 VAC, 50/60 Hz, universal input
Output voltage	2A @ 12 or 24 VDC Field selectable with jumper Switching supply, 5% regulation, 240mVpp max ripple
Enclosure	Grey/baked enamel 14" x 12" x 4" (H x W x D) Eight 1/2" x 3/4" knockouts NEMA Grade 1 Hinged cover with lock down screws
Operating temperature	32° - 120°F (0° - 49°C)
Certifications	ANSI/UL 294 ULC-S318 RoHS FCC Part 15 Class 2
Battery backup (install on main board)	900-BB: Battery backup board only 900-BBK: Battery backup kit (backup board plus battery pack)
Available option boards	900-FA: Plug-in fire alarm (install on main or option board) 900-2RS: 2 Relay option board capable of individual or sequential operation for single and pair door applications 900-4R: 4 Relay option board 900-4RL: 4 Relay option board with integrated logic and individual or sequential operation capability for controlling security interlocks, auto operators, and time delay function 900-8F: Fused, 8 zone option board 900-8P: PTC, 8 zone option board
AC primary fuse size	3.15A, 250v, 5 x 20mm
Battery fuse size	7.5A 32v ATO blade style
DC output protection	Overload protection - current limited foldback circuit
Indicators	LED indicators: - AC input (visible on outside of enclosure) - DC output Isolated SPDT contacts to monitor AC power status
Weight (power supply)	Approx. 9.0 lbs
Weight (each battery)	4.0 lbs
AC input termination	3 position terminal block with protective cover Wire capacity: 10 AWG max.
DC output termination	2 position terminal block Wire capacity: 12 AWG max.
Option board connectors	1
Fire alarm board connector	Yes
Keylock	Optional
Accessories	900-BAT: Backup battery pack

Allegion, the Allegion logo, Schlage, and the Schlage logo are trademarks of Allegion plc, its subsidiaries and/or affiliates in the United States and other countries. All other trademarks are the property of their respective owners.

## About Allegion

Allegion (NYSE: ALLE) is a global pioneer in safety and security, with leading brands like CISA®, Interflex®, LCN®, Schlage®, SimonsVoss® and Von Duprin®. Focusing on security around the door and adjacent areas, Allegion produces a range of solutions for homes, businesses, schools and other institutions. Allegion is a \$2 billion company, with products sold in almost 130 countries. For more, visit [www.allegion.com](http://www.allegion.com).

KRYPTONITE ■ LCN ■  ■ STEELCRAFT ■ VON DUPRIN



ALLEGION™

© 2019 Allegion  
004195, Rev. 12/19  
[www.allegion.com/us](http://www.allegion.com/us)

VON DUPRIN®

PS914

4 amp high in rush  
power supply

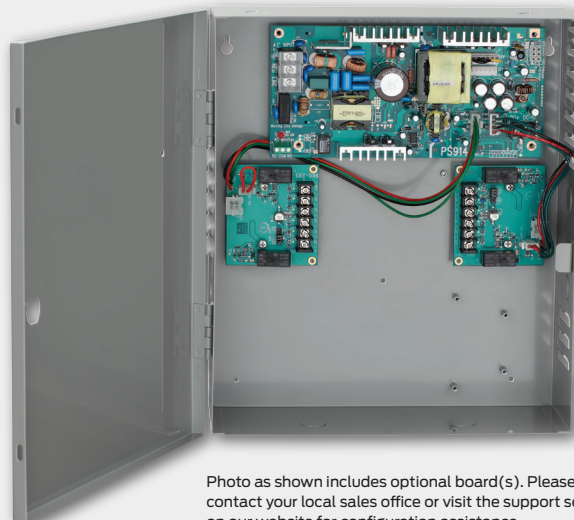


Photo as shown includes optional board(s). Please contact your local sales office or visit the support section on our website for configuration assistance.

## Overview

Von Duprin power supply and option board products were designed to meet the specific requirements of electrified fire exit devices.

Installation is simplified by utilizing a flat mounting design and polarized locking connectors for option boards. This design eliminates the need for racks and side connectors. The flat mounting of the option boards also provides for easier access to the terminal blocks for connection of electrified devices (such as electrified panic devices, strikes, card readers, etc.).

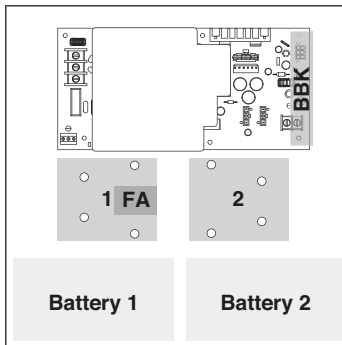
Common to the line of PS900 Series power supplies is a constant output rating at both 12v and 24v settings, universal 120 VAC to 240 VAC input, and polarized option board connectors. New fire alarm interface board mounting allows outputs to be configured as switched (power cut) or unswitched (power continues) when signal is provided.

## Features and benefits

- 4A @ 12/24 VDC constant output, field selectable with jumper
- Designed for use with electrified panic devices requiring high in rush current
- Provides low-voltage, Class 2, filtered and regulated power
- Universal 120-240 VAC, fused primary input
- Two polarized option board connectors
- AC input and DC output monitoring circuit with LED indicators
- Externally visible AC input indicator with isolated SPDT contacts
- High-voltage protective cover for AC circuitry (not shown)
- Battery back-up board auto-selects voltage
- Optional Fire Alarm plug-in board available
- UL 294, ULC-S318, RoHS, and FCC Part 15 certified

## Configuration options

Available option board, fire alarm and battery backup connection locations:



### Exit device support

Von Duprin QEL	Up to 8 <sup>1</sup>
Von Duprin EL	Up to 8 <sup>1,2</sup>
Falcon EL	Up to 8 <sup>1,2</sup>

1. Requires the use of two 900-4RL option boards

2. Distance from power supply may be limited with multiple EL applications - consult technical support for wire run lengths

## PS914 power supply specifications

Specification	Description
Input voltage	120/240 VAC, 50/60 Hz, universal input
Output voltage	4A @ 12 or 24 VDC Field selectable with jumper Switching supply, 5% regulation, 360mVpp max ripple
Enclosure	Grey/baked enamel 14" x 12" x 4" (H x W x D) Eight 1/2" x 3/4" knockouts Hinged cover with lock down screws
Operating temperature	32° - 120°F (0° - 49°C)
Certifications	ANSI/UL 294 ULC-S318 RoHS FCC Part 15 Class 2
Battery backup (install on main board)	900-BB: Battery backup board only 900-BBK: Battery backup kit (backup board plus battery pack)
Available option boards	900-FA: Plug-in fire alarm (must be installed on option board) 900-2RS*: 2 Relay option board capable of individual or sequential operation for single and pair door applications 900-4R*: 4 Relay option board 900-4RL*: 4 Relay option board with integrated logic and individual or sequential operation capability for controlling security interlocks, auto operators and time delay function 900-8F*: Fused, 8 zone option board 900-8P*: PTC, 8 zone option board
AC primary fuse size	6.3A, 250v, 5 x 20mm
Battery fuse size	7.5A 32v ATO blade style
DC output protection	Overload protection - current limited foldback circuit
Indicators	LED indicators: - AC input (visible on outside of enclosure) - DC output Isolated SPDT contacts to monitor AC power status
Weight (power supply)	Approx. 9.0 lbs
Weight (each battery)	4.0 lbs
AC input termination	3 position terminal block with protective cover Wire capacity: 10 AWG max.
DC output termination	2 position terminal block Wire capacity: 12 AWG max.
Option board connectors	2
Fire alarm board connector	Yes (requires connection on option board)
Keylock	Optional
Accessories	900-BAT: Backup battery pack

\* Compatible with plug-in fire alarm board (900-FA)

Allegion, the Allegion logo, Von Duprin, and the Von Duprin logo are trademarks of Allegion plc, its subsidiaries and/or affiliates in the United States and other countries. All other trademarks are the property of their respective owners.

## About Allegion

Allegion (NYSE: ALLE) is a global pioneer in safety and security, with leading brands like CISA®, Interflex®, LCN®, Schlage®, SimonsVoss® and Von Duprin®. Focusing on security around the door and adjacent areas, Allegion produces a range of solutions for homes, businesses, schools and other institutions. Allegion is a \$2 billion company, with products sold in almost 130 countries. For more, visit [www.allegion.com](http://www.allegion.com).

KRYPTONITE ■ LCN ■  ■ STEELCRAFT ■ VON DUPRIN



© 2019 Allegion  
004101, Rev. 12/19  
[www.allegion.com/us](http://www.allegion.com/us)



**SCHLAGE**

## 620/631 Series

Heavy-duty pushbuttons



### Overview

Schlage pushbuttons are used to control the ingress and/or egress of a door. The 620 and 631 Series pushbuttons are easy to install and operate. Their standard and narrow stile plates offer ultimate flexibility. The 620 to 631 Series have multiple button configuration and finish options provide enhanced architectural appeal.

Schlage 620 and 631 Series pushbuttons also offer significant installer-friendly innovations such as screw terminal connections for the momentary action models and easy-to-install L2/ILL optional PC board, offering backlit illumination for the cone with green, yellow and red LEDs. Additional options include maintained or delayed action, double pole double throw switches, narrow stile faceplates and heavy-duty faceplates with several architectural finishes.

### Features and benefits

- 620 Series offered in 5 button colors
- "PUSH TO EXIT" message and handicap symbol choices provide obvious action indication
- Glow-in-the-dark and LED backlit button options
- Momentary action is standard; factory orderable with delayed (0-60 second) or alternate action
- Double pole, double throw optional (not available with delayed action)
- Standard, heavy-duty single gang faceplate or narrow stile option
- 1<sup>1</sup>/<sub>4</sub>" inset, 1<sup>5</sup>/<sub>8</sub>" mushroom and 2<sup>3</sup>/<sub>4</sub>" large mushroom buttons
- 630 satin stainless steel standard plus 6 other finish options
- Extreme duty 631 models come standard in cast zinc with 626 satin chrome finish



# Ordering information

621-GID-DA-SF-626

Selections correspond with the numbers to the left

Model	Button	Options	Finish
1	2	3	4

1	Model
621	1 1/4" Button, single gang
623	1 5/8" Mushroom button, single gang
625	2 3/4" Mushroom button, single gang
631	1 1/4" Metal button, single gang
2	Button
GID-EX	Glow-in-the-dark "PUSH TO EXIT"
GID	Glow-in-the-dark
RD-EX	Red, "PUSH TO EXIT"
RD	Red
GR-EX	Green, "PUSH TO EXIT"
GR	Green
BL-H	Blue, handicapped symbol
BK	Black
AL-EX-RD	Aluminum button red coated, engraved "PUSH TO EXIT"
AL-EX	Aluminum button, engraved "PUSH TO EXIT"
AL	Aluminum button

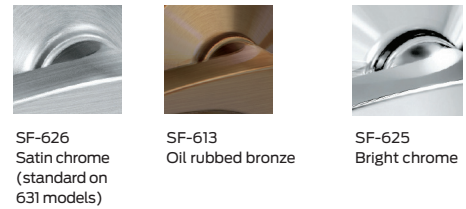
3	Options
DA	Delayed action (0-60 seconds)
AA	Alternate action - maintained
DP	Double pole double throw (not available with DA option)
L2/ILL	3 LEDs - green/yellow/red concealed within opaque cone (not available for 625/625-NS models)
NS	Narrow stile faceplate (1 3/4" x 4 1/2")
4	Finish
630	Satin stainless steel (standard) on .035 steel
SF-626	Satin chrome (standard on 631 models)
SF-613	Oil satin bronze
SF-625	Bright chrome

Note: Non-standard finishes on heavy-duty plate (HDP) 1/4" thick cast zinc

## Button configurations

	GID-EX	GID-H	GID	RD-EX	RD	GR-EX	GR	BL-H	BK
621		-							
623		-							
625	-	-	-						
	AL-EX	AL	AL-RD-EX						
621									
	AL-EX	AL	AL-RD-EX						
631									

## Optional Finishes



## Multiple button configuration

621 1 1/4" Button



623 1 5/8" Mushroom button



625 2 3/4" Mushroom button



631 Extreme-duty 1 1/4" Metal button



## About Allegion

Allegion (NYSE: ALLE) is a global pioneer in safety and security, with leading brands like CISA®, Interflex®, LCN®, Schlage®, SimonsVoss® and Von Duprin®. Focusing on security around the door and adjacent areas, Allegion produces a range of solutions for homes, businesses, schools and other institutions. Allegion is a \$2 billion company, with products sold in almost 130 countries. For more, visit [www.allegion.com](http://www.allegion.com).

KRYPTONITE ■ LCN ■ SCHLAGE ■ STEELCRAFT ■ VON DUPRIN



© 2019 Allegion  
 003910, Rev.12/19  
[www.allegion.com/us](http://www.allegion.com/us)



## 700 Series Pushbuttons



### Overview

Schlage pushbuttons are used to control the ingress or egress of a door. The 700 Series pushbuttons are easy to install.

Schlage 700 Series entry level pushbuttons are designed to meet commercial applications. Use with indoor swinging or sliding doors that are electrically or electronically locked. 700 Series entry level pushbuttons are available for single gang and narrow stile applications. The 709 model includes backlit buttons with "PUSH TO EXIT" or handicap symbol to meet ADA requirements.

### Features and benefits

- Illuminated 2" square large button options or 5/8" and 7/8" round button options
- Optional dual LED status indicators in green and red
- For indoor use
- Momentary switch standard or factory orderable with maintained (alternate action) switch
- Handicapped symbol option
- Single gang or narrow style faceplate cover options
- Satin stainless steel finish

---

## 700 specifications

---

### 701 Pushbutton

Contact ratings	3A @ 30VAC/VDC, momentary SPDT contacts
Wire leads	20 awg – 6" long

### 709 Pushbutton

Contact ratings	5A @ 30VAC/VDC, momentary SPDT contacts
Wire leads	20 awg – 8" long

#### Input requirements with LED option

Voltage	12/24 VDC
Current draw	30 mA
Wire leads	24 awg – 6" long

#### Input requirements with ILL option

Voltage	12 VDC for 709 series only 24 VDC for 701/709 series
---------	---

---

## Ordering information

- **701RD** - 7/8" Red mushroom button
- **701BK** - 7/8" Black mushroom button
- **701RDEX** - 5/8" Red button - engraved "PUSH TO EXIT"
- **701RDEX ILL** - 5/8" Red button – illuminated "PUSH TO EXIT"
- **709RDEX ILL** - 2" Red square - illuminated "PUSH TO EXIT"
- **709GRDEX ILL** - 2" Green square – illuminated "PUSH TO EXIT"
- **709BLH ILL** - 2" Blue square – illuminated handicapped symbol

### Options

- **L2** - Two LEDs, red and green, dual voltage for status indication
- **AA** - Alternate action – maintained (701 series only)
- **NS** - Narrow stile plate (701 series only)

Allegion, the Allegion logo, Schlage, and the Schlage logo are trademarks of Allegion plc, its subsidiaries and/or affiliates in the United States and other countries. All other trademarks are the property of their respective owners.

## About Allegion

Allegion (NYSE: ALLE) is a global pioneer in seamless access, with leading brands like CISA®, Interflex®, LCN®, Schlage®, SimonsVoss® and Von Duprin®. Focusing on security around the door and adjacent areas, Allegion secures people and assets with a range of solutions for homes, businesses, schools and institutions. Allegion had \$2.9 billion in revenue in 2019 and sells products in almost 130 countries. For more, visit [www.allegion.com](http://www.allegion.com)

KRYPTONITE ■ LCN ■  ■ STEELCRAFT ■ VON DUPRIN



© 2020 Allegion  
003911, Rev. 09/20  
[www.allegion.com/us](http://www.allegion.com/us)



## 740 Series

Emergency break glass releases



### Overview

Schlage 740 Series emergency break glass releases are designed for use as emergency releases of non-designated egress doors such as in individual and partitioned laboratories, secluded testing areas or other isolated work rooms that are purposely provided with exit doors. In perimeter protection systems that involve the central control of electric locking devices, an on-site emergency release may be required. The “break glass” concept may be preferred over the pull station, because it is less vulnerable to misuse or tamper actuation.

The 740 Series emergency break glass units consist of a replacement break glass cartridge that normally holds the plunger-activated switch depressed until the cartridge lens is broken. When the lens is broken, the plunger moves forward and alters the switch contact position. Four replacement lens disks are provided with each assembly. The small hammer is attached to the break glass assembly via a mounting clip, along with a 12" chain, to insure it will not detach from the assembly.

### Features and benefits

- Surface mount in a standard 3-gang enclosure
- Compatible with all fail-safe type electronic locking systems
- An effective alternative to the standard pull box
- Stainless steel standard finish
- Models with LED or audible alarm
- Clearly marked signage indicating purpose of the release
- Includes 4 replacement lens disks

---

## 740 specifications

---

Contact rating	6A @ 30 VDC Form Z switch
----------------	------------------------------

---

## Ordering information

- **740** – Includes break glass switch assembly and hammer mounted to a silk-screened 3-gang stainless switch plate
- **741** – With indicator light
- **742** – With Sonalert horn operating at 80 dB @ 2 feet

Allegion, the Allegion logo, Schlage, and the Schlage logo are trademarks of Allegion plc, its subsidiaries and/or affiliates in the United States and other countries. All other trademarks are the property of their respective owners.

### About Allegion

Allegion (NYSE: ALLE) is a global pioneer in seamless access, with leading brands like CISA®, Interflex®, LCN®, Schlage®, SimonsVoss® and Von Duprin®. Focusing on security around the door and adjacent areas, Allegion secures people and assets with a range of solutions for homes, businesses, schools and institutions. Allegion had \$2.9 billion in revenue in 2019 and sells products in almost 130 countries. For more, visit [www.allegion.com](http://www.allegion.com)

KRYPTONITE ■ LCN ■  ■ STEELCRAFT ■ VON DUPRIN



© 2020 Allegion  
003906, Rev. 09/20  
[www.allegion.com/us](http://www.allegion.com/us)



## 660 Series

Mini station control



### Overview

The 660 Series mini station control is designed for concealed desk application, and it is used to release an electric or electronic locking mechanism from a remote location. The 660 Series mini station control is mounted in a mini aluminum box, 2" x 2" x 1". The 660 is available with a momentary action pushbutton or maintained action toggle switch. Both can be surface mounted. A typical application is under a desk to release an entrance door.

### Features and benefits

- Surface mount application
- Choice of maintained or momentary action
- Compact size
- Recommended for concealed desk application

---

## Specifications

---

Switch contact rating	6 amp @ 120 VAC
Length	2"
Width	2"
Height	1"

---

## Ordering information

- **660-T4** - SPDT maintained toggle
- **660-PB** - SPDT momentary pushbutton

Allegion, the Allegion logo, Schlage, and the Schlage logo are trademarks of Allegion plc, its subsidiaries and/or affiliates in the United States and other countries. All other trademarks are the property of their respective owners.

### About Allegion

Allegion (NYSE: ALLE) is a global pioneer in seamless access, with leading brands like CISA®, Interflex®, LCN®, Schlage®, SimonsVoss® and Von Duprin®. Focusing on security around the door and adjacent areas, Allegion secures people and assets with a range of solutions for homes, businesses, schools and institutions. Allegion had \$2.9 billion in revenue in 2019 and sells products in almost 130 countries. For more, visit [www.allegion.com](http://www.allegion.com)

KRYPTONITE ■ LCN ■  ■ STEELCRAFT ■ VON DUPRIN



© 2020 Allegion  
003912, Rev. 09/20  
[www.allegion.com/us](http://www.allegion.com/us)



# 650 Series

## Keyswitches



### Overview

Schlage 650 Series keyswitches utilize an innovative magnetic spring design which allows installers to configure both clockwise and counterclockwise key turn direction as well as momentary or maintained action in seconds. Single gang and narrow stiles are available with numerous options which include heavy-duty plate, weather resistant cover (single gang size only), 2 LED lights – green/red, anti-tamper switch and Schlage Everest cylinder. In addition to the standard (630) satin stainless steel finish, there are five additional architectural finishes to choose from.

### Features and benefits

- Easy to install and maintain
- Single gang and narrow stile offer ultimate flexibility
- Multiple options
- Patented magnetic spring design allows installers to configure momentary to maintained action in seconds
- Available options include red/green LED lights, anti-tamper switch and Schlage Everest cylinder
- Available water-resistant cover
- Single pole, double throw or double pole, double throw in both maintained and momentary action with a variety of combinations
- Standard 630 satin stainless steel plate with 5 additional finish options on heavy-duty zinc plate
- Standard or narrow stile cover options



# Specifications

Innovative magnetic spring technology allows installers to configure models in seconds

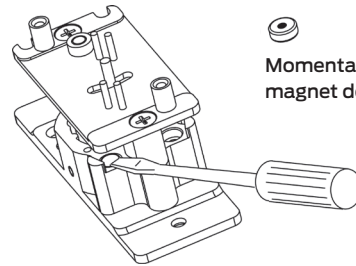
## Standard keyswitch

- 5 amp @ 30 VDC
- SPDT contacts

ATS switch closes when cover is on 0.025A@28VDC

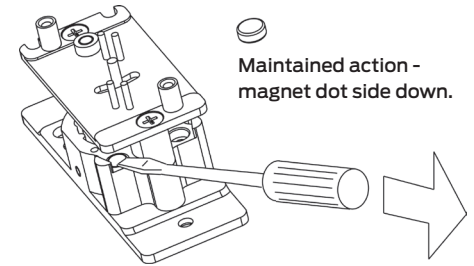
LED indicator lights operate at 12/24 VDC 0.500A @ 30VDC

### Momentary action



Momentary action -  
magnet dot side up.

### Maintained action



Maintained action -  
magnet dot side down.

# Ordering information

- **653-04** - SPDT maintained single direction
- **653-05** - SPDT momentary single direction
- **653-14** - DPDT maintained single direction
- **653-15** - DPDT momentary single direction
- **653-1414** - (2) DPDT maintained bi-direction
- **653-1415** - DPDT maintained x DPDT momentary
- **653-1515** - (2) DPDT momentary bi-direction
- **653-041** - SPDT maintained x key remove one position
- **653-0404** - (2) SPDT maintained bi-direction
- **653-0405** - SPDT maintained x SPDT momentary
- **653-141** - DPDT maintained x key remove one position
- **653-0505** - (2) SPDT momentary bi-direction

## Options

- **L2** - Two LEDs (red/green), dual voltage
- **NS** - Narrow stile - stainless steel plate (1 3/4" x 4 1/2")
- **ATS** - Anti-tamper switch
- **WP** - Weather-resistant cover fits 1 1/8" cylinder only (not available with NS and L2 options)
- **CYL** - 1 1/4" Schlage Everest® mortise cylinder and 1/8" spacer ring (keyed different)
- **CYL-KA** - 1 1/4" Schlage Everest mortise cylinder and 1/8" spacer ring (keyed alike)

## Finishes

- **630** - Satin finish on .035 stainless steel (standard)
- **SF-626** - Satin chrome on heavy-duty zinc
- **SF-605** - Bright brass on heavy-duty zinc
- **SF-612** - Satin bronze on heavy-duty zinc
- **SF-613** - Oil rubbed bronze on heavy-duty zinc
- **SF-625** - Bright chrome on heavy-duty zinc

Note: 650 Series keyswitches operate with either a 1 1/8", 1 1/4", 1 3/8", or 1 1/2" cylinder having a straight type cam.

- 1 1/8" mortise cylinder fits direct in key switch - no blocking ring required.
- 1 1/4" cylinders require a 1/8" blocking/spacer ring, Schlage part number 36-079-012 or equivalent (included with the CYL and CYL-KA options).
- 1 3/8" mortise cylinder housing for SFIC cores - requires 1/4" blocking ring Schlage part number 36-079-025 or equivalent.
- 1 1/2" mortise cylinder housing for FSIC cores - requires 3/8" blocking ring Schlage part number 36-079-037 or equivalent.

All cylinders, except 1 1/4" as CYL or CYL-KA options, must be ordered separately.

Allegion, the Allegion logo, Schlage, and the Schlage logo are trademarks of Allegion plc, its subsidiaries and/or affiliates in the United States and other countries. All other trademarks are the property of their respective owners.

## About Allegion

Allegion (NYSE: ALLE) is a global pioneer in seamless access, with leading brands like CISA®, Interflex®, LCN®, Schlage®, SimonsVoss® and Von Duprin®. Focusing on security around the door and adjacent areas, Allegion secures people and assets with a range of solutions for homes, businesses, schools and institutions. Allegion had \$2.9 billion in revenue in 2019 and sells products in almost 130 countries. For more, visit [www.allegion.com](http://www.allegion.com)

KRYPTONITE ■ LCN ■  ■ STEELCRAFT ■ VON DUPRIN



© 2020 Allegion  
003907, Rev. 09/20  
[www.allegion.com/us](http://www.allegion.com/us)



## 672 Series

TouchBar



### Overview

The 672 TouchBar is a request-to-exit device which releases electronic locking devices, most commonly electromagnetic locks when the bar is depressed. The "PUSH TO EXIT" signage provides an obvious exit indication for building occupants and the simplified design allows for reversing the signage in the field. The new pivoting bar design allows 1/4" activation and the 2 1/4" low profile provides ample clearance through the door - notably less than others in the industry.

The 672 TouchBar request-to-exit device is easy to install and simple to wire. The device's rugged cast ramped end caps deflect blows and provide extra durability.

- 1/4" Movement activates immediate release
- Standard Double Pole, Double Throw switch utilized

### Features and benefits

- 1/4" movement of bar activates immediate release
- Large "PUSH TO EXIT" lettering provides obvious exit indication with glow-in-the-dark option
- Low profile provides ample clearance through the door
- Releases electromagnetic or electrified locks when bar is depressed
- Left- or right-hand reverse (field reversible)
- Field sized or orderable for 36", 42" or 48" doors
- For aluminum, hollow metal and wood doors
- Pivoting bar design allows 1/4" activation
- Heavy-duty aluminum extrusion with powder coat cast metal end caps for maximum durability
- Quick installation brackets/universal mounting system

---

## 672 TouchBar electrical specifications

---

Input voltage	12 or 24 VDC maximum current draw .25 amps
Switch	DPDT contacts rated 4 amps @ 30 VDC
Wiring	6 conductor cable - 20 AWG (standard)

---

## Ordering information

### Models

- **672 RD** - Black with red "PUSH TO EXIT"
- **672 GID** - Black with glow in the dark "PUSH TO EXIT"

### Door size

- 36", 42" or 48"

### Finishes

- **628** - Satin anodized aluminum (standard)
- **313** - Dark satin bronze anodized aluminum

### Handing

- **RHR** - Right hand reverse
- **LHR** - Left hand reverse -field reversible

### Options

- **WD** - Through bolt door kit for heavy-duty wood door and hollow metal door applications
- **AR** - 18" x 1/2" armored door cord (less wire)
- **SHK** - Aluminum door mounting shim kit includes brackets, shims and screws for narrow stile aluminum doors.\*

\* Note: Screw pack has self-drilling and self-tapping screws for aluminum and wood door applications and rivnuts for hollow metal door applications.

Allegion, the Allegion logo, Schlage, and the Schlage logo are trademarks of Allegion plc, its subsidiaries and/or affiliates in the United States and other countries. All other trademarks are the property of their respective owners.

## About Allegion

Allegion (NYSE: ALLE) is a global pioneer in seamless access, with leading brands like CISA®, Interflex®, LCN®, Schlage®, SimonsVoss® and Von Duprin®. Focusing on security around the door and adjacent areas, Allegion secures people and assets with a range of solutions for homes, businesses, schools and institutions. Allegion had \$2.9 billion in revenue in 2019 and sells products in almost 130 countries. For more, visit [www.allegion.com](http://www.allegion.com)

KRYPTONITE ■ LCN ■  ■ STEELCRAFT ■ VON DUPRIN



© 2020 Allegion  
003909, Rev. 9/20  
[www.allegion.com/us](http://www.allegion.com/us)



## 692 Series

SmartBar™



### Overview

The 692 SmartBar is an electronic switching device with no moving parts, which serves as a non-latching request-to-exit device. It allows one motion egress at doors equipped with an electronic locking device, most commonly an electromagnetic lock, with “no prior knowledge” required by the user. Touching the SmartBar at any point on the bar activates internal circuitry which controls power to the locking device. No moving parts results in low maintenance and long life.

The 692 SmartBar provides two directionally opposed infrared detection circuits to sense an exit request. As a person touches the bar, the light beam is broken. The redundant system provides a high level of life safety and peace of mind to the end user.

An audible alarm is standard. This feature provides a security alarm to alert when there is a prolonged unlocked condition caused by a continued break in the light beam. This feature is desirable in applications requiring monitoring of security conditions or delayed egress.

- Dual Infrared detection circuits
- No moving parts – one motion egress
- Audible alarm standard, alerts prolonged unlock condition
- Standard Double Pole, Double Throw switch utilized

### Features and benefits

- Infrared detection along bar releases locking device when light beam is broken
- One motion egress when installed with electromagnetic or electrified locks
- Large “PUSH TO EXIT” lettering provides obvious exit indication with glow-in-the-dark option
- Low profile provides ample clearance through the door
- Audible alarm is standard
- Left- or right-hand reverse (field reversible)
- Field sized or orderable for 36”, 42” or 48” doors
- For aluminum, hollow metal and wood doors
- No moving parts for low maintenance and long life
- Heavy-duty aluminum extrusion with cast metal end caps for maximum durability
- Quick installation brackets/universal mounting system

---

## 692 SmartBar electrical specifications

---

Input voltage	12 or 24 VDC maximum current draw .5 amps
Switch	DPDT contacts rated 4 amps @ 30 VDC
Wiring	8 conductor cable - 20 AWG (standard)

---

## Ordering information

### Models

- **692 RD** - Black with red "PUSH TO EXIT"
- **692 GID** - Black with glow in the dark "PUSH TO EXIT"

### Door size

- 36", 42" or 48"

### Finishes

- **628** - Satin anodized aluminum (standard)
- **313** - Dark satin bronze anodized aluminum

### Handing

- **RHR** - Right hand reverse
- **LHR** - Left hand reverse - field reversible

### Options

- **WD** - Through bolt door kit for heavy-duty wood door and hollow metal door applications
- **SHK** - Aluminum door mounting shim kit includes brackets, shims and screws for narrow stile aluminum doors.\*

\* Screw pack has self-drilling and self-tapping screws for aluminum and wood door applications and rivnuts for hollow metal door applications.

Note: 18" x 1/2" armored door cord shipped standard.

Allegion, the Allegion logo, Schlage, and the Schlage logo are trademarks of Allegion plc, its subsidiaries and/or affiliates in the United States and other countries. All other trademarks are the property of their respective owners.

## About Allegion

Allegion (NYSE: ALLE) is a global pioneer in seamless access, with leading brands like CISA®, Interflex®, LCN®, Schlage®, SimonsVoss® and Von Duprin®. Focusing on security around the door and adjacent areas, Allegion secures people and assets with a range of solutions for homes, businesses, schools and institutions. Allegion had \$2.9 billion in revenue in 2019 and sells products in almost 130 countries. For more, visit [www.allegion.com](http://www.allegion.com)

KRYPTONITE ■ LCN ■  ■ STEELCRAFT ■ VON DUPRIN



© 2020 Allegion  
003904, Rev. 09/20  
[www.allegion.com/us](http://www.allegion.com/us)

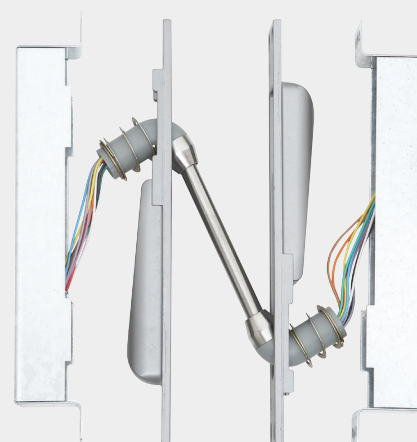
VON DUPRIN®

## Electrical power transfer

### Overview

Electric power transfer provides a means of transferring electrical power from a door frame to the edge of a swinging door. The units are completely concealed when the door is in the closed position, and are ideally suited for installations involving abuse or heavy traffic.

Two models are available; EPT-2, two 18 gauge wires and EPT-10, ten 24 gauge wires.



### Features and benefits

- UL Listed for use on fire doors
- UL listed as Miscellaneous Door Accessory
- Ball-and-socket joint construction provides cut and pinch protection for wiring
- Built for heavy traffic and high abuse openings
- EPT-2 and EPT-10 are UL634, ULC/ORD C634 and UL10C/CAN-ULC-S104 certified
- PNT-1 is UL10C/CAN-ULC-S104 certified

## Door applications

- Up to 5" butt hinges – 180° swing.
- 5 1/2" butt hinges – 130° swing.
- 6" butt hinges – 110° swing.
- 3/4" offset pivots – 180° swing.

Not for use with swing clear hinges, center-hung pivots, pocket pivots or balanced doors.

Door applications shown are for 1 3/4" door thickness, for all other applications contact Technical Support to confirm compatibility.

## Finishes

- SP28 (sprayed aluminum)
- SP313 (sprayed duranodic)

---

### Dimensions

---

Housing	9" X 1 1/4" X 1 5/8" (229mm X 32mm X 38mm)
EPT-2	Two 18 gauge wires, up to 2 AMPS @ 24VDC, with a 16 AMPS maximum surge
EPT-10	Ten 24 gauge wires, up to 1 AMPS @ 24VDC, with a 16 AMPS maximum surge
PNT-1	5/32" tubing

---

### To order, specify

- **EPT-2, EPT-10 or PNT-1.**
- **Finish, SP28 or SP313.**

## About Allegion

Allegion (NYSE: ALLE) is a global pioneer in safety and security, with leading brands like CISA®, Interflex®, LCN®, Schlage®, SimonsVoss® and Von Duprin®. Focusing on security around the door and adjacent areas, Allegion produces a range of solutions for homes, businesses, schools and other institutions. Allegion is a \$2 billion company, with products sold in almost 130 countries. For more, visit [www.allegion.com](http://www.allegion.com).

KRYPTONITE ■ LCN ■  ■ STEELCRAFT ■ VON DUPRIN



© 2019 Allegion  
010106, Rev. 12/19  
[www.allegion.com/us](http://www.allegion.com/us)

IVES®

## Electrified hinges



### Overview

Ives offers electrification options on a wide variety of our 3 knuckle and 5 knuckle hinges, including standard and heavy weight. These hinges transfer power and signals from the frame to the door. Electrified hinges hide wiring from view to provide a more pleasing aesthetic and a more secure application.

Electrified hinges integrate seamlessly with your access control system and your door mounted electrified hardware.

Ives electrified offering comes standard with Allegion Connect, a quick and easy way to connect power sources for the entire opening. With no wire cutting needed, you can reduce installation and maintenance time, ultimately cutting cost. After installation, Allegion Connect continues to provide benefits throughout the lifetime of the opening by offering a comprehensive service kit.

For more information about the Allegion Connect offering, contact customer support at 877-671-7011.

### Features and benefits

- Electrified hinge available in 3 and 5 knuckle
- High quality brass ferrules and plastic tubing protect the wires
- Comes standard with Allegion Connect 8-pin connectors
- Available in four wire (TW4), eight wire (TW8) and twelve wire (TW12)
- Through-wire hinges cycle tested to ensure durability
- UL Listed - UL634
- Certified to ANSI/BHMA A156.1

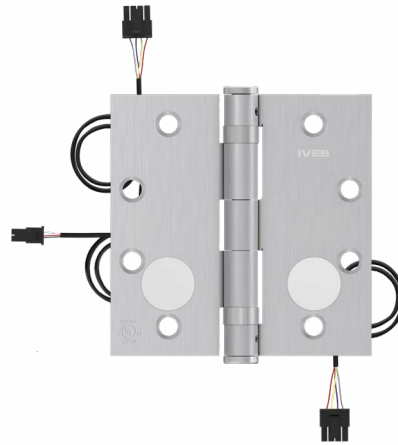


## Available options

- **Through-wire** – TW4 (4 wires), TW8 (8 wires), and TW12 (12 wires)
- **Monitor** – MON
- **Through-wire with monitor** – TW4M and TW8M

Through-wire is rated for 50 volts AC/DC at 3.5 AMP continuous and 16 AMP pulse, maximum pulse 400 milli second.

Monitor rated 30VDC at .25 AMP.



Features 5BB1 hinge and the through-wire 8 with monitor (TW8M)

## Finishes

### Brass

Ives finish	US3	US4	US10	US10B	US10A	US11	US11E	US15	US19	US26	US26D
BHMA	605	606	612	613	614	616	B643e / 716	619	B-BLK	625	626

### Steel

Ives finish	USP	US3	US4	US10	US10B	US10A	US11	US11E	US15	US19	US26	US26D
BHMA	600	632	633	639	640	641	643	F643e / 716	646	F-BLK	651	652

### Stainless steel

Ives finish	US32	US32D
BHMA	629	630

For more information, such as install instructions and templates, visit the [Allegion website](https://www.allegion.com).

Allegion, the Allegion logo, Ives and the Ives logo are trademarks of Allegion plc, its subsidiaries and/or affiliates in the United States and other countries. All other trademarks are the property of their respective owners.

## About Allegion

Allegion (NYSE: ALLE) is a global pioneer in seamless access, with leading brands like CISA®, Interflex®, LCN®, Schlage®, SimonsVoss® and Von Duprin®. Focusing on security around the door and adjacent areas, Allegion secures people and assets with a range of solutions for homes, businesses, schools and institutions. Allegion had \$2.9 billion in revenue in 2019 and sells products in almost 130 countries. For more, visit [www.allegion.com](https://www.allegion.com)

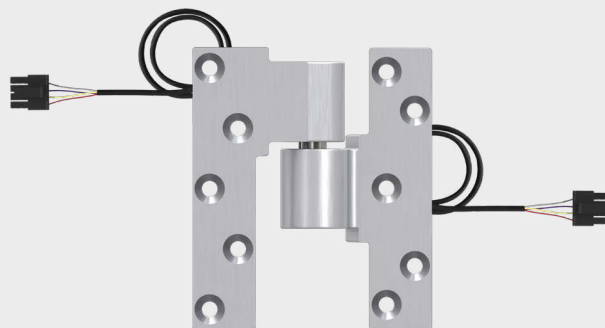
KRYPTONITE ■ LCN ■  ■ STEELCRAFT ■ VON DUPRIN



© 2020 Allegion  
010116, Rev. 10/20  
[www.allegion.com/us](https://www.allegion.com/us)

IVES®

## Power transfer pivots



### Overview

Ives offers electrified intermediate power transfer pivots and electrified pocket pivots to transfer power and signals from the frame to the door. Pivots are generally used on heavier exterior door applications.

Power transfer pivots integrate seamlessly with your access control system and your door mounted electrified hardware.

The Ives electrified offering comes standard with Allegion Connect, a quick and easy way to connect power sources for the entire opening. With no wire cutting needed, you can reduce installation and maintenance time, ultimately cutting cost. After installation, Allegion Connect continues to provide benefits throughout the lifetime of the opening by offering a comprehensive service kit.

For more information about the Allegion Connect offering, contact customer support at 877-671-7011.

### Features and benefits

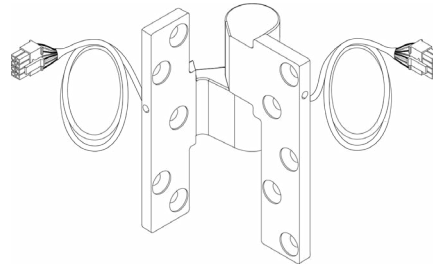
- Available in four wire (TW4) or eight wire (TW8), 28 gauge
- Comes standard with Allegion Connect 8-pin Connector
- Recommended use: VDC or VAC @ 3.5 amps continuous or 16 amp pulse, maximum pulse 400 milliseconds
- Non-load bearing
- Use with 1 3/4" thick door minimum, 1/8" bevel in 2"

## Models and additional specifications

### 7215PT-7226PT-7227PT INT 3/4"

#### Offset Power Transfer intermediate pivot

- For use with 7215, 7226, 7227 offset pivots
- Offered in brass substrate
- UL Listed, 20-minute fire doors
- Handed LH or RH
- Finishes: 605, 606, 612, 619, BLK/622, 625, 626, 643e, SP28, SP10, SP313, SP4



### 7215FPT-7226FPT-7227FPT INT 3/4"

#### Offset Power Transfer intermediate pivot, fire rated

- For use with 7215F, 7226F, 7227F offset pivots
- Offered in stainless steel substrate
- UL Listed, 3-hour fire doors
- Handed LH or RH
- Finishes: 629, 630, 631, 632, 639, 643e, SP28, SP10, SP313, SP4

### 7230FPT-7237FPT INT 3/4"

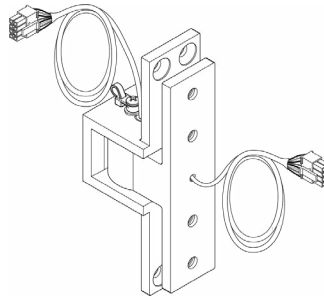
#### Offset Power Transfer intermediate pivot

- For use with 7230F, 7237F offset pivots
- Offered in stainless steel substrate
- UL Listed, 3-hour fire doors
- Handed LH or RH
- Finishes: 629, 630, BLK/631, 632, 639, 643e, SP28, SP10, SP313, SP4

### E91105F

#### Pocket Pivot/Hinge, power transfer, fire rated

- For use with 7220F, 7237F offset pivots
- Full Mortise, non-load bearing
- Offered in stainless steel substrate
- UL Listed, 3-hour fire doors
- Finishes: 600, 629, 630, 632, 639, 643e, SP313



For more information, such as install instructions and templates, visit the [Allegion website](https://www.allegion.com).

Allegion, the Allegion logo, Ives and the Ives logo are trademarks of Allegion plc, its subsidiaries and/or affiliates in the United States and other countries. All other trademarks are the property of their respective owners.

## About Allegion

Allegion (NYSE: ALLE) is a global pioneer in seamless access, with leading brands like CISA®, Interflex®, LCN®, Schlage®, SimonsVoss® and Von Duprin®. Focusing on security around the door and adjacent areas, Allegion secures people and assets with a range of solutions for homes, businesses, schools and institutions. Allegion had \$2.9 billion in revenue in 2019 and sells products in almost 130 countries. For more, visit [www.allegion.com](https://www.allegion.com)

KRYPTONITE ■ LCN ■  ■ STEELCRAFT ■ VON DUPRIN



© 2020 Allegion  
010117, Rev. 10/20  
[www.allegion.com/us](https://www.allegion.com/us)



## 788/798 Series Armored door cords

### Overview

Used when installing electric exit devices or electrified locks, armored door cords provide a simple and economical solution for transferring power from frame to door. Schlage flexible door cords are offered in two lengths each with options for less wires or including four, 20 gauge conductor wires (red, green, white and black).



### Features and benefits

- ANSI/UL 10C, CAN/ULC-S104-15

# Specifications

## Acceptable wire size combinations

- Five 18 gauge
- Two 18 gauge and four 20 gauge
- Two 18 gauge and seven 22 gauge
- Seven 20 gauge
- Twelve 22 gauge

## $\frac{5}{16}$ " interior diameter; $\frac{3}{8}$ " outside diameter flexible door cord

- **788-12** - 12" x  $\frac{3}{8}$ " less wires (inswinging)
- **788C-12** - 12" x  $\frac{3}{8}$ " with four 20 gauge, 20" long conductor wires (red, green, white, black)
- **788-18** - 18" x  $\frac{3}{8}$ " less wires (outswinging)
- **788C-18** - 18" x  $\frac{3}{8}$ " with four 20 gauge, 26" long conductor wires (red, green, white, black)

## $\frac{3}{8}$ " interior diameter; $\frac{1}{2}$ " outside diameter flexible door cord

Acceptable wire size combinations

- **798-12** - 12" x  $\frac{1}{2}$ " less wires (inswinging)
- **798C-12** - 12" x  $\frac{1}{2}$ " with four 20 gauge, 20" long conductor wires (red, green, white, black)
- **798-18** - 18" x  $\frac{1}{2}$ " less wires (outswinging)
- **798C-18** - 18" x  $\frac{1}{2}$ " with four 20 gauge, 26" long conductor wires (red, green, white, black)

## Certification:

- **UL 10 C**

Allegion, the Allegion logo, Schlage and the Schlage logo are trademarks of Allegion plc, its subsidiaries and/or affiliates in the United States and other countries. All other trademarks are the property of their respective owners.

## About Allegion

Allegion (NYSE: ALLE) is a global pioneer in safety and security, with leading brands like CISA®, Interflex®, LCN®, Schlage®, SimonsVoss® and Von Duprin®. Focusing on security around the door and adjacent areas, Allegion produces a range of solutions for homes, businesses, schools and other institutions. Allegion is a \$2 billion company, with products sold in almost 130 countries. For more, visit [www.allegion.com](http://www.allegion.com).

**KRYPTONITE** ■ **LCN** ■ **SCHLAGE** ■ **STEELCRAFT** ■ **VON DUPRIN**



© 2019 Allegion  
005006, Rev.12/19  
[www.allegion.com/us](http://www.allegion.com/us)



## 800/801 Series

Remote and local monitoring stations



### 800 Series

#### Local and remote monitoring station

The 800 Series monitoring stations can provide monitoring for a single zone with choice of audible or visual monitoring.

### 801 Series

#### Local and remote monitoring station

The 801 unit includes an audible and visual indication of lock status and delay activation. Interfaces with electromagnetic locks with magnetic bond sensor (MBS) option. Unit mounts in a standard single gang electrical box.

The 801-KS fulfills a code requirement stating that a local signal assures users that a delayed egress system is functional. The unit includes an audible and visual indication of lock status and delay activation. Provides a Single Pole, Double Throw (SPDT) momentary x SPDT maintained contact arrangement keyswitch for legal release and reset of the system, which interfaces with a standard 1 1/4" mortise cylinder with standard straight cam. Option to interface with electromagnetic locks with Magnetic Bond Sensor (MBS). Unit mounts in a standard double gang electrical box.

### Features and benefits

- 800 Series local and remote monitoring stations
  - 800L1 with one LED indicator (red, green or amber)
  - 800L2 with two LED indicators (red, green or amber) (photo)
  - 800A horn monitor, 70 dB @ 2 ft
- 801 Series local and remote monitoring stations
  - 801 with three LED indicators and horn monitor, 70 dB @ 2 ft
  - 801KS with LED indicators, horn monitor and keyswitch (photo)

---

## 800 specifications

LED Operating power	12-24 VDC
LED current draw	3-14 mA ea.
Audible input	10-28 VDC
Audible current draw	3-14 mA
Decibel rating	70 dB @ 2 ft
Single gang unit	
Width	2 3/4"
Depth	1 1/8"
Height	4 1/2"
Finish	Stainless steel
800L1	One (1) LED Indicator - red, green, and amber
800L2	Two (2) LED Indicators - red, green, and amber
800A	Audible sounder

---

## 801 specifications

LED Operating power	12-24 VDC
LED current draw	3-14 mA ea.
Audible input	10-28 VDC
Audible current draw	3-14 mA
Decibel rating:	70 dB @ 2 ft
Single gang unit	
801* Local or remote monitoring system	
Width	2 3/4"
Depth	1 1/8"
Height	4 1/2"
Finish	Stainless steel
Double gang unit	
801-KS* local or remote monitoring system with keyswitch (less cylinder)	
Width	4 9/16"
Depth	1 15/16"
Height	4 1/2"
Finish	Stainless steel
Keyswitch contacts	5 Amp @ 30 VDC

\*Note: 801/801-KS requires MBS on locking device.

Allegion, the Allegion logo, Schlage, and the Schlage logo are trademarks of Allegion plc, its subsidiaries and/or affiliates in the United States and other countries. All other trademarks are the property of their respective owners.

## About Allegion

Allegion (NYSE: ALLE) is a global pioneer in seamless access, with leading brands like CISA®, Interflex®, LCN®, Schlage®, SimonsVoss® and Von Duprin®. Focusing on security around the door and adjacent areas, Allegion secures people and assets with a range of solutions for homes, businesses, schools and institutions. Allegion had \$2.9 billion in revenue in 2019 and sells products in almost 130 countries. For more, visit [www.allegion.com](http://www.allegion.com)

KRYPTONITE ■ LCN ■  ■ STEELCRAFT ■ VON DUPRIN



© 2020 Allegion  
005007, Rev. 09/20  
[www.allegion.com/us](http://www.allegion.com/us)



# 8200 Series

## Consoles



### Overview

Schlage 8200 Series desk consoles provide door control and monitoring for up to eight zones. Designed to meet a wide range of security requirements, the 8200 Series can control and monitor electric strikes, electromagnetic locks, electromechanical exit devices or other electric locks. The console can also be used for surveillance of monitoring devices.

The circuit boards inside the console are shipped for four or eight zone applications. This design allows for momentary or maintained switch operation. Pushbuttons control and monitor assigned zones, and a signaling horn provides an audible alert of any conditions change that is associated with the red indicator lamp. Console control can be disabled with the security keyswitch.

### Features and benefits

- Slope front design, with anodized face plate and durable housing
- Each station provides maintained or momentary Single Pole, Double Throw (SPDT) pushbutton switch
- Red and green indicator lamps
- Security keyswitch
- Signaling horn
- Alarm reset button
- 24 VDC operation



## System design guide

There are a number of applications where an 8200 Series Console is used to monitor and control multiple door openings. It is ideal for use at a guard or nurse station. (An example of a riser diagram for a two door nurse's station console is shown below.)

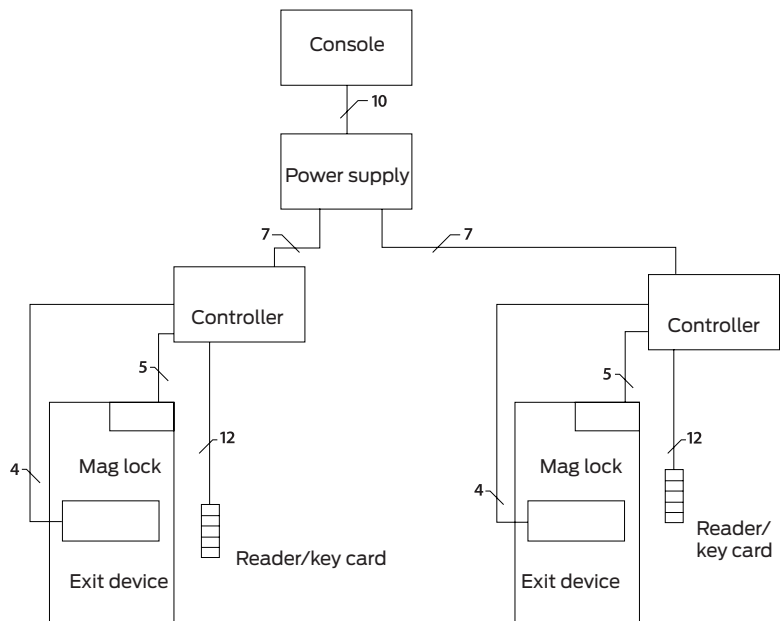
## Description of system operation

Two single doors, each normally closed and secured by a magnetic lock. Magnetic lock to include Magnetic Bond Sensor (MBS) for remote monitoring of secure/not-secure condition. Legal access to be provided by keypad system. Egress to be provided by touch sensitive exit bars. Remote control and monitoring to be by a slope front desktop console. Each of two stations shall provide a momentary pushbutton switch for legal release, a red indicator for "not-secure" condition and a green indicator for "secure" condition.

## Specifications

Switches (momentary or maintained)	1.0 amps 24 VDC
Lamps #85 red/green	40 mA @24 VDC
Terminal block	18/22 gauge wire
Alarm output	0.5 amps @ 24 VDC (breaker protected)
Temperature range	32° to 120°F (0° to 49°C)
Input voltage	24 VDC, +/- 15%

## Riser diagram



## Ordering information

Last digit indicates number of zones

**4 station console**  
**8204**

**8 station console**  
**8208**

### Pushbutton function

- Select pushbutton function by zone.
- Select M (momentary) or A (alternate action, maintain) for each zone.

	1	2	3	4	5	6	7	8
8204	-	-	-	-	-	-	-	-
8208	-	-	-	-	-	-	-	-

### Accessories

Field installable push buttons

- 8200MS – Momentary switch assembly
- 8200AS – Alternate action (maintained) switch assembly

## About Allegion

Allegion (NYSE: ALLE) is a global pioneer in seamless access, with leading brands like CISA®, Interflex®, LCN®, Schlage®, SimonsVoss® and Von Duprin®. Focusing on security around the door and adjacent areas, Allegion secures people and assets with a range of solutions for homes, businesses, schools and institutions. Allegion had \$2.9 billion in revenue in 2019 and sells products in almost 130 countries. For more, visit [www.allegion.com](http://www.allegion.com)

KRYPTONITE ■ LCN ■  ■ STEELCRAFT ■ VON DUPRIN



© 2020 Allegion  
005004, Rev. 09/20  
[www.allegion.com/us](http://www.allegion.com/us)



## Scan II™

Passive infrared  
motion sensors



### Overview

The Scan II™ is a compact, passive infrared detector specifically designed for “request-to-exit” applications. It features adjustable relay latch time, an externally visible activation LED, and two form “C” relays.

The high-impact ABS plastic enclosure in black or white comes apart in 3 pieces for easy mounting and lock-in-place scanner angle adjustment. Internal angle setting marks aide optimal coverage configuration for both wall and ceiling mounting. Mounting height is 7 to 15 feet allowing coverage area of the Scan II sensor of up to 8 by 10 ft (2.4 m by 3 m).

### Features and benefits

- Adjustable relay latch time from 0.5 to 64 seconds
- Field-selectable fail safe/fail secure
- Included pattern masking kit snaps in place to narrow scan field and help prevent unwanted activations
- Activation LED is visible at a distance and can be configured to OFF as needed
- Intended for indoor use only
- Wall or ceiling mounted with lock-in-place angle adjustment
- UL294 and ULC-S319, Class 1 listed by manufacturer
- High-impact ABS plastic enclosure and internal electronics can endure temperatures of -20° to 120°F
- Inconspicuous unit is only 1.5" x 6.25" x 1.5" in either black or white

# Specifications

## Models

- Scan II-B: black with externally visible activation LED
- Scan II-W: white with externally visible activation LED

## Power requirements

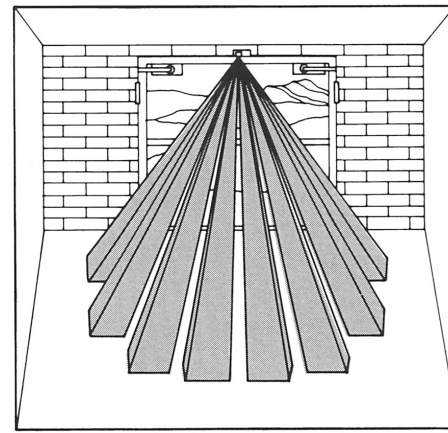
- 12/24 VDC: 35 mA @ 12 VDC; 38 mA @ 24 VDC when activated
- 12/24 VAC: 42 mA @ 12 VAC; 48 mA @ 24 VAC when activated
- 38 mAh required for standby operation (no internal standby battery)

## Relay

- Two form "C" relay contacts rated 2.0 Amp @ 30 VDC or VAC maximum for DC resistive loads

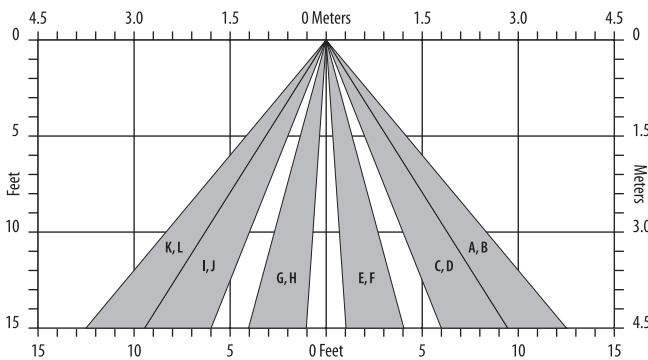
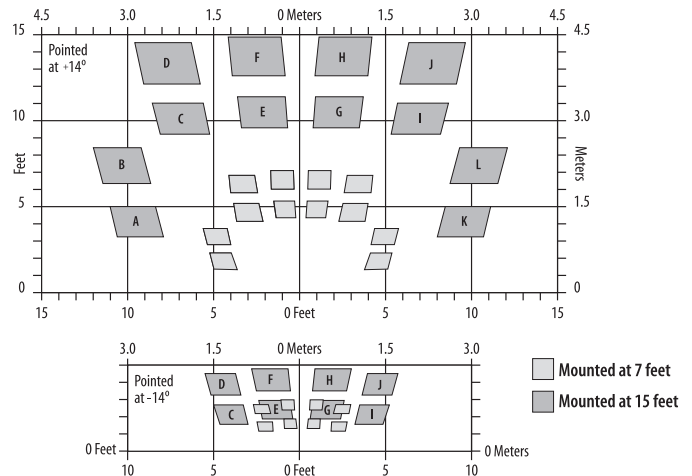
## Installation options

- Adjustable relay latch time from 0.5 to 64 seconds
- Relay mode can be programmed to reset when timer expires or remain activated until motion stops
- Field-selectable fail safe/fail secure
- Mounting height of 7 to 15 feet (indoors only)
- Lock-in-place pattern adjustment is +/- 14° with separate settings for wall vs. ceiling application

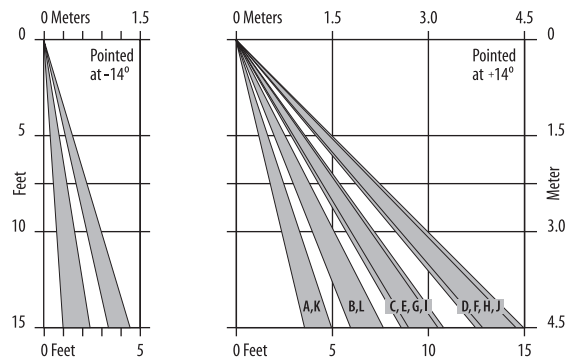


## Standard pattern

Shown wall mounted, angled 14° down.



## Front view



## Side view

Allegion, the Allegion logo, Schlage, and the Schlage logo are trademarks of Allegion plc, its subsidiaries and/or affiliates in the United States and other countries. All other trademarks are the property of their respective owners.

## About Allegion

Allegion (NYSE: ALLE) is a global pioneer in safety and security, with leading brands like CISA®, Interflex®, LCN®, Schlage®, SimonsVoss® and Von Duprin®. Focusing on security around the door and adjacent areas, Allegion produces a range of solutions for homes, businesses, schools and other institutions. Allegion is a \$2 billion company, with products sold in almost 130 countries. For more, visit [www.allegion.com](http://www.allegion.com).





## 1910 Series

Electronic horns



### Overview

Electric horns are designed for use as an immediate local audible warning device incorporated in a security system. 1910 celica horns have six combinations of volume using continuous or intermittent tone that are easy to configure. Latching models can be set up to sound when a door latchbolt retracts or the door opens. Strobe light models are also available.

Units are flush (partially recessed) or surface mounted using a 4" black box and attached using two #8-32 X 3/4" screws. Surface and flush mounting kits are included with all horns.

### Features and benefits

- Latching models alarm upon the latch release or opening of a connected door
- Audible warning has six combinations of volume using intermittent or continuous tone with loudest tested to 102 dba
- Strobe option adds visual warning indication
- Intended for indoor use only
- Flush mount to wall over a standard one- or two-gang electrical box
- Surface mount using pull through wiring and the backbox kit included with the product
- Horn shell and trim skirt in off-white
- Unit dimensions: 4<sup>3</sup>/<sub>4</sub>"W x 5<sup>1</sup>/<sub>2</sub>"H

# Specifications

## Models

- 1910-1: 12/24 VDC horn
- 1910S-1: 24 VDC horn with strobe
- L1910-1: 24 VDC horn with latching
- L1910S-1: 24 VDC horn with strobe and latching

## Power requirements

- Less than 14 mA @ 12 VDC
- Less than 28 mA @ 24 VDC
- Less than 71 mA @ 24 VDC with strobe

## Other

- Operating temperature: 32°F to 120°F
- Anechoic chamber tested @30 V 102 dba
- UL reverberant room tested @30 V 88 dba

Allegion, the Allegion logo, Schlage, and the Schlage logo are trademarks of Allegion plc, its subsidiaries and/or affiliates in the United States and other countries. All other trademarks are the property of their respective owners.

## About Allegion

Allegion (NYSE: ALLE) is a global pioneer in safety and security, with leading brands like CISA®, Interflex®, LCN®, Schlage®, SimonsVoss® and Von Duprin®. Focusing on security around the door and adjacent areas, Allegion produces a range of solutions for homes, businesses, schools and other institutions. Allegion is a \$2 billion company, with products sold in almost 130 countries. For more, visit [www.allegion.com](http://www.allegion.com).

KRYPTONITE ■ LCN ■  ■ STEELCRAFT ■ VON DUPRIN



© 2019 Allegion  
003905, Rev. 12/19  
[www.allegion.com/us](http://www.allegion.com/us)



# Door position switches



674-OH

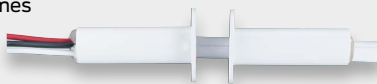
Overhead door, floor mount magnetic switch

## Overview

Door position switches are used to detect the open or closed status of an opening and then send this status to a control panel. They come in a variety of shapes and sizes and are designed for monitoring door positions, roof hatches, gates etc.

### Concealed SPDT magnetic switches

- For wood doors and frames
- 0.3 Amps @ 30 VDC
- UL10C/CAN-ULC-S104



679-05

### Concealed/flush mount magnetic switches

- For aluminum, wood and hollow metal doors
- 0.25 Amps @ 30 VDC
- UL10C/CAN-ULC-S104



7764

- For hollow metal doors and frames
- 0.3 Amps @ 30 VDC
- UL10C/CAN-ULC-S104



679-05HM

### Surface mount magnetic switches

- For aluminum, wood and hollow metal doors
- 0.25 Amps @ 30 VDC
- UL10C/CAN-ULC-S104



7766

- For wood doors and metal frames
- 0.3 Amps @ 30 VDC
- UL10C/CAN-ULC-S104



679-05WD

## Ordering information

- **674-OH** - Overhead door floor mount
- **679-05** - Wood door and frame
- **679-05HM** - Hollow metal door and frame
- **679-05WD** - Wood door and metal frame
- **7764** - Concealed/flush mount
- **7766** - Surface mount

Allegion, the Allegion logo, Schlage, and the Schlage logo are trademarks of Allegion plc, its subsidiaries and/or affiliates in the United States and other countries. All other trademarks are the property of their respective owners.

### About Allegion

Allegion (NYSE: ALLE) is a global pioneer in seamless access, with leading brands like CISA®, Interflex®, LCN®, Schlage®, SimonsVoss® and Von Duprin®. Focusing on security around the door and adjacent areas, Allegion secures people and assets with a range of solutions for homes, businesses, schools and institutions. Allegion had \$2.9 billion in revenue in 2019 and sells products in almost 130 countries. For more, visit [www.allegion.com](http://www.allegion.com)

KRYPTONITE ■ LCN ■  ■ STEELCRAFT ■ VON DUPRIN



© 2020 Allegion  
005005, Rev. 09/20  
[www.allegion.com/us](http://www.allegion.com/us)



## FSS1

High security door  
monitoring sensor



### Overview

The FSS1 Series of High Security Door Monitoring Sensor are designed to provide a true high security solution for door position monitoring. It is a state-of-the-art monitoring solution with a flush mount version for new construction, and surface mount version as a superior replacement for traditional magnetic balanced reed sensors.

Specifically developed for high security applications in government and military installations, the FSS1 Series High Security Door Monitoring Sensor consist of seven magnetic sensors that are used to detect a unique magnetic footprint from an array of magnets on the magnetic face plate. One sensor is used to detect the position of the magnetic face plate in relation to the device, while the other six sensors are used to determine the polarity, size, strength and position of the magnets on the unique magnetic face plate in relation to the memorized pattern. The FSS1 is equipped with sophisticated anti-tamper features.

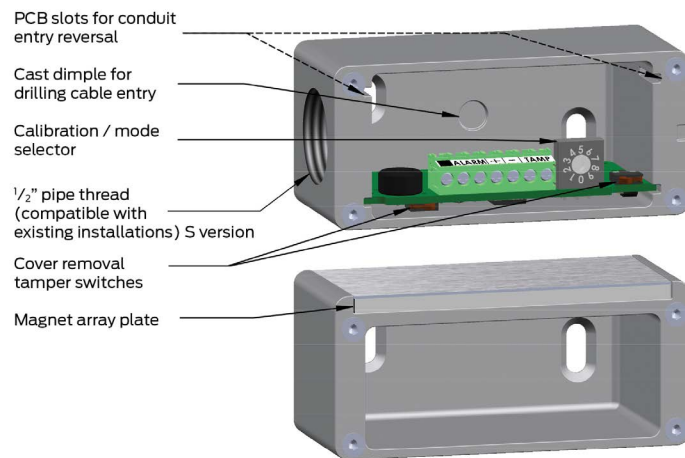
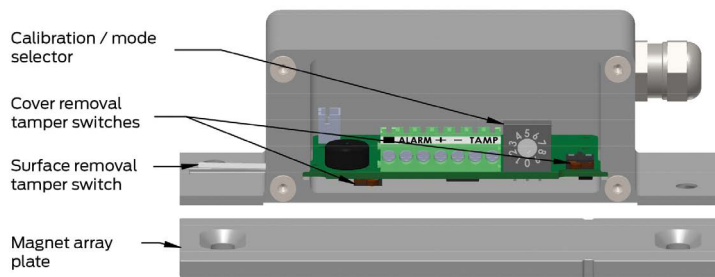
### Features and benefits

- Ideal for high security applications including server farms, government facilities, and military bases
- Utilizes sensors to detect a unique magnetic footprint created from an array of magnets
- Sensors “learn” a three-dimensional unique magnetic signature created by the polarity, size, strength, and position of the magnetic array plate
- Sensors can be re calibrated to accommodate for door replacement or maintenance
- Proven hardware impervious to defeat through magnetic, electronic or physical means
- Low voltage solid state components
- 3 models; surface mount with conduit, surface mount no conduit, and flush mount
- Can be deployed in existing and new high security facilities



## FSS1 specifications

Part number	F FSS1-S / FSS1-S-NC	FSS1-F
Function	FSS1-S - Surface mount conduit version FSS1-S-NC -Surface mount no conduit version	Flush mount version (morticed)
Voltage / current	10 – 30VDC / <45mA	
Security tamper proof level	Highest Security Level in Australia (SL4)	
Alarm and tamper contacts	2 by N.C. common N.O., 0.2A @ 30V	
Door gap	.04-.26in vertical door gap, and up to .59in door movement for alarm to trigger 1-7mm vertical door gap, and up to 15mm door movement for alarm to trigger	
End of line compatibility	Space for type 1 & 2 end-of-line encryption modules	
Dimensions	L=2.96in H=1.34in D=1.38in L=75mm H=34mm D=35mm	L=4.33in D=1.26in W=1.38in L=110mm D=32mm W=35mm
Approvals	Rated to IP67   RCM Compliant	SCEC Approved, Security Level 4 (SL4) rated   UL 634 Level 2
Hall effect sensors	7	
Patents	Patents granted and pending worldwide based on PCT/AU2014/000210	
Manufacture	Designed and manufactured in Australia	



## About Allegion

Allegion (NYSE: ALLE) is a global pioneer in seamless access, with leading brands like CISA®, Interflex®, LCN®, Schlage®, SimonsVoss® and Von Duprin®. Focusing on security around the door and adjacent areas, Allegion secures people and assets with a range of solutions for homes, businesses, schools and institutions. Allegion had \$2.9 billion in revenue in 2019 and sells products in almost 130 countries. For more, visit [www.allegion.com](http://www.allegion.com)





# PB405 and PB405S

Electrified powerbolts



## Overview

The PB405 PowerBolt is a mortise, right angle deadbolt with a .61" diameter bolt and a .67" throw. It is available fail-safe PB405 or fail-secure PB405S. PowerBolts install in the door frame for minimal impact to the door and a clean, cohesive opening

Note: Electromechanical powerbolts not recommended where life safety may be compromised or where panic bar hardware is the only means of egress.

## Features and benefits

- 12/24V DC
- Magnetic door position switch
- Built in relocking time delay, field selectable for 0, 3, 6 or 9 seconds
- Fail-safe or fail-secure
- Mortise mount PowerBolts furnished in satin aluminum finish

## Specifications

### **PB405 electric PowerBolt lock (fail-safe)**

- Door position switch
- 12/24 VDC dual voltage, field selectable
- Current draw: 0.9A @ 12 VDC, 0.45A @ 24 VDC
- Fail-safe type (power to lock)
- Built-in relocking option
- Relocking time delay time: 0 sec., 3 sec., 5 sec., 9 sec. field selectable utilizing two simple dip switches
- Bolt diameter: 0.61 in
- Bolt throw: 0.67 in
- Weight: 1.9 lbs
- Dimension (L x W x D): 7.87 in x 1.26 in x 1.57 in

### **PB405S electric PowerBolt lock (fail-secure)**

- Door position switch
- 12/24 VDC dual voltage, field selectable
- Current draw: 0.9A @ 12 VDC, 0.45A @ 24 VDC
- Fail-secure type (power to open.), MOV surge protection.
- Relocking time delay time: 0 sec., 3 sec., 5 sec., 9 sec. field selectable utilizing two simple dip switches
- Built-in relocking option
- Bolt diameter: 0.61 in
- Bolt throw: 0.67 in
- Weight: 1.9 lbs
- Dimension (L x W x D): 7.87 in x 1.26 in x 1.57 in

## Ordering information

- **405** - Rectangular front, fail-safe
- **405S** - Rectangular front, fail-secure
- **Fail-secure lock** – Requires power to unlock
- **Fail-safe lock** – Requires power to lock

Allegion, the Allegion logo, Schlage, and the Schlage logo are trademarks of Allegion plc, its subsidiaries and/or affiliates in the United States and other countries. All other trademarks are the property of their respective owners.

### **About Allegion**

Allegion (NYSE: ALLE) is a global pioneer in seamless access, with leading brands like CISA®, Interflex®, LCN®, Schlage®, SimonsVoss® and Von Duprin®. Focusing on security around the door and adjacent areas, Allegion secures people and assets with a range of solutions for homes, businesses, schools and institutions. Allegion had \$2.9 billion in revenue in 2019 and sells products in almost 130 countries. For more, visit [www.allegion.com](http://www.allegion.com)

KRYPTONITE ■ LCN ■  ■ STEELCRAFT ■ VON DUPRIN



© 2020 Allegion  
005011, Rev. 09/20  
[www.allegion.com/us](http://www.allegion.com/us)



# 442S

## Electronic cabinet lock



### Overview

The 442S is a compact and easy to install hardwired cabinet lock. It is fail secure and driven by a dual voltage solenoid. The voltage is field selectable 12 or 24 VDC. This makes ordering easy and provides greater flexibility in the field.

The 442S can be mounted horizontally or vertically to control access to a wide range of swinging or sliding cabinets and drawers. The 442S can be controlled by any kind of access control system that provides a dry contact output. Its small size and versatile mounting position allows you to bring increased monitoring and control to hard to reach applications such as pharmaceutical cabinets, cash drawers and display cases.

### Features and benefits

- Fail-secure power failure mode
- Dual voltage 12/24 VDC, field selectable
- Open architecture design, compatible with wide range of Physical Access Control Software (PACS) providers
- Flexible mounting options
- Ideal for pharmaceutical cabinets, cash drawers and display cases

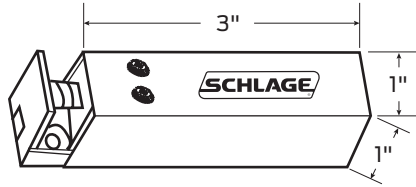
---

## Specifications

---

Input voltage	12/24VDC dual voltage, field selectable
Current draw	.5 Amp @ 12VDC .25 Amp @ 24VDC
Dimensions (L x W x D)	3" x 1" x 1"

---



## Ordering information

### Select model

- 442S cabinet lock

### Standard features

- 12/24 VDC (field selectable)
- Fail secure
- Black Lexan finish

Allegion, the Allegion logo, Von Duprin, and the Von Duprin logo are trademarks of Allegion plc, its subsidiaries and/or affiliates in the United States and other countries. All other trademarks are the property of their respective owners.

## About Allegion

Allegion (NYSE: ALLE) is a global pioneer in safety and security, with leading brands like CISA®, Interflex®, LCN®, Schlage®, SimonsVoss® and Von Duprin®. Focusing on security around the door and adjacent areas, Allegion produces a range of solutions for homes, businesses, schools and other institutions. Allegion is a \$2 billion company, with products sold in almost 130 countries. For more, visit [www.allegion.com](http://www.allegion.com).

KRYPTONITE ■ LCN ■  ■ STEELCRAFT ■ VON DUPRIN

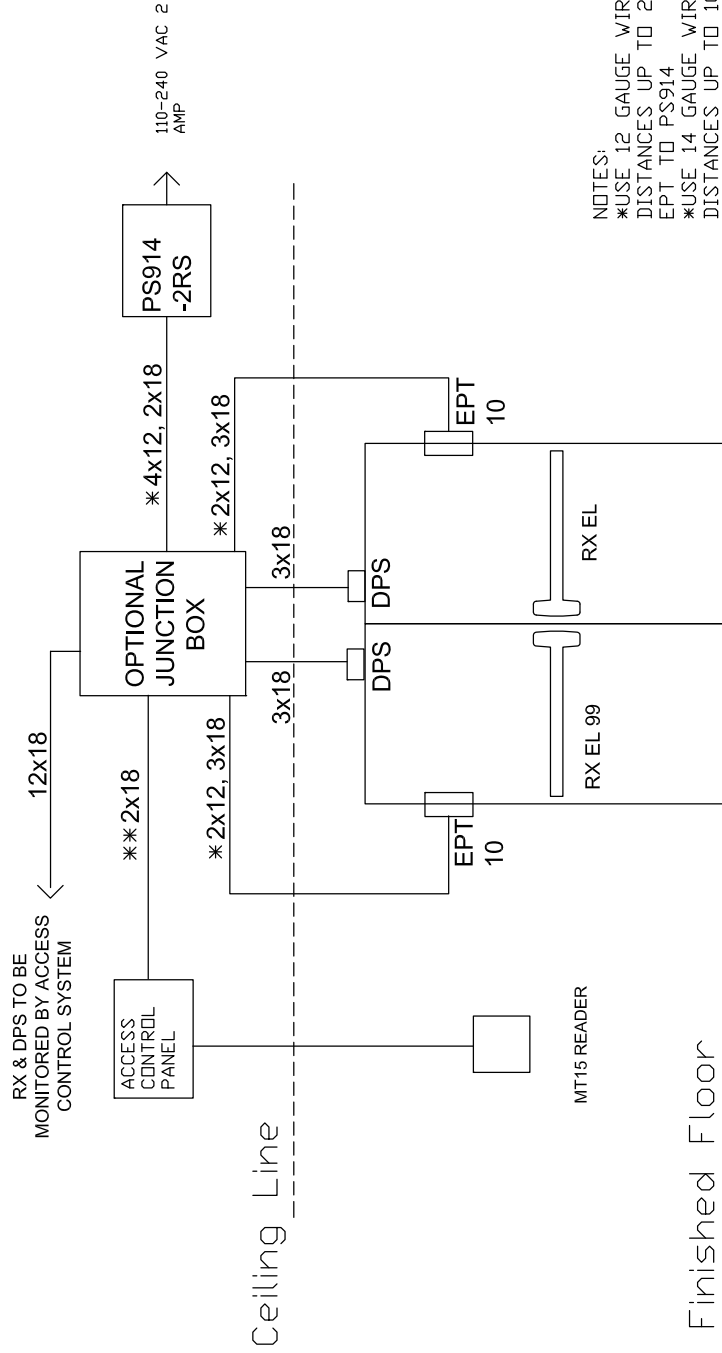


© 2019 Allegion  
010152, Rev.12/19  
[www.allegion.com/us](http://www.allegion.com/us)

## Appendix

This section of the Electronic access control catalog includes a number of wiring and riser diagrams for a variety of electronic access control applications.

THIS DIAGRAM REPRESENTS A GENERIC CONFIGURATION. CUSTOM WIRING DIAGRAMS CAN BE ACQUIRED BY CONTACTING TECHNICAL SUPPORT.

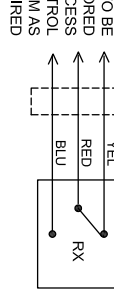
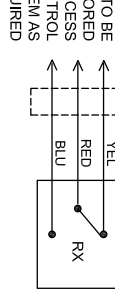
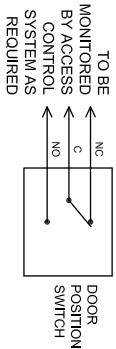
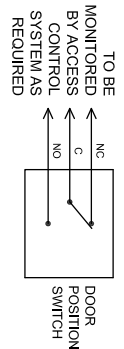
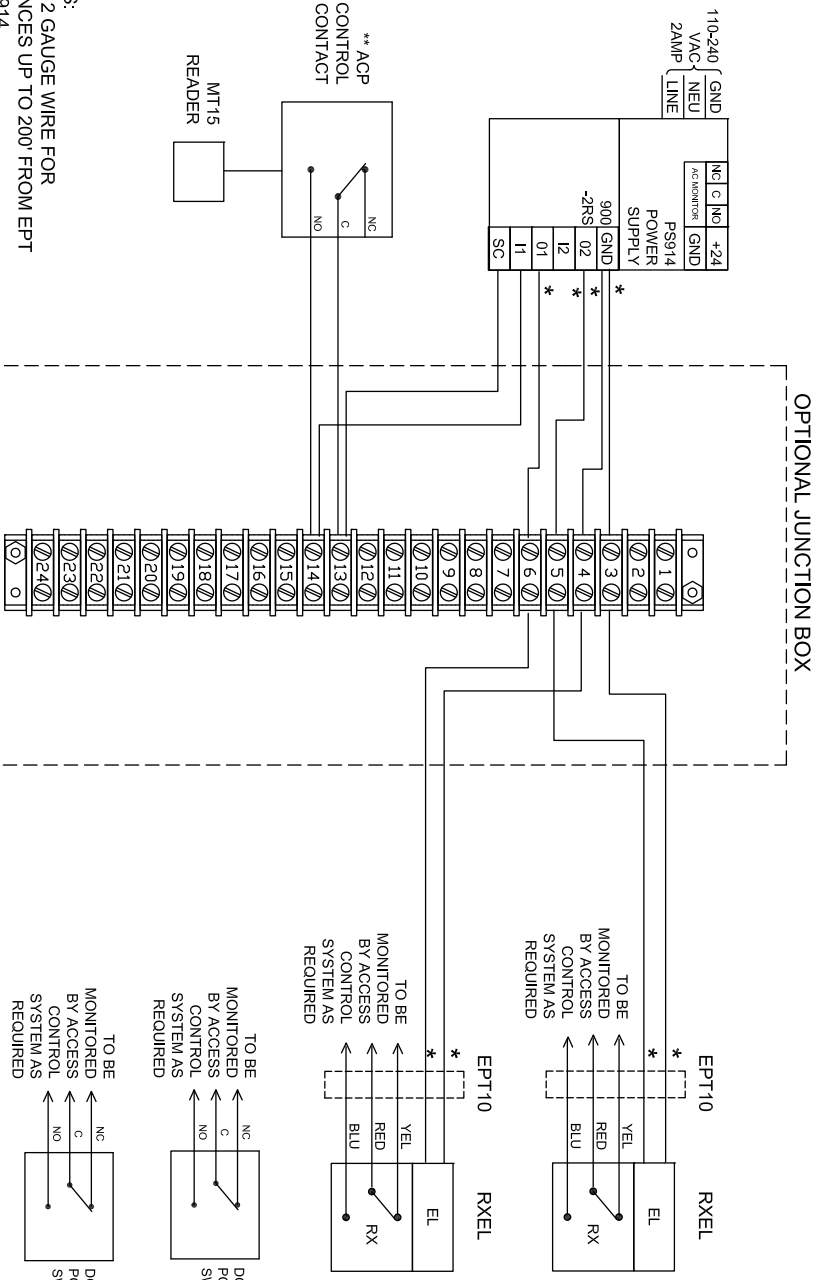


NOTES:  
 \*USE 12 GAUGE WIRE FOR DISTANCES UP TO 200' FROM EPT TO PS914  
 \*USE 14 GAUGE WIRE FOR DISTANCES UP TO 100' FROM EPT TO PS914  
 \*\* ADDITIONAL WIRING REQUIRED. SEE MANUFACTURERS INSTALLATION INSTRUCTIONS.

<p>NOTES:          1) ALL LOW VOLTAGE WIRING TO BE STANDARD, MULTI-CONDUCTOR COLOR CODED WITHOUT SPLICES.          2) WIRING TO CONFORM TO APPLICABLE NATIONAL, STATE AND LOCAL ELECTRICAL CODES.          3) REFER TO SPECIFIC PRODUCT INSTALLATION INSTRUCTIONS FOR SPECIFIC WIRING REQUIREMENTS.          4) THIS DRAWING IS FOR GRAPHICAL REPRESENTATION OF PRODUCTS DETAILED IN THE HARDWARE SET ONLY.          5) ADDITIONAL WIRING WILL BE REQUIRED FROM ACP DETAILS NOT SHOWN HERE. CONSULT PROVIDER FOR DETAILS.</p>	<p>HARDWARE USED:          1 - PS914-2RS          2 RX-EL99          2 DOOR POSITION SWITCHES          1 MT15 READER &amp; ACP          2 EPT10          1 OPTIONAL JUNCTION BOX</p> <p>TYPE  <b>DOUBLE DOORS</b></p>	<p>OPERATION:          DOOR NORMALLY CLOSED &amp; LATCHED BY ACCESS CONTROL SYSTEM.          VALID CREDENTIAL RETRACTS ELECTRIC PANIC DEVICES TO ALLOW ENTRY.          FREE EGRESS AT ALL TIMES.          DOOR POSITION &amp; RX SWITCHES TO BE MONITORED BY ACCESS CONTROL SYSTEM.</p> <p>DATE DRAWN: <b>03-27-13</b>          DRAWN BY: <b>B DOVE</b></p> <p>REVISION DATE: <b>04-15-14</b>          APPROVED BY: <b>MH</b></p>	<p>ALLEGION™</p> <p>PS914-2RS WITH 2          RXEL99 RIM, MT15, DPS</p> <p>DWG NO: 105234          DRAWING TYPE: RISER          DRAWING CHECKED BY: B DOVE</p>	<p>REV  <b>D</b></p>
---	---	---	--	--------------------------

NOTES:  
 \*USE 12 GAUGE WIRE FOR DISTANCES UP TO 200' FROM EPT TO PS914  
 \*USE 14 GAUGE WIRE FOR DISTANCES UP TO 100' FROM EPT TO PS914  
 \*\* ADDITIONAL WIRING REQUIRED. SEE MANUFACTURERS INSTALLATION INSTRUCTIONS.

THIS DIAGRAM REPRESENTS A GENERIC CONFIGURATION. CUSTOM WIRING DIAGRAMS CAN BE ACQUIRED BY CONTACTING TECHNICAL SUPPORT.



NOTES:  
 1) ALL LOW VOLTAGE WIRING TO BE STANDARD MULTICONDUCTOR COLOR CODED WITHOUT SPACES.  
 2) WIRING TO CONFORM TO APPLICABLE NATIONAL, STATE AND LOCAL ELECTRICAL CODES.  
 3) REFER TO SPECIFIC PRODUCT INSTALLATION INSTRUCTIONS FOR SPECIFIC WIRING REQUIREMENTS.  
 4) THIS DRAWING IS FOR GRAPHICAL REPRESENTATION OF PRODUCTS DETAILED IN THE HARDWARE SET ONLY.  
 5) ADDITIONAL WIRING WILL BE REQUIRED FROM ACP THAT IS NOT SHOWN HERE. CONSULT PROVIDER FOR DETAILS.

HARDWARE USED:  
 1 - PS914-2RS  
 2 RX-EL99  
 2 DOOR POSITION SWITCHES  
 1 MT15 READER & ACP  
 2 EPT10  
 1 OPTIONAL JUNCTION BOX

TYPE  
**DOUBLE DOORS**

OPERATION:  
 DOOR NORMALLY CLOSED & LATCHED BY ACCESS CONTROL SYSTEM. VALID CREDENTIAL RETRACTS ELECTRIC PANIC DEVICES TO ALLOW ENTRY.  
 FREE EGRESS AT ALL TIMES.  
 DOOR POSITION & RX SWITCHES TO BE MONITORED BY ACCESS CONTROL SYSTEM.

DATE DRAWN: **03-27-13**  
 DRAWN BY: **B DOVE**

REVISION DATE: **04-15-14**  
 APPROVED BY: **MH**

TITLE: **PS914-2RS WITH 2 RXEL99 RIM, MT15, DPS**

**ALLEGIION**

DRAWING TYPE: **WIRING**

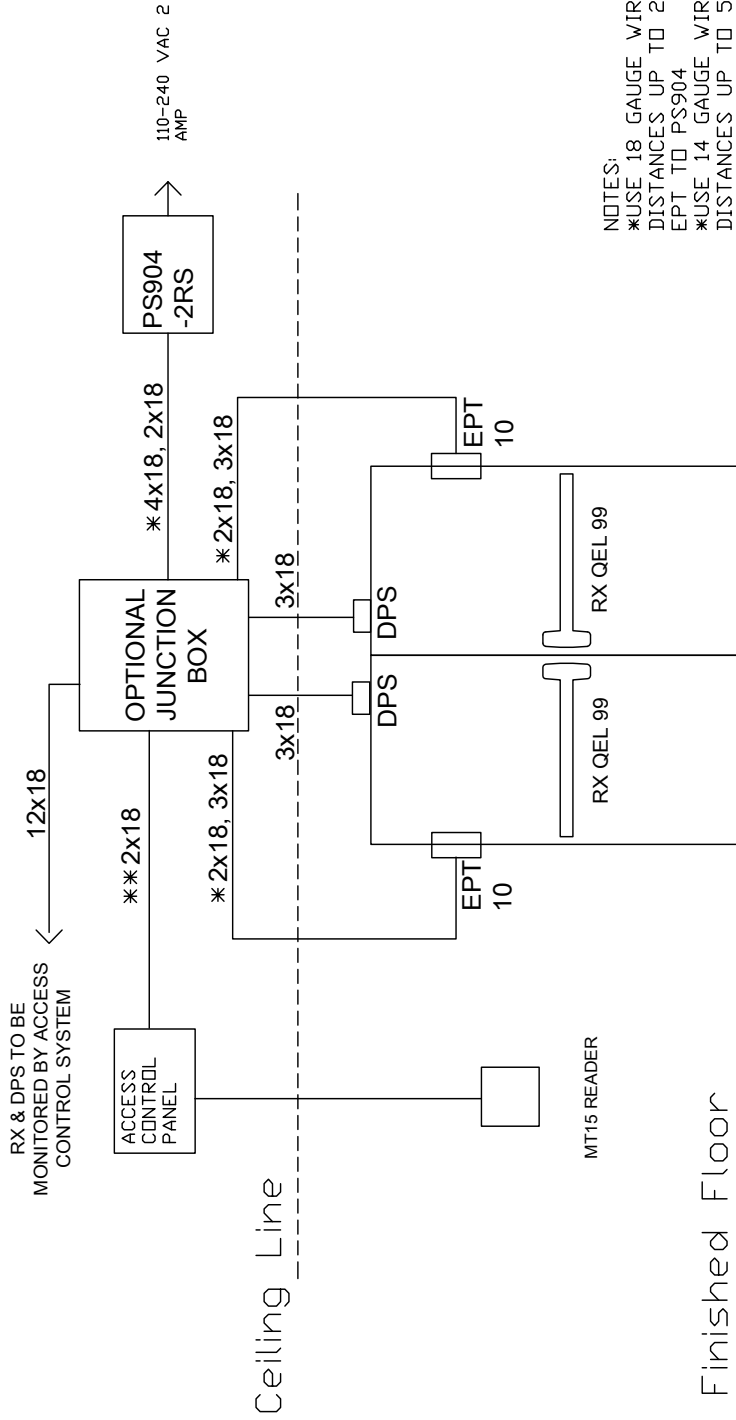
DWG NO: **105234**

DRAWN/ENGINEERED BY: **B DOVE**

REV: **D**

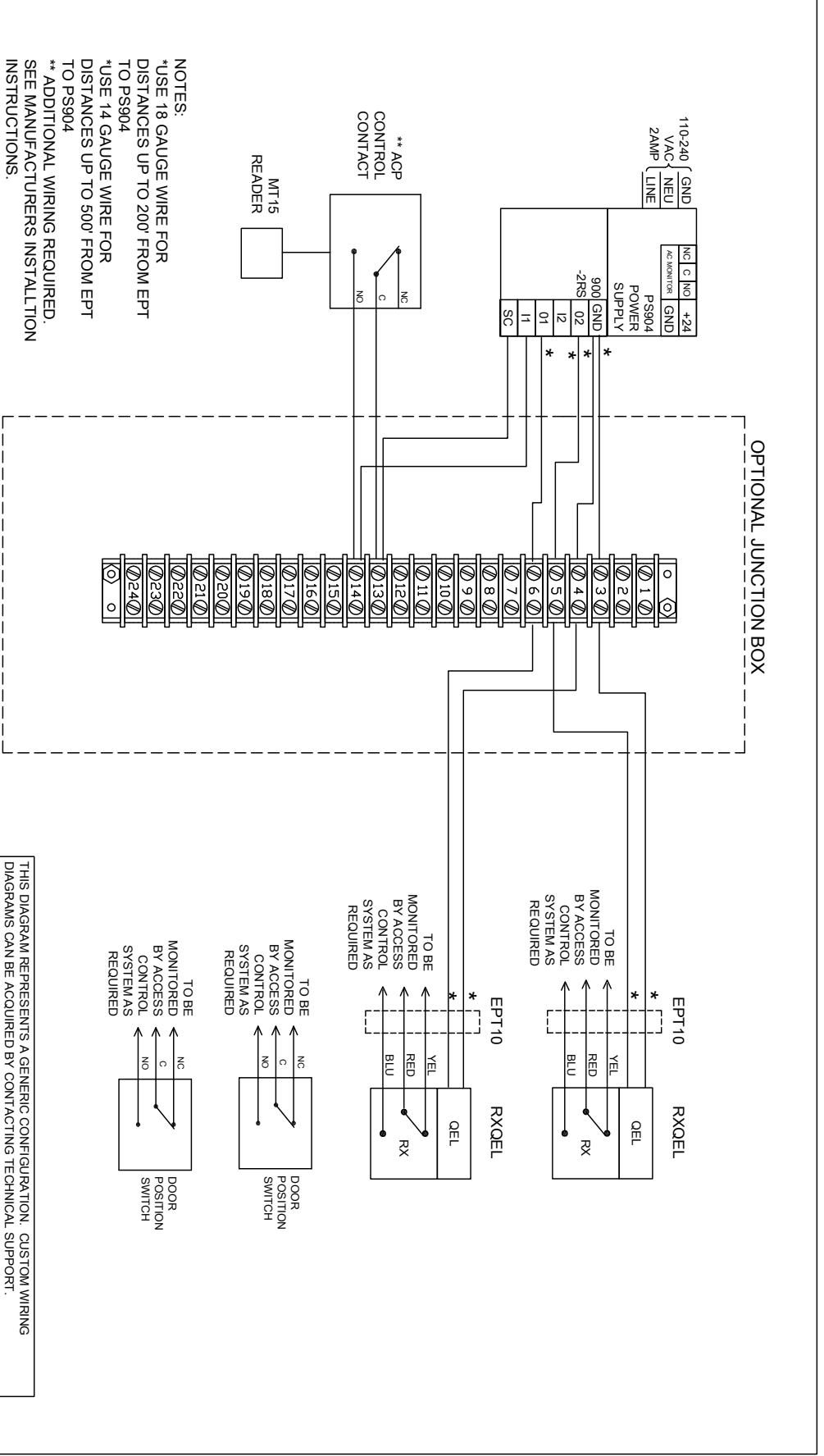


THIS DIAGRAM REPRESENTS A GENERIC CONFIGURATION. CUSTOM WIRING DIAGRAMS CAN BE ACQUIRED BY CONTACTING TECHNICAL SUPPORT.



NOTES:  
 \*USE 18 GAUGE WIRE FOR DISTANCES UP TO 200' FROM EPT TO PS904  
 \*USE 14 GAUGE WIRE FOR DISTANCES UP TO 500' FROM EPT TO PS904  
 \*\* ADDITIONAL WIRING REQUIRED. SEE MANUFACTURERS INSTALLATION INSTRUCTIONS.

<p>NOTES:          1) ALL LOW VOLTAGE WIRING TO BE STANDARD, MULTI-CONDUCTOR COLOR CODED WITHOUT SPLICES.          2) WIRING TO CONFORM TO APPLICABLE NATIONAL, STATE AND LOCAL ELECTRICAL CODES.          3) REFER TO SPECIFIC PRODUCT INSTALLATION INSTRUCTIONS FOR SPECIFIC WIRING REQUIREMENTS.          4) THIS DRAWING IS FOR GRAPHICAL REPRESENTATION OF PRODUCTS DETAILED IN THE HARDWARE SET ONLY.          5) ADDITIONAL WIRING WILL BE REQUIRED FROM ACP THAT IS NOT SHOWN HERE. CONSULT PROVIDER FOR DETAILS.</p>	<p><b>HARDWARE USED</b>          1 - PS904-2RS          2 RX-QEL99          2 DOOR POSITION SWITCHES          1 MT15 READER &amp; ACP          2 EPT10          1 OPTIONAL JUNCTION BOX</p>	<p><b>OPERATION:</b>          DOOR NORMALLY CLOSED &amp; LATCHED BY ACCESS CONTROL SYSTEM.          VALID CREDENTIAL RETRACTS QUIET ELECTRIC PANIC DEVICES TO ALLOW ENTRY.          FREE EGRESS AT ALL TIMES.          DOOR POSITION &amp; RX SWITCHES TO BE MONITORED BY ACCESS CONTROL SYSTEM.</p>	<p><b>ALLEGION™</b></p> <p>TITLE: PS904-2RS WITH 2          RXQEL99 RIM, MT15, DPS          DRAWING TYPE: RISER          DRAWING NO: 112131R          DRAWN BY: B DOVE          REVISION DATE: 02-16-18          REVISION NAME: 02-16-18          REV: A</p>
---	---	--	--



NOTES:  
1) ALL LOW VOLTAGE WIRING TO BE STANDARD, MULTI-CONDUCTOR COLOR CODED WITHOUT SPLICES  
2) WIRING TO CONFORM TO APPLICABLE NATIONAL, STATE AND LOCAL ELECTRICAL CODES.  
3) REFER TO SPECIFIC PRODUCT INSTALLATION INSTRUCTIONS FOR SPECIFIC WIRING REQUIREMENTS.  
4) THIS DRAWING IS FOR GRAPHICAL REPRESENTATION OF PRODUCTS DETAILED IN THE HARDWARE SET ONLY.  
5) ADDITIONAL WIRING WILL BE REQUIRED FROM ACP THAT IS NOT SHOWN HERE. CONSULT PROVIDER FOR DETAILS.

HARDWARE USED	1 - PS904-2RS 2 RX-QEL99 2 DOOR POSITION SWITCHES 1 MT15 READER & ACP 2 EPT10 1 OPTIONAL JUNCTION BOX
OPERATION:	DOOR NORMALLY CLOSED & LATCHED BY ACCESS CONTROL SYSTEM. VALID CREDENTIAL RETRACTS QUIET ELECTRIC PANIC DEVICES TO ALLOW ENTRY. FREE EGRESS AT ALL TIMES. DOOR POSITION & RX SWITCHES TO BE MONITORED BY ACCESS CONTROL SYSTEM.

DATE DRAWN:	02-16-18	REVISION DATE:	02-16-18
DRAWN BY:	B DOVE		

TITLE: **PS904-2RS WITH 2 RXQEL99**  
RIM, MT15, DPS

**ALLEGION™**

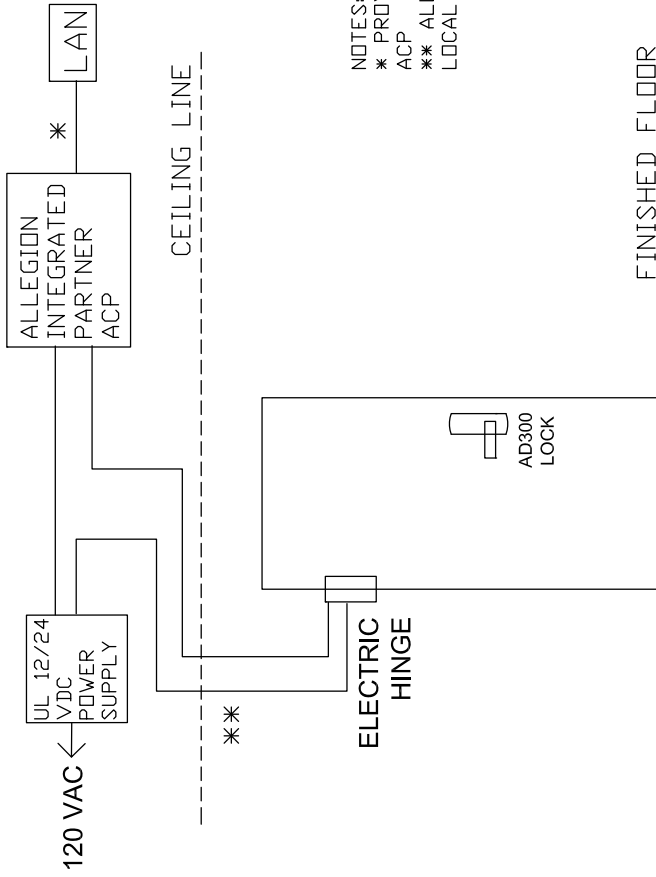
DRAWING TYPE: **WIRING**

DWG NO: 112131W

DRAWN/RECHECKED BY: B DOVE

REV: **A**

THIS DIAGRAM REPRESENTS A GENERIC CONFIGURATION. CUSTOM WIRING DIAGRAMS CAN BE ACQUIRED BY CONTACTING TECHNICAL SUPPORT.



NOTES:  
 \* PROVIDE NETWORK CONNECTION AS REQUIRED BY ACP  
 \*\* ALL WIRING MUST COMPLY WITH NFPA70 (NEC) & LOCAL CODES & MEET ACP PROVIDER REQUIREMENTS.

NOTES:  
 1) ALL LOW VOLTAGE WIRING TO BE STANDARD MULTI-CONDUCTOR COLOR CODED WITHOUT SPLICES.  
 2) WIRING TO CONFORM TO APPLICABLE NATIONAL, STATE AND LOCAL ELECTRICAL CODES.  
 3) REFER TO SPECIFIC PRODUCT INSTALLATION INSTRUCTIONS FOR SPECIFIC WIRING REQUIREMENTS.  
 4) THIS DRAWING IS FOR GRAPHICAL REPRESENTATION OF PRODUCTS DETAILED IN THE HARDWARE SET ONLY.  
 5) ADDITIONAL WIRING WILL BE REQUIRED FROM ACP THAT IS NOT SHOWN HERE. CONSULT PROVIDER FOR DETAILS.

HARDWARE USED:  
 1 SCHLAGE AD-300 LOCK  
 1 ELECTRIC HINGE  
 1 UL LISTED 12/24 VDC POWER SUPPLY  
 1 ALLEGION AD LOCK INTEGRATED PARTNER ACP  
 TYPE SINGLE DOOR AD-300 RS485

OPERATION:  
 DOOR NORMALLY CLOSED & LOCKED  
 VALID CREDENTIAL UNLOCKS DOOR.  
 FREE GRESS AT ALL TIMES.  
 CONSULT ACCESS CONTROL SYSTEM PROVIDER FOR SPECIFIC READER CAPACITY AND POINT-TO-POINT WIRING PER ACP.  
 DATE DRAWN 4-3-13 REVISION DATE 5-9-2014  
 copyright 2013

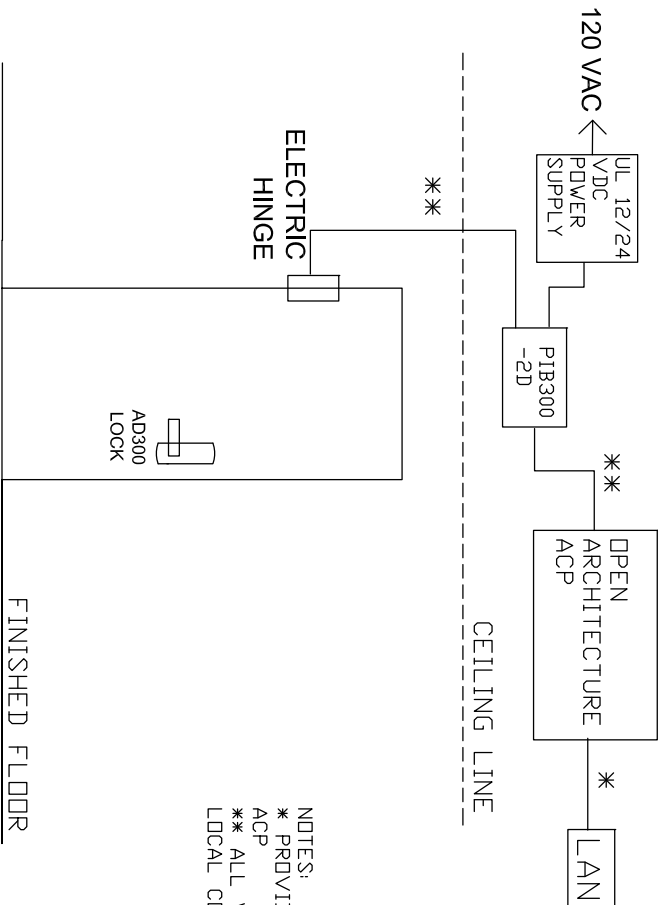
**ALLEGION™**

TITLE: SINGLE AD300 ALLEGION INTEGRATED PARTNER ACP RS485

DRAWING TYPE: RISER DIAGRAM

DWG NO: 1053349  
 DRAWN BY: B DOVE  
 REV: C

THIS DIAGRAM REPRESENTS A GENERIC CONFIGURATION. CUSTOM WIRING DIAGRAMS CAN BE ACQUIRED BY CONTACTING TECHNICAL SUPPORT.



NOTES:  
 \* PROVIDE NETWORK CONNECTION AS REQUIRED BY ACP  
 \*\* ALL WIRING MUST COMPLY WITH NFPA70 (NEC) & LOCAL CODES & MEET ACP PROVIDER REQUIREMENTS.

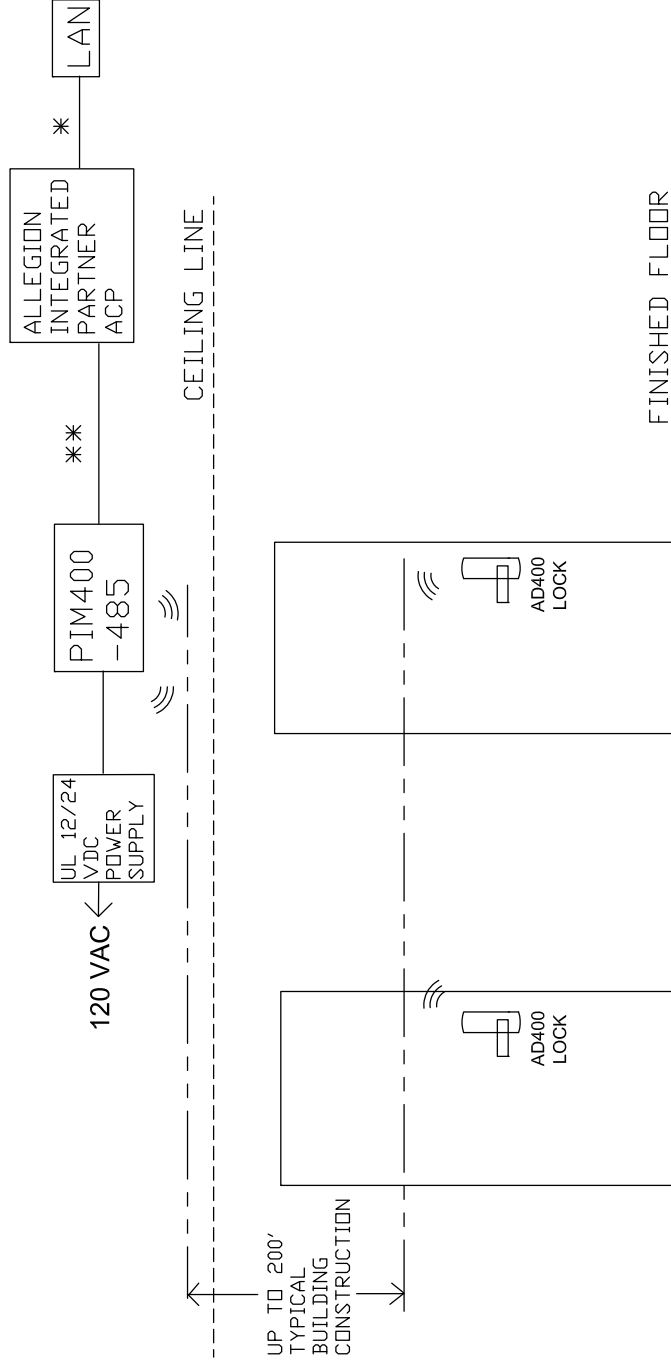
NOTES:  
 1) ALL LOW VOLTAGE WIRING TO BE STANDARD MULTI-CONDUCTOR COLOR CODED WITHOUT SPLICES.  
 2) WIRING TO CONFORM TO APPLICABLE NATIONAL, STATE AND LOCAL ELECTRICAL CODES.  
 3) REFER TO SPECIFIC PRODUCT INSTALLATION INSTRUCTIONS FOR SPECIFIC WIRING REQUIREMENTS.  
 4) THIS DRAWING IS FOR GRAPHICAL REPRESENTATION OF PRODUCTS DETAILED IN THE HARDWARE SET ONLY.  
 5) ADDITIONAL WIRING WILL BE REQUIRED FROM ACP THAT IS NOT SHOWN HERE. CONSULT PROVIDER FOR DETAILS.

HARDWARE USED:	
1	SCHLAGE AD-300 LOCK
1	ELECTRIC HINGE
1	PIB300-2D
1	UL LISTED 12/24 VDC POWER SUPPLY
1	OPEN ARCHITECTURE ACP
TYPE	SINGLE DOOR AD-300 WIEGAND

OPERATION:	
DOOR NORMALLY CLOSED & LOCKED	
VALID CREDENTIAL UNLOCKS DOOR.	
FREE GRESS AT ALL TIMES.	
CONSULT ACCESS CONTROL SYSTEM PROVIDER FOR SPECIFIC READER CAPACITY AND POINT-TO-POINT WIRING PER ACP.	
DATE DRAWN	4-3-13
REVISION	5-9-2014
copyright 2013	

		TITLE:	
		SINGLE AD300 OPEN ARCHITECTURE ACP WIEGAND	
DRAWING TYPE:	DWG NO.:	DESIGNED BY:	REV:
RISER DIAGRAM	105348	B DOVE	C

THIS DIAGRAM REPRESENTS A GENERIC CONFIGURATION. CUSTOM WIRING DIAGRAMS CAN BE ACQUIRED BY CONTACTING TECHNICAL SUPPORT.



NOTES:  
 \* PROVIDE NETWORK CONNECTION AS REQUIRED BY ACP  
 \*\* ALL WIRING MUST COMPLY WITH NFPA70 (NEC) & LOCAL CODES & MEET ACP PROVIDER REQUIREMENTS.

NOTES:  
 1) ALL LOW VOLTAGE WIRING TO BE STANDARD, MULTI-CONDUCTOR COLOR CODED WITHOUT SPLICES.  
 2) WIRING TO CONFORM TO APPLICABLE NATIONAL, STATE AND LOCAL ELECTRICAL CODES.  
 3) REFER TO SPECIFIC PRODUCT INSTALLATION INSTRUCTIONS FOR SPECIFIC WIRING REQUIREMENTS.  
 4) THIS DRAWING IS FOR GRAPHICAL REPRESENTATION OF PRODUCTS DETAILED IN THE HARDWARE SET ONLY.  
 5) ADDITIONAL WIRING WILL BE REQUIRED FROM ACP THAT IS NOT SHOWN HERE. CONSULT PROVIDER FOR DETAILS.

HARDWARE USED:  
 UP TO 16 SCHLAGE AD-400 DEVICES  
 1 UL LISTED 12/24 VDC POWER SUPPLY  
 1 PIM400-485  
 1 ALLEGION AD LOCK INTEGRATED PARTNER ACP  
 TYPE  
 AD-400 INTEGRATED  
 RS485 ACP

OPERATION:  
 DOOR NORMALLY CLOSED & LOCKED  
 VALID CREDENTIAL UNLOCKS DOOR.  
 FREE EGRESS AT ALL TIMES.  
 EACH PIM400-485 CAN SUPPORT UP TO SIXTEEN AD-400 DEVICES.  
 CONSULT ACCESS CONTROL SYSTEM PROVIDER FOR SPECIFIC READER CAPACITY AND POINT-TO-POINT WIRING PER ACP.

DATE DRAWN 4-3-13 REVISION DATE 5-9-14  
 copyright 2013

**ALLEGION™**

TITLE: AD400 ALLEGION INTEGRATED PARTNER ACP RS485

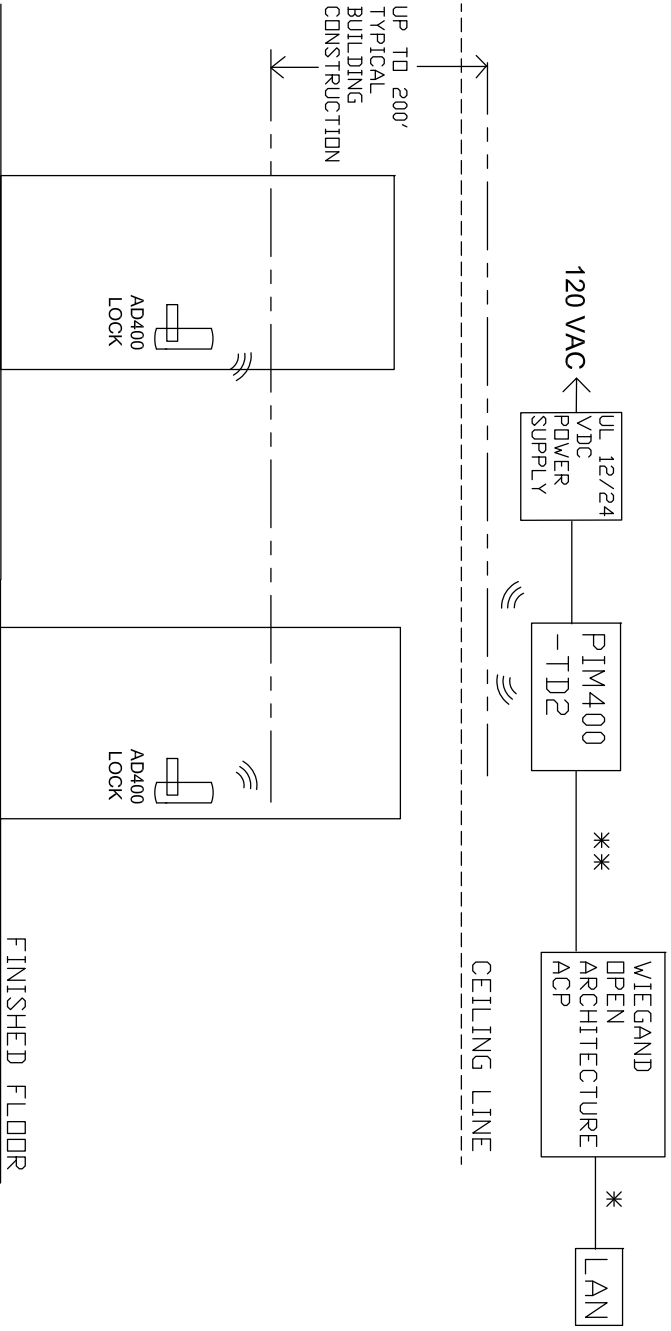
DRAWING TYPE: RISER DIAGRAM

DWG NO: 105351

REV: C

DRAWN BY: B DOVE

THIS DIAGRAM REPRESENTS A GENERIC CONFIGURATION. CUSTOM WIRING DIAGRAMS CAN BE ACQUIRED BY CONTACTING TECHNICAL SUPPORT.



NOTES:  
 \* PROVIDE NETWORK CONNECTION AS REQUIRED BY ACP  
 \*\* ALL WIRING MUST COMPLY WITH NFPA70 (NEC) & LOCAL CODES & MEET ACP PROVIDER REQUIREMENTS.

NOTES:  
 1) ALL LOW VOLTAGE WIRING TO BE STANDARD MULTI-CONDUCTOR COLOR CODED WITHOUT SPLICES.  
 2) WIRING TO CONFORM TO APPLICABLE NATIONAL, STATE AND LOCAL ELECTRICAL CODES.  
 3) REFER TO SPECIFIC PRODUCT INSTALLATION INSTRUCTIONS FOR SPECIFIC WIRING REQUIREMENTS.  
 4) THIS DRAWING IS FOR GRAPHICAL REPRESENTATION OF PRODUCTS DETAILED IN THE HARDWARE SET ONLY.  
 5) ADDITIONAL WIRING WILL BE REQUIRED FROM ACP THAT IS NOT SHOWN HERE. CONSULT PROVIDER FOR DETAILS.

HARDWARE USED:  
 UP TO 2 SCHLAGE AD-400 DEVICES  
 1 UL LISTED 12/24 VDC POWER SUPPLY  
 1 PIM400-TD2  
 1 OPEN ARCHITECTURE ACP

TYPE  
 AD-400 OPEN ARCHITECTURE

OPERATION:  
 DOOR NORMALLY CLOSED & LOCKED  
 VALID CREDENTIAL UNLOCKS DOOR.  
 FREE EGRESS AT ALL TIMES.  
 EACH PIM400-TD2 CAN SUPPORT UP TO 2 AD-400 DEVICES.  
 CONSULT ACCESS CONTROL SYSTEM PROVIDER FOR SPECIFIC READER CAPACITY AND POINT-TO-POINT WIRING PER ACP.

DATE DRAWN 4-3-13 REVISION DATE 5-9-14  
 copyright 2013

**ALLEGION™**

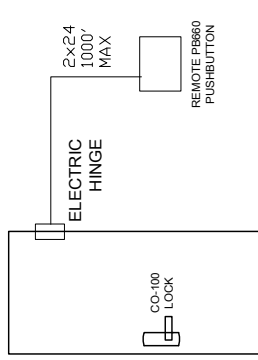
TITLE:  
 AD400 OPEN ARCHITECTURE  
 ACP RS485

DRAWING TYPE:  
 RISER DIAGRAM

DWG NO.: 105350  
 DRAWN/CHECKED BY: B DOVE

REV: C

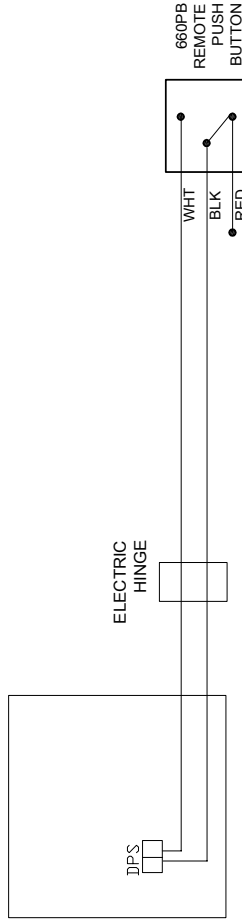
CEILING LINE



FINISHED FLOOR

THIS DIAGRAM REPRESENTS A GENERIC CONFIGURATION. CUSTOM WIRING DIAGRAMS CAN BE ACQUIRED BY CONTACTING TECHNICAL SUPPORT.

CD-100 INTERIOR ESCUTCHEON PCB



- NOTES:
- 1) ALL LOW VOLTAGE WIRING TO BE STANDARD. MULTI-CONDUCTOR CORD CODED WITHOUT SPLICES.
  - 2) WIRING TO CONFORM TO APPLICABLE NATIONAL, STATE AND LOCAL ELECTRICAL CODES.
  - 3) REFER TO SPECIFIC PRODUCT INSTALLATION INSTRUCTIONS FOR SPECIFIC WIRING REQUIREMENTS.
  - 4) THIS DRAWING IS FOR GRAPHICAL REPRESENTATION OF PRODUCTS DETAILED IN THE HARDWARE SET ONLY.
  - 5) ADDITIONAL WIRING WILL BE REQUIRED FROM ACP THAT IS NOT SHOWN HERE. CONSULT PROVIDER FOR DETAILS.

HARDWARE USED:

- 1 SCHLAGE CD-100 50 OFFICE FUNCTION STANDALONE LOCK MIN F.W. VERSION 2.6.2
- 1 ELECTRIC HINGE
- 1 PB660 REMOTE PUSHBUTTON

OPERATION:

DOOR NORMALLY CLOSED & LOCKED  
 VALID PIN UNLOCKS DOOR. REMOTE PUSHBUTTON RELEASES DOOR FOR THE PRE-PROGRAMMED RELOCK DELAY.  
 FREE GRESS AT ALL TIMES.

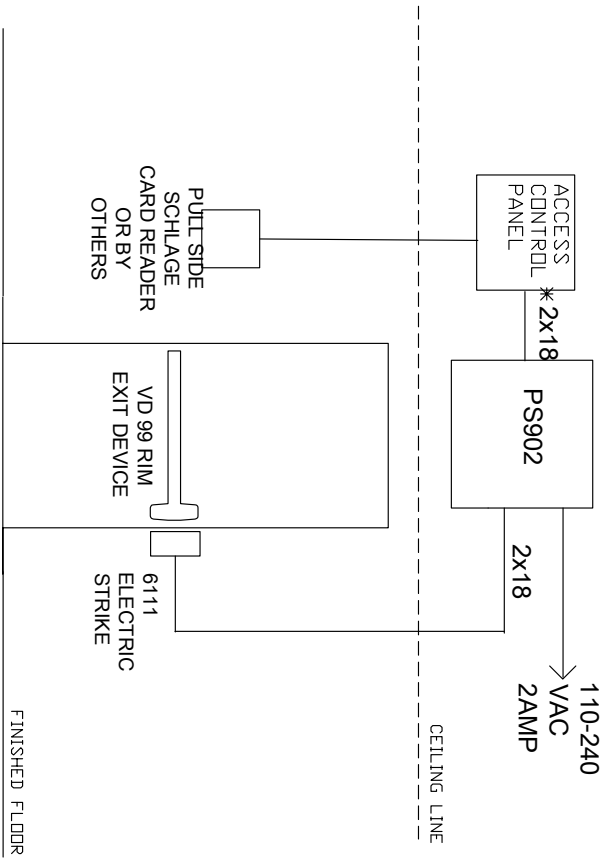
DATE DRAWN 02-13-18  
 REVISION DATE 02-13-18  
 TYPE CD100 WITH REMOTE PUSHBUTTON



TITLE: CO100 WITH REMOTE PUSHBUTTON

DRAWING TYPE: RISER DIAGRAM  
 DWG NO: 112121  
 DRAWN BY: B DOVE  
 REV: A

THIS DIAGRAM REPRESENTS A GENERIC CONFIGURATION. CUSTOM WIRING DIAGRAMS CAN BE ACQUIRED BY CONTACTING TECHNICAL SUPPORT.




NOTE:  
\*ADDITIONAL WIRING IS REQUIRED. SEE MANUFACTURER INSTALLATION INSTRUCTION

NOTES:  
1) ALL LOW VOLTAGE WIRING TO BE STANDARD, MULTI-CONDUCTOR COLOR CODED WITHOUT SPLICES.  
2) WIRING TO CONFORM TO APPLICABLE NATIONAL, STATE AND LOCAL ELECTRICAL CODES.  
3) REFER TO SPECIFIC PRODUCT INSTALLATION INSTRUCTIONS FOR SPECIFIC WIRING REQUIREMENTS.  
4) THIS DRAWING IS FOR GRAPHICAL REPRESENTATION OF PRODUCTS DETAILED IN THE HARDWARE SET ONLY.  
5) \* CONDUCTOR COUNT TO BE DETERMINED BY ACCESS CONTROL PANEL PROVIDER.

HARDWARE USED:	6111 FSE 24VDC Electric Strike
	VD 99 Rim Exit device
	PS902 Power Supply
	Schlage or Card Reader By Others with Access Control Panel
TYPE	6111 FSE ESTRIKE WITH SCHLAGE OR CR BD

OPERATION:	PULL SIDE CARD READER TO UNLOCK ELECTRIC STRIKE TO ALLOW ENTRY.
	6111 FSE ESTRIKE WILL LOCK ON POWER OUTAGE.
	FREE EGRESS ALWAYS FROM PUSH SIDE OF 99 RIM EXIT DEVICE
	IN THIS EXAMPLE ALL WIRING CONNECTIONS ARE MADE IN THE PS902 ENCLOSURE.
DATE DRAWN	3-13-13
REVISION DATE	3-13-13

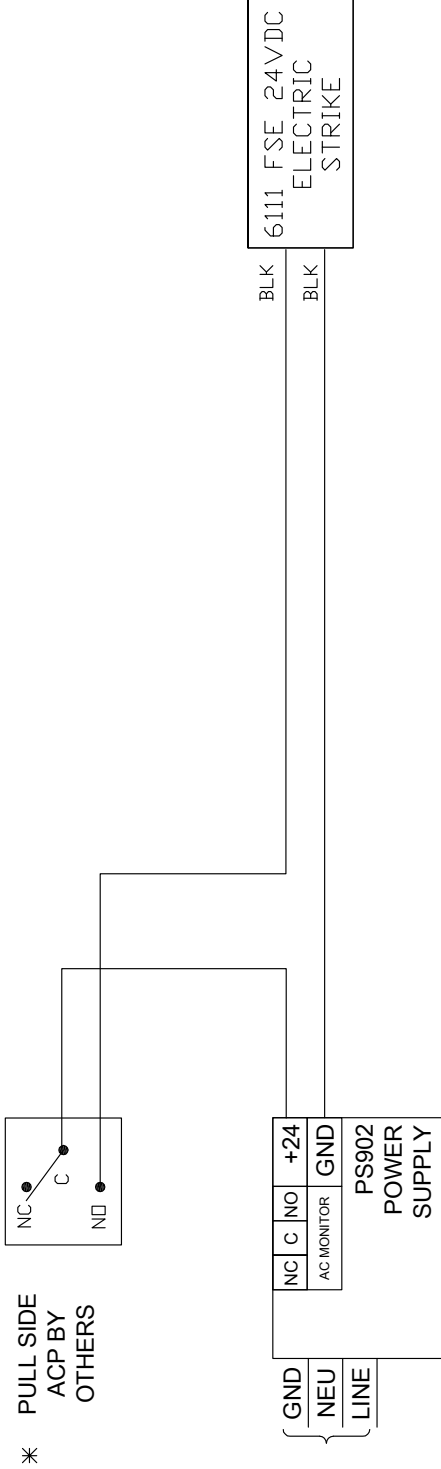


TYPE 6111 WITH PS902 AND SCHLAGE OR CARD READER BY OTHERS

DRAWING TYPE	DWG NO.	REV
RISER DIAGRAM	109439	C
	DRAWN/CHECKED BY	
	B DOVE/ B DVE	



THIS DIAGRAM REPRESENTS A GENERIC CONFIGURATION. CUSTOM WIRING DIAGRAMS CAN BE ACQUIRED BY CONTACTING TECHNICAL SUPPORT.



NOTE:  
\* ADDITIONAL WIRING IS REQUIRED. SEE MANUFACTURER INSTALLATION INSTRUCTION

NOTES:  
1) ALL LOW VOLTAGE WIRING TO BE STANDARD, MULTI-CONDUCTOR COLOR CODED WITHOUT SPLICES.  
2) WIRING TO CONFORM TO APPLICABLE NATIONAL, STATE AND LOCAL ELECTRICAL CODES.  
3) REFER TO SPECIFIC PRODUCT INSTALLATION INSTRUCTIONS FOR SPECIFIC WIRING REQUIREMENTS.  
4) THIS DRAWING IS FOR GRAPHICAL REPRESENTATION OF PRODUCTS DETAILED IN THE HARDWARE SET ONLY.  
5) \* CONDUCTOR COUNT TO BE DETERMINED BY ACCESS CONTROL PANEL PROVIDER.

HARDWARE USED:  
**6111 FSE 24VDC Electric Strike**  
**VD 99 Rim Exit device**  
**PS902 Power Supply**  
**Schlage or Card Reader, By Others with Access Control Panel**  
TYPE: **6111 FSE ESTRIKE WITH SCHLAGE OR CR 80**

OPERATION:  
PULL SIDE SCHLAGE OR CARD READER BY OTHERS TO UNLOCK ELECTRIC STRIKE TO ALLOW ENTRY.  
6111 FSE ESTRIKE WILL LOCK ON POWER OUTAGE.  
FREE EGRESS ALWAYS FROM PUSH SIDE OF 99 RIM EXIT DEVICE  
IN THIS EXAMPLE ALL WIRING CONNECTIONS ARE MADE IN THE PS902 ENCLOSURE.  
DATE DRAWN: **3-13-13** REVISION DATE: **3-13-13**

**ALLEGION™**

TITLE: **FSE 6111 WITH PS902 AND SCHLAGE OR CARD READER BY OTHERS**

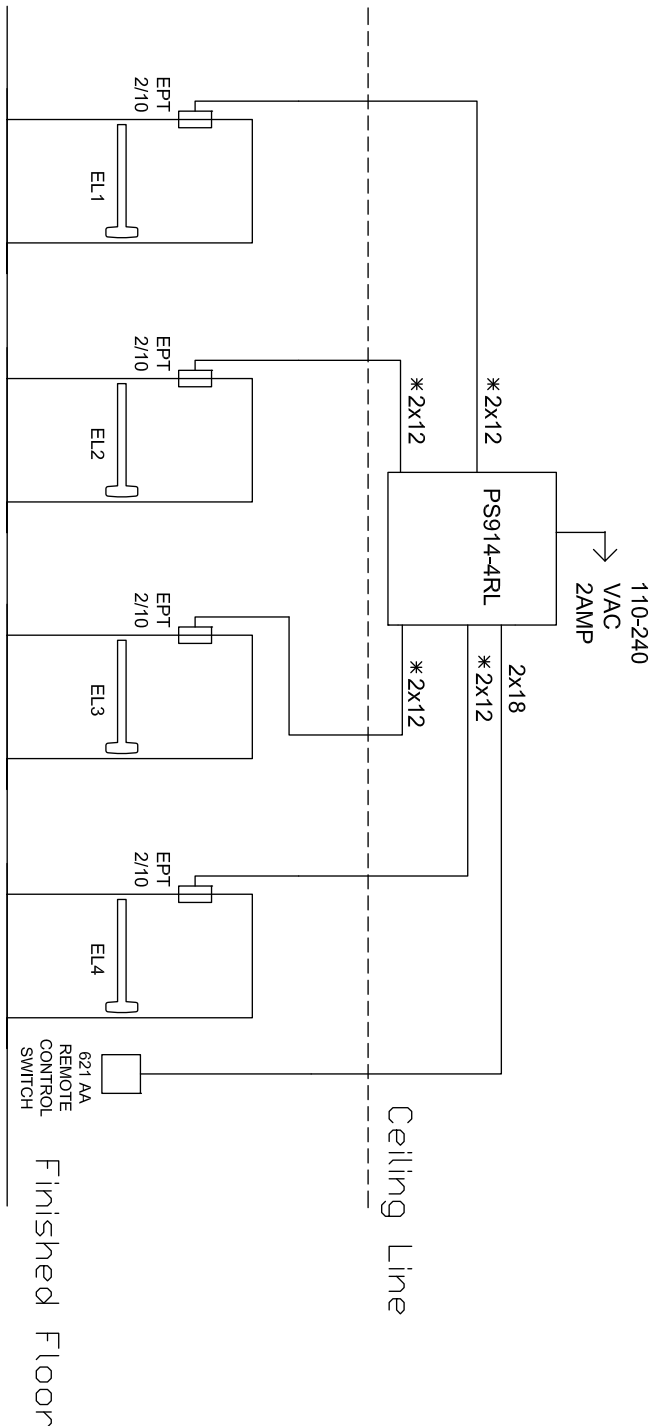
DRAWING TYPE: **WIRING DIAGRAM**

DWG NO.: **109439**

REV: **C**

DRAWN/CHECKED BY: **B DOVE / B DYE**

THIS DIAGRAM REPRESENTS A GENERIC CONFIGURATION. CUSTOM WIRING DIAGRAMS CAN BE ACQUIRED BY CONTACTING TECHNICAL SUPPORT.



NOTE:  
 \*USE #12 GAUGE WIRE FOR DISTANCES UP TO 200' FROM EPT TO PS914  
 \*USE #14 GAUGE WIRE FOR DISTANCES UP TO 100' FROM EPT TO PS914

NOTES:  
 1) ALL LDV VOLTAGE WIRING TO BE STANDARD. MULTI-CONDUCTOR CABLES CODED WITHOUT SPLICES.  
 2) WIRING TO CONFORM TO APPLICABLE NATIONAL, STATE AND LOCAL ELECTRICAL CODES.  
 3) REFER TO SPECIFIC PRODUCT INSTALLATION INSTRUCTIONS FOR SPECIFIC WIRING REQUIREMENTS.  
 4) THIS DRAWING IS FOR GRAPHICAL REPRESENTATION OF PRODUCTS DETAILED IN THE HARDWARE SET ONLY.  
 5) \* CONDUCTOR COUNT TO BE DETERMINED BY ACCESS CONTROL PANEL PROVIDER.

HARDWARE USED:  
 4 VON DUPREIN DR FALCON EL PANIC DEVICES  
 1 PS914-4RL POWER SUPPLY  
 4 EPT POWER TRANSFERS  
 621 AA REMOTE CONTROL PUSH BUTTON

TYPE  
 REMOTE 621AA PB WITH 4 ALLEGION EL DEVICES

OPERATION:  
 REMOTE CONTROL 621 AA PB TO SIGNAL ALL FOUR ELECTRIC PANIC BARS TO RETRACT FOR ENTRY. THIS CONFIGURATION REPRESENTS A NON FIRE RATED OPENING.  
 IN THIS EXAMPLE ALL WIRING CONNECTIONS ARE MADE IN PS914 ENCLOSURE.

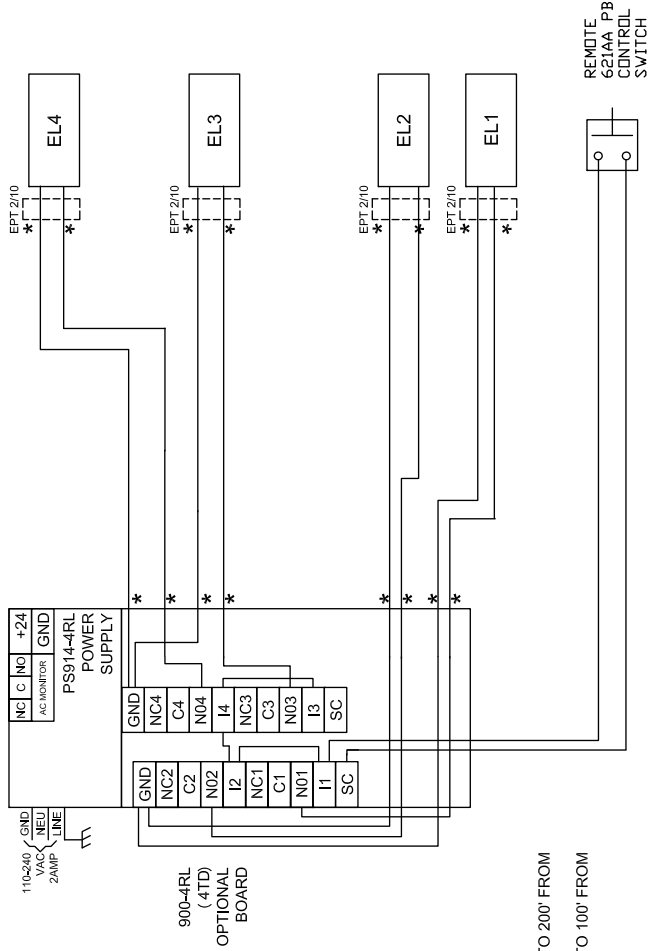
DATE DRAWN: 3-20-13  
 REVISION DATE: 3-14-14  
 copyright 2013



TITLE  
 REMOTE 621AA PB WITH 4 ALLEGION EL PANICS

DRAWING TYPE: RISER DIAGRAM  
 DWG NO: 109440  
 DRAWN/CHECKED BY: B DOVE/B DYE  
 REV: C

THIS DIAGRAM REPRESENTS A GENERIC CONFIGURATION. CUSTOM WIRING DIAGRAMS CAN BE ACQUIRED BY CONTACTING TECHNICAL SUPPORT.



NOTE:  
 \* USE #12 GAUGE WIRE FOR DISTANCES UP TO 200' FROM EPT TO PS914  
 \* USE #14 GAUGE WIRE FOR DISTANCES UP TO 100' FROM EPT TO PS914

900-4RL CARD SW2 SET SWITCH 1 AND 2 OFF  
 900-4RL CARD SW1 SET AS REQUIRED FOR TIME DELAYS  
 - SEE INSTRUCTION SHEET FOR DETAILS

- NOTES:
- 1) ALL LOW VOLTAGE WIRING TO BE STANDARD, MULTI-CONDUCTOR COLOR CODED WITHOUT SPLICES.
  - 2) WIRING TO CONFORM TO APPLICABLE NATIONAL, STATE AND LOCAL ELECTRICAL CODES.
  - 3) REFER TO SPECIFIC PRODUCT INSTALLATION INSTRUCTIONS FOR SPECIFIC WIRING REQUIREMENTS.
  - 4) THIS DRAWING IS FOR GRAPHICAL REPRESENTATION OF PRODUCTS DETAILED IN THE HARDWARE SET ONLY.
  - 5) \* CONDUCTOR COUNT TO BE DETERMINED BY ACCESS CONTROL PANEL PROVIDER.

HARDWARE USED:

- 4 VON DUPRIN OR FALCON EL PANIC DEVICES
- 1 PS914-4RL POWER SUPPLY
- 4 EPT POWER TRANSFERS
- 621 AA REMOTE CONTROL SWITCH

TYPE REMOTE 621AA PB WITH 4 ALLEGION EL DEVICES

OPERATION:  
 REMOTE CONTROL 621AA PB TO SIGNAL ALL FOUR ELECTRIC PANIC BARS TO RETRACT FOR ENTRY.  
 THIS CONFIGURATION REPRESENTS A NON FIRE RATED OPENING.  
 IN THIS EXAMPLE ALL WIRING CONNECTIONS ARE MADE IN PS914 ENCLOSURE.

DATE DRAWN: 3-20-13  
 REVISION DATE: 3-14-14  
 copyright 2013

**ALLEGION™**

TITLE: REMOTE 621AA PB WITH 4 ALLEGION EL PANICS

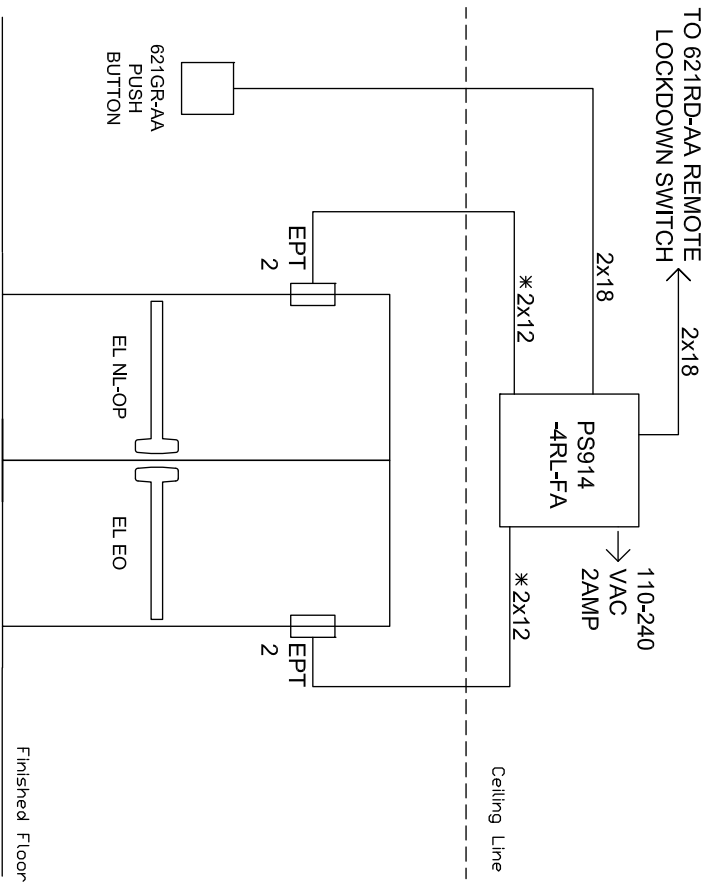
DRAWING TYPE: WIRING DIAGRAM

DWG. NO.: 109440

REV. C

DRAWN/CHECKED BY: B DOVE/ B DYE

THIS DIAGRAM REPRESENTS A GENERIC CONFIGURATION. CUSTOM WIRING DIAGRAMS CAN BE ACQUIRED BY CONTACTING TECHNICAL SUPPORT.



NOTES:  
 1) ALL LOW VOLTAGE WIRING TO BE STANDARD MULTI-CONDUCTOR CABLE CODED WITHOUT SPLICES.  
 2) WIRING TO CONFORM TO APPLICABLE NATIONAL, STATE AND LOCAL ELECTRICAL CODES.  
 3) REFER TO SPECIFIC PRODUCT INSTALLATION INSTRUCTIONS FOR SPECIFIC WIRING REQUIREMENTS.  
 4) THIS DRAWING IS FOR GRAPHICAL REPRESENTATION OF PRODUCTS DETAILED IN THE HARDWARE SET ONLY.

HARDWARE USED:

2	VONDUPRIN OR FALCON EL PANIC DEVICES
1	621GR-AA PUSH BUTTON
1	621RD-AA PUSH BUTTON
1	PS914-4RL-FA POWER SUPPLY

TYPE: EMERGENCY RELEASE OF ALLEGION EL PANIC DEVICES

OPERATION:

EL LATCHES FIELD SIGNALLED TO RETRACT BY 621GR-AA PUSH BUTTON. IN THE EVENT OF AN EMERGENCY PRESSING 621RD REMOTE PUSH BUTTON WILL CAUSE EL LATCHES TO EXTEND SECURING DOOR FROM PULL SIDE.

THIS EXAMPLE IS FOR A NON FIRE RATED APPLICATION. IN THIS EXAMPLE ALL CONNECTIONS ARE MADE IN PS914 ENCLOSURE.

DATE DRAWN	3-21-13	REVISION	DATE	3-14-14
copyright 2013				

TITLE: PS914-4RL-FA EL PAIR EMERGENCY RELEASE

**ALLEGION™**

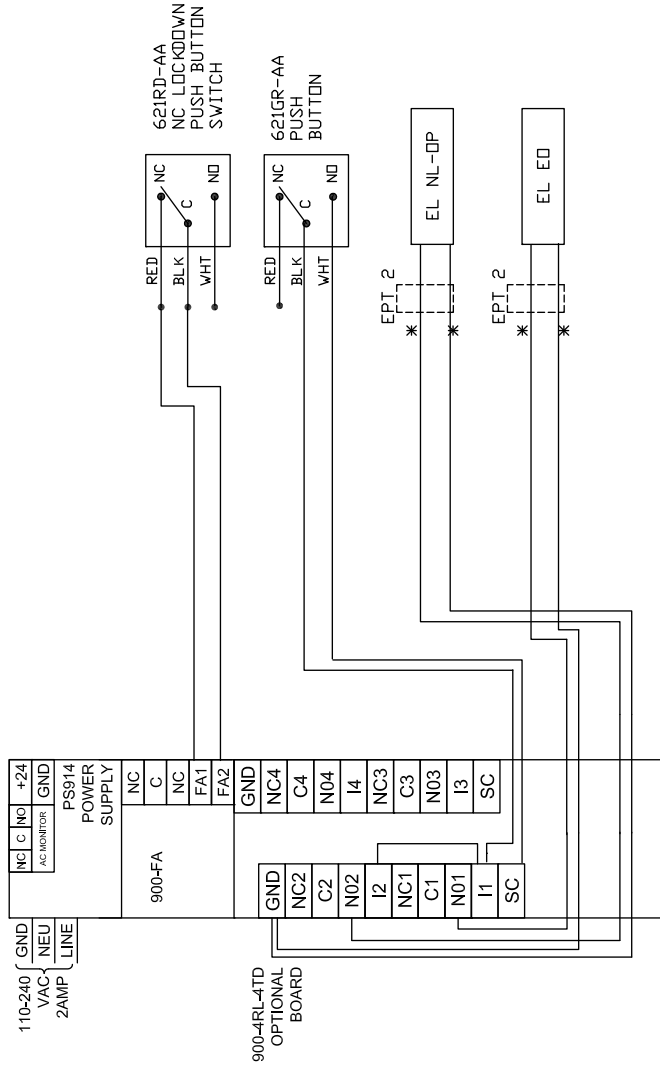
DRAWING TYPE: RISER DIAGRAM

DWG NO: 109444

DRAWN/CHECKED BY: BRENDA DOVE

REV: C

THIS DIAGRAM REPRESENTS A GENERIC CONFIGURATION. CUSTOM WIRING DIAGRAMS CAN BE ACQUIRED BY CONTACTING TECHNICAL SUPPORT.



NOTE:  
 \*USE #12 GAUGE WIRE FOR DISTANCES UP TO 200' FROM EPT TO PS914  
 \*USE #14 GAUGE WIRE FOR DISTANCES UP TO 100' FROM EPT TO PS914

- NOTES:
- 1) ALL LOW VOLTAGE WIRING TO BE STANDARD MULTI-CONDUCTOR COLOR CODED WITHOUT SPLICES.
  - 2) WIRING TO CONFORM TO APPLICABLE NATIONAL, STATE AND LOCAL ELECTRICAL CODES.
  - 3) REFER TO SPECIFIC PRODUCT INSTALLATION INSTRUCTIONS FOR SPECIFIC WIRING REQUIREMENTS.
  - 4) THIS DRAWING IS FOR GRAPHICAL REPRESENTATION OF PRODUCTS DETAILED IN THE HARDWARE SET ONLY.

- HARDWARE USED:
- 2 VONDUPRIN OR FALCON EL PANIC DEVICES
  - 1 621GR-AA PUSH BUTTON
  - 1 621RD-AA PUSH BUTTON
  - 1 PS914-4RL-FA POWER SUPPLY

TYPE EMERGENCY RELEASE OF ALLEGION EL PANIC DEVICES

OPERATION:

EL LATCHES HELD SIGNALLED TO RETRACT BY 621GR-AA PUSH BUTTON. IN THE EVENT OF AN EMERGENCY PRESSING 621RD REMOTE PUSH BUTTON WILL CAUSE EL LATCHES TO EXTEND SECURING DOOR FROM PULL SIDE.

THIS EXAMPLE IS FOR A NON FIRE RATED APPLICATION. IN THIS EXAMPLE ALL CONNECTIONS ARE MADE IN PS914 ENCLOSURE.

DATE DRAWN: 3-21-13 REVISION DATE: 3-14-14

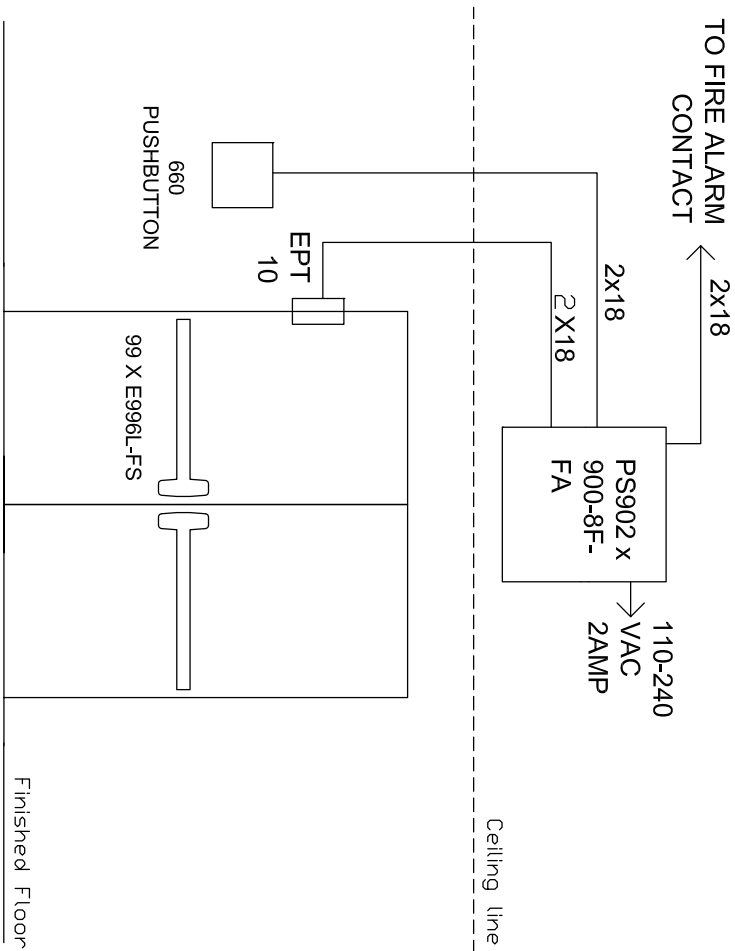
copyright 2013



TITLE: PS914-4RL-FA EL PAIR EMERGENCY RELEASE

DWG NO: 109444  
 DRAWING TYPE: WIRING DIAGRAM  
 DRAWN BY: B DOVE/  
 REV: C

THIS DIAGRAM REPRESENTS A GENERIC CONFIGURATION. CUSTOM WIRING DIAGRAMS CAN BE ACQUIRED BY CONTACTING TECHNICAL SUPPORT.

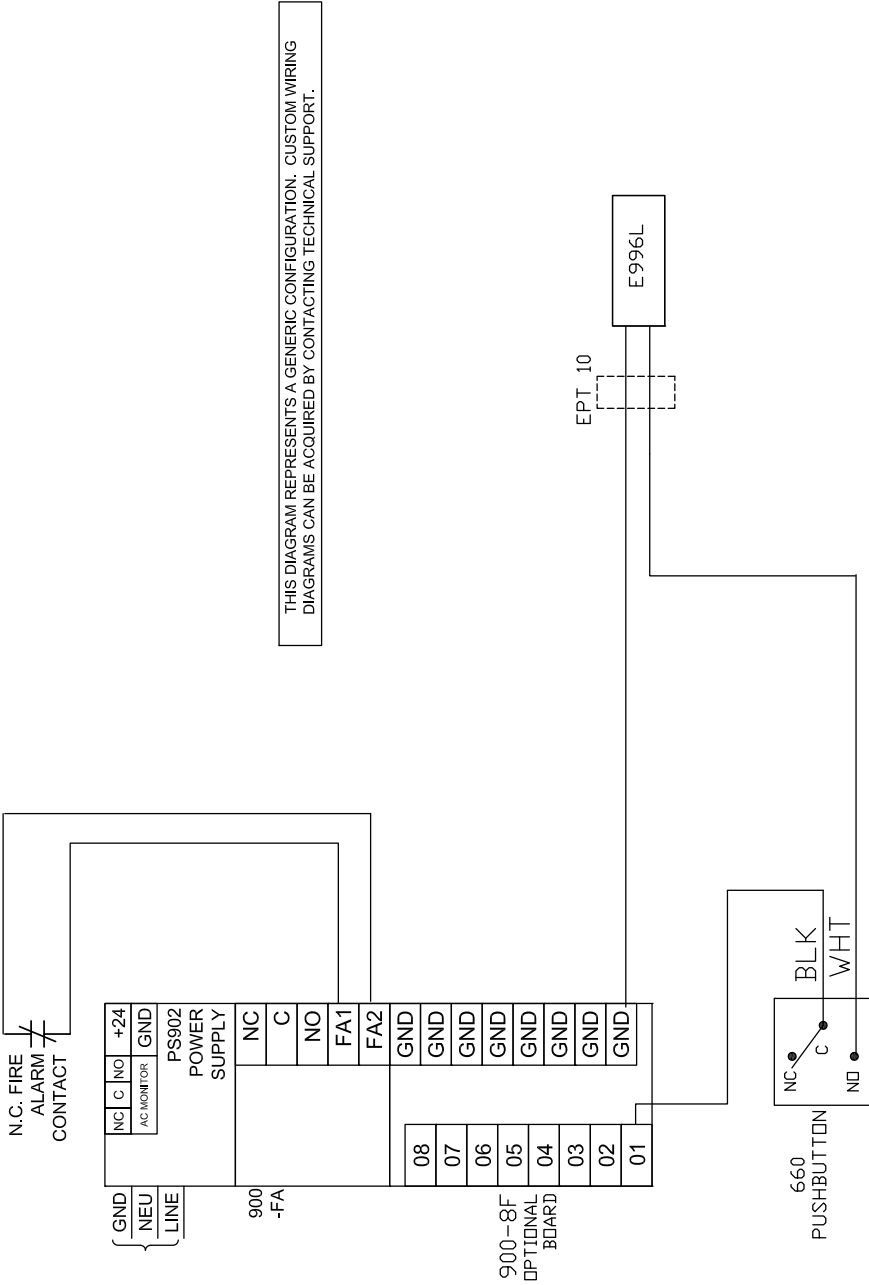


- NOTES:
- 1) ALL LOW VOLTAGE WIRING TO BE STANDARD MULTI-CONDUCTOR COLOR CODED WITHOUT SPLICES.
  - 2) WIRING TO CONFORM TO APPLICABLE NATIONAL, STATE AND LOCAL ELECTRICAL CODES.
  - 3) REFER TO SPECIFIC PRODUCT INSTALLATION INSTRUCTIONS FOR SPECIFIC WIRING REQUIREMENTS.
  - 4) THIS DRAWING IS FOR GRAPHICAL REPRESENTATION OF PRODUCTS DETAILED IN THE HARDWARE SET ONLY.
  - 5) ADDITIONAL WIRING WILL BE REQUIRED FROM ACP HANDS NOT SHOWN HERE. CONSULT PROVIDER FOR DETAILS.

HARDWARE USED:	
1	1 VD 99 x E996L FS 24VDC
1	1 PS902-8F-FA Power Supply
1	1 660 Pushbutton
Fire Alarm Contact by Others	
TYPE	
FS E996L WITH 660 PB AND FIRE ALARM RELEASE	

OPERATION:	
660 PUSHBUTTON TO RELEASE FAIL SAFE E996L FOR AUTHORIZED ENTRY.	
FIRE ALARM CONTACT TO RELEASE THE ELECTRIC TRIM TO ALLOW ENTRY.	
IN THIS EXAMPLE ALL WIRING CONNECTIONS ARE MADE IN PS902 ENCLOSURE.	
DATE DRAWN	REVISION DATE
3-21-13	3-21-13
copyright 2013	

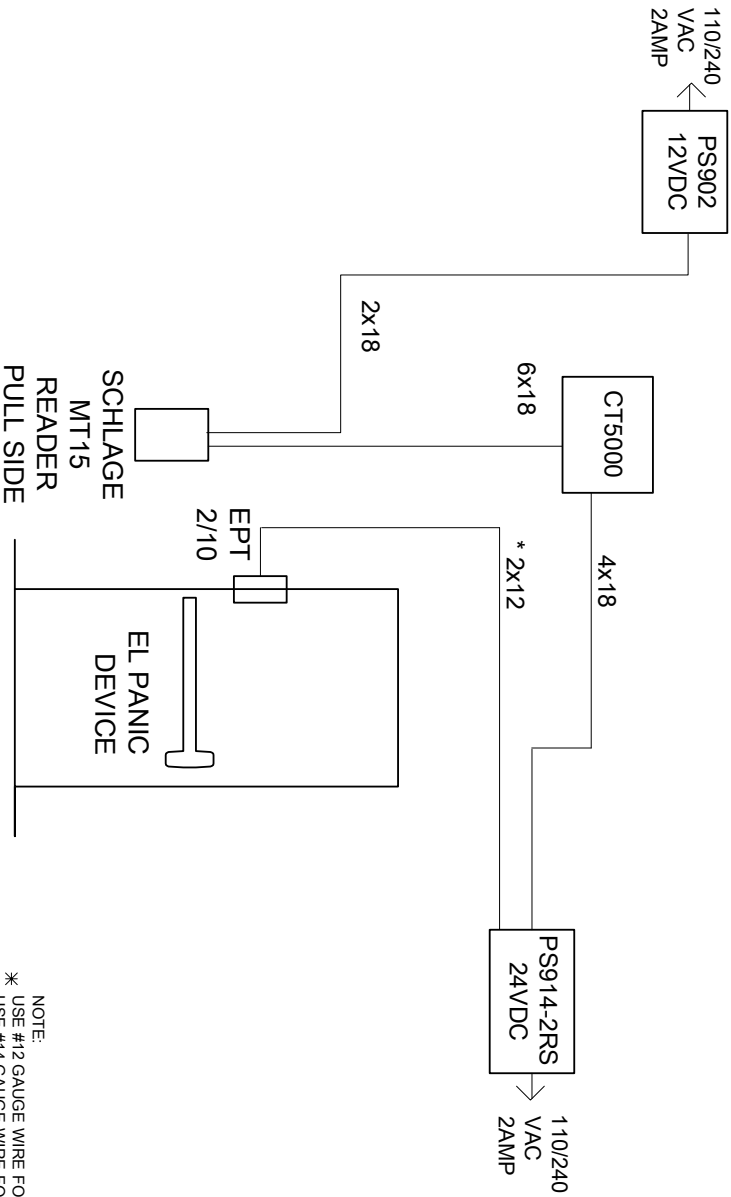
		TITLE:	
		FS E996L WITH PS902-8F-FA	
DRAWING TYPE:	DWG NO.:	REV	
RISER DIAGRAM	109445	B	DOVE
			A



THIS DIAGRAM REPRESENTS A GENERIC CONFIGURATION. CUSTOM WIRING DIAGRAMS CAN BE ACQUIRED BY CONTACTING TECHNICAL SUPPORT.

<p><b>ALLEGION™</b></p> <p>FS E996L WITH PS902-8F-FA</p>	
<p>OPERATION: 660 PUSHBUTTON TO RELEASE FAIL SAFE E996L FOR AUTHORIZED ENTRY. FIRE ALARM CONTACT TO RELEASE THE ELECTRIC TRIM TO ALLOW ENTRY. IN THIS EXAMPLE ALL WIRING CONNECTIONS ARE MADE IN PS902 ENCLOSURE.</p>	
<p>HARDWARE USED: 1 VD 99 x E996L FS 24VDC 1 PS902-8F-FA Power Supply 1 660 Pushbutton Fire Alarm Contact by Others</p>	
<p>NOTES: 1) ALL LOW VOLTAGE WIRING TO BE STANDARD, MULTI-CONDUCTOR COLOR CODED WITHOUT SPLICES. 2) WIRING TO CONFORM TO APPLICABLE NATIONAL, STATE AND LOCAL ELECTRICAL CODES. 3) REFER TO SPECIFIC PRODUCT INSTALLATION INSTRUCTIONS FOR SPECIFIC WIRING REQUIREMENTS. 4) THIS DRAWING IS FOR GRAPHICAL REPRESENTATION OF PRODUCTS DETAILED IN THE HARDWARE SET ONLY. 5) ADDITIONAL WIRING WILL BE REQUIRED FROM ACP THAT IS NOT SHOWN HERE. CONSULT PROVIDER FOR DETAILS.</p>	
<p>DATE DRAWN: 3-21-13</p>	<p>REVISION DATE: 3-21-13</p>
<p>copyright 2013</p>	
<p>TITLE: WIRING DIAGRAM</p>	<p>DWG NO.: 109445</p>
<p>DRAWING TYPE: WIRING DIAGRAM</p>	<p>REV A</p>

THIS DIAGRAM REPRESENTS A GENERIC CONFIGURATION. CUSTOM WIRING DIAGRAMS CAN BE ACQUIRED BY CONTACTING TECHNICAL SUPPORT.



NOTE:  
 \* USE #12 GAUGE WIRE FOR DISTANCES UP TO 200' FROM EPT TO PS914.  
 \* USE #14 GAUGE WIRE FOR DISTANCES UP TO 100' FROM EPT TO PS914.

NOTES:  
 1) ALL LOW VOLTAGE WIRING TO BE STANDARD, MULTI-CONDUCTOR COLOR CODED WITHOUT SPLICES.  
 2) WIRING TO CONFORM TO APPLICABLE NATIONAL, STATE AND LOCAL ELECTRICAL CODES.  
 3) REFER TO SPECIFIC PRODUCT INSTALLATION INSTRUCTIONS FOR SPECIFIC WIRING REQUIREMENTS.  
 4) THIS DRAWING IS FOR GRAPHICAL REPRESENTATION OF PRODUCTS DETAILED IN THE HARDWARE SET ONLY.  
 5) \* CONDUCTOR COUNT TO BE DETERMINED BY ACCESS CONTROL PANEL PROVIDER.

HARDWARE USED:  
 1 CT5000  
 1 MT15 SCHLAGE READER  
 1 VD DR FALCON EL PANIC  
 1 EPT2/10  
 1 PS902  
 1 PS914-2RS

TYPE ACCESS CONTROL WITH EL PANIC

OPERATION:  
 SCHLAGE MT15 READER TO RETRACT THE ELECTRIC LATCH ON PANIC BAR TO ALLOW ENTRY. FREE EGRESS ALWAYS PERMITTED  
 THIS IS NOT A FIRE RATED APPLICATION

DATE DRAWN: 3-26-13  
 REVISION DATE: 07-03-17



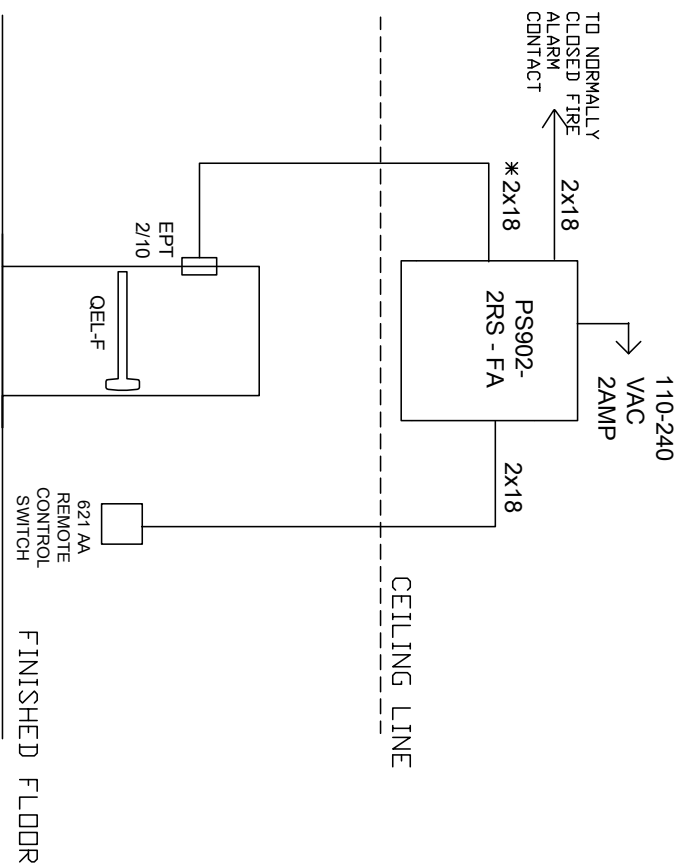
TITLE  
 CT5000 WITH EL AND PS914-2RS AND PS902

DRAWING TYPE: RISER DIAGRAM  
 DWG NO: 109499  
 DRAWN/CHECKED BY: BRENDA DOVE  
 REV: B





THIS DIAGRAM REPRESENTS A GENERIC CONFIGURATION. CUSTOM WIRING DIAGRAMS CAN BE ACQUIRED BY CONTACTING TECHNICAL SUPPORT.



NOTE:  
 \* USE #18 GAUGE WIRE FOR DISTANCES UP TO 200'  
 FROM EPT TO PS902  
 \* USE #14 GAUGE WIRE FOR DISTANCES UP TO 500'  
 FROM EPT TO PS902  
 SET PS902 TO 24VDC

NOTES:  
 1) ALL LOW VOLTAGE WIRING TO BE STANDARD, MULTI-CONDUCTOR COLOR CODED WITHOUT SPLICES.  
 2) WIRING TO CONFORM TO APPLICABLE NATIONAL, STATE AND LOCAL ELECTRICAL CODES.  
 3) REFER TO SPECIFIC PRODUCT INSTALLATION INSTRUCTIONS FOR SPECIFIC WIRING REQUIREMENTS.  
 4) THIS DRAWING IS FOR GRAPHICAL REPRESENTATION OF PRODUCTS DETAILED IN THE HARDWARE SET ONLY.  
 5) \* CONDUCTOR COUNT TO BE DETERMINED BY ACCESS CONTROL PANEL PROVIDER.

HARDWARE USED:  
 1 VDN DUPLEX RATED QEL PANIC DEVICES  
 1 PS902-2RS POWER SUPPLY  
 1 EPT POWER TRANSFERS  
 1 621 AA REMOTE CONTROL PUSH BUTTON  
 1 FIRE ALARM CONTACT

TYPE REMOTE 621AA PB WITH SINGLE FIRE RATED ALLEGION QEL DEVICES

OPERATION:  
 REMOTE CONTROL 621 AA PB TO SIGNAL SINGLE QEL ELECTRIC PANIC BAR TO RETRACT FOR ENTRY.  
 RELEASING 621 AA PUSH BUTTON OR FIRE ALARM TO CAUSE QEL LATCHES TO EXTEND.  
 IN THIS EXAMPLE ALL WIRING CONNECTIONS ARE MADE IN PS902 ENCLOSURE.

DATE DRAWN: 02-16-18 REVISION DATE: 02-16-18



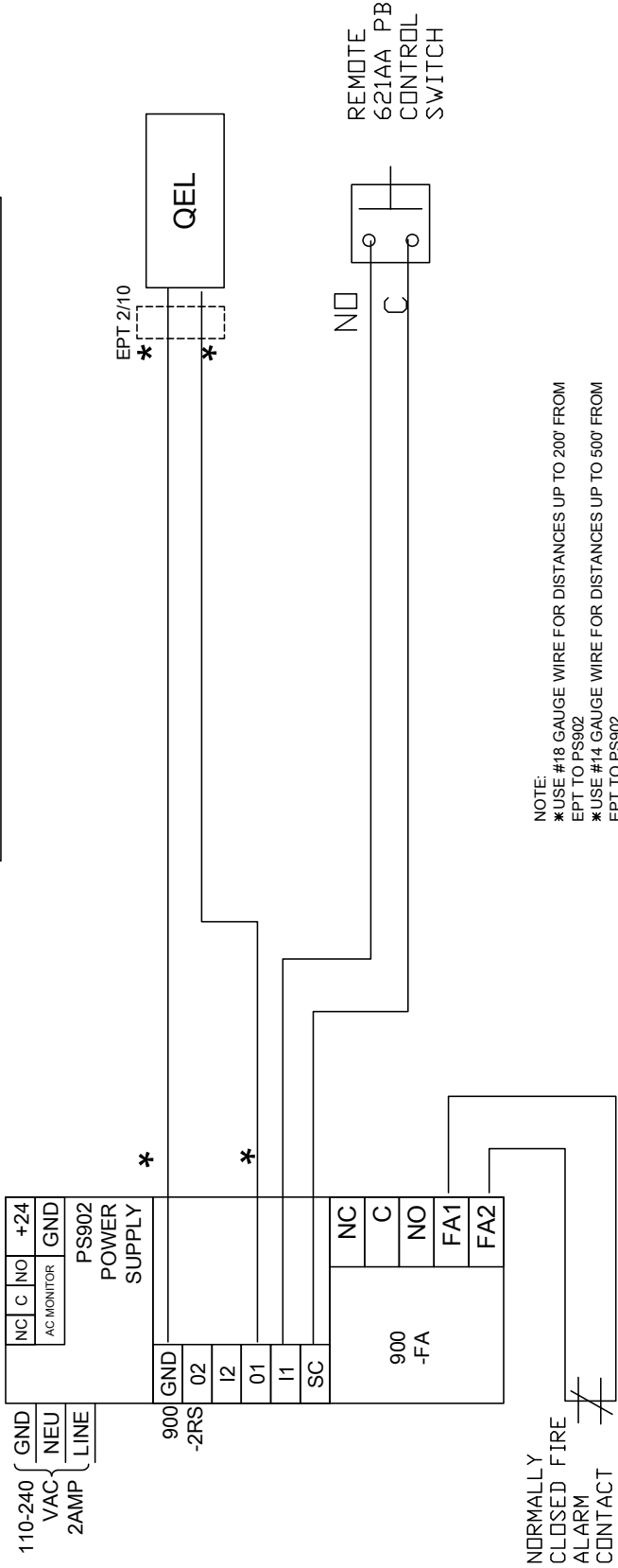
TITLE:  
 REMOTE 621AA PB WITH SINGLE FIRE RATED ALLEGION QEL PANICS

DRAWING TYPE:  
 RISER DIAGRAM

DWG NO.: 112133R  
 DRAWN/CHECKED BY: B DOVE

REV: A

THIS DIAGRAM REPRESENTS A GENERIC CONFIGURATION. CUSTOM WIRING DIAGRAMS CAN BE ACQUIRED BY CONTACTING TECHNICAL SUPPORT.

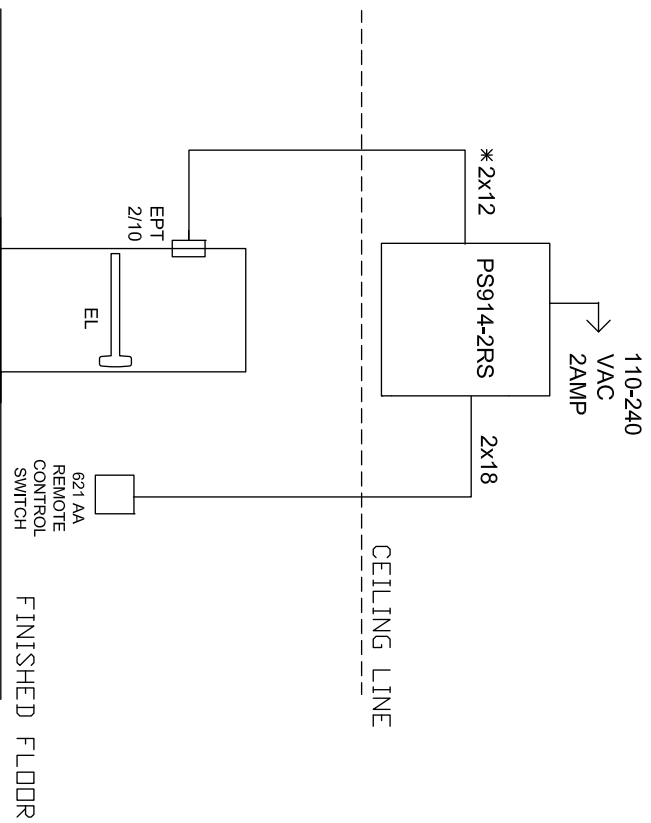


NOTE:  
 \*USE #18 GAUGE WIRE FOR DISTANCES UP TO 200' FROM EPT TO PS902  
 \*USE #14 GAUGE WIRE FOR DISTANCES UP TO 500' FROM EPT TO PS902  
 SET PS902 TO 24VDC

NORMALLY CLOSED FIRE ALARM CONTACT

<p>NOTES:</p> <ol style="list-style-type: none"> <li>ALL LOW VOLTAGE WIRING TO BE STANDARD, MULTI-CONDUCTOR COLOR CODED WITHOUT SPLICES.</li> <li>WIRING TO CONFORM TO APPLICABLE NATIONAL, STATE AND LOCAL ELECTRICAL CODES.</li> <li>REFER TO SPECIFIC PRODUCT INSTALLATION INSTRUCTIONS FOR SPECIFIC WIRING REQUIREMENTS.</li> <li>THIS DRAWING IS FOR GRAPHICAL REPRESENTATION OF PRODUCTS DETAILED IN THE HARDWARE SET ONLY.</li> </ol>	<p>HARDWARE USED:</p> <ul style="list-style-type: none"> <li>1 VDN DUPRIN RATED QEL PANIC DEVICES</li> <li>1 PS902-2RS POWER SUPPLY</li> <li>1 EPT POWER TRANSFERS</li> <li>1 621 AA REMOTE CONTROL PUSH BUTTON</li> <li>1 FIRE ALARM CONTACT</li> </ul>	<p>OPERATION:</p> <p>REMOTE CONTROL 621 AA PB TO SIGNAL SINGLE QEL ELECTRIC PANIC BAR TO RETRACT FOR ENTRY.</p> <p>RELEASING 621 AA PUSH BUTTON OR FIRE ALARM TO CAUSE QEL LATCHES TO EXTEND.</p> <p>IN THIS EXAMPLE ALL WIRING CONNECTIONS ARE MADE IN PS902 ENCLOSURE.</p>	<p>ALLEGION™</p>
	<p>DATE DRAWN: 02-16-18</p> <p>REVISION DATE: 02-16-18</p>	<p>REVISION TYPE: WIRING DIAGRAM</p> <p>DWG NO: 112133W</p> <p>REV: A</p>	<p>TITLE: REMOTE 621AA PB WITH SINGLE FIRE RATED ALLEGION QEL PANICS</p> <p>DRAWING TYPE: WIRING DIAGRAM</p> <p>DRAWN BY: B DOVE</p>

THIS DIAGRAM REPRESENTS A GENERIC CONFIGURATION. CUSTOM WIRING DIAGRAMS CAN BE ACQUIRED BY CONTACTING TECHNICAL SUPPORT.



NOTE:  
 \*USE #12 GAUGE WIRE FOR DISTANCES UP TO 200' FROM EPT TO PS914  
 \*USE #14 GAUGE WIRE FOR DISTANCES UP TO 100' FROM EPT TO PS914  
 SETP PS914 TO 24VDC

NOTES:  
 1) ALL LOW VOLTAGE WIRING TO BE STANDARD MULTI-CONDUCTOR COLOR CODED WITHOUT SPLICES.  
 2) WIRING TO CONFORM TO APPLICABLE NATIONAL, STATE AND LOCAL ELECTRICAL CODES.  
 3) REFER TO SPECIFIC PRODUCT INSTALLATION INSTRUCTIONS FOR SPECIFIC WIRING REQUIREMENTS.  
 4) THIS DRAWING IS FOR GRAPHICAL REPRESENTATION OF PRODUCTS DETAILED IN THE HARDWARE SET ONLY.  
 5) \* CONDUCTOR COUNT TO BE DETERMINED BY ACCESS CONTROL PANEL PROVIDER.

HARDWARE USED:	1 VDN DUPRIN DR FALCON EL PANIC DEVICES 1 PS914-GRS POWER SUPPLY 1 EPT POWER TRANSFERS 1 621 AA REMOTE CONTROL PUSH BUTTON
TYPE	REMOTE 621AA PB WITH SINGLE ALLEGION EL DEVICES

OPERATION:	REMOTE CONTROL 621 AA PB TO SIGNAL SINGLE EL ELECTRIC PANIC BAR TO RETRACT FOR ENTRY. THIS CONFIGURATION REPRESENTS A NON FIRE RATED OPENING. IN THIS EXAMPLE ALL WIRING CONNECTIONS ARE MADE IN PS914 ENCLOSURE.
DATE DRAWN:	5-3-13
REVISION DATE:	3-14-14
copyright 2013	

**ALLEGION™**

TITLE: REMOTE 621AA PB WITH SINGLE ALLEGION EL PANICS

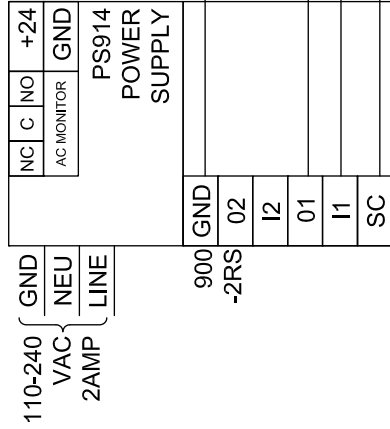
DRAWING TYPE: RISER DIAGRAM

DWG NO: 109550

DRAWN/CHECKED BY: B DOVE

REV: C

THIS DIAGRAM REPRESENTS A GENERIC CONFIGURATION. CUSTOM WIRING DIAGRAMS CAN BE ACQUIRED BY CONTACTING TECHNICAL SUPPORT.



REMOTE  
621AA PB  
CONTROL  
SWITCH

NOTE:  
 \* USE #12 GAUGE WIRE FOR DISTANCES UP TO 200' FROM EPT TO PS914  
 \* USE #14 GAUGE WIRE FOR DISTANCES UP TO 100' FROM EPT TO PS914  
 SET PS914 TO 24VDC

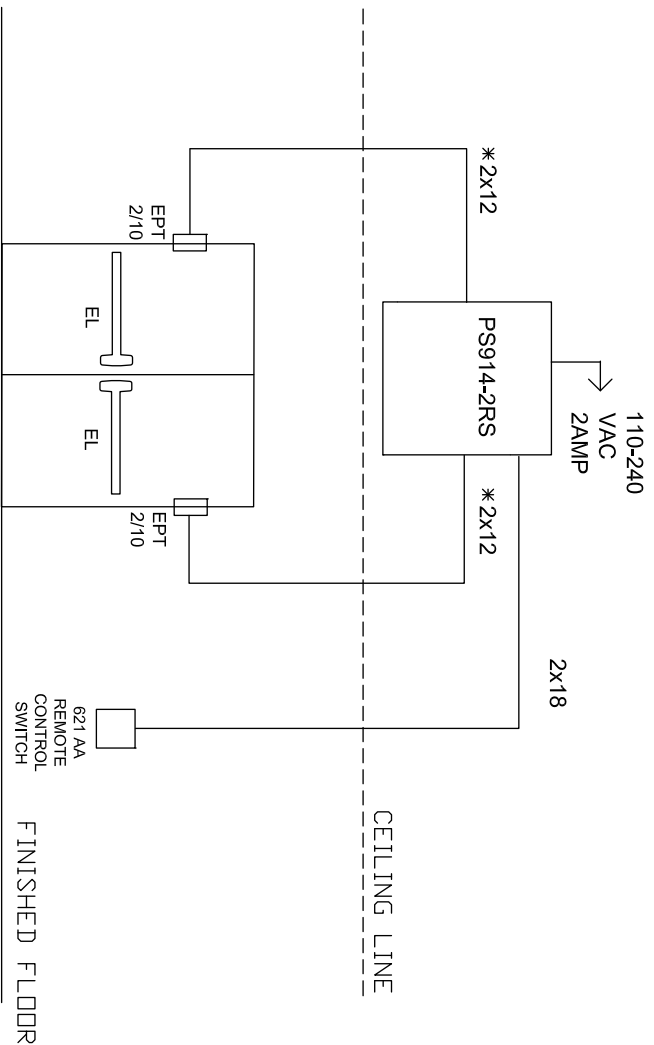
NOTES:  
 1) ALL LOW VOLTAGE WIRING TO BE STANDARD, MULTI-CONDUCTOR COLOR CODED WITHOUT SPLICES.  
 2) WIRING TO CONFORM TO APPLICABLE NATIONAL, STATE AND LOCAL ELECTRICAL CODES.  
 3) REFER TO SPECIFIC PRODUCT INSTALLATION INSTRUCTIONS FOR SPECIFIC WIRING REQUIREMENTS.  
 4) THIS DRAWING IS FOR GRAPHICAL REPRESENTATION OF PRODUCTS DETAILED IN THE HARDWARE SET ONLY.

HARDWARE USED:  
 1 VON DUPRIN DR FALCON EL PANIC DEVICES  
 1 PS914-2RS POWER SUPPLY  
 1 EPT POWER TRANSFERS  
 621 AA REMOTE CONTROL SWITCH  
 TYPE  
 REMOTE 621AA PB WITH SINGLE ALLEGION EL DEVICES

OPERATION:  
 REMOTE CONTROL 621AA PB TO SIGNAL SINGLE ELECTRIC PANIC BARS TO RETRACT FOR ENTRY.  
 THIS CONFIGURATION REPRESENTS A NON FIRE RATED OPENING.  
 IN THIS EXAMPLE ALL WIRING CONNECTIONS ARE MADE IN PS914 ENCLOSURE.  
 DATE DRAWN 5-3-13 REVISION DATE 3-14-14  
 copyright 2013

TITLE: REMOTE 621AA PB WITH SINGLE ALLEGION EL PANICS  
 DRAWING TYPE: WIRING DIAGRAM  
 DWG NO: 109550  
 REV: C  
 DRAWN BY: B DOVE

THIS DIAGRAM REPRESENTS A GENERIC CONFIGURATION. CUSTOM WIRING DIAGRAMS CAN BE ACQUIRED BY CONTACTING TECHNICAL SUPPORT.



NOTE:  
 \* USE #12 GAUGE WIRE FOR DISTANCES UP TO 200' FROM EPT TO PS914  
 \* USE #14 GAUGE WIRE FOR DISTANCES UP TO 100' FROM EPT TO PS914  
 SET PS914 TO 24VDC

NOTES:  
 1) ALL LOW VOLTAGE WIRING TO BE STANDARD MULTI-CONDUCTOR CORD OR CODED WITHOUT SPLICES.  
 2) WIRING TO CONFORM TO APPLICABLE NATIONAL, STATE AND LOCAL ELECTRICAL CODES.  
 3) REFER TO SPECIFIC PRODUCT INSTALLATION INSTRUCTIONS FOR SPECIFIC WIRING REQUIREMENTS.  
 4) THIS DRAWING IS FOR GRAPHICAL REPRESENTATION OF PRODUCTS DETAILED IN THE HARDWARE SET ONLY.

HARDWARE USED:  
 2 VDR, DUPREIN OR FALCON EL PANIC DEVICES  
 1 PS914-2RS POWER SUPPLY  
 2 EPT POWER TRANSFERS  
 1 621 AA REMOTE CONTROL PUSH BUTTON

TYPE:  
 REMOTE 621AA PB WITH PAIR ALLEGION EL DEVICES

OPERATION:  
 REMOTE CONTROL 621 AA PB TO SIGNAL PAIR EL ELECTRIC PANIC BAR TO RETRACT FOR ENTRY.  
 THIS CONFIGURATION REPRESENTS A NON FIRE RATED OPENING.  
 IN THIS EXAMPLE ALL WIRING CONNECTIONS ARE MADE IN PS914 ENCLOSURE.

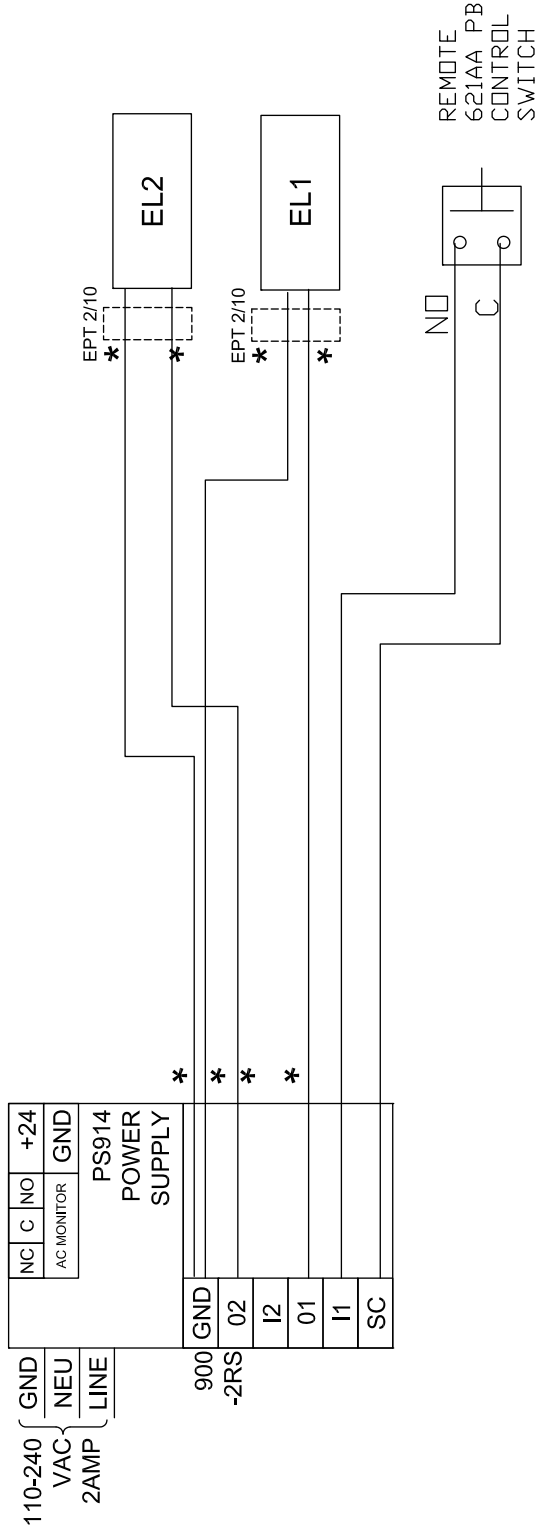
DATE DRAWN: 5-3-13 REVISION DATE: 3-14-14  
 copyright 2013



TITLE:  
 REMOTE 621AA PB WITH PAIR ALLEGION EL PANICS

DRAWING TYPE: RISER DIAGRAM  
 DWG NO: 109551  
 DRAWN/CHECKED BY: B DOVE  
 REV: C

THIS DIAGRAM REPRESENTS A GENERIC CONFIGURATION. CUSTOM WIRING DIAGRAMS CAN BE ACQUIRED BY CONTACTING TECHNICAL SUPPORT.



NOTE:  
 \*USE #12 GAUGE WIRE FOR DISTANCES UP TO 200' FROM EPT TO PS914  
 \*USE #14 GAUGE WIRE FOR DISTANCES UP TO 100' FROM EPT TO PS914

SET PS914 TO 24VDC

NOTES:  
 1) ALL LOW VOLTAGE WIRING TO BE STANDARD, MULTI-CONDUCTOR COLOR CODED WITHOUT SPLICES.  
 2) WIRING TO CONFORM TO APPLICABLE NATIONAL, STATE AND LOCAL ELECTRICAL CODES.  
 3) REFER TO SPECIFIC PRODUCT INSTALLATION INSTRUCTIONS FOR SPECIFIC WIRING REQUIREMENTS.  
 4) THIS DRAWING IS FOR GRAPHICAL REPRESENTATION OF PRODUCTS DETAILED IN THE HARDWARE SET ONLY.

HARDWARE USED:  
 2 VON DUPREIN OR FALCON FIRE RATED EL PANIC DEVICES  
 1 PS914-2RS POWER SUPPLY  
 2 EPT POWER TRANSFERS  
 621 AA REMOTE CONTROL SWITCH

TYPE REMOTE 621AA PB WITH PAIR NON FIRE RATED ALLEGION EL DEVICES

OPERATION:  
 REMOTE CONTROL 621AA PB TO SIGNAL PAIR ELECTRIC PANIC BARS TO RETRACT FOR ENTRY.

THIS EXAMPLE IS A NON FIRE RATED APPLICATION.

IN THIS EXAMPLE ALL WIRING CONNECTIONS ARE MADE IN PS914 ENCLOSURE.

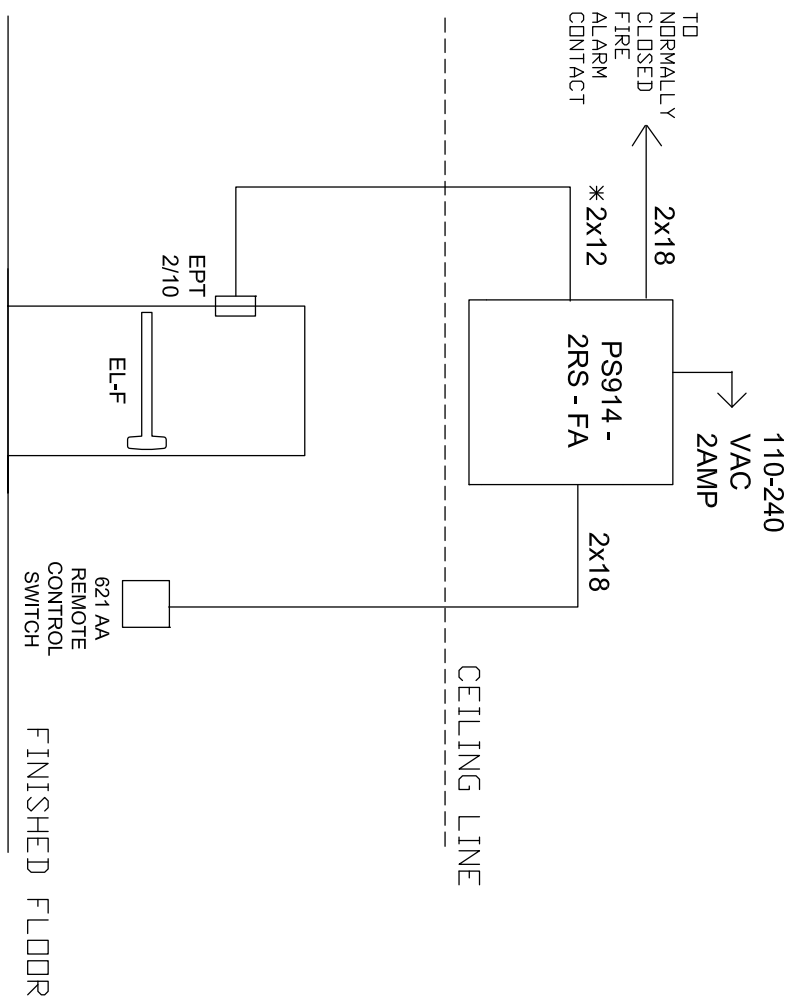
DATE DRAWN 5-3-13 REVISION DATE 3-14-14  
 copyright 2013



TITLE: REMOTE 621AA PB WITH PAIR NON FIRE RATED ALLEGION EL PANICS

DWG NO: 109551  
 DRAWING TYPE: WIRING DIAGRAM  
 REV: C  
 DRAWN BY: B DOVE

THIS DIAGRAM REPRESENTS A GENERIC CONFIGURATION. CUSTOM WIRING DIAGRAMS CAN BE ACQUIRED BY CONTACTING TECHNICAL SUPPORT.



NOTE:  
 \*USE #12 GAUGE WIRE FOR DISTANCES UP TO 200' FROM EPT TO PS914  
 \*USE #14 GAUGE WIRE FOR DISTANCES UP TO 100' FROM EPT TO PS914  
 SETP PS914 TO 24VDC

NOTES:  
 1) ALL LDV VOLTAGE WIRING TO BE STANDARD, MULTI-CONDUCTOR COLOR CODED WITHOUT SPLICES.  
 2) WIRING TO CONFORM TO APPLICABLE NATIONAL, STATE AND LOCAL ELECTRICAL CODES.  
 3) REFER TO SPECIFIC PRODUCT INSTALLATION INSTRUCTIONS FOR SPECIFIC WIRING REQUIREMENTS.  
 4) THIS DRAWING IS FOR GRAPHICAL REPRESENTATION OF PRODUCT'S DETAILED IN THE HARDWARE SET ONLY.  
 5) ADDITIONAL WIRING WILL BE REQUIRED FROM APP THAT IS NOT SHOWN HERE. CONSULT PROVIDER FOR DETAILS.

HARDWARE USED:  
 1 VON DUPREIN OR FALCON FIRE RATED EL PANIC DEVICES  
 1 PS914-2RS POWER SUPPLY  
 1 EPT POWER TRANSFERS  
 1 621 AA REMOTE CONTROL PUSH BUTTON  
 1 FIRE ALARM CONTACT  
 TYPE REMOTE 621AA PB WITH SINGLE FIRE RATED EL DEVICES

OPERATION:  
 REMOTE CONTROL 621 AA PB TO SIGNAL SINGLE EL ELECTRIC PANIC BAR TO RETRACT FOR ENTRY.  
 RELEASING 621 AA PUSH BUTTON OR FIRE ALARM TO CAUSE EL LATCHES TO EXTEND.  
 IN THIS EXAMPLE ALL WIRING CONNECTIONS ARE MADE IN PS914 ENCLOSURE.

DATE DRAWN: 5-3-13 REVISION DATE: 5-3-13  
 copyright 2013

**ALLEGION™**

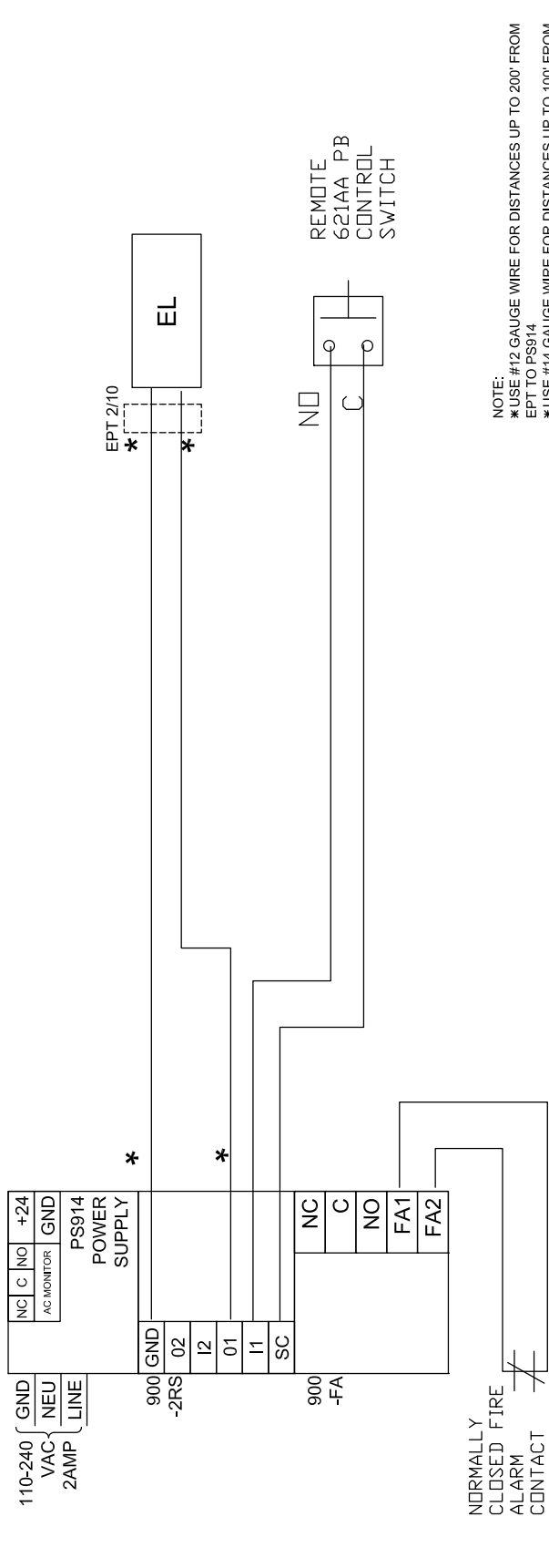
TITLE: REMOTE 621AA PB WITH SINGLE FIRE RATED EL PANICS  
 DRAWING TYPE: RISER DIAGRAM

DWG NO: 109552  
 DRAWN/CHECKED BY: B DOWE

REV: A



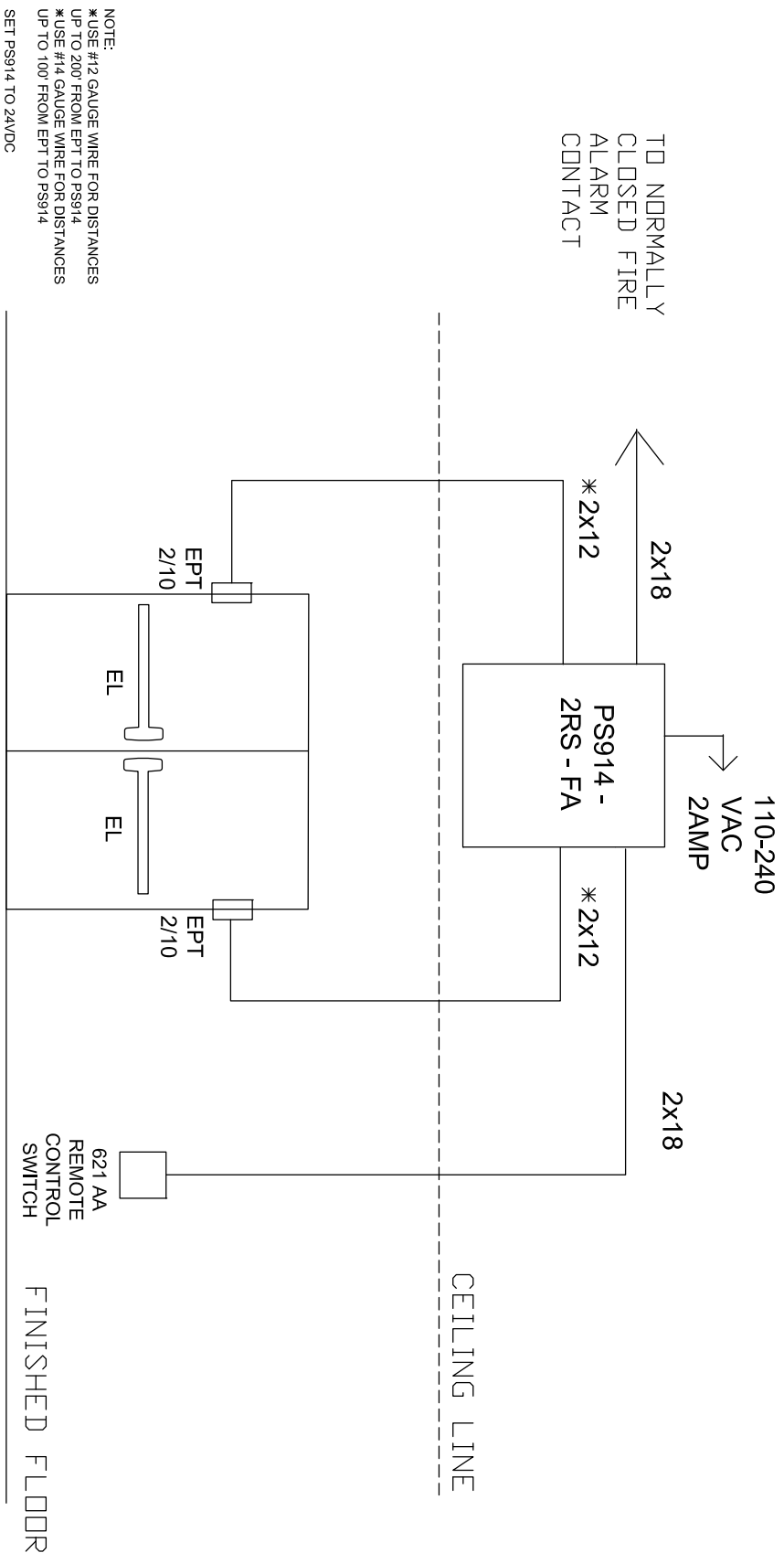
THIS DIAGRAM REPRESENTS A GENERIC CONFIGURATION. CUSTOM WIRING DIAGRAMS CAN BE ACQUIRED BY CONTACTING TECHNICAL SUPPORT.



NOTE:  
 \*USE #12 GAUGE WIRE FOR DISTANCES UP TO 200' FROM EPT TO PS914  
 \*USE #14 GAUGE WIRE FOR DISTANCES UP TO 100' FROM EPT TO PS914  
 SET PS914 TO 24VDC

	<p>OPERATION:                  REMOTE CONTROL 621AA PB TO SIGNAL SINGLE ELECTRIC PANIC BARS TO RETRACT FOR ENTRY.                  RELEASING 621AA PUSH BUTTON OR FIRE ALARM TO CAUSE EL LATCHES TO EXTEND.</p>	<p>HARDWARE USED:                  1 VON DUPRIN OR FALCON FIRE RATED EL PANIC DEVICES                  1 PS914-2RS POWER SUPPLY                  1 EPT POWER TRANSFERS                  621 AA REMOTE CONTROL SWITCH                  1 FIRE ALARM CONTACT</p>	<p>NOTES:                  1) ALL LOW VOLTAGE WIRING TO BE STANDARD, MULTI-CONDUCTOR COLOR CODED WITHOUT SPLICES.                  2) WIRING TO CONFORM TO APPLICABLE NATIONAL, STATE AND LOCAL ELECTRICAL CODES.                  3) REFER TO SPECIFIC PRODUCT INSTALLATION INSTRUCTIONS FOR SPECIFIC WIRING REQUIREMENTS.                  4) THIS DRAWING IS FOR GRAPHICAL REPRESENTATION OF PRODUCTS DETAILED IN THE HARDWARE SET ONLY.                  5) ADDITIONAL WIRING WILL BE REQUIRED FROM ACP THAT IS NOT SHOWN HERE. CONSULT PROVIDER FOR DETAILS.</p>
<p>TITLE:                  REMOTE 621AA PB WITH SINGLE FIRE RATED EL PANICS</p>	<p>DATE DRAWN: 5-3-13 REVISION DATE: 5-3-13                  copyright 2013</p>	<p>TYPE:                  REMOTE 621AA PB WITH SINGLE FIRE RATED EL DEVICES</p>	<p>DWG NO: 109552                  DRAWING TYPE: WIRING DIAGRAM                  DRAWN/CHECKED BY: B DOVE                  REV: A</p>

THIS DIAGRAM REPRESENTS A GENERIC CONFIGURATION. CUSTOM WIRING DIAGRAMS CAN BE ACQUIRED BY CONTACTING TECHNICAL SUPPORT.



NOTES:  
 1) ALL LOW VOLTAGE WIRING TO BE STANDARD, MULTI-CONDUCTOR COLOR CODED WITHOUT SPLICES.  
 2) WIRING TO CONFORM TO APPLICABLE NATIONAL, STATE AND LOCAL ELECTRICAL CODES.  
 3) REFER TO SPECIFIC PRODUCT INSTALLATION INSTRUCTIONS FOR GRAPHICAL REPRESENTATIONS OF PRODUCTS DETAILED IN THE HARDWARE SET ONLY.  
 4) THIS DRAWING IS FOR GRAPHICAL REPRESENTATIONS OF PRODUCTS DETAILED IN THE HARDWARE SET ONLY.  
 5) ADDITIONAL WIRING WILL BE REQUIRED FROM ACP THAT IS NOT SHOWN HERE. CONSULT PROVIDER FOR DETAILS.

HARDWARE USED:  
 2 VIN DUPRIN OR FALCON FIRE RATED EL PANIC DEVICES  
 1 PS914-2RS-FA POWER SUPPLY  
 2 EPT POWER TRANSFERS  
 1 621 AA REMOTE CONTROL PUSH BUTTON  
 1 FIRE ALARM CONTACT  
 TYPE REMOTE 621AA PB WITH PAIR FIRE RATED EL DEVICES

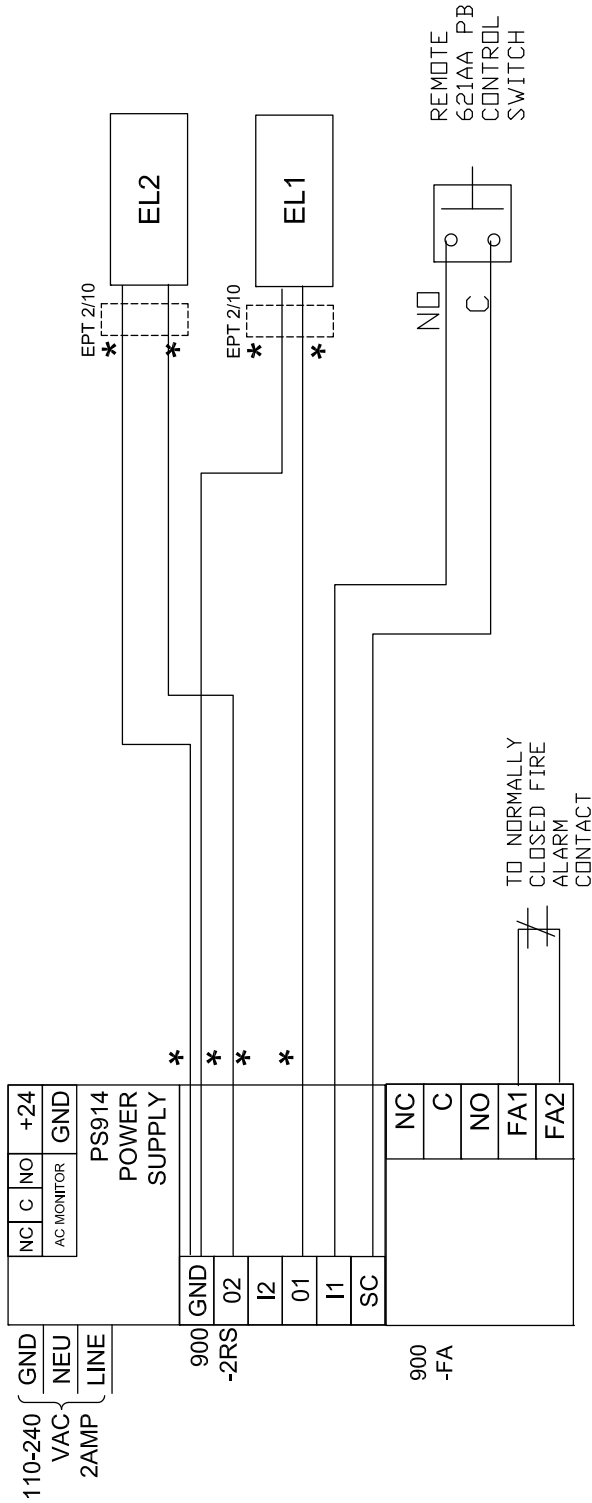
OPERATION:  
 REMOTE CONTROL 621 AA PB TO SIGNAL PAIR FIRE RATED EL ELECTRIC PANIC BAR TO RETRACT FOR ENTRY.  
 RELEASING 621AA PUSH BUTTON OR FIRE ALARM WILL CAUSE EL LATCHES TO EXTEND.  
 IN THIS EXAMPLE ALL WIRING CONNECTIONS ARE MADE IN PS914 ENCLOSURE.  
 DATE DRAWN: 5-3-13  
 REVISION DATE: 5-3-13  
 copyright 2013

TITLE:  
 REMOTE 621AA PB WITH PAIR FIRE RATED EL PANICS

**ALLEGION™**

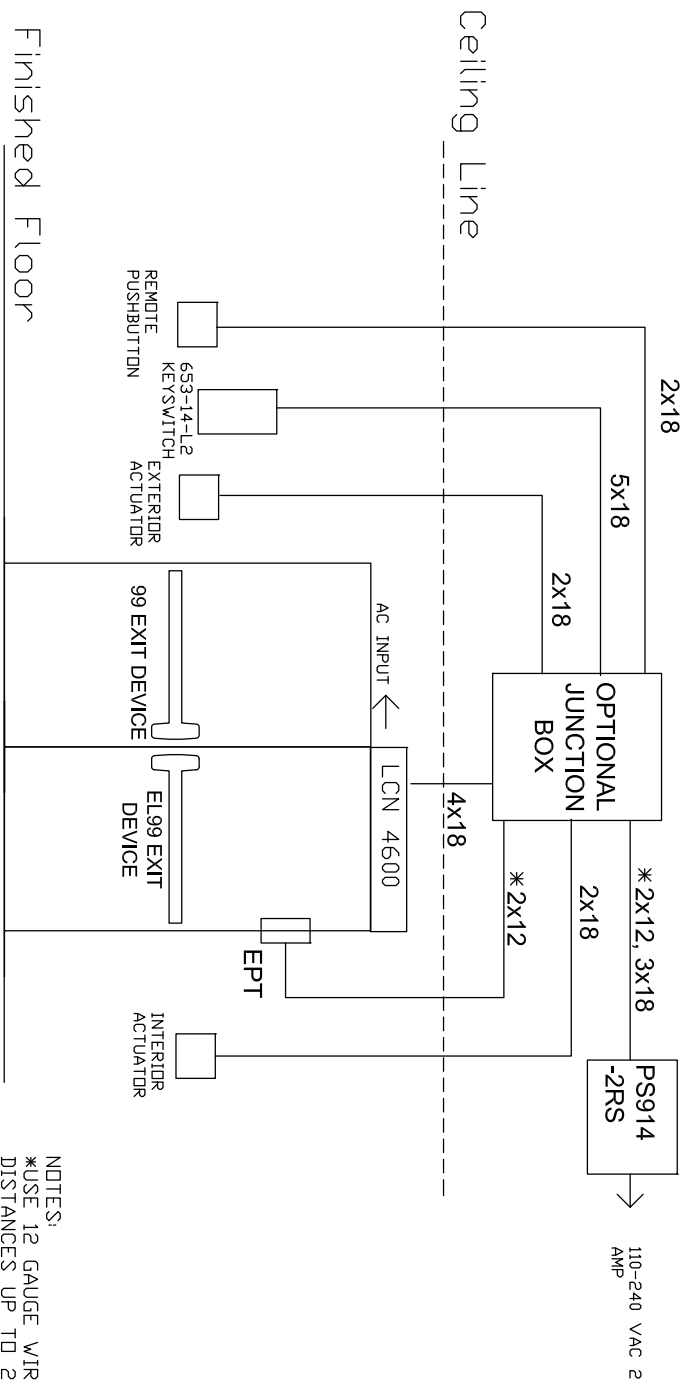
DRAWING TYPE: RISER DIAGRAM  
 DWG NO.: 109553  
 DRAWN/CHECKED BY: B DIVE  
 REV: A

THIS DIAGRAM REPRESENTS A GENERIC CONFIGURATION. CUSTOM WIRING DIAGRAMS CAN BE ACQUIRED BY CONTACTING TECHNICAL SUPPORT.



<p>NOTES:</p> <p>1) ALL LOW VOLTAGE WIRING TO BE STANDARD, MULTI-CONDUCTOR COLOR CODED WITHOUT SPLICES.</p> <p>2) WIRING TO CONFORM TO APPLICABLE NATIONAL, STATE AND LOCAL ELECTRICAL CODES.</p> <p>3) REFER TO SPECIFIC PRODUCT INSTALLATION INSTRUCTIONS FOR SPECIFIC WIRING REQUIREMENTS.</p> <p>4) THIS DRAWING IS FOR GRAPHICAL REPRESENTATION OF PRODUCTS DETAILED IN THE HARDWARE SET ONLY.</p> <p>5) ADDITIONAL WIRING WILL BE REQUIRED FROM ACP THAT IS NOT SHOWN HERE. CONSULT PROVIDER FOR DETAILS.</p>		<p>HARDWARE USED:</p> <p>2 VDN DUPRIN OR FALCON FIRE RATED EL PANIC DEVICES</p> <p>1 PS914-2RS-FA POWER SUPPLY</p> <p>2 EPT POWER TRANSFERS</p> <p>621 AA REMOTE CONTROL SWITCH</p> <p>1 FIRE ALARM CONTACT</p> <p>TYPE REMOTE 621AA PB WITH PAIR FIRE RATED EL DEVICES</p>		<p>OPERATION:</p> <p>REMOTE CONTROL 621AA PB TO SIGNAL PAIR FIRE RATED ELECTRIC PANIC BARS TO RETRACT FOR ENTRY.</p> <p>RELEASING 621AA PUSH BUTTON OR FIRE ALARM TO CAUSE EL LATCHES TO EXTEND.</p> <p>IN THIS EXAMPLE ALL WIRING CONNECTIONS ARE MADE IN PS914 ENCLOSURE.</p> <p>DATE DRAWN: 5-3-13 REVISION DATE: 5-3-13</p> <p>copyright 2013</p>		<p>ALLEGION™</p> <p>TITLE: REMOTE 621AA PB WITH PAIR FIRE RATED EL PANICS</p> <p>DRAWING TYPE: WIRING DIAGRAM</p> <p>DWG NO: 109553</p> <p>REVISED BY: B DOVE</p> <p>REV: A</p>	
---	--	---	--	---	--	---	--

THIS DIAGRAM REPRESENTS A GENERIC CONFIGURATION. CUSTOM WIRING DIAGRAMS CAN BE ACQUIRED BY CONTACTING TECHNICAL SUPPORT.



NOTES:  
 \*USE 12 GAUGE WIRE FOR DISTANCES UP TO 200' FRDM  
 EPT TO PS914  
 \*USE 14 GAUGE WIRE FOR DISTANCES UP TO 100' FRDM  
 EPT TO PS914

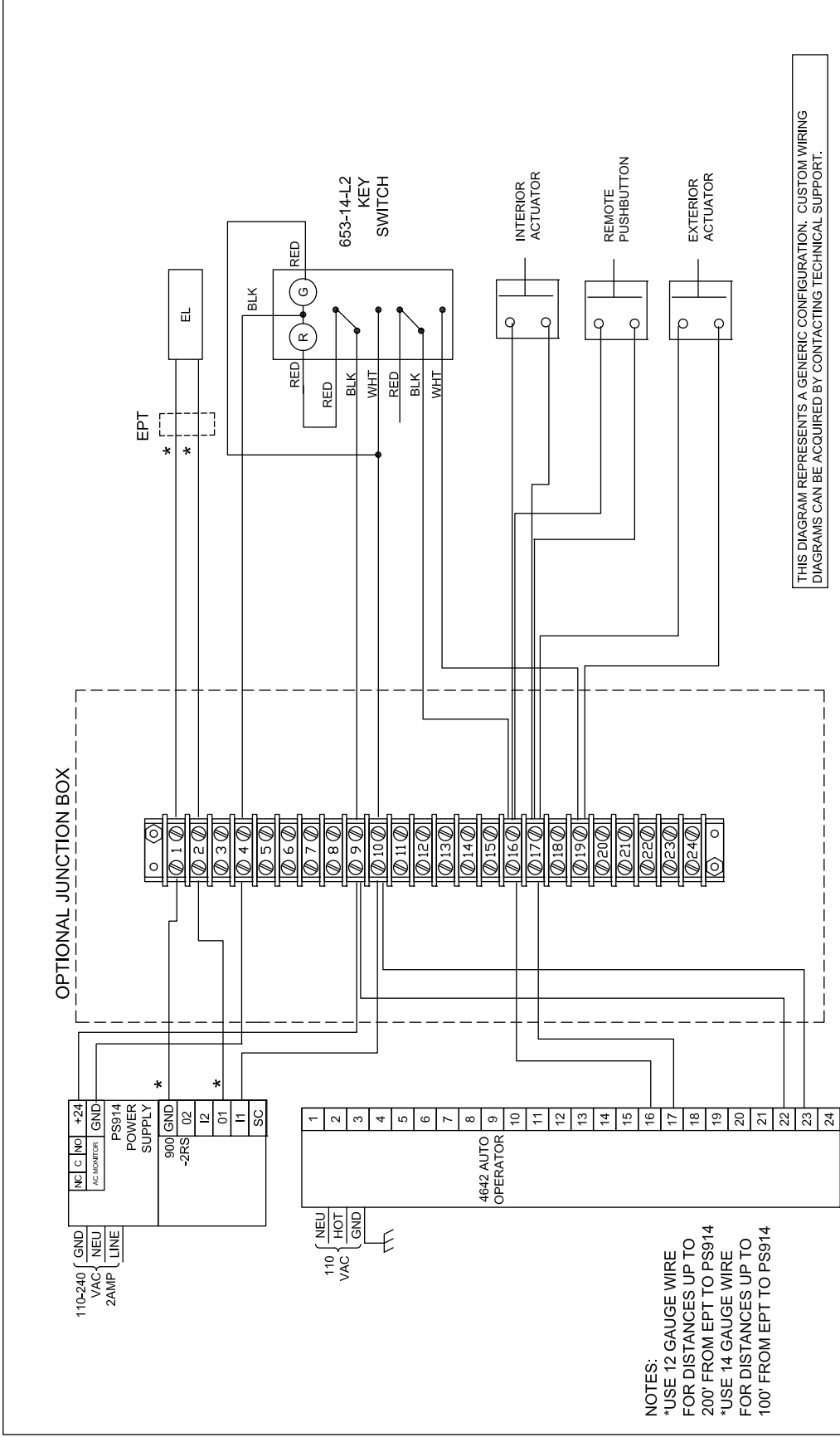
NOTES:  
 1) ALL LOW VOLTAGE WIRING TO BE STANDARD, MULTI-CONDUCTOR COLOR CODED WITHOUT SPLICES.  
 2) WIRING TO CONFORM TO APPLICABLE NATIONAL, STATE AND LOCAL ELECTRICAL CODES.  
 3) REFER TO SPECIFIC PRODUCT INSTALLATION INSTRUCTIONS FOR SPECIFIC WIRING REQUIREMENTS.  
 4) THIS DRAWING IS FOR GRAPHICAL REPRESENTATION OF PRODUCTS DETAILED IN THE HARDWARE SET ONLY.  
 5) ADDITIONAL WIRING WILL BE REQUIRED FROM APP THAT IS NOT SHOWN HERE. CONSULT PROVIDER FOR DETAILS.

HARDWARE USED	
1 -	PS914-2RS
1 -	653-14-L2 KEYSWITCH
1 -	LCN 4600 AUTO OPERATOR
2 -	ACTUATORS
1 -	PUSHBUTTON
1 -	EL PANIC DEVICE
1 -	EPT
1 -	OPTIONAL JUNCTION BOX

OPERATION:	
DOOR NORMALLY CLOSED & LOCKED.	
KEYSWITCH RETRACTS LATCH & ENABLES EXTERIOR ACTUATOR.	
INTERIOR & REMOTE PUSHBUTTONS ARE ALWAYS ACTIVE TO RETRACT THE ELECTRIC LATCH & SWING THE DOOR.	
FREE EGRESS AT ALL TIMES.	

DATE DRAWN		REVISION DATE	
03-26-13		04-15-14	
DRAWN BY: B DOVE		APPROVED BY: MH	
DRAWING TYPE		DRAWING NO.	
RISER		104970	
TITLE		REV	
PS914-2RS EL 4640 2XPB		D	
653-14-L2 X REMOTE PB			

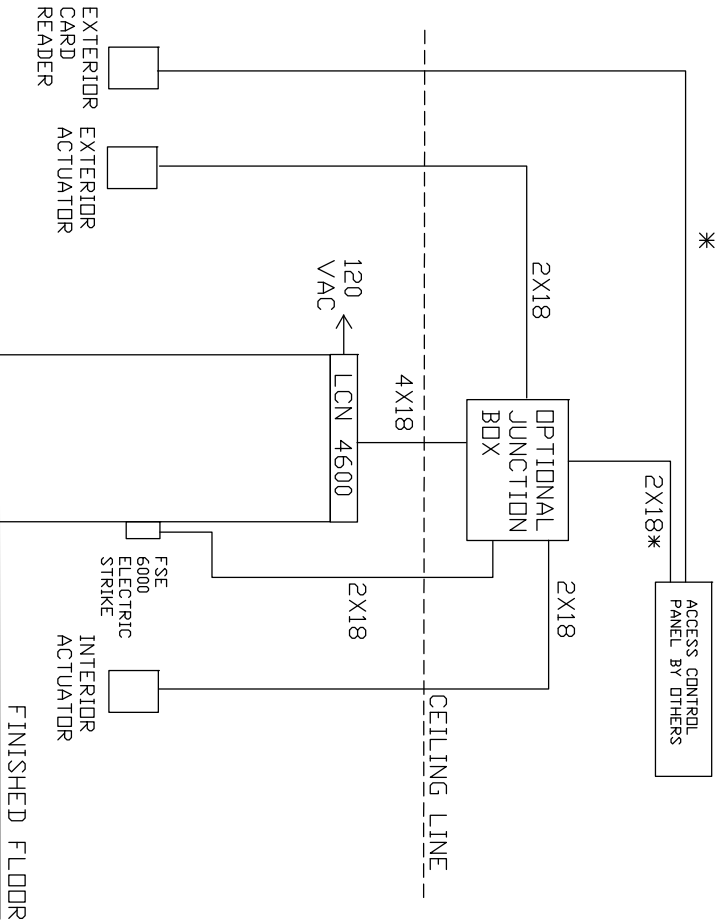




THIS DIAGRAM REPRESENTS A GENERIC CONFIGURATION. CUSTOM WIRING DIAGRAMS CAN BE ACQUIRED BY CONTACTING TECHNICAL SUPPORT.

<p><b>ALLEGION™</b></p> <p>PS914-2RS EL 4640 2XPB 653-14-L2 X REMOTE PB</p> <p>DWG NO: 104970 DRAWN/CHECKED BY: B DOVE</p>	<p>OPERATION: DOOR NORMALLY CLOSED &amp; LOCKED. KEY SWITCH RETRACTS LATCH &amp; ENABLES EXTERIOR ACTUATOR. INTERIOR &amp; REMOTE PUSHBUTTONS ARE ALWAYS ACTIVE TO RETRACT THE ELECTRIC LATCH &amp; SWING THE DOOR. FREE EGRESS AT ALL TIMES.</p>	<p>DATE DRAWN: 03-26-13</p>	<p>REVISION DATES: 04-15-14</p>
		<p>DRAWN BY: B DOVE</p>	<p>APPROVED BY: MH</p>
<p>HARDWARE USED: 1 - PS914-2RS 1 - 653-14-L2 KEYSWITCH 1 - LCN 4600 AUTO OPERATOR 2 - ACTUATORS 1 - PUSHBUTTON 1 - EL PANIC DEVICE 1 - EPT 1 - OPTIONAL JUNCTION BOX</p>	<p>TYPE: <b>DOUBLE DOORS</b></p>	<p>THIS DIAGRAM REPRESENTS A GENERIC CONFIGURATION. CUSTOM WIRING DIAGRAMS CAN BE ACQUIRED BY CONTACTING TECHNICAL SUPPORT.</p>	
<p>NOTES: 1) ALL LOW VOLTAGE WIRING TO BE STANDARD. MULTICONDUCTOR COLOR CODED WITHOUT SPLICES. 2) WIRING TO CONFORM TO APPLICABLE NATIONAL, STATE AND LOCAL ELECTRICAL CODES. 3) REFER TO SPECIFIC PRODUCT INSTALLATION INSTRUCTIONS FOR SPECIFIC WIRING REQUIREMENTS. 4) THIS DRAWING IS FOR GRAPHICAL REPRESENTATION OF PRODUCTS DETAILED IN THE HARDWARE SET ONLY. 5) ADDITIONAL WIRING WILL BE REQUIRED FROM ACP THAT IS NOT SHOWN HERE. CONSULT PROVIDER FOR DETAILS.</p>	<p>DATE DRAWN: 03-26-13</p> <p>REVISION DATES: 04-15-14</p> <p>DRAWN BY: B DOVE</p> <p>APPROVED BY: MH</p>		

THIS DIAGRAM REPRESENTS A GENERIC CONFIGURATION. CUSTOM WIRING DIAGRAMS CAN BE ACQUIRED BY CONTACTING TECHNICAL SUPPORT.



NOTES:  
 \* CONSULT ACCESS CONTROL PANEL AND CARD READER PROVIDER TO DETERMINE CONDUCTOR COUNT AND WIRE SIZE.

NOTES:  
 1) ALL LOW VOLTAGE WIRING TO BE STANDARD MULTI-CONDUCTOR COLOR CODED WITHOUT SPLICES.  
 2) WIRING TO CONFORM TO APPLICABLE NATIONAL, STATE AND LOCAL ELECTRICAL CODES.  
 3) REFER TO SPECIFIC PRODUCT INSTALLATION INSTRUCTIONS FOR SPECIFIC WIRING REQUIREMENTS.  
 4) THIS DRAWING IS FOR GRAPHICAL REPRESENTATION OF PRODUCTS DETAILED IN THE HARDWARE SET ONLY.  
 5) ADDITIONAL WIRING WILL BE REQUIRED FROM ACP THAT IS NOT SHOWN HERE. CONSULT PROVIDER FOR DETAILS.

HARDWARE USED:  
 1 LCN 4600 AUTO OPERATOR  
 2 ACTUATORS  
 1 EXTERIOR CARD READER/ACP BY OTHERS  
 1 VD FSE 6000 ELECTRIC STRIKE  
 1 OPTIONAL JUNCTION BOX

TYPE  
 SINGLE DOOR

OPERATION:  
 DOOR NORMALLY CLOSED & LOCKED. VALID ACCESS CONTROL READ ENABLES EXTERIOR ACTUATOR. PRESSING EITHER ACTUATOR UNLOCKS DOOR. ELECTRIC STRIKE AND OPENS DOOR. FREE EGRESS AT ALL TIMES.

DATE DRAWN: 03-27-13  
 DRAWN BY: B DOVE  
 REVISION DATE: 04-16-14  
 APPROVED BY: MH

**ALLEGION™**

TITLE:  
 SINGLE LCN 4600 AD 6000 FSE ELECTRIC STRIKE X 2 ACTUATORS CARD READER/ACP

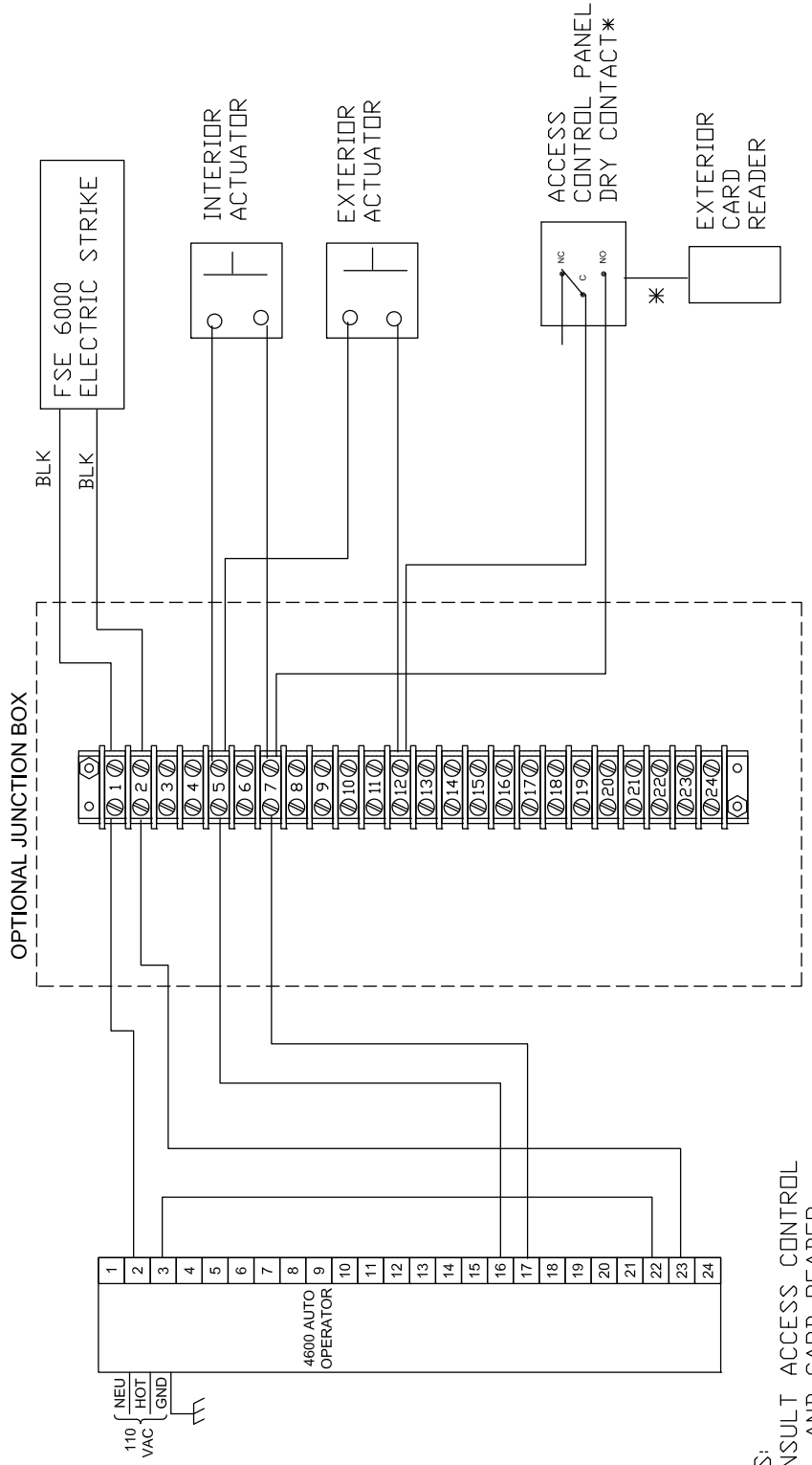
DRAWING TYPE: RISER

DWG NO: 104972

DRAWN/CHECKED BY: B DOVE

REV: D

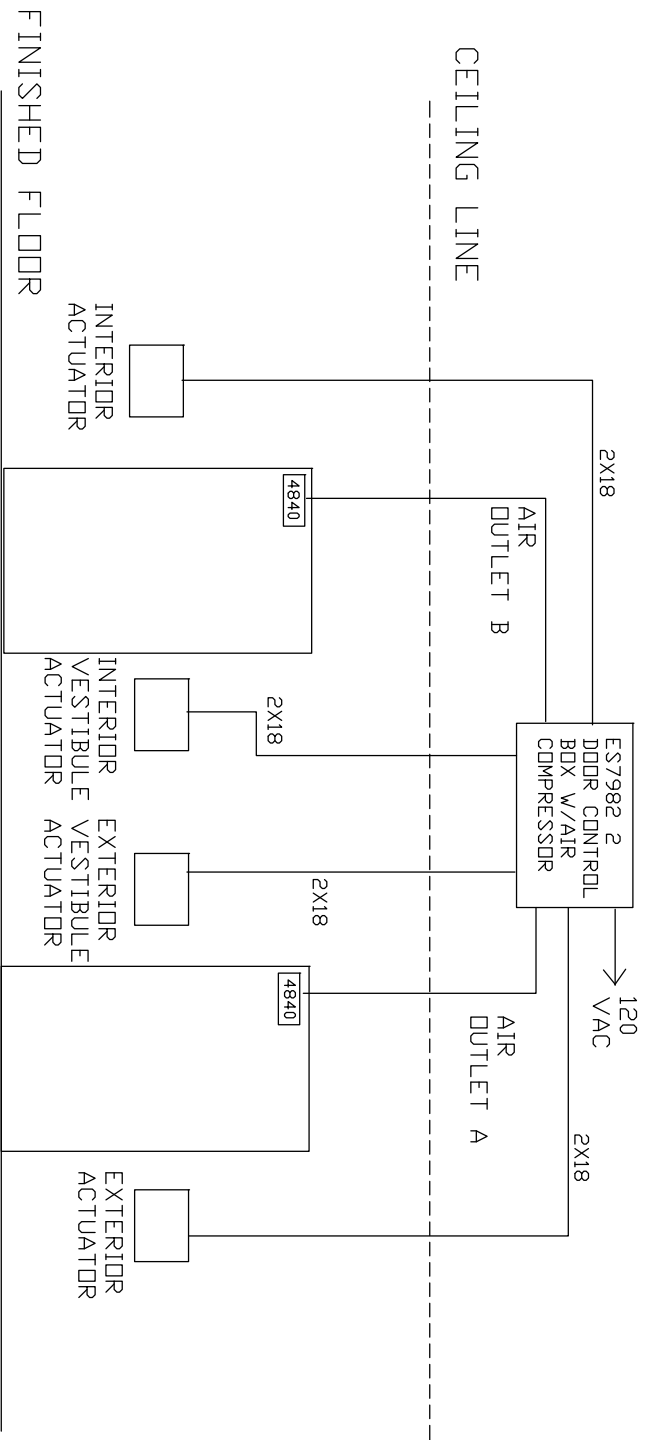
THIS DIAGRAM REPRESENTS A GENERIC CONFIGURATION. CUSTOM WIRING DIAGRAMS CAN BE ACQUIRED BY CONTACTING TECHNICAL SUPPORT.



NOTES:  
 \* CONSULT ACCESS CONTROL PANEL AND CARD READER PROVIDER TO DETERMINE CONDUCTOR COUNT AND WIRE SIZE.

<p><b>ALLEGION™</b></p>	<p>OPERATION:          DOOR NORMALLY CLOSED &amp; LOCKED.          VALID ACCESS CONTROL READ ENABLES EXTERIOR ACTUATOR.          PRESSING EITHER ACTUATOR UNLOCKS ELECTRIC STRIKE AND OPENS DOOR.          FREE EGRESS AT ALL TIMES.</p>	<p>HARDWARE USED:          1 LCN 4600 AUTO OPERATOR          2 ACTUATORS          1 EXTERIOR CARD READER/ACP BY OTHERS          1 VD FSE 6000 ELECTRIC STRIKE          1 OPTIONAL JUNCTION BOX</p>	<p>DATE DRAWN: 03-27-13          REVISION DATE: 04-16-14          DRAWN BY: B DOVE          APPROVED BY: MH</p>
<p>TITLE: SINGLE LCN 4600 AD 6000 FSE ELECTRIC STRIKE X 2 ACTUATORS X CARD READER/ACP</p>	<p>DATE DRAWN: 03-27-13          REVISION DATE: 04-16-14          DRAWN BY: B DOVE          APPROVED BY: MH</p>	<p>TYPE: SINGLE DOOR</p>	<p>NOTES:          1) ALL LOW VOLTAGE WIRING TO BE STANDARD, MULTI-CONDUCTOR COLOR CODED WITHOUT SPLICES.          2) WIRING TO CONFORM TO APPLICABLE NATIONAL, STATE AND LOCAL ELECTRICAL CODES.          3) REFER TO SPECIFIC PRODUCT INSTALLATION INSTRUCTIONS FOR SPECIFIC WIRING REQUIREMENTS.          4) THIS DRAWING IS FOR GRAPHICAL REPRESENTATION OF PRODUCTS DETAILED IN THE HARDWARE SET ONLY.          5) ADDITIONAL WIRING WILL BE REQUIRED FROM ACP THAT IS NOT SHOWN HERE. CONSULT PROVIDER FOR DETAILS.</p>
<p>REV: D</p>	<p>DRAWING TYPE: WIRING</p>	<p>DRAWING NO: 104972</p>	<p>DRAWN/CHECKED BY: B DOVE</p>

THIS DIAGRAM REPRESENTS A GENERIC CONFIGURATION. CUSTOM WIRING DIAGRAMS CAN BE ACQUIRED BY CONTACTING TECHNICAL SUPPORT.



NOTES:  
 1) ALL LOW VOLTAGE WIRING TO BE STANDARD MULTI-CONDUCTOR COLOR CODED WITHOUT SPLICES.  
 2) WIRING TO CONFORM TO APPLICABLE NATIONAL, STATE AND LOCAL ELECTRICAL CODES.  
 3) REFER TO SPECIFIC PRODUCT INSTALLATION INSTRUCTIONS FOR SPECIFIC WIRING REQUIREMENTS.  
 4) THIS DRAWING IS FOR GRAPHICAL REPRESENTATION OF PRODUCTS DETAILED IN THE HARDWARE SET ONLY.  
 5) ADDITIONAL WIRING WILL BE REQUIRED FROM ACP THAT IS NOT SHOWN HERE. CONSULT PROVIDER FOR DETAILS.

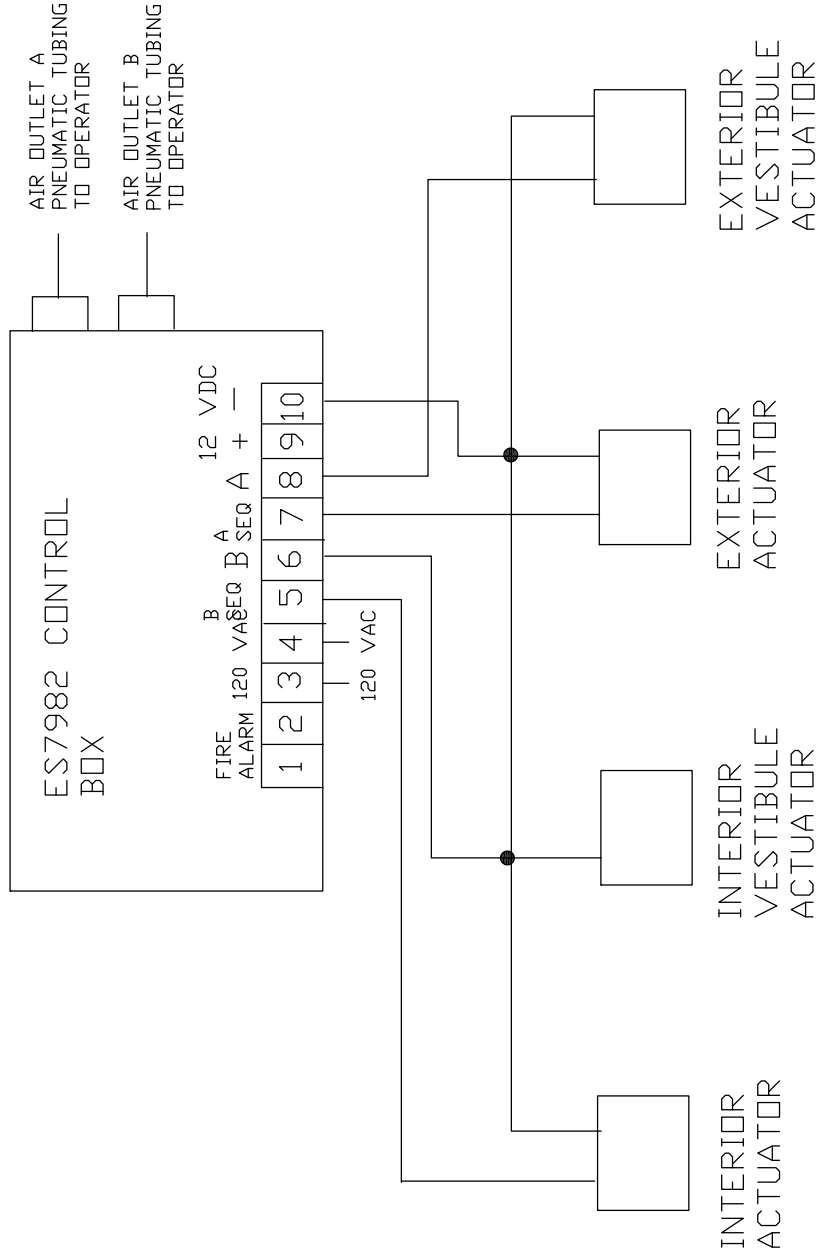
HARDWARE USED:	
1	ES7982 CONTRL. BOX
4	4840 ACTUATORS
2	4840 AUTO OPERATORS
TYPE	
2	SINGLE DOORS

OPERATION:	
DOORS NORMALLY CLOSED.	PUSHING INTERIOR VESTIBULE ACTUATOR OPENS INTERIOR DOOR.
PUSHING INTERIOR VESTIBULE ACTUATOR OPENS EXTERIOR DOOR.	PUSHING EXTERIOR VESTIBULE ACTUATOR OPENS INTERIOR DOOR & THEN EXTERIOR DOOR IN SEQUENCE.
PUSHING INTERIOR ACTUATOR OPENS INTERIOR DOOR & THEN EXTERIOR DOOR IN SEQUENCE.	PUSHING EXTERIOR ACTUATOR OPENS EXTERIOR DOOR & THEN FREE EGRESS AT ALL TIMES.
DATE DRAWN:	03-26-13
REVISION DATE:	04-16-14
DRAWN BY:	B DOVE
APPROVED BY:	MH

		TITLE 2 SINGLE DOORS ES7982
		DRAWING TYPE X 2 4840 ACTUATORS
DRAWING NO. 104968	DRAWN/CHECKED BY: B DOVE	REV. D

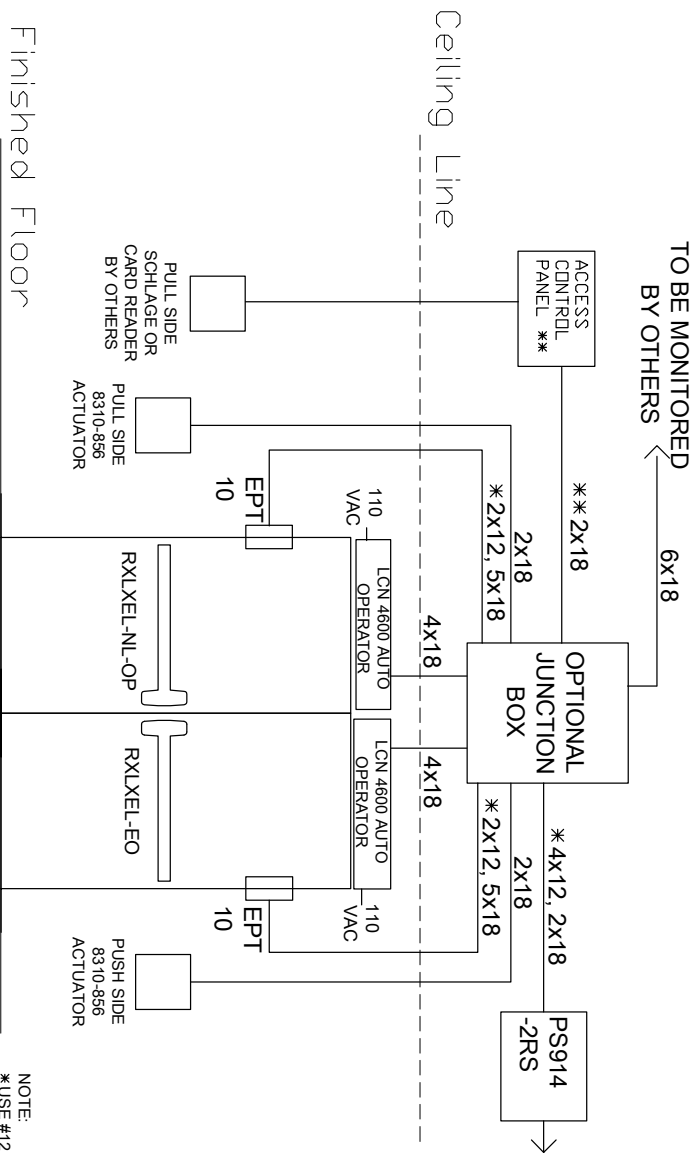


THIS DIAGRAM REPRESENTS A GENERIC CONFIGURATION. CUSTOM WIRING DIAGRAMS CAN BE ACQUIRED BY CONTACTING TECHNICAL SUPPORT.



<p><b>NOTES:</b></p> <p>1) ALL LOW VOLTAGE WIRING TO BE STANDARD. MULTI-CONDUCTOR CORD CODED WITHOUT SPLICES.</p> <p>2) WIRING TO CONFORM TO APPLICABLE NATIONAL, STATE AND LOCAL ELECTRICAL CODES.</p> <p>3) REFER TO SPECIFIC PRODUCT INSTALLATION INSTRUCTIONS FOR SPECIFIC WIRING REQUIREMENTS.</p> <p>4) THIS DRAWING IS FOR GRAPHICAL REPRESENTATION OF PRODUCTS DETAILED IN THE HARDWARE SET ONLY.</p> <p>5) ADDITIONAL WIRING WILL BE REQUIRED FROM ACP THAT IS NOT SHOWN HERE. CONSULT PROVIDER FOR DETAILS.</p>	<p><b>HARDWARE USED:</b></p> <p>1 - ES7982 CONTROL BOX</p> <p>4 - 4840 ACTUATORS</p> <p>2 4840 AUTO OPERATORS</p>	<p><b>OPERATION:</b></p> <p>DOORS NORMALLY CLOSED.</p> <p>PUSHING INTERIOR VESTIBULE ACTUATOR OPENS INTERIOR DOOR.</p> <p>PUSHING EXTERIOR VESTIBULE ACTUATOR OPENS EXTERIOR DOOR.</p> <p>PUSHING INTERIOR ACTUATOR OPENS INTERIOR DOOR &amp; THEN EXTERIOR DOOR IN SEQUENCE.</p> <p>PUSHING EXTERIOR ACTUATOR OPENS EXTERIOR DOOR &amp; THEN FREE EGRESS AT ALL TIMES.</p>		<p>DATE DRAWN: 03-26-13</p> <p>REVISION DATE: 04-16-14</p> <p>APPROVED BY: MH</p>
		<p>TYPE: 2 SINGLE DOORS</p>	<p>DATE DRAWN: 03-26-13</p> <p>REVISION DATE: 04-16-14</p> <p>APPROVED BY: MH</p>	<p>DATE DRAWN: 03-26-13</p> <p>REVISION DATE: 04-16-14</p> <p>APPROVED BY: MH</p>
<p><b>ALLEGION™</b></p>		<p>THESE SINGLE DOORS ES7982 X 2 4840 ACTUATORS</p>		<p>DWG NO: 104968</p> <p>REV: D</p>
<p>WIRING</p>		<p>DRAWN BY: B DOVE</p>		<p>DRAWN BY: B DOVE</p>

THIS DIAGRAM REPRESENTS A GENERIC CONFIGURATION. CUSTOM WIRING DIAGRAMS CAN BE ACQUIRED BY CONTACTING TECHNICAL SUPPORT.



NOTE:  
 \* USE #12 GAUGE WIRE FOR DISTANCES UP TO 200' FROM EPT TO PS914  
 \* USE #14 GAUGE WIRE FOR DISTANCES UP TO 100' FROM EPT TO PS914  
 \*\* ADDITIONAL WIRING IS REQUIRED. SEE MANUFACTURER INSTALLATION INSTRUCTION  
 OPTIONAL JUNCTION BOX IS AVAILABLE FROM VON DUPRIN AS A JB7

- NOTES:
- 1) ALL LOW VOLTAGE WIRING TO BE STANDARD, MULTI-CONDUCTOR COLOR CODED WITHOUT SPLICES.
  - 2) WIRING TO CONFORM TO APPLICABLE NATIONAL, STATE AND LOCAL ELECTRICAL CODES.
  - 3) REFER TO SPECIFIC PRODUCT INSTALLATION INSTRUCTIONS FOR SPECIFIC WIRING REQUIREMENTS.
  - 4) THIS DRAWING IS FOR GRAPHICAL REPRESENTATION OF PRODUCTS DETAILED IN THE HARDWARE SET ONLY.
  - 5) \*\* CONDUCTOR COUNT TO BE DETERMINED BY ACCESS CONTROL PANEL PROVIDER.

- HARDWARE USED:
- 1 RXLXEL-EO PANIC
  - 1 RXLXEL-NL-OP PANIC
  - 2 EPT 10
  - 2 8310-856 LCN ACTUATORS
  - 2 4600 AUTO OPERATOR
  - 1 SCHLAGE DR CARD READER BD WITH ACP BD

OPERATION:  
 PUSH SIDE 8310-856 ACTUATOR TO RETRACT THE ELECTRIC PANIC BARS AND OPEN THE LCN 4600 AUTO OPERATORS.  
 SCHLAGE OR CARD READER BY OTHERS TO SIGNAL EL LATCH RETRACTION AND ENABLE EXTERIOR 8310-856 ACTUATOR  
 PULL SIDE 8310-856 ACTUATOR TO RETRACT THE ELECTRIC PANIC BARS WHEN ENABLED BY CARD READER AND ACCESS CONTROL PANEL.  
 REQUEST EXIT SWITCH BX TO BE MONITORED BY OTHERS.

TYPE
------

DATE DRAWN	REVISION DATE
3-26-13	07-03-17

TITLE: RXLXEL PAIR WITH LCN 4600 AD AND PS914-2RS



DRAWING TYPE: RISER DIAGRAM

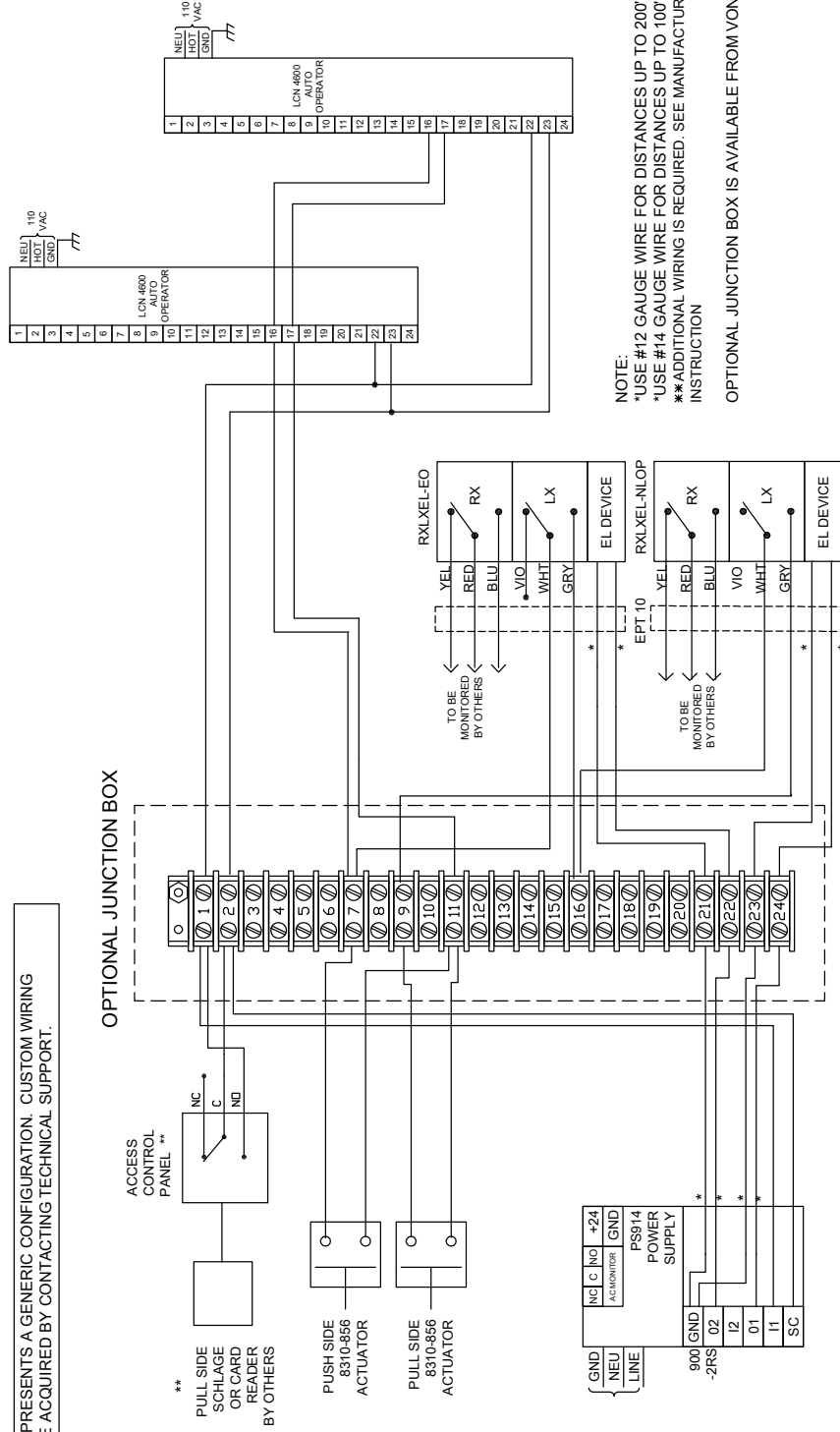
DWG NO: 109463

DRAWN BY: B DOWE/D BULLENGIER

REV: C


THIS DIAGRAM REPRESENTS A GENERIC CONFIGURATION. CUSTOM WIRING DIAGRAMS CAN BE ACQUIRED BY CONTACTING TECHNICAL SUPPORT.

OPTIONAL JUNCTION BOX



NOTE:  
 \*USE #12 GAUGE WIRE FOR DISTANCES UP TO 200' FROM EPT TO PS914  
 \*USE #14 GAUGE WIRE FOR DISTANCES UP TO 100' FROM EPT TO PS914  
 \*\*ADDITIONAL WIRING IS REQUIRED. SEE MANUFACTURER INSTALLATION INSTRUCTION

OPTIONAL JUNCTION BOX IS AVAILABLE FROM VON DUPRIN AS A JB7



**ALLEGION™**

TITLE: **RXEL PAIR WITH LCN 4600 AO AND PS914-2RS**

DWG NO: **109463**  
 DRAWN/CHECKED BY: **B DOVEID BOLLENGER**

REV: **C**

---

OPERATION:  
 PUSH SIDE 8310-856 ACTUATOR TO RETRACT THE ELECTRIC PANIC BARS AND OPEN THE LCN 4600 AUTO OPERATOR.  
 SCHLAGE OR CARD READER BY OTHERS TO SIGNAL EL LATCH RETRACTION AND ENABLE EXTERIOR 8310-856 ACTUATOR  
 PULL SIDE 8310-856 ACTUATOR TO RETRACT THE ELECTRIC PANIC BARS WHEN ENABLED BY CARD READER AND ACCESS CONTROL PANEL  
 REQUEST EXIT SWITCH RX TO BE MONITORED BY OTHERS.

DATE DRAWN: **3-26-13** REVISION DATE: **07-03-17**

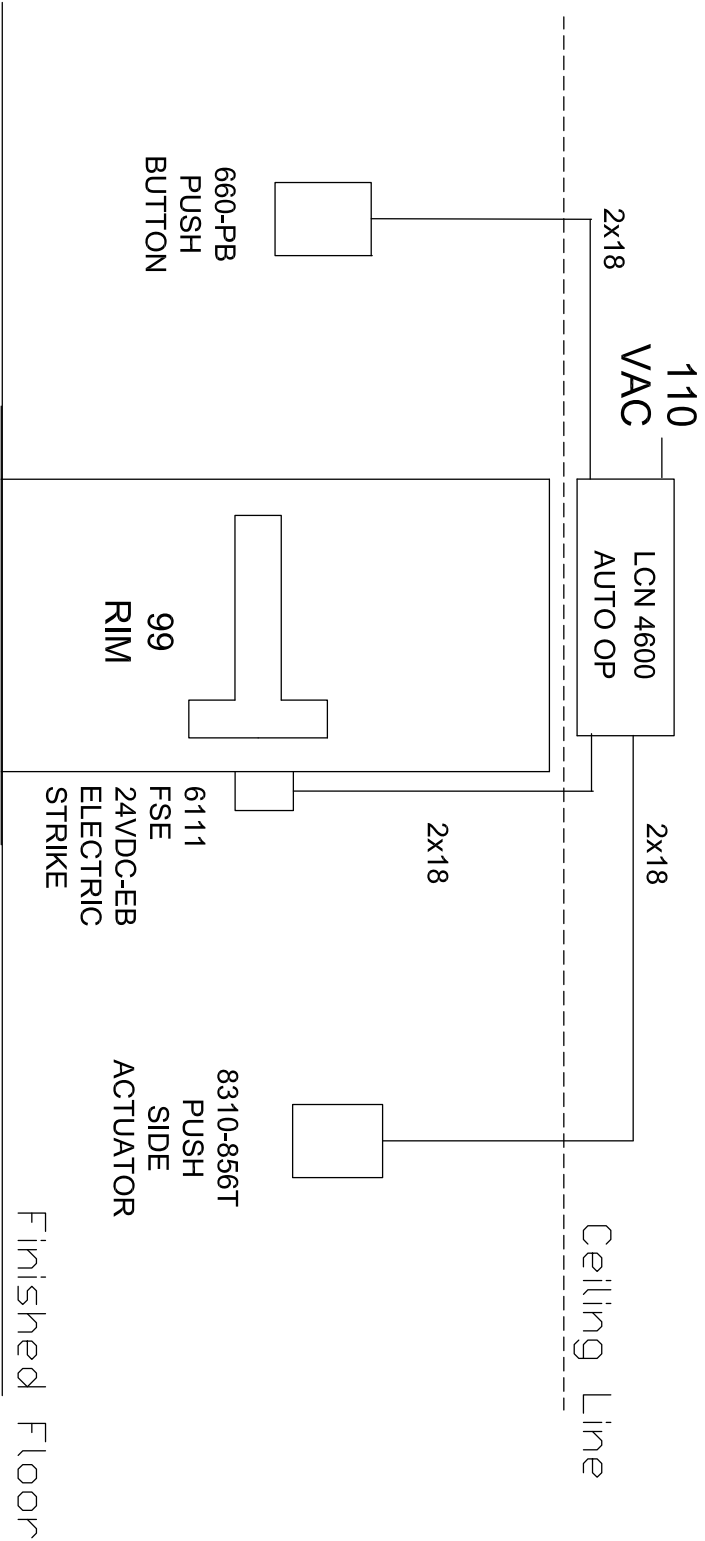
---

HARDWARE USED:  
 1 RXLXEL EO PANIC  
 1 RXLXEL-NL-OP PANIC  
 2 EPT 10  
 2 8310-856 LCN ACTUATORS  
 1 4600 AUTO OPERATOR  
 1 SCHLAGE OR CARD READER BO WITH ACP BO

NOTES:  
 1) ALL LOW VOLTAGE WIRING TO BE STANDARD. MULTI-CONDUCTOR COLOR CODED WITHOUT SPLICES.  
 2) WIRING TO CONFORM TO APPLICABLE NATIONAL, STATE AND LOCAL ELECTRICAL CODES.  
 3) REFER TO SPECIFIC PRODUCT INSTALLATION INSTRUCTIONS FOR SPECIFIC WIRING REQUIREMENTS.  
 4) THIS DRAWING IS FOR GRAPHICAL REPRESENTATION OF PRODUCTS DETAILED IN THE HARDWARE SET ONLY.  
 5) \*\* CONDUCTOR COUNT TO BE DETERMINED BY ACCESS CONTROL PANEL PROVIDER.

TYPE

THIS DIAGRAM REPRESENTS A GENERIC CONFIGURATION. CUSTOM WIRING DIAGRAMS CAN BE ACQUIRED BY CONTACTING TECHNICAL SUPPORT.



NOTES:  
 1) ALL LOW VOLTAGE WIRING TO BE STANDARD MULTI-CONDUCTOR CORDR CODED WITHOUT SPLICES.  
 2) WIRING TO CONFORM TO APPLICABLE NATIONAL, STATE AND LOCAL ELECTRICAL CODES.  
 3) REFER TO SPECIFIC PRODUCT INSTALLATION INSTRUCTIONS FOR SPECIFIC WIRING REQUIREMENTS OF PRODUCTS DETAILED IN THE HARDWARE SET ONLY.  
 4) THIS DRAWING IS FOR GRAPHICAL REPRESENTATION OF PRODUCTS DETAILED IN THE HARDWARE SET ONLY.  
 5) ADDITIONAL WIRING WILL BE REQUIRED FROM ACP THAT IS NOT SHOWN HERE. CONSULT PROVIDER FOR DETAILS.

HARDWARE USED	
1	4600 LCN AUTO OPERATOR
1	99 EXIT DEVICE
1	6111 FSE X EB ESTRIKE
1	660PB BUTTON
1	8310-856T ACTUATOR

TYPE	DESCRIPTION
AUTO OPERATOR AND ACTUATORS	

OPERATION:  
 8310-856 ACTUATOR FROM PUSH SIDE TO UNLOCK THE ELECTRIC STRIKE AND OPEN THE DOOR.  
 660PB REMOTE PUSH BUTTON TO UNLOCK THE 6111 FSE ELECTRIC STRIKE AND OPEN THE DOOR.

DATE DRAWN	REVISION DATE
3-27-13	3-27-13

copyright 2013

**ALLEGION™**

TITLE: LCN 4600 WITH 8310-856 ACT AND 660PB

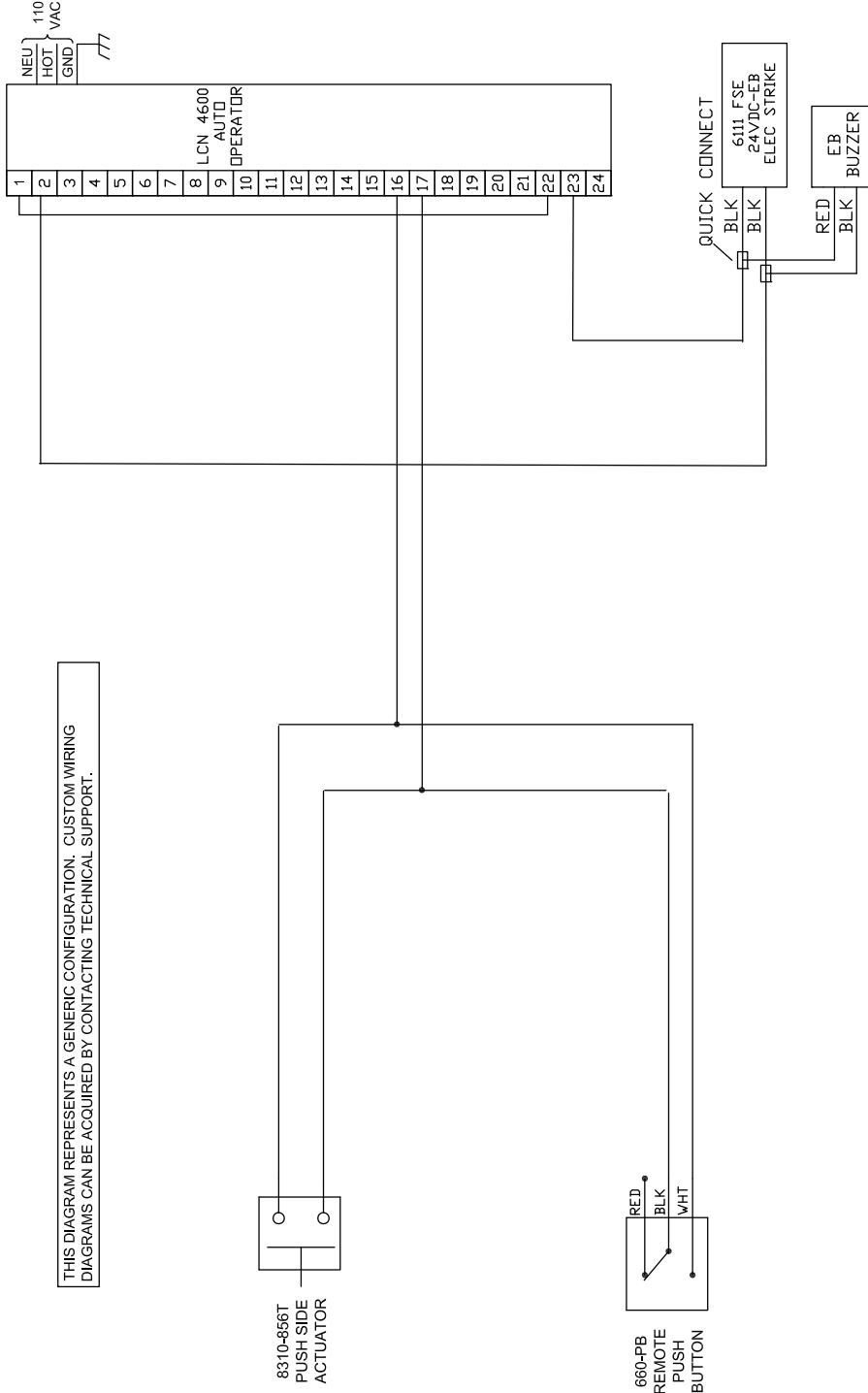
DRAWING TYPE: RISER DIAGRAM

DWG NO: 109464

DRAWN/CHECKED BY: B DOVE/D BOLLENGIER

REV: A

THIS DIAGRAM REPRESENTS A GENERIC CONFIGURATION. CUSTOM WIRING DIAGRAMS CAN BE ACQUIRED BY CONTACTING TECHNICAL SUPPORT.



NOTES:  
 1) ALL LOW VOLTAGE WIRING TO BE STANDARD, MULTI-CONDUCTOR COLOR CODED WITHOUT SPLICES.  
 2) WIRING TO CONFORM TO APPLICABLE NATIONAL, STATE AND LOCAL ELECTRICAL CODES.  
 3) REFER TO SPECIFIC PRODUCT INSTALLATION INSTRUCTIONS FOR SPECIFIC WIRING REQUIREMENTS.  
 4) THIS DRAWING IS FOR GRAPHICAL REPRESENTATION OF PRODUCTS DETAILED IN THE HARDWARE SET ONLY.  
 5) ADDITIONAL WIRING WILL BE REQUIRED FROM ACP THAT IS NOT SHOWN HERE. CONSULT PROVIDER FOR DETAILS.

HARDWARE USED:  
 1 4600 LCN AUTO OPERATOR  
 1 99 EXIT DEVICE  
 1 6111 FSE X EB ESTRIKE  
 1 660PB BUTTON  
 1 8310-856T ACTUATOR  
 TYPE AUTO OPERATOR AND ACTUATORS

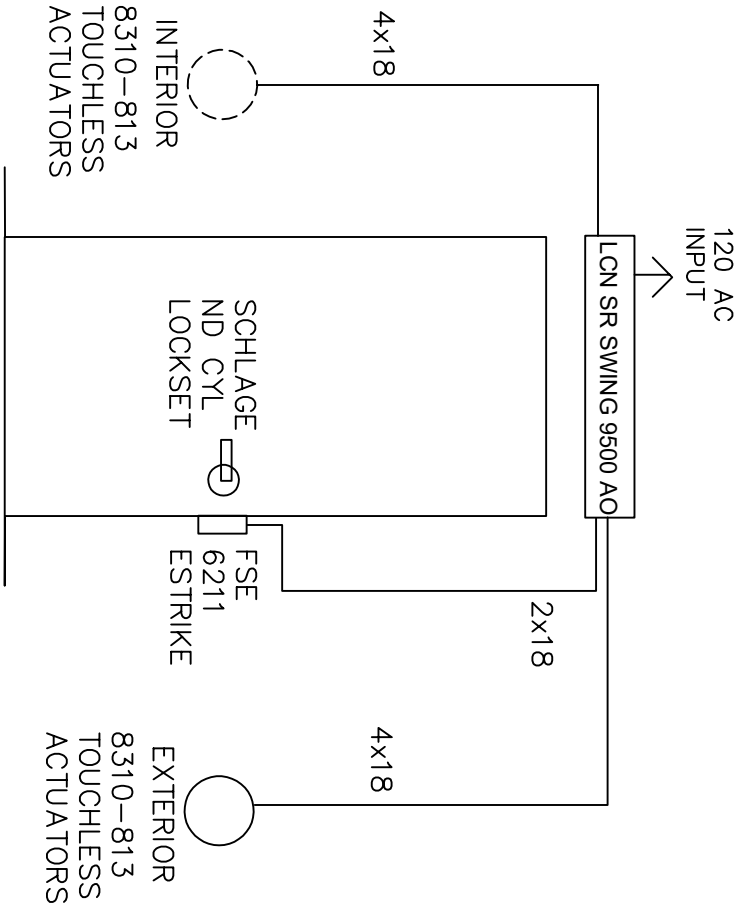
OPERATION:  
 8310-856 ACTUATOR FROM PUSH SIDE TO UNLOCK THE ELECTRIC STRIKE AND OPEN THE DOOR.  
 660PB REMOTE PUSH BUTTON TO UNLOCK THE 6111 FSE ELECTRIC STRIKE AND OPEN THE DOOR.  
 DATE DRAWN 3-27-13 REVISION DATE: 3-27-13  
 copyright 2013

**ALLEGION™**

TITLE: LCN 4600 WITH 8310-856 ACT AND 660PB

DRAWING TYPE: WIRING DIAGRAM  
 DWG NO: 109464  
 DRAWN/CHECKED BY: B DOVE/ D BOLLENGIER  
 REV: A

THIS DIAGRAM REPRESENTS A GENERIC CONFIGURATION. CUSTOM WIRING DIAGRAMS CAN BE ACQUIRED BY CONTACTING TECHNICAL SUPPORT.



NOTES:  
 1) ALL LOW VOLTAGE WIRING TO BE STANDARD MULTICONDUCTOR COLOR CODED WITHOUT SPLICES.  
 2) WIRING TO CONFORM TO APPLICABLE NATIONAL, STATE AND LOCAL ELECTRICAL CODES.  
 3) REFER TO SPECIFIC PRODUCT INSTALLATION INSTRUCTIONS FOR SPECIFIC WIRING REQUIREMENTS.  
 4) THIS DRAWING IS FOR GRAPHICAL REPRESENTATION OF PRODUCTS DETAILED IN THE HARDWARE SET ONLY.  
 5) \* CONDUCTOR COUNT TO BE DETERMINED BY ACCESS CONTROL PANEL PROVIDER.

HARDWARE USED:  
 1 LCN 9500 SR SWING AO  
 2 LCN 8310-813 TOUCHLESS ACTUATOR  
 1 VD FSE 6211 ESTRIKE

TYPE:  
 INTERIOR DOOR WITH VD ESTRIKE, LCN SR SWING AO AND TOUCHLESS ACTUATORS INTERIOR AND EXTERIOR

OPERATION:  
 EXTERIOR WAVING HAND IN FRONT OF 8310-813 TOUCHLESS ACTUATOR TO SIGNAL LCN SR SWING AO TO OPEN DOOR AND RELEASE 6211 ESTRIKE. MAY BE OPENED MANUALLY VIA ND CYL LOCK.  
 INTERIOR WAVING HAND IN FRONT OF 8310-813 TOUCHLESS ACTUATOR TO SIGNAL LCN SR SWING AO TO RELEASE 6211 ESTRIKE AND OPEN DOOR. MAY BE OPENED VIA ND CYL LOCK.

IN THIS EXAMPLE ALL WIRING CONNECTIONS ARE MADE IN THE LCN SR SWING ENCLOSURE

DATE DRAWN: 04-03-20      REVISION DATE: 04-03-20

**ALLEGION™**

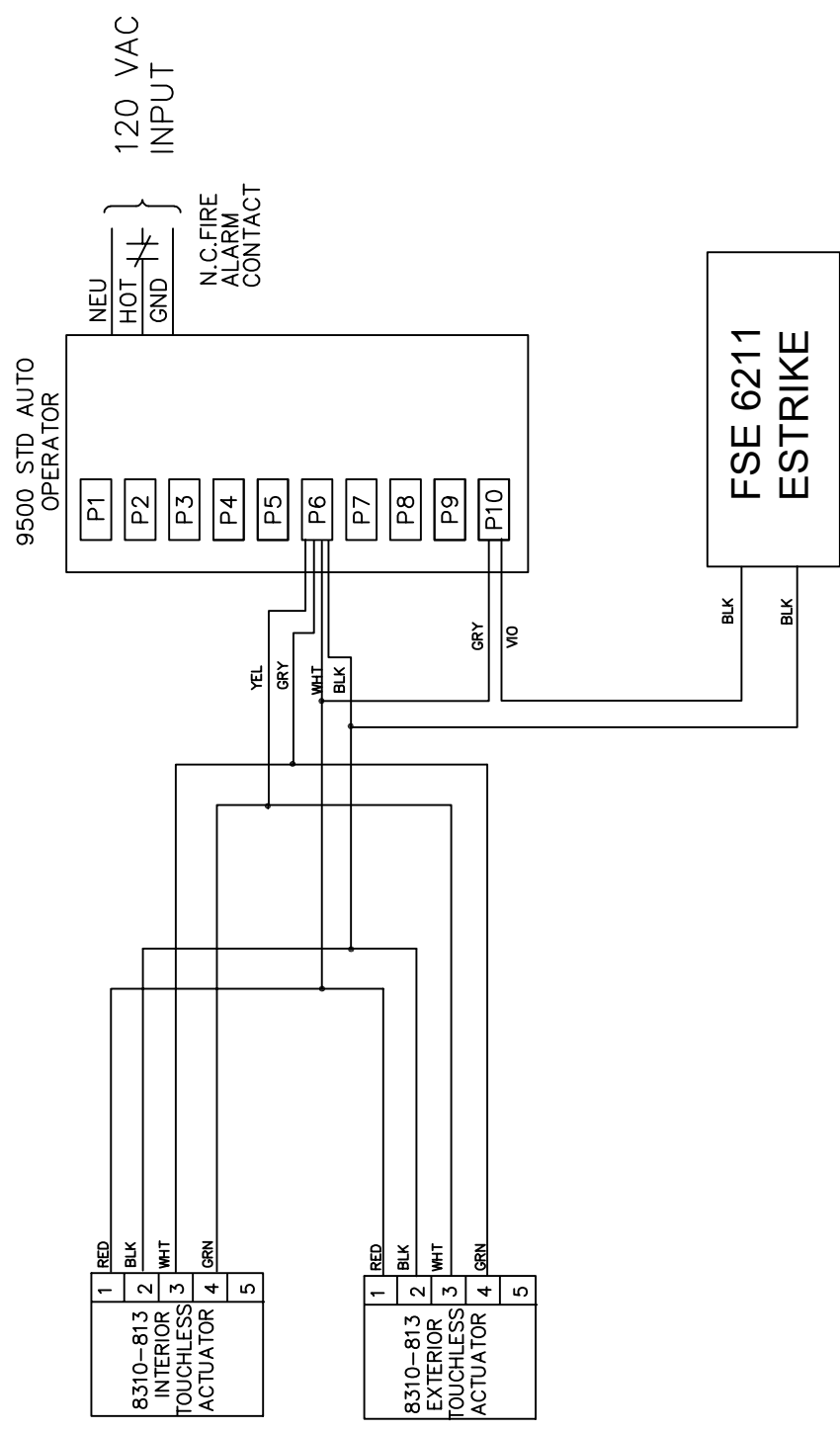
TITLE:  
 INTERIOR DOOR WITH VD ESTRIKE, LCN SR SWING AO AND TOUCHLESS ACTUATORS INTERIOR AND EXTERIOR

DRAWING TYPE: RISER DIAGRAM

DWG NO.: 113517 R  
 DRAWN/CHECKED BY: B DOVE/J WEISS

REV: A

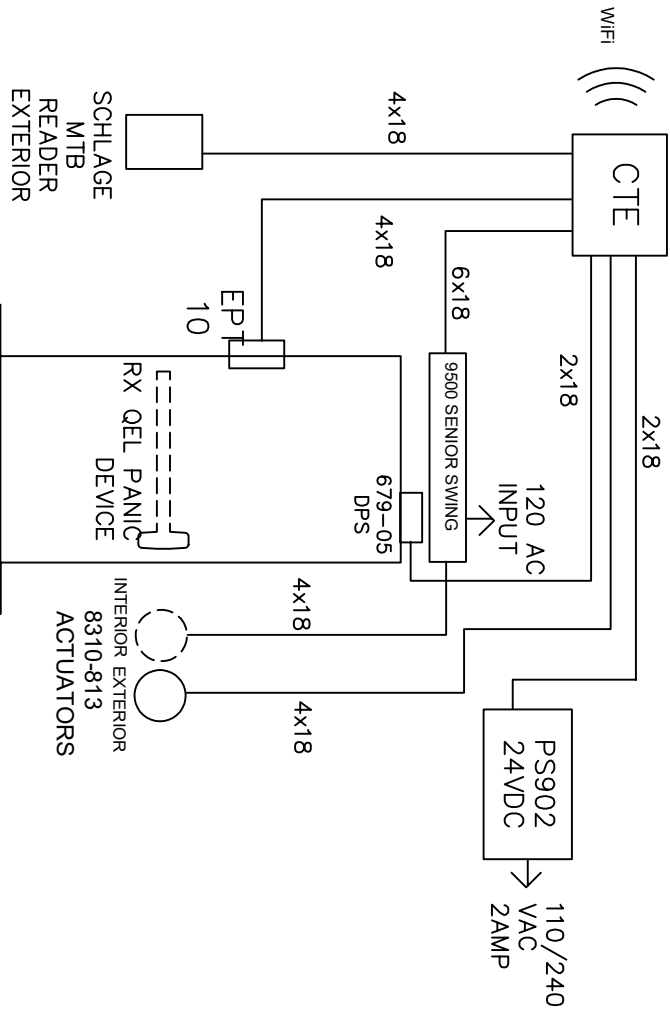
THIS DIAGRAM REPRESENTS A GENERIC CONFIGURATION. CUSTOM WIRING DIAGRAMS CAN BE ACQUIRED BY CONTACTING TECHNICAL SUPPORT.



<p><b>ALLEGION™</b></p> <p>INTERIOR DOOR WITH VD ESTRIKE, LCN SR SWING AO AND TOUCHLESS ACTUATORS INTERIOR AND EXTERIOR</p>		DWG NO: 113517 W	REV: A
		DRAWN BY: B DOVE/J WEISS	
<p>OPERATION:</p> <p>EXTERIOR WAVYING HAND IN FRONT OF 8310-813 TOUCHLESS ACTUATOR TO SIGNAL LCN SR SWING AO TO OPEN DOOR AND RELEASE 6211 ESTRIKE. MAY BE OPENED MANUALLY VIA ND CYL LOCK</p> <p>INTERIOR WAVYING HAND IN FRONT OF 8310-813 TOUCHLESS ACTUATOR TO SIGNAL LCN SR SWING AO TO RELEASE 6211 ESTRIKE AND OPEN DOOR. MAY BE OPENED VIA ND CYL LOCK.</p> <p>IN THIS EXAMPLE ALL WIRING CONNECTIONS ARE IN THE LCN SR SWING ENCLOSURE</p>		DATE DRAWN: 04-03-20	REVISION DATE: 04-03-20
<p>HARDWARE USED:</p> <p>1 LCN 9500 SR SWING AO ACTUATOR</p> <p>1 VD FSE 6211 ESTRIKE</p>		<p>TYPE:</p> <p>INTERIOR DOOR WITH VD ESTRIKE, LCN SR SWING AO AND TOUCHLESS ACTUATORS INTERIOR AND EXTERIOR</p>	
<p>NOTES:</p> <p>1) ALL LOW VOLTAGE WIRING TO BE STANDARD. MULTI-CONDUCTOR COLOR CODED WITHOUT SPLICES.</p> <p>2) WIRING TO CONFORM TO APPLICABLE NATIONAL, STATE AND LOCAL ELECTRICAL CODES.</p> <p>3) REFER TO SPECIFIC PRODUCT INSTALLATION INSTRUCTIONS FOR SPECIFIC WIRING REQUIREMENTS.</p> <p>4) THIS DRAWING IS FOR GRAPHICAL REPRESENTATION OF PRODUCTS DETAILED IN THE HARDWARE SET ONLY.</p> <p>5) ADDITIONAL WIRING WILL BE REQUIRED FROM ACP THAT IS NOT SHOWN HERE. CONSULT PROVIDER FOR DETAILS.</p>			

THIS DIAGRAM REPRESENTS A GENERIC CONFIGURATION. CUSTOM WIRING DIAGRAMS CAN BE ACQUIRED BY CONTACTING TECHNICAL SUPPORT.

TO ENGAGE™ CLOUD  
OR INTEGRATED  
SOFTWARE ALLIANCE  
MEMBER(SAM) SYSTEM;  
WIFI OR BLUETOOTH



NOTES:  
1) ALL LOW VOLTAGE WIRING TO BE STANDARD.  
MULTI-CONDUCTOR COLOR CODED WITHOUT SPLICES.  
2) WIRING TO CONFORM TO APPLICABLE NATIONAL, STATE AND LOCAL ELECTRICAL CODES.  
3) REFER TO SPECIFIC PRODUCT INSTALLATION INSTRUCTIONS FOR SPECIFIC WIRING REQUIREMENTS.  
4) THIS DRAWING IS FOR GRAPHICAL REPRESENTATION OF PRODUCTS DETAILED IN THE HARDWARE SET ONLY.  
5) \* CONDUCTOR COUNT TO BE DETERMINED BY ACCESS CONTROL PANEL PROVIDER.

HARDWARE USED:  
1 CTE x MTB SCHLAGE READER  
1 VD QEL PANIC  
1 EPT 10  
1 PS902  
1 67905 DPS  
1 LCN 9500 SENIOR SWING-- SINGLE DOOR  
2 8310-813 TOUCHLESS ACTUATORS

TYPE  
CTE WITH QEL AND PS902 WITH 9500  
SENIOR SWING AO, 8310-813 TOUCHLESS  
ACTUATORS

OPERATION:  
SCHLAGE MTB READER TO SIGNAL E1 TO RETRACT THE ELECTRIC LATCH ON VON  
DERFEN RX QEL PANIC AND ENABLE EXTERIOR ACTUATOR TO ALLOW ENTRY.  
FREE ENTRY ALWAYS PERMITTED. INTERIOR ACTUATOR ALWAYS ACTIVE.  
ADDITIONAL WIRING WILL BE REQUIRED THAT IS NOT SHOWN HERE.  
CTE TO COMMUNICATE TO ENGAGE™ CLOUD OR SOFTWARE ALLIANCE  
MEMBER(SAM) SYSTEM  
THIS IS NOT A FIRE RATED APPLICATION

DATE DRAWN: 03-27-20 REVISION DATE: 04-03-20

**ALLEGION™**

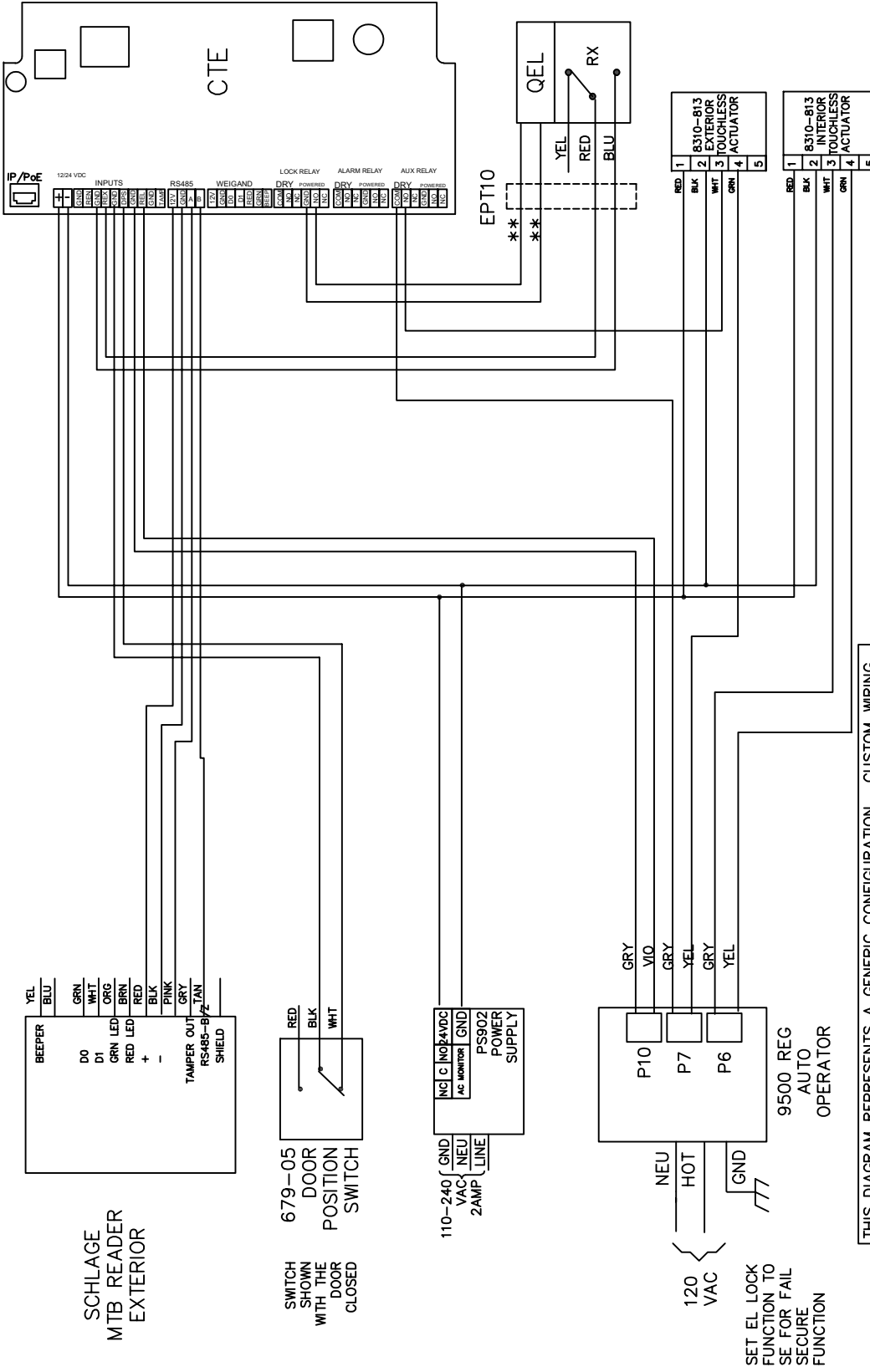
TITLE:  
CTE WITH QEL AND PS902 WITH 9500 SENIOR  
SWING AO, 8310-813 TOUCHLESS  
ACTUATORS

DRAWING TYPE:  
RISER DIAGRAM

DWG NO.: 113518R  
DRAWN BY/CHECKED BY:  
B DOVE/J WEISS

REV  
A





THIS DIAGRAM REPRESENTS A GENERIC CONFIGURATION. CUSTOM WIRING DIAGRAMS CAN BE ACQUIRED BY CONTACTING TECHNICAL SUPPORT.

NOTE:  
 \*\* USE #18 GAUGE WIRE FOR DISTANCES UP TO 200' FROM EPT TO PS902

OPERATION:  
 WITH READER TO SIGNAL EL TO RETRACT THE ELECTRIC LATCH ON NON-DUPLEX QEL PANIC BAR AND ENABLE EXTERIOR ACTUATOR TO ALLOW ENTRY. FREE EGRESS ALWAYS PERMITTED. INTERIOR ACTUATOR ALWAYS ACTIVE.  
 ADDITIONAL WIRING WILL BE REQUIRED THAT IS NOT SHOWN HERE.  
 CTE TO COMMUNICATE TO ENGAGE™ CLOUD OR SOFTWARE ALLIANCE MEMBER(SAM)SYSTEM  
 THIS IS NOT A FIRE RATED APPLICATION

HARDWARE USED:  
 1 CTE x MTB SCHLAGE READER  
 1 VD QEL PANIC  
 1 EPT 10  
 1 PS902  
 1 679-05 DPS  
 1 LCN 9500 SENIOR SWING - SINGLE DOOR  
 2 8310-813 TOUCHLESS ACTUATORS

**ALLEGION™**

TITLE: CTE WITH QEL AND PS902 WITH 9500 SENIOR SWING AO, 8310-813 TOUCHLESS ACTUATORS

DATE DRAWN: 03-27-20 REVISION DATE: 04-03-20

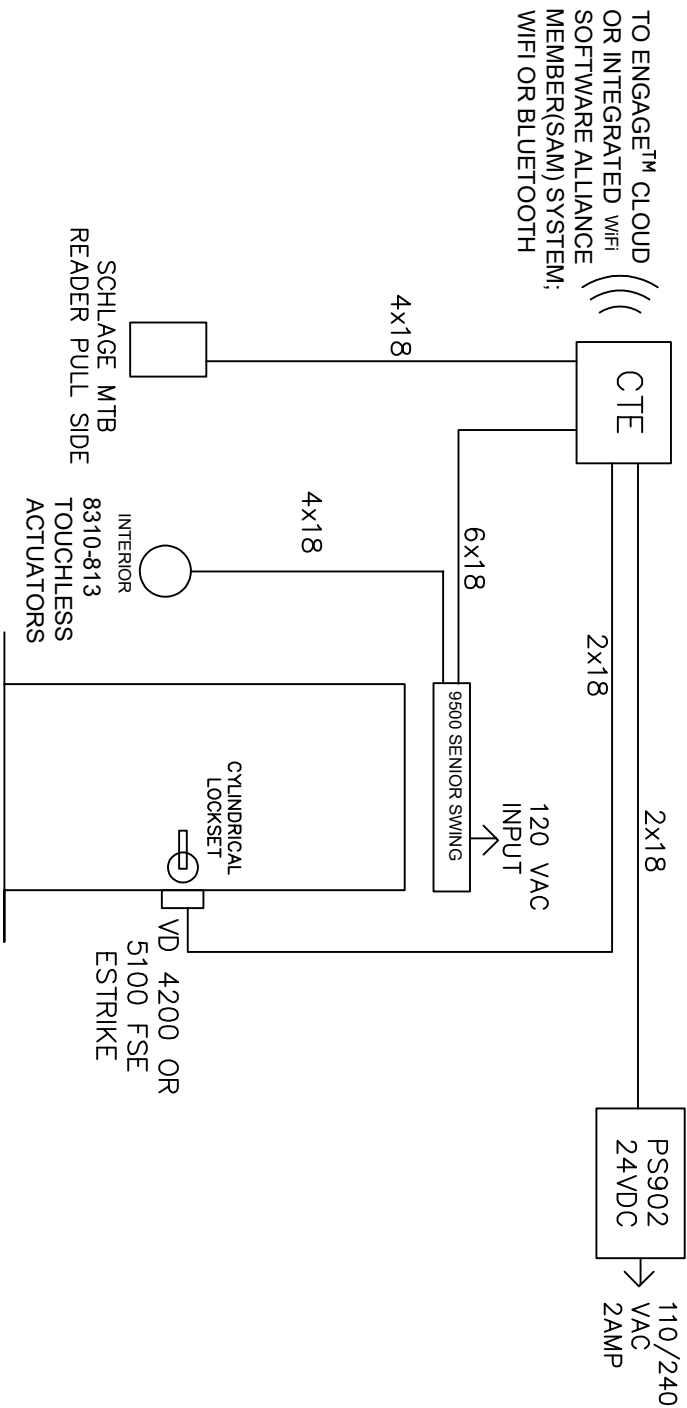
DWG NO: 113518W

DRAWN/CHECKED BY: B DOVE / J WEISS

REV: A

NOTES:  
 1) ALL LOW VOLTAGE WIRING TO BE STANDARD, MULTI-CONDUCTOR COLOR CODED WITHOUT SPLICES.  
 2) WIRING TO CONFORM TO APPLICABLE NATIONAL, STATE AND LOCAL ELECTRICAL CODES.  
 3) REFER TO SPECIFIC PRODUCT INSTALLATION INSTRUCTIONS FOR SPECIFIC WIRING REQUIREMENTS.  
 4) THIS DRAWING IS FOR GRAPHICAL REPRESENTATION OF PRODUCTS DETAILED IN THE HARDWARE SET ONLY.  
 5) ADDITIONAL WIRING WILL BE REQUIRED FROM ACP THAT IS NOT SHOWN HERE. CONSULT PROVIDER FOR DETAILS.

THIS DIAGRAM REPRESENTS A GENERIC CONFIGURATION. CUSTOM WIRING DIAGRAMS CAN BE ACQUIRED BY CONTACTING TECHNICAL SUPPORT.



NOTES:  
 1) ALL LOW VOLTAGE WIRING TO BE STANDARD MULTICONDUCTOR COLOR CODED WITHOUT SPLICES.  
 2) WIRING TO CONFORM TO APPLICABLE NATIONAL, STATE AND LOCAL ELECTRICAL CODES.  
 3) REFER TO SPECIFIC PRODUCT INSTALLATION INSTRUCTIONS FOR SPECIFIC WIRING REQUIREMENTS.  
 4) THIS DRAWING IS FOR GRAPHICAL REPRESENTATION OF PRODUCTS DETAILED IN THE HARDWARE SET ONLY.  
 5) \* CONDUCTOR COUNT TO BE DETERMINED BY ACCESS CONTROL PANEL PROVIDER.

HARDWARE USED:

1 CTE
1 MTB SCHLAGE READER
1 VD 5100 OR 4200 FSE ESTRIKE
1 PS902
1 9500 SENIOR SWING - SINGLE DOOR
1 8310-813 TOUCHLESS ACTUATOR

TYPE: CTE ACCESS CONTROL WITH ESTRIKE WITH SENIOR SWING AO AND INTERIOR TOUCHLESS ACTUATOR

OPERATION:  
 SCHLAGE MTB READER TO SIGNAL ESTRIKE TO RELEASE AND SWING DOOR OPEN VIA 9500 AO. FREE EGRESS ALWAYS PERMITTED. INTERIOR ACTUATOR ALWAYS ACTIVE.  
 ADDITIONAL WIRING WILL BE REQUIRED THAT IS NOT SHOWN HERE.  
 CTE TO COMMUNICATE TO ENGAGE™ CLOUD OR SOFTWARE ALLIANCE MEMBER(SAM) SYSTEM  
 THIS IS NOT A FIRE RATED APPLICATION

DATE DRAWN: 03-26-20	REVISION DATE: 04-03-20
----------------------	-------------------------

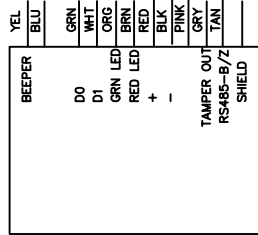
**ALLEGION™**

TITLE: CTE WITH ESTRIKE AND PS902 WITH 9500 SENIOR SWING AO AND INTERIOR TOUCHLESS ACTUATOR

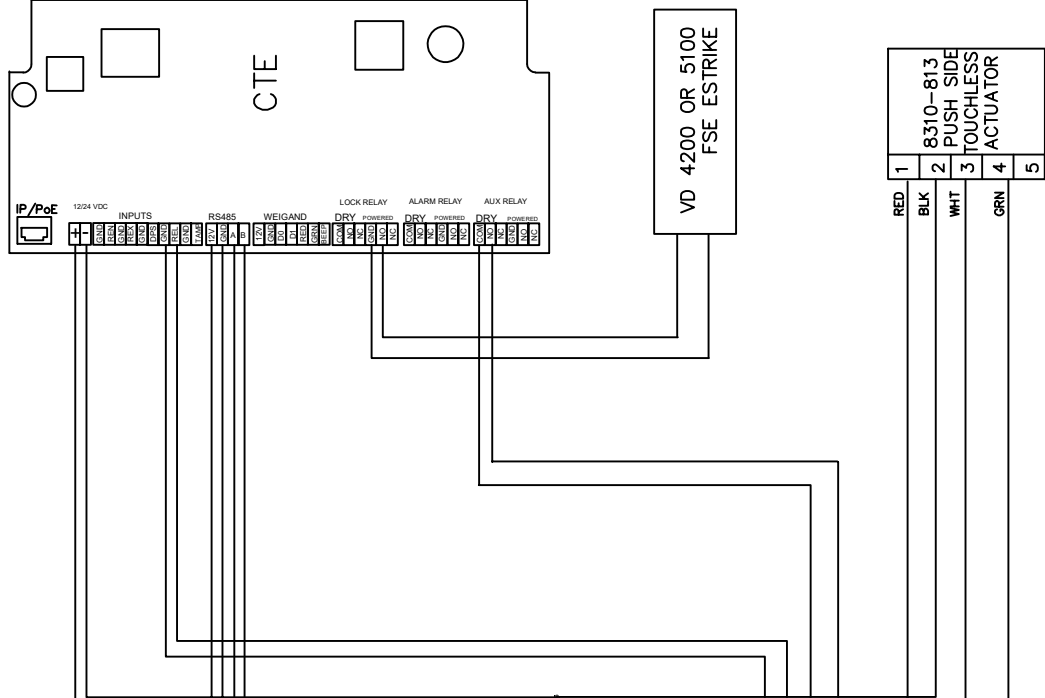
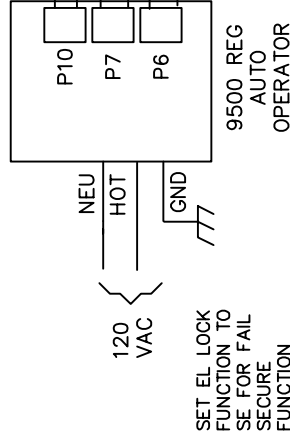
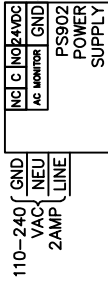
DRAWING TYPE: RISER DIAGRAM

DWG NO. 113520R	REV A
DRAWN/CHECKED BY: B DOVE/J WEISS	

SCHLAGE  
MTB  
READER  
PULL SIDE



THIS DIAGRAM REPRESENTS A GENERIC CONFIGURATION. CUSTOM WIRING DIAGRAMS CAN BE ACQUIRED BY CONTACTING TECHNICAL SUPPORT.



NOTES:  
1) ALL LOW VOLTAGE WIRING TO BE STANDARD. MULTI-CONDUCTOR COLOR CODED WITHOUT SPLICES.  
2) WIRING TO CONFORM TO APPLICABLE NATIONAL, STATE AND LOCAL ELECTRICAL CODES.  
3) REFER TO SPECIFIC PRODUCT INSTALLATION INSTRUCTIONS FOR SPECIFIC WIRING REQUIREMENTS.  
4) THIS DRAWING IS FOR GRAPHICAL REPRESENTATION OF PRODUCTS DETAILED IN THE HARDWARE SET ONLY.  
5) ADDITIONAL WIRING WILL BE REQUIRED FROM ACP THAT IS NOT SHOWN HERE. CONSULT PROVIDER FOR DETAILS.

HARDWARE USED:  
1 CTE  
1 MTB SCHLAGE READER  
1 VD 4200 OR 5100 FSE ESTRIKE  
1 PS902  
1 LCN 9500 SENIOR SWING - SINGLE DOOR TOUCHLESS ACTUATOR  
1 LCN 8310-813 TOUCHLESS ACTUATOR

TYPE:  
CTE ACCESS CONTROL WITH ESTRIKE WITH SENIOR SWING AO AND INTERIOR TOUCHLESS ACTUATOR

OPERATION:  
SCHLAGE MTB READER TO SIGNAL ESTRIKE TO RELEASE AND SWING DOOR OPEN VIA 9500 AO. FREE EGRESS ALWAYS PERMITTED. INTERIOR ACTUATOR ALWAYS ACTIVE.  
ADDITIONAL WIRING WILL BE REQUIRED THAT IS NOT SHOWN HERE. CTE TO COMMUNICATE TO ENGAGE™ CLOUD OR SOFTWARE ALLIANCE MEMBER(SAM)/SYSTEM  
THIS IS NOT A FIRE RATED APPLICATION

DATE DRAWN: 03-26-20 REVISION DATE: 04-03-20

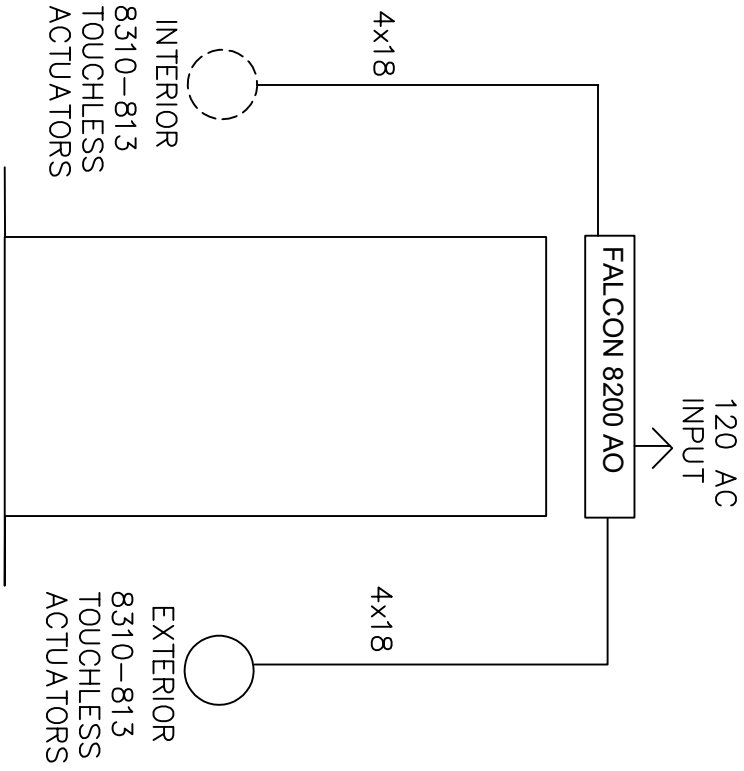
**ALLEGION™**

TITLE: CTE WITH ESTRIKE AND PS902 WITH 9500 SENIOR SWING AO AND INTERIOR TOUCHLESS ACTUATOR

DWG NO: 113520W  
DRAWN/CHECKED BY: B DOVE / J WEISS

REV: A


THIS DIAGRAM REPRESENTS A GENERIC CONFIGURATION. CUSTOM WIRING DIAGRAMS CAN BE ACQUIRED BY CONTACTING TECHNICAL SUPPORT.



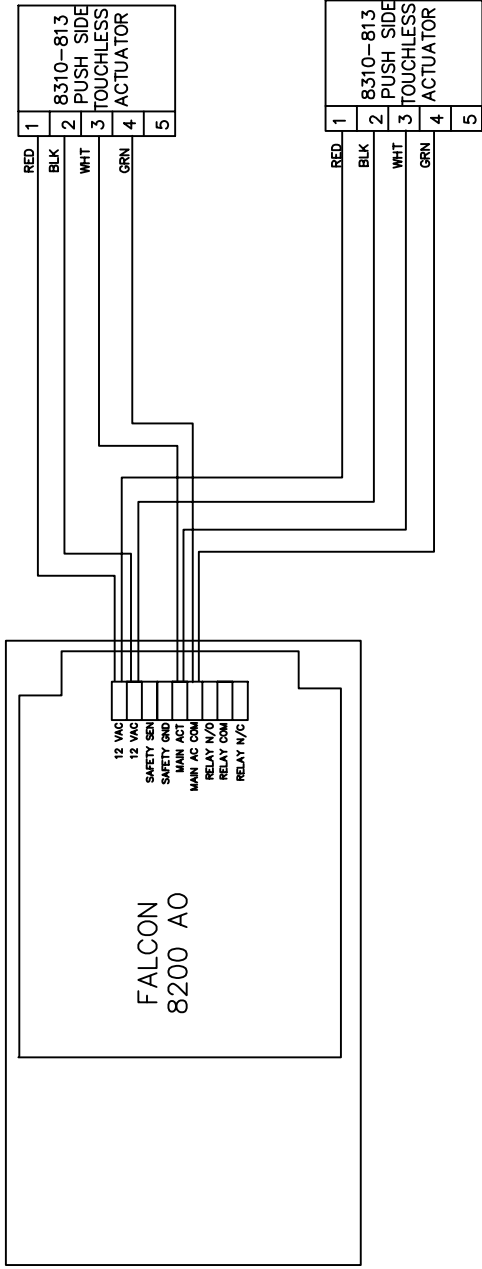
NOTES:  
 1) ALL LOW VOLTAGE WIRING TO BE STANDARD MULTICONDUCTOR COLOR CODED WITHOUT SPLICES.  
 2) WIRING TO CONFORM TO APPLICABLE NATIONAL, STATE AND LOCAL ELECTRICAL CODES.  
 3) REFER TO SPECIFIC PRODUCT INSTALLATION INSTRUCTIONS FOR SPECIFIC WIRING REQUIREMENTS.  
 4) THIS DRAWING IS FOR GRAPHICAL REPRESENTATION OF PRODUCTS DETAILED IN THE HARDWARE SET ONLY.  
 5) \* CONDUCTOR COUNT TO BE DETERMINED BY ACCESS CONTROL PANEL PROVIDER.

HARDWARE USED:	
1	FALCON 8200 AO
2	8310-813 TOUCHLESS ACTUATOR
TYPE	
NON LATCHING BATHROOM DOOR WITH TOUCHLESS ACTUATORS INTERIOR AND EXTERIOR	

OPERATION: SINGLE BATHROOM DOOR ENTRANCE, NON FIRE RATED, NO POSITIVE LATCHING.	
EXTERIOR: WAVING HAND IN FRONT OF 8310-813 TOUCHLESS ACTUATOR TO SIGNAL FALCON 8200 AO TO OPEN OR DOOR MAY BE PULLED OPEN MANUALLY VIA PULL ON DOOR	
INTERIOR: WAVING HAND IN FRONT OF 8310-813 TOUCHLESS ACTUATOR TO SIGNAL FALCON 8200 AO TO OPEN OR DOOR MAY BE PUSHED OPEN FROM INSIDE.	
DATE DRAWN:	03-27-20
REVISION DATE:	04-03-20

TITLE:	
NON LATCHING BATHROOM DOOR WITH TOUCHLESS ACTUATORS INTERIOR AND EXTERIOR	
	
DRAWING TYPE:	RISER DIAGRAM
DWG NO.:	113521R
DRAWN/CHECKED BY:	B DOVE/J WEISS
REV:	A

THIS DIAGRAM REPRESENTS A GENERIC CONFIGURATION. CUSTOM WIRING DIAGRAMS CAN BE ACQUIRED BY CONTACTING TECHNICAL SUPPORT.



NOTES:  
 1) ALL LOW VOLTAGE WIRING TO BE STANDARD, MULTI-CONDUCTOR COLOR CODED WITHOUT SPLICES.  
 2) WIRING TO CONFORM TO APPLICABLE NATIONAL, STATE AND LOCAL ELECTRICAL CODES.  
 3) REFER TO SPECIFIC PRODUCT INSTALLATION INSTRUCTIONS FOR SPECIFIC WIRING REQUIREMENTS.  
 4) THIS DRAWING IS FOR GRAPHICAL REPRESENTATION OF PRODUCTS DETAILED IN THE HARDWARE SET ONLY.  
 5) ADDITIONAL WIRING WILL BE REQUIRED FROM ACP THAT IS NOT SHOWN HERE. CONSULT PROVIDER FOR DETAILS.

HARDWARE USED:  
 1 FALCON 8200 AO  
 2 8310-813 TOUCHLESS ACTUATOR

TYPE:  
 NON LATCHING BATHROOM DOOR WITH TOUCHLESS ACTUATORS INTERIOR AND EXTERIOR

OPERATION:  
 SINGLE BATHROOM DOOR ENTRANCE, NON FIRE RATED, NO POSITIVE LATCHING.  
 EXTERIOR WAVING HAND IN FRONT OF 8310-813 TOUCHLESS ACTUATOR TO SIGNAL FALCON 8200 AO TO OPEN OR DOOR MAY BE PULLED OPEN MANUALLY VIA PULL ON DOOR  
 INTERIOR WAVING HAND IN FRONT OF 8310-813 TOUCHLESS ACTUATOR TO SIGNAL FALCON 8200 AO TO OPEN OR DOOR MAY BE PUSHED OPEN FROM INSIDE.

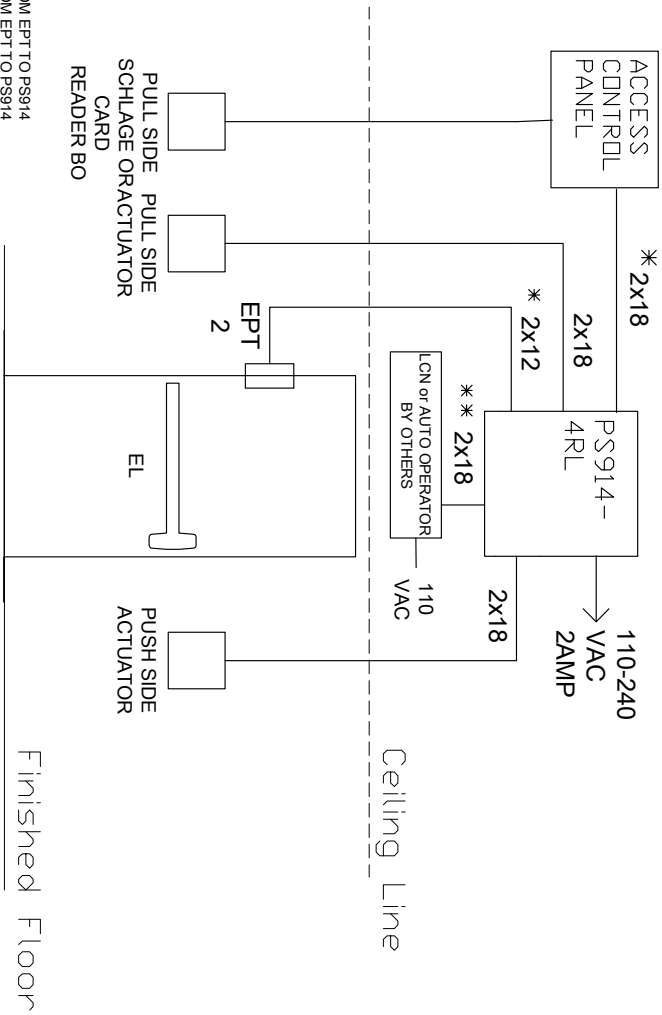
DATE DRAWN: 03-27-20 REVISION DATE: 04-03-20

**ALLEGION™**

NON LATCHING BATHROOM DOOR WITH TOUCHLESS ACTUATORS INTERIOR AND EXTERIOR

DRAWING TYPE: WIRING DIAGRAM  
 DWG NO: 113521W  
 DRAWN/CHECKED BY: B DOVE/J WEISS  
 REV: A

THIS DIAGRAM REPRESENTS A GENERIC CONFIGURATION. CUSTOM WIRING DIAGRAMS CAN BE ACQUIRED BY CONTACTING TECHNICAL SUPPORT.



NOTE:  
 \*USE #12 GAUGE WIRE FOR DISTANCES UP TO 200' FROM EPT TO PS914  
 \*USE #14 GAUGE WIRE FOR DISTANCES UP TO 100' FROM EPT TO PS914  
 \*\*ADDITIONAL WIRING IS REQUIRED. SEE MANUFACTURER INSTALLATION INSTRUCTION

NOTES:  
 1) ALL LOW VOLTAGE WIRING TO BE STANDARD MULTI-CONDUCTOR COLOR CODED WITHOUT SPLICES.  
 2) WIRING TO CONFORM TO APPLICABLE NATIONAL, STATE AND LOCAL ELECTRICAL CODES.  
 3) REFER TO SPECIFIC PRODUCT INSTALLATION INSTRUCTIONS FOR SPECIFIC WIRING REQUIREMENTS.  
 4) THIS DRAWING IS FOR GRAPHICAL REPRESENTATION OF PRODUCTS DETAILED IN THE HARDWARE SET ONLY.  
 5) \* CONDUCTOR COUNT TO BE DETERMINED BY ACCESS CONTROL PANEL PROVIDER.

HARDWARE USED:  
 1 VENDOR/PRN OR FALCON EL PANIC DEVICE  
 1 SCHEDULE OR CARD READER BY OTHERS WITH APP  
 2 ACTUATORS  
 1 PS914-4RL POWER SUPPLY  
 1 EPT POWER TRANSFER  
 1 LON OR AUTO OPERATOR BY OTHERS

OPERATION:  
 PUSH SIDE ACTUATOR TO RETRACT THE ELECTRIC PANIC BAR AND OPEN THE DOOR.  
 PULL SIDE SCHEDULE OR CARD READER TO RETRACT THE ELECTRIC PANIC BAR AND ENABLE THE PULL SIDE ACTUATOR TO OPEN THE DOOR.  
 THIS CONFIGURATION REPRESENTS A NON FIRE RATED OPENING.  
 IN THIS EXAMPLE ALL WIRING CONNECTIONS ARE MADE IN THE PS914 ENCLOSURE.

TYPE: IR EL PANIC WITH AD

DATE DRAWN: 3-20-13

REVISION DATE: 07-03-17

TITLE:  
 PS914-4RL AS AO WITH EL PANIC

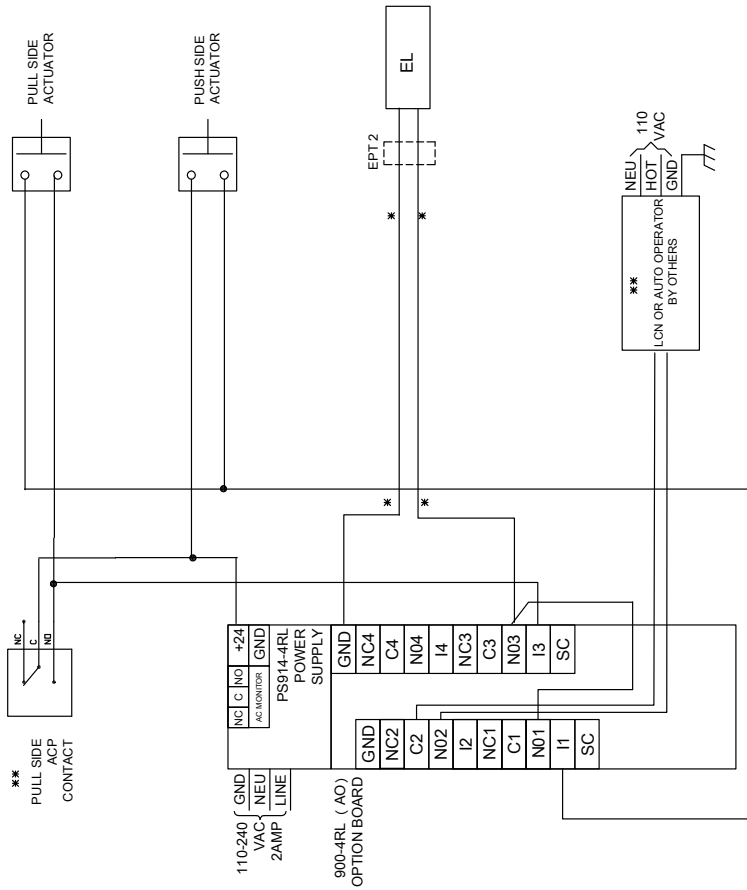


DRAWING TYPE: RISER DIAGRAM

DWG NO.: 109441  
 DRAWN/CHECKED BY: BRENDA DOVE

REV: D

THIS DIAGRAM REPRESENTS A GENERIC CONFIGURATION. CUSTOM WIRING DIAGRAMS CAN BE ACQUIRED BY CONTACTING TECHNICAL SUPPORT.



NOTE:  
 \* USE #12 GAUGE WIRE FOR DISTANCES UP TO 200' FROM EPT TO PS914  
 \* USE #14 GAUGE WIRE FOR DISTANCES UP TO 100' FROM EPT TO PS914  
 \*\* ADDITIONAL WIRING IS REQUIRED. SEE MANUFACTURER INSTALLATION INSTRUCTION

SET 900-4RL CARD:  
 SW2 PACK-SW1 OFF AND SW2 ON.  
 SW1 PACK-SW1 ON, SW2 OFF, SW3 AND SW4 OFF AND OTHER SWITCHES AS REQUIRED FOR INSTALLATION. SEE 900-4RL INSTALLATION INSTRUCTIONS FOR DETAILS.

PROGRAM C2 AND NO2 FOR DRY CONTACT.

SET ALL OTHER SWITCHES AS REQUIRED FOR INSTALLATION

- NOTES:
- 1) ALL LOW VOLTAGE WIRING TO BE STANDARD. MULTI-CONDUCTOR COLOR CODED WITHOUT SPLICES.
  - 2) WIRING TO CONFORM TO APPLICABLE NATIONAL, STATE AND LOCAL ELECTRICAL CODES.
  - 3) REFER TO SPECIFIC PRODUCT INSTALLATION INSTRUCTIONS FOR SPECIFIC WIRING REQUIREMENTS.
  - 4) THIS DRAWING IS FOR GRAPHICAL REPRESENTATION OF PRODUCTS DETAILED IN THE HARDWARE SET ONLY.
  - 5) \* CONDUCTOR COUNT TO BE DETERMINED BY ACCESS CONTROL PANEL PROVIDER.

- HARDWARE USED:
- 1 VONDUPRIN DR FALCON EL PANIC DEVICE
  - 1 SCHLAGE DR CARD READER BY OTHERS WITH ACP
  - 2 ACTUATORS
  - 1 PS914-4RL POWER SUPPLY
  - 1 EPT POWER TRANSFER
  - 1 LCN OR AUTO OPERATOR BY OTHERS
- TYPE IR EL PANIC WITH AD

OPERATION:  
 PUSH SIDE ACTUATOR TO RETRACT THE ELECTRIC PANIC BAR AND OPEN THE DOOR.  
 PULL SIDE SCHLAGE OR CARD READER TO RETRACT THE ELECTRIC PANIC BAR AND ENABLE THE PULL SIDE ACTUATOR TO OPEN THE DOOR.  
 THIS CONFIGURATION REPRESENTS A NON-FIRE RATED OPENING.  
 IN THIS EXAMPLE ALL WIRING CONNECTIONS ARE MADE IN THE PS914 ENCLOSURE.

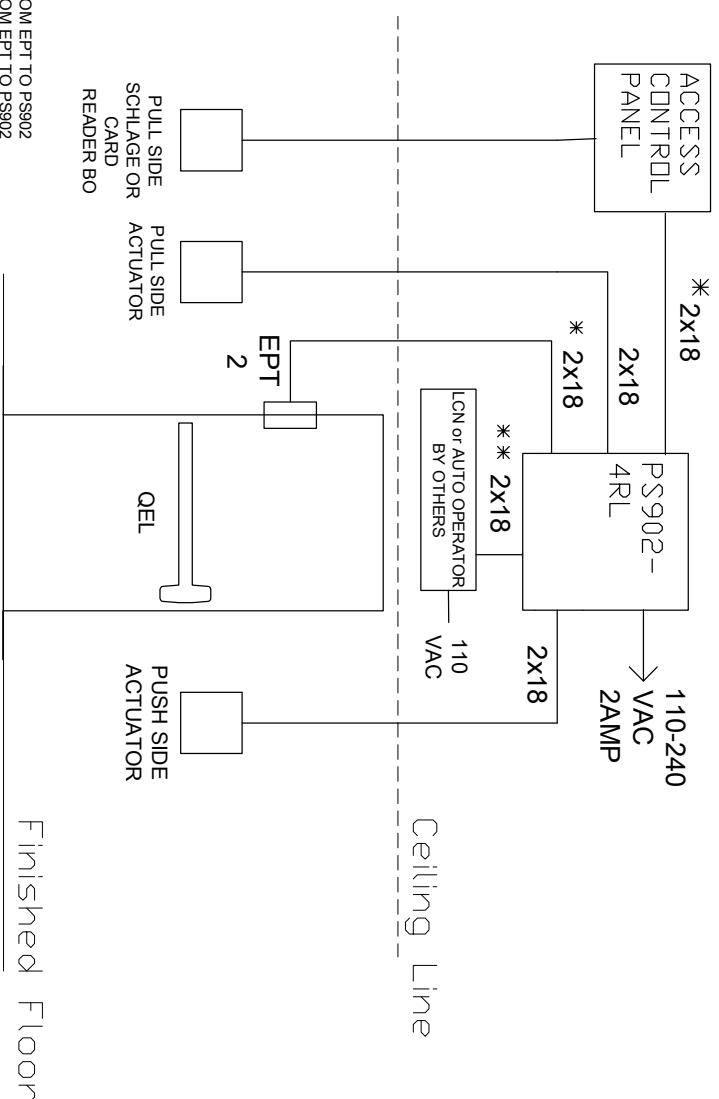
DATE DRAWN: 3-20-13 REVISION DATE: 07-03-17



PS902-4RL AS AO WITH QEL PANIC

DRAWING TYPE: WIRING DIAGRAM	DWG NO.: 021618-2R	REV: A
DRAWN BY: B DOVE/ B DYE		REV: A

THIS DIAGRAM REPRESENTS A GENERIC CONFIGURATION. CUSTOM WIRING DIAGRAMS CAN BE ACQUIRED BY CONTACTING TECHNICAL SUPPORT.



NOTE:  
 \*USE #18 GAUGE WIRE FOR DISTANCES UP TO 200' FROM EPT TO PS902  
 \*USE #14 GAUGE WIRE FOR DISTANCES UP TO 500' FROM EPT TO PS902  
 \*\*ADDITIONAL WIRING IS REQUIRED. SEE MANUFACTURER INSTALLATION INSTRUCTION

NOTES:  
 1) ALL LOW VOLTAGE WIRING TO BE STANDARD, MULTI-CONDUCTOR COLOR CODED WITHOUT SPLICES.  
 2) WIRING TO CONFORM TO APPLICABLE NATIONAL, STATE AND LOCAL ELECTRICAL CODES.  
 3) REFER TO SPECIFIC PRODUCT INSTALLATION INSTRUCTIONS FOR SPECIFIC WIRING REQUIREMENTS.  
 4) THIS DRAWING IS FOR GRAPHICAL REPRESENTATION OF PRODUCTS DETAILED IN THE HARDWARE SET ONLY.  
 5) \* CONDUCTOR COUNT TO BE DETERMINED BY ACCESS CONTROL PANEL PROVIDER.

HARDWARE USED:  
 1 VONDUPRIN QEL PANIC DEVICE  
 1 SCHLAGE OR CARD READER BY OTHERS WITH ACP  
 2 ACTUATORS  
 1 PS902-4RL POWER SUPPLY  
 1 EPT POWER TRANSFER  
 1 LCN OR AUTO OPERATOR BY OTHERS

OPERATION:  
 PUSH SIDE ACTUATOR TO RETRACT THE QUIELECTRIC PANIC BAR AND OPEN THE DOOR.  
 PULL SIDE SCHLAGE OR CARD READER BO TO RETRACT THE ELECTRIC PANIC BAR AND ENABLE THE PULL SIDE ACTUATOR TO OPEN THE DOOR.  
 THIS CONFIGURATION REPRESENTS A NON FIRE RATED OPENING.  
 IN THIS EXAMPLE ALL WIRING CONNECTIONS ARE MADE IN THE PS902 ENCLOSURE.

TYPE QEL PANIC WITH AD

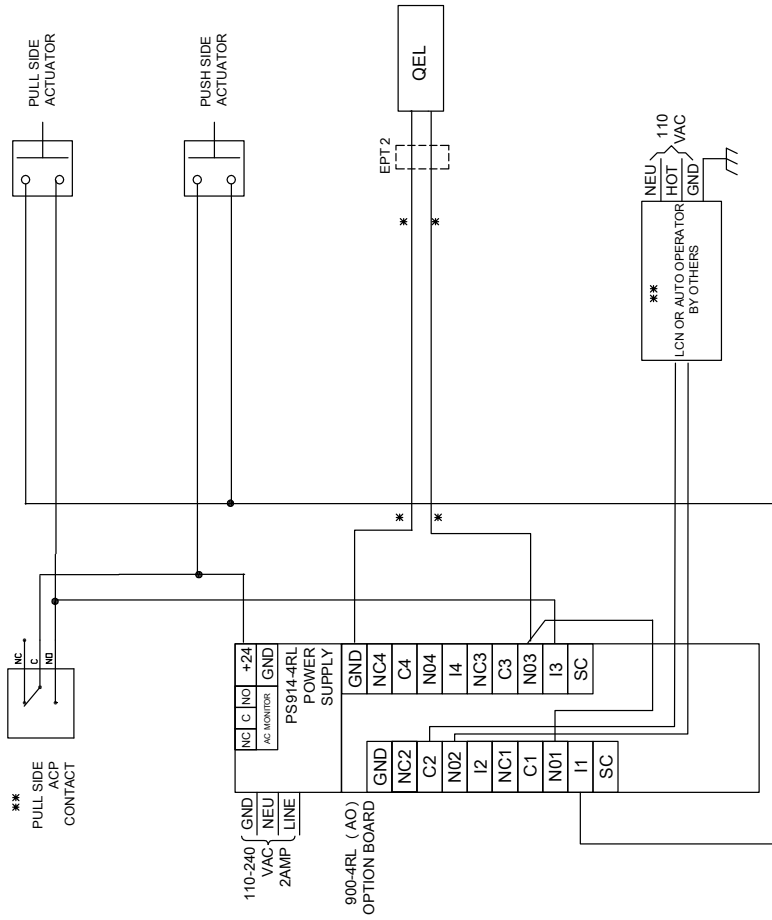
DATE DRAWN: 02-16-18 REVISION DATE: 02-16-18

TITLE: PS902-4RL AS AO WITH QEL PANIC

DRAWING TYPE: RISER DIAGRAM  
 DWG NO.: 112132R  
 DRAWN/CHECKED BY: BRENDA DOVE  
 REV: A



THIS DIAGRAM REPRESENTS A GENERIC CONFIGURATION. CUSTOM WIRING DIAGRAMS CAN BE ACQUIRED BY CONTACTING TECHNICAL SUPPORT.



SET 900-4RL CARD:  
 SW2 PACK-SW1 OFF AND SW2 ON.  
 SW1 PACK-SW1 ON, SW2 OFF, SW3 AND SW4 OFF AND OTHER SWITCHES AS REQUIRED FOR INSTALLATION. SEE 900-4RL INSTALLATION INSTRUCTIONS FOR DETAILS.

PROGRAM C2 AND N02 FOR DRY CONTACT.

SET ALL OTHER SWITCHES AS REQUIRED FOR INSTALLATION

NOTE:  
 \* USE #18 GAUGE WIRE FOR DISTANCES UP TO 200' FROM EPT TO PS902  
 \* USE #14 GAUGE WIRE FOR DISTANCES UP TO 500' FROM EPT TO PS902  
 \*\* ADDITIONAL WIRING IS REQUIRED. SEE MANUFACTURER INSTALLATION INSTRUCTION

- NOTES:
- 1) ALL LOW VOLTAGE WIRING TO BE STANDARD, MULTI-CONDUCTOR COLOR CODED WITHOUT SPLICES.
  - 2) WIRING TO CONFORM TO APPLICABLE NATIONAL, STATE AND LOCAL ELECTRICAL CODES.
  - 3) REFER TO SPECIFIC PRODUCT INSTALLATION INSTRUCTIONS FOR SPECIFIC WIRING REQUIREMENTS.
  - 4) THIS DRAWING IS FOR GRAPHICAL REPRESENTATION OF PRODUCTS DETAILED IN THE HARDWARE SET ONLY.
  - 5) \* CONDUCTOR COUNT TO BE DETERMINED BY ACCESS CONTROL PANEL PROVIDER.

- HARDWARE USED:
- 1 VONDUPRIN QEL PANIC DEVICE
  - 1 SCHLAGE DR CARD READER BY OTHERS WITH ACP
  - 2 ACTUATORS
  - 1 PS902-4RL POWER SUPPLY
  - 1 EPT POWER TRANSFER
  - 1 LCN OR AUTO OPERATOR BY OTHERS

TYPE QEL PANIC WITH AD

OPERATION  
 PUSH SIDE ACTUATOR TO RETRACT THE QUIET ELECTRIC PANIC BAR AND OPEN THE DOOR.  
 PULL SIDE SCHLAGE DR CARD READER TO RETRACT THE ELECTRIC PANIC BAR AND ENABLE THE PULL SIDE ACTUATOR TO OPEN THE DOOR.  
 THIS CONFIGURATION REPRESENTS A NON FIRE RATED OPENING.  
 IN THIS EXAMPLE ALL WIRING CONNECTIONS ARE MADE IN THE PS902 ENCLOSURE.

DATE DRAWN: 02-16-18 REVISION DATE: 02-16-18

**ALLEGION™**

PS902-4RL AS AO WITH QEL PANIC

TITLE: PS902-4RL AS AO WITH QEL PANIC

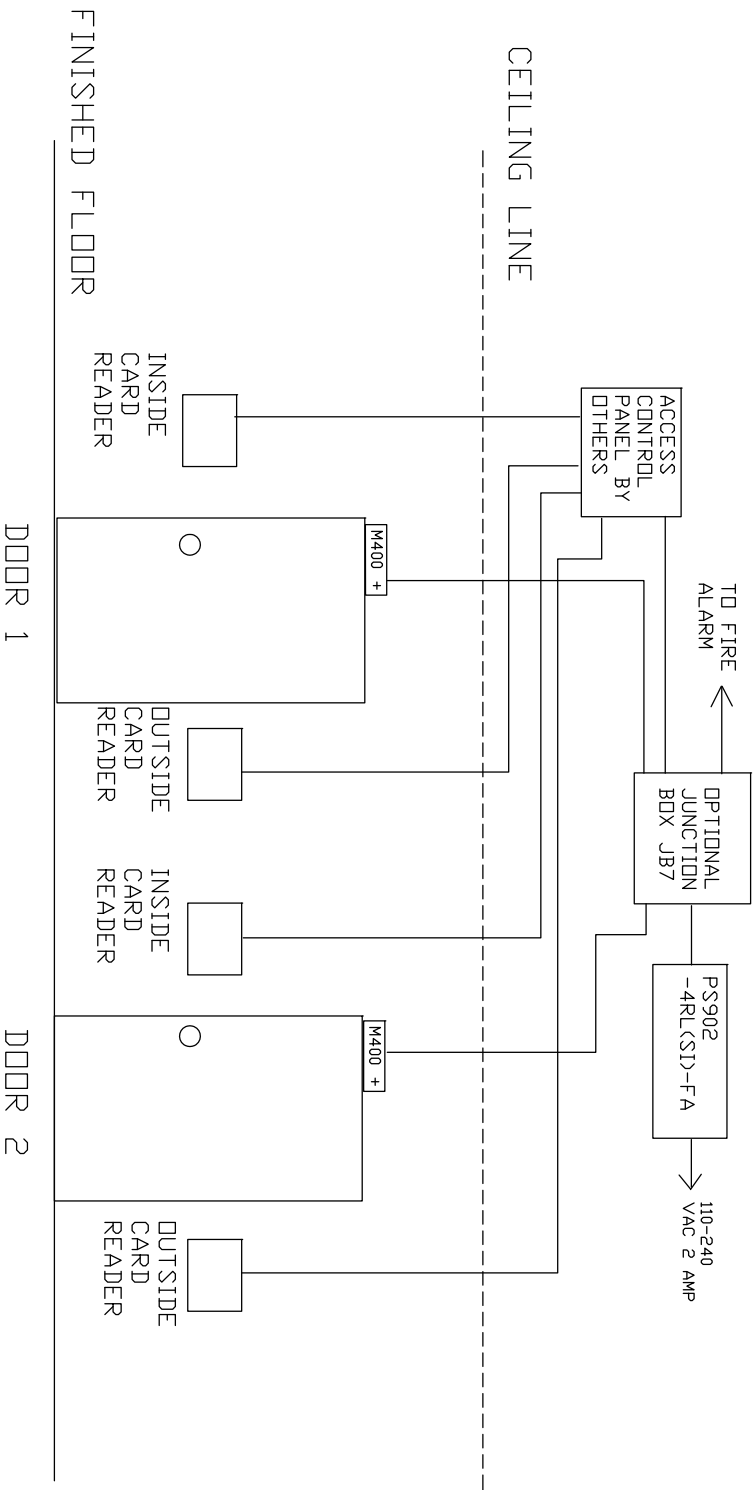
DWG NO: 112132W

REV: A

WIRING DIAGRAM

DRAWN/CHECKED BY: B DOVE

THIS DIAGRAM REPRESENTS A GENERIC CONFIGURATION. CUSTOM WIRING DIAGRAMS CAN BE ACQUIRED BY CONTACTING TECHNICAL SUPPORT.



NOTES:  
 1) ALL LOW VOLTAGE WIRING TO BE STANDARD, MULTI-CONDUCTOR COLOR CODED WITHOUT SPLICES.  
 2) WIRING TO CONFORM TO APPLICABLE NATIONAL, STATE AND LOCAL ELECTRICAL CODES.  
 3) REFER TO SPECIFIC PRODUCT INSTALLATION INSTRUCTIONS FOR SPECIFIC WIRING REQUIREMENTS.  
 4) THIS DRAWING IS FOR GRAPHICAL REPRESENTATION OF PRODUCTS DETAILED IN THE HARDWARE SET ONLY.  
 5) ADDITIONAL WIRING WILL BE REQUIRED FROM ACP THAT IS NOT SHOWN HERE. CONSULT PROVIDER FOR DETAILS.

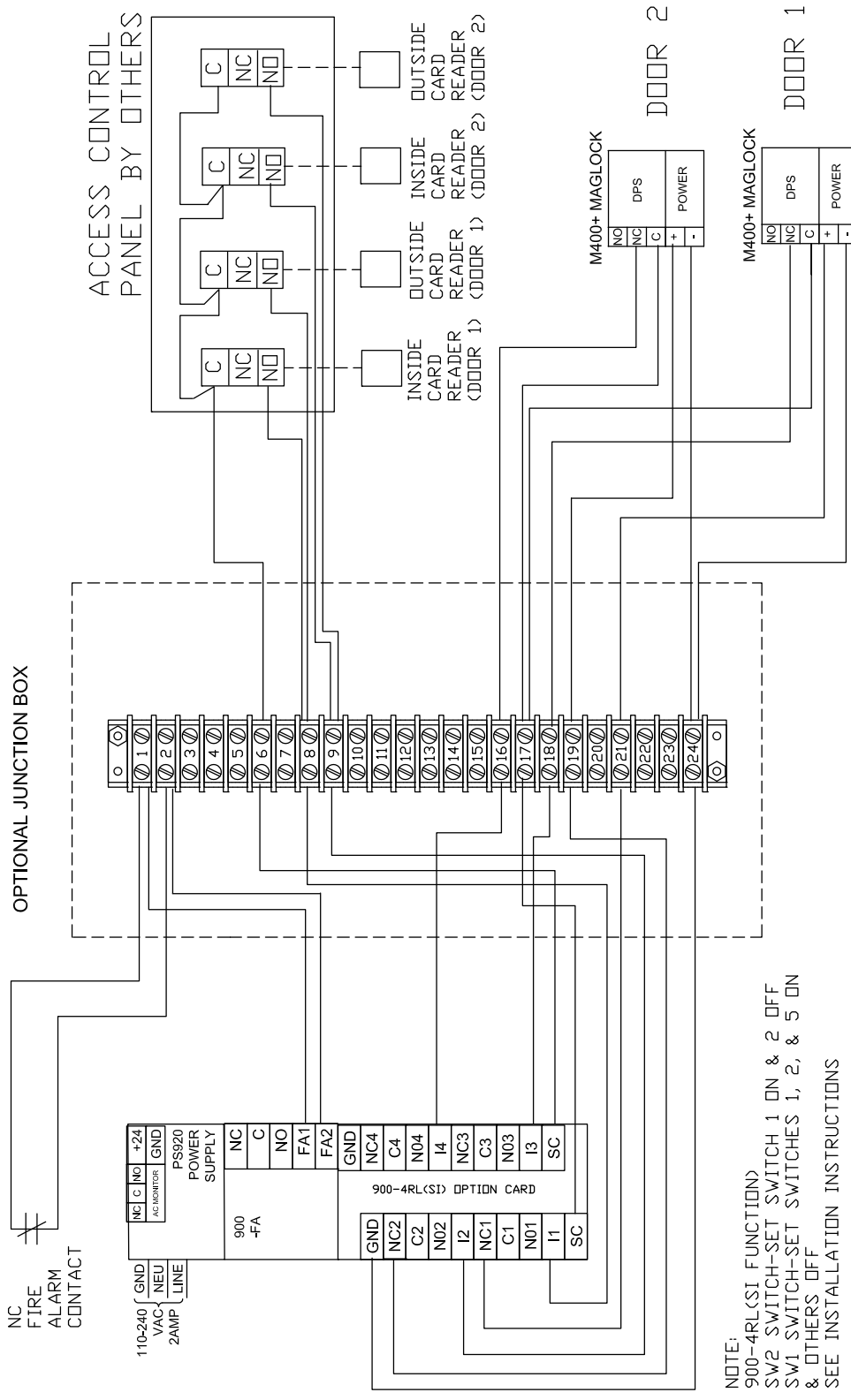
HARDWARE USED:  
 1 - PS902-4RL-FA  
 2 - M400 PLUS MAGLOCK  
 4 - CARDREADER 7 ACCESS CONTROL PANEL BY OTHERS  
 1 - FIRE ALARM CONTACT BY OTHERS  
 1 - OPTIONAL JUNCTION BOX, JB7 BY VON DUPRIN  
 TYPE  
 2 DOOR SECURITY INTERLOCK

OPERATION:  
 DOOR 1 & 2 SHOWN LOCKED & CLOSED.  
 UNLOCKING DOOR 1 PREVENTS DOOR 2 FROM UNLOCKING UNTIL DOOR 1 IS CLOSED.  
 UNLOCKING DOOR 2 PREVENTS DOOR 1 FROM UNLOCKING UNTIL DOOR 2 IS CLOSED  
 FIRE ALARM UNLOCKS BOTH DOORS.  
 DATE DRAWN: 03-26-13  
 REVISION DATE: 04-16-14  
 DRAWN BY: B DOVE  
 APPROVED BY: MH

**ALLEGION™**

TITLE:  
 2 DOORS PS902-4RL(SD)-fa X 2 M400 PLUS MAGLOCKS X 2 CARD READERS

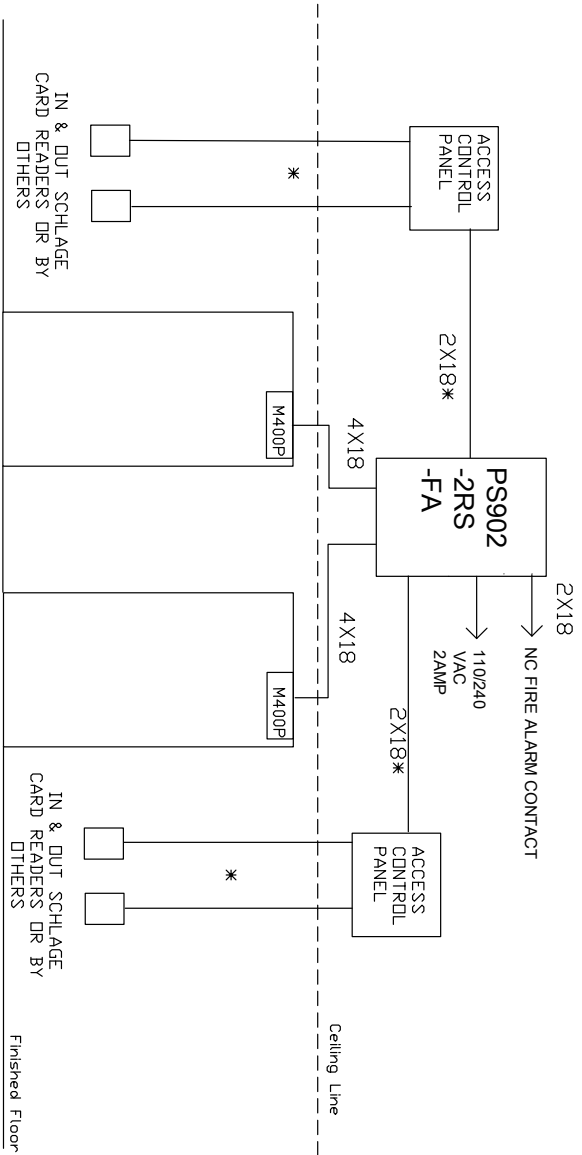
DWG NO: 104967  
 DRAWING TYPE: RISER  
 DRAWN/DESIGNED BY: B DOVE  
 REV: D



THIS DIAGRAM REPRESENTS A GENERIC CONFIGURATION. CUSTOM WIRING DIAGRAMS CAN BE ACQUIRED BY CONTACTING TECHNICAL SUPPORT.

<p>NOTES:</p> <ol style="list-style-type: none"> <li>1) ALL LOW VOLTAGE WIRING TO BE STANDARD, MULTI-CONDUCTOR COLOR CODED WITHOUT SPLICES.</li> <li>2) WIRING TO CONFORM TO APPLICABLE NATIONAL, STATE AND LOCAL ELECTRICAL CODES.</li> <li>3) REFER TO SPECIFIC PRODUCT INSTALLATION INSTRUCTIONS FOR SPECIFIC WIRING REQUIREMENTS.</li> <li>4) THIS DRAWING IS FOR GRAPHICAL REPRESENTATION OF PRODUCTS DETAILED IN THE HARDWARE SET ONLY.</li> <li>5) ADDITIONAL WIRING WILL BE REQUIRED FROM ACP THAT IS NOT SHOWN HERE. CONSULT PROVIDER FOR DETAILS.</li> </ol>	<p>HARDWARE USED:</p> <ol style="list-style-type: none"> <li>1 - PS902-4RL-FA</li> <li>2 - M400 PLUS MAGLOCK</li> <li>4 - CARDREADER 7 ACCESS CONTROL PANEL BY OTHERS</li> <li>1 - FIRE ALARM CONTACT BY OTHERS</li> <li>1 - OPTIONAL JUNCTION BOX, JB7 BY VON DUPRIN</li> </ol> <p>TYPE 2 DOOR SECURITY INTERLOCK</p>	<p>OPERATION: DOOR 1 &amp; 2 SHOWN LOCKED &amp; CLOSED. UNLOCKING DOOR 1 PREVENTS DOOR 2 FROM UNLOCKING UNTIL DOOR 1 IS CLOSED. UNLOCKING DOOR 2 PREVENTS DOOR 1 FROM UNLOCKING UNTIL DOOR 2 IS CLOSED FIRE ALARM UNLOCKS BOTH DOORS.</p> <p>DATE DRAWN: 03-26-13 REVISION DATE: 04-16-14 DRAWN BY: B DOVE APPROVED BY: MH</p>	<p><b>ALLEGION™</b></p> <p>TITLE: 2 DOORS PS902-4RL(SI)-fa X 2 M400 PLUS MAGLOCKS X 2 CARD READERS</p> <p>DRAWING TYPE: WIRING</p> <p>DWG NO: 104967 DRAWN/RECHECKED BY: B DOVE</p> <p>REV: <b>D</b></p>
--	--	--	--

THIS DIAGRAM REPRESENTS A GENERIC CONFIGURATION. CUSTOM WIRING DIAGRAMS CAN BE ACQUIRED BY CONTACTING TECHNICAL SUPPORT.



VERIFY OPERATION  
ACCEPTABLE TO LOCAL AHJ.

- NOTES:
- 1) ALL LOW VOLTAGE WIRING TO BE STANDARD, MULTI-CONDUCTOR COLOR CODED WITHOUT SPLICES.
  - 2) WIRING TO CONFORM TO APPLICABLE NATIONAL, STATE AND LOCAL ELECTRICAL CODES.
  - 3) REFER TO SPECIFIC PRODUCT INSTALLATION INSTRUCTIONS FOR SPECIFIC WIRING REQUIREMENTS.
  - 4) THIS DRAWING IS FOR GRAPHICAL REPRESENTATION OF PRODUCT'S DETAILED IN THE HARDWARE SET ONLY.
  - 5) \* CONDUCTOR COUNT TO BE DETERMINED BY ACCESS CONTROL PANEL PROVIDER.

Hardware Used	2 M400P MAGNETIC LOCKS PS902-2RS-FA POWER SUPPLY 4 SCHLAGE CARD READERS DR BY OTHERS AND ACP FIRE ALARM CONTACT BY OTHERS
Type	SECURITY INTERLOCK 2 DOOR

OPERATION:  
SECURITY INTERLOCK - BOTH DOORS NORMALLY LOCKED. PRESENTING A VALID CREDENTIAL TO THE CARD READERS WILL RELEASE DOOR IF OTHER DOOR IS CLOSED AND LOCKED.  
OPPOSITE DOOR REMAINS LOCKED AS LONG AS OTHER DOOR REMAINS UNLOCKED.  
IN THIS EXAMPLE ALL WIRING CONNECTIONS ARE MADE IN PS902 ENCLOSURE.  
FIRE ALARM TO RELEASE BOTH M400P MAG LOCKS.

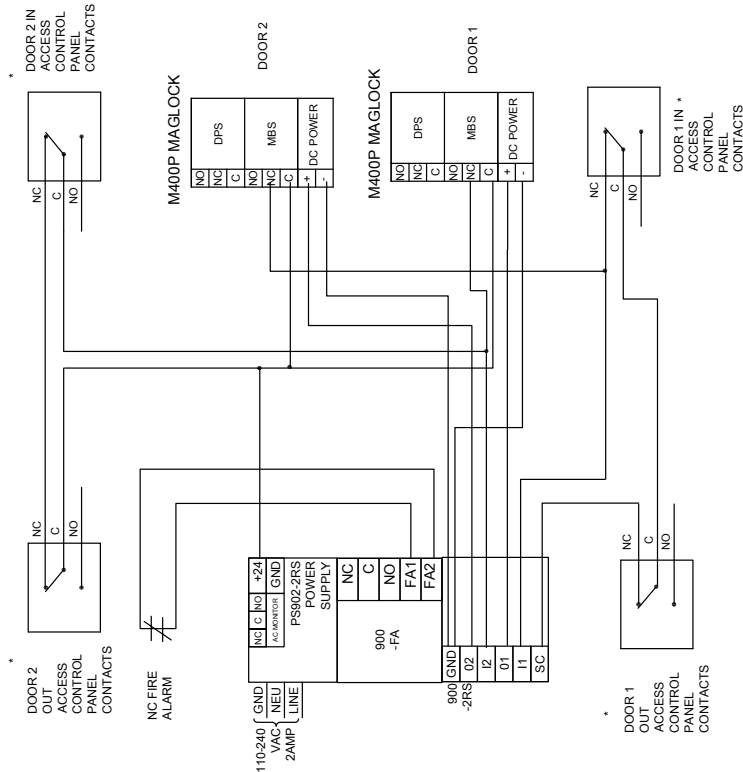
Date Drawn	3-13-13	Revision	07-03-17
------------	---------	----------	----------



TITLE:  
2 Door PS902-2RS-FA x 2 M400 Plus  
Maglocks x 4 Card Readers

DRAWING TYPE	DWG NO.	REV
RISER	109438	C
	DRAWN/CHECKED BY	
	B DOVE/B DVE	

THIS DIAGRAM REPRESENTS A GENERIC CONFIGURATION. CUSTOM WIRING DIAGRAMS CAN BE ACQUIRED BY CONTACTING TECHNICAL SUPPORT.



VERIFY OPERATION ACCEPTABLE TO LOCAL AHJ.

**NOTES:**  
 1) ALL LOW VOLTAGE WIRING TO BE STANDARD, MULTI-CONDUCTOR COLOR CODED WITHOUT SPLICES.  
 2) WIRING TO CONFORM TO APPLICABLE NATIONAL, STATE AND LOCAL ELECTRICAL CODES.  
 3) REFER TO SPECIFIC PRODUCT INSTALLATION INSTRUCTIONS FOR SPECIFIC WIRING REQUIREMENTS.  
 4) THIS DRAWING IS FOR GRAPHICAL REPRESENTATION OF PRODUCTS DETAILED IN THE HARDWARE SET ONLY.  
 5) \* CONDUCTOR COUNT TO BE DETERMINED BY ACCESS CONTROL PANEL PROVIDER.

Hardware Used:  
 2 M400P MAGNETIC LOCKS  
 PS902-2RS-FA POWER SUPPLY  
 4 SCHLAGE CARD READERS OR BY OTHERS WITH ACP  
 FIRE ALARM CONTACT BY OTHERS  
 Type: SECURITY INTERLOCK  
 2 DOOR

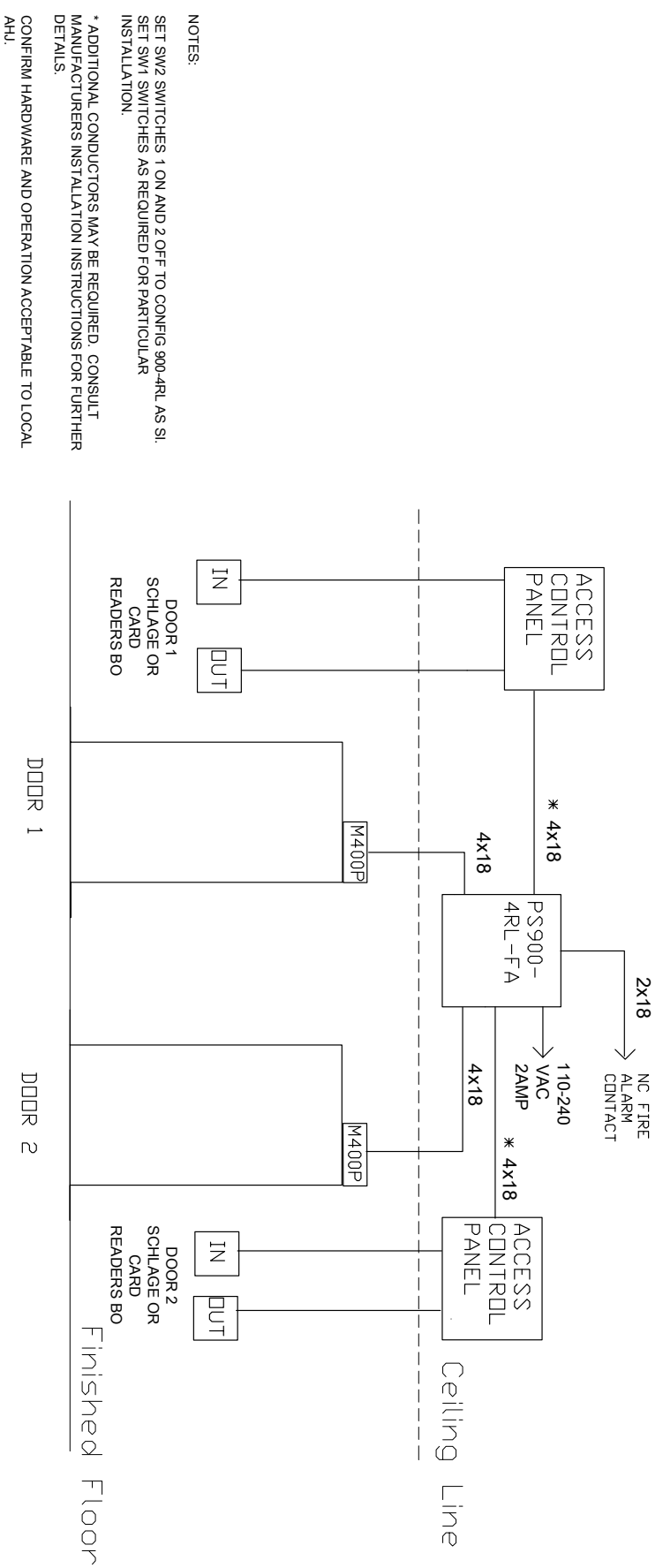
OPERATION:  
 SECURITY INTERLOCK - BOTH DOORS NORMALLY LOCKED. PRESENTING A VALID CREDENTIAL TO THE CARD READERS WILL RELEASE DOOR IF OTHER DOOR IS CLOSED AND LOCKED.  
 OPPOSITE DOOR REMAINS LOCKED AS LONG AS OTHER DOOR REMAINS UNLOCKED.  
 IN THIS EXAMPLE ALL WIRING CONNECTIONS ARE MADE IN PS902 ENCLOSURE  
 FIRE ALARM TO RELEASE BOTH M400 MAG LOCKS.



TITLE: 2 Door PS902-2RS-FA x 2 M400 Plus Maglocks x 4 Card Readers  
 DRAWING TYPE: WIRING DIAGRAM  
 DWG NO: 109438  
 DRAWN/CHECKED BY: B DOVE/B DYE  
 REV: C

Date Drawn: 3-13-13  
 Revision Date: 07-03-17

THIS DIAGRAM REPRESENTS A GENERIC CONFIGURATION. CUSTOM WIRING DIAGRAMS CAN BE ACQUIRED BY CONTACTING TECHNICAL SUPPORT.



NOTES:  
 SET SW2 SWITCHES 1 ON AND 2 OFF TO CONFIG 900-4RL AS SI.  
 SET SW1 SWITCHES AS REQUIRED FOR PARTICULAR INSTALLATION.

\* ADDITIONAL CONDUCTORS MAY BE REQUIRED. CONSULT MANUFACTURERS INSTALLATION INSTRUCTIONS FOR FURTHER DETAILS.  
 CONFIRM HARDWARE AND OPERATION ACCEPTABLE TO LOCAL AHJ.

NOTES:  
 1) ALL LDM VOLTAGE WIRING TO BE STANDARD, MULTI-CONDUCTOR COLOR CODED WITHOUT SPLICES.  
 2) WIRING TO CONFORM TO APPLICABLE NATIONAL, STATE AND LOCAL ELECTRICAL CODES.  
 3) REFER TO SPECIFIC PRODUCT INSTALLATION INSTRUCTIONS FOR SPECIFIC WIRING REQUIREMENTS.  
 4) THIS DRAWING IS FOR GRAPHICAL REPRESENTATION OF PRODUCTS DETAILED IN THE HARDWARE SET ONLY.  
 5) \* CONDUCTOR COUNT TO BE DETERMINED BY ACCESS CONTROL PANEL PROVIDER.

HARDWARE USED	2 M400P MAG LOCKS
	4 SCHLAGE OR CARD READER BY OTHERS WITH ACP
	1 PS900-4RL-FA
	FIRE ALARM CONTACT BY OTHERS
TYPE	2 DOOR SECURITY INTERLOCK WITH ACCESS CONTROL

OPERATION:	BOTH DOORS NORMALLY LOCKED. CARD READER TO OPEN DOOR ONLY IF OTHER DOOR IS CLOSED AND LOCKED.
	NOTE: OPPOSITE DOOR WILL REMAIN LOCKED AS LONG AS OTHER DOOR IS UNLOCKED.
	FIRE ALARM TO RELEASE BOTH M400 MAG LOCKS.
	IN THIS EXAMPLE ALL WIRING CONNECTIONS ARE MADE IN THE PS900 ENCLOSURE.
DATE DRAWN	3-21-13
REVISION	DATE 07-03-17

**ALLEGION™**

TITLE: PS900-4RL-FA SECURITY INTERLOCK WITH M400P MAG LOCKS

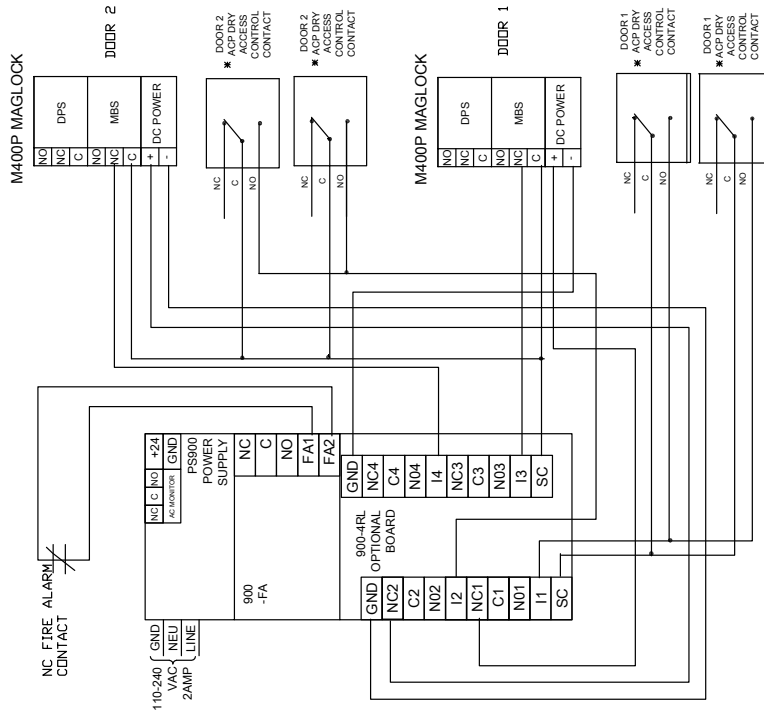
DRAWING TYPE: RISER DIAGRAM

DWG NO: 109442

DESIGNED BY: B DOVE/B DVE

REV: C

THIS DIAGRAM REPRESENTS A GENERIC CONFIGURATION. CUSTOM WIRING DIAGRAMS CAN BE ACQUIRED BY CONTACTING TECHNICAL SUPPORT.



NOTES:  
 1) ALL LOW VOLTAGE WIRING TO BE STANDARD, MULTI-CONDUCTOR COLOR CODED WITHOUT SPLICES.  
 2) WIRING TO CONFORM TO APPLICABLE NATIONAL, STATE AND LOCAL ELECTRICAL CODES.  
 3) REFER TO SPECIFIC PRODUCT INSTALLATION INSTRUCTIONS FOR SPECIFIC WIRING REQUIREMENTS.  
 4) THIS DRAWING IS FOR GRAPHICAL REPRESENTATION OF PRODUCTS DETAILED IN THE HARDWARE SET ONLY.  
 5) \* CONDUCTOR COUNT TO BE DETERMINED BY ACCESS CONTROL PANEL PROVIDER.

NOTES:  
 SET SW2 SWITCHES 1 ON AND 2 OFF TO CONFIG 900-4RL AS SI.  
 SET SW1 SWITCHES AS REQUIRED FOR PARTICULAR INSTALLATION.

\* ADDITIONAL CONDUCTORS MAY BE REQUIRED. CONSULT MANUFACTURERS INSTALLATION INSTRUCTIONS FOR FURTHER DETAILS.

CONFIRM HARDWARE AND OPERATION ACCEPTABLE TO LOCAL AHJ.

OPERATION:  
 BOTH DOORS NORMALLY LOCKED. CARD READER TO OPEN DOOR ONLY IF OTHER DOOR IS CLOSED AND LOCKED.  
 NOTE: OPPOSITE DOOR WILL REMAIN LOCKED AS LONG AS OTHER DOOR IS UNLOCKED.  
 FIRE ALARM TO RELEASE BOTH M400P MAG LOCKS.  
 IN THIS EXAMPLE ALL WIRING CONNECTIONS ARE MADE IN THE PS900 ENCLOSURE.  
 DATE DRAWN: 3-21-13 REVISION DATE: 07-03-17

HARDWARE USED:  
 2 M400P MAG LOCKS  
 4 SCHLAGE OR CARD READER BY OTHERS WITH ACP  
 1 PS900-4RL-FA  
 FIRE ALARM CONTACT BY OTHERS  
 TYPE 2 DOOR SECURITY INTERLOCK WITH ACCESS CONTROL

DATE: DRAWN: 3-21-13 REVISION DATE: 07-03-17

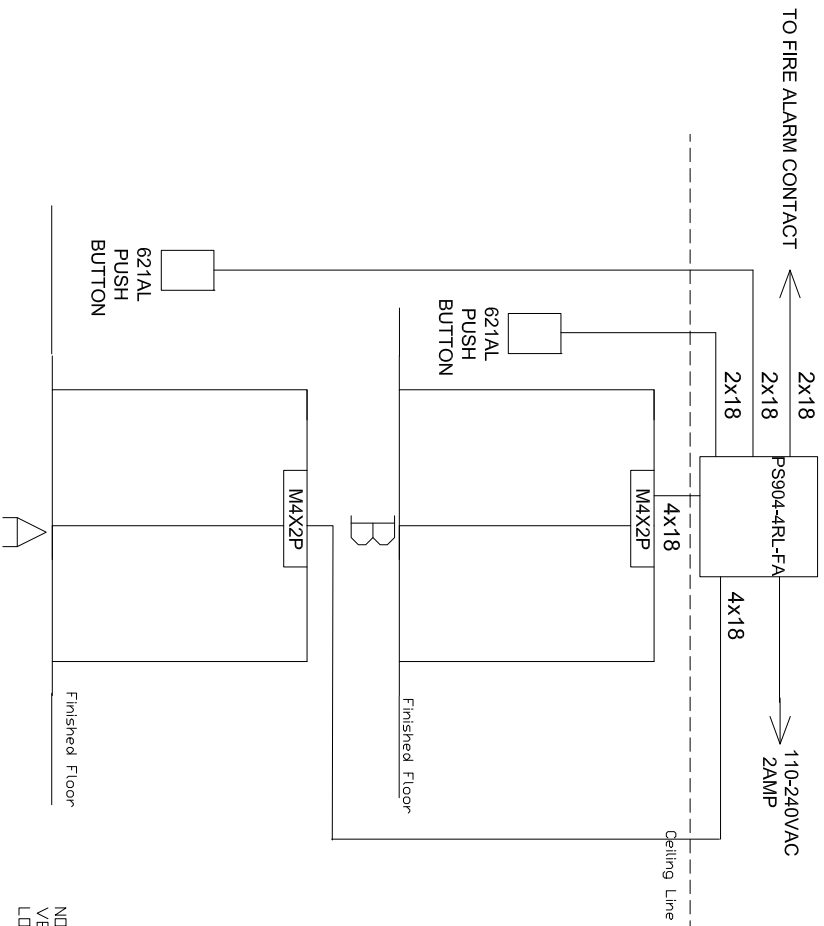
**ALLEGION™**

TITLE: PS900-4RL-FA SECURITY INTERLOCK WITH M400P MAG LOCKS

DWG NO: 109442  
 DRAWN BY: B DOVE/B DYE

REV: C

THIS DIAGRAM REPRESENTS A GENERIC CONFIGURATION. CUSTOM WIRING DIAGRAMS CAN BE ACQUIRED BY CONTACTING TECHNICAL SUPPORT.



NOTE:  
VERIFY HARDWARE AND OPERATION ACCEPTABLE TO  
LOCAL AHJ.

- NOTES:
- 1) ALL LOW VOLTAGE WIRING TO BE STANDARD, MULTI-CONDUCTOR COLOR CODED WITHOUT SPLICES.
  - 2) WIRING TO CONFORM TO APPLICABLE NATIONAL, STATE AND LOCAL ELECTRICAL CODES.
  - 3) REFER TO SPECIFIC PRODUCT INSTALLATION INSTRUCTIONS FOR SPECIFIC WIRING REQUIREMENTS.
  - 4) THIS DRAWING IS FOR GRAPHICAL REPRESENTATION OF PRODUCTS DETAILED IN THE HARDWARE SET ONLY.
  - 5) ADDITIONAL WIRING WILL BE REQUIRED FROM ACP THAT IS NOT SHOWN HERE. CONSULT PROVIDER FOR DETAILS.

- HARDWARE USED:
- 2 MAXX2P MAG LOCKS
  - 2 621AL PUSH BUTTONS
- 1 PS904-4RL-FA POWER SUPPLY
- FIRE ALARM CONTACT SUPPLIED BY OTHERS
- TYPE
- 2 DOOR SAFETY INTERLOCK WITH OVERRIDE BUTTONS

DOORS ARE INTERLOCKED WITH EACH OTHER. BOTH DOORS ARE UNLOCKED UNTIL ONE DOOR IS OPENED THEN THE OTHER PAIR OF DOORS WILL BE LOCKED. EITHER PUSHBUTTON OR FIRE ALARM CONTACT WILL DEACTIVATE BOTH MAGLOCKS.

IN THIS EXAMPLE ALL CONNECTIONS ARE MADE IN THE PS904 ENCLOSURE.

DATE DRAWN: 3-21-13 REVISION DATE: 3-21-13

copyright 2013



TITLE:  
PS904-4RL-FA, MAXX2P  
SAFETY INTERLOCK

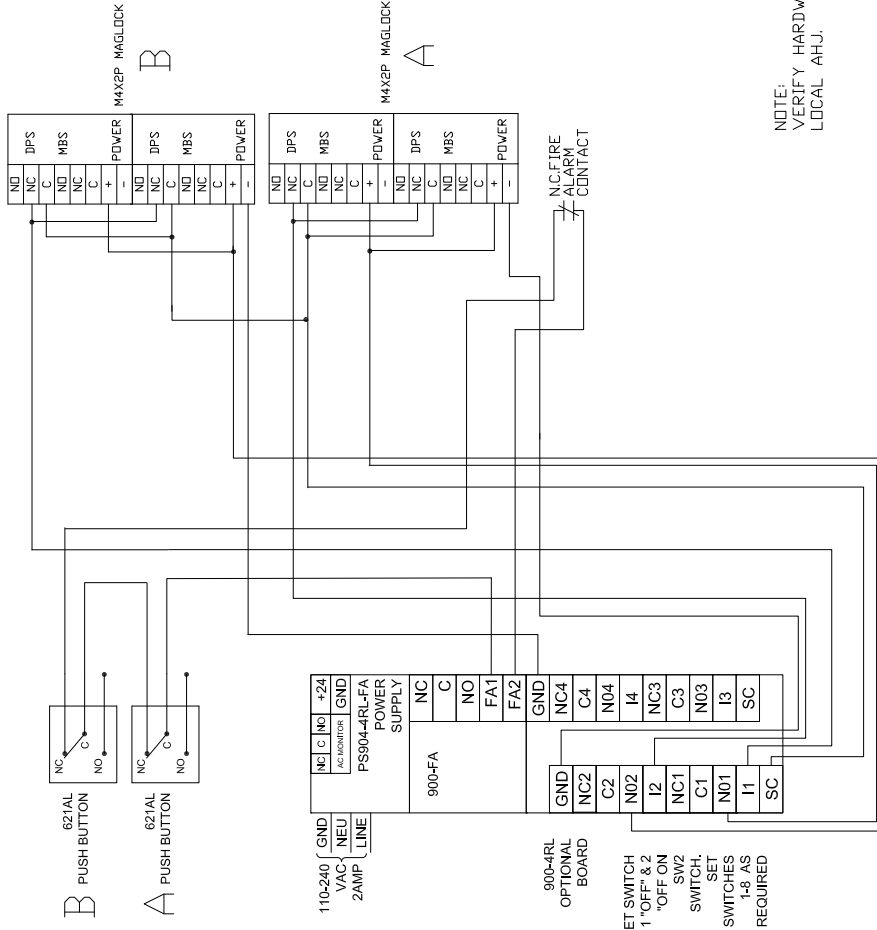
DRAWING TYPE:  
RISER DIAGRAM

DWG NO.: 109443  
DRAWN/CHECKED BY: B DOVE

REV:  
A



THIS DIAGRAM REPRESENTS A GENERIC CONFIGURATION. CUSTOM WIRING DIAGRAMS CAN BE ACQUIRED BY CONTACTING TECHNICAL SUPPORT.



NOTE:  
VERIFY HARDWARE AND OPERATION ACCEPTABLE TO  
LOCAL AHJ.

NOTES:  
1) ALL LOW VOLTAGE WIRING TO BE STANDARD, MULTI-CONDUCTOR COLOR CODED WITHOUT SPLICES.  
2) WIRING TO CONFORM TO APPLICABLE NATIONAL, STATE AND LOCAL ELECTRICAL CODES.  
3) REFER TO SPECIFIC PRODUCT INSTALLATION INSTRUCTIONS FOR SPECIFIC WIRING REQUIREMENTS.  
4) THIS DRAWING IS FOR GRAPHICAL REPRESENTATION OF PRODUCTS DETAILED IN THE HARDWARE SET ONLY.  
5) ADDITIONAL WIRING WILL BE REQUIRED FROM ACP THAT IS NOT SHOWN HERE. CONSULT PROVIDER FOR DETAILS.

HARDWARE USED:  
2 M4X2P MAG LOCKS  
2 621AL PUSH BUTTONS  
1 PS904-4RL-FA POWER SUPPLY  
FIRE ALARM CONTACT SUPPLIED BY OTHERS  
2 DOOR SAFETY INTERLOCK WITH OVERRIDE BUTTONS

DOORS ARE INTERLOCKED WITH EACH OTHER. BOTH DOORS ARE UNLOCKED UNTIL ONE DOOR IS OPENED THEN THE OTHER PAIR OF DOORS WILL BE LOCKED.  
EITHER PUSHBUTTON OR FIRE ALARM CONTACT WILL DEACTIVATE BOTH MAGLOCKS.  
IN THIS EXAMPLE ALL CONNECTIONS ARE MADE IN THE PS904 ENCLOSURE.  
DATE DRAWN: 3-21-13 REVISION DATE: 3-21-13  
copyright 2013

**ALLEGION™**

TITLE: PS904-4RL-FA, M4X2P SAFETY INTERLOCK

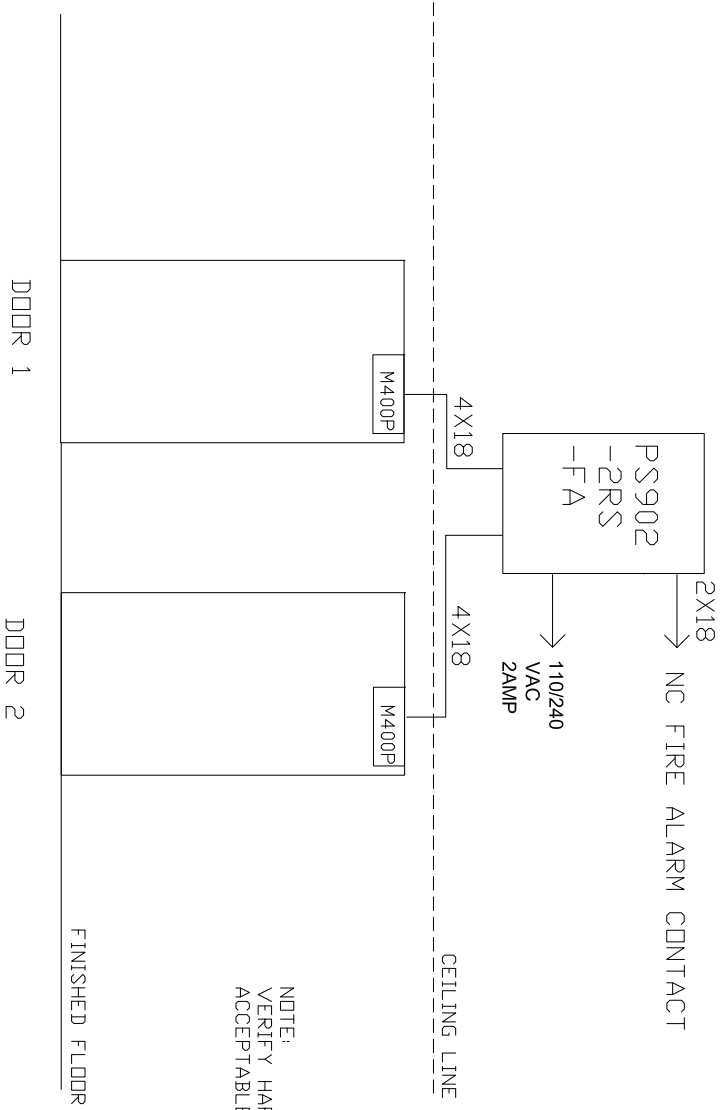
DRAWING TYPE: WIRING DIAGRAM

DESIGN NO: 109443

REVISED BY: B DDVE

REV: A

THIS DIAGRAM REPRESENTS A GENERIC CONFIGURATION. CUSTOM WIRING DIAGRAMS CAN BE ACQUIRED BY CONTACTING TECHNICAL SUPPORT.



NOTE:  
VERIFY HARDWARE AND OPERATION  
ACCEPTABLE TO LOCAL AHJ.

NOTES:  
1) ALL LOW VOLTAGE WIRING TO BE STANDARD MULTI-CONDUCTOR CABLE CODED WITHOUT SPLICES.  
2) WIRING TO CONFORM TO APPLICABLE NATIONAL, STATE AND LOCAL ELECTRICAL CODES.  
3) REFER TO SPECIFIC PRODUCT INSTALLATION INSTRUCTIONS FOR SPECIFIC WIRING REQUIREMENTS.  
4) THIS DRAWING IS FOR GRAPHICAL REPRESENTATION OF PRODUCTS DETAILED IN THE HARDWARE SET ONLY.  
5) ADDITIONAL WIRING WILL BE REQUIRED FROM APP THAT IS NOT SHOWN HERE. CONSULT PROVIDER FOR DETAILS.

HARDWARE USED	
2	M400P MAGNETIC LOCKS
1	PS902-2RS-FA POWER SUPPLY
FIRE ALARM CONTACT SUPPLIED BY OTHERS	
TYPE	
2	DOOR SAFETY INTERLOCK

OPERATION	
SAFETY INTERLOCK - WHEN ONE DOOR OPENS OTHER DOOR LOCKS. WHEN BOTH DOORS CLOSED BOTH ARE UNLOCKED IN THIS EXAMPLE ALL WIRING CONNECTIONS ARE MADE IN PS902 ENCLOSURE.	
FIRE ALARM TO RELEASE BOTH M400P MAG LOCKS	
DATE DRAWN	REVISION DATE
3-14-13	3-14-13
copyright 2013	

TITLE: PS902-2RS-FA x 2 M400+ MAG LOCKS X 4 CARD READERS

**ALLEGION™**

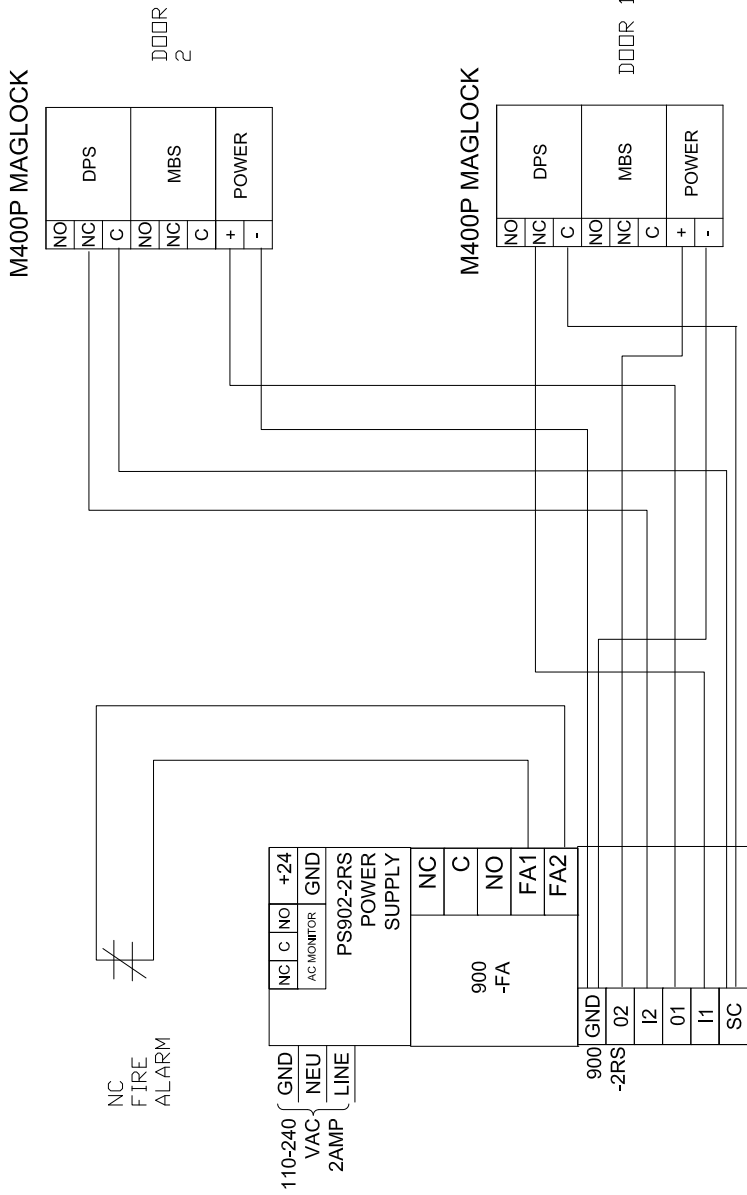
DRAWING TYPE: RISER DIAGRAM

DWG NO: 109437

DRAWN/CHECKED BY: B DIVE

REV: A

THIS DIAGRAM REPRESENTS A GENERIC CONFIGURATION. CUSTOM WIRING DIAGRAMS CAN BE ACQUIRED BY CONTACTING TECHNICAL SUPPORT.



NOTE:  
VERIFY HARDWARE AND OPERATION ACCEPTABLE TO LOCAL AHJ.

- NOTES:
- 1) ALL LOW VOLTAGE WIRING TO BE STANDARD. MULTI-CONDUCTOR COLOR CODED WITHOUT SPLICES.
  - 2) WIRING TO CONFORM TO APPLICABLE NATIONAL, STATE AND LOCAL ELECTRICAL CODES.
  - 3) REFER TO SPECIFIC PRODUCT INSTALLATION INSTRUCTIONS FOR SPECIFIC WIRING REQUIREMENTS.
  - 4) THIS DRAWING IS FOR GRAPHICAL REPRESENTATION OF PRODUCTS DETAILED IN THE HARDWARE SET ONLY.
  - 5) ADDITIONAL WIRING WILL BE REQUIRED FROM ACP THAT IS NOT SHOWN HERE. CONSULT PROVIDER FOR DETAILS.

HARDWARE USED:

- 2 M400P MAGNETIC LOCKS
  - 1 PS902-2RS-FA POWER SUPPLY
  - FIRE ALARM CONTACT SUPPLIED BY OTHERS
- TYPE
- 2 DOOR SAFETY INTERLOCK

OPERATION:

SAFETY INTERLOCK - WHEN ONE DOOR OPENS OTHER DOOR LOCKS. WHEN BOTH DOORS CLOSED BOTH ARE UNLOCKED IN THIS EXAMPLE ALL WIRING CONNECTIONS ARE MADE IN PS902 ENCLOSURE.  
FIRE ALARM TO RELEASE BOTH M400P MAG LOCKS

DATE DRAWN: 3-14-13	REVISION DATE: 3-14-13
copyright 2013	



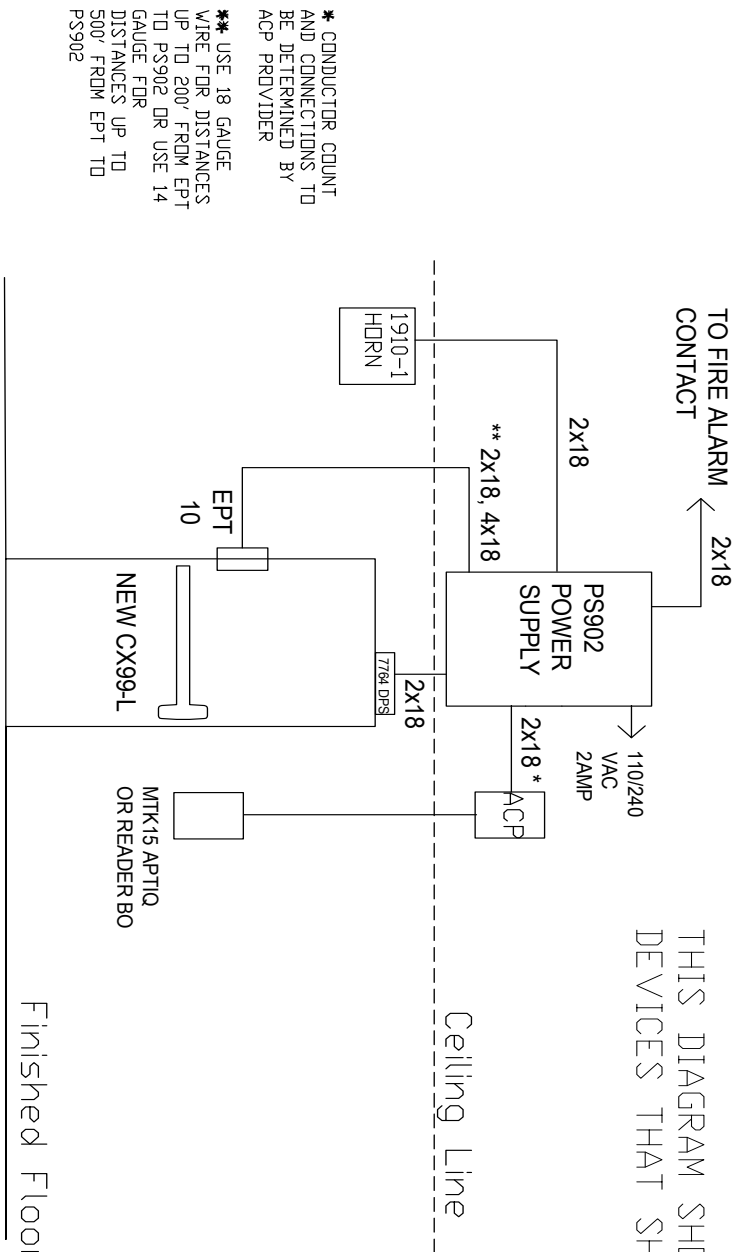
TITLE: PS902-2RS-FA X 2 M400+ MAG LOCKS X 4 CARD READERS

DWG NO: 109437  
DRAWING TYPE: WIRING DIAGRAM  
DRAWN/REVIEWED BY: B DOVE

REV: A

THIS DIAGRAM REPRESENTS A GENERIC CONFIGURATION. CUSTOM WIRING DIAGRAMS CAN BE ACQUIRED BY CONTACTING TECHNICAL SUPPORT.

THIS DIAGRAM SHOWS WIRING FOR CX DEVICES THAT SHIPPED AFTER 08-24-15



\* CONDUCTOR COUNT AND CONNECTIONS TO BE DETERMINED BY ACP PROVIDER

\*\* USE 18 GAUGE WIRE FOR DISTANCES UP TO 200' FROM EPT TO PS902 OR USE 14 GAUGE FOR DISTANCES UP TO 500' FROM EPT TO PS902

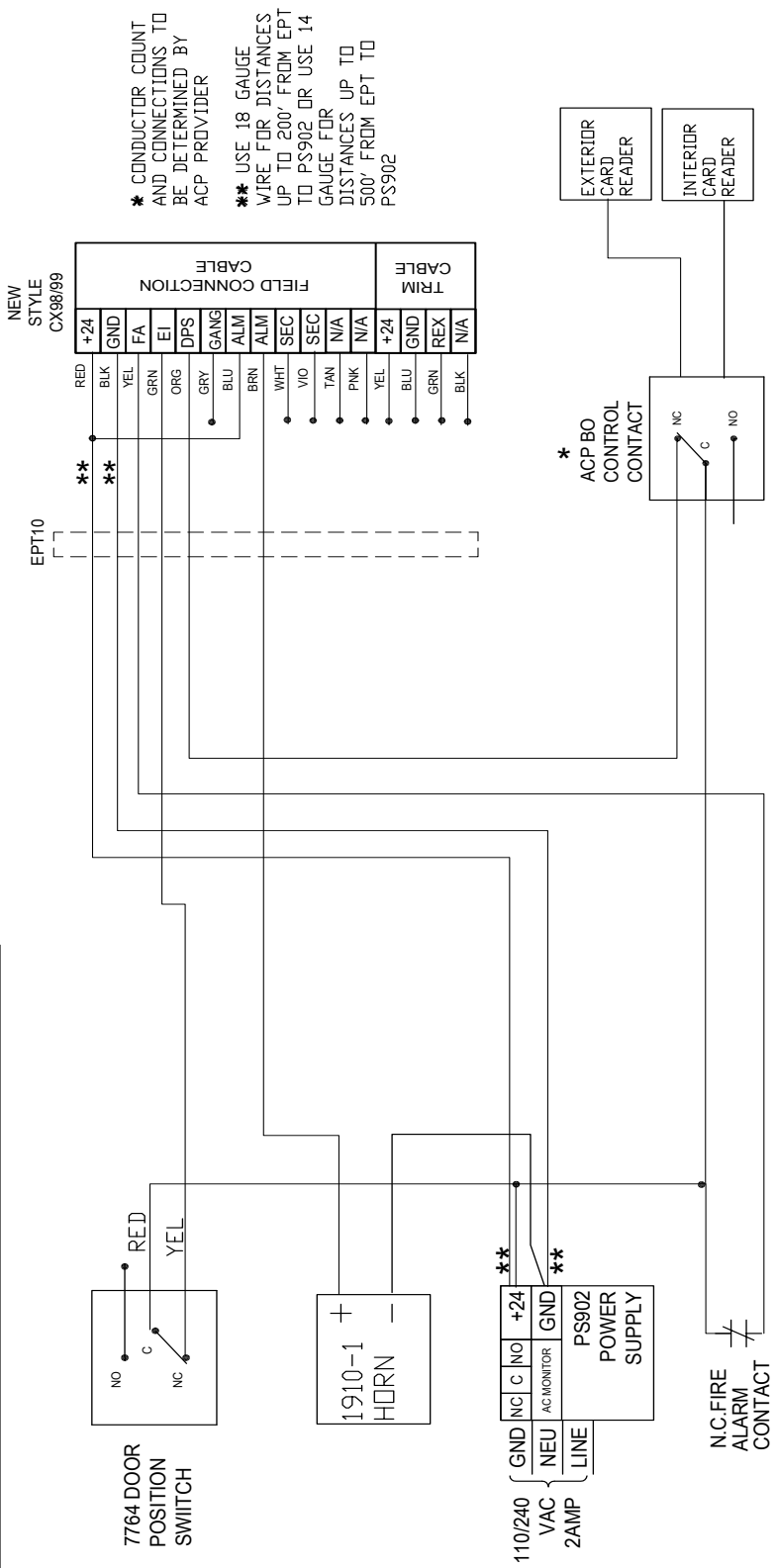
- NOTES:
- 1) ALL LDV VOLTAGE WIRING TO BE STANDARD, MULTI-CONDUCTOR COLOR CODED WITHOUT SPLICES.
  - 2) WIRING TO CONFORM TO APPLICABLE NATIONAL, STATE AND LOCAL ELECTRICAL CODES.
  - 3) REFER TO SPECIFIC PRODUCT INSTALLATION INSTRUCTIONS FOR SPECIFIC WIRING REQUIREMENTS.
  - 4) THIS DRAWING IS FOR GRAPHICAL REPRESENTATION OF PRODUCTS DETAILED IN THE HARDWARE SET ONLY.
  - 5) \* CONDUCTOR COUNT TO BE DETERMINED BY ACCESS CONTROL PANEL PROVIDER.

HARDWARE USED:	
1	NEW CX 98/99-L RIM DEVICE
1	EPT10
1	7764 DPS
1	1910-1 HDRN
1	PS902
1	MTK15 READER BY ACP BD
1	FIRE ALARM CONTACT
TYPE	DELAYED EGRESS SINGLE DOOR

OPERATION:	
CHECKIT TO PROVIDE DELAY EGRESS. WHEN CX IS IN ALARM AUDIBLE WILL SOUND IN CX DEVICE AND EXTERNAL 1910-1 HORN.	
FIRE ALARM TO RELEASE DOOR FOR IMMEDIATE EGRESS.	
MTK15 READER TO RELEASE CX THROUGH ACP CONTROL CONTACT FOR AUTHORIZED PASSAGE. MTK15 OR KEYSWITCH IN CX DEVICE TO RESET CX FROM ALARM.	
IN THIS EXAMPLE ALL WIRING CONNECTIONS ARE MADE IN PS902 ENCLOSURE.	
DATE DRAWN	07-11-18
REVISION	DATE
	07-11-18

<b>ALLEGION™</b>	
TITLE: CX SINGLE DOOR CX WITH PS902	
DRAWING TYPE:	RISER DIAGRAM
DWG NO.:	112289
DRAWN/CHECKED BY:	B DOLVE
REV:	A

THIS DIAGRAM REPRESENTS A GENERIC CONFIGURATION. CUSTOM WIRING DIAGRAMS CAN BE ACQUIRED BY CONTACTING TECHNICAL SUPPORT.

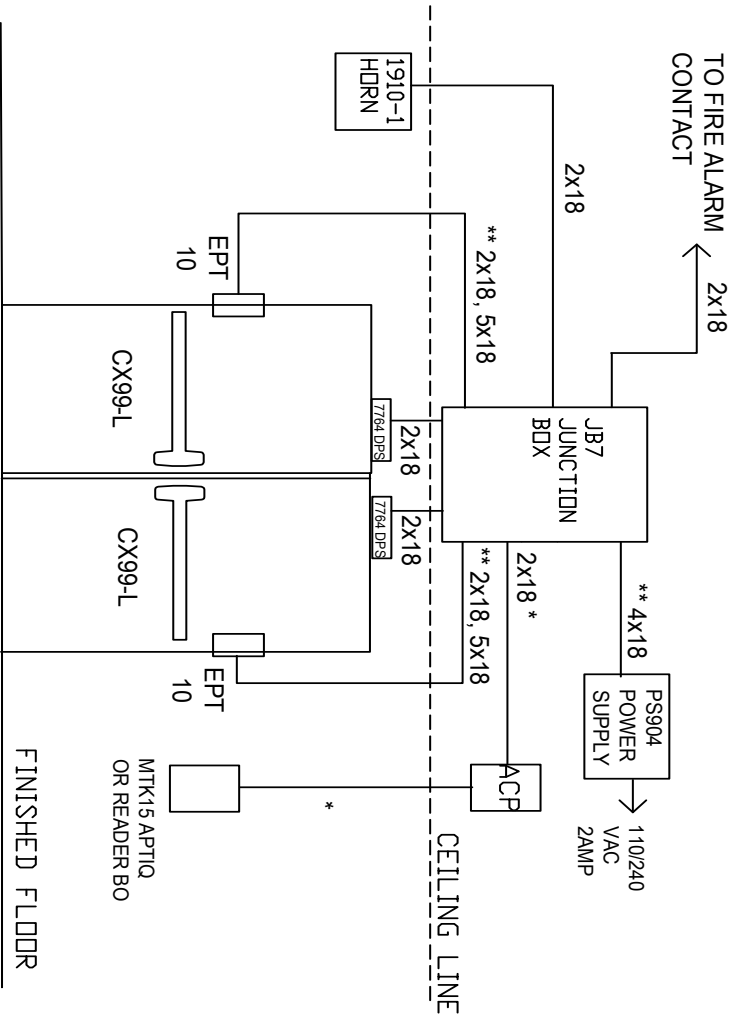


THIS DIAGRAM SHOWS WIRING FOR CX DEVICES THAT SHIPPED AFTER 08-24-15

<p><b>NOTES:</b></p> <ol style="list-style-type: none"> <li>LOW VOLTAGE WIRING TO BE STANDARD. MULTI-CONDUCTOR CABLES TO BE WIRING WITHOUT SPLICES.</li> <li>WIRING TO CONFORM TO APPLICABLE NATIONAL, STATE AND LOCAL ELECTRICAL CODES.</li> <li>REFER TO SPECIFIC PRODUCT INSTALLATION INSTRUCTIONS FOR SPECIFIC WIRING REQUIREMENTS.</li> <li>THIS DRAWING IS FOR GRAPHICAL REPRESENTATION OF PRODUCTS DETAILED IN THE HARDWARE SET ONLY.</li> <li>* CONDUCTOR COUNT TO BE DETERMINED BY ACCESS CONTROL PANEL PROVIDER.</li> </ol>	<p><b>OPERATION:</b></p> <p>CHEXIT TO PROVIDE DELAY EGRESS. WHEN CX IS IN ALARM/AUDIBLE WILL SOUND IN CX DEVICE AND EXTERNAL 1910-1 HORN.</p> <p>FIRE ALARM TO RELEASE DOOR FOR IMMEDIATE EGRESS.</p> <p>CARD READERS TO RELEASE CX THROUGH ACP CONTROL CONTACT FOR AUTHORIZED PASSAGE. CARD READER OR KEYSWITCH IN CX DEVICE TO RESET CX FROM ALARM.</p> <p>IN THIS EXAMPLE ALL WIRING CONNECTIONS ARE MADE IN PS914 ENCLOSURE</p>	<p><b>DATE DRAWN:</b> 07-11-18</p> <p><b>REVISION DATE:</b> 07-11-18</p>	<p><b>REV:</b> A</p>
	<p><b>HARDWARE USED:</b></p> <ul style="list-style-type: none"> <li>1 NEW CX 98/99-L RIM DEVICE</li> <li>1 EPT10</li> <li>1 7764 DPS</li> <li>1 1910-1 HORN</li> <li>1 PS902</li> <li>2 CARD READER BY ACP BO</li> <li>1 FIRE ALARM CONTACT</li> </ul>	<p><b>DATE DRAWN:</b> 07-11-18</p> <p><b>REVISION DATE:</b> 07-11-18</p>	<p><b>DRIVING TYPE:</b> WIRING DIAGRAM</p> <p><b>DWG NO.:</b> 112289</p> <p><b>DRAWN BY:</b> B DOVE/</p>
<p><b>ALLEGION™</b></p> <p><b>TITLE:</b> CX SINGLE DOOR WITH PS902 AND INT/EXT CARD READERS</p>			

THIS DIAGRAM REPRESENTS A GENERIC CONFIGURATION. CUSTOM WIRING DIAGRAMS CAN BE ACQUIRED BY CONTACTING TECHNICAL SUPPORT.

THIS DIAGRAM SHOWS WIRING FOR CX DEVICES THAT SHIPPED AFTER 08-24-15



\* CONDUCTOR COUNT AND CONNECTIONS TO BE DETERMINED BY ACP PROVIDER

\*\* USE 18 GAUGE WIRE FOR DISTANCES UP TO 200' FROM EPT TO PS902 OR USE 14 GAUGE FOR DISTANCES UP TO 500' FROM EPT TO PS902

- NOTES:
- 1) ALL LOW VOLTAGE WIRING TO BE STANDARD, MULTI-CONDUCTOR COLOR CODED WITHOUT SPLICES.
  - 2) WIRING TO CONFORM TO APPLICABLE NATIONAL, STATE AND LOCAL ELECTRICAL CODES.
  - 3) REFER TO SPECIFIC PRODUCT INSTALLATION INSTRUCTIONS FOR SPECIFIC WIRING REQUIREMENTS.
  - 4) THIS DRAWING IS FOR GRAPHICAL REPRESENTATION OF PRODUCTS DETAILED IN THE HARDWARE SET ONLY.
  - 5) \* CONDUCTOR COUNT TO BE DETERMINED BY ACCESS CONTROL PANEL PROVIDER.

<b>HARDWARE USED:</b>	2 NEW CX99-L RIM DEVICE
	2 EPT10
	2 7764 DPS
	1 JB7 JUNCTION BOX
	1 MTK15 APTIQ
	1 1910-1 HORN
	1 PS904
	1 MTK15 READER BY ACP BO
	1 FIRE ALARM CONTACT
<b>TYPE</b>	DELAYED EGRESS
	DOUBLE DOOR

<b>OPERATION:</b>	CHECKS TO PROVIDE DELAY EGRESS. WHEN CX IS IN ALARM AUDIBLE WILL SOUND IN CX DEVICE AND EXTERNAL 1910-1 HORN.
	FIRE ALARM TO RELEASE DOORS FOR IMMEDIATE EGRESS.
	STAGGER REARM TIMES ON CX DEVICES BY SETTING SWITCHES ON CX FOR DIFFERENTLY.
	MTK15 READER TO RELEASE BOTH CX THROUGH ACP CONTROL CONTACT FOR AUTHORIZED PASSAGE. MTK15 OR KEYSWITCH IN CX DEVICE TO RESET CX FROM ALARM. IN THIS EXAMPLE ALL WIRING CONNECTIONS ARE MADE IN JB7 JUNCTION BOX.
<b>DATE DRAWN:</b>	07-11-18
<b>REVISION DATE:</b>	07-11-18

**ALLEGION™**

TITLE: CX DOUBLE DOOR CX WITH PS904

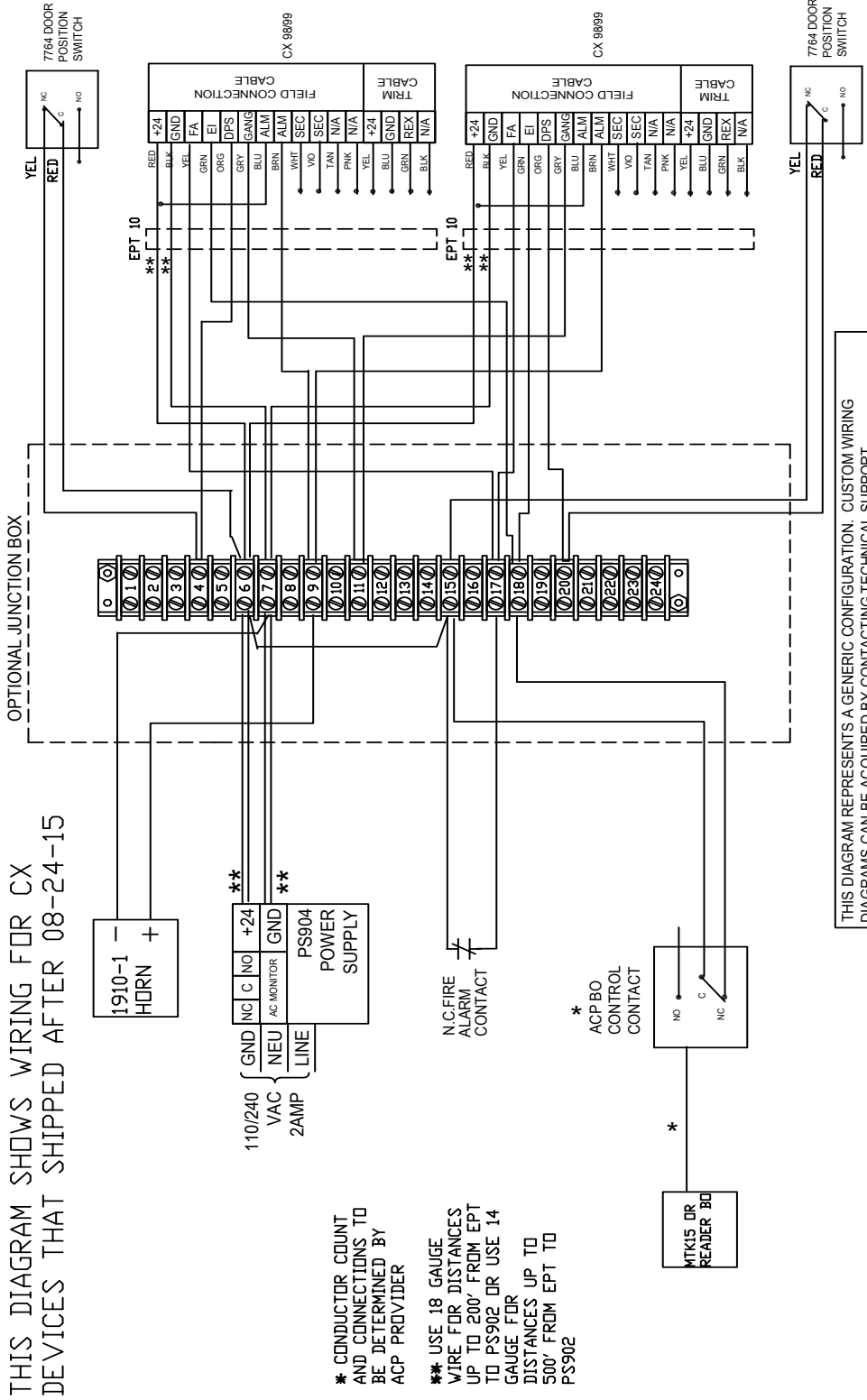
DRAWING TYPE: RISER DIAGRAM

DWG NO: 112290R

DRAWN/CHECKED BY: B DIVE

REV: A

THIS DIAGRAM SHOWS WIRING FOR CX DEVICES THAT SHIPPED AFTER 08-24-15



NOTES:  
 1) ALL LOW VOLTAGE WIRING TO BE STANDARD. MULTI-CONDUCTOR COLOR CODED WITHOUT SPLICES.  
 2) WIRING TO CONFORM TO APPLICABLE NATIONAL, STATE AND LOCAL ELECTRICAL CODES.  
 3) REFER TO SPECIFIC PRODUCT INSTALLATION INSTRUCTIONS FOR SPECIFIC WIRING REQUIREMENTS.  
 4) THIS DRAWING IS FOR GRAPHICAL REPRESENTATION OF PRODUCTS DETAILED IN THE HARDWARE SET ONLY.  
 5) \* CONDUCTOR COUNT TO BE DETERMINED BY ACCESS CONTROL PANEL PROVIDER.

**HARDWARE USED**  
 2 CX 98/99-L RIM DEVICE  
 2 EPT10  
 2 7764 DPS  
 1 JB7 JUNCTION BOX  
 1 MULLION  
 1 1910-1 HORN  
 1 PS904  
 1 MTKIS READER BY ACP BO  
 1 FIRE ALARM CONTACT

TYPE DELAYED EGRESS DOUBLE DOOR

OPERATION:  
 CHEXITS TO PROVIDE DELAY EGRESS. WHEN CX IS IN ALARM AUDIBLE WILL SOUND IN CX DEVICE AND EXTERNAL 1910-1 HORN.  
 FIRE ALARM TO RELEASE DOORS FOR IMMEDIATE EGRESS.  
 STAGGER REARM TIMES ON CX DEVICES BY SETTING SWITCHES ON CX PCB DIFFERENTLY.  
 MTKIS READER TO RELEASE BOTH CX THROUGH ACP CONTROL CONTACT FOR AUTHORIZED PASSAGE. MTKIS OR KEYSWITCH IN CX DEVICE TO RESET CX FROM ALARM. IN THIS EXAMPLE ALL WIRING CONNECTIONS ARE MADE IN JB7 JUNCTION BOX.

DATE DRAWN 07-11-18 REVISION DATE 07-11-18

**ALLEGION™**

CX DOUBLE DOOR CX WITH PS904

TITLE:

DRAWING TYPE: WIRING DIAGRAM

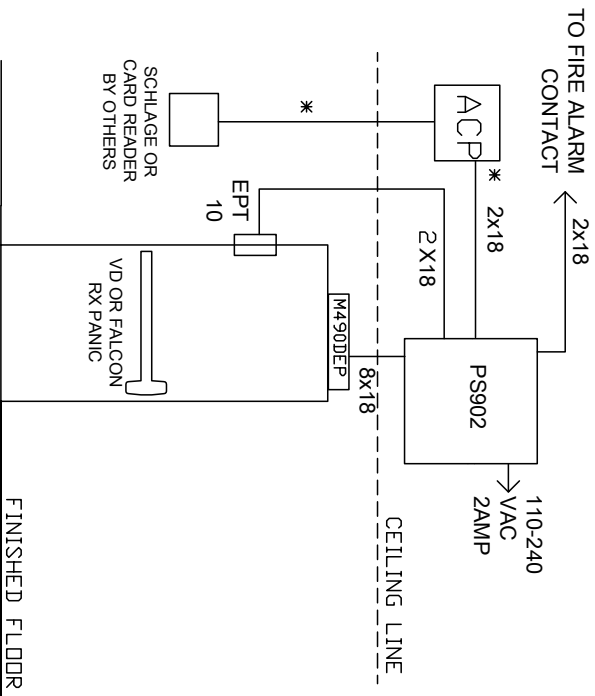
DWG NO: 112290

DRAWN BY: B DOVE/

REV: A

THIS DIAGRAM REPRESENTS A GENERIC CONFIGURATION. CUSTOM WIRING DIAGRAMS CAN BE ACQUIRED BY CONTACTING TECHNICAL SUPPORT.

THIS DIAGRAM REPRESENTS A GENERIC CONFIGURATION. CUSTOM WIRING DIAGRAMS CAN BE ACQUIRED BY CONTACTING TECHNICAL SUPPORT.



NOTE:  
\* ADDITIONAL WIRING IS REQUIRED. SEE MANUFACTURER INSTALLATION INSTRUCTION

NOTES:  
1) ALL LOW VOLTAGE WIRING TO BE STANDARD, MULTI-CONDUCTOR COLOR CODED WITHOUT SPLICES.  
2) WIRING TO CONFORM TO APPLICABLE NATIONAL, STATE AND LOCAL ELECTRICAL CODES.  
3) REFER TO SPECIFIC PRODUCT INSTALLATION INSTRUCTIONS FOR SPECIFIC WIRING REQUIREMENTS.  
4) THIS DRAWING IS FOR GRAPHICAL REPRESENTATION OF PRODUCTS DETAILED IN THE HARDWARE SET ONLY.  
5) \* CONDUCTOR COUNT TO BE DETERMINED BY ACCESS CONTROL PANEL PROVIDER.

HARDWARE USED:  
1 VDO OR FALCON RX PANIC DEVICE  
1 EPT10 POWER TRANSFORMER  
1 M490DEP MAG LOCK  
1 M490DEP MAG LOCK  
1 PS902 POWER SUPPLY  
1 PS902 OR CARD READER BY OTHERS WITH ACP  
FIRE ALARM CONTACT BY OTHERS

TYPE DELAYED  
EGRESS SINGLE

OPERATION:  
M490DEP MAG LOCK TO PROVIDE DELAYED EGRESS. PUSHING ON PANIC INITIATES 15 SECOND RELEASE COUNTDOWN.  
FIRE ALARM TO RELEASE DOORS IMMEDIATELY.  
INTERIOR SCHLAGE OR CARD READER BY OTHERS TO RELEASE DOORS FOR UNAUTHORIZED EGRESS OR WILL RESET M490DEP FROM ALARM.  
IN THIS EXAMPLE ALL WIRING CONNECTIONS ARE MADE IN PS902 ENCLOSURE.

DATE DRAWN: 4-4-2013 REVISION DATE: 07-03-17

TITLE:  
M490DEP WITH RX PANIC,  
ACCESS CONTROL AND PS902



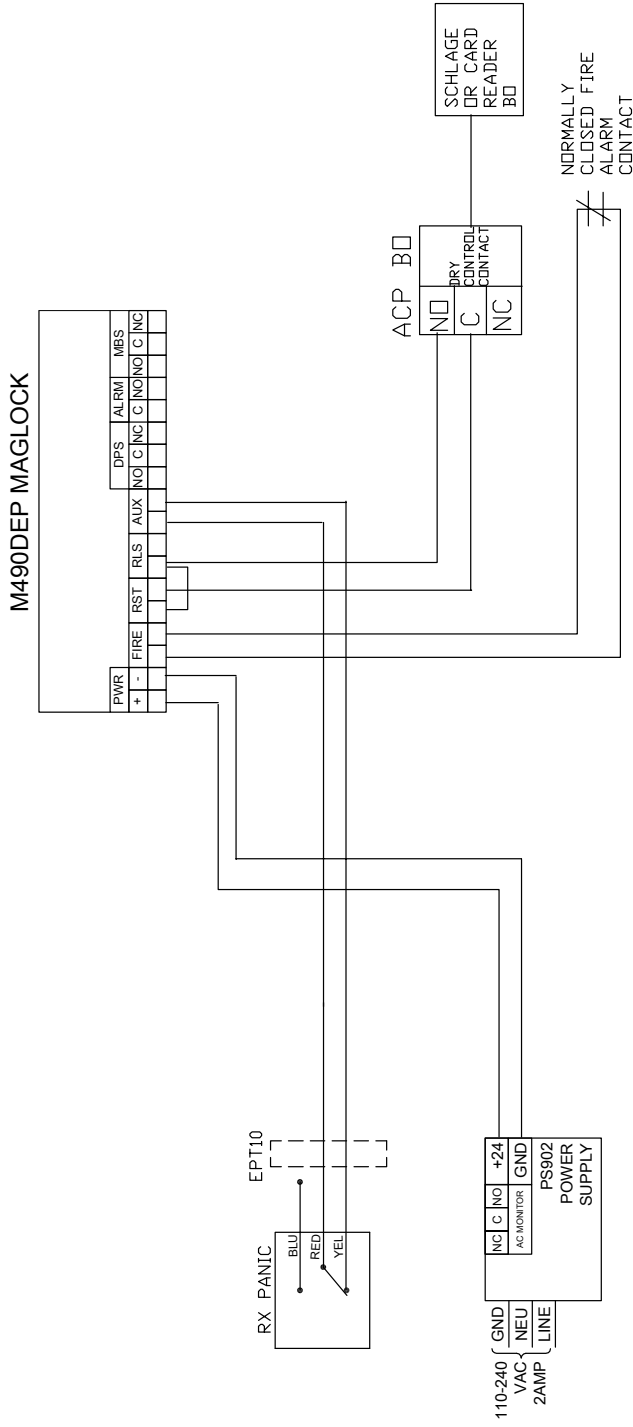
DRAWING TYPE:  
RISER DIAGRAM

DWG NO.: 109498  
DRAWN/CHECKED BY: B DOVE

REV: C



THIS DIAGRAM REPRESENTS A GENERIC CONFIGURATION. CUSTOM WIRING DIAGRAMS CAN BE ACQUIRED BY CONTACTING TECHNICAL SUPPORT.



NOTES:  
 1) ALL LOW VOLTAGE WIRING TO BE STANDARD, MULTI-CONDUCTOR COLOR CODED WITHOUT SPLICES.  
 2) WIRING TO CONFORM TO APPLICABLE NATIONAL, STATE AND LOCAL ELECTRICAL CODES.  
 3) REFER TO SPECIFIC PRODUCT INSTALLATION INSTRUCTIONS FOR SPECIFIC WIRING REQUIREMENTS.  
 4) THIS DRAWING IS FOR GRAPHICAL REPRESENTATION OF PRODUCTS DETAILED IN THE HARDWARE SET ONLY.  
 5) \* CONDUCTOR COUNT TO BE DETERMINED BY ACCESS CONTROL PANEL PROVIDER.

HARDWARE USED:  
 1 VD DR FALCON RX PANIC DEVICE  
 1 EPT10 POWER TRANSFERS  
 1 M490DEP MAG LOCK  
 1 PS902 POWER SUPPLY  
 1 SCHLAGE OR CARD READER BY OTHERS WITH ACP  
 FIRE ALARM CONTACT BY OTHERS  
 TYPE DELAYED EGRESS SINGLE

OPERATION:  
 M490DEP MAG LOCK TO PROVIDE DELAYED EGRESS. PUSHING ON PANIC INITIATES 15 SECOND RELEASE COUNTDOWN.  
 FIRE ALARM TO RELEASE DOORS IMMEDIATELY.  
 INTERIOR SCHLAGE OR CARD READER BY OTHERS TO RELEASE DOORS FOR UNAUTHORIZED EGRESS OR WILL RESET M490DEP FROM ALARM.  
 IN THIS EXAMPLE ALL WIRING CONNECTIONS ARE MADE IN PS902 ENCLOSURE.  
 DATE DRAWN: 4-4-2013 REVISION DATE: 07-03-17

**ALLEGION™**

TITLE: M490DEP WITH RX PANIC, ACCESS CONTROL AND PS902

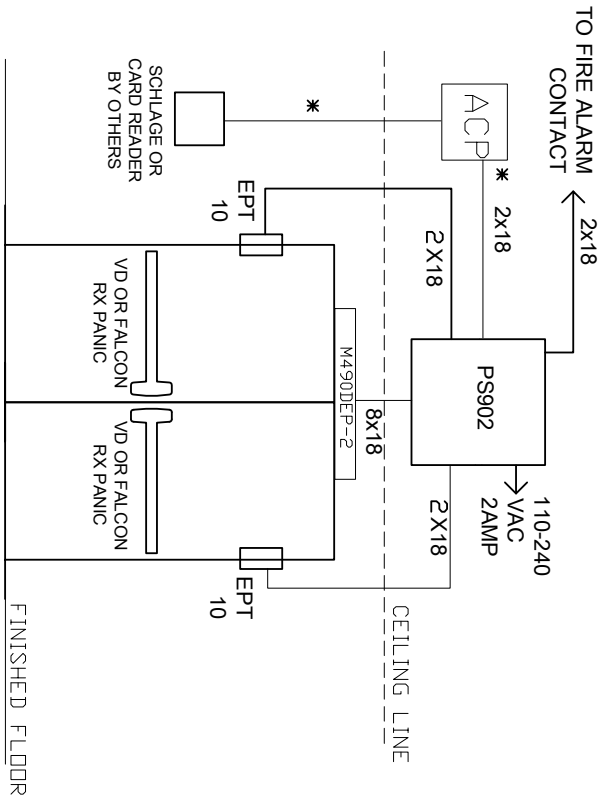
DRAWING TYPE: WIRING DIAGRAM

DWG NO.: 109498

REV: C

DRAWN/CHECKED BY: B DOVE/

THIS DIAGRAM REPRESENTS A GENERIC CONFIGURATION. CUSTOM WIRING DIAGRAMS CAN BE ACQUIRED BY CONTACTING TECHNICAL SUPPORT.



NOTE:  
\*ADDITIONAL WIRING IS REQUIRED. SEE MANUFACTURER INSTALLATION INSTRUCTION

- NOTES:
- 1) ALL LOW VOLTAGE WIRING TO BE STANDARD, MULTI-CONDUCTOR COLOR CODED WITHOUT SPLICES.
  - 2) WIRING TO CONFORM TO APPLICABLE NATIONAL, STATE AND LOCAL ELECTRICAL CODES.
  - 3) REFER TO SPECIFIC PRODUCT INSTALLATION INSTRUCTIONS FOR SPECIFIC WIRING REQUIREMENTS.
  - 4) THIS DRAWING IS FOR GRAPHICAL REPRESENTATION OF PRODUCTS DETAILED IN THE HARDWARE SET ONLY.
  - 5) \* CONDUCTOR COUNT TO BE DETERMINED BY ACCESS CONTROL PANEL PROVIDER.

HARDWARE USED:	
2	VD OR FALCON RX PANIC DEVICES
2	EPT10 POWER TRANSFERS
1	M490DEP-2 MAG LOCK
1	PS902 POWER SUPPLY
1	SCHLAGE OR CARD READER BY OTHERS WITH ACP
FIRE ALARM CONTACT BY OTHERS	
TYPE	DELAYED EGRESS PAIR

OPERATION:	
M490DEP-2 MAG LOCK TO PROVIDE DELAYED EGRESS. PUSHING ON EITHER PANIC INITIATES 15 SECOND RELEASE COUNTDOWN.	
FIRE ALARM TO RELEASE DOORS IMMEDIATELY.	
VD OR FALCON RX PANIC BY OTHERS TO RELEASE DOORS FOR AUTHORIZED EGRESS OR WILL RESET M490DEP-2 FROM ALARM	
IN THIS EXAMPLE ALL WIRING CONNECTIONS ARE MADE IN PS902 ENCLOSURE.	
DATE DRAWN:	4-3-2013
REVISION DATE:	07-03-17

TITLE: **M490DEP-2 WITH PAIR RX PANICS, ACCESS CONTROL AND PS902**

**ALLEGIION™**

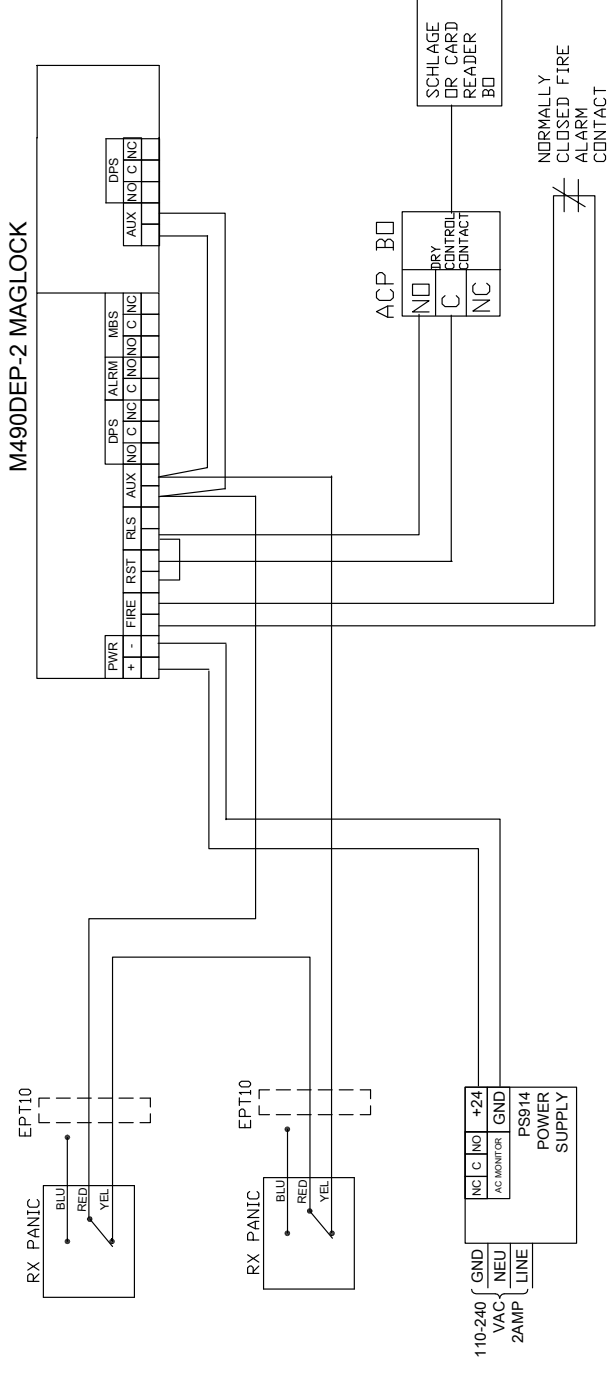
DRAWING TYPE: RISER DIAGRAM

DWG NO: 109500

DRAWN/CHECKED BY: B DOVE

REV: C

THIS DIAGRAM REPRESENTS A GENERIC CONFIGURATION. CUSTOM WIRING DIAGRAMS CAN BE ACQUIRED BY CONTACTING TECHNICAL SUPPORT.



NOTES:  
 1) ALL LOW VOLTAGE WIRING TO BE STANDARD, MULTI-CONDUCTOR COLOR CODED WITHOUT SPLICES.  
 2) WIRING TO CONFORM TO APPLICABLE NATIONAL, STATE AND LOCAL ELECTRICAL CODES.  
 3) REFER TO SPECIFIC PRODUCT INSTALLATION INSTRUCTIONS FOR SPECIFIC WIRING REQUIREMENTS.  
 4) THIS DRAWING IS FOR GRAPHICAL REPRESENTATION OF PRODUCTS DETAILED IN THE HARDWARE SET ONLY.  
 5) \* CONDUCTOR COUNT TO BE DETERMINED BY ACCESS CONTROL PANEL PROVIDER.

HARDWARE USED:  
 2 VJ OR FALCON RX PANIC DEVICES  
 2 EPT10 POWER TRANSFERS  
 1 M490DEP-2 MAG LOCK  
 1 PS902 POWER SUPPLY  
 1 SCHLAGE OR CARD READER BY OTHERS WITH ACP  
 FIRE ALARM CONTACT BY OTHERS

TYPE DELAYED EGRESS PAIR

OPERATION:  
 M490DEP-2 MAG LOCK TO PROVIDE DELAYED EGRESS. PUSHING ON EITHER PANIC INITIATES 15 SECOND RELEASE COUNTDOWN.  
 FIRE ALARM TO RELEASE DOORS IMMEDIATELY.  
 INTERIOR SCHLAGE OR CARD READER BY OTHERS TO RELEASE DOORS FOR AUTHORIZED EGRESS OR WILL RESET M490DEP-2 FROM ALARM.  
 IN THIS EXAMPLE ALL WIRING CONNECTIONS ARE MADE IN PS902 ENCLOSURE.

DATE DRAWN 4-3-2013 REVISION DATE 07-03-17

**ALLEGION™**

TITLE: M490DE-2 WITH PAIR RX PANICS, ACCESS CONTROL AND PS902

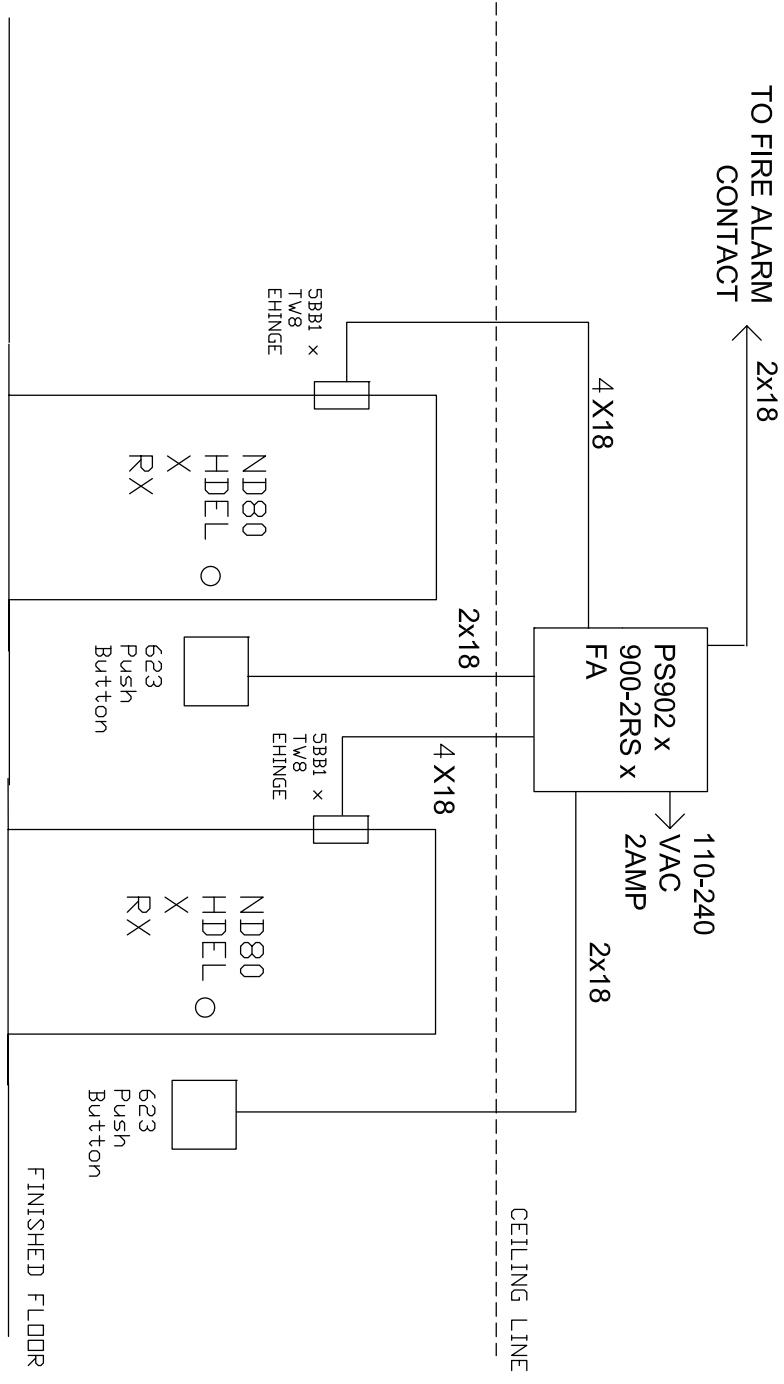
DWG. NO.: 109500

REV. C

DRAWING TYPE: WIRING DIAGRAM

DRAWN/CHECKED BY: B DOVE/

THIS DIAGRAM REPRESENTS A GENERIC CONFIGURATION. CUSTOM WIRING DIAGRAMS CAN BE ACQUIRED BY CONTACTING TECHNICAL SUPPORT.



NOTES:  
 1) ALL LDV VOLTAGE WIRING TO BE STANDARD MULTI-CONDUCTOR COLOR CODED WITHOUT SPLICES.  
 2) WIRING TO CONFORM TO APPLICABLE NATIONAL, STATE AND LOCAL ELECTRICAL CODES.  
 3) REFER TO SPECIFIC PRODUCT INSTALLATION INSTRUCTIONS FOR SPECIFIC WIRING REQUIREMENTS.  
 4) THIS DRAWING IS FOR GRAPHICAL REPRESENTATION OF PRODUCTS DETAILED IN THE HARDWARE SET ONLY.  
 5) ADDITIONAL WIRING WILL BE REQUIRED FROM APP THAT IS NOT SHOWN HERE. CONSULT PROVIDER FOR DETAILS.

HARDWARE USED:

1 PS902-2RS-FA
2 623 PUSHBUTTONS
2 SBBI TW8 HINGES
2 ND80 HDL X RX LOCKSETS
1 FIRE ALARM CONTACT BY BUILDING SYSTEM

TYPE: SHARED RESTROOM

DESCRIPTION: SHARED BY 2 ROOMS. DOORS NORMALLY UNLOCKED. UPON ENTERING RESTROOM ONE OF THE MOMENTARY 623 PUSHBUTTONS WILL BE PRESSED TO UNLOCK THE RESTROOM. VIBRO STRIP LEVER IS USED TO EXT. RX SWITCH IN LEVER WILL ELECTRICALLY UNLOCK BOTH ROOMS. FIRE ALARM ACTIVATION TO CAUSE NO EL. LOCKS TO UNLOCK. IN THIS EXAMPLE ALL WIRING CONNECTIONS ARE MADE IN THE PS902 POWER SUPPLY.

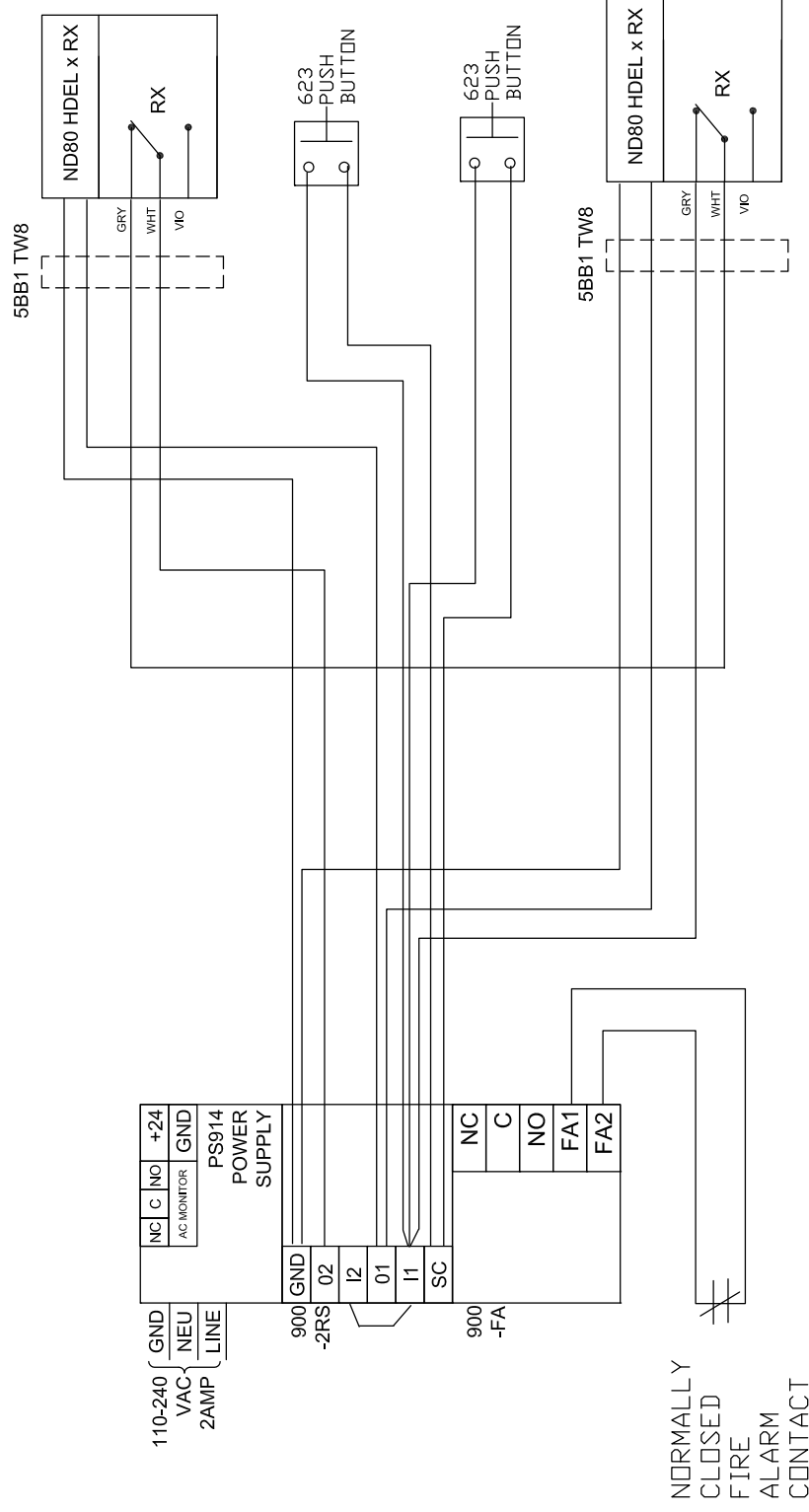
DATE DRAWN: 4-25-13 REVISION DATE: 4-25-13  
 copyright 2013

TITLE: ND80 HDL X RX LOCKSETS  
 DN SHARED RESTROOM

**ALLEGION™**

DRAWING TYPE: RISER DIAGRAM  
 DWG NO.: 109529  
 DRAWN/CHECKED BY: B DOWE  
 REV: A

THIS DIAGRAM REPRESENTS A GENERIC CONFIGURATION. CUSTOM WIRING DIAGRAMS CAN BE ACQUIRED BY CONTACTING TECHNICAL SUPPORT.



NOTES:  
 1) ALL LOW VOLTAGE WIRING TO BE STANDARD, MULTI-CONDUCTOR COLOR CODED WITHOUT SPLICES.  
 2) WIRING TO CONFORM TO APPLICABLE NATIONAL, STATE AND LOCAL ELECTRICAL CODES.  
 3) REFER TO SPECIFIC PRODUCT INSTALLATION INSTRUCTIONS FOR SPECIFIC WIRING REQUIREMENTS.  
 4) THIS DRAWING IS FOR GRAPHICAL REPRESENTATION OF PRODUCTS DETAILED IN THE HARDWARE SET ONLY.  
 5) ADDITIONAL WIRING WILL BE REQUIRED FROM ACP THAT IS NOT SHOWN HERE. CONSULT PROVIDER FOR DETAILS.

HARDWARE USED:  
 1 PS902-2RS-FA  
 2 623 PUSHBUTTONS  
 2 5BB1 TW8 HINGES  
 2 ND80 HDEL X RX LOCKSETS  
 1 FIRE ALARM CONTACT BY BUILDING SYSTEM

TYPE  
 SHARED RESTROOM

OPERATION:  
 COMMON RESTROOM SHARED BY 2 ROOMS.  
 ROOMS NORMALLY UNLOCKED.  
 UPON ENTERING RESTROOM ONE OF THE MOMENTARY 623 PUSHBUTTONS WILL BE PRESSED TO LOCK BOTH ROOMS.  
 LEAVING THE RESTROOM - WHEN EITHER LEVER IS USED TO EXIT. RX SWITCH IN LEVER WILL ELECTRICALLY UNLOCK BOTH ROOMS.  
 FIRE ALARM ACTIVATION WILL CAUSE BOTH HD EL LOCKS TO UNLOCK.  
 IN THIS EXAMPLE ALL WIRING CONNECTIONS ARE MADE IN THE PS92 POWER SUPPLY.

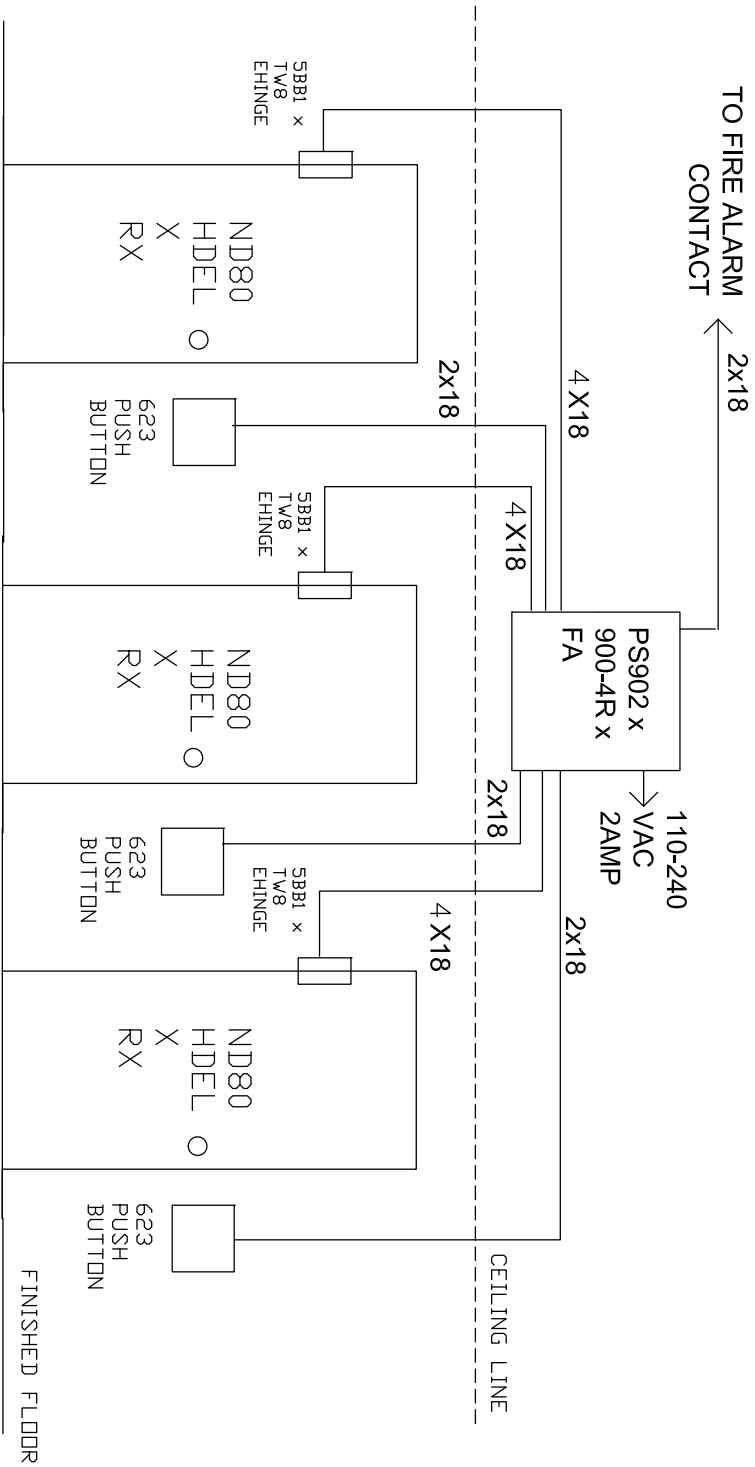
DATE DRAWN: 4-25-13 REVISION DATE: 4-25-13  
 copyright 2013

**ALLEGIION™**

TITLE: ND80 HDEL X RX LOCKSETS ON SHARED RESTROOM

DWG NO: 109529  
 DRAWING TYPE: WIRING DIAGRAM  
 DRAWN BY: B DDVE  
 REV: A

THIS DIAGRAM REPRESENTS A GENERIC CONFIGURATION. CUSTOM WIRING DIAGRAMS CAN BE ACQUIRED BY CONTACTING TECHNICAL SUPPORT.



NOTES:  
 1) ALL LOW VOLTAGE WIRING TO BE STANDARD, MULTI-CONDUCTOR COLOR CODED WITHOUT SPLICES.  
 2) WIRING TO CONFORM TO APPLICABLE NATIONAL, STATE AND LOCAL ELECTRICAL CODES.  
 3) REFER TO SPECIFIC PRODUCT INSTALLATION INSTRUCTIONS FOR SPECIFIC WIRING REQUIREMENTS.  
 4) THIS DRAWING IS FOR GRAPHICAL REPRESENTATION OF PRODUCTS DETAILED IN THE HARDWARE SET ONLY.  
 5) ADDITIONAL WIRING WILL BE REQUIRED FROM APP THAT IS NOT SHOWN HERE. CONSULT PROVIDER FOR DETAILS.

HARDWARE USED	
1	PS902-4R-FA
3	623 PUSHBUTTONS
3	SBB1 TV8 EHINGES
3	ND80 HDEL X RX LOCKSETS
1	FIRE ALARM CONTACT BY BUILDING SYSTEM
TYPE	SHARED RESTROOM -
	3 DOORS

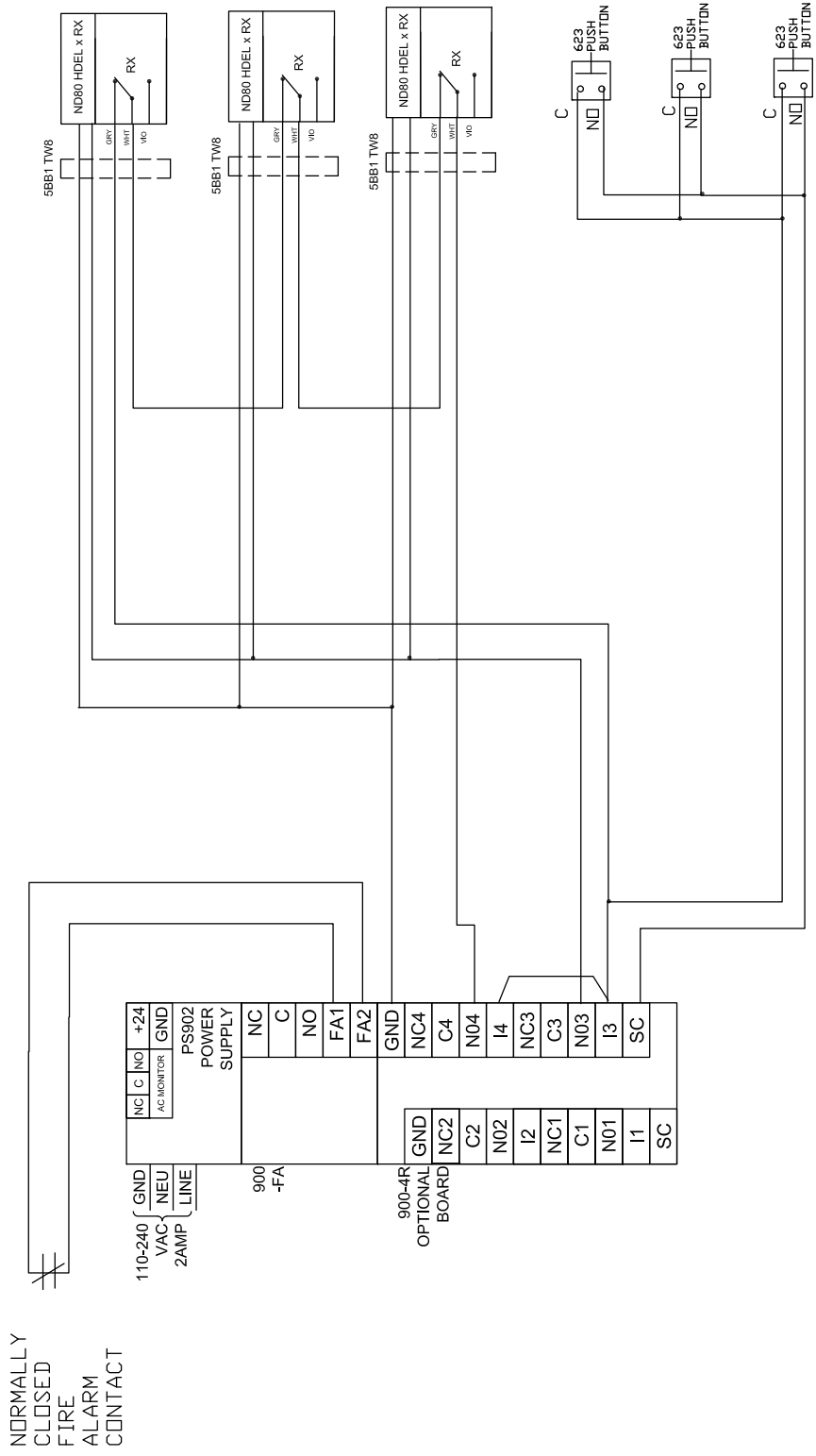
OPERATION	
COMMON RESTROOM SHARED BY 3 ROOMS. DOORS NORMALLY UNLOCKED. UPON ENTERING RESTROOM ONE OF THE MOMENTARY 623 PUSHBUTTONS WILL BE PRESSED TO LOCK ALL DOORS. LEAVING THE RESTROOM - WHEN ANY LEVER IS USED TO EXIT, RX SWITCH IN LEVER WILL ELECTRICALLY UNLOCK ALL DOORS. FIRE ALARM ACTIVATION TO CAUSE ALL ND EL LOCKS TO UNLOCK. IN THIS EXAMPLE ALL WIRING CONNECTIONS ARE MADE IN THE PS902 POWER SUPPLY.	
DATE DRAWN:	4-30-13
REVISION DATE:	4-30-13
COPYRIGHT	2013

**ALLEGION™**

TITLE: 3 ND80 HDEL X RX LOCKSETS  
ON SHARED RESTROOM

DRAWING TYPE	DWG NO.	REV
RISER DIAGRAM	109537	A
	DRAWN/CHECKED BY: B DIVE	

THIS DIAGRAM REPRESENTS A GENERIC CONFIGURATION. CUSTOM WIRING DIAGRAMS CAN BE ACQUIRED BY CONTACTING TECHNICAL SUPPORT.



NORMALLY  
CLOSED  
FIRE  
ALARM  
CONTACT

110-240 VAC	GND	NC	C	NO	+24
2AMP	NEU	AC-MONITOR			GND
	LINE				
		PS902 POWER SUPPLY			
					NC
					C
					NO
					FA1
					FA2
					GND
					NC4
					C4
					N04
					I4
					NC3
					C3
					N03
					I3
					SC
					SC

NOTES:  
 1) ALL LOW VOLTAGE WIRING TO BE STANDARD, MULTI-CONDUCTOR COLOR CODED WITHOUT SPLICES.  
 2) WIRING TO CONFORM TO APPLICABLE NATIONAL, STATE AND LOCAL ELECTRICAL CODES.  
 3) REFER TO SPECIFIC PRODUCT INSTALLATION INSTRUCTIONS FOR SPECIFIC WIRING REQUIREMENTS.  
 4) THIS DRAWING IS FOR GRAPHICAL REPRESENTATION OF PRODUCTS DETAILED IN THE HARDWARE SET ONLY.  
 5) ADDITIONAL WIRING WILL BE REQUIRED FROM ACP THAT IS NOT SHOWN HERE. CONSULT PROVIDER FOR DETAILS.

HARDWARE USED:  
 1 PS902-4R-FA  
 3 623 PUSHBUTTONS  
 3 5BB1 TW8 EHINGES  
 3 ND80 HDEL X RX LOCKSETS  
 1 FIRE ALARM CONTACT BY BUILDING SYSTEM

TYPE SHARED RESTROOM -  
 3 DOORS

OPERATION:  
 COMMON RESTROOM SHARED BY 3 DOORS.  
 DOORS NORMALLY UNLOCKED.  
 UPON ENTERING RESTROOM ONE OF THE MOMENTARY 623 PUSHBUTTONS WILL BE PRESSED TO LOCK ALL DOORS.  
 LEAVING THE RESTROOM - WHEN ANY LEVER IS USED TO EXIT, RX SWITCH IN LEVER WILL ELECTRICALLY UNLOCK ALL DOORS.  
 FIRE ALARM ACTIVATION TO CAUSE ALL NO EL LOCKS TO UNLOCK.  
 IN THIS EXAMPLE ALL WIRING CONNECTIONS ARE MADE IN THE PS902 POWER SUPPLY.

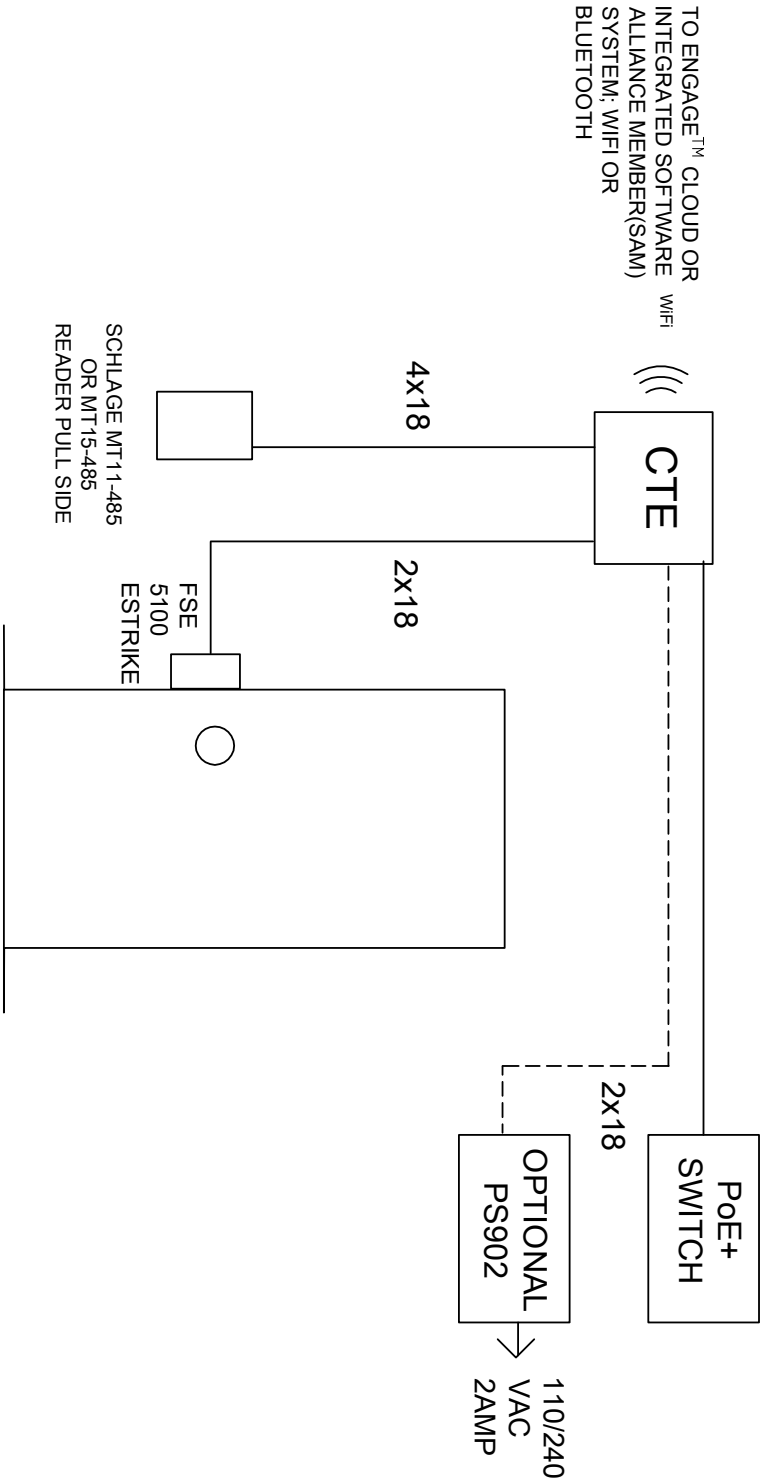
DATE DRAWN: 4-30-13 REVISION DATE: 4-30-13  
 copyright 2013

**ALLEGION™**

TITLE: 3 ND80 HDEL X RX LOCKSETS  
 ON SHARED RESTROOM

DRAWING TYPE: WIRING DIAGRAM  
 DWG NO: 109537  
 REV: A  
 DRAWN/CHECKED BY: B DOVE

THIS DIAGRAM REPRESENTS A GENERIC CONFIGURATION. CUSTOM WIRING DIAGRAMS CAN BE ACQUIRED BY CONTACTING TECHNICAL SUPPORT.



NOTES:  
 1) ALL LOW VOLTAGE WIRING TO BE STANDARD, MULTI-CONDUCTOR COLOR CODED WITHOUT SLICES.  
 2) WIRING TO CONFORM TO APPLICABLE NATIONAL, STATE AND LOCAL ELECTRICAL CODES.  
 3) REFER TO SPECIFIC PRODUCT INSTALLATION INSTRUCTIONS FOR SPECIFIC WIRING REQUIREMENTS.  
 4) THIS DRAWING IS FOR GRAPHICAL REPRESENTATION OF PRODUCTS DETAIL IN THE HARDWARE SET ONLY.  
 5) ADDITIONAL WIRING WILL BE REQUIRED FROM ACP THAT IS NOT SHOWN HERE. CONSULT PROVIDER FOR DETAILS.

HARDWARE USED: 1 CTE 1 MT11-485 OR MT15-485 SCHLAGE READER 1 VD 5100 ESTRIKE 1 PoE+ SWITCH 1 OPTIONAL PS902
TYPE PoE+ CTE ACCESS CONTROL WITH 5100 ESTRIKE - BASIC

OPERATION: SCHLAGE MT11-485 OR MT15-485 READER TO RELIEVE FSE 5100 ESTRIKE TO ALLOW ENTRY. CTE CAN BE USED WITH ENGAGE™ CLOUD OR SOFTWARE ALLIANCE MEMBER (SAM) SYSTEM. VERIFY PoE+ POWER SOURCE APPROPRIATE TO HANDLE LOAD AT OPENING. ADDITIONAL WIRING WILL BE REQUIRED THAT IS NOT SHOWN HERE. FREE EGRESS ALWAYS PERMITTED. THIS IS NOT A FIRE RATED APPLICATION.	
DATE DRAWN: 08-21-17	REVISION DATE: 08-21-17

**ALLEGION™**

TITLE  
PoE+ CTE WITH 5100 ESTRIKE  
BASIC CONFIGURATION

DRAWING TYPE: \_\_\_\_\_

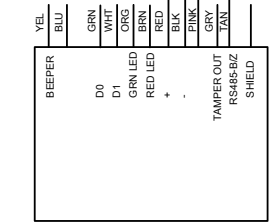
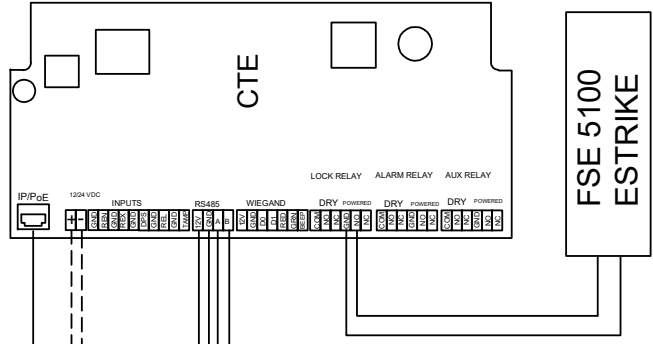
DWG NO: 112089

DRAWN/CHECKED BY: BRENDA DOVE

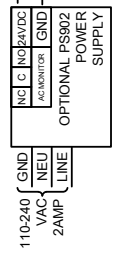
REV: A



THIS DIAGRAM REPRESENTS A GENERIC CONFIGURATION. CUSTOM WIRING DIAGRAMS CAN BE ACQUIRED BY CONTACTING TECHNICAL SUPPORT.



SCHLAGE  
MT11-485 OR  
MT15-485  
PULL SIDE  
READER



NOTES:  
 1) ALL LOW VOLTAGE WIRING TO BE STANDARD, MULTI-CONDUCTOR COLOR CODED WITHOUT SPLICES.  
 2) WIRING TO CONFORM TO APPLICABLE NATIONAL, STATE AND LOCAL ELECTRICAL CODES.  
 3) REFER TO SPECIFIC PRODUCT INSTALLATION INSTRUCTIONS FOR SPECIFIC WIRING REQUIREMENTS.  
 4) THIS DRAWING IS FOR GRAPHICAL REPRESENTATION OF PRODUCTS DETAILED IN THE HARDWARE SET ONLY.  
 5) ADDITIONAL WIRING WILL BE REQUIRED FROM ACP THAT IS NOT SHOWN HERE. CONSULT PROVIDER FOR DETAILS.

HARDWARE USED:  
 1 CTE  
 1 MT11-485 OR MT15-485 SCHLAGE READER  
 1 VD 5100 ESTRIKE  
 1 PoE+ SWITCH  
 1 OPTIONAL PS902

TYPE PoE+ CTE ACCESS CONTROL WITH 5100 ESTRIKE - BASIC

OPERATION:  
 SCHLAGE MT11-485 OR MT15-485 READER TO RELEASE FSE 5100 ESTRIKE TO ALLOW ENTRY. CTE CAN BE USED WITH ENGAGE™ QLOUD OR SOFTWARE ALLIANCE MEMBER (SAM) SYSTEM. VERIFY PoE+ POWER SOURCE APPROPRIATE TO HANDLE LOAD AT OPENING. ADDITIONAL WIRING WILL BE REQUIRED THAT IS NOT SHOWN HERE.  
 FREE EGRESS ALWAYS PERMITTED.  
 THIS IS NOT A FIRE RATED APPLICATION

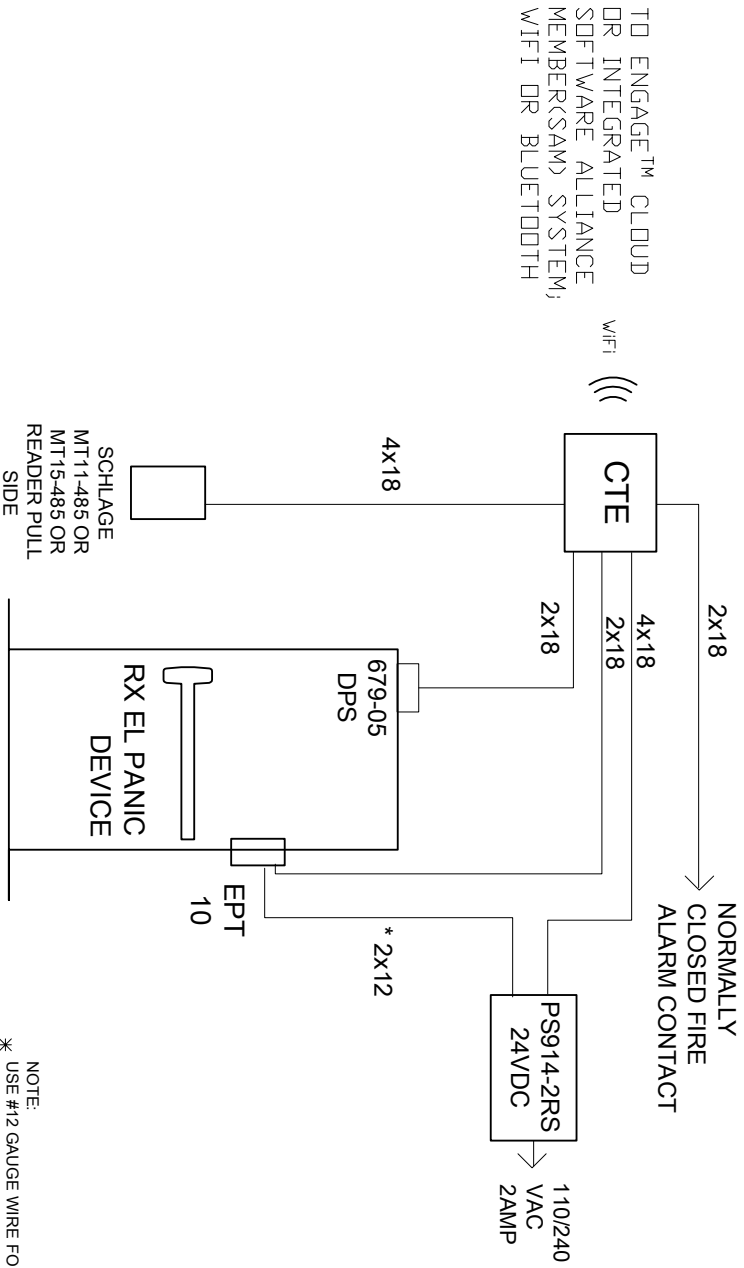
DATE DRAWN: 08-21-17  
 REVISION DATE: 08-21-17

**ALLEGION™**

**PoE+ CTE WITH 5100 ESTRIKE BASIC CONFIGURATION**

DWG NO: 112089W  
 REV: A  
 DRAWN/CHECKED BY: BRENDA DOVE

THIS DIAGRAM REPRESENTS A GENERIC CONFIGURATION. CUSTOM WIRING DIAGRAMS CAN BE ACQUIRED BY CONTACTING TECHNICAL SUPPORT.



NOTES:  
1) ALL LOW VOLTAGE WIRING TO BE STANDARD, MULTI-CONDUCTOR COLOR CODED WITHOUT SPLICES.  
2) WIRING TO CONFORM TO APPLICABLE NATIONAL, STATE AND LOCAL ELECTRICAL CODES.  
3) REFER TO SPECIFIC PRODUCT INSTALLATION INSTRUCTIONS FOR SPECIFIC WIRING REQUIREMENTS.  
4) THIS DRAWING IS FOR GRAPHICAL REPRESENTATION OF PRODUCTS DETAILED IN THE HARDWARE SET ONLY.  
5) \* CONDUCTOR COUNT TO BE DETERMINED BY ACCESS CONTROL PANEL PROVIDER.

HARDWARE USED:

1 CTE
1 MT11-485 OR MT15-485 SCHLAGE READER
1 VD OR FALCON RX EL PANIC
1 EPT10
1 PS914-2RS
1 679-05 DPS

TYPE: CTE ACCESS CONTROL WITH EL PANIC - FIRE RATED

OPERATION:

SCHLAGE MT11-485 OR MT15-485 READER TO SIGNAL EL TO RETRACT THE ELECTRIC LATCH ON PANIC BAR THROUGH THE CTE TO ALLOW ENTRY.  
CTE CAN BE USED WITH ENGAGE™ CLOUD OR SOFTWARE ALLIANCE MEMBER (SAM) INTEGRATED SYSTEM.  
FREE EGRESS ALWAYS PERMITTED.  
FIRE ALARM TO EXTEND EL LATCH.

DATE DRAWN: 08-21-17	REVISION DATE: 08-21-17
----------------------	-------------------------

**ALLEGION™**

TITLE: CTE WITH EL AND PS914-2RS - FIRE RATED

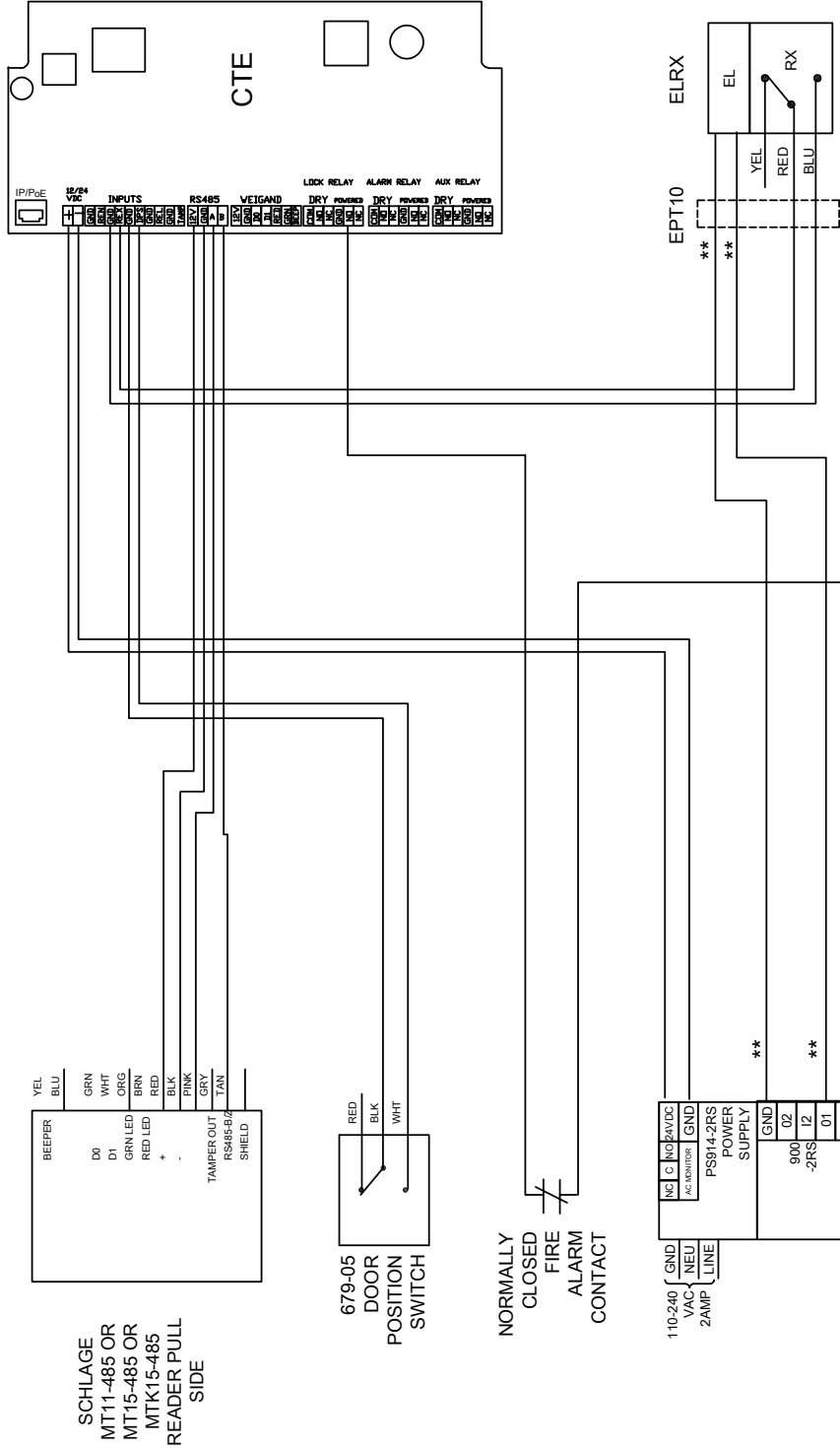
DRAWING TYPE: RISER DIAGRAM

DWG NO: 112090

DRAWN/CHECKED BY: BREND A DOVE

REV: A

THIS DIAGRAM REPRESENTS A GENERIC CONFIGURATION. CUSTOM WIRING DIAGRAMS CAN BE ACQUIRED BY CONTACTING TECHNICAL SUPPORT.



NOTE:  
 \*\* USE #12 GAUGE WIRE FOR DISTANCES UP TO 200' FROM EPT TO PS914.  
 \*\* USE #14 GAUGE WIRE FOR DISTANCES UP TO 100' FROM EPT TO PS914.

NOTES:  
 1) ALL LOW VOLTAGE WIRING TO BE STANDARD, MULTI-CONDUCTOR COLOR CODED WITHOUT SPLICES.  
 2) WIRING TO CONFORM TO APPLICABLE NATIONAL, STATE AND LOCAL ELECTRICAL CODES.  
 3) REFER TO SPECIFIC PRODUCT INSTALLATION INSTRUCTIONS FOR SPECIFIC WIRING REQUIREMENTS.  
 4) THIS DRAWING IS FOR GRAPHICAL REPRESENTATION OF PRODUCTS DETAILED IN THE HARDWARE SET ONLY.  
 5) ADDITIONAL WIRING WILL BE REQUIRED FROM ACP THAT IS NOT SHOWN HERE. CONSULT PROVIDER FOR DETAILS.

**HARDWARE USED:**  
 1 CTE  
 1 MT11-485 OR MT15-485 OR MTK15-485 SCHLAGE READER  
 1 VD OR FALCON RX EL PANIC  
 1 EPT10  
 1 PS914-2RS  
 1 679-05 DPS

**TYPE:** CTE ACCESS CONTROL WITH EL PANIC-FIRE RATED

**OPERATION:**  
 SCHLAGE MT11-485 OR MT15-485 OR MTK15-485 READER TO SIGNAL EL TO RETRACT THE ELECTRIC LATCH ON PANIC BAR THROUGH THE CTE TO ALLOW ENTRY.  
 CTE CAN BE USED WITH ENGAGE™ CLOUD OR SOFTWARE ALLIANCE MEMBER (SAM) INTEGRATED SYSTEM.  
 FREE EGRESS ALWAYS PERMITTED.  
 FIRE ALARM TO EXTEND EL LATCH.

**DATE DRAWN:** 08-21-17  
**REVISION DATE:** 08-21-17

**ALLEGION™**

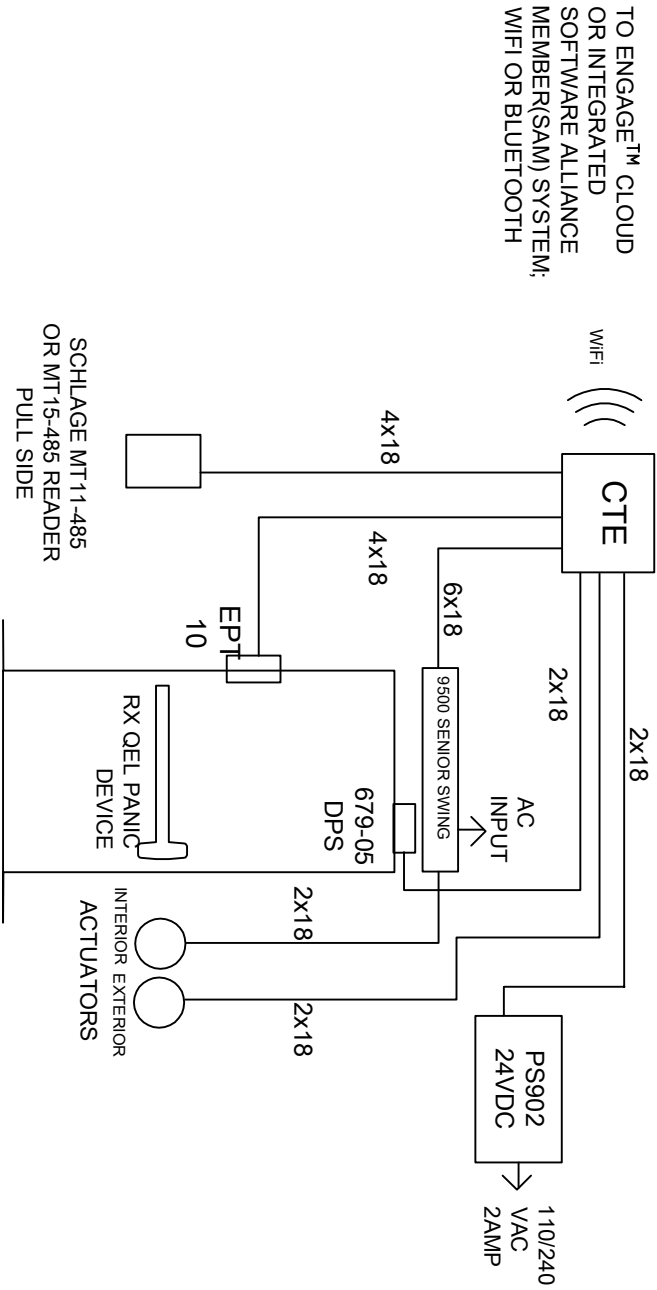
CTE WITH EL AND PS914-2RS-FIRE RATED

WIRING DIAGRAM

DWG NO: 112090  
 DRAWN/CHECKED BY: BRENDA DOVE

REV: **A**

THIS DIAGRAM REPRESENTS A GENERIC CONFIGURATION. CUSTOM WIRING DIAGRAMS CAN BE ACQUIRED BY CONTACTING TECHNICAL SUPPORT.



NOTES:  
1) ALL LOW VOLTAGE WIRING TO BE STANDARD.  
MULTI-CONDUCTOR COLOR CODED WITHOUT SPLICES.  
2) WIRING TO CONFORM TO APPLICABLE NATIONAL, STATE AND  
LOCAL ELECTRICAL CODES.  
3) REFER TO SPECIFIC PRODUCT INSTALLATION INSTRUCTIONS  
FOR SPECIFIC WIRING REQUIREMENTS.  
4) THIS DRAWING IS FOR GRAPHICAL REPRESENTATION OF  
PRODUCTS DETAILED IN THE HARDWARE SET ONLY.  
5) \* CONDUCTOR COUNT TO BE DETERMINED BY ACCESS  
CONTROL PANEL PROVIDER

HARDWARE USED:	
1	CTE
1	MT 11-485 OR MT 15-485 SCHLAGE READER
1	VD QEL PANIC
1	EPT 10
1	PS902
1	679-05 DPS
1	9500 SENIOR SWING
2	ACTUATORS

TYPE  
CTE ACCESS CONTROL  
WITH QEL PANIC WITH  
SENIOR SWING AO

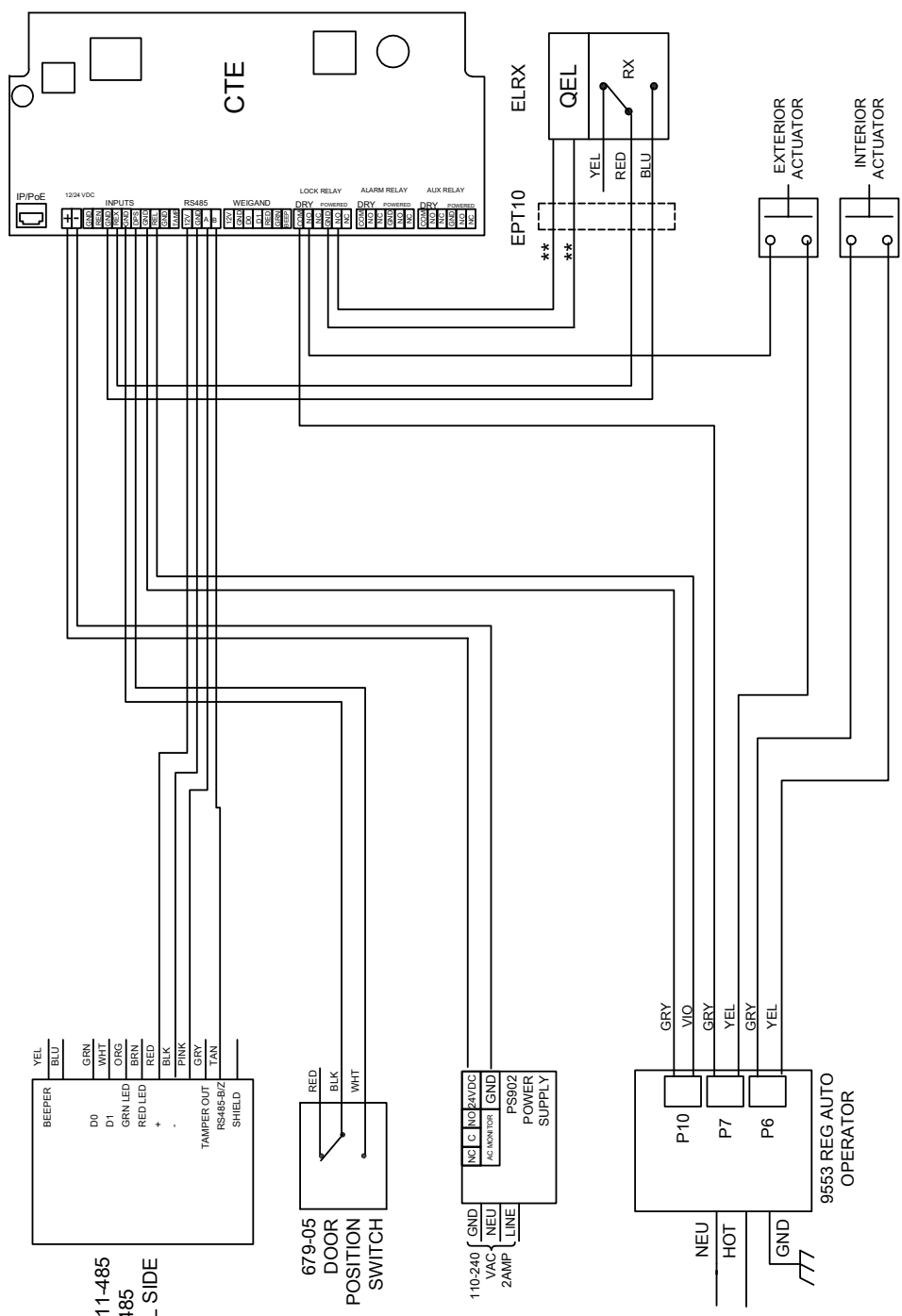
OPERATION:  
SCHLAGE MT 11-485 OR MT 15-485 READER TO SIGNAL EL TO RETRACT THE ELECTRIC LATCH  
ON VON DUPPIN RX QEL PANIC BAR AND ENABLE EXTERIOR ACTUATOR TO ALLOW ENTRY.  
FREE EGRESS ALWAYS PERMITTED. INTERIOR ACTUATOR ALWAYS ACTIVE.  
ADDITIONAL WIRING WILL BE REQUIRED THAT IS NOT SHOWN HERE.  
CTE TO COMMUNICATE TO ENGAGE™ CLOUD OR SOFTWARE ALLIANCE  
MEMBER (SAM) SYSTEM  
THIS IS NOT A FIRE RATED APPLICATION

DATE DRAWN:	08-24-17	REVISION DATE:	08-24-17
-------------	----------	----------------	----------

TITLE  
CTE WITH QEL AND PS902 WITH 9500  
SENIOR SWING AO



DRAWING TYPE:	RISER DIAGRAM	DWG NO.:	112091	REV:	A
		DRAWN/CHECKED BY:	BRENDA DOVE		



SCHLAGE MT11-485  
OR MT15-485  
READER PULL SIDE

679-05  
DOOR  
POSITION  
SWITCH

110-240 VAC  
NEU  
HOT  
GND  
2AMP  
LINE  
PS902  
POWER  
SUPPLY

9553 REG AUTO  
OPERATOR

THIS DIAGRAM REPRESENTS A GENERIC CONFIGURATION. CUSTOM WIRING  
DIAGRAMS CAN BE ACQUIRED BY CONTACTING TECHNICAL SUPPORT.

\*\* NOTE:  
USE #18 GAUGE WIRE FOR DISTANCES UP TO 200' FROM EPT TO PS902

NOTES:  
1) ALL LOW VOLTAGE WIRING TO BE STANDARD, MULTI-CONDUCTOR COLOR CODED WITHOUT SPLICES.  
2) WIRING TO CONFORM TO APPLICABLE NATIONAL, STATE AND LOCAL ELECTRICAL CODES.  
3) REFER TO SPECIFIC PRODUCT INSTALLATION INSTRUCTIONS FOR SPECIFIC WIRING REQUIREMENTS.  
4) THIS DRAWING IS FOR GRAPHICAL REPRESENTATION OF PRODUCTS DETAILED IN THE HARDWARE SET ONLY.  
5) ADDITIONAL WIRING WILL BE REQUIRED FROM ACP THAT IS NOT SHOWN HERE. CONSULT PROVIDER FOR DETAILS.

HARDWARE USED:  
1 CTE  
1 MT11-485 OR MT15-485 SCHLAGE  
READER  
1 VD QEL PANIC  
1 EPT 10  
1 PS902  
1 679-05 DPS  
1 9500 SENIOR SWING  
2 ACTUATORS

TYPE CTE ACCESS CONTROL  
WITH QEL PANIC WITH  
SENIOR SWING AO

OPERATION:  
SCHLAGE MT11-485 OR MT15-485 READER TO SIGNAL EL TO RETRACT THE ELECTRIC LATCH  
ON VON DUPRIN RX QEL PANIC BAR AND ENABLE EXTERIOR ACTUATOR TO ALLOW ENTRY.  
FREE EGRESS ALWAYS PERMITTED. INTERIOR ACTUATOR ALWAYS ACTIVE.  
ADDITIONAL WIRING WILL BE REQUIRED THAT IS NOT SHOWN HERE.  
CTE TO COMMUNICATE TO ENGAGE™ CLOUD OR SOFTWARE ALLIANCE  
MEMBER (SAM) SYSTEM  
THIS IS NOT A FIRE RATED APPLICATION

DATE DRAWN: 08-24-17 REVISION DATE: 08-24-17

**ALLEGION™**

CTE WITH QEL AND PS902 WITH 9500  
SENIOR SWING AO

TITLE: CTE WITH QEL AND PS902 WITH 9500  
SENIOR SWING AO

DWG NO: 112091  
DRAWN/CHECKED BY: BRENDA DOVE

REV: A

This page intentionally left blank.



## About Allegion

Allegion (NYSE: ALLE) is a global pioneer in seamless access, with leading brands like CISA®, Interflex®, LCN®, Schlage®, SimonsVoss® and Von Duprin®. Focusing on security around the door and adjacent areas, Allegion secures people and assets with a range of solutions for homes, businesses, schools and institutions. Allegion had \$2.7 billion in revenue in 2018, and sells products in almost 130 countries.

For more, visit [www.allegion.com](http://www.allegion.com).

KRYPTONITE ■ LCN ■  ■ STEELCRAFT ■ VON DUPRIN