



AD-201

FIPS 201-1 compliant
standalone electronic lock
with multi-technology +
keypad reader



Overview

The AD-201 is a simple and economical standalone solution for applications which require approval by the U.S. Federal Government under HSPD-12 for FIPS 201-1 compliance. The solution consists of the AD-201 integrated electronic lock with multi-technology + keypad (FMK) reader module, the handheld programming device (HHD) and the MT20 enrollment reader.

The innovative modular design of the AD-201 allows reader modules and communication modules to easily be upgraded. As a result, the AD-201 standalone lock can become an AD-401 networked wireless locks in minutes, without even taking it off the door.

The FMK reader module comes standard with the AD-201 lock and also can be ordered separately for field upgrades. It is for use with PIV and PIV-I credentials. The FMK is a multi-technology reader that supports 125 kHz proximity and 13.56 MHz smart cards.

Schlage Express offline access control software is used in conjunction with the AD-201 to manage access points, users and schedules. Reporting capability is available to show audit trails retrieved, access privileges granted, and time functions established by either user or door.

The MT-20 is an enrollment reader is designed to simplify the credential enrollment process. You can easily enroll 75-bit and 200-bit PIV, PIV-I or other smart card into Schlage Express using the MT-20 connected to your computer's USB port.

The handheld device is the link between Schlage Express software and the AD-201 lock. It consolidates and simplifies programming and managing your access control system. It is used to initialize, configure and test product operation as well as to transfer information between the lock and the software.

Features and benefits

AD-201 FIPS 201 lock

- FIPS 201 compliant multi-technology reader for use with PIV and PIV-I credentials
- Upgradable to an AD-401 FIPS 201-1 compliant wireless lock
- Available in cylindrical, mortise, mortise deadbolt and exit trim
- UL 294 listed, ANSI/BHMA A156.25 and ANSI/BHMA Grade 1 certified

Schlage Express™ offline software

- Offline software used to manage AD-201 locks
- Supports up to 2000 users/audits with 50 locks or 1000 users/audits with 100 locks
- Supports up to 8 time zone and up to 16 holidays and auto unlocks per system

MT-20 enrollment reader

- USB reader makes it easy to enroll credentials in Schlage Express™
- Recognizes Schlage smart credentials (MIFARE Classic®, MIFARE® DESFire® EV1 and EV2)

Handheld programming device

- Allows you to initialize, configure and test AD-201 locks
- Used to transfer user rights from Schlage Express to AD-201
- Transfers audits trails from AD-201 to Schlage Express

AD-201 electronic lock specifications

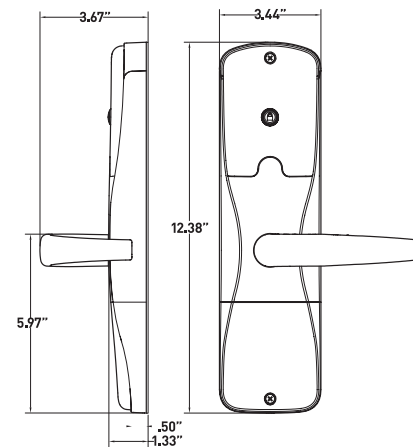
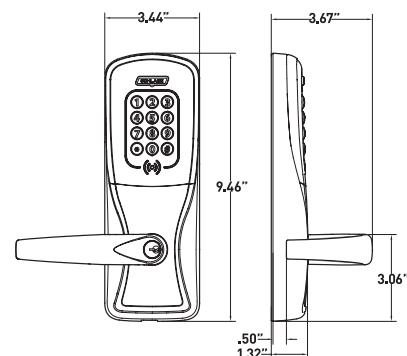
Credential verification time	≤ 1 second ¹
Visual/audible communications	Tri-colored LEDs and audible indicators (field configurable)
System interface	Handheld Device (HHD) or SUS-A Cable used with SUS Android mobile app (available late 2020)
Power supply	4AA, 8AA, 12 VDC or 24 VDC
Voltage range	4 VDC to 26 VDC
Max current requirement	Up to 250 mA
Battery life	Up to 2 yrs with 4AA
Operating temperature - exterior	-31° to 151°F (-35° to 66°C)
Operating temperature - interior	32° to 120°F (0° to 49°C) (battery)
Operating humidity	0 - 100% non-condensing
Certifications	ANSI/BHMA A156.25, ANSI/BHMA Grade 1, UL 294, UL 10C, FCC Part 15, ADA, RoHS
Accessories	Handheld Device (HHD) or SUS-A Cable used with SUS Android mobile app (available late 2020)

Mechanical specifications

Chassis	Cylindrical	Mortise	Exit trim
Handing	Handed to order, field reversible		
ANSI standard (Meets or exceeds)	A156.25 A156.2 Series 4000 Grade 1	A156.25 A156.13 Series 1000 Grade 1	A156.25 A156.3
Door thickness	1 3/4" standard, 1 3/8" to 2 3/4" optional (available in 1/8" increments)		
Backset	Standard: 2 3/4" Optional: 2 3/8", 3 3/4", 5"	2 3/4" only	Defined by exit device
Latch bolt	Standard: 1/2" throw Optional: 3/4" throw	Standard: 3/4" throw Optional: 1" throw on mortise deadbolt	Provided by exit device
Levers	Pressure cast zinc, plated	Steel, plated	Steel, plated
Strike	Standard: 1 3/16" lip, ANSI, 1 1/4" x 4 7/8" Optional: Additional configurations available please see price book		Provided by exit device
Cylinder and keys	Schlage 6-pin Everest 29 S123 keyway cylinder with two patented keys standard Additional options available including Standard, SFIC, FSIC and competitor brands		

Multi-technology reader specification

Credential technologies	Proximity (125 kHz) and Smart (13.56 MHz)
Standards	ISO standard 15693 and ISO 14443
Maximum read range	Up to 1.25" on 125 kHz proximity, up to 0.75" on 13.56 MHz smart card
Proximity credential compatibility	Compatibility: Schlage®, ISONAS™, HID®, GE/CASI ProxLite®, AWID® and LenelProx® Schlage credential style formats: Clamshell, ISO card, ISO card with magnetic stripe, keyfob, thin keyfob, PVC adhesive disk
Smart credential compatibility	Secure sector compatibility: Schlage MIFARE Classic®, Schlage MIFARE Plus®, Schlage MIFARE® DESFire® EV1 and EV2 with PACSA, PIV and PIV-I ² CSN only compatibility: DESFire, HID iClass®, Inside Contactless Pico Tag®, MIFARE, MIFARE DESFire EV1 and EV2, ST Microelectronics®, Texas Instruments Tag-It®, Phillips I-Code® Schlage credential style formats: Clamshell, ISO card, ISO card with magnetic stripe, keyfob, thin keyfob, wearable wristband, PVC adhesive patch
Certifications/standards	FCC, UL 294 Listed, ISO standard 15693, ISO standard 14443 and FIPS 201-1
Style/layout	Option for 12 button, 3x4 matrix backlit keypad



AD Series FMK reader modules



FIPS 201-1 compliant multi-technology

- FMK reader required for FIPS 201-1 compliant multi technology and keypad reader supporting both proximity and smart cards

+ KEYPAD

¹ Verification time is dependent on size of user base

² The AD Series FIPS 201-1 compliant option can be used in applications which require approval by the U.S. Government under HSPD-12 for FIPS 201-1

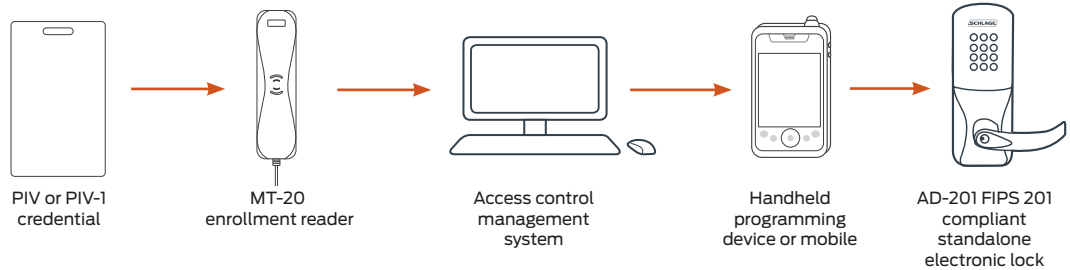
Schlage Express specifications

Hardware	Intel Pentium II processor (Pentium III or IV recommended), CD-ROM, mouse or compatible pointing device, VGA or Super VGA monitor, keyboard
Hard disk space	250 MB for software; will require additional space for stored data
Memory	256 MB RAM minimum or the memory required for the operating system, whichever is greater
Operating system	Microsoft Windows XP, Windows 7 and Windows 8
Reports with the built-in viewer Internet Explorer 6 or higher must be installed.	

Schlage Express AD-201 specifications

Users/audits	<ul style="list-style-type: none"> ▪ 2,000 Users/audits with 50 AD-201 locks/devices ▪ 1,000 Users/audits with 100 AD-201 locks/devices
User time zones	Limits the hours and days a user can access up to 8 assigned points
Holidays	Suspends normal operations for user defined periods per door during up to 16 non-normal days
PIN codes	<ul style="list-style-type: none"> ▪ Supports up to 6 digit PIN codes ▪ Duplicate PIN notification feature
Auto unlock schedules	Allows weekly repeating for automatic locking and unlocking of up to 16 defined

AD-201 standalone system



Schlage Utility Software

The Schlage Utility Software (SUS) on the Handheld Device (HHD) or compatible Android mobile devices (available late 2020) provides an easy way to manage people, audits and locks for simple access control management.

Schlage Utility Software

- Initialize lock and accessories
- Field configure devices
 - Credential reader formats
 - Lock function
 - Unlock period
 - Failure mode
 - Audible alarm on/off
- Service and diagnostics
 - Battery status
 - Validate hardware and software revision
 - Troubleshooting status signals
- New device template simplifies configuration

HHD is also compatible with CM, CL, VIP, WA and KC2 Series locks in a serial cable connection.

Ordering information

Available through one of our GSA schedule 84 approved distributions; BAA options available

AD-201-CY-70-FMK-SPA-626-PD-S123-RH-4B-13-049-10-025-1 3/4

Series	Class	Chassis	Function	Reader	Lever style	Finish	Lever cylinder	Keying type	Handing	Battery	Backset and latch	Strike	Door thickness
1	2	3	4	5	6	7	8	9	10	11	12	13	14

Selections correspond with the numbers above

Standards options are indicated in bold. See price book for specific configuration options.

3	Chassis
CY	Cylindrical
MS	Mortise
MD	Mortise deadbolt
993R	Exit trim – Rim/CVC/CVR
993S	Exit trim – SVR
993M	Exit trim – mortise
993DT	Non-functioning dummy trim for exit
4	Function
70	Classroom/storeroom
50	Office
40	Privacy
60	Apartment
5	Reader
FMK	FIPS 201-1 compliant multi-technology + keypad (125 kHz and 13.56 MHz)
6	Lever
SPA	Sparta
RHO	Rhodes
ATH	Athens
TLR	Tubular

Available with knurled surface

7	Finish
626	Satin chrome
605	Bright brass
606	Satin brass
612	Satin bronze
619	Satin nickel
625	Bright chrome
643e	Aged bronze
626AM	Satin chrome antimicrobial
8	Lever cylinder type
PD	Schlage 6-pin full cylinder
	See price book for other SFIC, FSIC and Less Cores options available. Compatible with Schlage, Sargent, Corbin, Medeco and Yale.
9	Keyway type
S123	Everest 29
	See price book for other available keyway options including master keying
10	Handling
RH	Right handed
LH	Left handed
	Field reversible
11	Battery
4B	4AA
8B	8AA

12	Backset and latch or armor front
Cylindrical	
13-247	2 3/4" backset, deadlatch, square corner, 1 1/8" x 2 1/4"
Mortise	
09-663	Armor front, 1 1/4" wide, square corner
	See price book for mortise deadbolt and other backset and latch options or armor front options
13	Strike
Cylindrical	
10-025	1 3/16" lip, ANSI, no box, 1 1/4" x 4 7/8"
Mortise	
10-072	1 3/16" lip, 1 1/4" x 4 7/8" square corner, box
	See price book for other available strikes
14	Door thickness
1 3/4"	
	Other thicknesses available between 1 3/8" and 2 3/4"
	See price book for detail

Lever styles

Standard cylinders shown, SFIC and FSIC also available.



Sparta

Rhodes

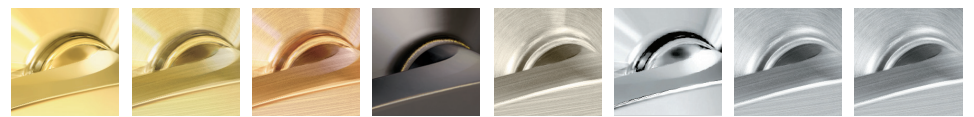


Athens

Tubular

Finishes

Warm tone finishesCool tone finishes



605

Bright brass

606

Satin brass

612

Satin bronze

643e

Aged bronze

619

Satin nickel

625

Bright chrome

626

Satin chrome

626AM

Satin chrome with antimicrobial

Allegion, the Allegion logo, Schlage, the Schlage logo, Von Duprin and Falcon are trademarks of Allegion plc, its subsidiaries and/or affiliates in the United States and other countries. All other trademarks are the property of their respective owners.

About Allegion

Allegion (NYSE: ALLE) is a global pioneer in safety and security, with leading brands like CISA®, Interflex®, LCN®, Schlage®, SimonsVoss® and Von Duprin®. Focusing on security around the door and adjacent areas, Allegion produces a range of solutions for homes, businesses, schools and other institutions. Allegion is a \$2 billion company, with products sold in almost 130 countries. For more, visit www.allegion.com.

KRYPTONITE ■ LCN ■  ■ STEELCRAFT ■ VON DUPRIN



ALLEGION™

© 2020 Allegion
009820, Rev. 9/20
www.allegion.com/us