



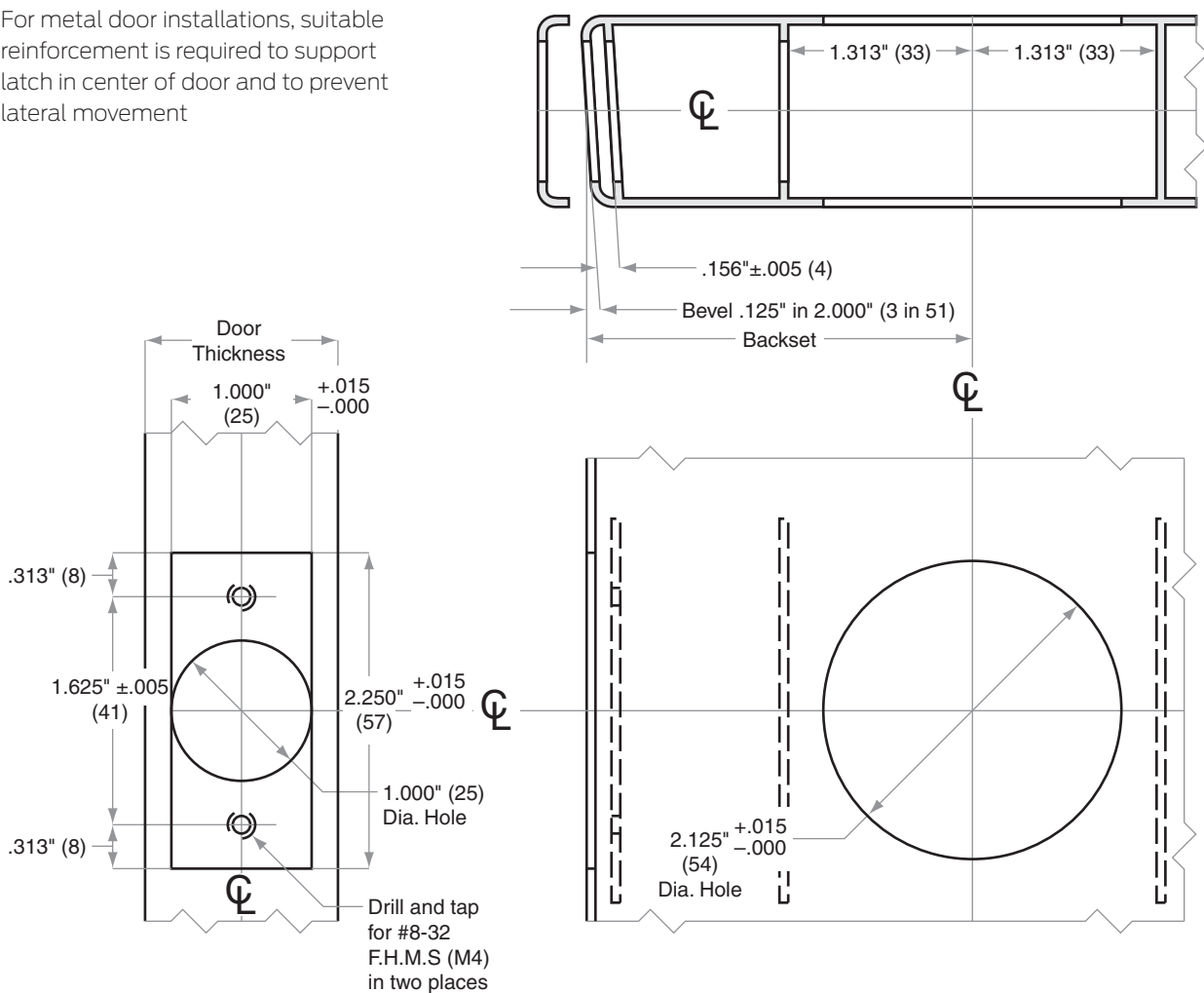
BE-Series

BE467F

Door Type: Metal, Flat or Beveled
Door Thickness: 1 $\frac{1}{8}$ " (35 mm)–1 $\frac{3}{4}$ " (44 mm)
Faceplate: Square Corner, 1" (25 mm) wide
Backsets: 2 $\frac{3}{8}$ " (60 mm), 2 $\frac{3}{4}$ " (70 mm)

Standard backset in bold.

For metal door installations, suitable reinforcement is required to support latch in center of door and to prevent lateral movement



Dimensions shown in parentheses () are in millimeters.

© 2016 Allegion
 RB118 Rev. 05/16
 www.allegion.com/us

DRAWING IS NOT TO SCALE!
Customer service: 800-847-1864
We can help you find the correct guide for your product and application!

Door preparation template

RB118