

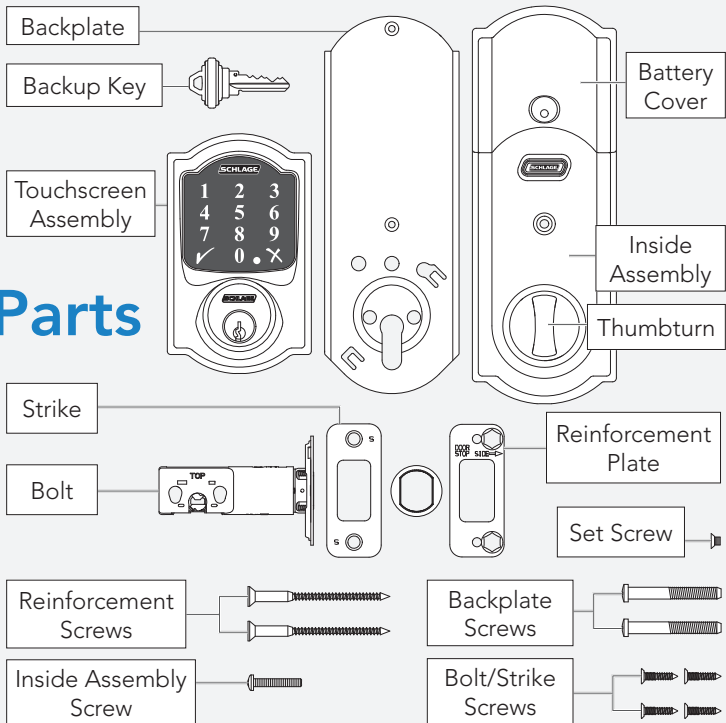


# Schlage **Connect**<sup>™</sup>

SMART DEADBOLT

Quick Start Guide

# Parts



# Interactive experience

For an improved installation experience, follow the link below or scan the QR code for online interactive instructions, warranty, and reference information.

<https://instructions.allegion.com/instr/86/2110>



# Tools



Phillips screwdriver

Don't use a power drill!

# Support



U.S.A.: 888-805-9837

Canada: 800-900-4734

Mexico: 018005067866

# step 1

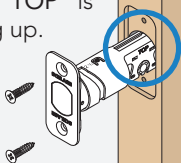
## Need Help?

See "Help with Step 1" in the online instructions. The link is on the back cover or the third page of this guide.

## Install the bolt.

You may have to adjust your bolt length. Make sure the slot in the bolt is centered in the hole.

Make sure the word "TOP" is facing up.

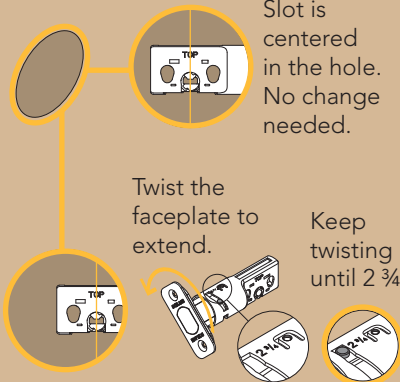


Actual Size

Slot is centered in the hole. No change needed.

Twist the faceplate to extend.

Keep twisting until  $2\frac{3}{4}$ ".



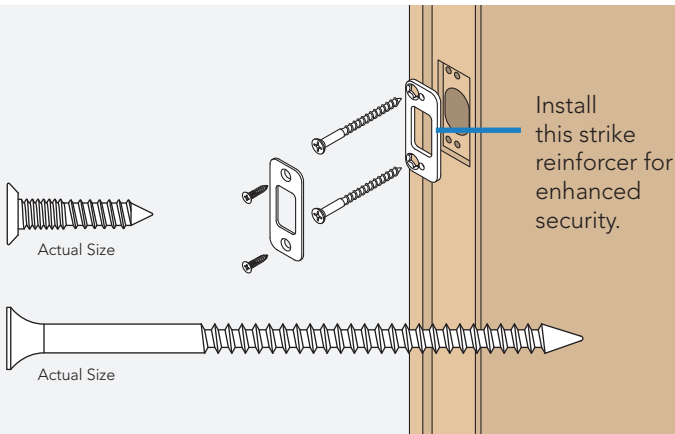
step  
**2**

## Need Help?

Trouble installing the strike reinforcer? See "Help with Step 2" in online instructions.

## Install the strike into the door frame.

If you have a window next to your door, you may not be able to use the longer wood screws to install the reinforcer.



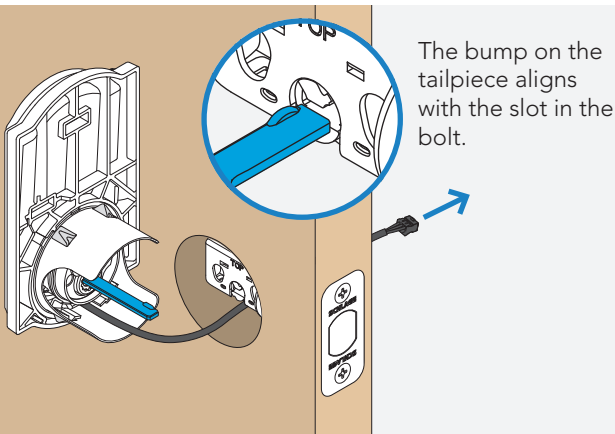
step  
**3**

Is it hard to install the touchscreen?  
Is the tailpiece not installing correctly?

If the hole through your door seems too small, you may need to remove the spacer. See the online instructions.

## Install the touchscreen.

Route the cable through the door **BELOW** the bolt. Align the tailpiece as shown and push the touchscreen onto the door.



step  
**4**



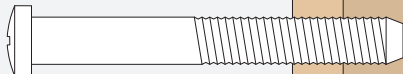
Phillips screwdriver

Don't use a power drill!

You may damage your lock!

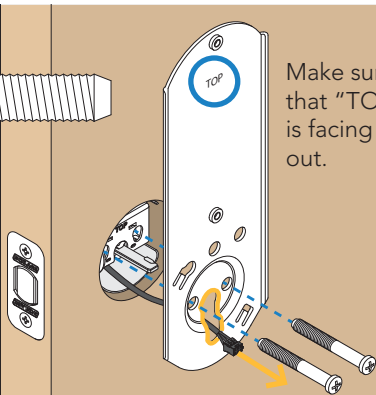
## Install the inside backplate.

Route the cable below the bolt and through the hole on the bottom of the backplate. Secure the backplate with screws.



Actual Size (2)

Hold the touchscreen on the outside of the door while you tighten the screws.

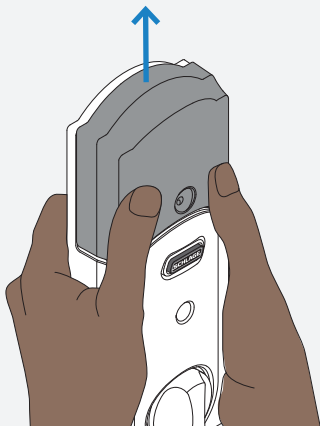


Make sure that "TOP" is facing out.



step  
**5**

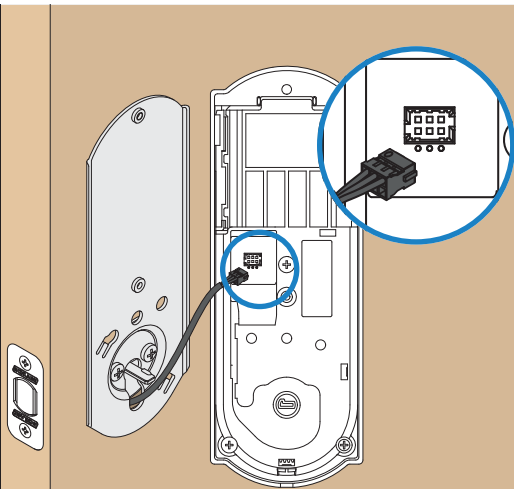
Take off the battery cover.



step  
6

Connect the cable.

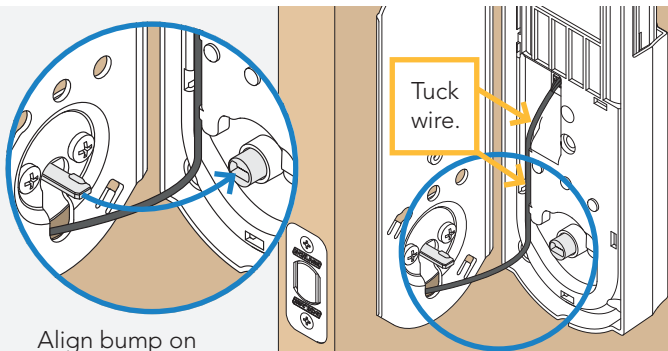
The connector fits  
only one way.



step  
7

## Secure the lock to the door.

If the bump on the tailpiece doesn't align with the slot in the back of the inside assembly, make sure your thumbturn is vertical (up and down). Tuck the wire into the channel.



Align bump on  
tailpiece with notch.

step  
8



Phillips screwdriver

Don't use a power drill!

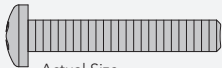
You may damage your lock!

## Install the screws.

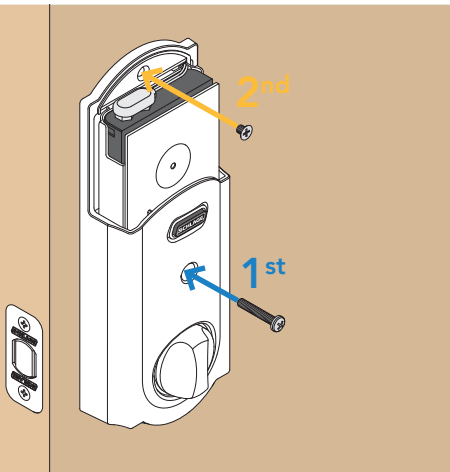
Install the lower screw first.



Actual Size

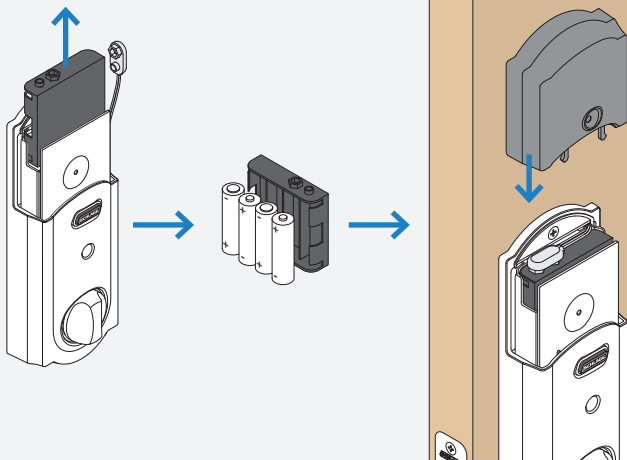


Actual Size



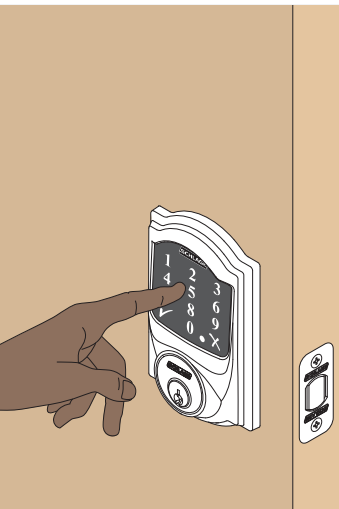
step  
9

Install batteries and slide the cover on.



step  
**10**

## Set up your lock.



1. Open your door!
2. Enter one of the two default user codes.  
The codes are located on the back of this guide and on the back of the inside assembly. You need to remove the inside assembly to see the label.
3. Your lock will enter a setup routine.

When the bolt stops moving, setup is complete.

step  
**11**

### Need Help?

If the bolt doesn't extend or retract during testing, see the online instructions and make sure spindle is aligned properly.

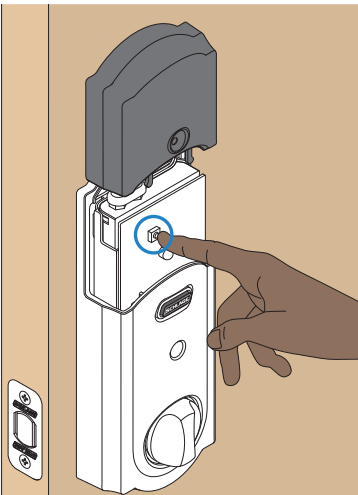
## Test your lock.

1. Close your door.
2. Extend and retract the bolt using the inside thumbturn.
3. Make sure the bolt retracts smoothly. If it doesn't your door and frame may not be aligned.
4. Open your door.
5. Extend the bolt using the inside thumbturn.
6. Now enter a user code at the touchscreen to check that the bolt retracts.

# step 12

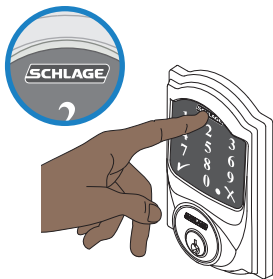
## Enroll your lock.

1. Place your smart home system or panel into enrollment mode (see documentation for that device for details).
  2. Remove the battery cover.
  3. Press then release button.
  4. A yellow flashing light indicates enrollment is in progress.
  5. A solid green light indicates successful enrollment.
- ⓘ A red light indicates an enrollment issue, try repeating steps 1-3.



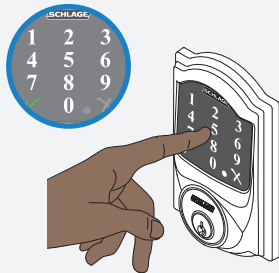


# Lock and unlock



To lock your door just tap the **SCHLAGE** logo.

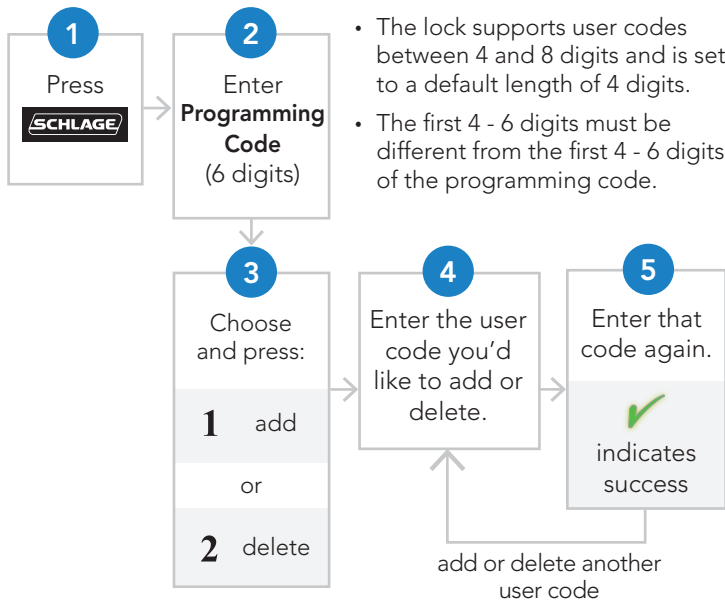
You can also lock your door by entering a user code while the door is closed or by turning the thumbturn toward the door edge.



To unlock your door enter a user code.


You can also unlock your door from inside by turning the thumbturn away from the door edge.

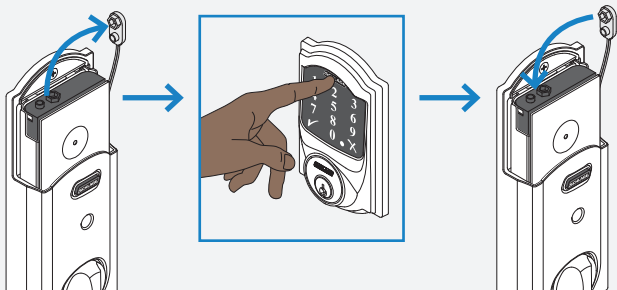
# Add and delete codes



# Factory default reset

If you have forgotten your programming code, you can restore the default codes. If you want to move the lock to a different door, you need to restore default settings. Move the lock to the new door, and then set it up again.

1. Disconnect your batteries.
2. Press and hold down the  logo. While you are pushing the logo, reconnect your batteries.
3. Test your lock with one of your default codes, located on the back of this guide.



Now set up your lock, see:

step  
**10**

# Save this guide!

PLACE LABEL  
HERE

PLACE LABEL  
HERE



Access step-by-step  
instructions and help.

[https://instructions.  
allegion.com/  
instr/86/2110](https://instructions.allegion.com/instr/86/2110)



**ALLEGION**

© Allegion 2018  
Printed in U.S.A.  
P518-669 Rev. 06/18-b



P518-669