

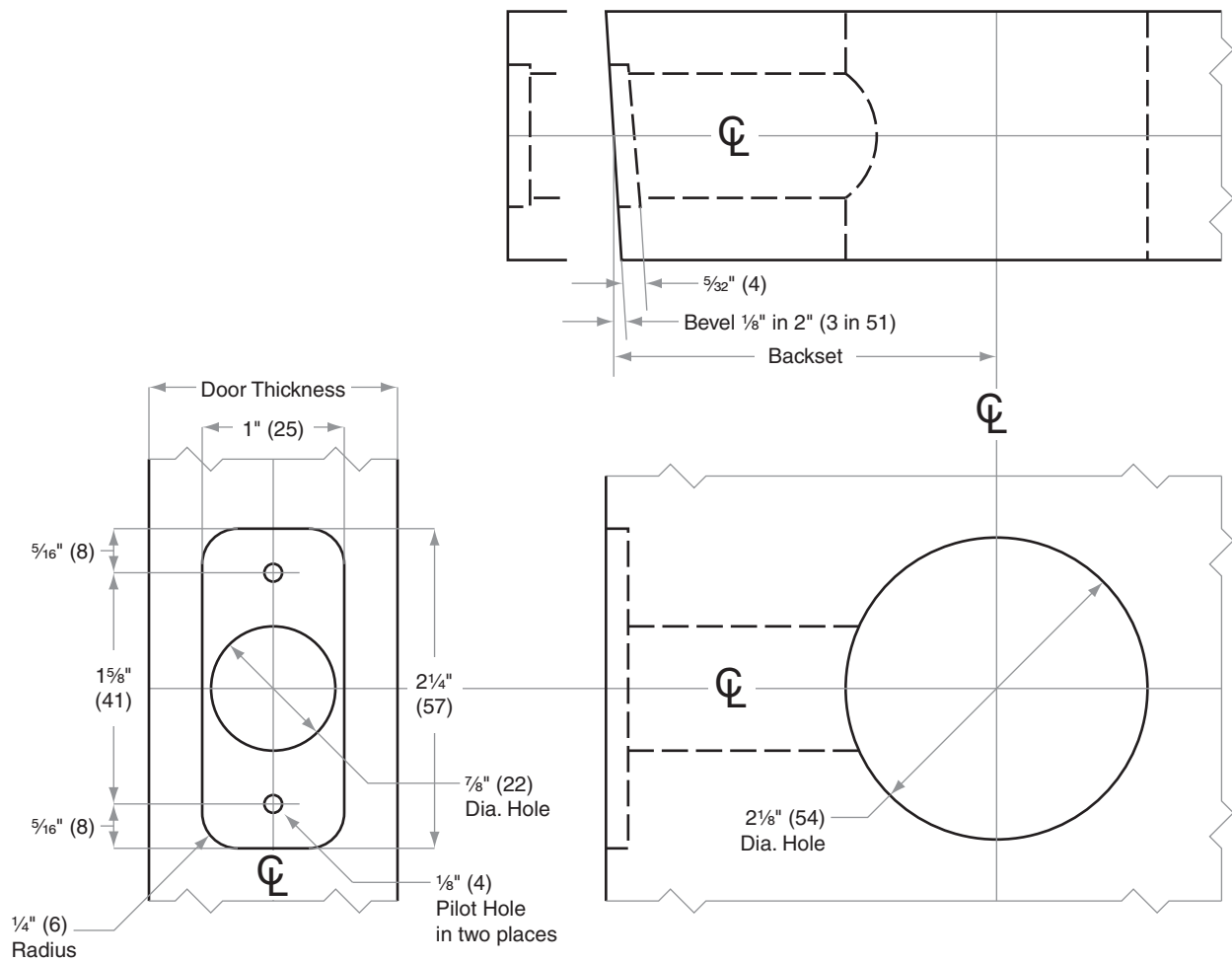


F-Series

F10-F80

Door Type: Wood or Composite, Flat or Beveled
 Door Thickness: 1 $\frac{3}{8}$ " (35 mm)–1 $\frac{3}{4}$ " (44 mm)
 Faceplate: Round Corner, $\frac{1}{4}$ " (6 mm) Radius, 1" (25 mm) wide
 Backsets: 2 $\frac{3}{8}$ " (60 mm), 2 $\frac{3}{4}$ " (70 mm), 5" (127 mm)

Standard backset in bold.



Dimensions shown in parentheses () are in millimeters.

DRAWING IS NOT TO SCALE!

Customer service: 888-805-9837

We can help you find the correct guide for your product and application!

© 2018 Allegion
 RF103 Rev. 03/18
www.allegion.com/us

Door preparation guide

RF103