

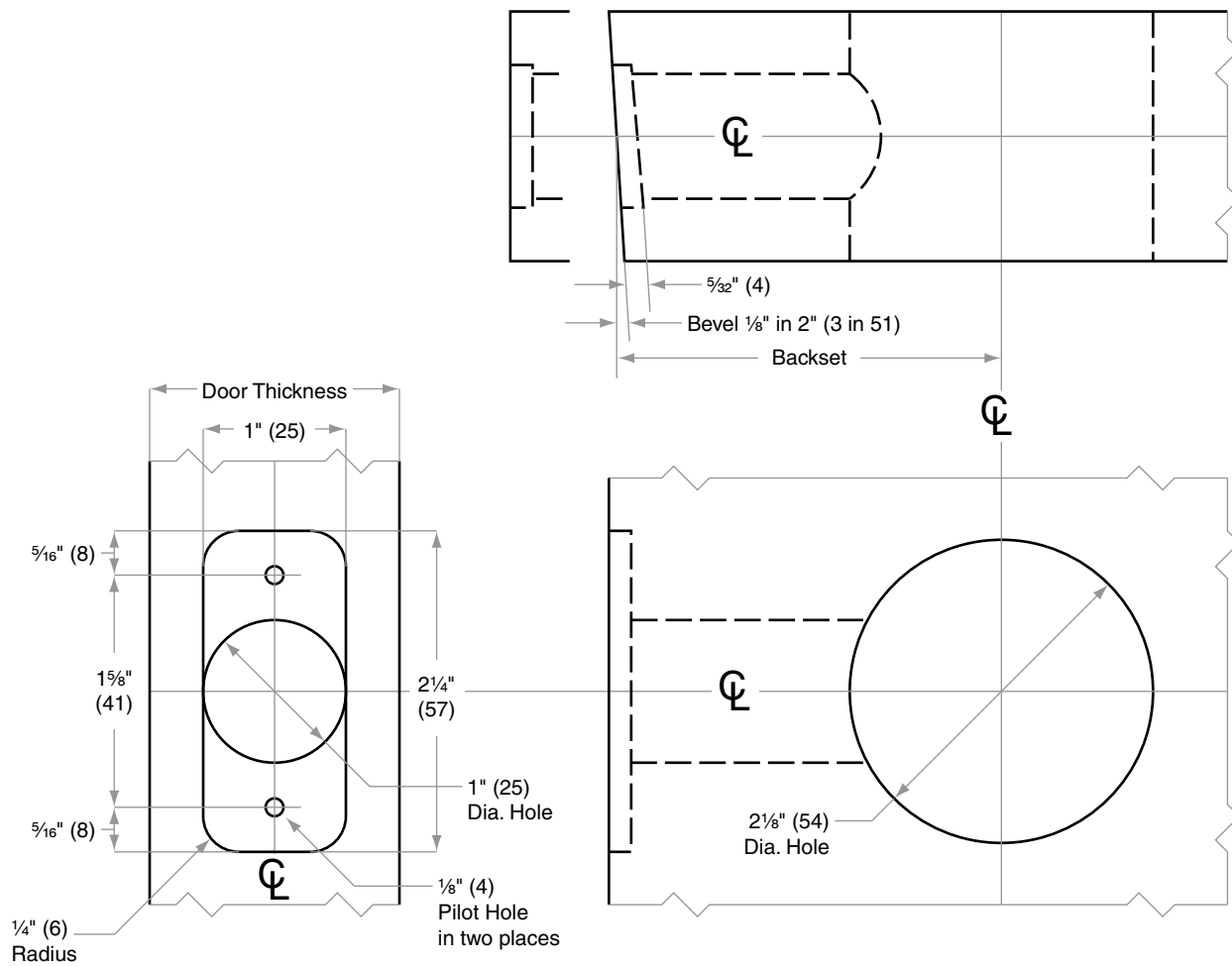


# FC-Series

## FC21

Door Type: Wood or Composite, Flat or Beveled  
 Door Thickness:  $1\frac{3}{8}$ " (35 mm)– $1\frac{3}{4}$ " (44 mm)  
 Faceplate: Round Corner,  $\frac{1}{4}$ " (6 mm) Radius, 1" (25 mm) wide  
 Backsets:  $2\frac{3}{8}$ " (60 mm),  $2\frac{3}{4}$ " (70 mm)

Standard backset in bold.



Dimensions shown in parentheses ( ) are in millimeters.

**DRAWING IS NOT TO SCALE!**  
 Customer service: 888-805-9837  
 We can help you find the correct guide for your product and application!

Door preparation guide

# RFC103