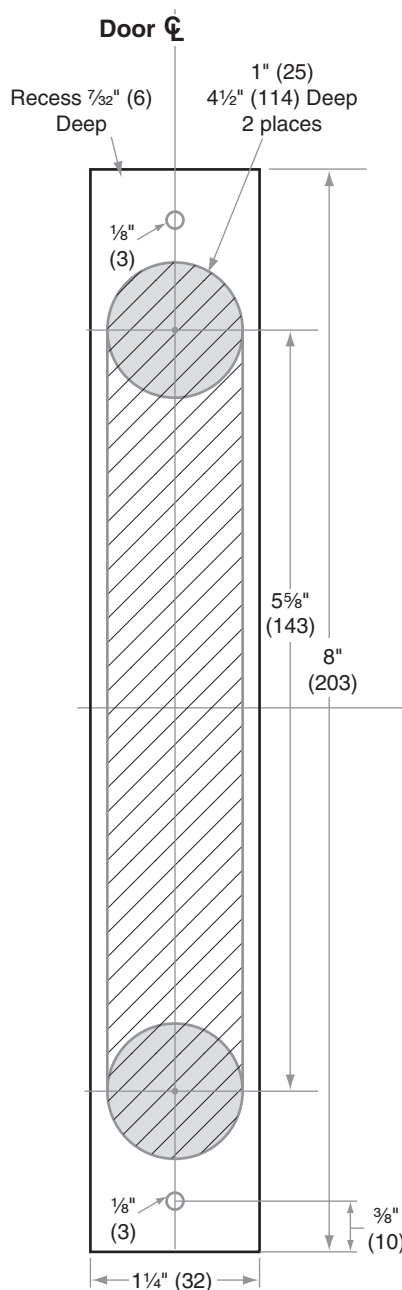




HL-Series Hospital Latch

Model HL6-9000 Mortise

Door Type: Wood or Composite, Flat or Beveled
 Door Thickness: 1 3/4" (44 mm)
 Faceplate: Square Corner, 1 1/8" (29 mm) wide
 Backsets: 2 3/4" (70 mm)

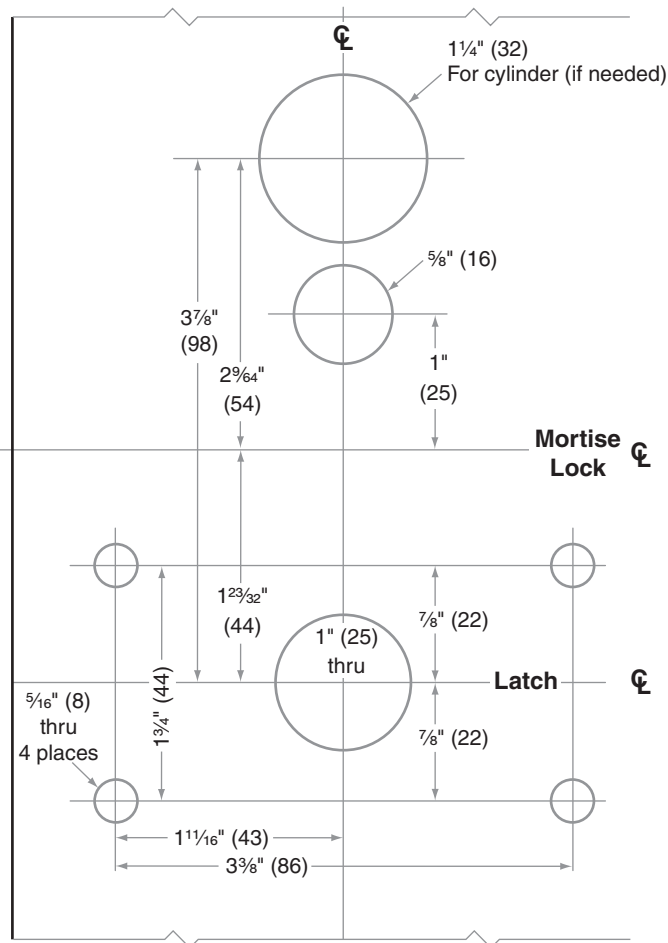


NOTES:

When cylinder application is used, paddle on key side may be mounted in down (vertical) or horizontal position.

Refer to L9000 template number L1 for strike offset dimension and for additional door prep needed for Lead Lining installation.

Horizontal placement



39 15/16" (101.4 cm)
From finished floor recommended

Dimensions shown in parentheses () are in millimeters.

Door preparation template