

SCHLAGE

ND-Series

Service manual



Contents

5 Introduction

5 Lock assembly drawing index

6 Changes and additions

7 Lock assembly drawing index

13 Chassis

14 Passage latch

15 Passage latch with request-to-exit

16 Exit lock

17 Exit lock with request-to-exit

18 Exit lock— Electrically locked (fail safe) or electrically unlocked (fail secure)

19 Exit lock— Electrically locked (fail safe) or electrically unlocked (fail secure) with request-to-exit

20 Single dummy trim

21 Exit lock with blank plate

22 Special— classroom exit lock

23 Special— storeroom exit lock

24 Patio, bath/bedroom privacy and hospital privacy lock

25 Time out lock with Vandlgard®

26 Entrance/office and entrance lock

27 Vestibule lock

28 Store lock

29 Classroom lock

30 Special— classroom by storeroom lock

31 Special— communicating lock

32 Special— communicating lock with Vandlgard®

33 Corridor lock

34 Classroom security lock

35 Storeroom lock

36 Storeroom lock with request-to-exit

37 Storeroom lock— Electrically locked (fail safe) or electrically unlocked (fail safe)

38 Storeroom lock— Electrically locked (fail safe) or electrically unlocked (fail secure) with request-to-exit

39 Institution lock

40 Faculty restroom lock

41 Entrance/office and entrance lock with Vandlgard®

42 Vestibule lock with Vandlgard®

43 Classroom lock with Vandlgard®

44 Classroom security lock with Vandlgard®

45 Storeroom lock with Vandlgard®

46 Storeroom lock with Vandlgard® with request to exit

47 Storeroom lock with Vandlgard®— Electrically locked (fail safe) or electrically unlocked (fail secure)

48 Storeroom lock with Vandlgard®— Electrically locked (fail safe) or electrically unlocked (fail secure) with request-to-exit

49 Corridor lock with Vandlgard®

51 Trim assemblies

52 Passage latch

53 Passage latch with request-to-exit

54 Exit lock

55 Exit lock with request-to-exit

56 Exit lock—electrically locked (fail safe) or electrically unlocked (fail secure)

57 Exit lock— electrically locked (fail safe) or electrically unlocked (fail secure) with request-to-exit

58 Single dummy trim

59 Exit lock with blank plate

60 Special—classroom exit lock

61 Special—storeroom exit lock

62 Special—patio lock

63 Bath/bedroom privacy lock

64 Hospital privacy lock

65 Time out lock with Vandlgard®

66 Entrance/office lock

67 Entrance/office lock

68 Vestibule lock

69 Special—ND60 with closed outside lever

70 Store lock

71 Classroom lock

72 Special—classroom by storeroom lock

73 Special—communicating lock

74 Special—communicating lock with Vandlgard®

75 Corridor lock

76 Classroom security lock

77 Storeroom lock

78 Storeroom lock with request-to-exit

79 Storeroom lock— electrically locked (fail safe) or electrically unlocked (fail secure)

80 Storeroom lock—electrically locked (fail safe) or electrically unlocked (fail secure) with request-to-exit

81 Institution lock

82 Faculty restroom lock

83 Entrance/office lock with Vandlgard®

84 Entrance lock with Vandlgard®

85 Vestibule with Vandlgard®

86 Classroom lock with Vandlgard®

87 Classroom security lock with Vandlgard®

88 Storeroom lock with Vandlgard®

89 Storeroom lock with Vandlgard® with request-to-exit

90 Storeroom lock with Vandlgard®— electrically locked (fail safe) or electrically unlocked (fail secure)

91 Storeroom lock with Vandlgard®—electrically locked (fail secure) or electrically unlocked (fail secure) with request-to-exit

92 Corridor lock with Vandlgard®

93 Conversion

- 93 Lever conversion
- 93 Button and plunger assembly conversion
- 94 Spring cage conversion

95 Parts and kits

- 95 Conversion kits
- 96 Levers
- 96 Tactile warning
- 97 Roses
- 98 Full size IC and SFIC (small format interchangeable core) configurations
- 99 Cylinders
- 100 Competitor cylinder options
- 101 Latches
- 101 Strikes
- 102 Screws, screw packs and special parts
- 103 Installation tools and kits

105 Electrified locks

- 105 ND-Series EL, electrically locked (fail safe)
- 105 Allegion Connect

106 Request-to-exit feature

107 Finishes

- 107 Finish codes and descriptions

107 Ordering procedures

108 Limited warranty

Introduction

This manual contains a complete listing of ND-Series (Grade 1) cylindrical lock parts and assemblies manufactured by the Schlage Lock Company. This edition lists components of ND-Series locks manufactured after February, 2017.

This manual provides exploded views of each lock chassis and trim assembly with an accompanying chart to identify parts for replacement purposes, along with lock trim ordering procedures, general cylinder information, and all auxiliary components of the ND-Series cylindrical locks.

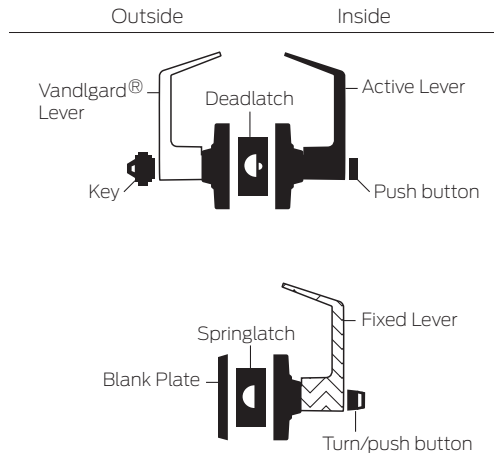
Standard Features*	
Certifications	Exceeds BHMA A156.2 requirements for Grade 1 cylindrical locks. Exceeds BHMA A156.25 requirements for indoor electrified locks. UL10C listed for 3-hour fire doors up to 4'0" x 10'0" Meets Florida Building Code (ASTM E330, E1886, E1996) and Miami-Dade (TAS 201, 202, 203) requirements for hurricanes.
Latch	1½" x 2¼", Square corner faceplate, 1" housing diameter, ½" throw
Strike	1¼" x 4⅞", ANSI, Square corner, no box
Backset	2¾"
Cylinder	6-Pin solid brass, keyed 6-pin, S123 keyway, keyed different (KD)**
Door Range	Standard Lock Functions: 1⅝" – 2⅛"; Vandlgard® Lock Functions: 1⅝" – 2⅛"; ND85 Function: 1¾" – 2"
Keys	Two nickel silver cut keys per lock, 6-pin, S123 section**

* Locks are furnished with standard features unless otherwise specified.

** Items specified in C keyway will be furnished with cylinder keyed 5-pin and with 5-pin keys unless otherwise specified.

Lock assembly drawing index


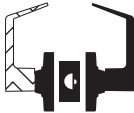






The lock assembly drawing index provides illustrations and textual descriptions of available functions. Page numbers for full trim and chassis drawings are referenced.



Changes and additions

- Deadlatch 13-047 (2¾" backset, square corner) and 13-049 (electrified deadlatch) are replaced by 13-247. Springlatch 13-048 (2¾" backset, square corner) is replaced by 13-248.
- Electrified functions ND12EL/EU, ND80EL/EU and ND96EL/EU are upgraded with an electric motor assembly replacing the solenoid and clip. Keycams N123-024 and N123-025 are replaced by keycam N223-066.
- Spring cage assembly and lever upgrades affect all spring cages, all levers, the chassis adjustment plate, interior buttons and plunger assemblies.
- New component and assembly part numbers are indicated with a "✦" symbol and highlighted in gray throughout this manual.
- For detailed lists of original and new parts and assemblies, and kits for lock conversion, refer to **Conversion** on page **93** and **Parts and kits** on page **95**.





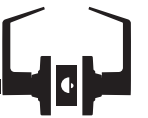




Lock assembly drawing index

Function		ANSI/BHMA A156.2, 2011, Series 4000, Grade 1			Trim	Chassis	
Schlage	ANSI	Description	Outside function		Inside function	Page	Page
ND10	F75	Passage latch	Lever is always unlocked.		Lever is always unlocked and is always free for immediate egress. With available request-to-exit (RX) feature.	52	14
ND12	F89	Exit lock	Lever is always fixed.		Lever is always unlocked and is always free for immediate egress. With available request-to-exit (RX) feature.	54 55	16 17
ND12EL		Exit lock—electrically locked (fail safe)	Lever is continuously locked electrically until unlocked by switch or power failure. Auxiliary latch deadlocks latchbolt when door is closed.		Lever is always unlocked and is always free for immediate egress. With available request-to-exit (RX) feature.	56 57	18 19
ND12EU		Exit lock—electrically unlocked (fail secure)	Lever is continuously locked mechanically until unlocked by electric current. Auxiliary latch deadlocks latchbolt when door is closed.		Lever is always unlocked and is always free for immediate egress. With available request-to-exit (RX) feature.	56 57	18 19
ND170		Single dummy trim	Inactive trim for one side of door. Use for door pull or as matching inactive trim.			58	20
ND25	F89	Exit lock with blank plate	Blank plate.		Inside lever is always unlocked and is always free for immediate egress.	59	21
ND25 x 70		Classroom exit lock \diamond Specify per XN12-004	Blank plate.		Key locks or unlocks lever.	60	22
ND25 x 80		Storeroom exit lock \diamond Specify per XN12-005	Blank plate.		Key in fixed inside lever retracts latch.	61	23

Note: Any function with a deadlatch locks the latchbolt when door is closed. See page 5 for identification.

\diamond Caution: These locks on residences and any door in any structure which is used for egress are a life safety hazard in times of emergency and their use is not recommended. Installation should be in accordance with existing codes only.



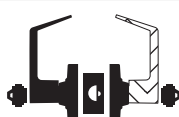


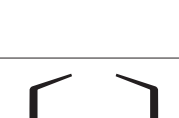

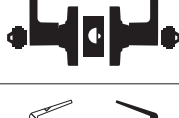
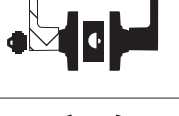

Lock assembly drawing index

Function		ANSI/BHMA A156.2, 2011, Series 4000, Grade 1			Trim	Chassis	
Schlage	ANSI	Description	Outside function		Inside function	Page	Page
ND30	F77	Patio lock Specify per XN12-007			Push-button locks outside lever. Turning inside lever or closing door releases push-button preventing lock-out. Lever is always unlocked and is always free for immediate egress.	62	24
ND40	F76	Bath/bedroom privacy lock	May be opened from outside with small screwdriver or emergency release tool.		Push-button locks outside lever. Turning inside lever or closing door releases push-button. Inside lever is always free for immediate egress.	63	24
ND44		Hospital privacy lock	Unlocked from outside by turning emergency turn-button.		Push-button locks outside lever. Turning inside lever or closing door releases push-button. Inside lever is always free for immediate egress.	64	24
ND45		Time out lock	Caretaker side: Inside lever (detention side) is locked by pushing and holding button. Inside lever is locked until button is released. Lever always retracts latch.		Detention side: Lever retracts latch unless outside (caretaker side) button is depressed. Vandlgard allows inside spindle to disengage from latch when locked.	65	25
ND50	F82	Entrance/office lock	Lever is unlocked with key or by turning inside lever, when push-button is pushed and locked on inside.		Push-button locks outside lever. Turning inside lever releases push-button. Inside lever is always free for immediate egress.	66	26
ND53	F109	Entrance lock	Push/turn button: Key retracts latch when button pushed and turned until button is manually unlocked. Push-button: Lever is unlocked with key when push-button is pushed.		Push/turn-button: Pushing and turning button locks outside lever until manually unlocked. Push-button: Pushing button locks outside lever until unlocked by key outside or by turning inside lever. Inside always free for immediate egress.	67	26
ND60	F88	Vestibule lock	Latch retracted by key when locked by key inside lever.		Inside lever is always unlocked and is always free for immediate egress. Inside key locks and unlocks outside lever.	68	27
ND60		Vestibule lock with closed outside lever Specify per XN12-001	Same as ND60 except outside lever is closed.		Same as ND60. Inside lever is always free for immediate egress.	69	27

Note: Any function with a deadlatch locks the latchbolt when door is closed. See page 5 for identification.

✦ Caution: These locks on residences and any door in any structure which is used for egress are a life safety hazard in times of emergency and their use is not recommended. Installation should be in accordance with existing codes only.



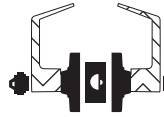
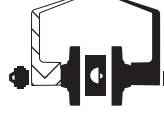
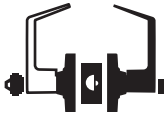


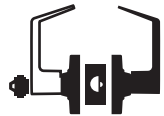
Lock assembly drawing index

Function		ANSI/BHMA A156.2, 2011, Series 4000, Grade 1			Trim	Chassis	
Schlage	ANSI	Description	Outside function		Inside function	Page	Page
ND66	F91	Store lock ✦	Key locks or unlocks both levers simultaneously.		Key locks or unlocks both levers simultaneously.	70	28
ND70	F84	Classroom lock	Outside lever locked or unlocked by key.		Inside lever is always unlocked and always free for immediate egress.	71	29
ND70 x 80		Classroom by Storeroom lock ✦ Specify per XN12-006	Outside lever locked or unlocked by key.		Key in fixed inside lever retracts latch.	72	30
ND72		Communicating lock ✦ Specify per XN12-002	Outside lever only locked or unlocked by key.		Inside lever only locked or unlocked by key.	73	31
ND72 Vandlgard®		Communicating lock with Vandlgard ✦ Specify per XN12-003	Same as ND72. Vandlgard allows outside spindle to disengage from latch when locked. Both levers are clutching.		Same as ND72. Vandlgard allows inside spindle to disengage from latch when locked. Inside lever is always free for immediate egress.	74	32
ND73	F90	Corridor lock	Locked or unlocked by outside key. When locked by key it can only be unlocked by key. Push-button locks from inside.		Push-button locks outside lever. Turning lever or closing door releases button. Inside lever is always unlocked and is always free for immediate egress.	75	33
ND75	F110	Classroom security lock	Outside lever locked or unlocked by key in either lever.		Key locks or unlocks outside lever. Inside lever is always unlocked and is always free for immediate egress.	76	34
ND80	F86	Storeroom lock	Lever is fixed. Entrance by key only.		Inside lever is always unlocked and is always free for immediate egress. With available request-to-exit (RX) feature.	77 78	35 36
ND80EL		Storeroom lock—electrically locked (fail safe)	Lever is continuously locked electrically. Unlocked by key outside or by switch or power failure. When locked, key retracts latch. Auxiliary latch deadlocks latchbolt when door is closed.		Inside lever is always unlocked and is always free for immediate egress. With available request-to-exit (RX) feature.	79 80	37 38

Note: Any function with a deadlatch locks the latchbolt when door is closed. See page 5 for identification.

✦ Caution: These locks on residences and any door in any structure which is used for egress are a life safety hazard in times of emergency and their use is not recommended. Installation should be in accordance with existing codes only.



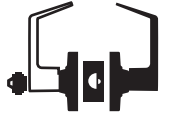
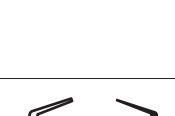


Lock assembly drawing index

Function		ANSI/BHMA A156.2, 2011, Series 4000, Grade 1			Trim	Chassis	
Schlage	ANSI	Description	Outside function		Inside function	Page	Page
ND80EU		Storeroom lock—electrically unlocked (Fail secure)	Lever is continuously locked until unlocked by key outside or by electric current. When locked, key retracts latch. Auxiliary latch deadlocks latchbolt when door is closed.		Inside lever is always unlocked and is always free for immediate egress. With available request-to-exit (RX) feature.	79 80	37 38
ND82	F87	Institution lock ↗	Lever is fixed. Entrance by key only.		Lever is fixed. Exit by key only.	81	39
ND85		Faculty restroom lock	Lever is fixed. Entrance by key only.		Push-button activates occupancy indicator, allowing only emergency master key to operate. Turning lever or closing door releases occupancy indicator. Rotation of spanner-button by spanner key provides lock-out feature by keeping indicator thrown. Inside lever is always free for immediate egress.	82	40
ND91	F82	Entrance/office lock with Vandgard	Lever is unlocked with key when push-button is pushed. Vandgard allows outside spindle to disengage from latch when locked.		Push-button disengages outside lever. Turning inside lever or outside key releases push-button. Inside lever is always free for immediate egress.	83	41
ND92	F109	Entrance lock with Vandgard	When turn/push-button is pushed and turned, key retracts latch. When push-button is pushed, lever is unlocked with key. Vandgard allows outside spindle to disengage from latch when locked.		Turn/push-button: Pushing and turning button disengages outside lever until manually unlocked. Push-button: Pushing button disengages outside lever until unlocked by turning inside lever or by key outside. Inside always free for immediate egress.	84	41
ND93	F88	Vestibule lock with Vandgard	Latch retracted by key when locked by inside key. Key locks and unlocks lever. Vandgard allows outside spindle to disengage from latch when locked.		Outside lever is disengaged by key inside. Inside lever is always unlocked and is always free for immediate egress.	85	42
ND94	F84	Classroom lock with Vandgard	Outside lever disengaged or unlocked by key. Vandgard allows outside spindle to disengage from latch when locked.		Inside lever is always unlocked and is always free for immediate egress.	86	43

Note: Any function with a deadlatch locks the latchbolt when door is closed. See page 5 for identification.

⚠ Caution: These locks on residences and any door in any structure which is used for egress are a life safety hazard in times of emergency and their use is not recommended. Installation should be in accordance with existing codes only.

Lock assembly drawing index

Function		ANSI/BHMA A156.2, 2011, Series 4000, Grade 1			Trim	Chassis	
Schlage	ANSI	Description	Outside function		Inside function	Page	Page
ND95		Classroom security lock with Vandlgard	Outside lever locked or unlocked by key in either lever. Vandlgard allows outside spindle to disengage from latch when locked.		Key disengaged or unlocks outside lever. Inside lever is always unlocked and is always free for immediate egress.	87	44
ND96	F86	Storeroom lock with Vandlgard	Lever always disengaged. Entrance by key only. Vandlgard allows outside spindle to disengage from latch when locked.		Inside lever is always unlocked and is always free for immediate egress. With available request-to-exit (RX) feature.	88 89	45 46
ND96EL		Storeroom lock with Vandlgard — electrically locked (Fail safe)	Lever is continuously disengaged electrically. Unlocked by key or by power failure or switch. Auxiliary latch deadlocks latchbolt when door is closed. Vandlgard allows outside spindle to disengage from latch when locked.		Inside is always free for immediate egress. With available request-to-exit (RX) feature.	90 91	47 48
ND96EU		Storeroom lock with Vandlgard — electrically unlocked (Fail secure)	Lever is continuously disengaged until unlocked by key or electric current. Auxiliary latch deadlocks latchbolt when door is closed. Vandlgard allows outside spindle to disengage from latch when locked.		Inside is always free for immediate egress. With available request-to-exit (RX) feature.	90 91	47 48
ND97		Corridor lock with Vandlgard	Locked or unlocked by key. When locked by key, outside lever can only be unlocked by key. Vandlgard allows outside spindle to disengage from latch when locked.		Push-button locking. Turning lever or closing door releases button. Inside is always unlocked and free for immediate egress.	92	49

Note: Any function with a deadlatch locks the latchbolt when door is closed. See page 5 for identification.

⚠ Caution: These locks on residences and any door in any structure which is used for egress are a life safety hazard in times of emergency and their use is not recommended. Installation should be in accordance with existing codes only.

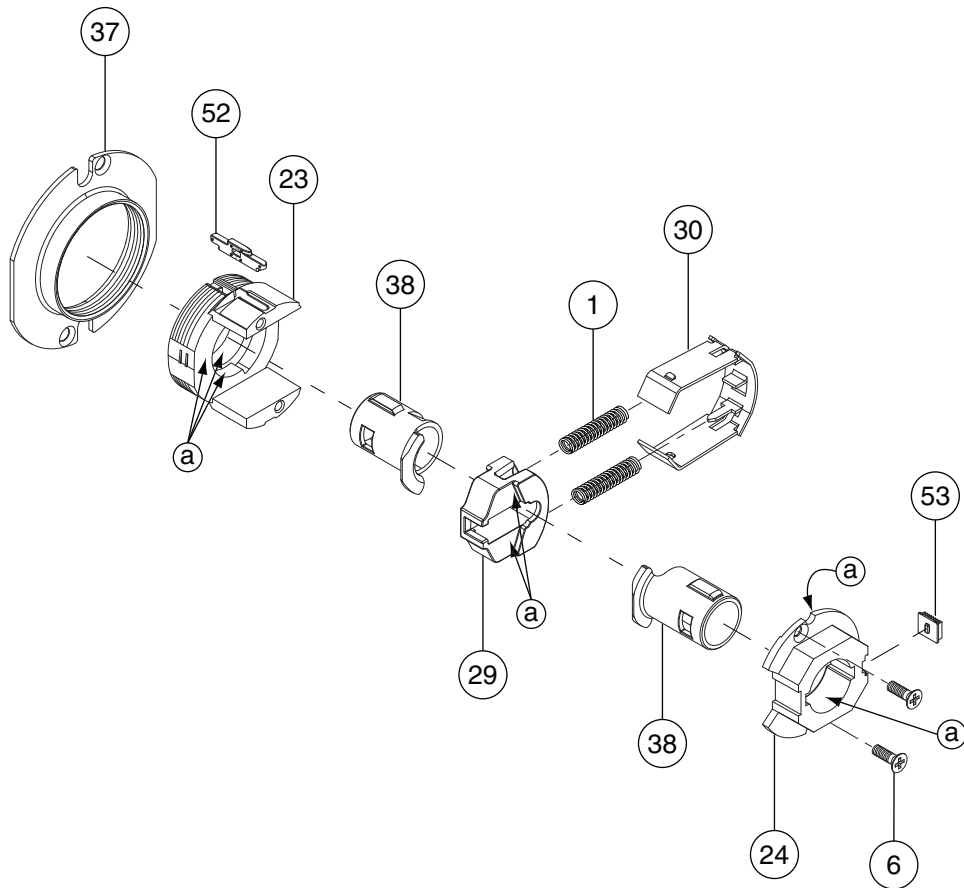
Lock assembly drawing index

Chassis

- 14 Passage latch
- 15 Passage latch with request-to-exit
- 16 Exit lock
- 17 Exit lock with request-to-exit
- 18 Exit lock— Electrically locked (fail safe) or electrically unlocked (fail secure)
- 19 Exit lock— Electrically locked (fail safe) or electrically unlocked (fail secure) with request-to-exit
- 20 Single dummy trim
- 21 Exit lock with blank plate
- 22 Special— classroom exit lock
- 23 Special— storeroom exit lock
- 24 Patio, bath/bedroom privacy and hospital privacy lock
- 25 Time out lock with Vandlgard®
- 26 Entrance/office and entrance lock
- 27 Vestibule lock
- 28 Store lock
- 29 Classroom lock
- 30 Special— classroom by storeroom lock
- 31 Special— communicating lock
- 32 Special— communicating lock with Vandlgard®
- 33 Corridor lock
- 34 Classroom security lock
- 35 Storeroom lock
- 36 Storeroom lock with request-to-exit
- 37 Storeroom lock— Electrically locked (fail safe) or electrically locked (fail safe)
- 38 Storeroom lock— Electrically locked (fail safe) or electrically unlocked (fail secure) with request-to-exit
- 39 Institution lock
- 40 Faculty restroom lock
- 41 Entrance/office and entrance lock with Vandlgard®
- 42 Vestibule lock with Vandlgard®
- 43 Classroom lock with Vandlgard®
- 44 Classroom security lock with Vandlgard®
- 45 Storeroom lock with Vandlgard®
- 46 Storeroom lock with Vandlgard® with request to exit
- 47 Storeroom lock with Vandlgard®— Electrically locked (fail safe) or electrically unlocked (fail secure)
- 48 Storeroom lock with Vandlgard®— Electrically locked (fail safe) or electrically unlocked (fail secure) with request-to-exit
- 49 Corridor lock with Vandlgard®

Passage latch

ND10



Ⓐ Apply light film of 100% synthetic grease on surfaces with brush.

No.	Description	Part number
1	Slide spring	C503-019
6	Chassis screw	L583-454
23	Outside housing	24088544
24	Inside hub	24085037
29	Slide	N523-149

No.	Description	Part number
30	Slide clip	N523-025
37	Adjustment plate	N523-054
38	Spindle	N523-177 ✦
52	Gauge insert	23988066
53	Insert, inside hub	N523-160*

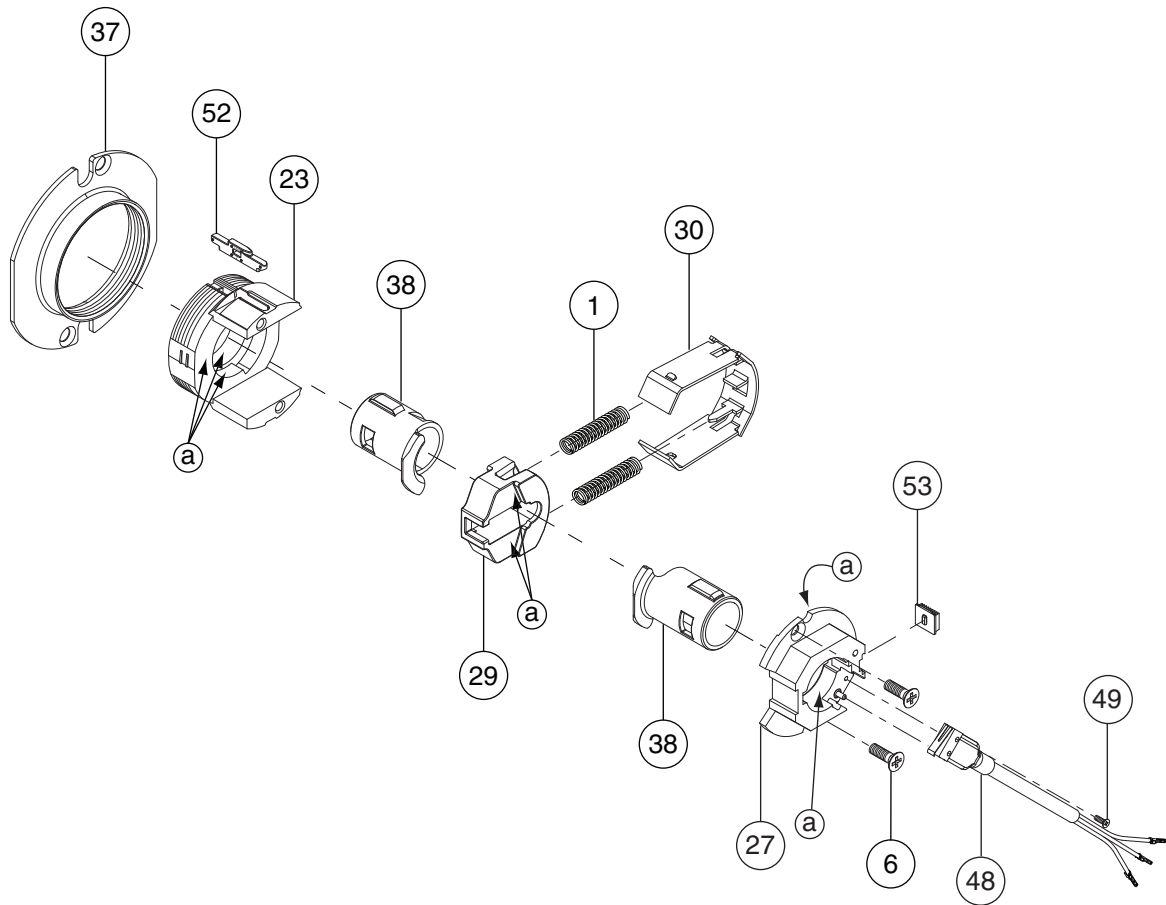
* Not sold separately as a part.

✦ Designates new parts or assemblies.

Chassis

Passage latch with request-to-exit

ND10 RX



Ⓐ Apply light film of 100% synthetic grease on surfaces with brush.

No.	Description	Part number
1	Slide spring	C503-019
6	Chassis screw	L583-454
23	Outside housing	24088544
27	Inside hub, electrified and RX	24085078
29	Slide	N523-149
30	Slide clip	N523-025

No.	Description	Part number
37	Adjustment plate	N523-054
38	Spindle	N523-177 †
48	RX harness	N523-194**
49	RX harness screw	N523-135
52	Gauge insert	23988066
53	Insert, inside hub	N523-160*

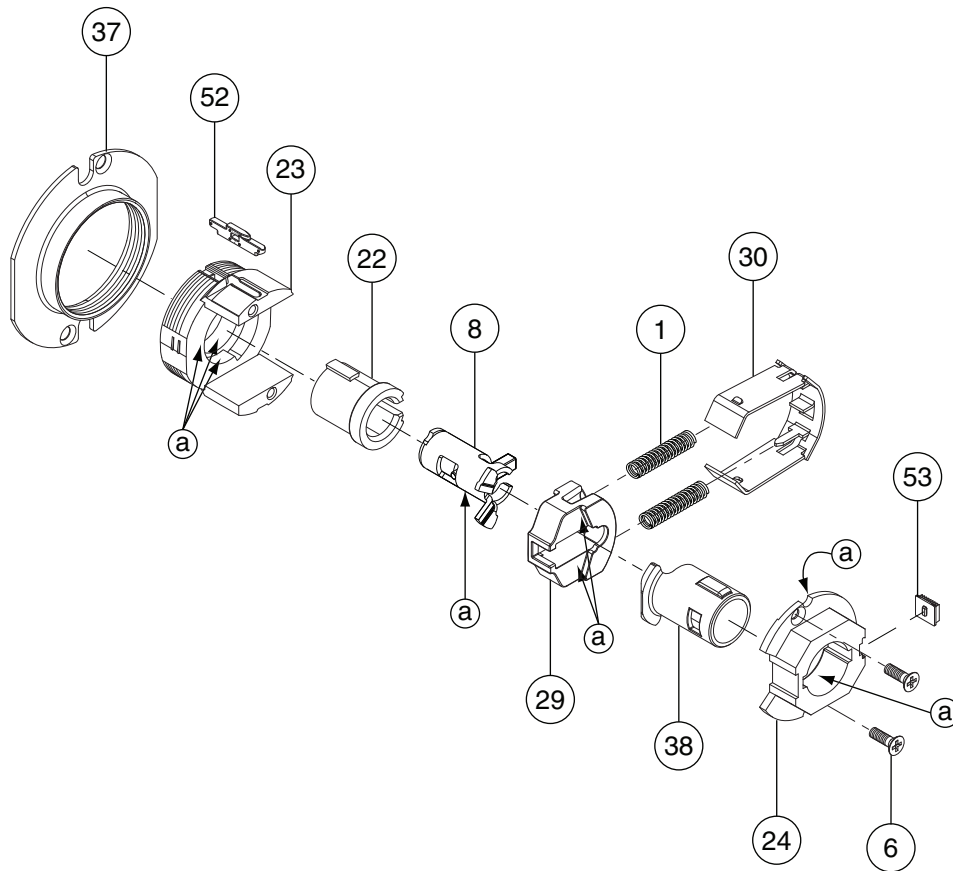
* Not sold separately as a part.

** For RX details, see **Request-to-exit feature** on page 106.

† Designates new parts or assemblies.

Exit lock

ND12



Ⓐ Apply light film of 100% synthetic grease on surfaces with brush.

No.	Description	Part number
1	Slide spring	C503-019
6	Chassis screw	L583-454
8	Keycam assembly	N123-008
22	Spindle	N523-013
23	Outside housing	24088544
24	Inside hub	24085037

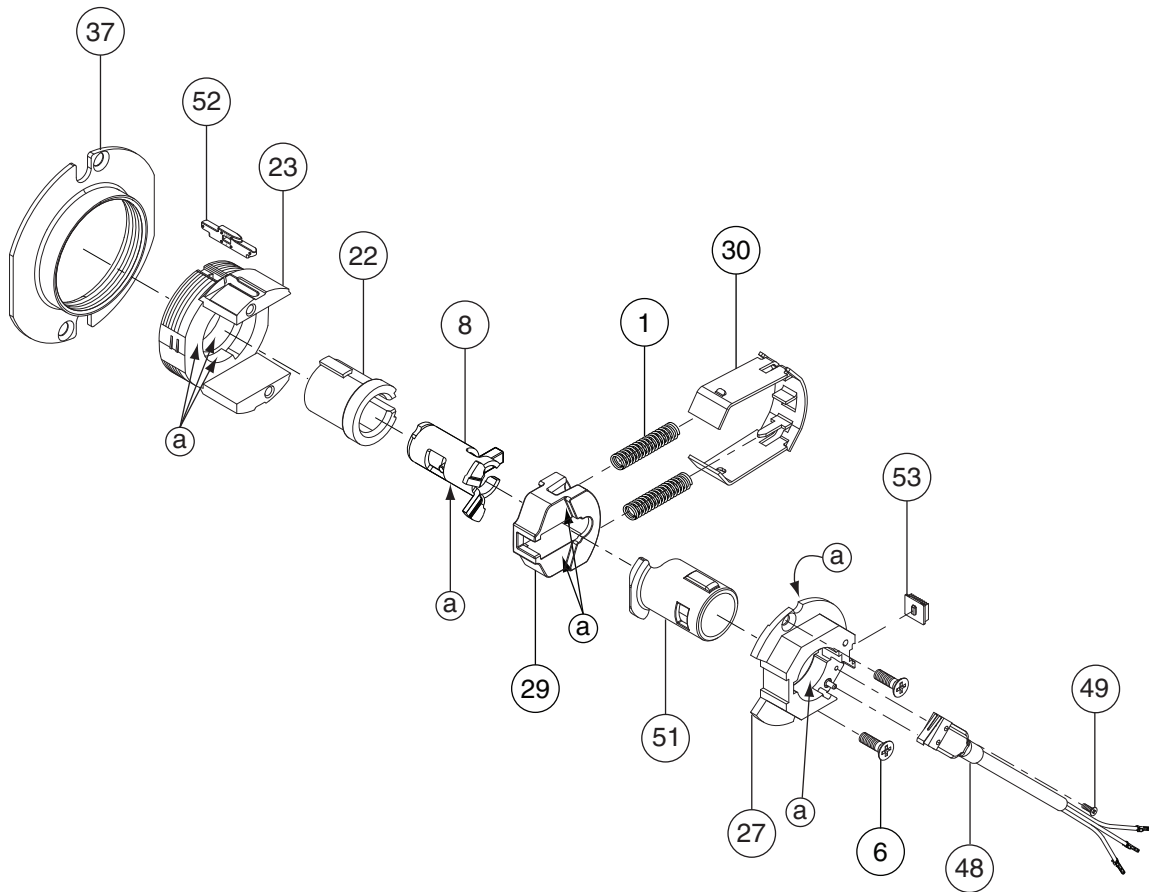
No.	Description	Part number
29	Slide	N523-149
30	Slide clip	N523-025
37	Adjustment plate	N523-054
38	Spindle	N523-177 ✦
52	Gauge insert	23988066
53	Insert, inside hub	N523-160*

* Not sold separately as a part.

✦ Designates new parts or assemblies.

Exit lock with request-to-exit

ND12 RX



(a) Apply light film of 100% synthetic grease on surfaces with brush.

No.	Description	Part number
1	Slide spring	C503-019
6	Chassis screw	L583-454
8	Keycam assembly	N123-008
22	Spindle	N523-013
23	Outside housing	24088544
27	Inside hub, electrified and RX	24085078
29	Slide	N523-149

No.	Description	Part number
30	Slide clip	N523-025
37	Adjustment plate	N523-054
48	RX harness	N523-194**
49	RX harness screw	N523-135
51	RX inside spindle	N523-177 †
52	Gauge insert	23988066
53	Insert, inside hub	N523-160*

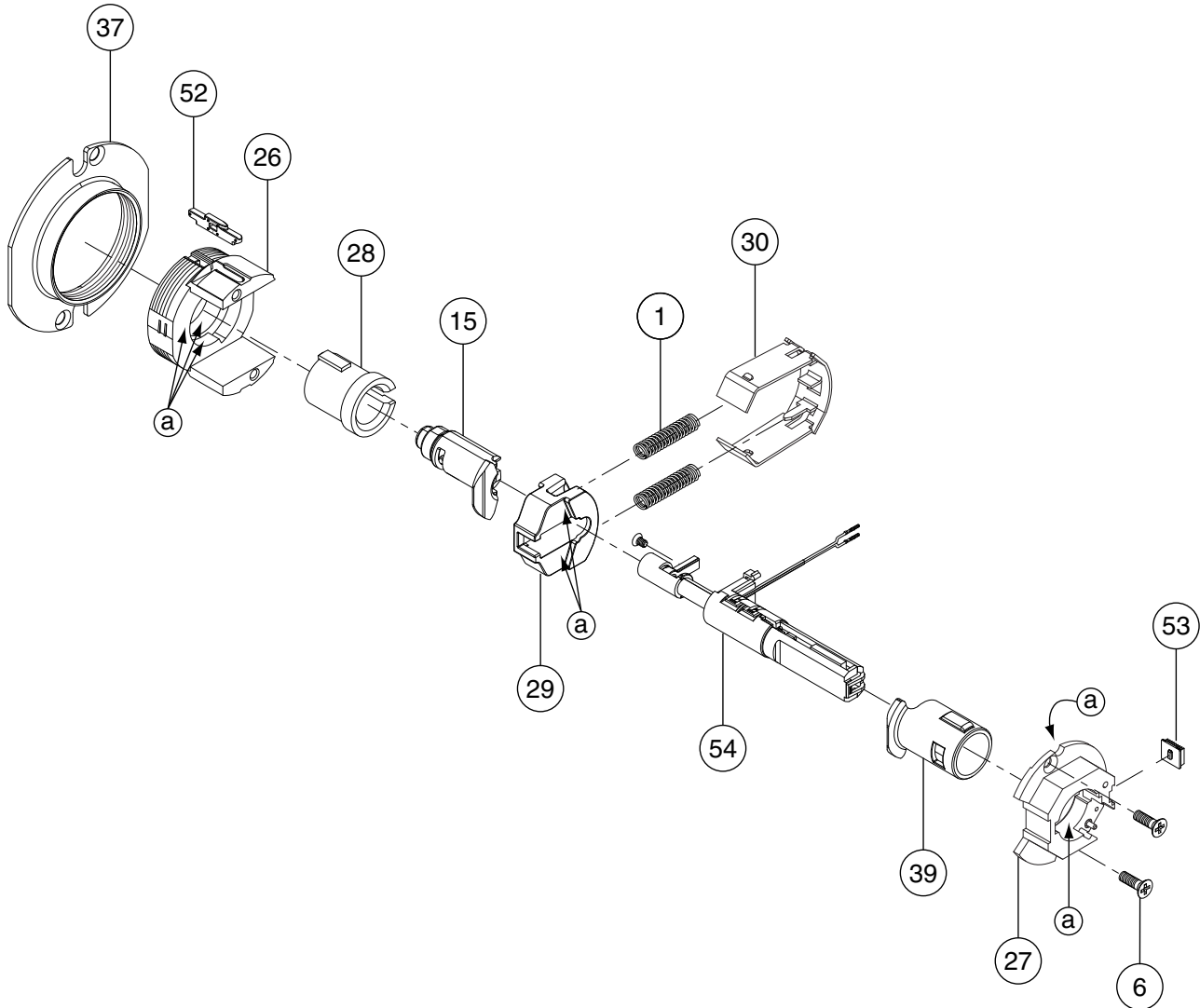
* Not sold separately as a part.

** For RX details, see **Request-to-exit feature** on page 106.

† Designates new parts or assemblies.

Exit lock— Electrically locked (fail safe) or electrically unlocked (fail secure)

ND12EL or ND12EU



(a) Apply light film of 100% synthetic grease on surfaces with brush.

No.	Description	Part number
1	Slide spring	C503-019
6	Chassis screw	L583-454
15	Electrified keycam assembly	N223-066 †
26	Outside electrified housing	24088551
27	Inside hub, electrified and RX	24085078
28	Outside electrified spindle	N523-019
29	Slide	N523-149

No.	Description	Part number
30	Slide clip	N523-025
37	Adjustment plate	N523-054
39	Inside spindle electrified	N523-177 †
52	Gauge insert	23988066
53	Insert, inside hub	N523-160 *
54	Electrified motor assembly	N223-062 ** †

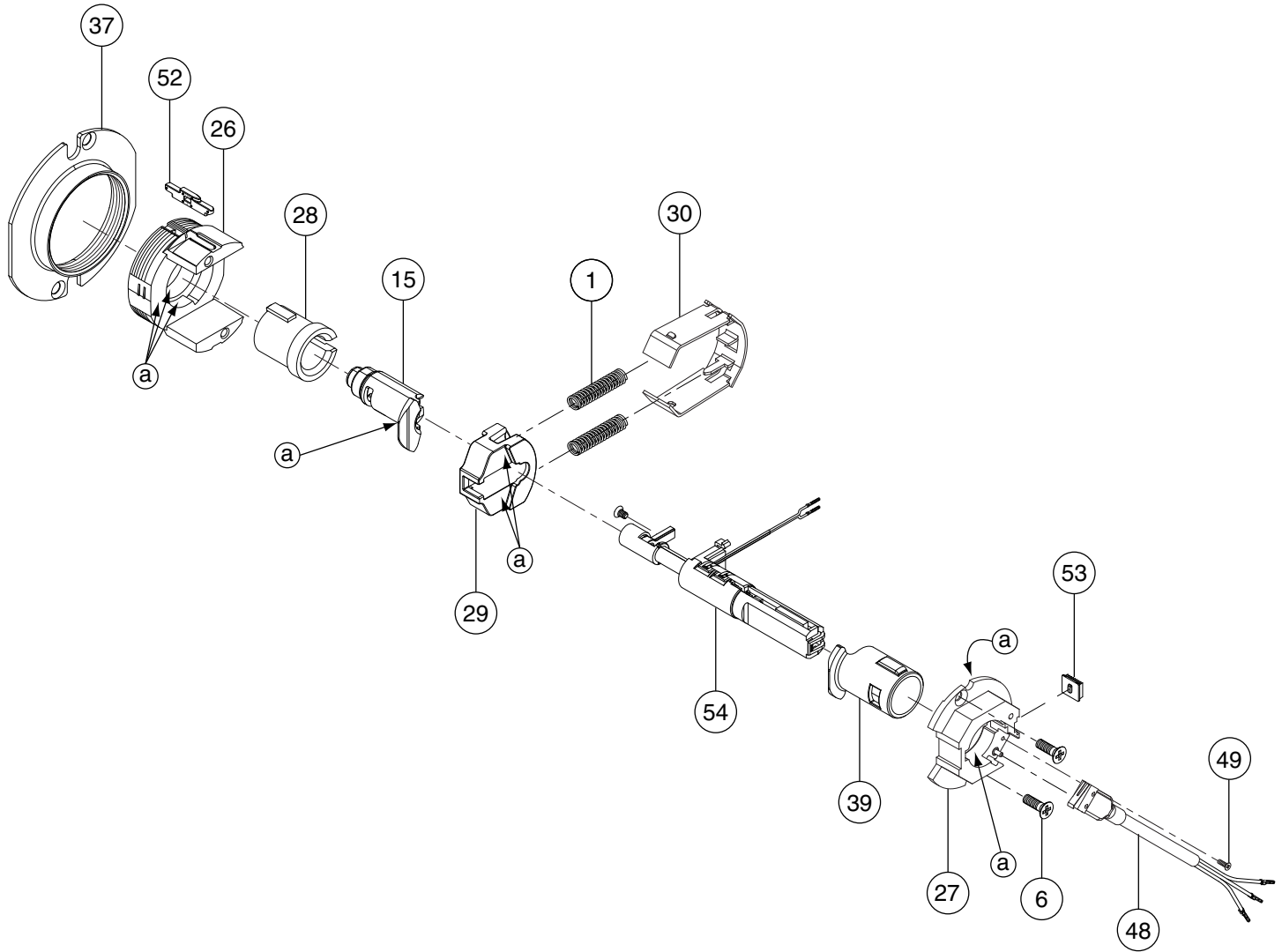
* Not sold separately as a part.

** For electrified lock details, see **Electrified locks** on page 105.

† Designates new parts or assemblies.

Exit lock— Electrically locked (fail safe) or electrically unlocked (fail secure) with request-to-exit

ND12EL RX or ND12EU RX



(a) Apply light film of 100% synthetic grease on surfaces with brush.

No.	Description	Part number
1	Slide spring	C503-019
6	Chassis screw	L583-454
15	Electrified keycam assembly	N223-066 †
26	Outside electrified housing	24088551
27	Inside hub, electrified and RX	24085078
28	Outside electrified spindle	N523-019
29	Slide	N523-149
30	Slide clip	N523-025

No.	Description	Part number
37	Adjustment plate	N523-054
39	Inside spindle electrified	N523-177 †
48	RX harness	N523-194**
49	RX harness screw	N523-135
52	Gauge insert	23988066
53	Insert, inside hub	N523-160 *
54	Electrified motor assembly	N223-062** †

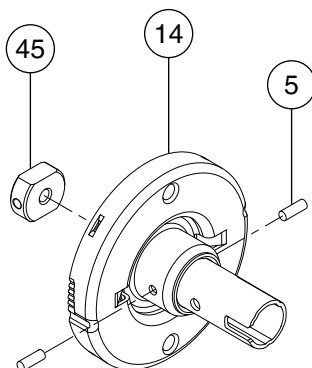
* Not sold separately as a part.

** For RX details, see **Request-to-exit feature** on page 106. For electrified lock details, see **Electrified locks** on page 105.

† Designates new parts or assemblies.

Single dummy trim

ND170



No.	Description	Part number
5	Spindle pin	C604-340*
14	Spring cage assembly	N123-019*

No.	Description	Part number
45	Dummy insert	N523-069

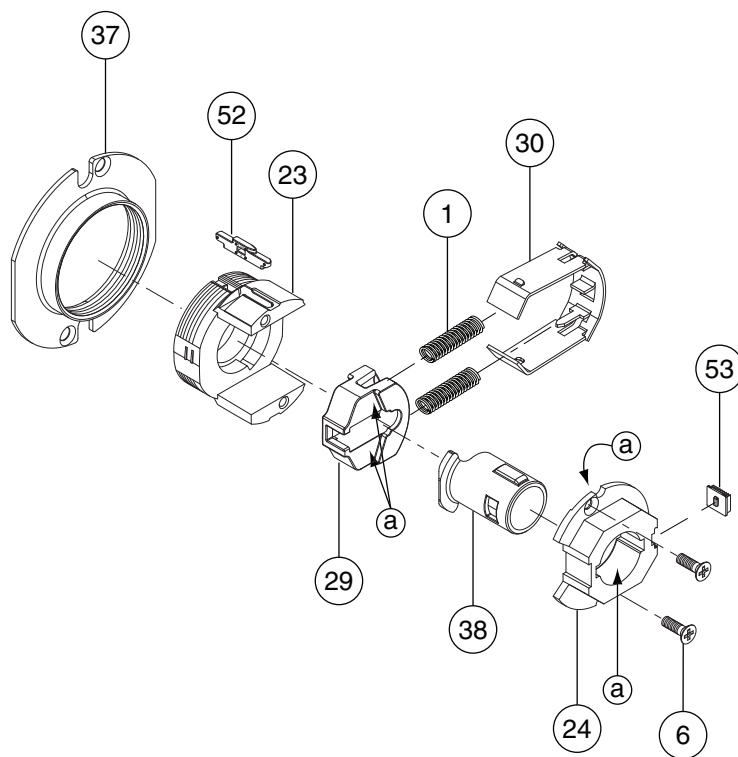
* Not sold separately as a part.

For mounting two ND170 as double trim, see page 58.

Chassis

Exit lock with blank plate

ND25



a) Apply light film of 100% synthetic grease on surfaces with brush.

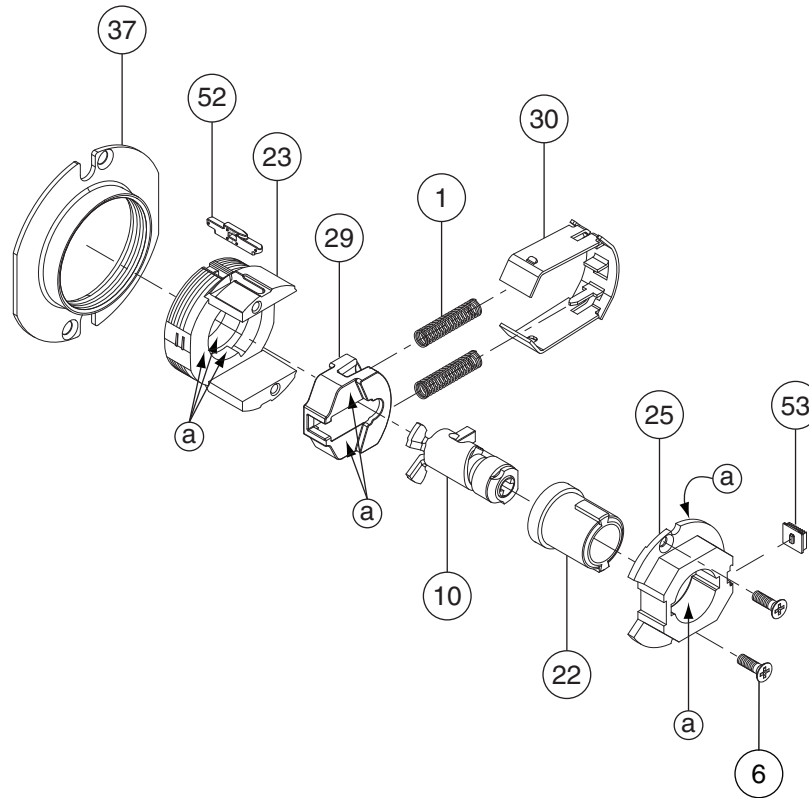
No.	Description	Part number
1	Slide spring	C503-019
6	Chassis screw	L583-454
23	Outside housing	24088544
24	Inside hub	24085037
29	Slide	N523-149

No.	Description	Part number
30	Slide clip	N523-025
37	Adjustment plate	N523-054
38	Spindle	N523-177 ✦
52	Gauge insert	23988066
53	Insert, inside hub	N523-160 *

* Not sold separately as a part.

Special— classroom exit lock

ND25X70



a Apply light film of 100% synthetic grease on surfaces with brush.

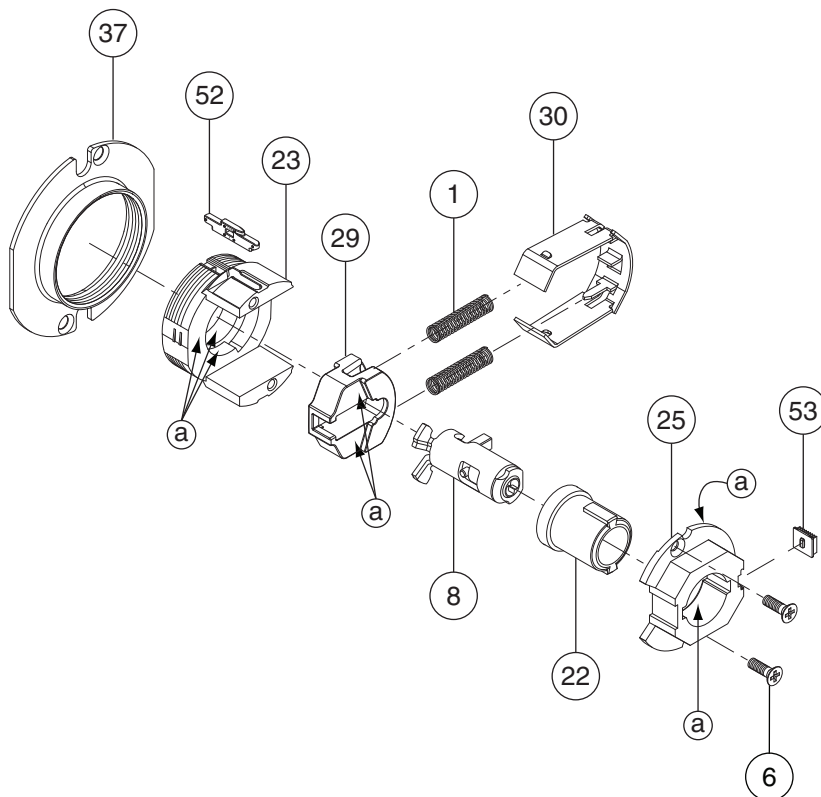
No.	Description	Part number
1	Slide spring	C503-019
6	Chassis screw	L583-454
10	Keycam assembly	N123-010
22	Spindle	N523-013
23	Outside housing	24088544
25	Inside hub	24085060

No.	Description	Part number
29	Slide	N523-149
30	Slide clip	N523-025
37	Adjustment plate	N523-054
52	Gauge insert	23988066
53	Insert, inside hub	N523-160*

* Not sold separately as a part.

Special— storeroom exit lock

ND25X80



(a) Apply light film of 100% synthetic grease on surfaces with brush.

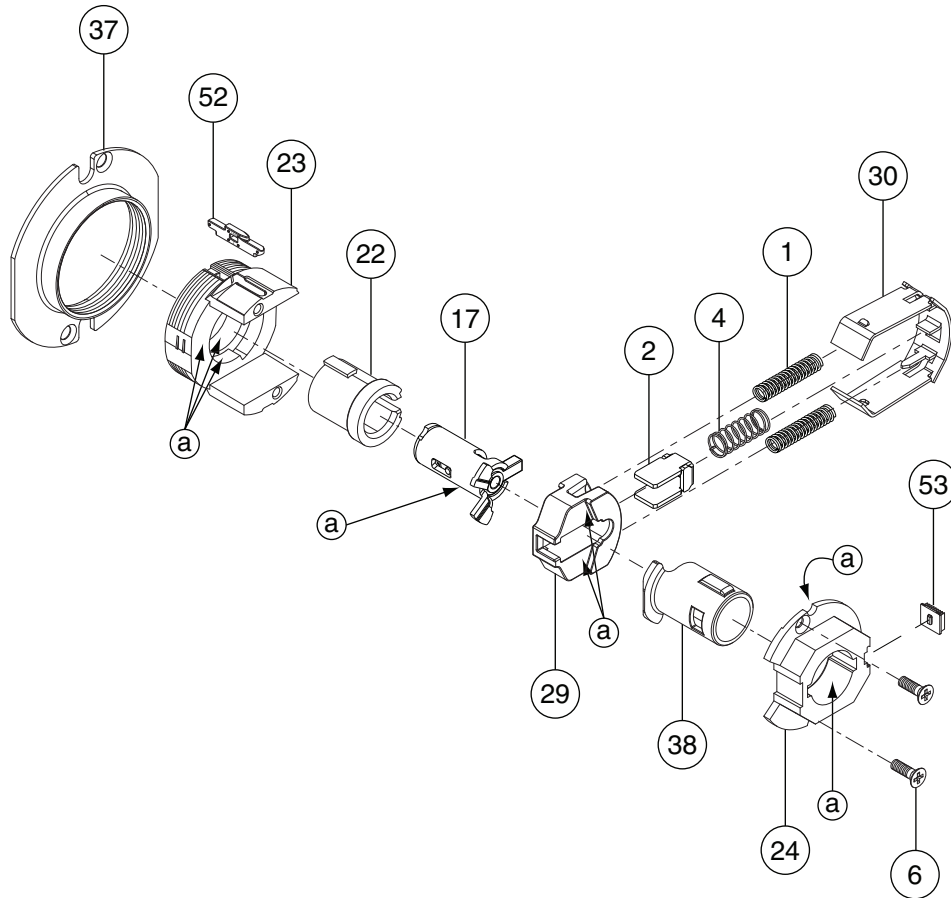
No.	Description	Part number
1	Slide spring	C503-019
6	Chassis screw	L583-454
8	Keycam assembly	N123-008
22	Spindle	N523-013
23	Outside housing	24088544
25	Inside hub	24085060

No.	Description	Part number
29	Slide	N523-149
30	Slide clip	N523-025
37	Adjustment plate	N523-054
52	Gauge insert	23988066
53	Insert, inside hub	N523-160*

* Not sold separately as a part.

Patio, bath/bedroom privacy and hospital privacy lock

ND30, ND40 and ND44



(a) Apply light film of 100% synthetic grease on surfaces with brush.

No.	Description	Part number
1	Slide spring	C503-019
2	Restoring slide catch	C604-187
4	Slide catch spring	C604-191
6	Chassis screw	L583-454
17	Keycam assembly	N123-045
22	Spindle	N523-013
23	Outside housing	24088544

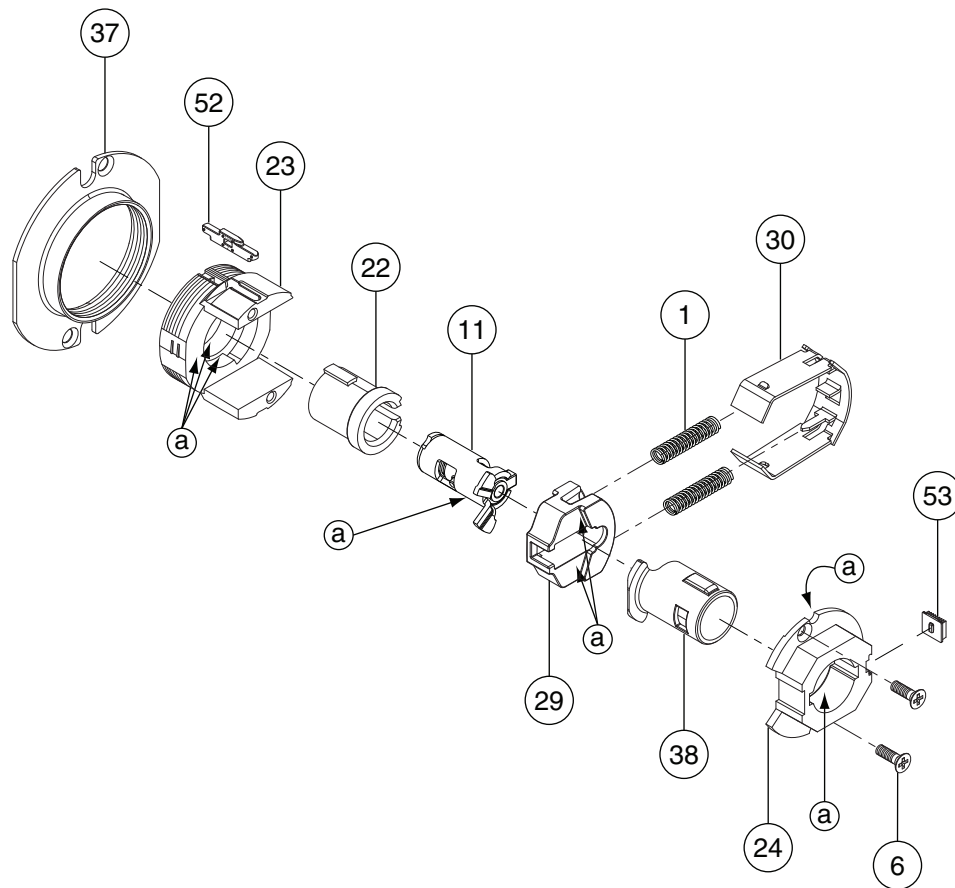
No.	Description	Part number
24	Inside hub	24085037
29	Slide	N523-149
30	Slide clip	N523-025
37	Adjustment plate	N523-054
38	Spindle	N523-177 †
52	Gauge insert	23988066
53	Insert, inside hub	N523-160 *

* Not sold separately as a part.

† Designates new parts or assemblies.

Time out lock with Vandlgard®

ND45



(a) Apply light film of 100% synthetic grease on surfaces with brush.

No.	Description	Part number
1	Slide spring	C503-019
6	Chassis screw	L583-454
11	Keycam assembly	N123-011
22	Spindle	N523-013
23	Outside housing	24088544
24	Inside hub	24085037

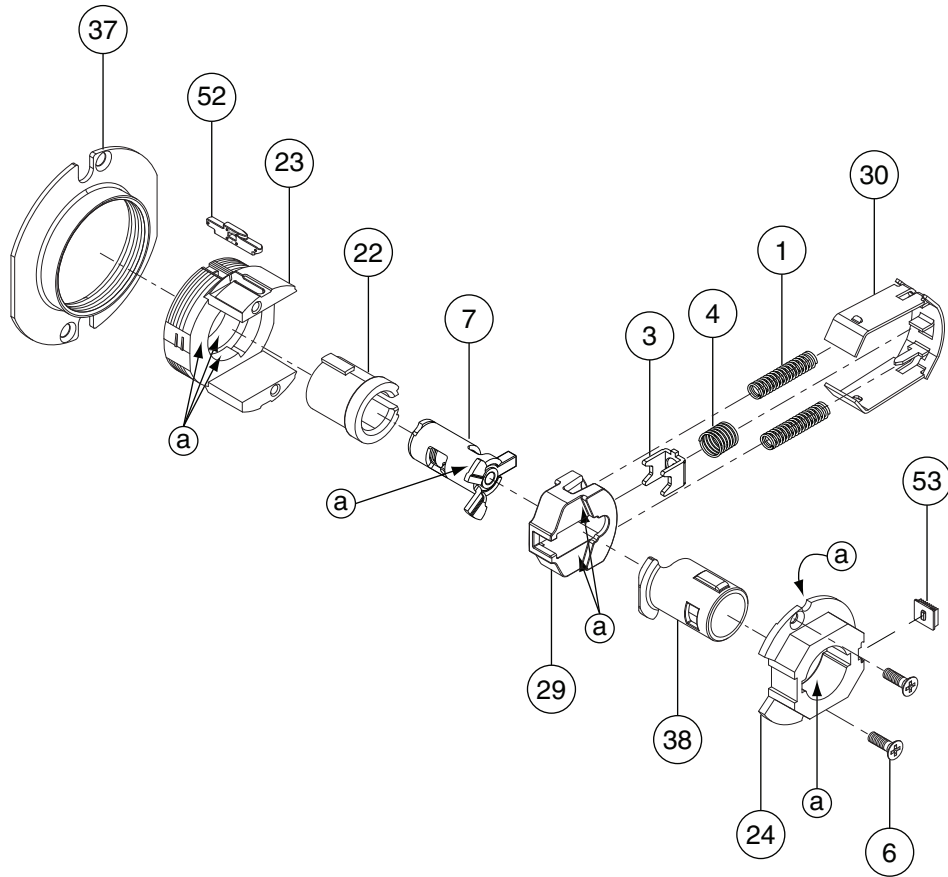
No.	Description	Part number
29	Slide	N523-149
30	Slide clip	N523-025
37	Adjustment plate	N523-054
38	Spindle	N523-177 †
52	Gauge insert	23988066
53	Insert, inside hub	N523-160 *

* Not sold separately as a part.

† Designates new parts or assemblies.

Entrance/office and entrance lock

ND50 and ND53



Ⓐ Apply light film of 100% synthetic grease on surfaces with brush.

No.	Description	Part number
1	Slide spring	C503-019
3	Slide catch	C604-188
4	Slide catch spring	C604-191
6	Chassis screw	L583-454
7	Keycam assembly	N123-007
22	Spindle	N523-013
23	Outside housing	24088544

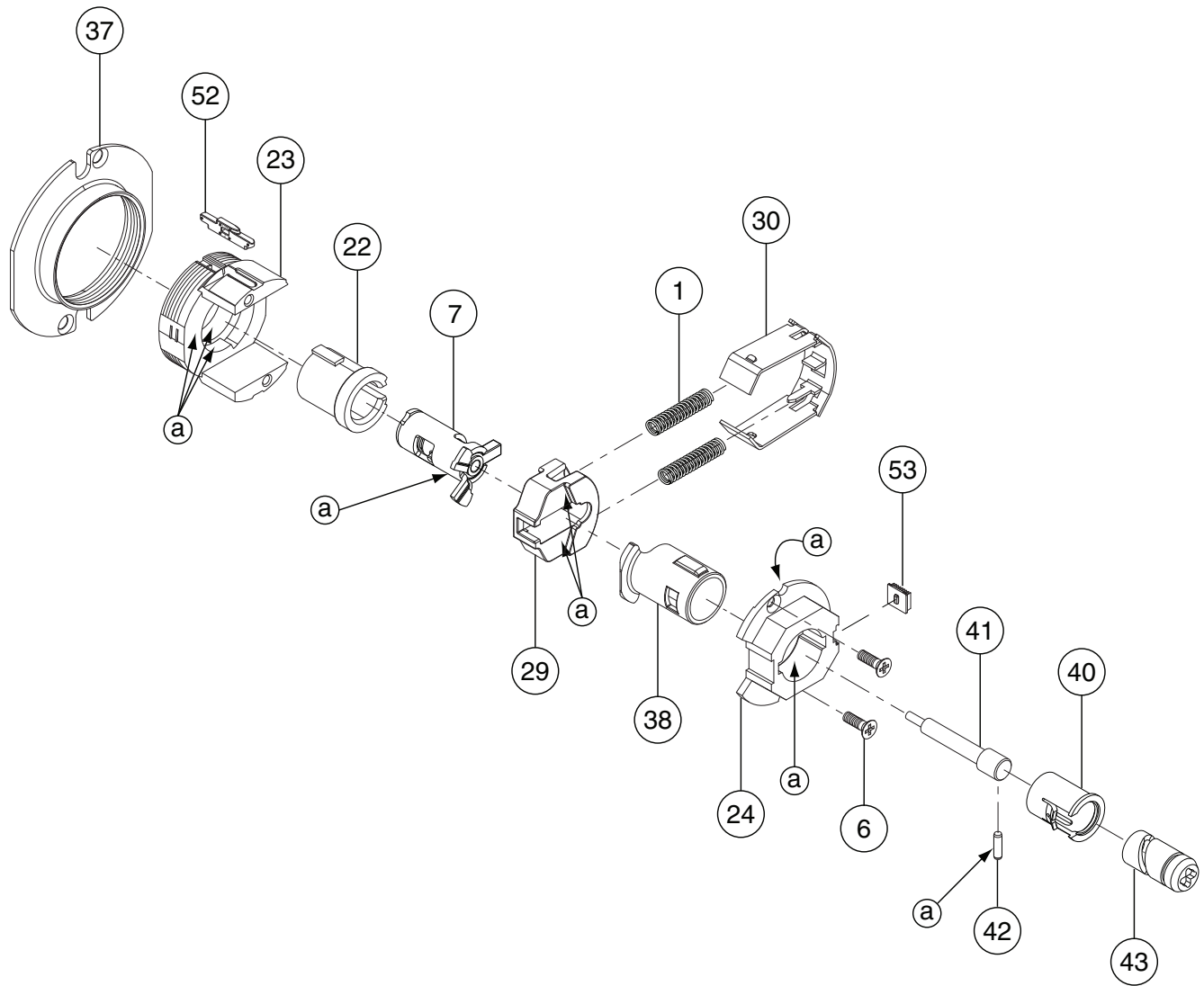
No.	Description	Part number
24	Inside hub	24085037
29	Slide	N523-149
30	Slide clip	N523-025
37	Adjustment plate	N523-054
38	Spindle	N523-177 †
52	Gauge insert	23988066
53	Insert, inside hub	N523-160*

* Not sold separately as a part.

† Designates new parts or assemblies.

Vestibule lock

ND60



Ⓐ Apply light film of 100% synthetic grease on surfaces with brush.

No.	Description	Part number
1	Slide spring	C503-019
6	Chassis screw	L583-454
7	Keycam assembly	N123-007
22	Spindle	N523-013
23	Outside housing	24088544
24	Inside hub	24085037
29	Slide	N523-149
30	Slide clip	N523-025

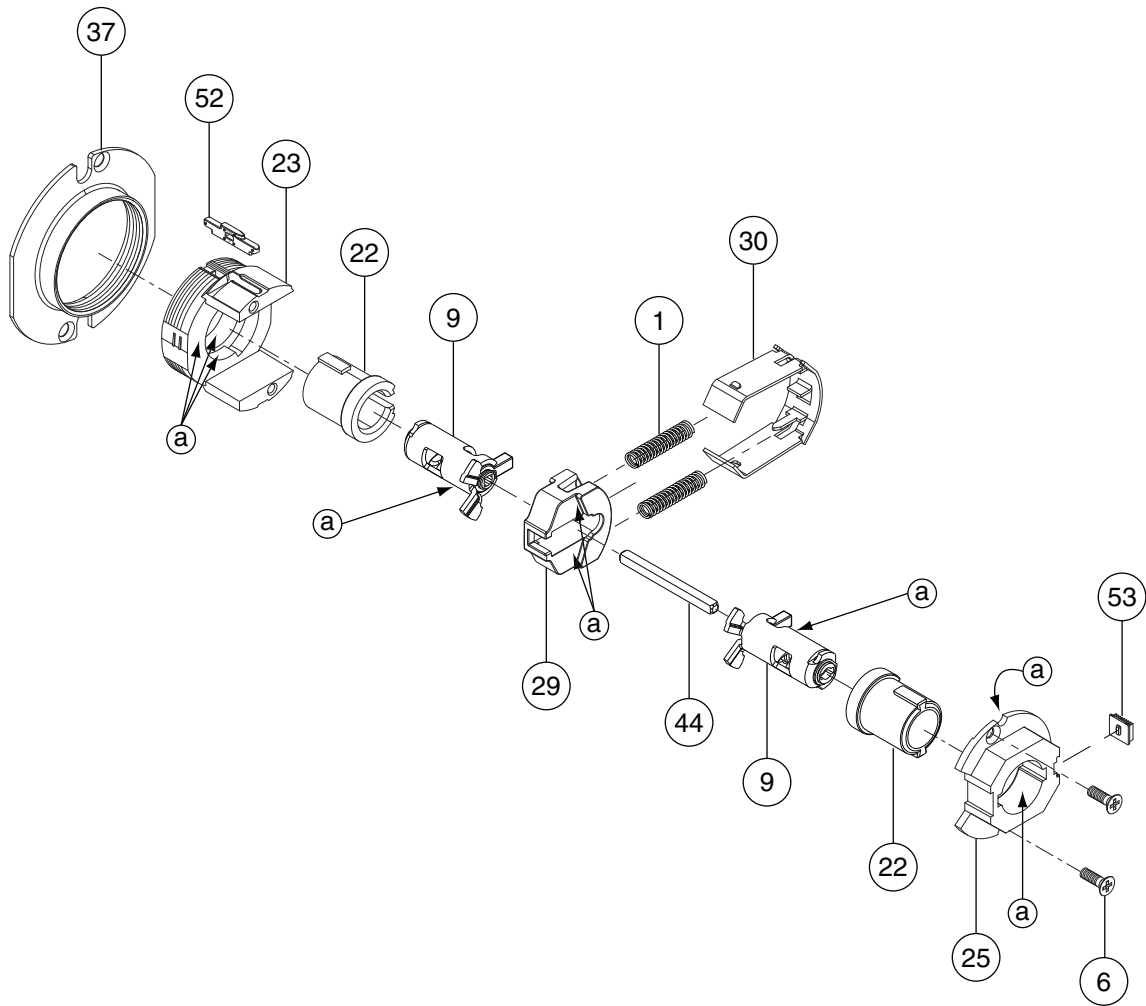
No.	Description	Part number
37	Adjustment plate	N523-054
38	Spindle	N523-177 ⚡
40	Plunger sleeve	N523-063
41	Plunger	N523-064
42	Cam pin	N523-065
43	Cam	N523-066
52	Gauge insert	23988066
53	Insert, inside hub	N523-160*

* Not sold separately as a part.

⚡ Designates new parts or assemblies.

Store lock

ND66



Ⓐ Apply light film of 100% synthetic grease on surfaces with brush.

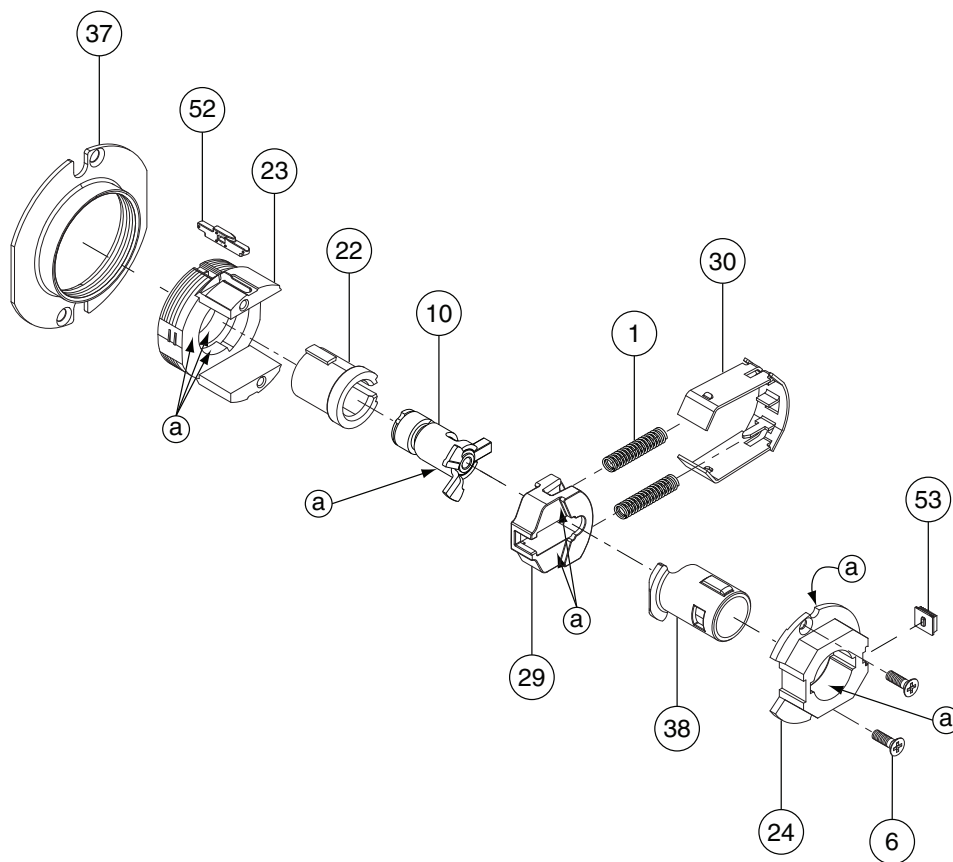
No.	Description	Part number
1	Slide spring	C503-019
6	Chassis screw	L583-454
9	Keycam assembly	N123-076
22	Spindle	N523-013
23	Outside housing	24088544
25	Inside hub	24085060

No.	Description	Part number
29	Slide	N523-149
30	Slide clip	N523-025
37	Adjustment plate	N523-054
44	Plunger bar	N523-067
52	Gauge insert	23988066
53	Insert, inside hub	N523-160*

* Not sold separately as a part.

Classroom lock

ND70



Ⓐ Apply light film of 100% synthetic grease on surfaces with brush.

No.	Description	Part number
1	Slide spring	C503-019
6	Chassis screw	L583-454
10	Keycam assembly	NI23-010
22	Spindle	N523-013
23	Outside housing	24088544
24	Inside hub	24085037

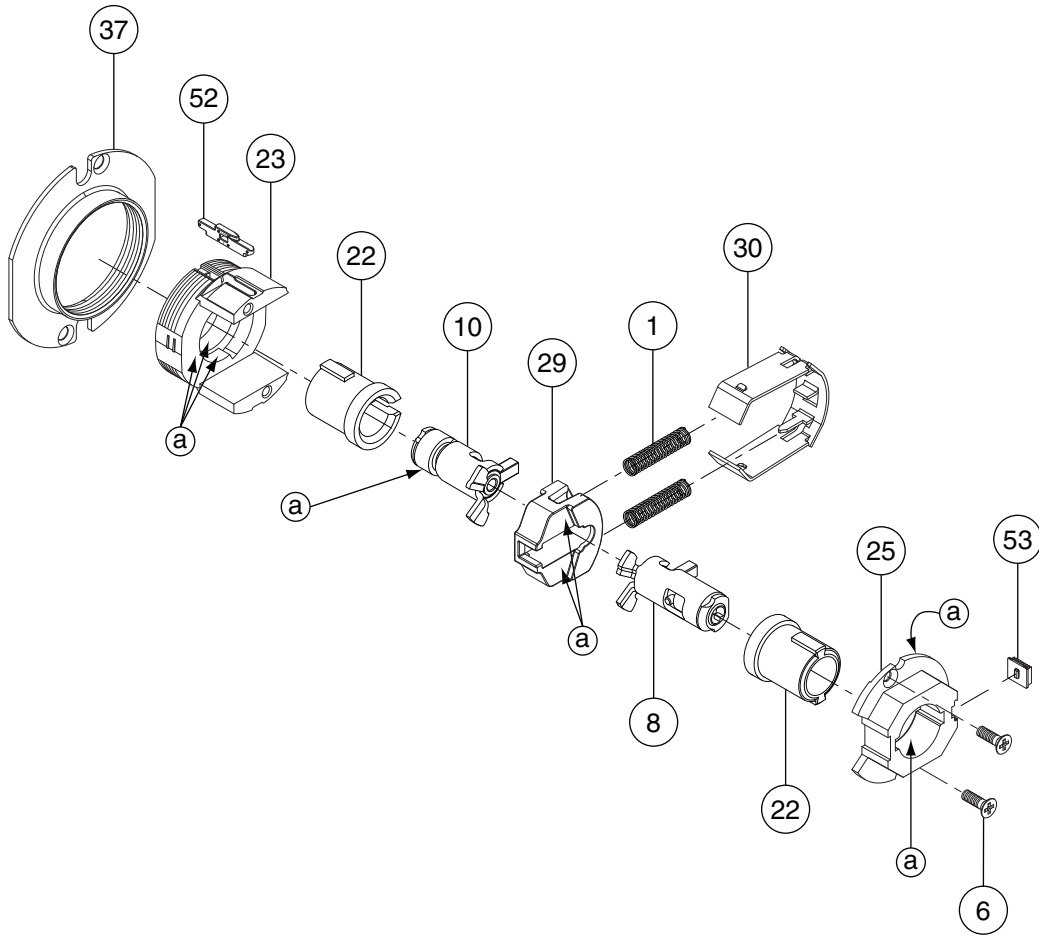
No.	Description	Part number
29	Slide	N523-149
30	Slide clip	N523-025
37	Adjustment plate	N523-054
38	Spindle	N523-177 ✦
52	Gauge insert	23988066
53	Insert, inside hub	N523-160*

* Not sold separately as a part.

✦ Designates new parts or assemblies.

Special— classroom by storeroom lock

ND70X80



Ⓐ Apply light film of 100% synthetic grease on surfaces with brush.

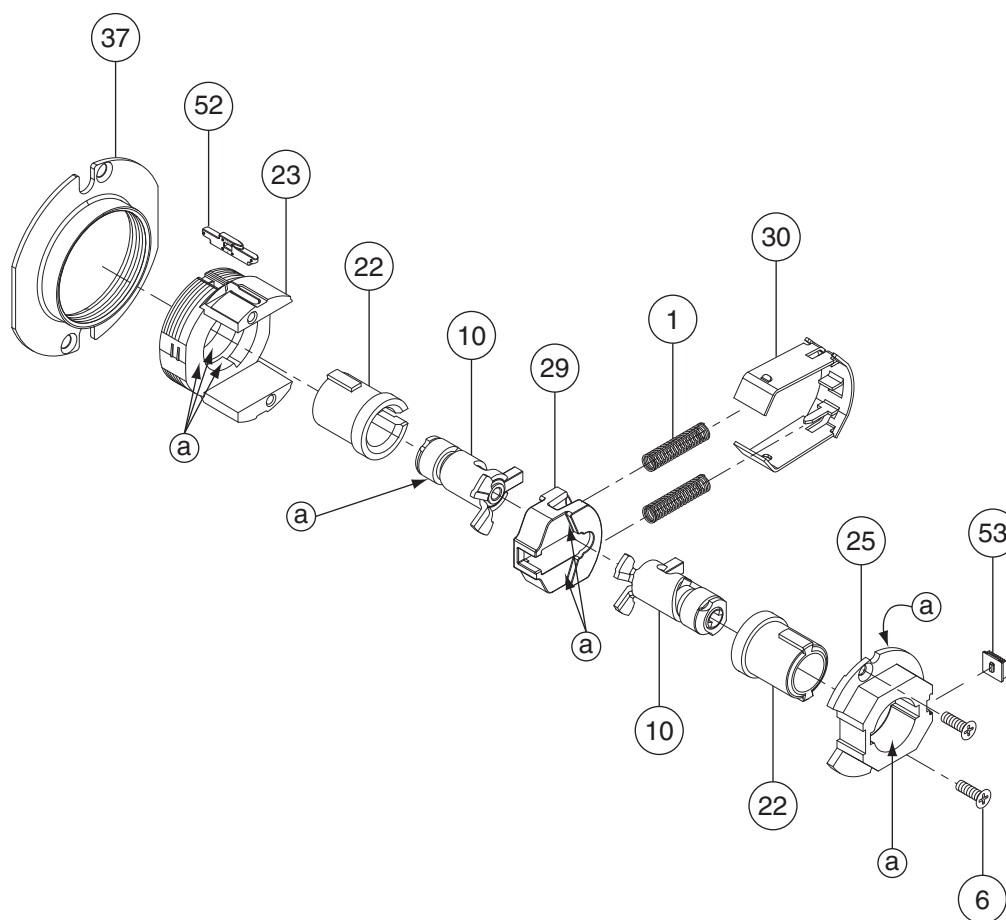
No.	Description	Part number
1	Slide spring	C503-019
6	Chassis screw	L583-454
8	Keycam assembly	N123-008
10	Keycam assembly	N123-010
22	Spindle	N523-013
23	Outside housing	24088544

No.	Description	Part number
25	Inside hub	24085060
29	Slide	N523-149
30	Slide clip	N523-025
37	Adjustment plate	N523-054
52	Gauge insert	23988066
53	Insert, inside hub	N523-160*

* Not sold separately as a part.

Special— communicating lock

ND72



Ⓐ Apply light film of 100% synthetic grease on surfaces with brush.

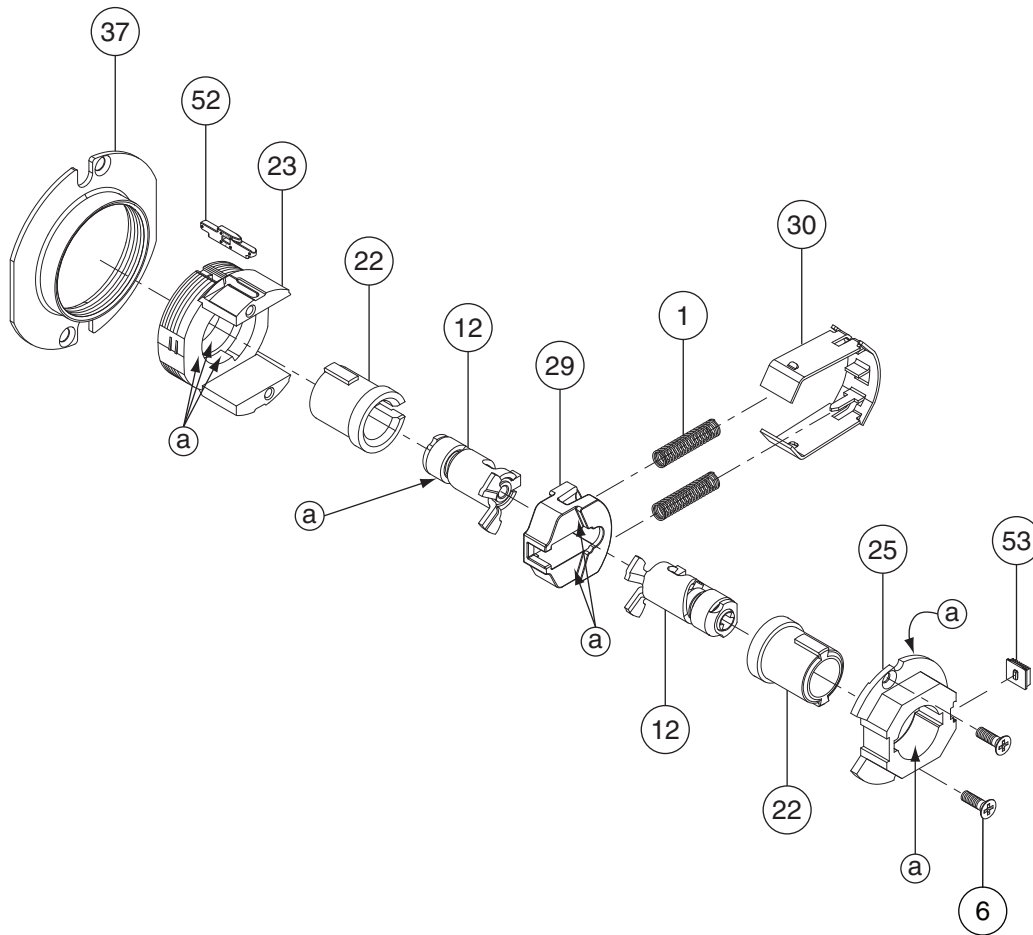
No.	Description	Part number
1	Slide spring	C503-019
6	Chassis screw	L583-454
10	Keycam assembly	N123-010
22	Spindle	N523-013
23	Outside housing	24088544
25	Inside hub	24085060

No.	Description	Part number
29	Slide	N523-149
30	Slide clip	N523-025
37	Adjustment plate	N523-054
52	Gauge insert	23988066
53	Insert, inside hub	N523-160*

* Not sold separately as a part.

Special— communicating lock with Vandlgard®

ND72 Vandlgard®



(a) Apply light film of 100% synthetic grease on surfaces with brush.

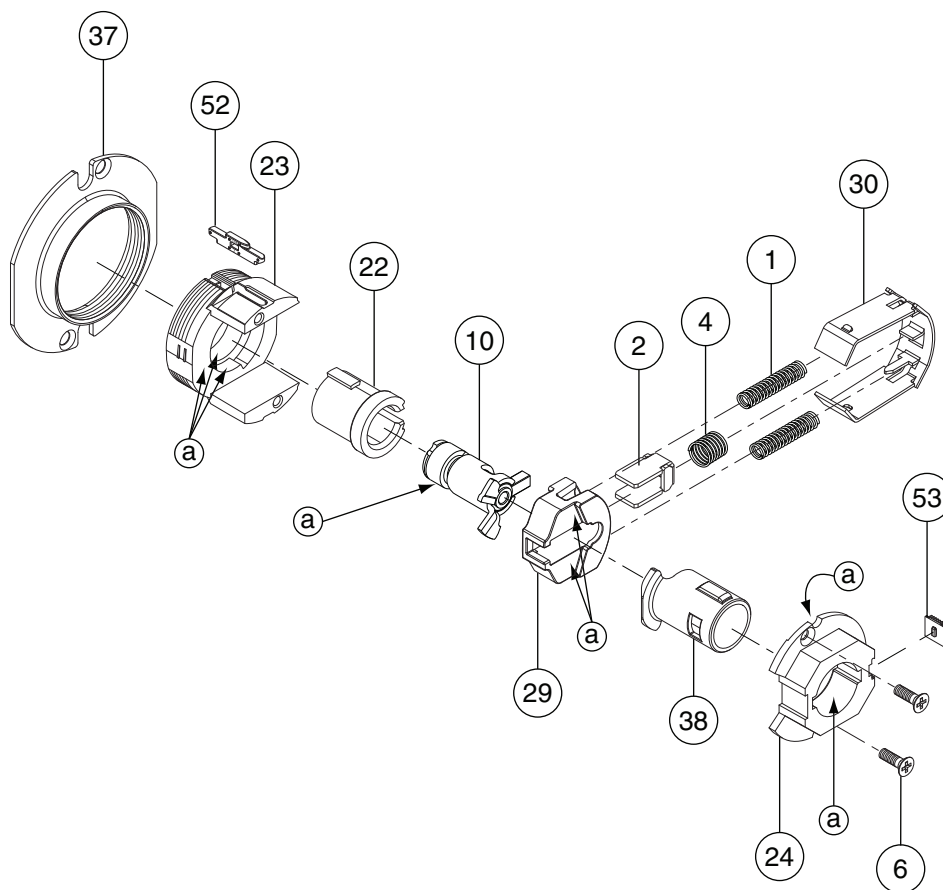
No.	Description	Part number
1	Slide spring	C503-019
6	Chassis screw	L583-454
12	Keycam assembly	N123-012
22	Spindle	N523-013
23	Outside housing	24088544
25	Inside hub	24085060

No.	Description	Part number
29	Slide	N523-149
30	Slide clip	N523-025
37	Adjustment plate	N523-054
52	Gauge insert	23988066
53	Insert, inside hub	N523-160*

* Not sold separately as a part.

Corridor lock

ND73



Ⓐ Apply light film of 100% synthetic grease on surfaces with brush.

No.	Description	Part number
1	Slide spring	C503-019
2	Restoring slide catch	C604-187
4	Slide catch spring	C604-191
6	Chassis screw	L583-454
10	Keycam assembly	N123-010
22	Spindle	N523-013
23	Outside housing	24088544

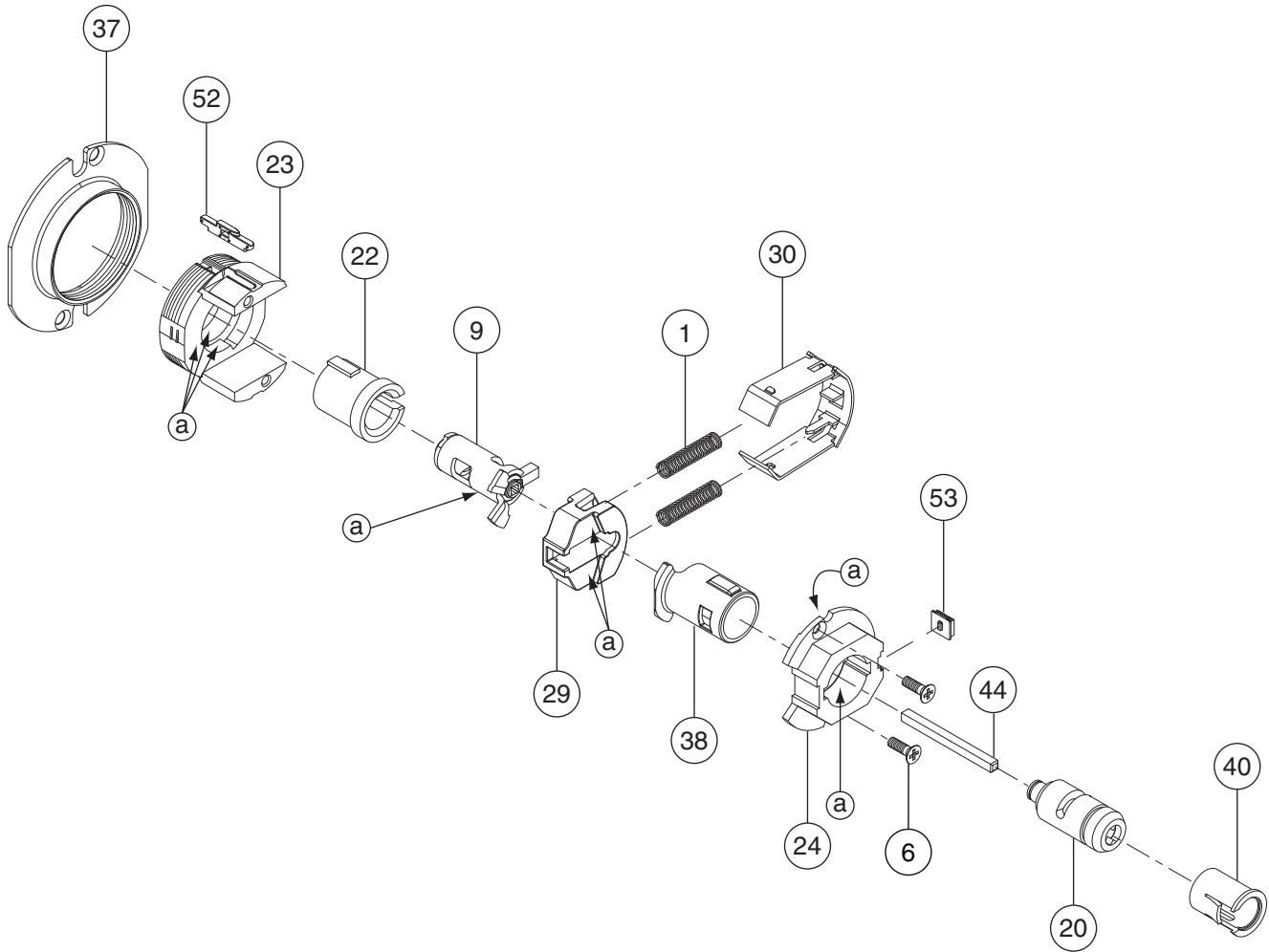
No.	Description	Part number
24	Inside hub	24085037
29	Slide	N523-149
30	Slide clip	N523-025
37	Adjustment plate	N523-054
38	Spindle	N523-177 ✦
52	Gauge insert	23988066
53	Insert, inside hub	N523-160*

* Not sold separately as a part.

✦ Designates new parts or assemblies.

Classroom security lock

ND75



Ⓐ Apply light film of 100% synthetic grease on surfaces with brush.

No.	Description	Part number
1	Slide spring	C503-019
6	Chassis screw	L583-454
9	Keycam assembly	N123-076
20	Inside cam	N123-059
22	Spindle	N523-013
23	Outside housing	24088544
24	Inside hub	24085037
29	Slide	N523-149

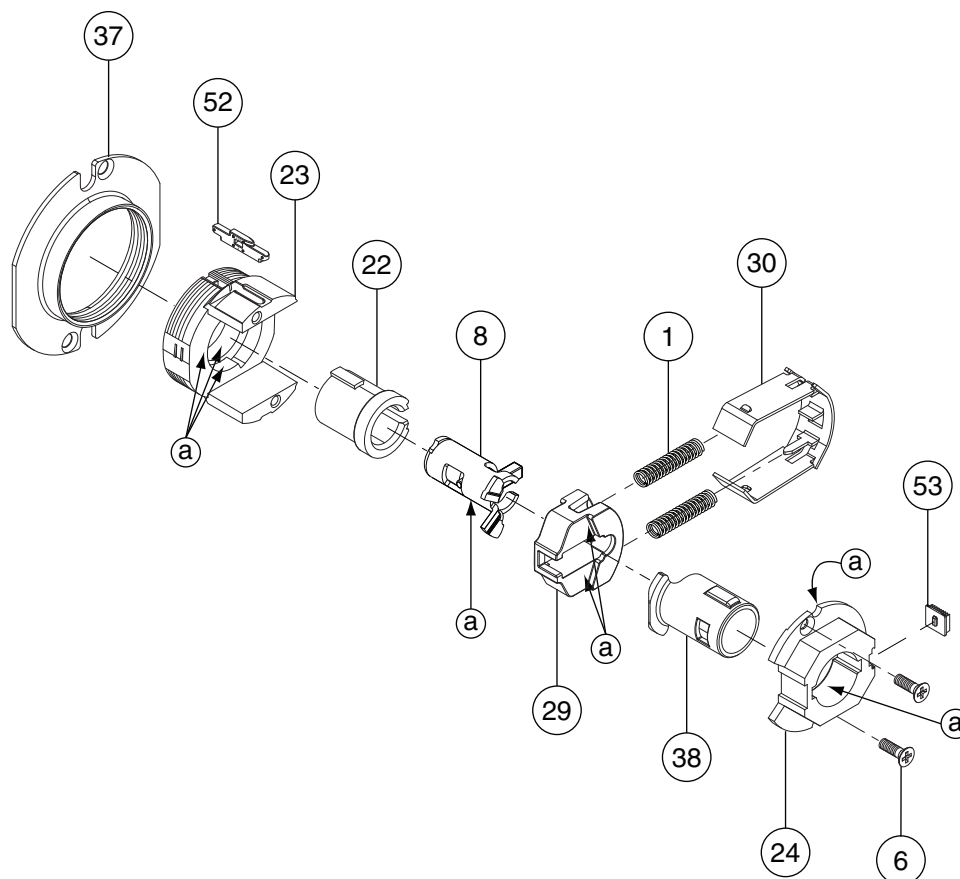
No.	Description	Part number
30	Slide clip	N523-025
37	Adjustment plate	N523-054
38	Spindle	N523-177 ⚡
40	Plunger sleeve	N523-063
44	Plunger bar	N523-067
52	Gauge insert	23988066
53	Insert, inside hub	N523-160*

* Not sold separately as a part.

⚡ Designates new parts or assemblies.

Storeroom lock

ND80



Ⓐ Apply light film of 100% synthetic grease on surfaces with brush.

No.	Description	Part number
1	Slide spring	C503-019
6	Chassis screw	L583-454
8	Keycam assembly	N123-008
22	Spindle	N523-013
23	Outside housing	24088544
24	Inside hub	24085037

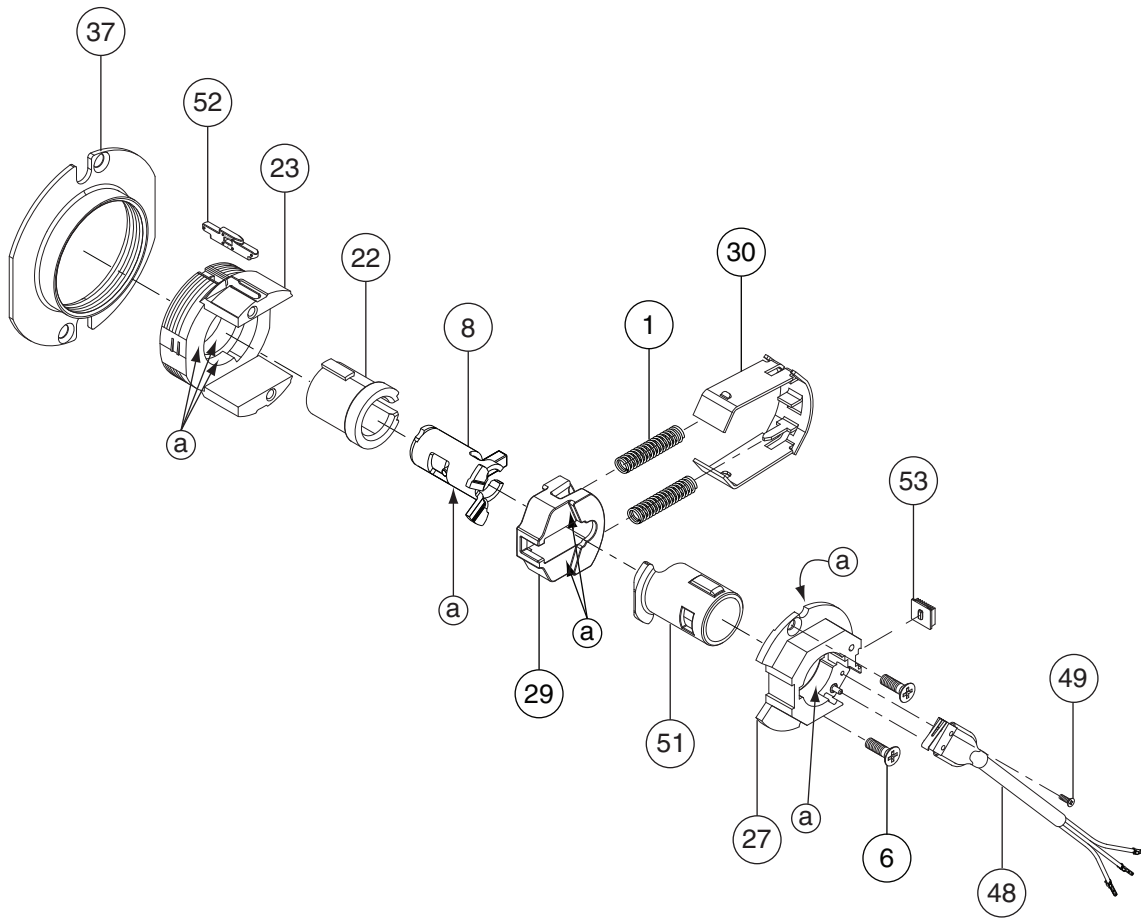
No.	Description	Part number
29	Slide	N523-149
30	Slide clip	N523-025
37	Adjustment plate	N523-054
38	Spindle	N523-177 †
52	Gauge insert	23988066
53	Insert, inside hub	N523-160*

* Not sold separately as a part.

† Designates new parts or assemblies.

Storeroom lock with request-to-exit

ND80 RX



(a) Apply light film of 100% synthetic grease on surfaces with brush.

No.	Description	Part number
1	Slide spring	C503-019
6	Chassis screw	L583-454
8	Keycam assembly	N123-008
22	Spindle	N523-013
23	Outside housing	24088544
27	Inside hub, electrified and RX	24085078
29	Slide	N523-149

No.	Description	Part number
30	Slide clip	N523-025
37	Adjustment plate	N523-054
48	RX harness	N523-194**
49	RX harness screw	N523-135
51	RX inside spindle	N523-177 †
52	Gauge insert	23988066
53	Insert, inside hub	N523-160*

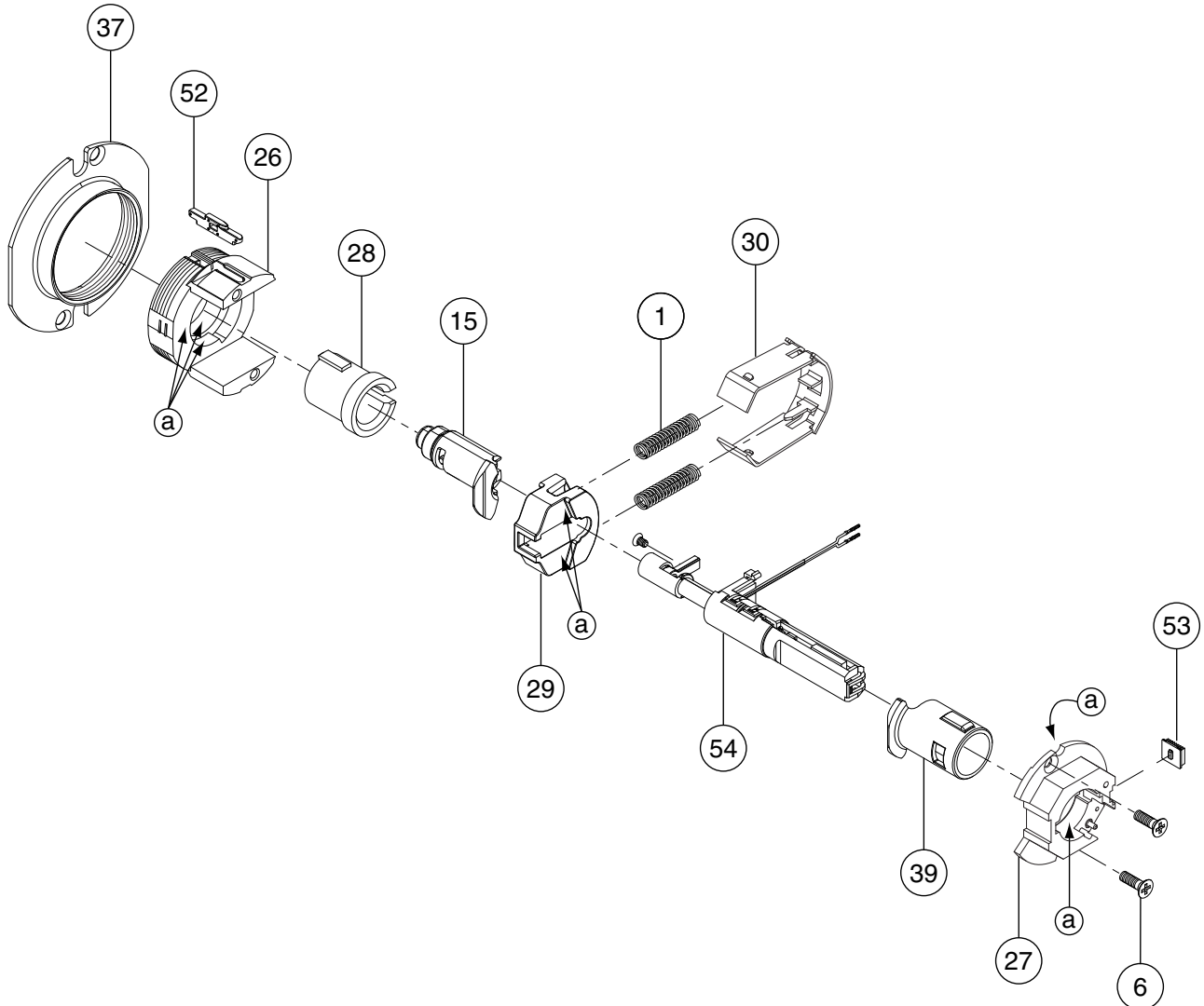
* Not sold separately as a part.

** For RX details, see **Request-to-exit feature** on page 106.

† Designates new parts or assemblies.

Storeroom lock— Electrically locked (fail safe) or electrically locked (fail safe)

ND80EL or ND80EU



a Apply light film of 100% synthetic grease on surfaces with brush.

No.	Description	Part number
1	Slide spring	C503-019
6	Chassis screw	L583-454
15	Electrified keycam assembly	N223-066 †
26	Outside electrified housing	24088551
27	Inside hub, electrified and RX	24085078
28	Outside electrified spindle	N523-019
29	Slide	N523-149

No.	Description	Part number
30	Slide clip	N523-025
37	Adjustment plate	N523-054
39	Inside spindle	N523-177 †
52	Gauge insert	23988066
53	Insert, inside hub	N523-160*
54	Electrified motor assembly	N223-062** †

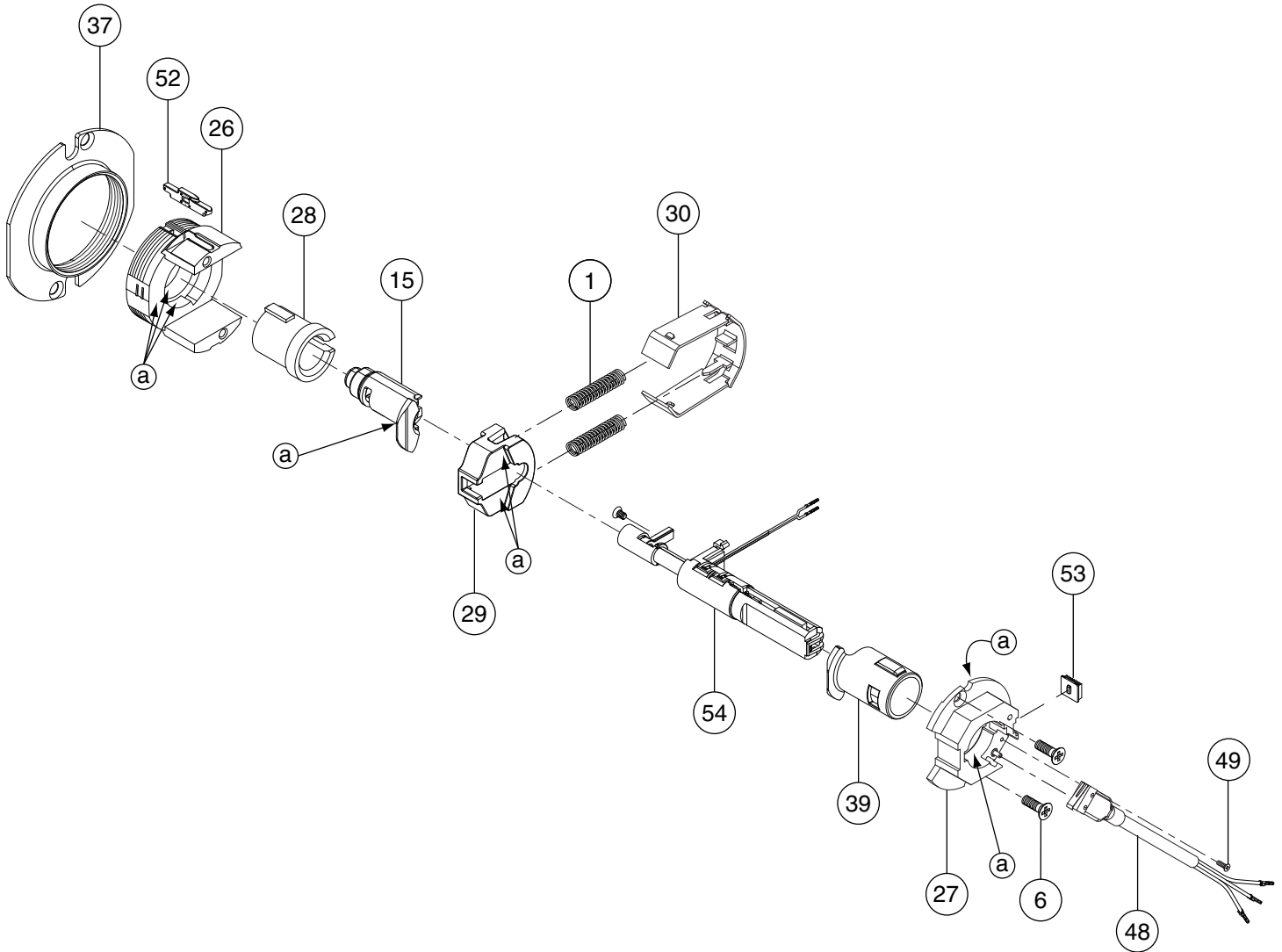
* Not sold separately as a part.

** For electrified lock details, see **Electrified locks** on page 105.

† Designates new parts or assemblies.

Storeroom lock— Electrically locked (fail safe) or electrically unlocked (fail secure) with request-to-exit

ND80EL RX or ND80EU RX



(a) Apply light film of 100% synthetic grease on surfaces with brush.

No.	Description	Part number
1	Slide spring	C503-019
6	Chassis screw	L583-454
15	Electrified keycam assembly	N223-066 †
26	Outside electrified housing	24088551
27	Inside hub, electrified and RX	24085078
28	Outside electrified spindle	N523-019
29	Slide	N523-149
30	Slide clip	N523-025

No.	Description	Part number
37	Adjustment plate	N523-054
39	Inside spindle	N523-177 †
48	RX harness	N523-194**
49	RX harness screw	N523-135
52	Gauge insert	23988066
53	Insert, inside hub	N523-160 *
54	Electrified motor assembly	N223-062** †

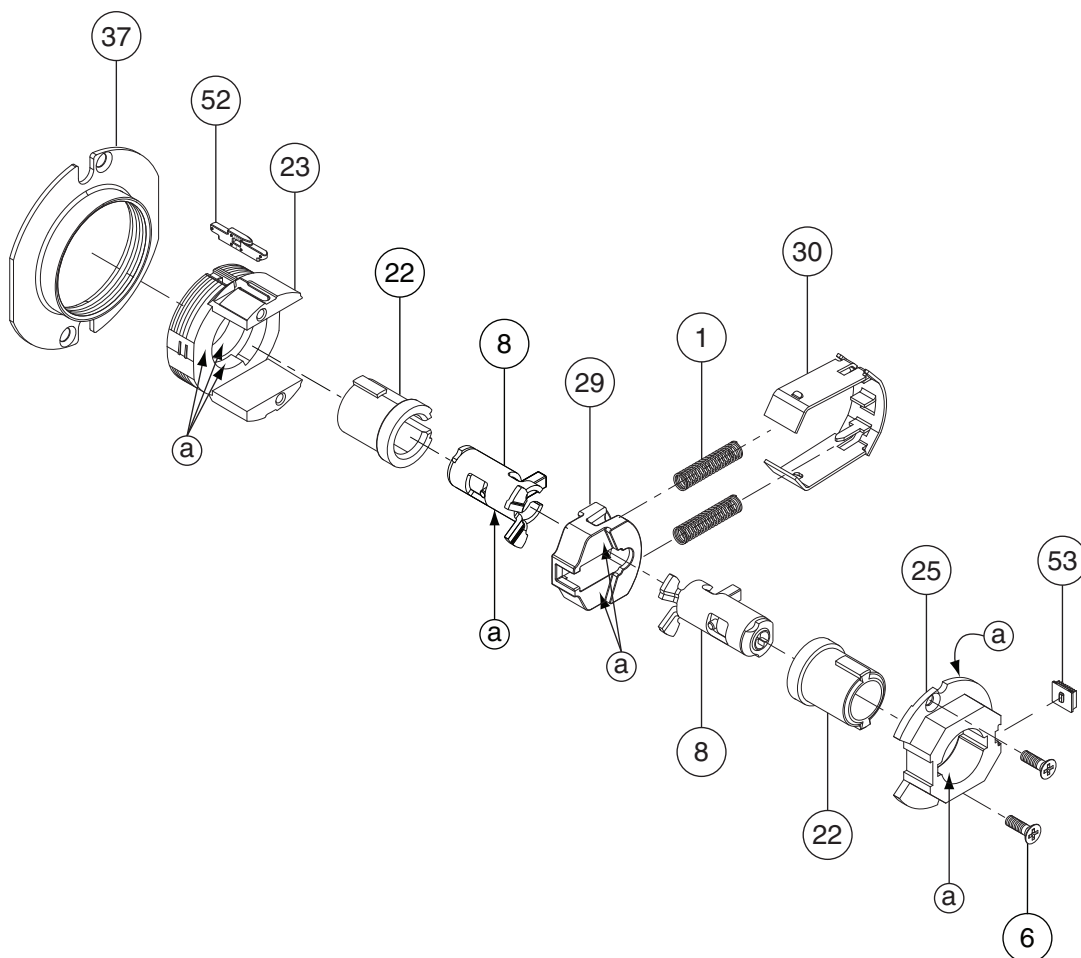
* Not sold separately as a part.

** For RX details, see **Request-to-exit feature** on page 106. For electrified lock details, see **Electrified locks** on page 105.

† Designates new parts or assemblies.

Institution lock

ND82



a Apply light film of 100% synthetic grease on surfaces with brush.

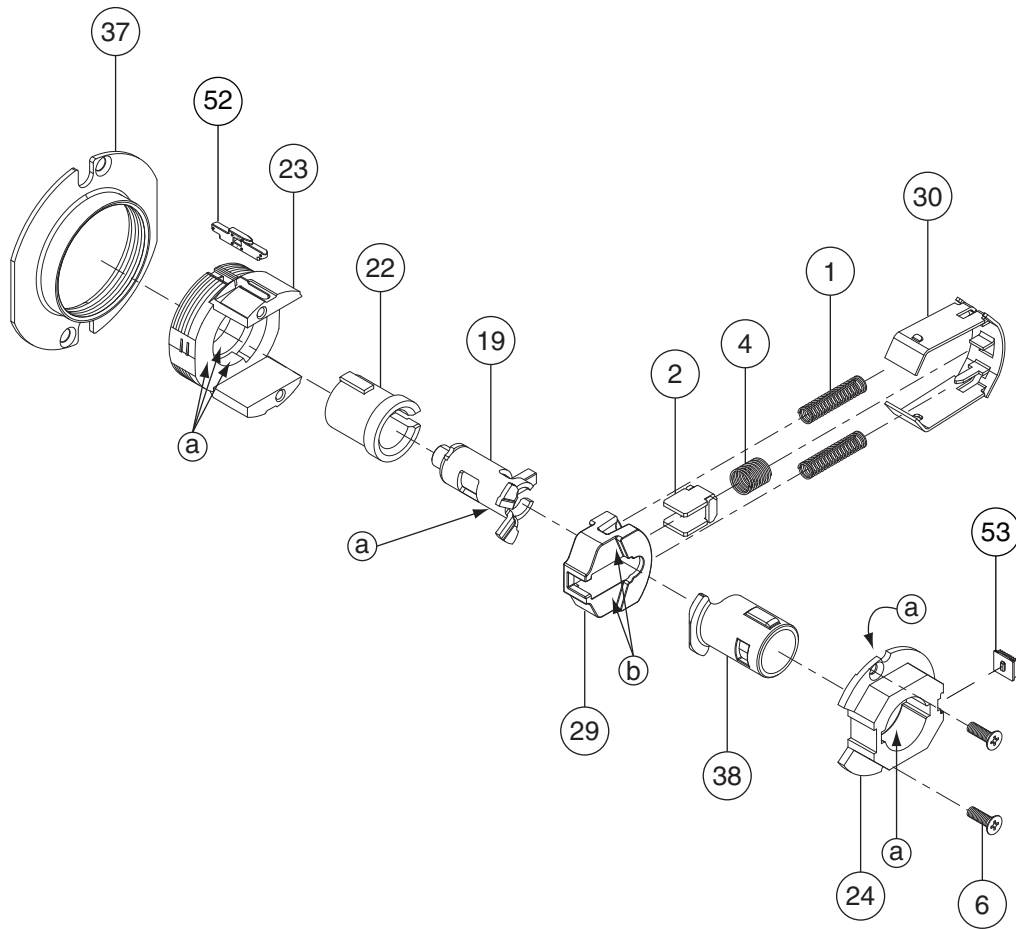
No.	Description	Part number
1	Slide spring	C503-109
6	Chassis screw	L583-454
8	Keycam assembly	N123-008
22	Spindle	N523-013
23	Outside housing	24088544
25	Inside hub	24085060

No.	Description	Part number
29	Slide	N523-149
30	Slide clip	N523-025
37	Adjustment plate	N523-054
52	Gauge insert	23988066
53	Insert, inside hub	N523-160*

* Not sold separately as a part.

Faculty restroom lock

ND85



(a) Apply light film of 100% synthetic grease on surfaces with brush.

No.	Description	Part number
1	Slide spring	C503-019
2	Restoring slide catch	C604-187
4	Slide catch spring	C604-191
6	Chassis screw	L583-454
19	Keycam assembly	N123-055
22	Spindle	N523-013
23	Outside housing	24088544

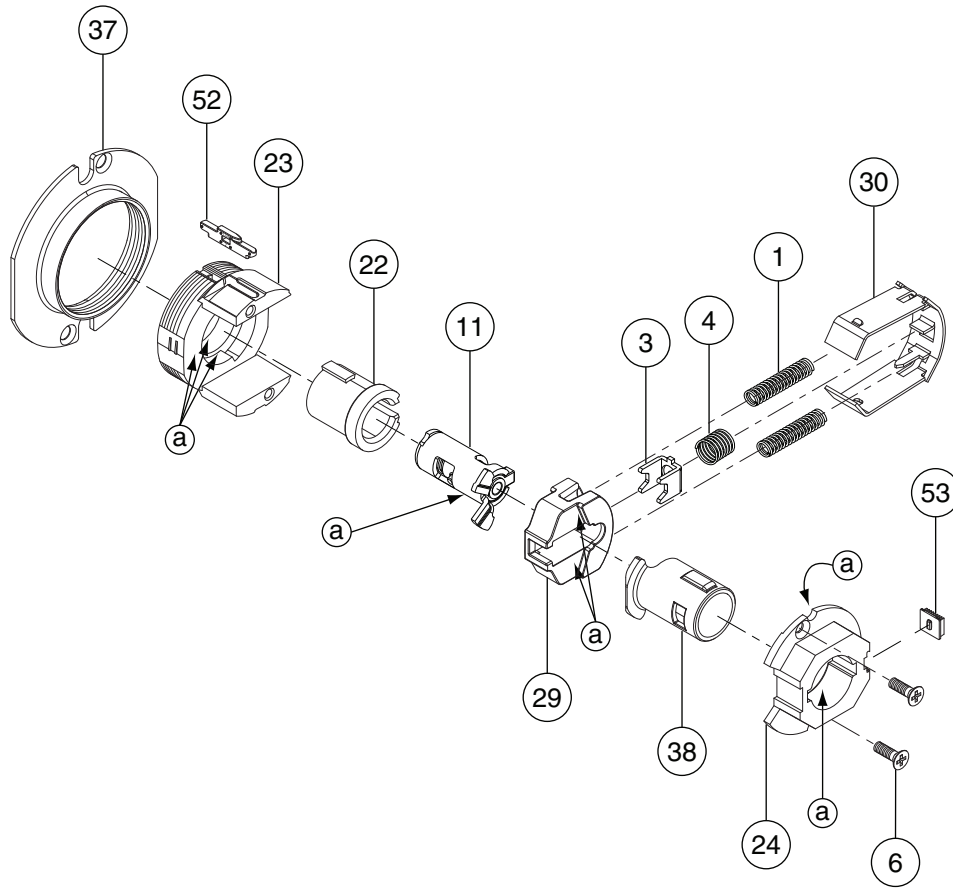
No.	Description	Part number
24	Inside hub	24085037
29	Slide	N523-149
30	Slide clip	N523-025
37	Adjustment plate	N523-054
38	Spindle	N523-177 †
52	Gauge insert	23988066
53	Insert, inside hub	N523-160*

* Not sold separately as a part.

† Designates new parts or assemblies.

Entrance/office and entrance lock with Vandlgard®

ND91 and ND92



(a) Apply light film of 100% synthetic grease on surfaces with brush.

No.	Description	Part number
1	Slide spring	C503-019
3	Slide catch	C604-188
4	Slide catch spring	C604-191
6	Chassis screw	L583-454
11	Keycam assembly	N123-011
22	Spindle	N523-013
23	Outside housing	24088544

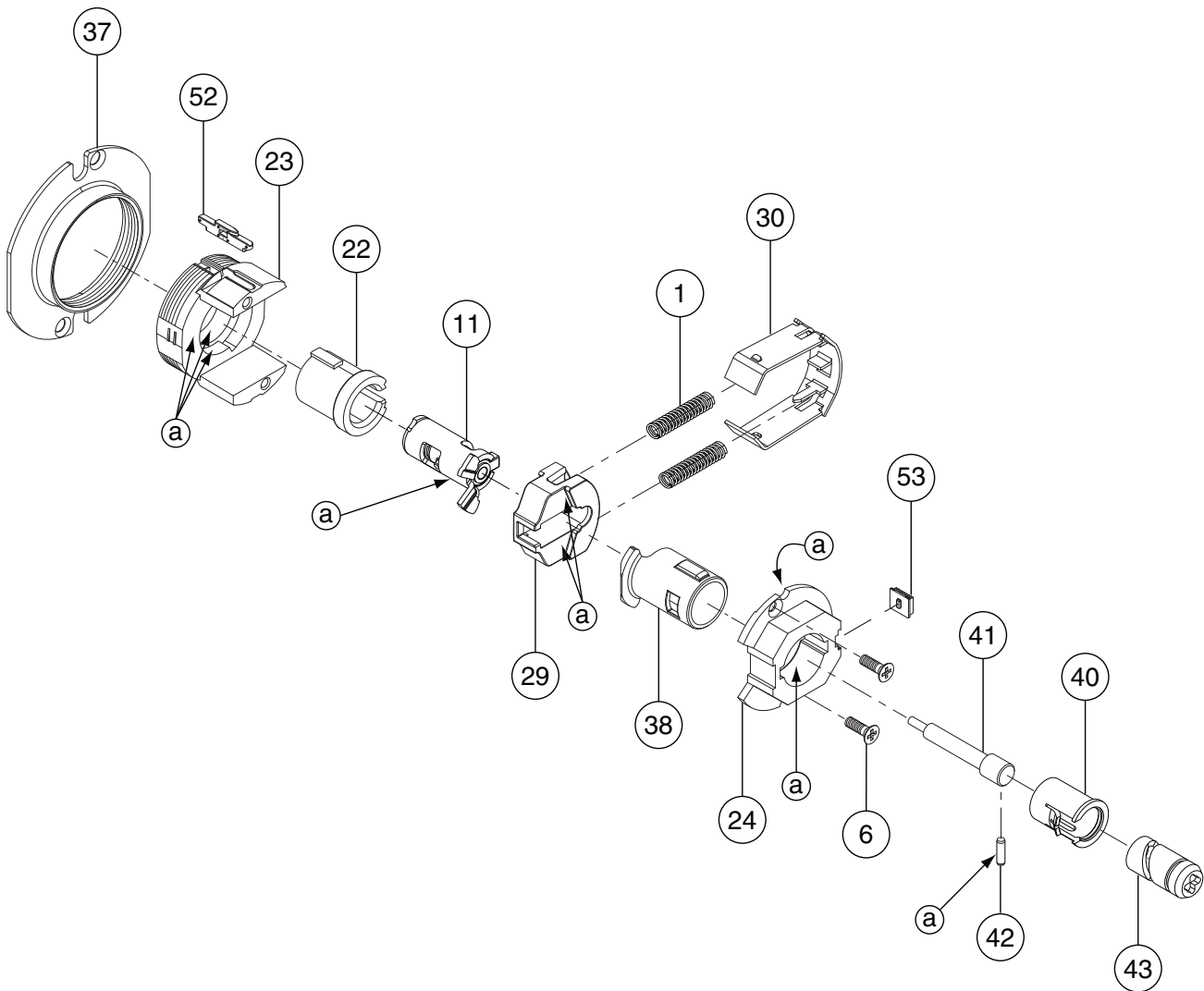
No.	Description	Part number
24	Inside hub	24085037
29	Slide	N523-149
30	Slide clip	N523-025
37	Adjustment plate	N523-054
38	Spindle	N523-177 †
52	Gauge insert	23988066
53	Insert, inside hub	N523-160*

* Not sold separately as a part.

† Designates new parts or assemblies.

Vestibule lock with Vandlgard®

ND93



(a) Apply light film of 100% synthetic grease on surfaces with brush.

No.	Description	Part number
1	Slide spring	C503-019
6	Chassis screw	L583-454
11	Keycam assembly	N123-011
22	Spindle	N523-013
23	Outside housing	24088544
24	Inside hub	24085037
29	Slide	N523-149
30	Slide clip	N523-025

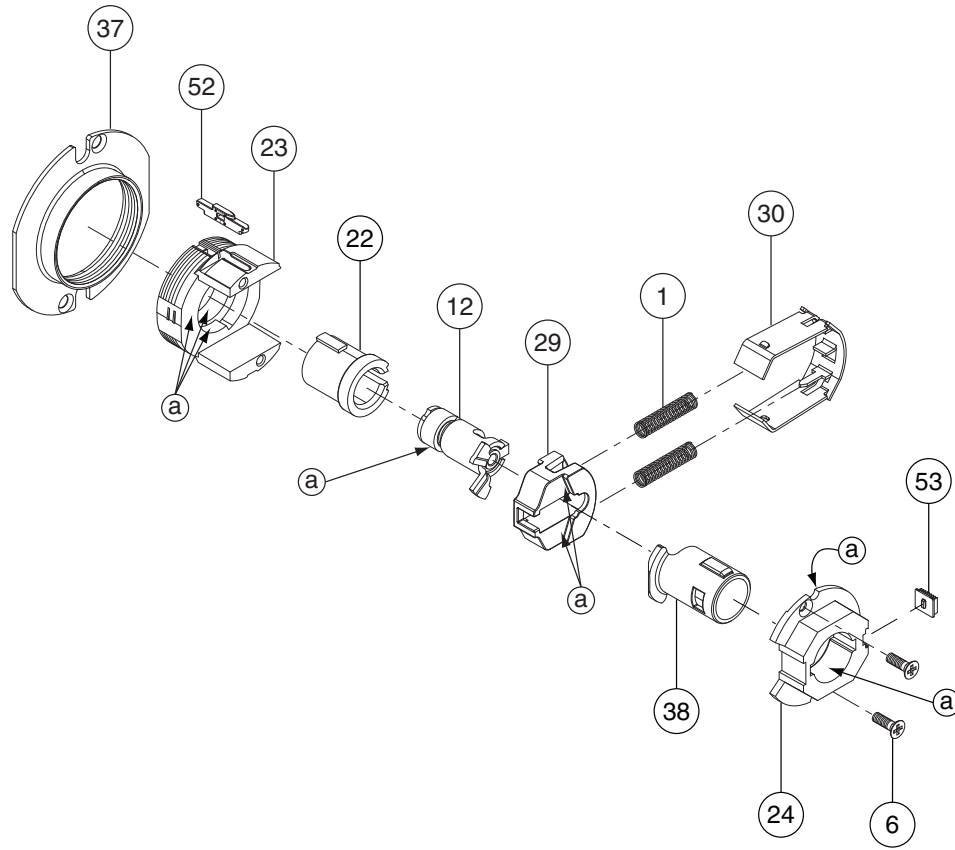
No.	Description	Part number
37	Adjustment plate	N523-054
38	Spindle	N523-177 ✦
40	Plunger sleeve	N523-063
41	Plunger	N523-064
42	Cam pin	N523-065
43	Cam	N523-066
52	Gauge insert	23988066
53	Insert, inside hub	N523-160*

* Not sold separately as a part.

✦ Designates new parts or assemblies.

Classroom lock with Vandlgard®

ND94



a Apply light film of 100% synthetic grease on surfaces with brush.

No.	Description	Part number
1	Slide spring	C503-019
6	Chassis screw	L583-454
12	Keycam assembly	N123-012
22	Spindle	N523-013
23	Outside housing	24088544
24	Inside hub	24085037

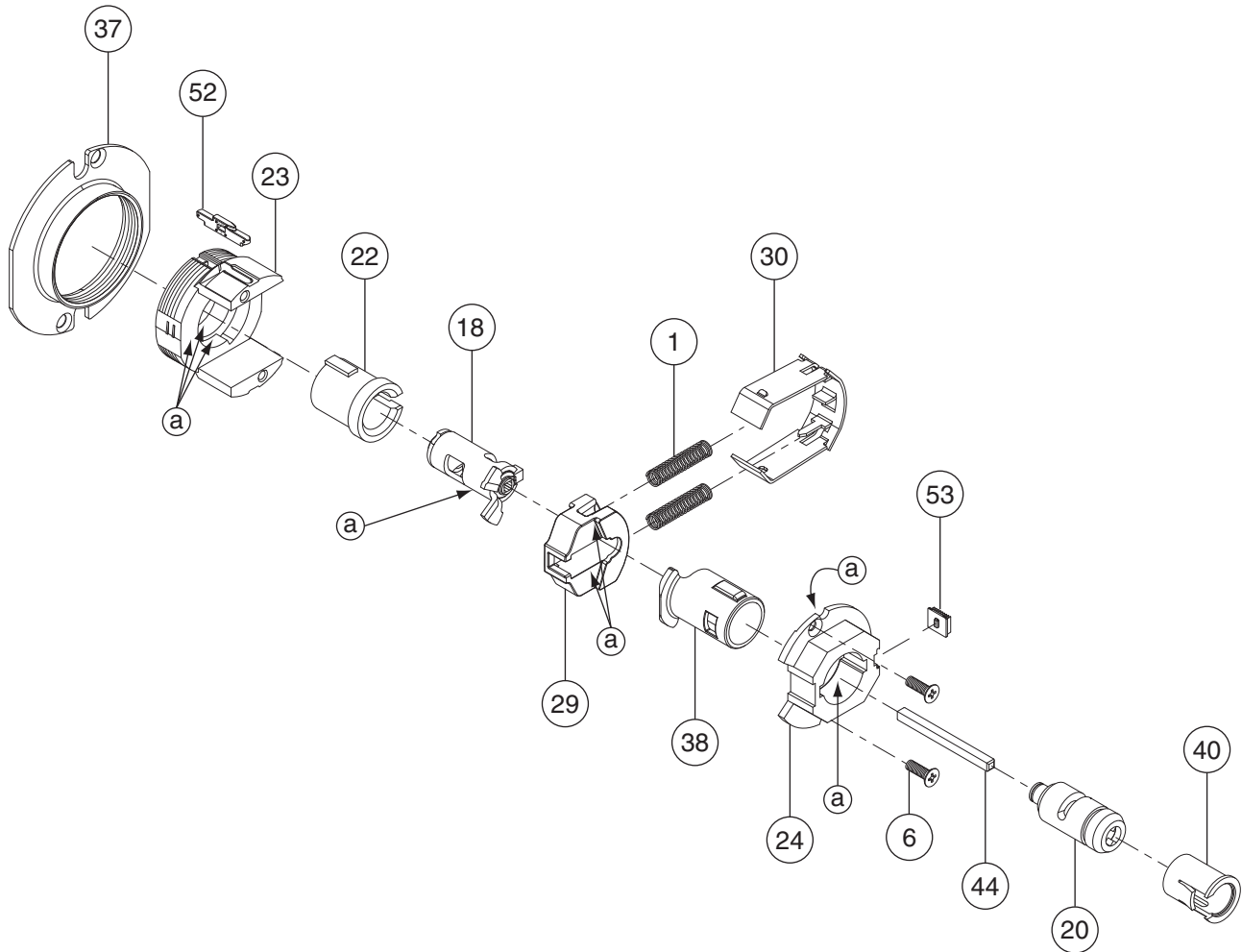
No.	Description	Part number
29	Slide	N523-149
30	Slide clip	N523-025
37	Adjustment plate	N523-054
38	Spindle	N523-177 †
52	Gauge insert	23988066
53	Insert, inside hub	N523-160 *

* Not sold separately as a part.

† Designates new parts or assemblies.

Classroom security lock with Vandlgard®

ND95



(a) Apply light film of 100% synthetic grease on surfaces with brush.

No.	Description	Part number
1	Slide spring	C503-019
6	Chassis screw	L583-454
18	Keycam assembly	N123-098
20	Inside cam	N123-059
22	Spindle	N523-013
23	Outside housing	24088544
24	Inside hub	24085037
29	Slide	N523-149

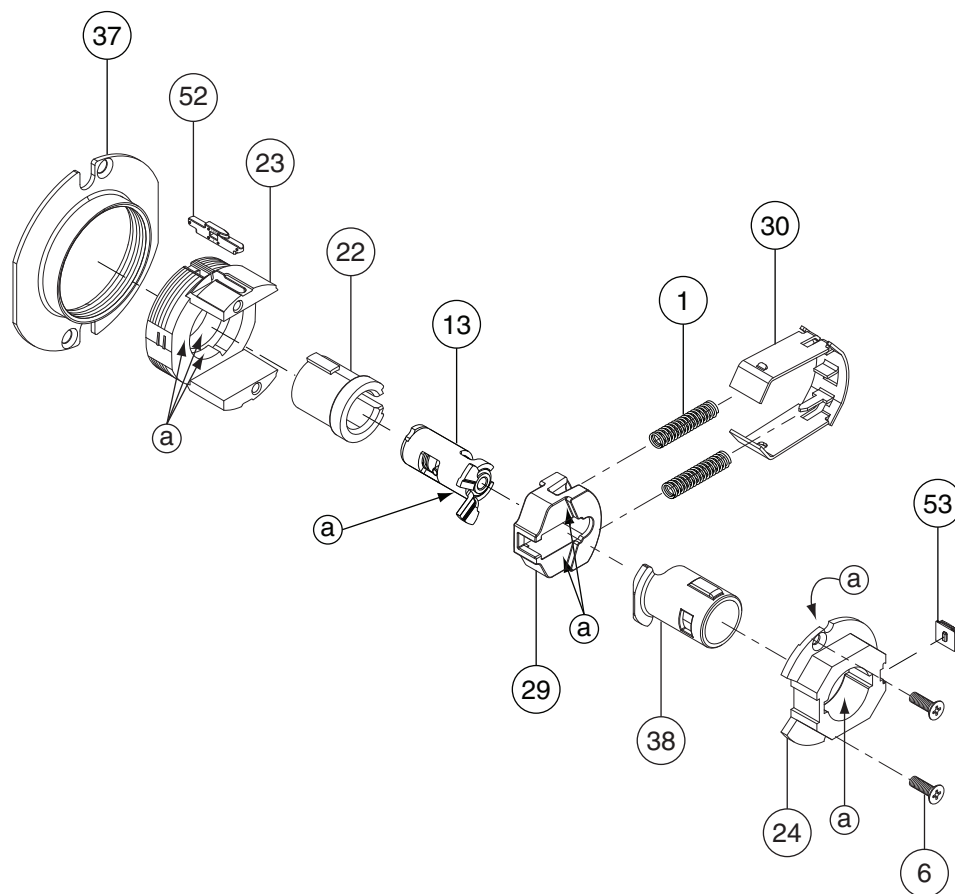
No.	Description	Part number
30	Slide clip	N523-025
37	Adjustment plate	N523-054
38	Spindle	N523-177 †
40	Plunger sleeve	N523-063
44	Plunger bar	N523-067
52	Gauge insert	23988066
53	Insert, inside hub	N523-160 *

* Not sold separately as a part.

† Designates new parts or assemblies.

Storeroom lock with Vandlgard®

ND96



(a) Apply light film of 100% synthetic grease on surfaces with brush.

No.	Description	Part number
1	Slide spring	C503-019
6	Chassis screw	L583-454
13	Keycam assembly	N123-013
22	Spindle	N523-013
23	Outside housing	24088544
24	Inside hub	24085037

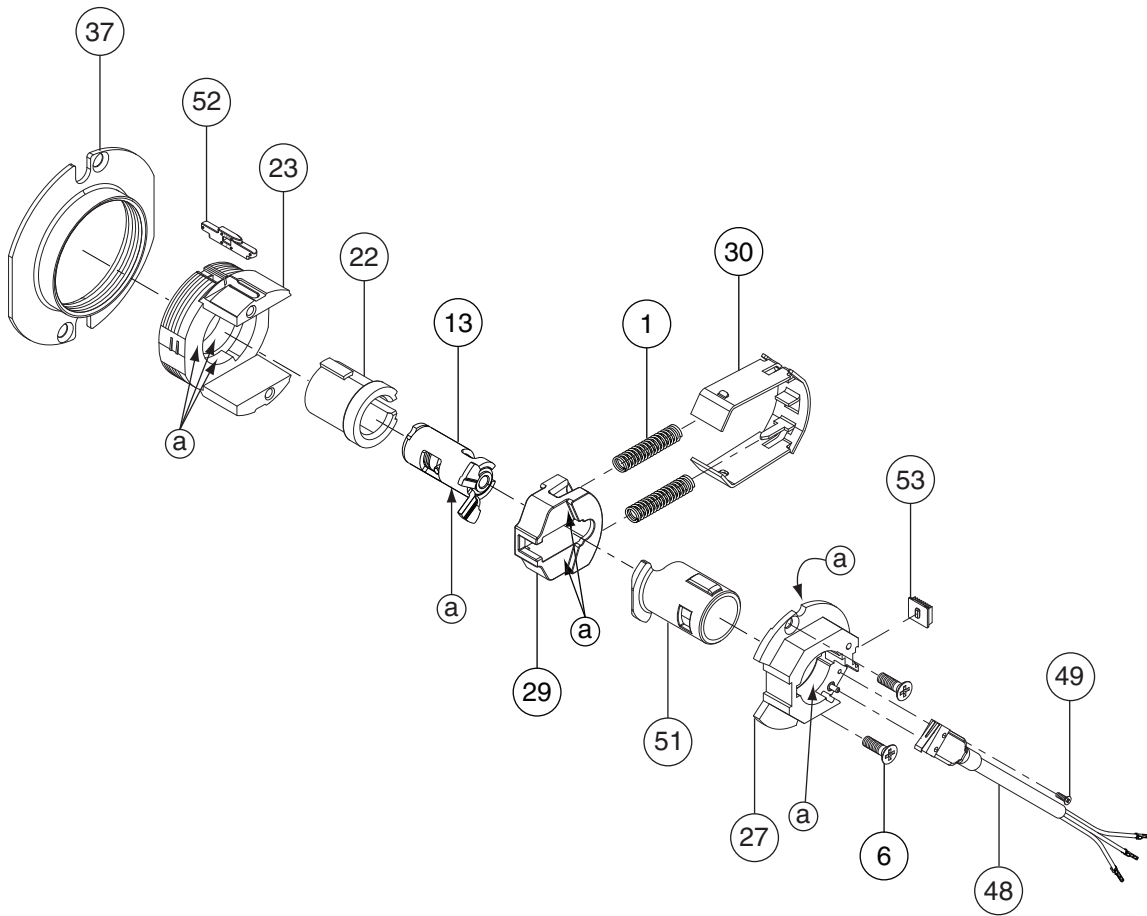
No.	Description	Part number
29	Slide	N523-149
30	Slide clip	N523-025
37	Adjustment plate	N523-054
38	Spindle	N523-177 †
52	Gauge insert	23988066
53	Insert, inside hub	N523-160*

* Not sold separately as a part.

† Designates new parts or assemblies.

Storeroom lock with Vandlgard® with request to exit

ND96 RX



a Apply light film of 100% synthetic grease on surfaces with brush.

No.	Description	Part number
1	Slide spring	C503-019
6	Chassis screw	L583-454
13	Keycam assembly	N123-013
22	Spindle	N523-013
23	Outside housing	24088544
27	Inside hub, electrified and RX	24085078
29	Slide	N523-149

No.	Description	Part number
30	Slide clip	N523-025
37	Adjustment plate	N523-054
48	RX harness	N523-194**
49	RX harness screw	N523-135
51	RX inside spindle	N523-177 †
52	Gauge insert	23988066
53	Insert, inside hub	N523-160*

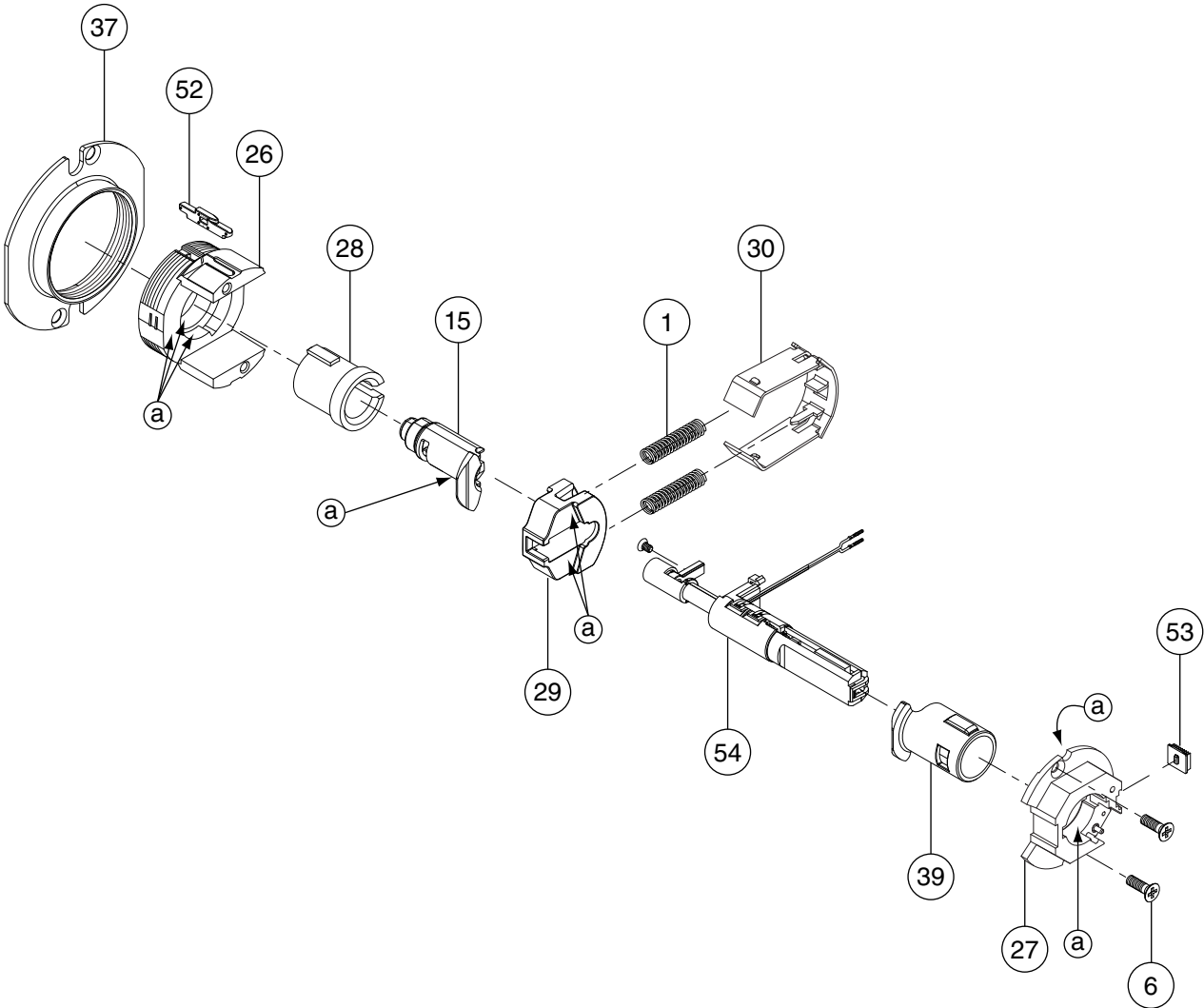
* Not sold separately as a part.

** For RX details, see **Request-to-exit feature** on page 106.

† Designates new parts or assemblies.

Storeroom lock with Vandlgard®— Electrically locked (fail safe) or electrically unlocked (fail secure)

ND96EL or ND96EU



(a) Apply light film of 100% synthetic grease on surfaces with brush.

No.	Description	Part number
1	Slide spring	C503-019
6	Chassis screw	L583-454
15	Electrified keycam assembly	N223-066 †
26	Outside electrified housing	24088551
27	Inside hub—electrified functions	24085078
28	Outside electrified spindle	N523-019

No.	Description	Part number
29	Slide	N523-149
30	Slide clip	N523-025
37	Adjustment plate	N523-054
39	Inside electrified spindle	N523-177 †
52	Gauge insert	23988066
53	Insert, inside hub	N523-160 *
54	Electrified motor assembly –Vandlgard	N223-063** †

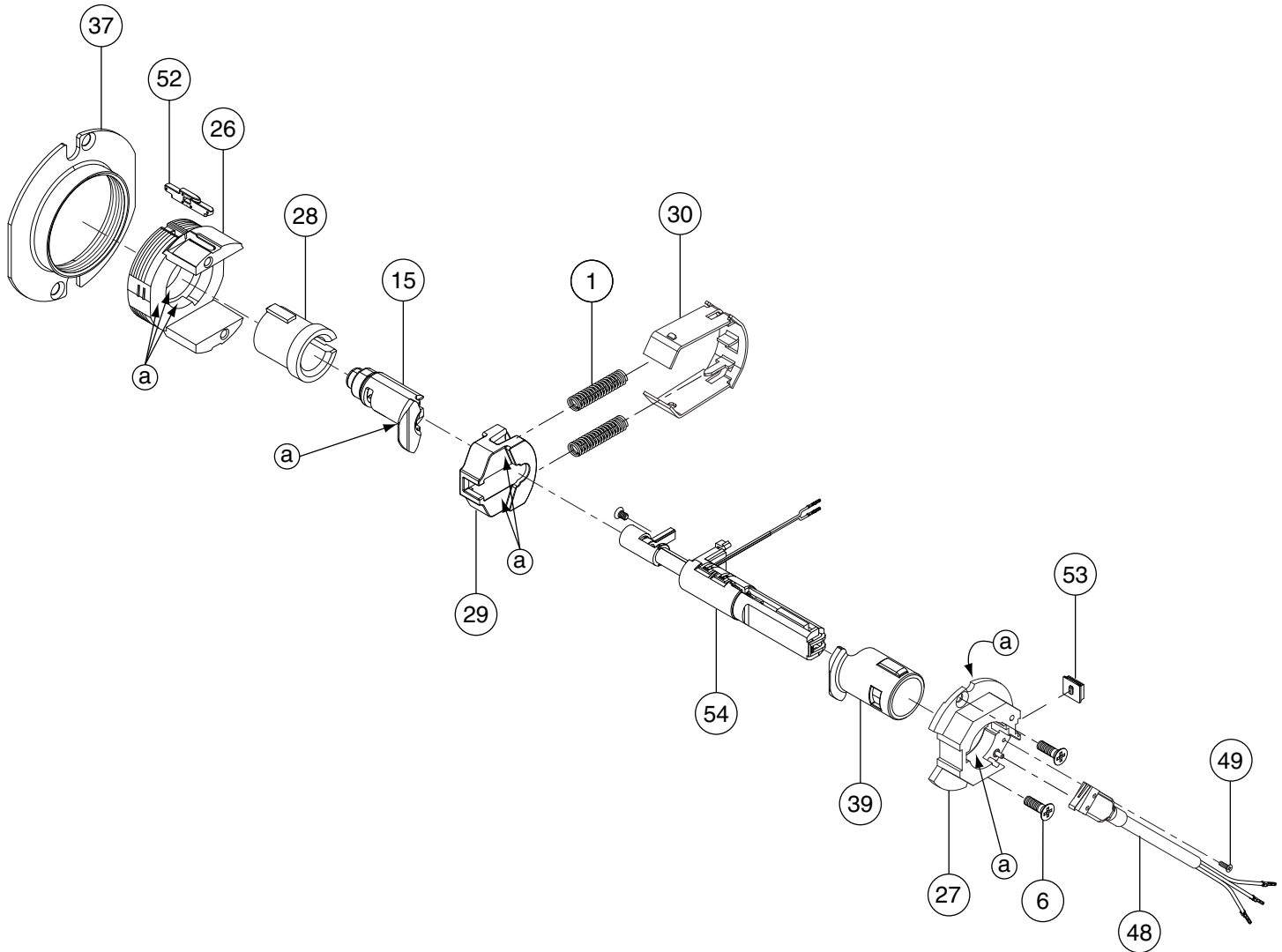
* Not sold separately as a part.

** For electrified lock details, see **Electrified locks** on page 105.

† Designates new parts or assemblies.

Storeroom lock with Vandlgard®— Electrically locked (fail safe) or electrically unlocked (fail secure) with request-to-exit

ND96EL RX or ND96EU RX



(a) Apply light film of 100% synthetic grease on surfaces with brush.

No.	Description	Part number
1	Slide spring	C503-019
6	Chassis screw	L583-454
15	Electrified keycam assembly	N223-066 †
26	Outside electrified housing	24088551
27	Inside hub—electrified functions	24085078
28	Outside electrified spindle	N523-019
29	Slide	N523-149
30	Slide clip	N523-025

No.	Description	Part number
37	Adjustment plate	N523-054
39	Inside electrified spindle	N523-177 †
48	RX harness	N523-194**
49	RX harness screw	N523-135
52	Gauge insert	23988066
53	Insert, inside hub	N523-160 *
54	Electrified motor assembly –Vandlgard	N223-063** †

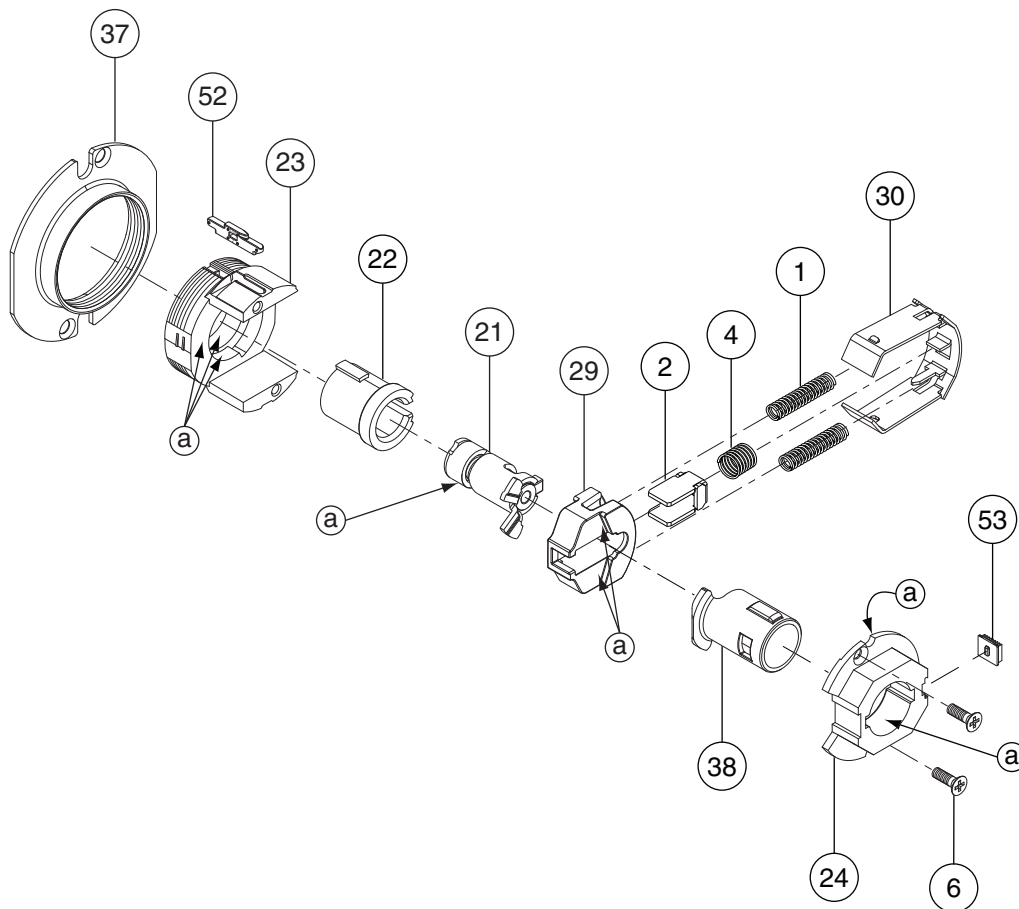
* Not sold separately as a part.

** For RX details, see “Request-to-exit feature”. For electrified lock details, see **Electrified locks** on page 105.

† Designates new parts or assemblies.

Corridor lock with Vandlgard®

ND97



Ⓐ Apply light film of 100% synthetic grease on surfaces with brush.

No.	Description	Part number
1	Slide spring	C503-019
2	Restoring slide catch	C604-187
4	Slide catch spring	C604-191
6	Chassis screw	L583-454
21	Keycam assembly	N123-097
22	Spindle	N523-013
23	Outside housing	24088544

No.	Description	Part number
24	Inside hub	24085037
29	Slide	N523-149
30	Slide clip	N523-025
37	Adjustment plate	N523-054
38	Spindle	N523-177 ✦
52	Gauge insert	23988066
53	Insert, inside hub	N523-160*

* Not sold separately as a part.

✦ Designates new parts or assemblies.

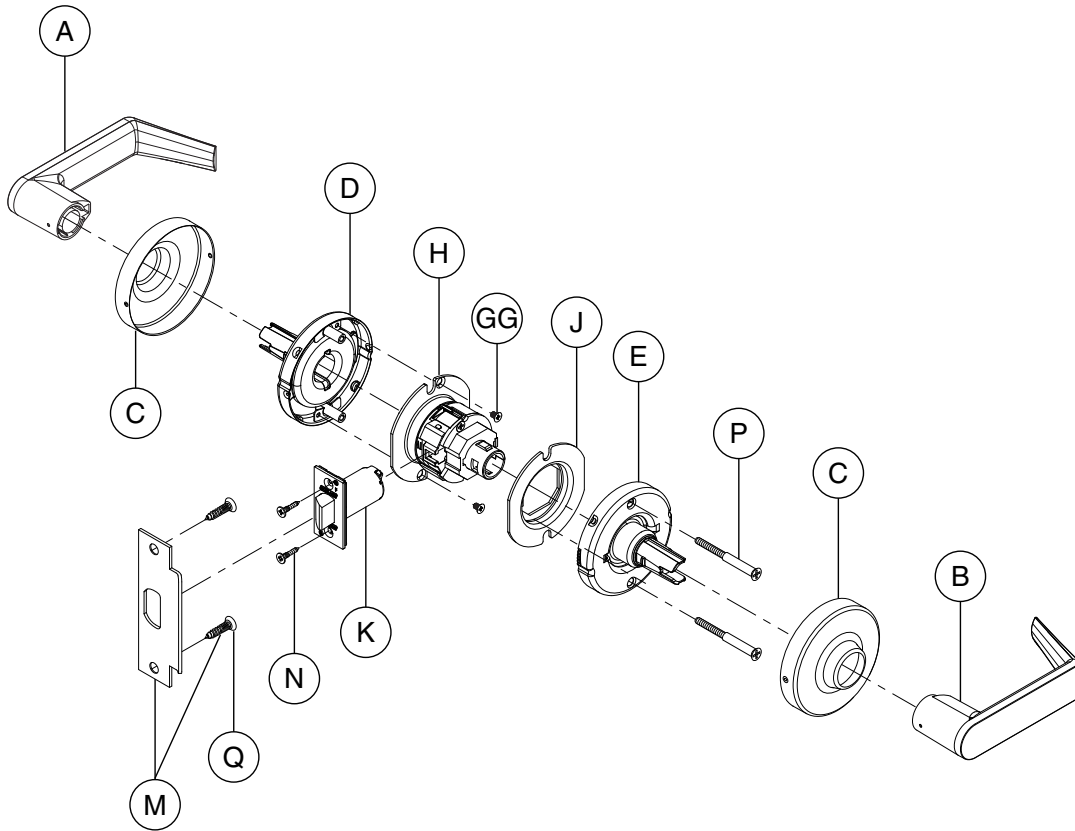
Chassis

Trim assemblies

- 52 Passage latch
- 53 Passage latch with request-to-exit
- 54 Exit lock
- 55 Exit lock with request-to-exit
- 56 Exit lock—electrically locked (fail safe) or electrically unlocked (fail secure)
- 57 Exit lock— electrically locked (fail safe) or electrically unlocked (fail secure) with request-to-exit
- 58 Single dummy trim
- 59 Exit lock with blank plate
- 60 Special—classroom exit lock
- 61 Special—storeroom exit lock
- 62 Special—patio lock
- 63 Bath/bedroom privacy lock
- 64 Hospital privacy lock
- 65 Time out lock with Vandlgard®
- 66 Entrance/office lock
- 67 Entrance/office lock
- 68 Vestibule lock
- 69 Special—ND60 with closed outside lever
- 70 Store lock
- 71 Classroom lock
- 72 Special—classroom by storeroom lock
- 73 Special—communicating lock
- 74 Special—communicating lock with Vandlgard®
- 75 Corridor lock
- 76 Classroom security lock
- 77 Storeroom lock
- 78 Storeroom lock with request-to-exit
- 79 Storeroom lock— electrically locked (fail safe) or electrically unlocked (fail secure)
- 80 Storeroom lock—electrically locked (fail safe) or electrically unlocked (fail secure) with request-to-exit
- 81 Institution lock
- 82 Faculty restroom lock
- 83 Entrance/office lock with Vandlgard®
- 84 Entrance lock with Vandlgard®
- 85 Vestibule with Vandlgard®
- 86 Classroom lock with Vandlgard®
- 87 Classroom security lock with Vandlgard®
- 88 Storeroom lock with Vandlgard®
- 89 Storeroom lock with Vandlgard® with request-to-exit
- 90 Storeroom lock with Vandlgard®— electrically locked (fail safe) or electrically unlocked (fail secure)
- 91 Storeroom lock with Vandlgard®—electrically locked (fail safe) or electrically unlocked (fail secure) with request-to-exit
- 92 Corridor lock with Vandlgard®

Passage latch

ND10



Letter	Description	Part number
A	Outside lever—closed	03-230 ✦
B	Inside lever—closed	03-230 ✦
C	Rose	03-042
D	Outside spring cage assembly—passage	N523-218 ✦
E	Inside spring cage assembly—standard	N523-221 ✦
H	Chassis	24088254*
J	Anti-rotation plate	N523-055

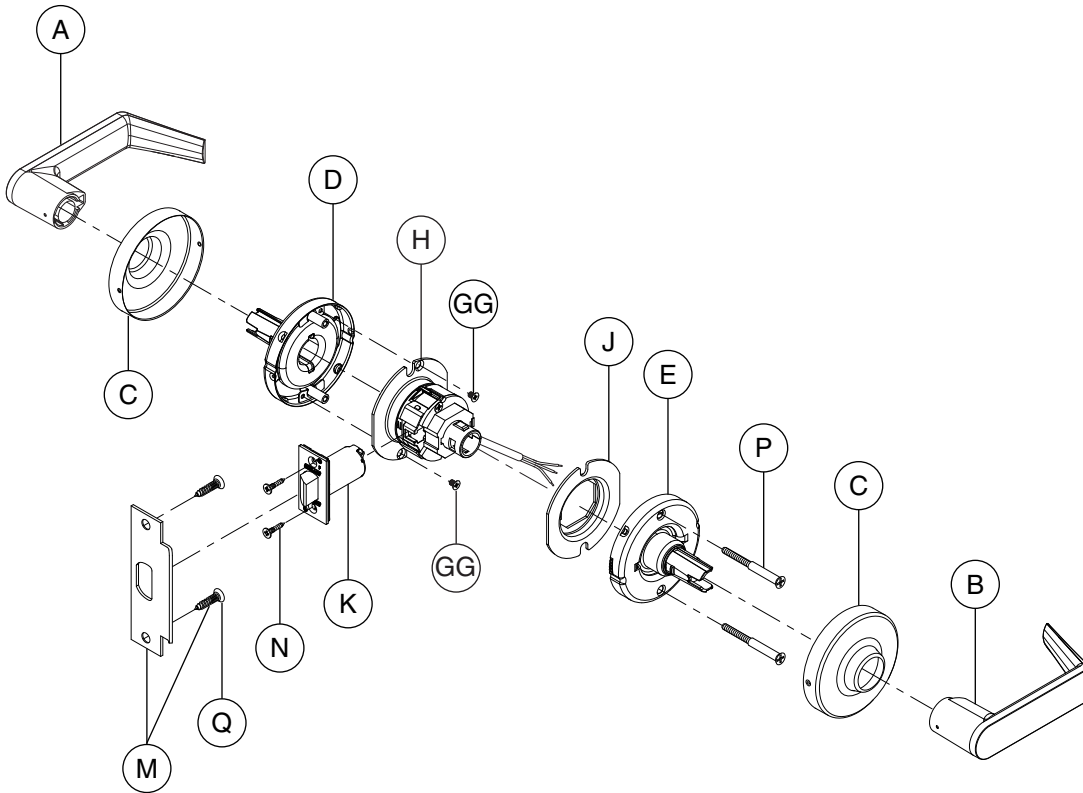
Letter	Description	Part number
K	Springlatch	13-248 ✦
M	Strike assembly	10-025
N	Latch screw	C603-897
P	Mounting screws	N523-021
Q	Strike screws	C603-256
GG	Adjustment plate screws	N523-240 ✦

* Chassis part number is for reference only.

✦ Designates new parts or assemblies.

Passage latch with request-to-exit

ND10 RX**



Letter	Description	Part number
A	Outside lever—closed	03-230 ↗
B	Inside lever—closed	03-230 ↗
C	Rose	03-042
D	Outside spring cage assembly—passage	N523-218 ↗
E	Inside spring cage assembly—standard	N523-221 ↗
H	Chassis	24088429*
J	Anti-rotation plate	N523-055

Letter	Description	Part number
K	Springlatch	13-248 ↗
M	Strike assembly	10-025
N	Latch screw	C603-897
P	Mounting screws	N523-021
Q	Strike screws	C603-256
GG	Adjustment plate screws	N523-240 ↗

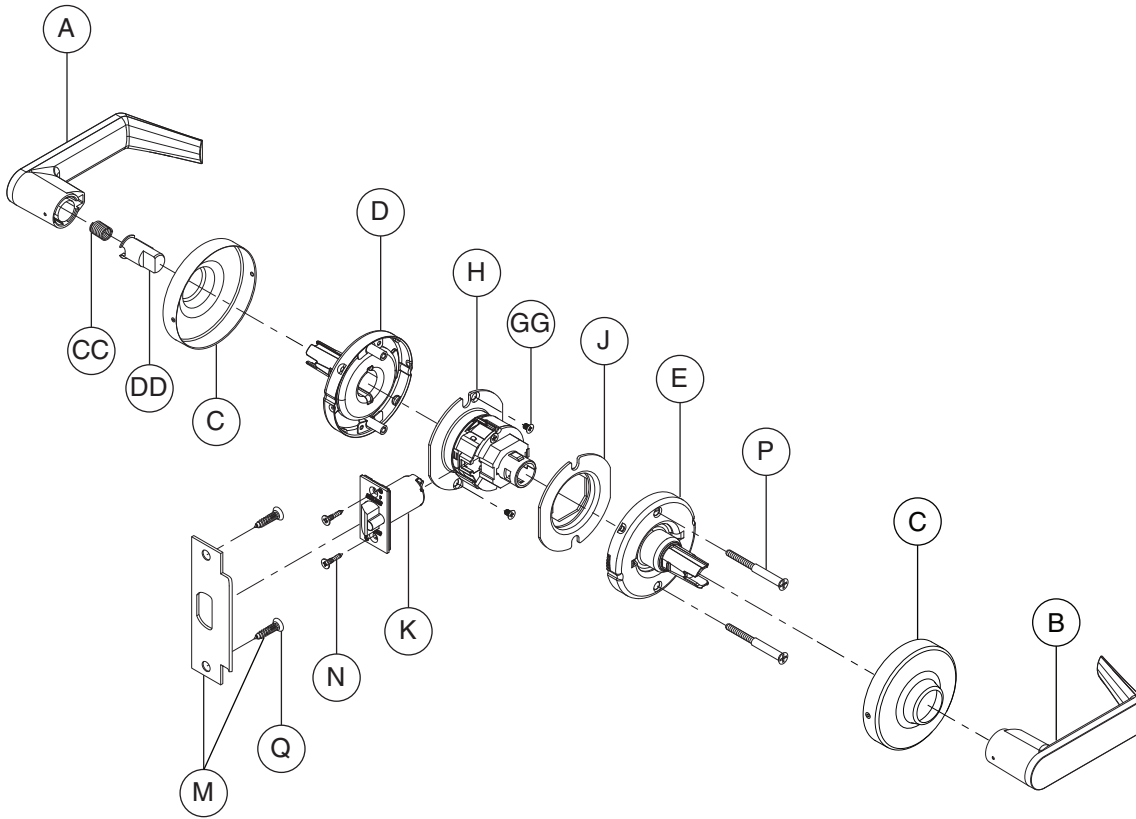
* Chassis part number is for reference only.

** For RX details, see **Request-to-exit feature** on page 106.

↗ Designates new parts or assemblies.

Exit lock

ND12



Letter	Description	Part number
A	Outside lever—closed	03-230 ✦
B	Inside lever—closed	03-230 ✦
C	Rose	03-042
D	Outside spring cage assembly—standard	N523-218 ✦
E	Inside spring cage assembly—standard	N523-221 ✦
H	Chassis	24088262*
J	Anti-rotation plate	N523-055
K	Deadlatch	13-247 ✦

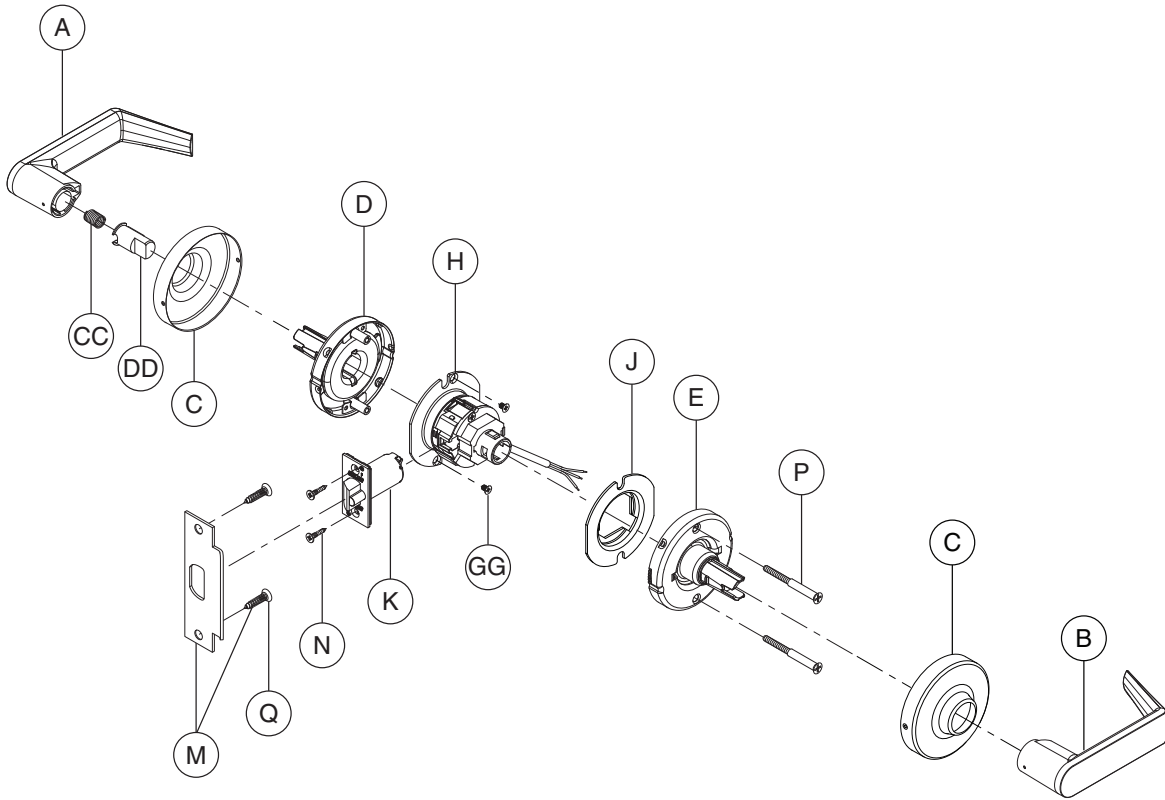
Letter	Description	Part number
M	Strike assembly	10-025
N	Latch screws	C603-897
P	Mounting screws	N523-021
Q	Strike screws	C603-256
CC	Spring, plunger	C503-331
DD	Catch stop	N523-041
GG	Adjustment plate screws	N523-240 ✦

* Chassis part number is for reference only.

✦ Designates new parts or assemblies.

Exit lock with request-to-exit

ND12 RX**



Letter	Description	Part number
A	Outside lever—closed	03-230 †
B	Inside lever—closed	03-230 †
C	Rose	03-042
D	Outside spring cage assembly—standard	N523-218 †
E	Inside spring cage assembly—standard	N523-221 †
H	Chassis	24088437*
J	Anti-rotation plate	N523-131
K	Deadlatch	13-247 †

Letter	Description	Part number
M	Strike assembly	10-025
N	Latch screws	C603-897
P	Mounting screws	N523-021
Q	Strike screws	C603-256
CC	Spring, plunger	C503-331
DD	Catch stop	N523-041
GG	Adjustment plate screws	N523-240 †

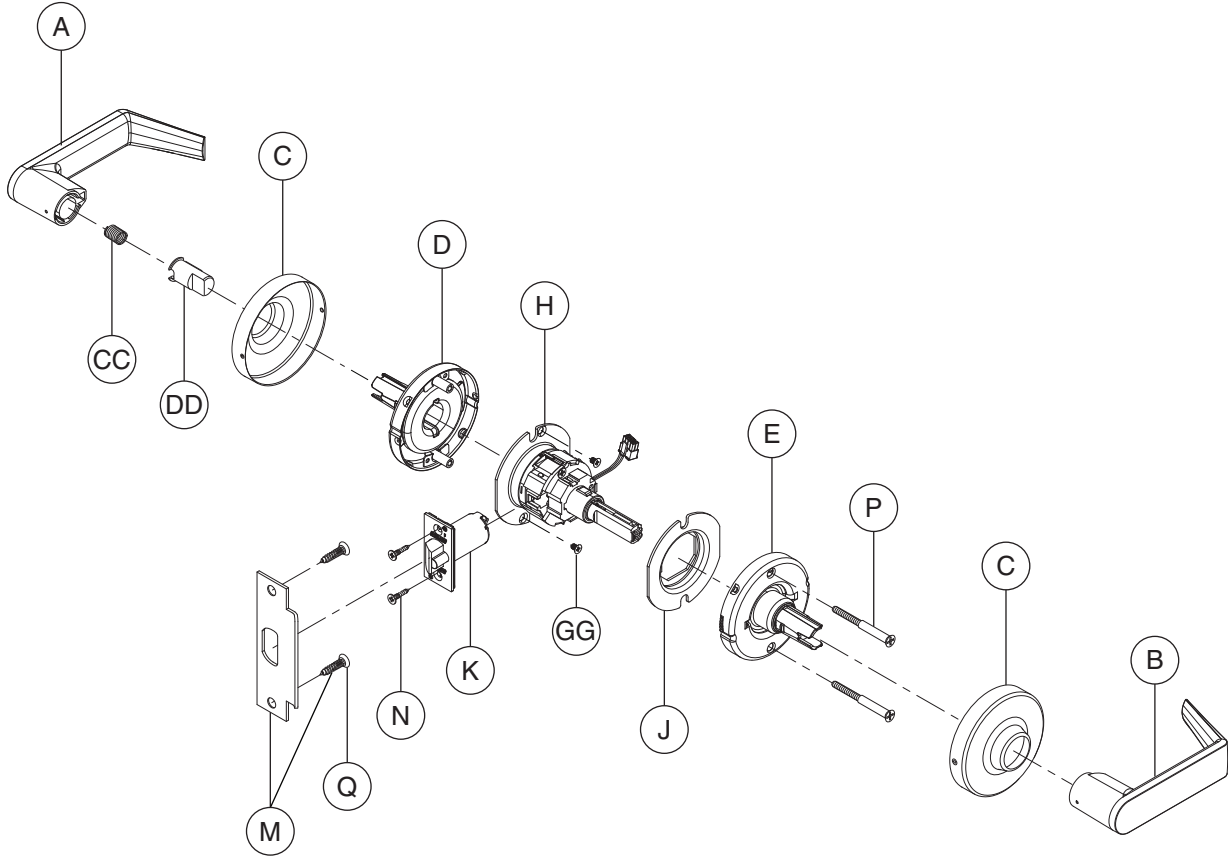
* Chassis part number is for reference only.

** For RX details, see **Request-to-exit feature** on page 106.

† Designates new parts or assemblies.

Exit lock—electrically locked (fail safe) or electrically unlocked (fail secure)

ND12EL or ND12EU**



Letter	Description	Part number
A	Outside lever—closed	03-230 ✦
B	Inside lever—closed	03-230 ✦
C	Rose	03-042
D	Outside spring cage assembly—standard	N523-218 ✦
E	Inside spring cage assembly—standard	N523-221 ✦
H	Chassis, electrically locked	63-180*✦
	Chassis, electrically unlocked	63-181*✦
J	Anti-rotation plate	N523-055

Letter	Description	Part number
K	Deadlatch	13-247 ✦
M	Strike assembly	10-025
N	Latch screw	C603-897
P	Mounting screw	N523-021
Q	Strike screw	C603-256
CC	Spring, plunger	C503-331
DD	Catch stop	N523-041
GG	Adjustment plate screws	N523-240 ✦

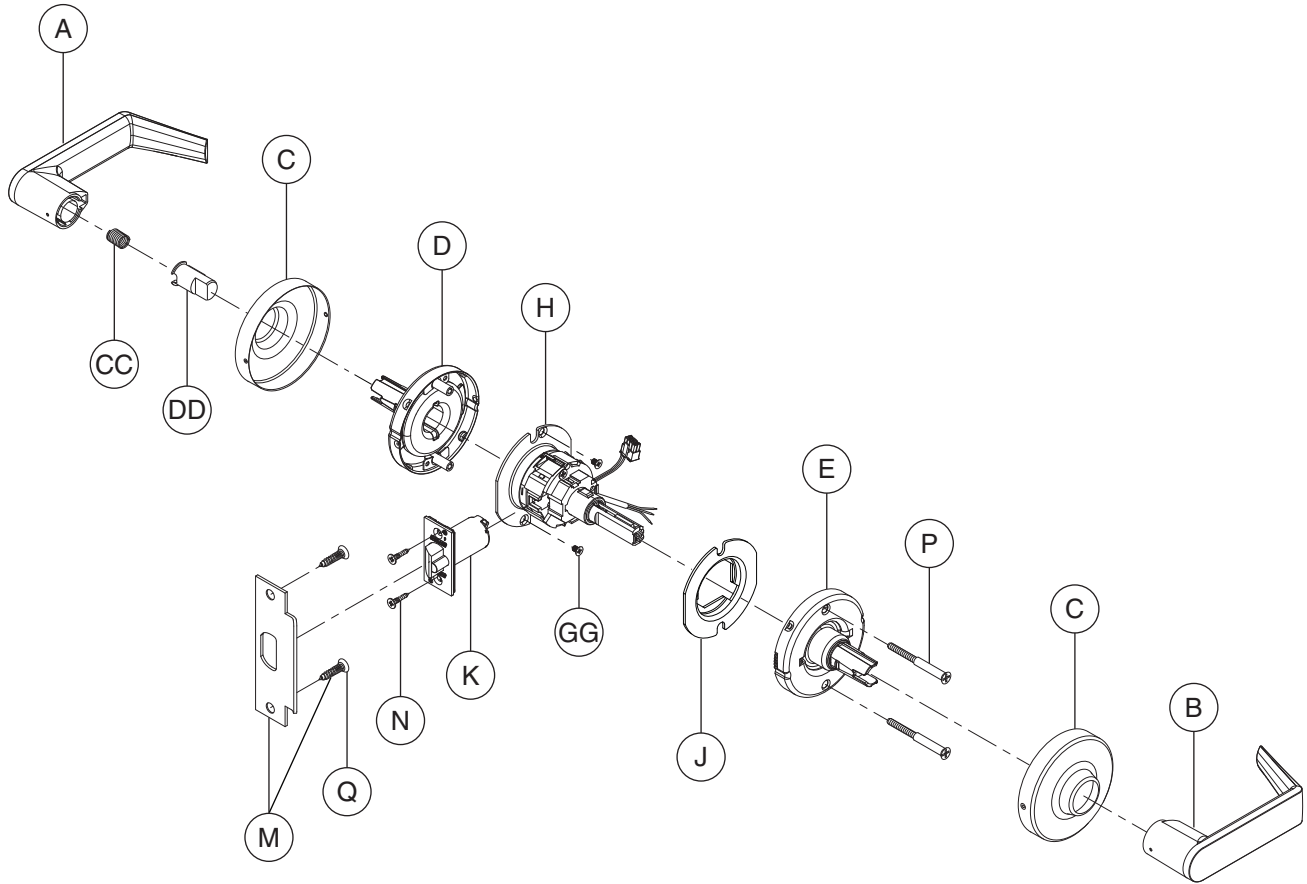
* Chassis part number is for reference only.

** For electrified lock details, see **Electrified locks** on page 105.

✦ Designates new parts or assemblies.

Exit lock— electrically locked (fail safe) or electrically unlocked (fail secure) with request-to-exit

ND12EL RX or ND12EU RX**



Letter	Description	Part number
A	Outside lever—closed	03-230 ↯
B	Inside lever—closed	03-230 ↯
C	Rose	03-042
D	Outside spring cage—standard	N523-218 ↯
E	Inside spring cage—standard	N523-221 ↯
H	Chassis, electrically locked	63-184*↯
	Chassis, electrically unlocked	63-185*↯
J	Anti-rotation plate	N523-131

Letter	Description	Part number
K	Deadlatch	13-247 ↯
M	Strike assembly	10-025
N	Latch screw	C603-897
P	Mounting screw	N523-021
Q	Strike screw	C603-256
CC	Spring, plunger	C503-331
DD	Catch stop	N523-041
GG	Adjustment plate screws	N523-240 ↯

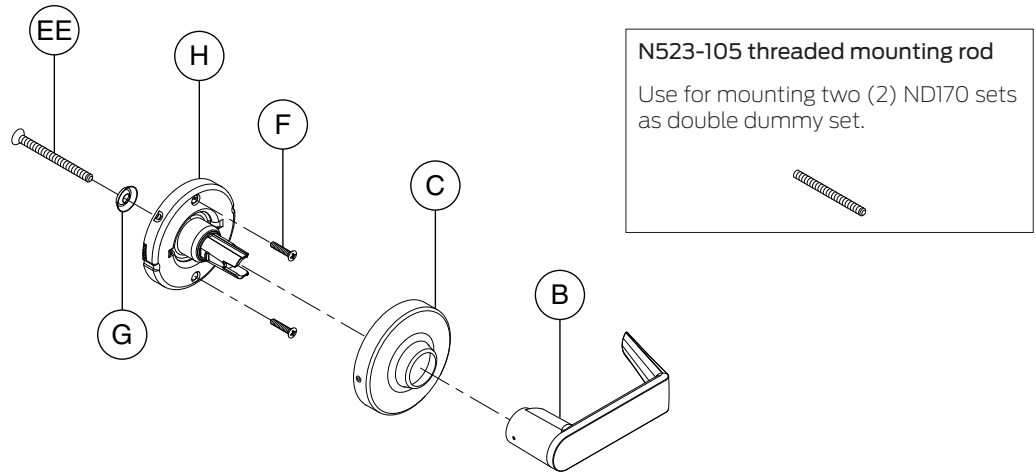
* Chassis part number is for reference only.

** For electrified lock details, see **Electrified locks** on page 105. For RX details, see **Request-to-exit feature** on page 106.

↯ Designates new parts or assemblies.

Single dummy trim

ND170



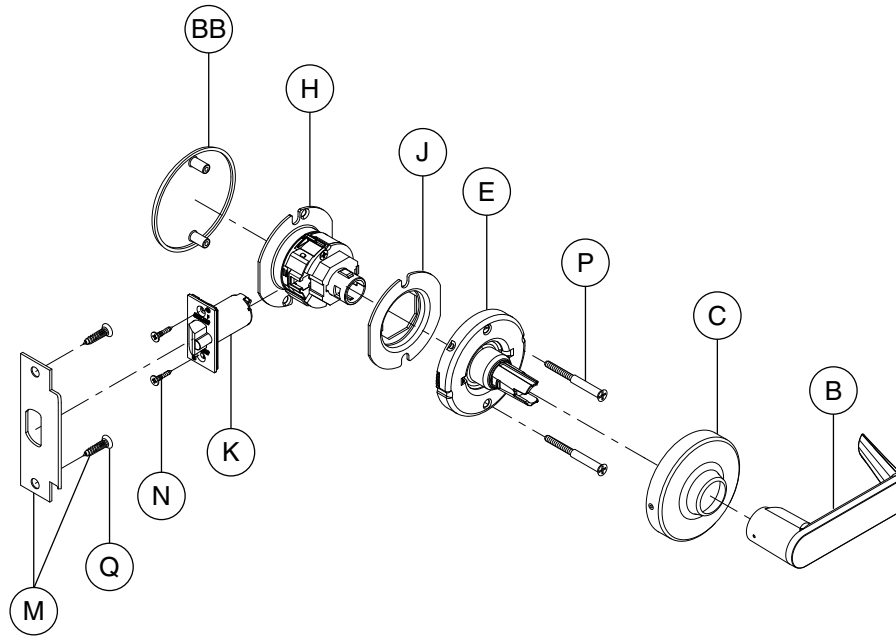
Letter	Description	Part number
B	Inside lever—closed	03-230 ↗
C	Rose	03-042
F	Dummy mounting screws	L583-133

Letter	Description	Part number
G	Washer	A501-171
H	Spring cage assembly, dummy	N523-223 ↗
EE	Dummy through bolt	N523-092

↗ Designates new parts or assemblies.

Exit lock with blank plate

ND25



Letter	Description	Part number
B	Inside lever—closed	03-230 ⇨
C	Rose	03-042
E	Inside spring cage assembly—standard	N523-221 ⇨
H	Chassis	24088296*
J	Anti-rotation plate	N523-055
K	Deadlatch	13-247 ⇨

Letter	Description	Part number
M	Strike assembly	10-025
N	Latch screws	C603-897
P	Mounting screws	N523-021
Q	Strike screws	C603-256
BB	Blank plate	N523-002

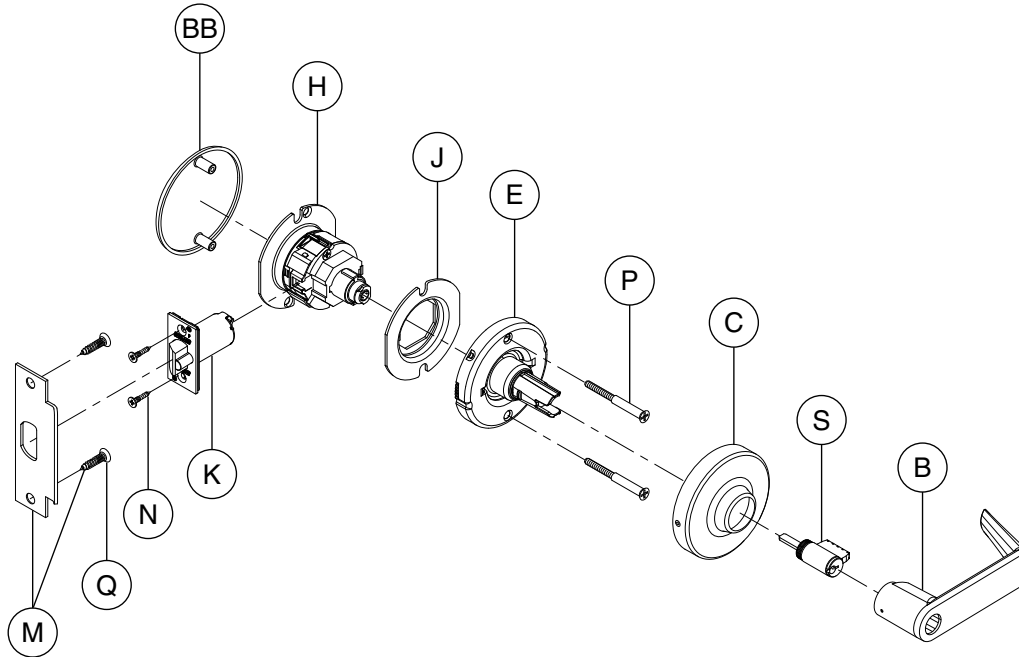
* Chassis part number is for reference only.

⇨ Designates new parts or assemblies.

Special—classroom exit lock

ND25X70

ND25X70PD (shown), ND25X70RD ✓, ND25X70GD ✓



Letter	Description	Part number
B	Inside lever—open (cylinder)	03-231 ✦
C	Rose	03-042
E	Inside spring cage—keyed inside except SFIC	N523-222 ✦
H	Chassis	24088213*
J	Anti-rotation plate	N523-055
K	Deadlatch	13-247 ✦

Letter	Description	Part number
M	Strike assembly	10-025
N	Latch screws	C603-897
P	Mounting screws	N523-021
Q	Strike screws	C603-256
S	Cylinder—6-pin	23-065
BB	Blank plate	N523-002

✓ For RD (Full Size Interchangeable Core) and GD (SFIC) inside trim configurations, see 98.

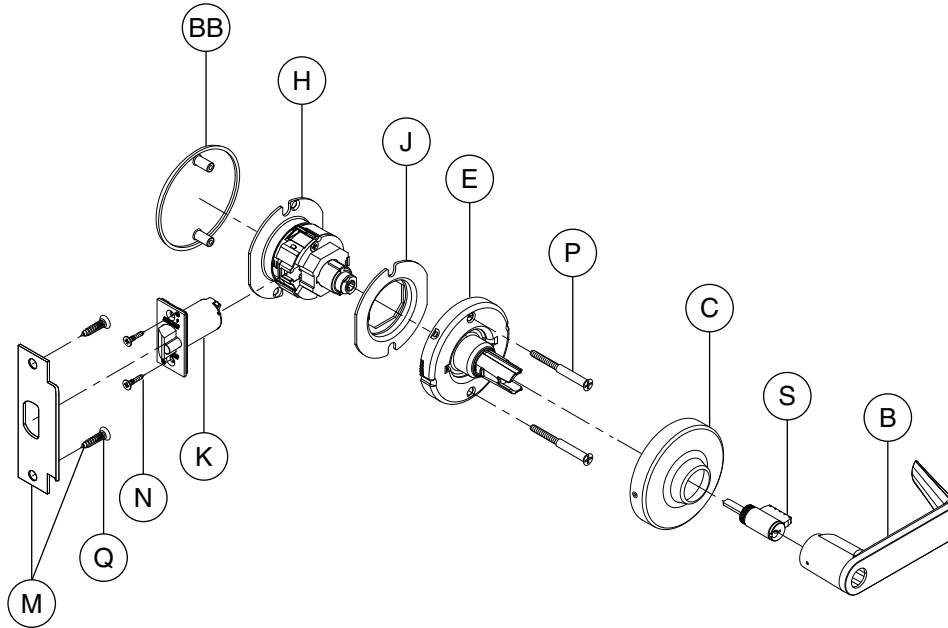
* Chassis part number is for reference only.

✦ Designates new parts or assemblies.

Special—storeroom exit lock

ND25X80

ND25X80PD (shown), ND25X80RD ✓, ND25X80GD ✓



Letter	Description	Part number
B	Inside lever—open (cylinder)	03-231 ✦
C	Rose	03-042
E	Inside spring cage—keyed inside except SFIC	N523-222 ✦
H	Chassis	24088221*
J	Anti-rotation plate	N523-055
K	Deadlatch	13-247 ✦

Letter	Description	Part number
M	Strike assembly	10-025
N	Latch screws	C603-897
P	Mounting screws	N523-021
Q	Strike screwsx	C603-256
S	Cylinder—6-pin	23-065
BB	Blank plate	N523-002

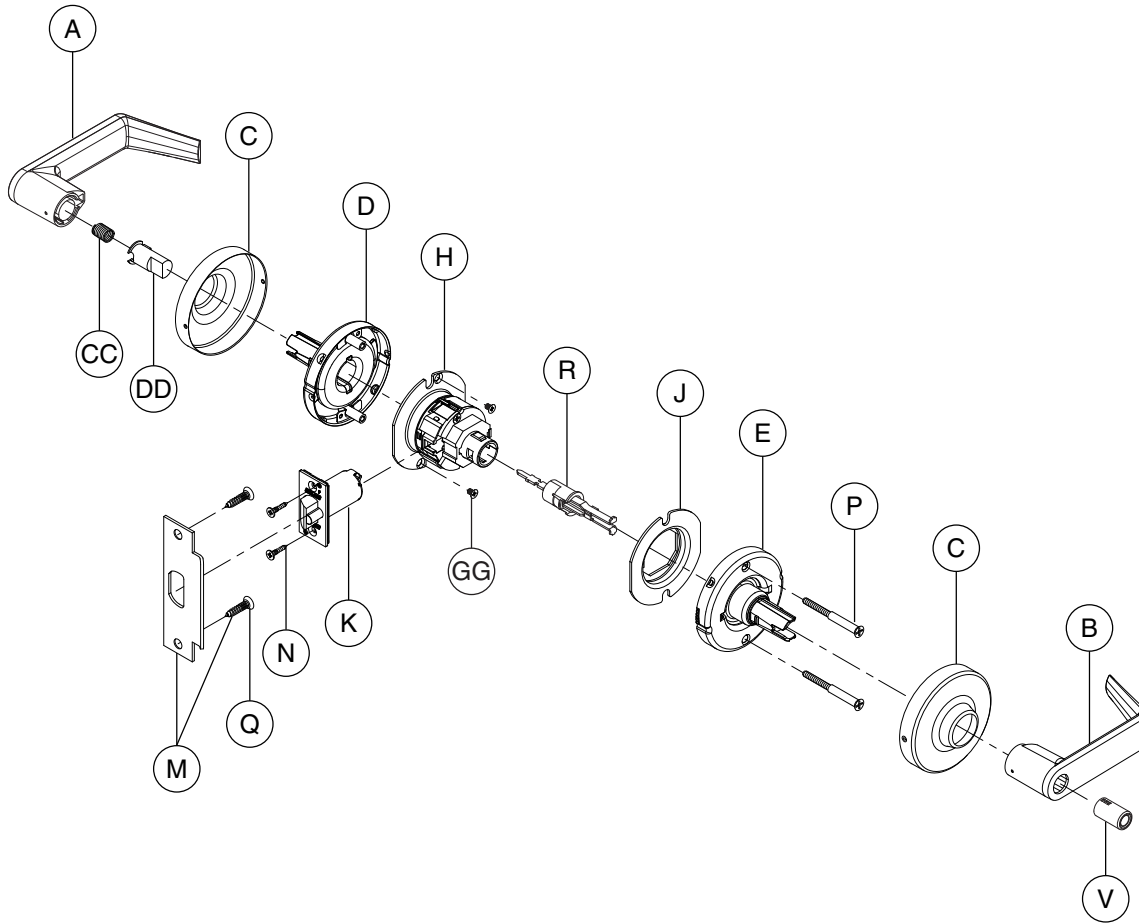
✓ For RD (Full Size Interchangeable Core) and GD (SFIC) inside trim configurations, see 98.

* Chassis part number is for reference only.

✦ Designates new parts or assemblies.

Special—patio lock

ND30



Letter	Description	Part number
A	Outside lever—closed	03-230 ↯
B	Inside lever—open (button)	03-233 ↯
C	Rose	03-042
D	Outside spring cage assembly—standard	N523-218 ↯
E	Inside spring cage assembly—standard	N523-221 ↯
H	Chassis	24088304*
J	Anti-rotation plate	N523-055
K	Deadlatch	13-247 ↯
M	Strike assembly	10-025

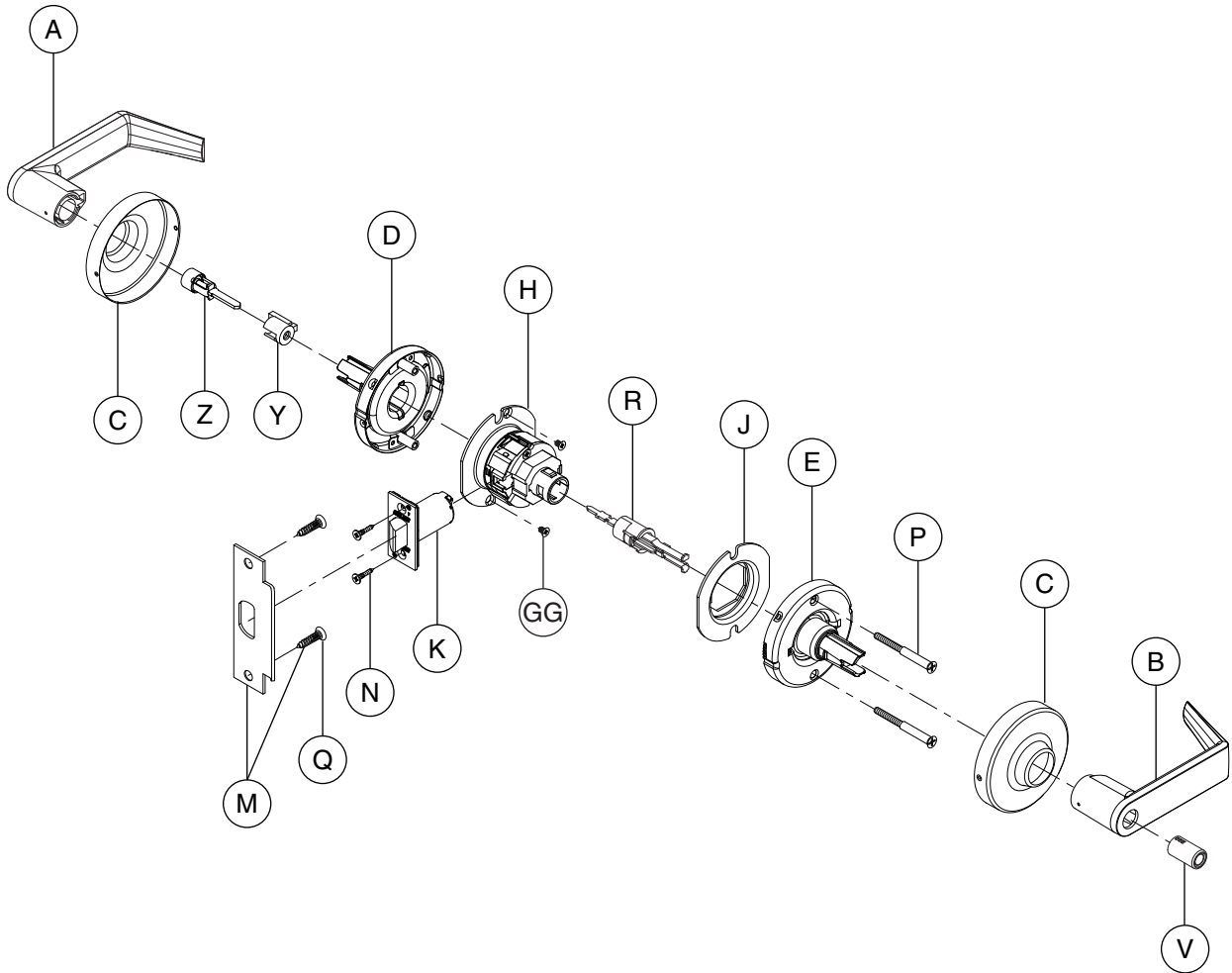
Letter	Description	Part number
N	Latch screws	C603-897
P	Mounting screws	N523-021
Q	Strike screws	C603-256
R	Plunger assembly—push button	N123-086 ↯
V	Push button	N523-209 ↯
CC	Spring, plunger	C503-331
DD	Catch stop	N523-041
GG	Adjustment plate screws	N523-240 ↯

* Chassis part number is for reference only.

↯ Designates new parts or assemblies.

Bath/bedroom privacy lock

ND40



Letter	Description	Part number
A	Outside lever—open (cylinder)	03-231 ✦
B	Inside lever—open (button)	03-233 ✦
C	Rose	03-042
D	Outside spring cage assembly—standard	N523-218 ✦
E	Inside spring cage assembly—standard	N523-221 ✦
H	Chassis	24088304*
J	Anti-rotation plate	N523-055
K	Springlatch	13-248 ✦
M	Strike assembly	10-025

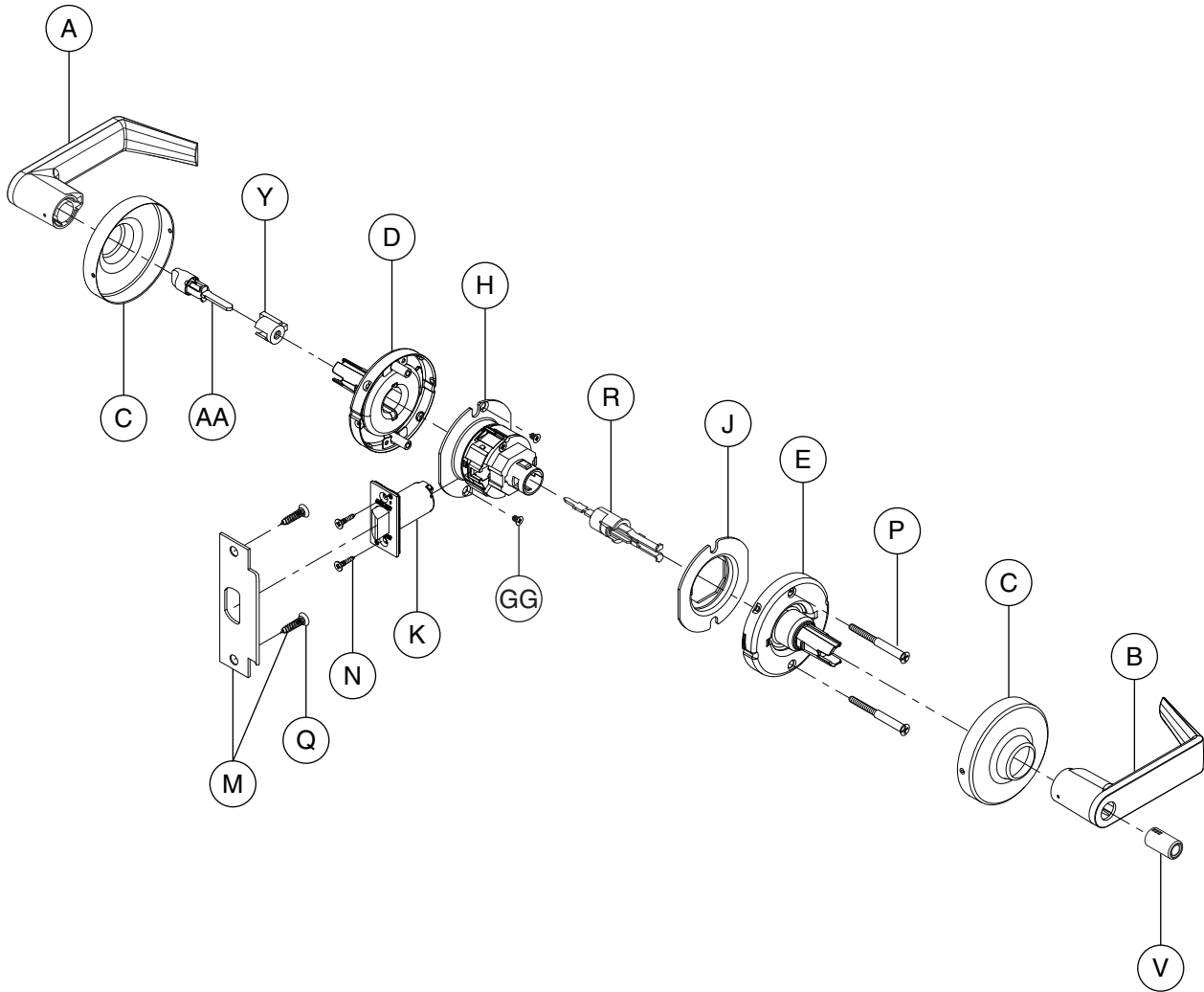
Letter	Description	Part number
N	Latch screws	C603-897
P	Mounting screws	N523-021
Q	Strike screws	C603-256
R	Plunger assembly—push button	N123-086 ✦
V	Push button	N523-209 ✦
Y	Emergency cylinder	N523-020
Z	Emergency button and plunger	N123-034
GG	Adjustment plate screws	N523-240 ✦

* Chassis part number is for reference only.

✦ Designates new parts or assemblies.

Hospital privacy lock

ND44



Letter	Description	Part number
A	Outside lever—open (cylinder)	03-231 ✦
B	Inside lever—open (button)	03-233 ✦
C	Rose	03-042
D	Outside spring cage assembly—standard	N523-218 ✦
E	Inside spring cage assembly—standard	N523-221 ✦
H	Chassis	24088304*
J	Anti-rotation plate	N523-055
K	Springlatch	13-248 ✦
M	Strike assembly	10-025

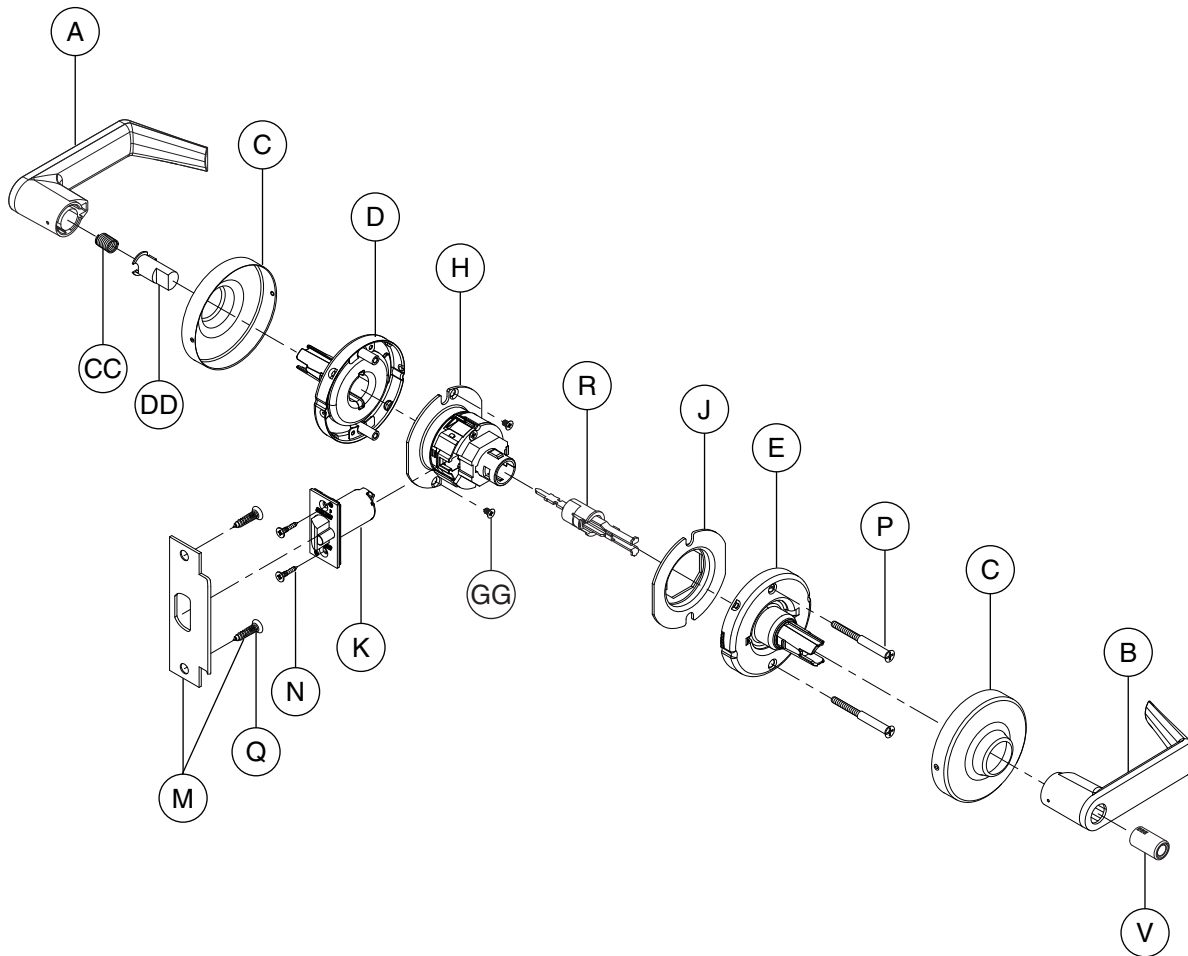
Letter	Description	Part number
N	Latch screws	C603-897
P	Mounting screws	N523-021
Q	Strike screws	C603-256
R	Plunger assembly—push button	N123-086 ✦
V	Push button	N523-209 ✦
Y	Emergency cylinder	N523-020
AA	Emergency turn button and plunger	N123-035
GG	Adjustment plate screws	N523-240 ✦

* Chassis part number is for reference only.

✦ Designates new parts or assemblies.

Time out lock with Vandlgard®

ND45



Letter	Description	Part number
A	Outside lever—closed	03-230 ✦
B	Inside lever—open (button)	03-233 ✦
C	Rose	03-042
D	Outside spring cage assembly—standard	N523-218 ✦
E	Inside spring cage assembly—standard	N523-221 ✦
H	Chassis	24210718*
J	Anti-rotation plate	N523-055
K	Deadlatch	13-247 ✦
M	Strike assembly	10-025

Letter	Description	Part number
N	Latch screws	C603-897
P	Mounting screws	N523-021
Q	Strike screws	C603-256
R	Plunger assembly—push button	N123-086 ✦
V	Push button	N523-209 ✦
CC	Spring, plunger	C503-331
DD	Catch stop	N523-041
GG	Adjustment plate screws	N523-240 ✦

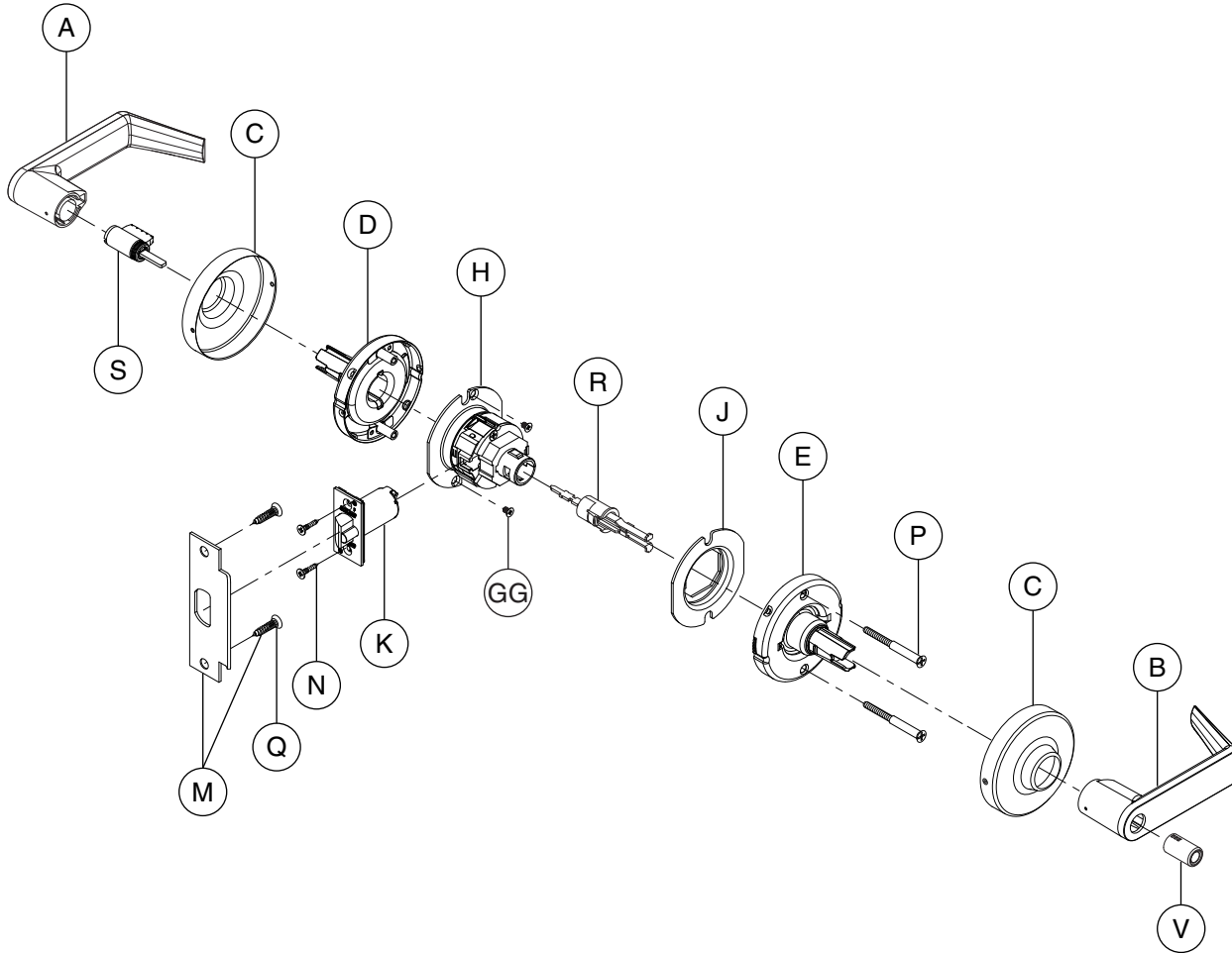
* Chassis part number is for reference only.

✦ Designates new parts or assemblies.

Entrance/office lock

ND50

ND50PD (shown), ND50RD ✓, ND50GD ✓



Letter	Description	Part number
A	Outside lever—open (cylinder)	03-231 ✦
B	Inside lever—open (button)	03-233 ✦
C	Rose	03-042
D	Outside spring cage assembly—standard	N523-218 ✦
E	Inside spring cage assembly—standard	N523-221 ✦
H	Chassis	24088247*
J	Anti-rotation plate	N523-055
K	Deadlatch	13-247 ✦

Letter	Description	Part number
M	Strike assembly	10-025
N	Latch screw	C603-897
P	Mounting screw	N523-021
Q	Strike screw	C603-256
R	Plunger—push button	N123-086 ✦
S	Cylinder—6-pin	23-065
V	Push button	N523-209 ✦
GG	Adjustment plate screws	N523-240 ✦

✓ For RD (Full Size Interchangeable Core) and GD (SFIC) inside trim configurations, see 98.

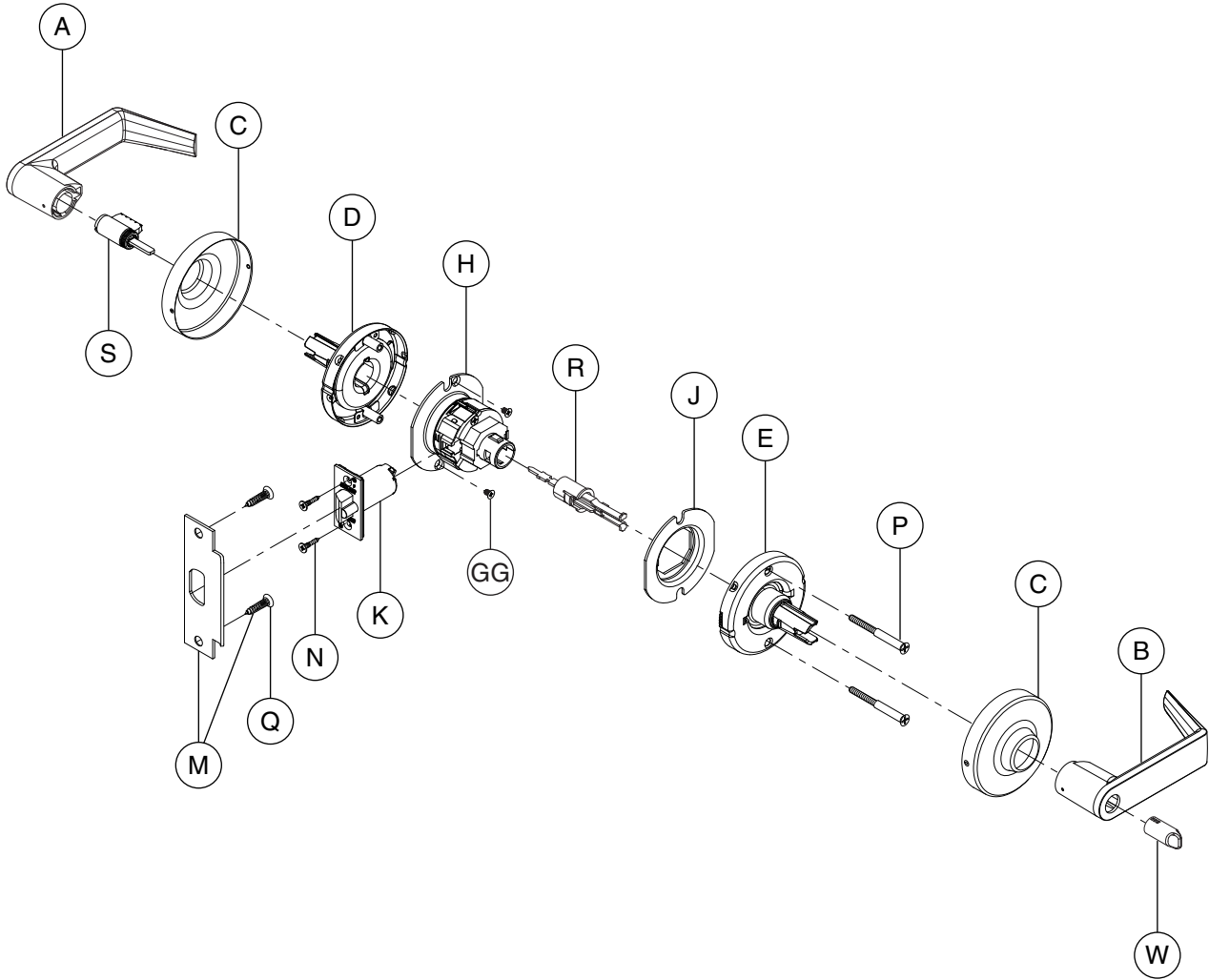
* Chassis part number is for reference only.

✦ Designates new parts or assemblies.

Entrance/office lock

ND53

ND53PD (shown), ND53RD ✓, ND53GD ✓



Letter	Description	Part number
A	Outside lever—open (cylinder)	03-231 ✦
B	Inside lever—open (button)	03-233 ✦
C	Rose	03-042
D	Outside spring cage—standard	N523-218 ✦
E	Inside spring cage—standard	N523-221 ✦
H	Chassis	24088247*
J	Anti-rotation plate	N523-055
K	Deadlatch	13-247 ✦

Letter	Description	Part number
M	Strike assembly	10-025
N	Latch screw	C603-897
P	Mounting screw	N523-021
Q	Strike screw	C603-256
R	Plunger—push and turn	N123-085 ✦
S	Cylinder—6-pin	23-065
W	Push and turn button	N523-210 ✦
GG	Adjustment plate screws	N523-240 ✦

✓ For RD (Full Size Interchangeable Core) and GD (SFIC) inside trim configurations, see 98.

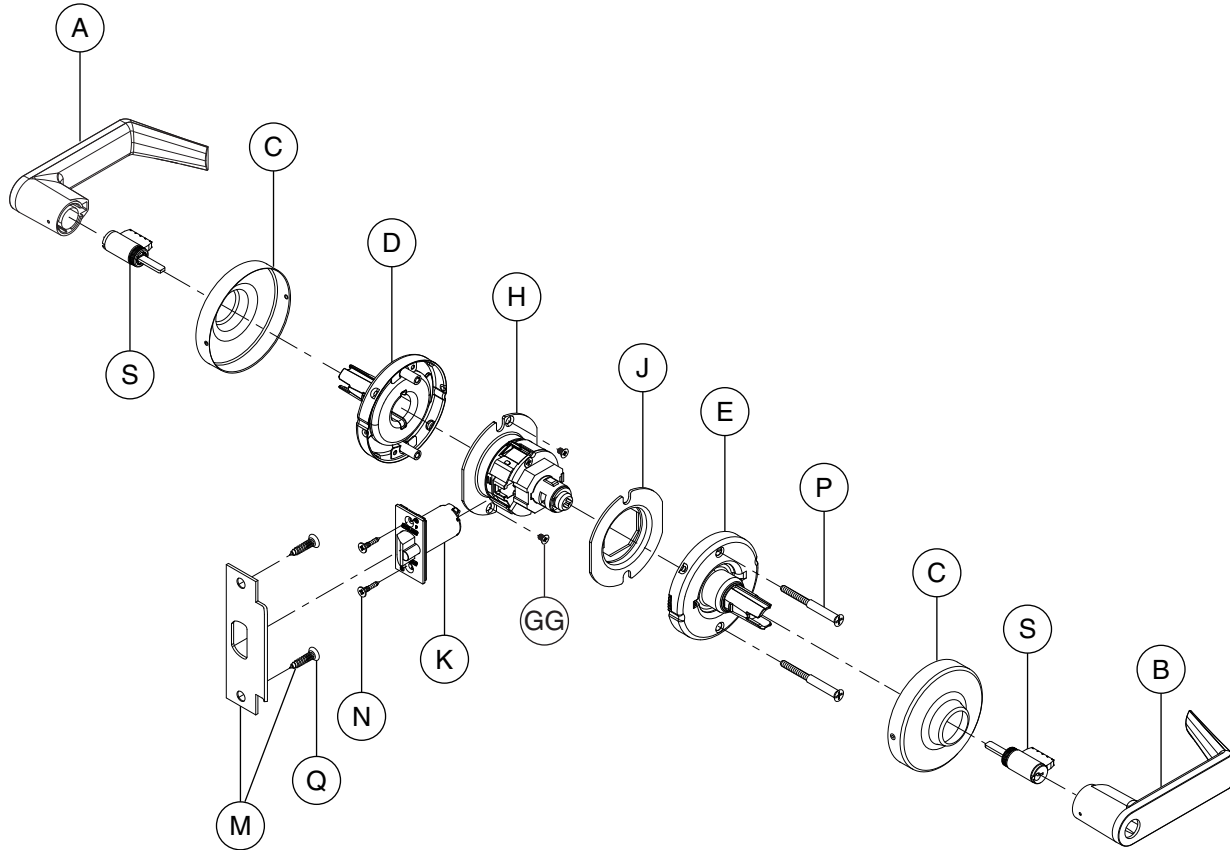
* Chassis part number is for reference only.

✦ Designates new parts or assemblies.

Vestibule lock

ND60

ND60PD (shown), ND60RD ✓, ND60GD ✓



Letter	Description	Part number
A	Outside lever—open (cylinder)	03-231 ✦
B	Inside lever—open (cylinder)	03-231 ✦
C	Rose	03-042
D	Outside spring cage—standard	N523-218 ✦
E	Inside spring cage—keyed inside except SFIC	N523-222 ✦
H	Chassis	24088320*
J	Anti-rotation plate	N523-055

Letter	Description	Part number
K	Deadlatch	13-247 ✦
M	Strike assembly	10-025
N	Latch screw	C603-897
P	Mounting screw	N523-021
Q	Strike screw	C603-256
S	Cylinder—6-pin	23-065
GG	Adjustment plate screws	N523-240 ✦

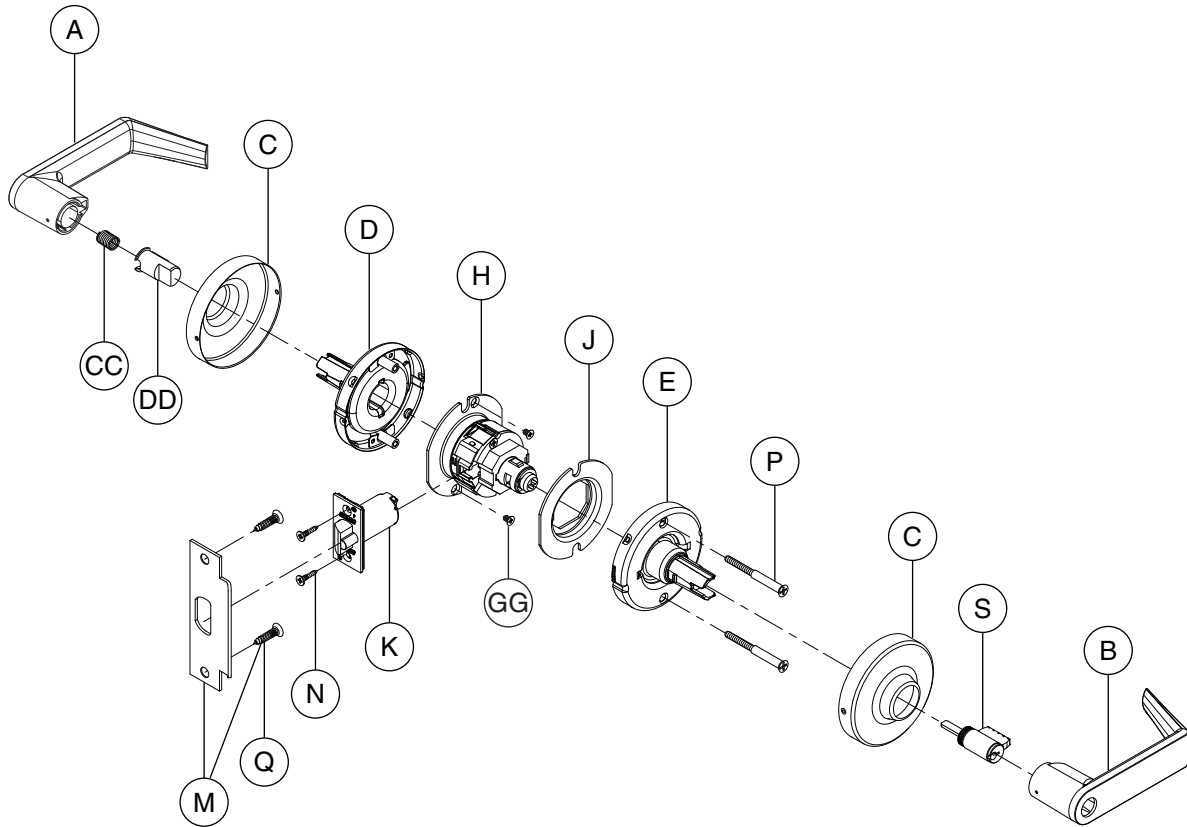
✓ For RD (Full Size Interchangeable Core) and GD (SFIC) inside trim configurations, see 98.

* Chassis part number is for reference only.

✦ Designates new parts or assemblies.

Special—ND60 with closed outside lever

ND60PD with closed outside lever (shown), ND60RD ✓, ND60GD ✓



Letter	Description	Part number
A	Outside lever—closed	03-230 ✦
B	Inside lever—open (cylinder)	03-231 ✦
C	Rose	03-042
D	Outside spring cage—standard	N523-218 ✦
E	Inside spring cage—keyed inside except SFIC	N523-222 ✦
H	Chassis	24088320*
J	Anti-rotation plate	N523-055
K	Deadlatch	13-247 ✦

Letter	Description	Part number
M	Strike assembly	10-025
N	Latch screw	C603-897
P	Mounting screw	N523-021
Q	Strike screw	C603-256
S	Cylinder—6-pin	23-065
CC	Spring	C503-331
DD	Catch stop	N523-041
GG	Adjustment plate screws	N523-240 ✦

✓ For RD (Full Size Interchangeable Core) and GD (SFIC) inside trim configurations, see 98.

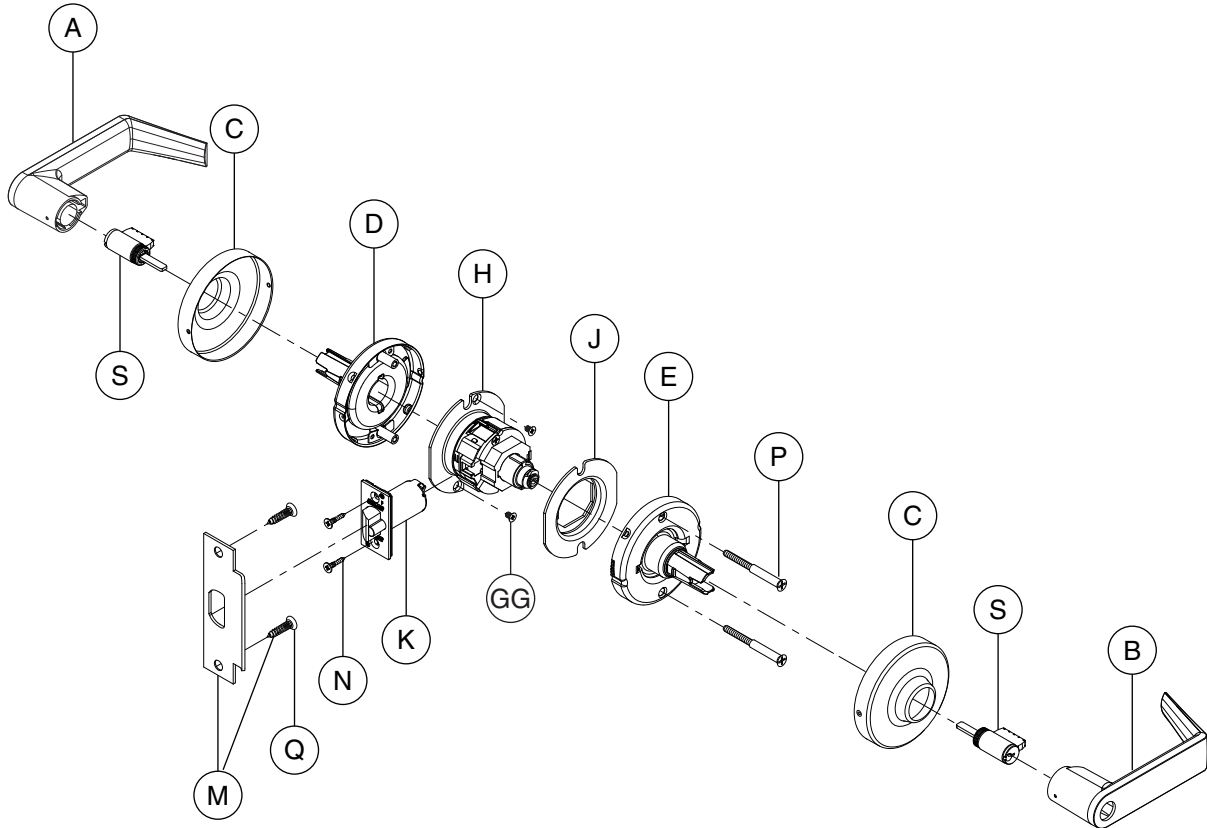
* Chassis part number is for reference only.

✦ Designates new parts or assemblies.

Store lock

ND66

ND66PD (shown), ND66RD ✓, ND66GD ✓



Letter	Description	Part number
A	Outside lever—open (cylinder)	03-231 ✦
B	Inside lever—open (cylinder)	03-231 ✦
C	Rose	03-042
D	Outside spring cage—standard	N523-218 ✦
E	Inside spring cage—keyed inside except SFIC	N523-222 ✦
H	Chassis	24088338*
J	Anti-rotation plate	N523-055

Letter	Description	Part number
K	Deadlatch	13-247 ✦
M	Strike assembly	10-025
N	Latch screw	C603-897
P	Mounting screw	N523-021
Q	Strike screw	C603-256
S	Cylinder—6-pin	23-065
GG	Adjustment plate screws	N523-240 ✦

✓ For RD (Full Size Interchangeable Core) and GD (SFIC) inside trim configurations, see 98.

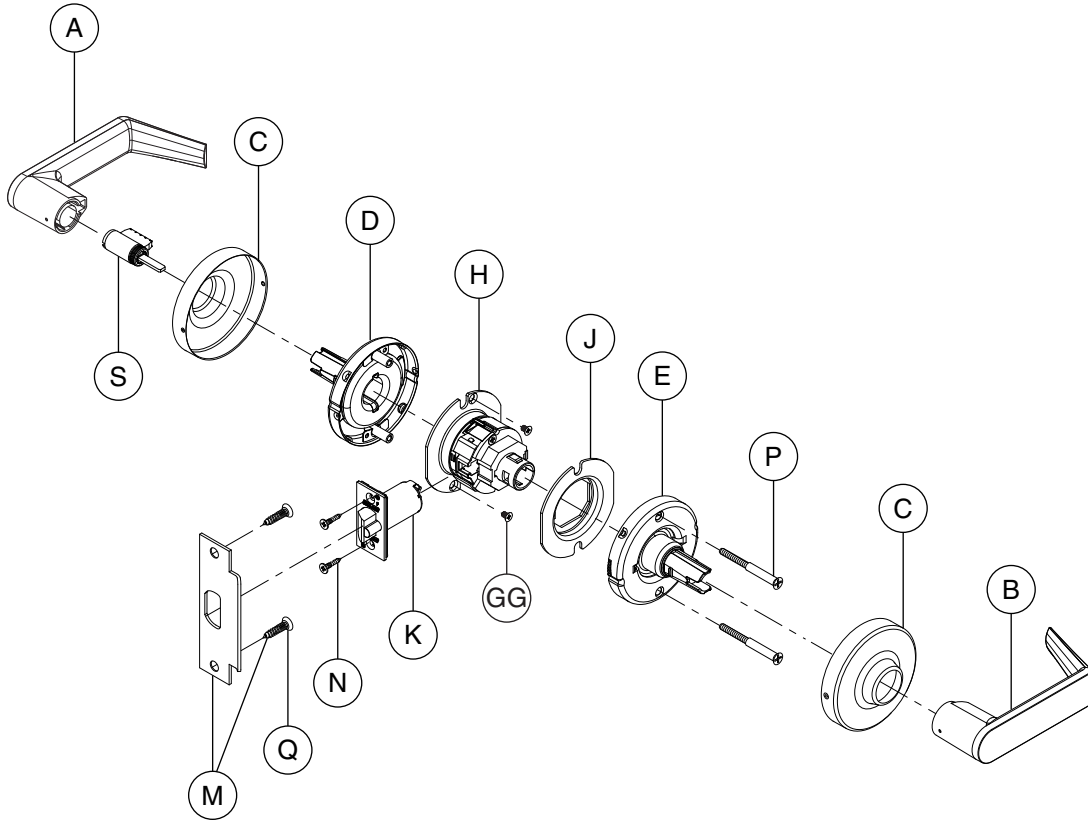
* Chassis part number is for reference only.

✦ Designates new parts or assemblies.

Classroom lock

ND70

ND70PD (shown), ND70RD ✓, ND70GD ✓



Letter	Description	Part number
A	Outside lever—open (cylinder)	03-231 ✦
B	Inside lever—closed	03-230 ✦
C	Rose	03-042
D	Outside spring cage—standard	N523-218 ✦
E	Inside spring cage—standard	N523-221 ✦
H	Chassis	24088346*
J	Anti-rotation plate	N523-055

Letter	Description	Part number
K	Deadlatch	13-247 ✦
M	Strike assembly	10-025
N	Latch screw	C603-897
P	Mounting screw	N523-021
Q	Strike screw	C603-256
S	Cylinder—6-pin	23-065
GG	Adjustment plate screws	N523-240 ✦

✓ For RD (Full Size Interchangeable Core) and GD (SFIC) inside trim configurations, see 98.

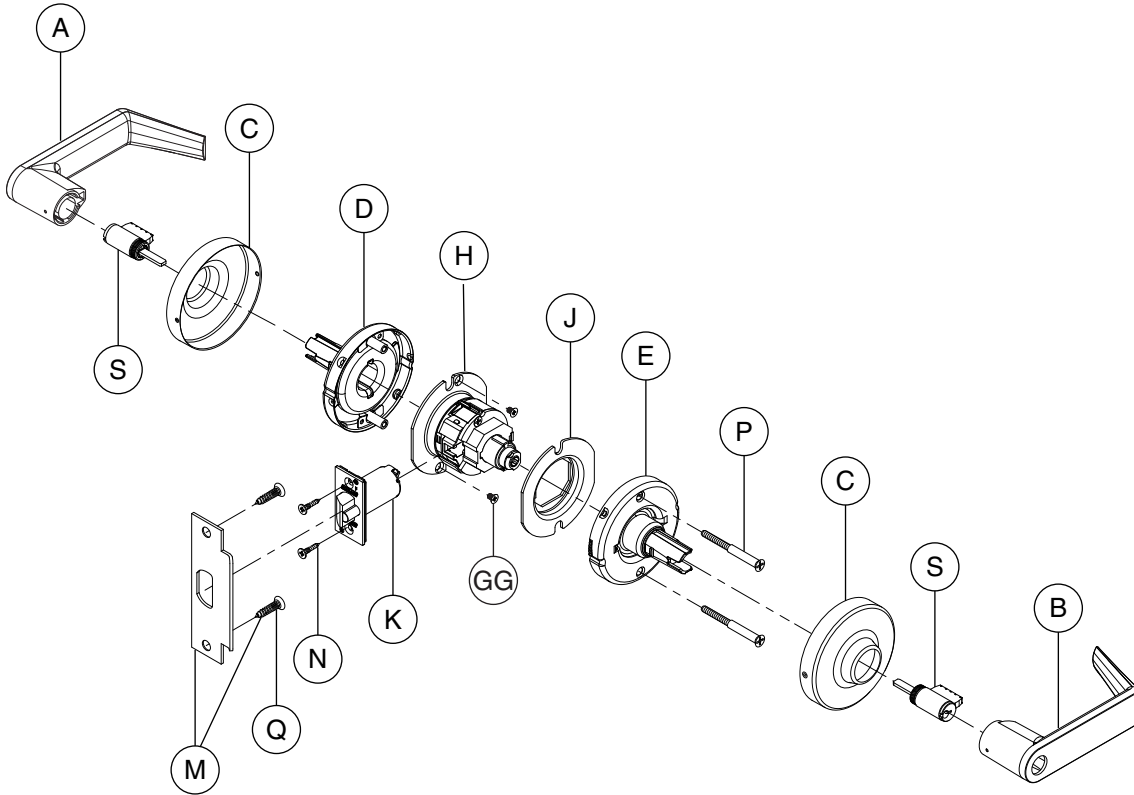
* Chassis part number is for reference only.

✦ Designates new parts or assemblies.

Special—classroom by storeroom lock

ND70X80

ND70X80PD (shown), NDX80RD ✓, ND70X80GD ✓



Letter	Description	Part number
A	Outside lever—open (cylinder)	03-231 ✦
B	Inside lever—open (cylinder)	03-231 ✦
C	Rose	03-042
D	Outside spring cage—standard	N523-218 ✦
E	Inside spring cage—keyed inside except SFIC	N523-222 ✦
H	Chassis	24088239*
J	Anti-rotation plate	N523-055

Letter	Description	Part number
K	Deadlatch	13-247 ✦
M	Strike assembly	10-025
N	Latch screw	C603-897
P	Mounting screw	N523-021
Q	Strike screw	C603-256
S	Cylinder—6-pin	23-065
GG	Adjustment plate screws	N523-240 ✦

✓ For RD (Full Size Interchangeable Core) and GD (SFIC) inside trim configurations, see 98.

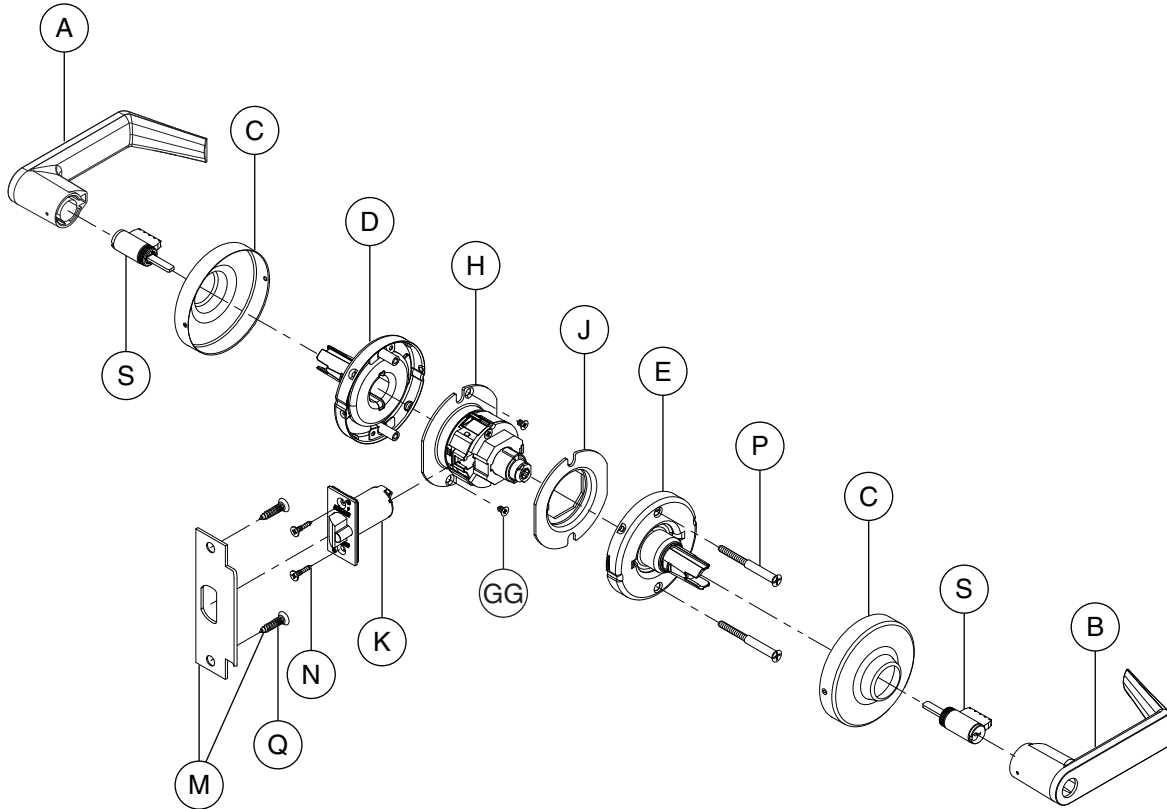
* Chassis part number is for reference only.

✦ Designates new parts or assemblies.

Special—communicating lock

ND72

ND72PD (shown), ND72RD ✓, ND72GD ✓



Letter	Description	Part number
A	Outside lever—open (cylinder)	03-231 ✦
B	Inside lever—open (cylinder)	03-231 ✦
C	Rose	03-042
D	Outside spring cage—standard	N523-218 ✦
E	Inside spring cage—keyed inside except SFIC	N523-222 ✦
H	Chassis	24088197*
J	Anti-rotation plate	N523-055

Letter	Description	Part number
K	Deadlatch	13-247 ✦
M	Strike assembly	10-025
N	Latch screw	C603-897
P	Mounting screw	N523-021
Q	Strike screw	C603-256
S	Cylinder—6-pin	23-065
GG	Adjustment plate screws	N523-240 ✦

✓ For RD (Full Size Interchangeable Core) and GD (SFIC) inside trim configurations, see 98.

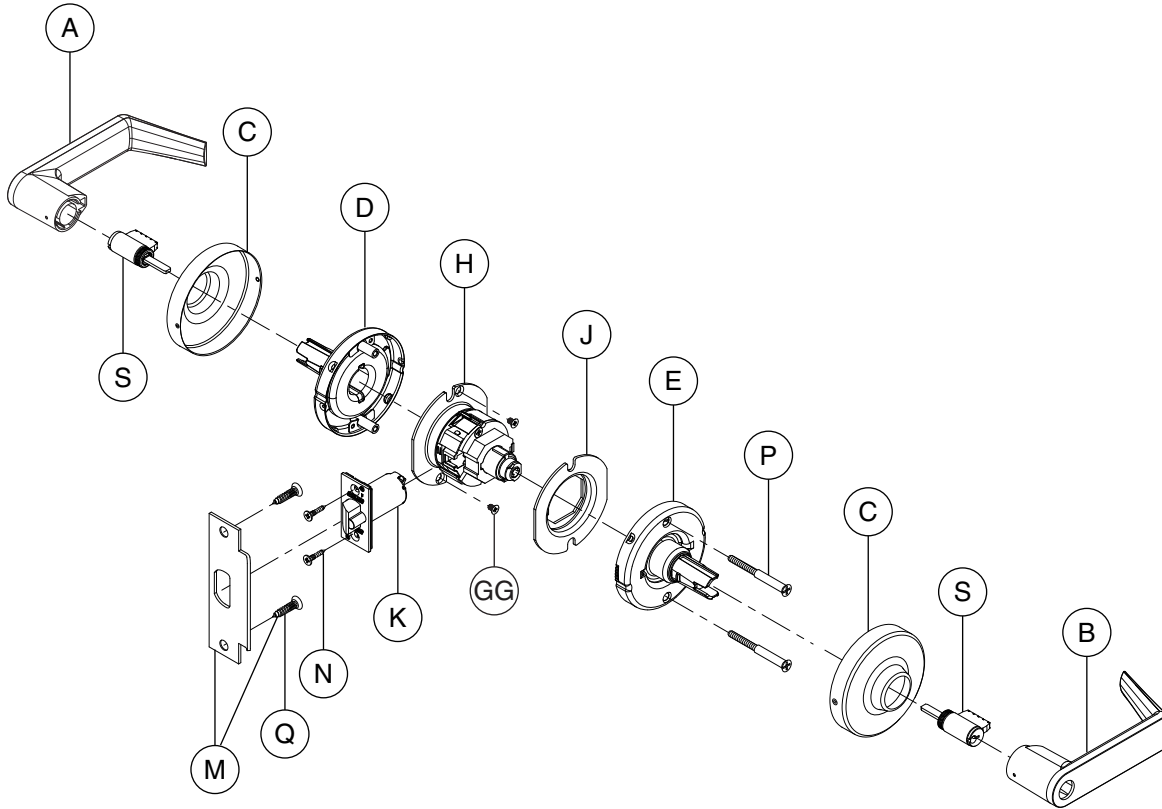
* Chassis part number is for reference only.

✦ Designates new parts or assemblies.

Special—communicating lock with Vandlgard®

ND72 Vandlgard®

ND72PD Vandlgard® (shown), ND72RD Vandlgard®*, ND72GD Vandlgard®*



Letter	Description	Part number
A	Outside lever—open (cylinder)	03-231 †
B	Inside lever—open (cylinder)	03-231 †
C	Rose	03-042
D	Outside spring cage—standard	N523-218 †
E	Inside spring cage—keyed inside except SFIC	N523-222 †
H	Chassis	24088205*
J	Anti-rotation plate	N523-055

Letter	Description	Part number
K	Deadlatch	13-247 †
M	Strike assembly	10-025
N	Latch screw	C603-897
P	Mounting screw	N523-021
Q	Strike screw	C603-256
S	Cylinder—6-pin	23-065
GG	Adjustment plate screws	N523-240 †

√ For RD (Full Size Interchangeable Core) and GD (SFIC) inside trim configurations, see 98.

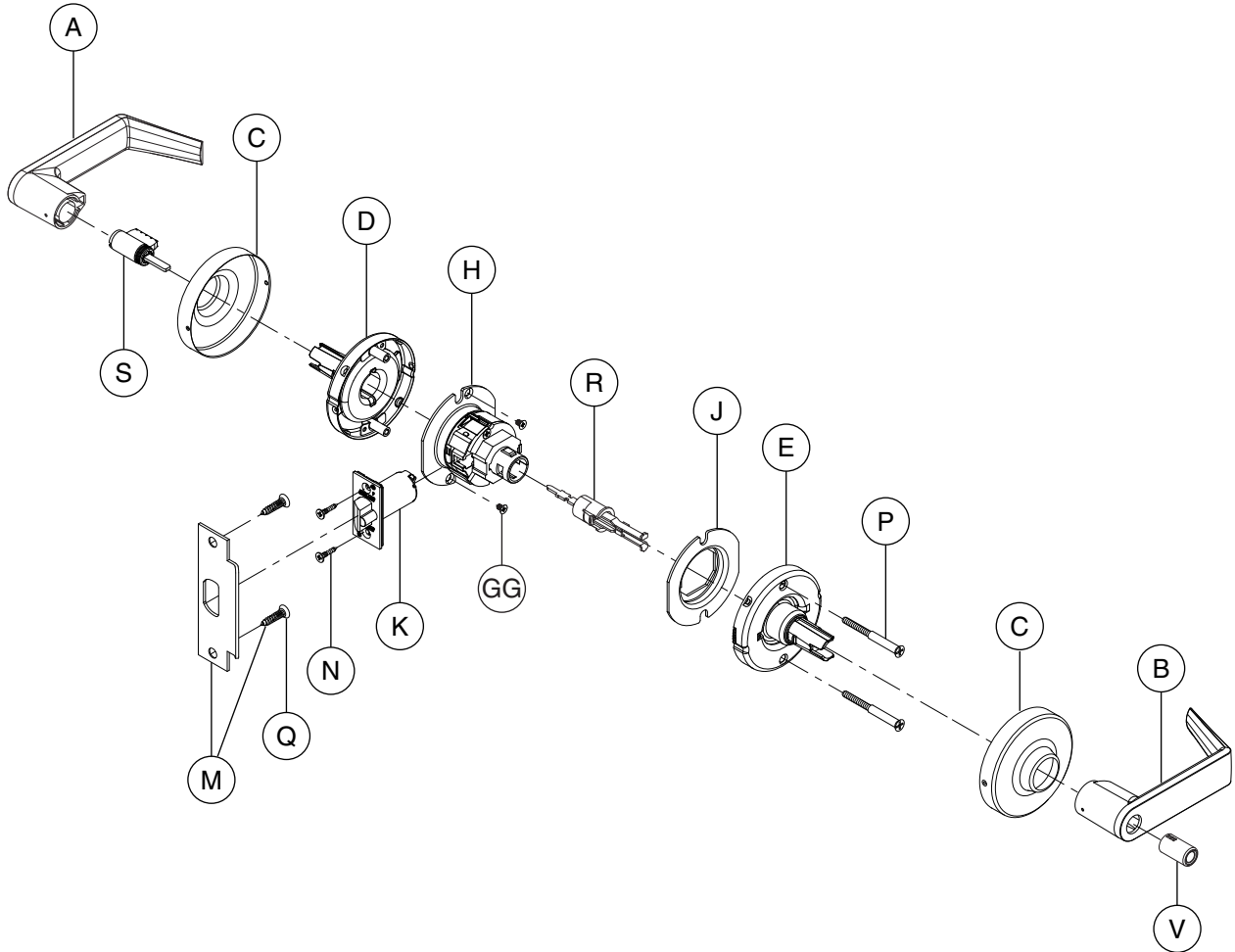
* Chassis part number is for reference only.

† Designates new parts or assemblies.

Corridor lock

ND73

ND73PD (shown), ND73RD ✓, ND73GD ✓



Letter	Description	Part number
A	Outside lever—open (cylinder)	03-231 ✦
B	Inside lever—open (button)	03-233 ✦
C	Rose	03-042
D	Outside spring cage—standard	N523-218 ✦
E	Inside spring cage—standard	N523-221 ✦
H	Chassis	24088353*
J	Anti-rotation plate	N523-055
K	Deadlatch	13-247 ✦

Letter	Description	Part number
M	Strike assembly	10-025
N	Latch screw	C603-897
P	Mounting screw	N523-021
Q	Strike screw	C603-256
R	Plunger—push button	N123-086 ✦
S	Cylinder—6-pin	23-065
V	Push button	N523-209 ✦
GG	Adjustment plate screws	N523-240 ✦

✓ For RD (Full Size Interchangeable Core) and GD (SFIC) inside trim configurations, see 98.

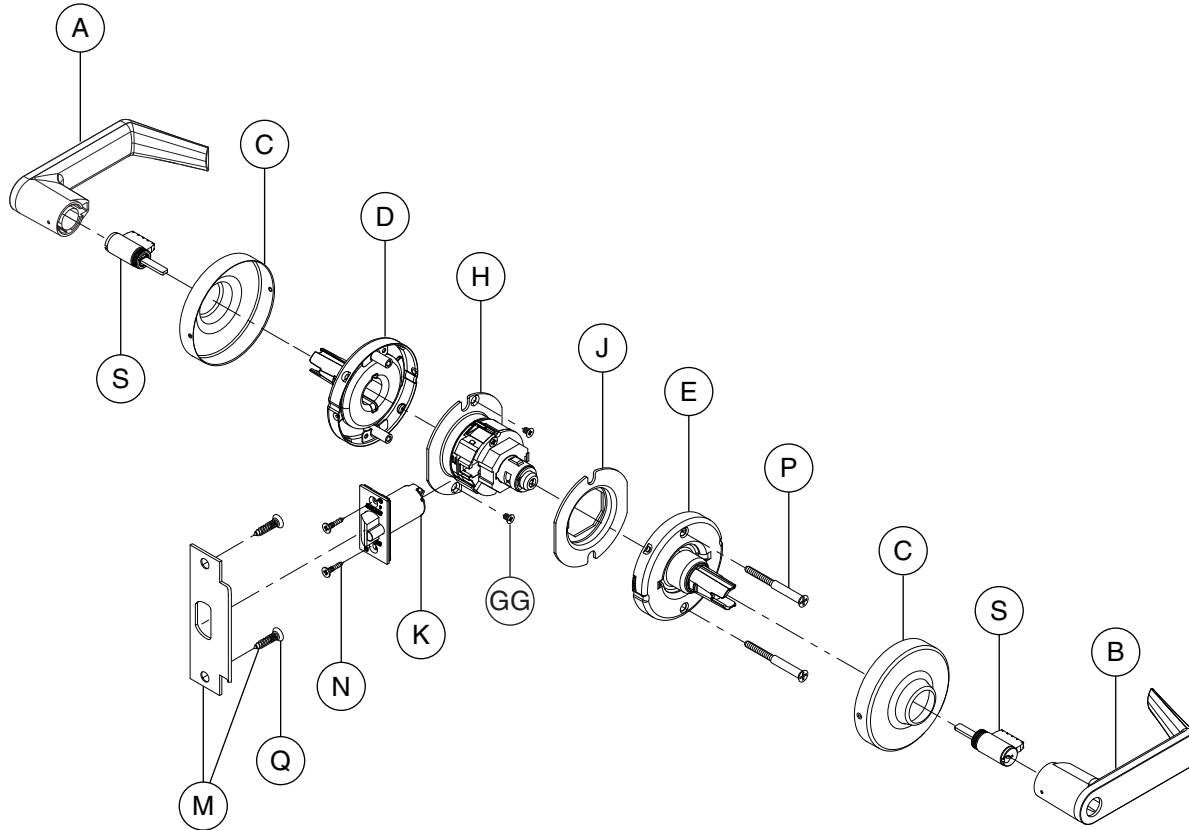
* Chassis part number is for reference only.

✦ Designates new parts or assemblies.

Classroom security lock

ND75

ND75PD (shown), ND75RD ✓, ND75GD ✓



Letter	Description	Part number
A	Outside lever—open (cylinder)	03-231 ✦
B	Inside lever—open (cylinder)	03-231 ✦
C	Rose	03-042
D	Outside spring cage—standard	N523-218 ✦
E	Inside spring cage—keyed inside except SFIC	N523-222 ✦
H	Chassis	24088163*
J	Anti-rotation plate	N523-055

Letter	Description	Part number
K	Deadlatch	13-247 ✦
M	Strike assembly	10-025
N	Latch screw	C603-897
P	Mounting screw	N523-021
Q	Strike screw	C603-256
S	Cylinder—6-pin	23-065
GG	Adjustment plate screws	N523-240 ✦

✓ For RD (Full Size Interchangeable Core) and GD (SFIC) inside trim configurations, see 98.

* Chassis part number is for reference only.

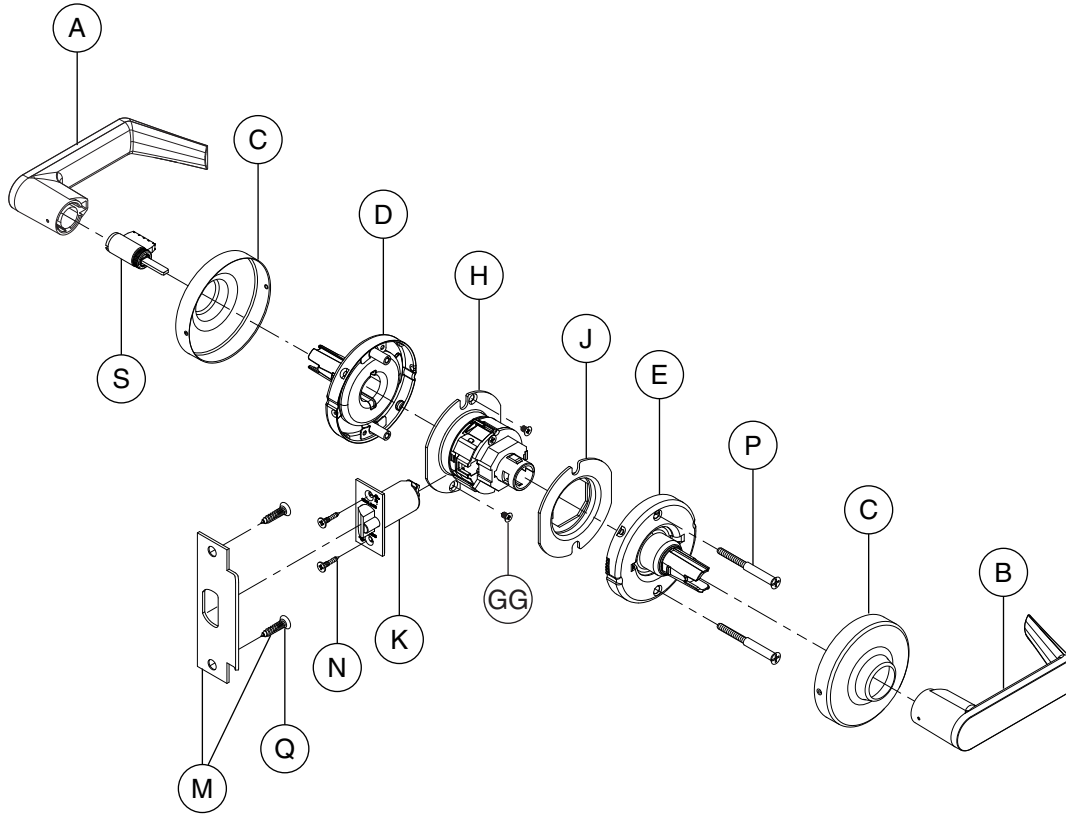
✦ Designates new parts or assemblies.

Trim assemblies

Storeroom lock

ND80

ND80PD (shown), ND80RD ✓, ND80GD ✓



Letter	Description	Part number
A	Outside lever—open (cylinder)	03-231 ✦
B	Inside lever—closed	03-230 ✦
C	Rose	03-042
D	Outside spring cage—standard	N523-218 ✦
E	Inside spring cage—standard	N523-221 ✦
H	Chassis	24088262*
J	Anti-rotation plate	N523-055

Letter	Description	Part number
K	Deadlatch	13-247 ✦
M	Strike assembly	10-025
N	Latch screw	C603-897
P	Mounting screw	N523-021
Q	Strike screw	C603-256
S	Cylinder—6-pin	23-065
GG	Adjustment plate screws	N523-240 ✦

✓ For RD (Full Size Interchangeable Core) and GD (SFIC) inside trim configurations, see 98.

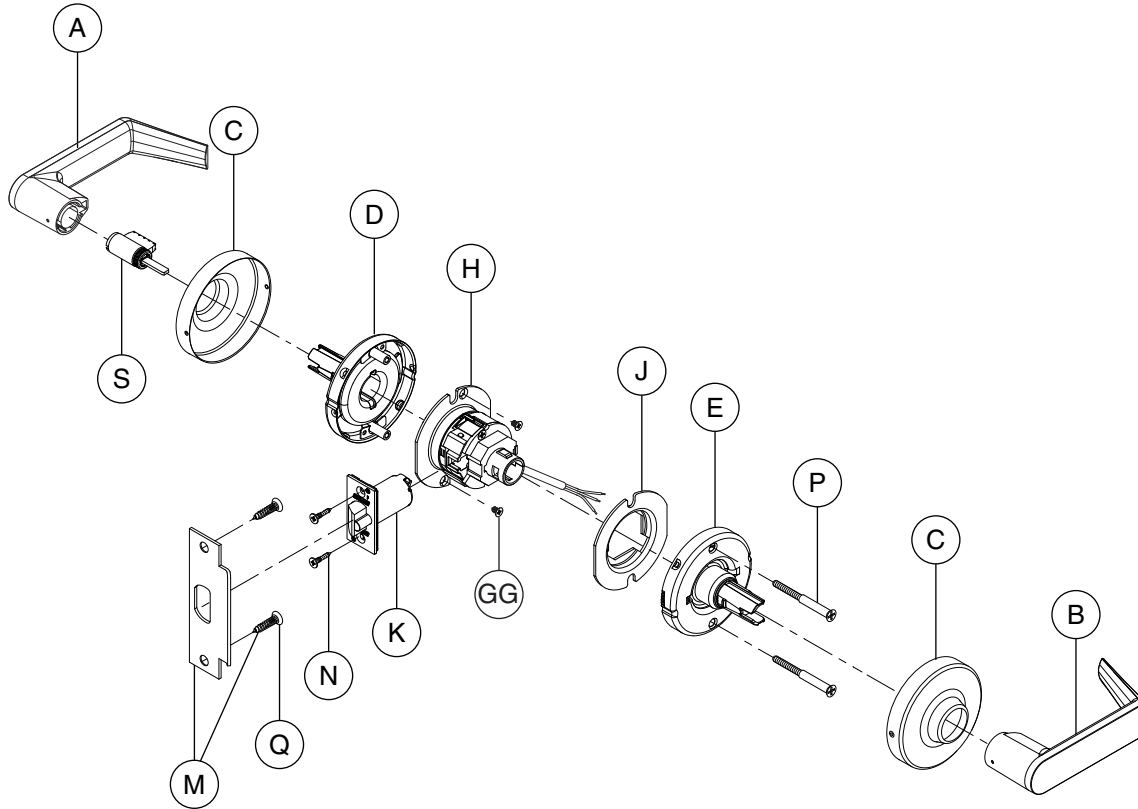
* Chassis part number is for reference only.

✦ Designates new parts or assemblies.

Storeroom lock with request-to-exit

ND80 RX**

ND80PD RX (shown), ND80RD RX ✓, ND80GD RX ✓



Letter	Description	Part number
A	Outside lever—open (cylinder)	03-231 ✦
B	Inside lever—closed	03-230 ✦
C	Rose	03-042
D	Outside spring cage—standard	N523-218 ✦
E	Inside spring cage—standard	N123-221 ✦
H	Chassis	24088437*
J	Anti-rotation plate	N523-131

Letter	Description	Part number
K	Deadlatch	13-247 ✦
M	Strike assembly	10-025
N	Latch screw	C603-897
P	Mounting screw	N523-021
Q	Strike screw	C603-256
S	Cylinder—6-pin	23-065
GG	Adjustment plate	N523-240 ✦

✓ For RD (Full Size Interchangeable Core) and GD (SFIC) inside trim configurations, see 98.

* Chassis part number is for reference only.

** For RX details, see **Request-to-exit feature** on page 106.

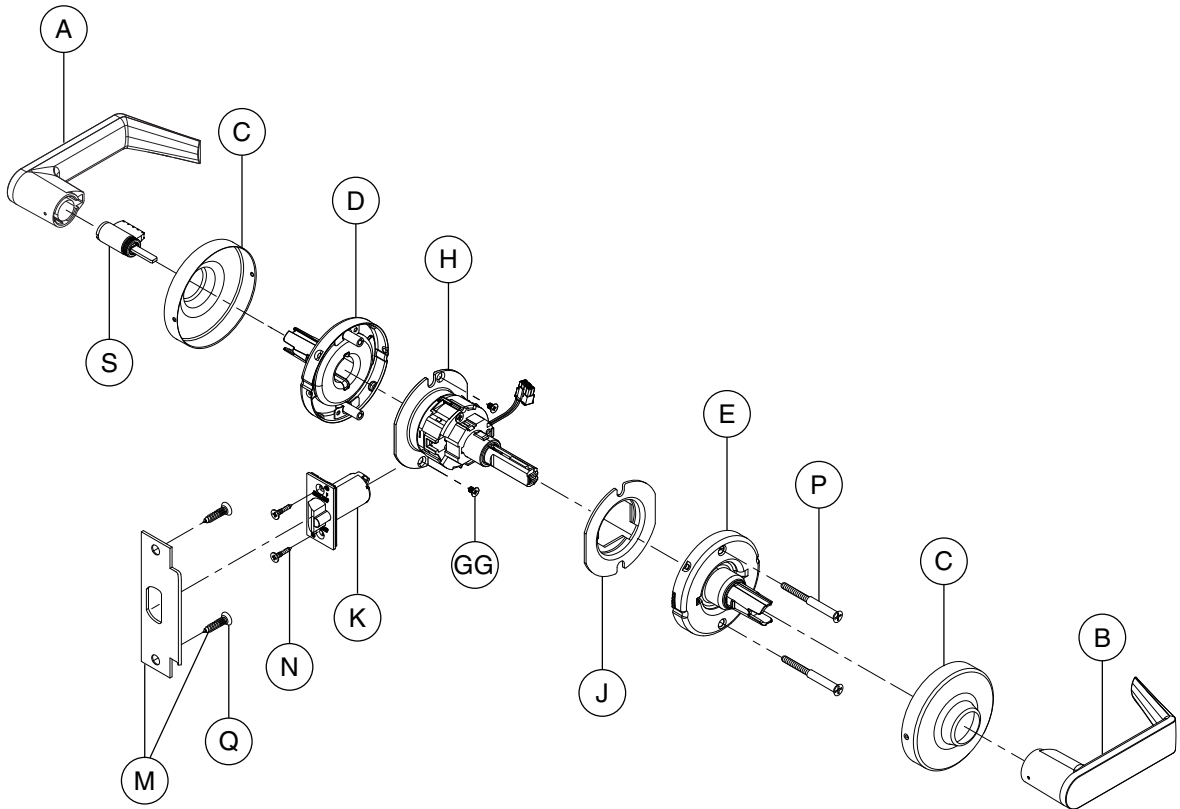
✦ Designates new parts or assemblies.

Trim assemblies

Storeroom lock— electrically locked (fail safe) or electrically unlocked (fail secure)

ND80EL or ND80EU**

ND80EL/ND80EUPD (shown), ND80EL/ND80EU/RD ✓, ND80EL/ND80EUGD ✓



Letter	Description	Part number
A	Outside lever—open (cylinder)	03-231 ✦
B	Inside lever—closed	03-230 ✦
C	Rose	03-042
D	Outside spring cage—standard	N523-218 ✦
E	Inside spring cage—standard	N523-221 ✦
H	Chassis, electrically locked	63-180*✦
	Chassis, electrically unlocked	63-181*✦
J	Anti-rotation plate	N523-055

Letter	Description	Part number
K	Deadatch	13-247 ✦
M	Strike assembly	10-025
N	Latch screw	C603-897
P	Mounting screw	N523-021
Q	Strike screw	C603-256
S	Cylinder—6-pin	23-065
GG	Adjustment plate screws	N523-240 ✦

✓ For RD (Full Size Interchangeable Core) and GD (SFIC) outside trim configurations, see 98.

* Chassis part number is for reference only.

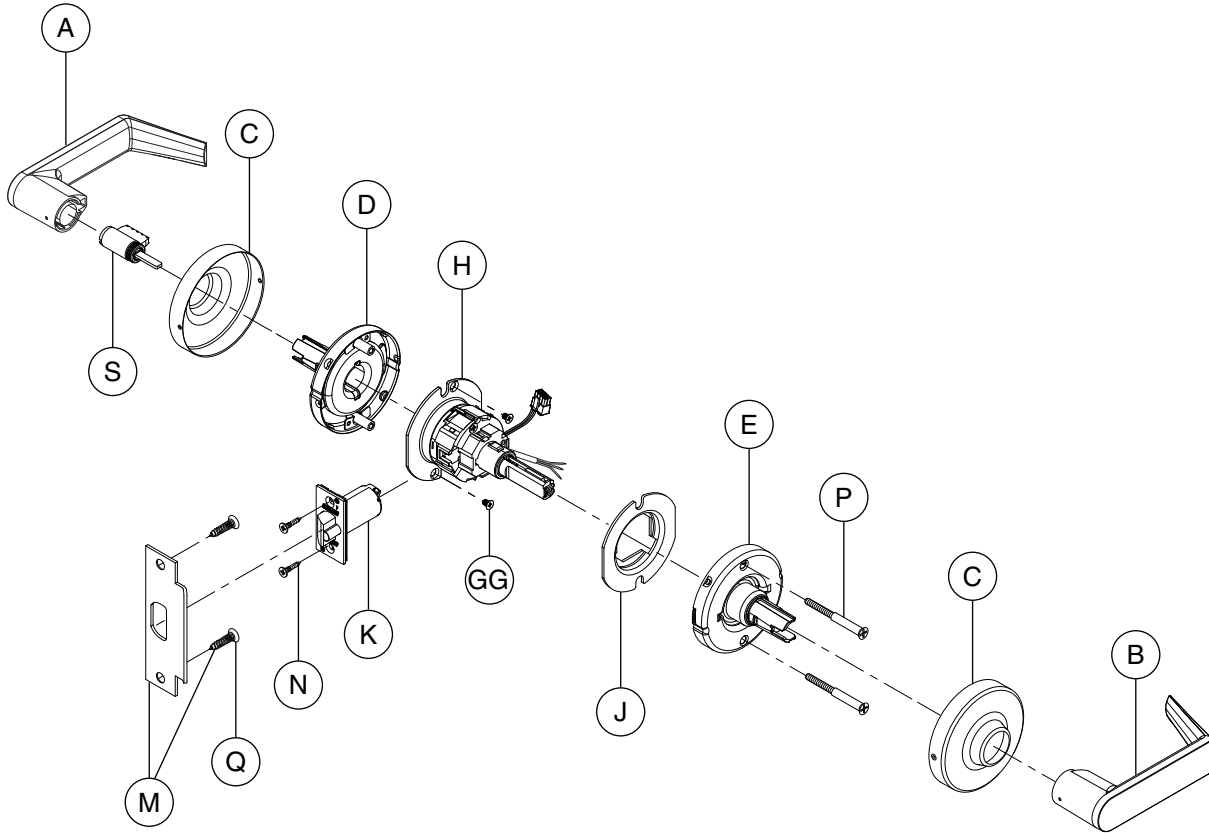
** For electrified lock details, see **Electrified locks** on page 105.

✦ Designates new parts or assemblies.

Storeroom lock—electrically locked (fail safe) or electrically unlocked (fail secure) with request-to-exit

ND80EL RX or ND80EU RX**

ND80EL/ND80EUPD RX (shown), ND80EL/ND80EURD RX ✓, ND80EL/ND80EUGD RX ✓



Letter	Description	Part number
A	Outside Lever—open (cylinder)	03-231 ✦
B	Inside Lever—closed	03-230 ✦
C	Rose	03-042
D	Outside spring cage—standard	N523-218 ✦
E	Inside spring cage—standard	N523-221 ✦
H	Chassis, electrically locked	63-184*✦
	Chassis, electrically unlocked	63-185*✦
J	Anti-rotation plate	N523-131

Letter	Description	Part number
K	Deadlatch	13-247 ✦
M	Strike assembly	10-025
N	Latch screw	C603-897
P	Mounting screw	N523-021
Q	Strike screw	C603-256
S	Cylinder—6-pin	23-065
GG	Adjustment plate screws	N523-240 ✦

✓ For RD (Full Size Interchangeable Core) and GD (SFIC) outside trim configurations, see 98.

* Chassis part number is for reference only.

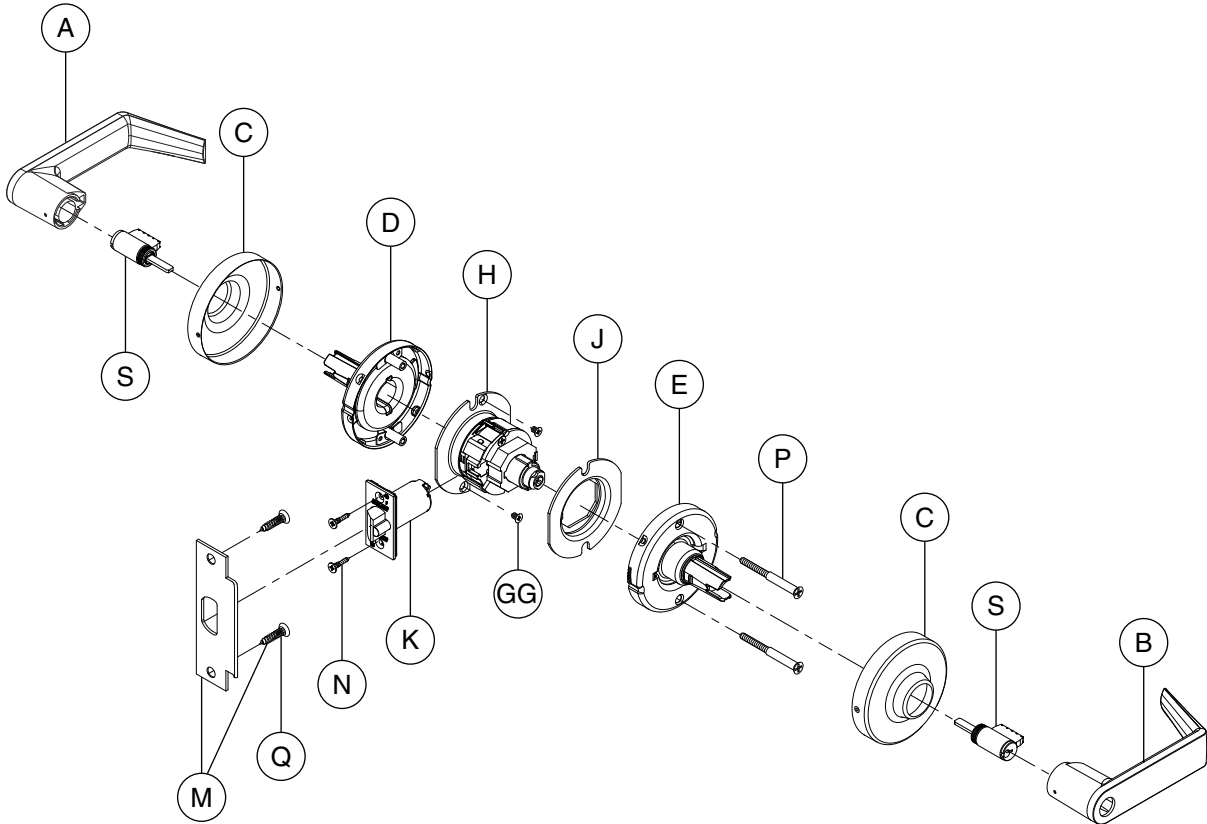
** For electrified lock details, see **Electrified locks** on page 105. For RX details, see **Request-to-exit feature** on page 106.

✦ Designates new parts or assemblies.

Institution lock

ND82

ND82PD (shown), ND82RD ✓, ND82GD ✓



Letter	Description	Part number
A	Outside lever—open (cylinder)	03-231 ✦
B	Inside lever—open (cylinder)	03-231 ✦
C	Rose	03-042
D	Outside spring cage—standard	N523-218 ✦
E	Inside spring cage—keyed inside except SFIC	N523-222 ✦
H	Chassis	24088361*
J	Anti-rotation plate	N523-055

Letter	Description	Part number
K	Deadlatch	13-247 ✦
M	Strike assembly	10-025
N	Latch screw	C603-897
P	Mounting screw	N523-021
Q	Strike screw	C603-256
S	Cylinder—6 pin	23-065
GG	Adjustment plate screws	N523-240 ✦

✓ For RD (Full Size Interchangeable Core) and GD (SFIC) outside trim configurations, see 98.

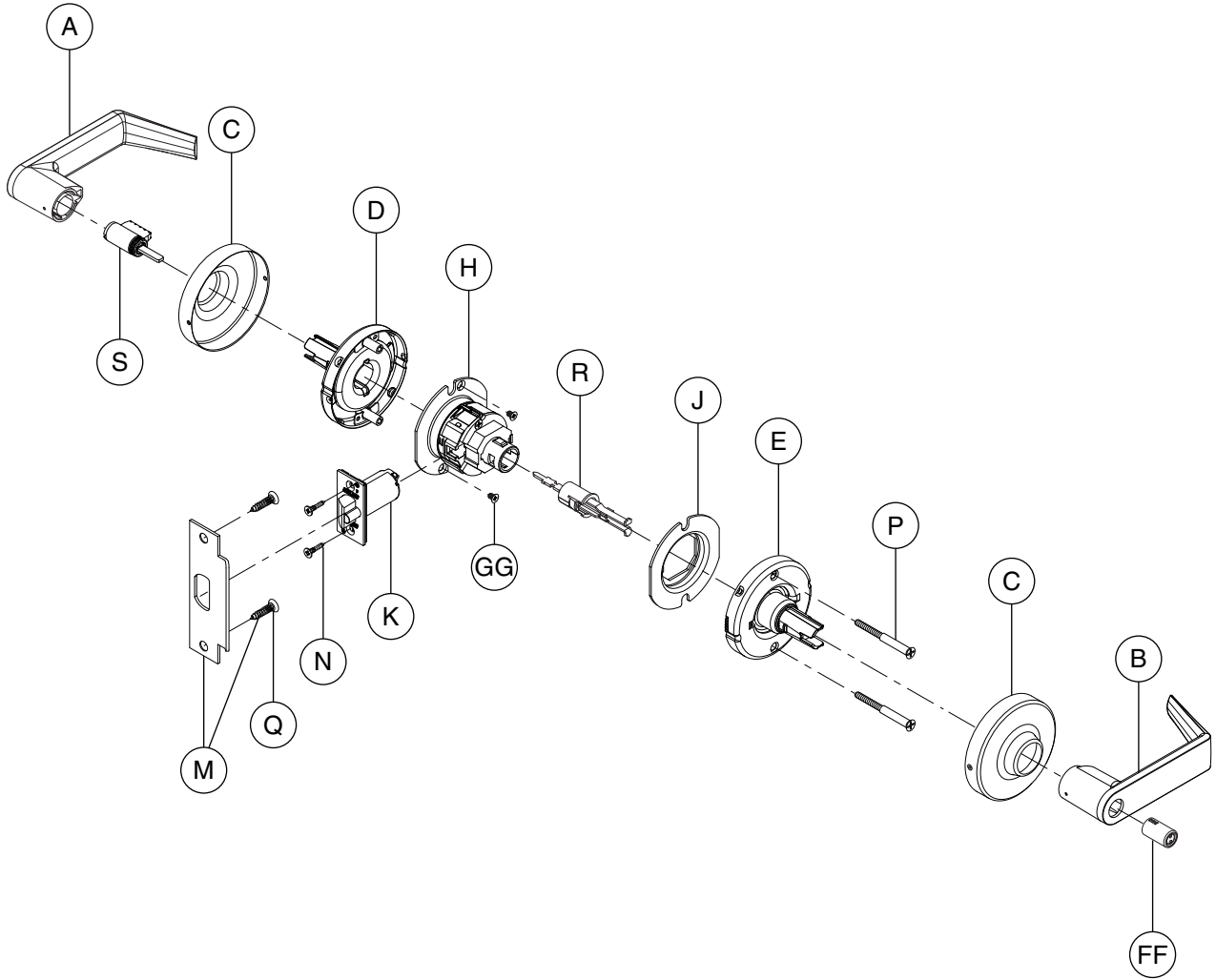
* Chassis part number is for reference only.

✦ Designates new parts or assemblies.

Faculty restroom lock

ND85

ND85PD



Letter	Description	Part number
A	Outside lever—open (cylinder)	03-231 ✦
B	Inside lever—open (button)	03-233 ✦
C	Rose	03-042
D	Outside spring cage—standard	N523-218 ✦
E	Inside spring cage—standard	N523-221 ✦
H	Chassis	24088411*
J	Anti-rotation plate	N523-055
K	Deadlatch	13-247 ✦

Letter	Description	Part number
M	Strike assembly	10-025
N	Latch screw	C603-897
P	Mounting screw	N523-021
Q	Strike screw	C603-256
R	Plunger—push button	N123-087 ✦
S	Cylinder—6-pin indicator	23-000
FF	Push button with spanner access	N523-211 ✦
GG	Adjustment plate screws	N523-240 ✦

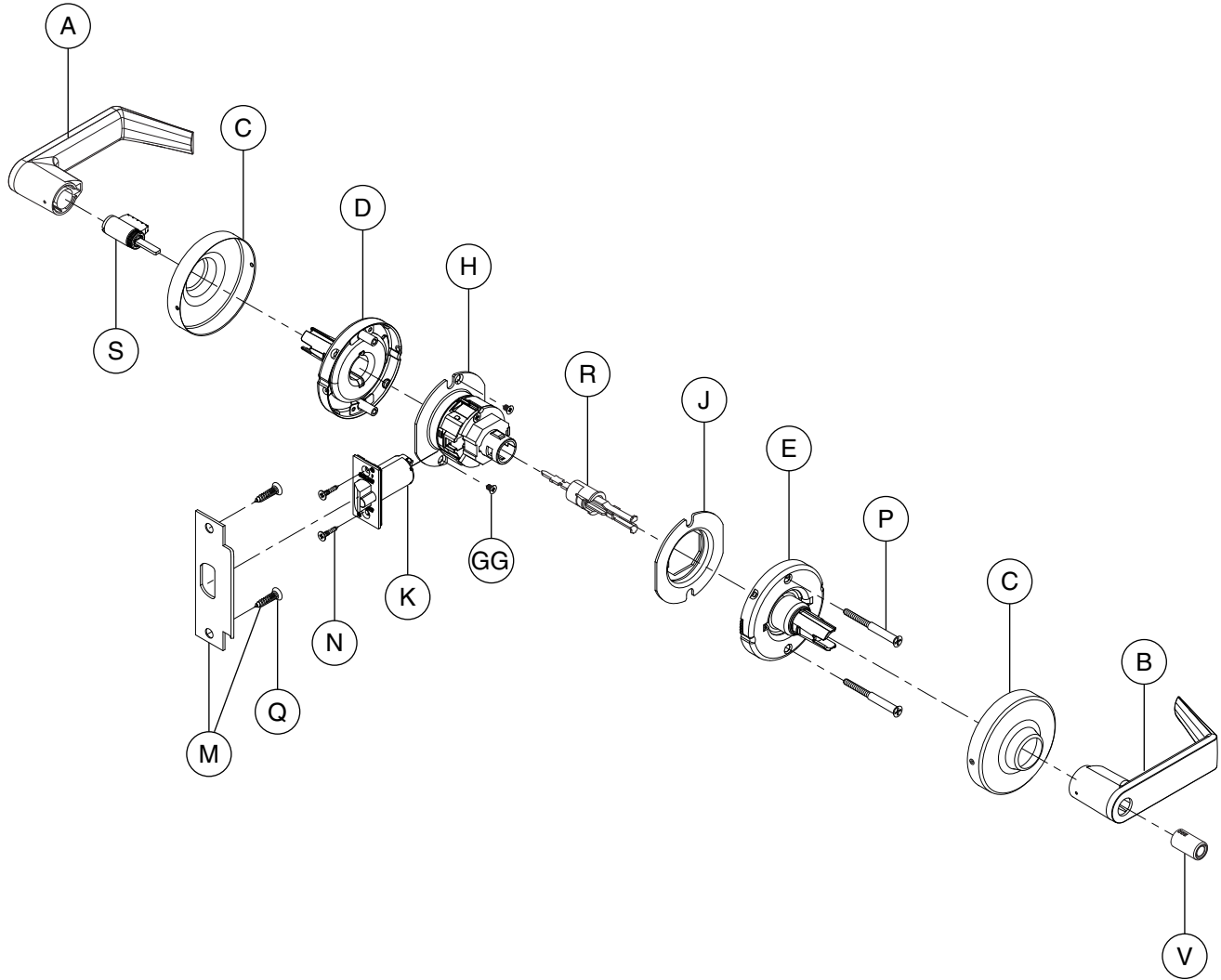
* Chassis part number is for reference only.

✦ Designates new parts or assemblies.

Entrance/office lock with Vandlgard®

ND91

ND91PD (shown), ND91RD ✓, ND91GD ✓



Letter	Description	Part number
A	Outside lever—open (cylinder)	03-231 ✦
B	Inside lever—open (button)	03-233 ✦
C	Rose	03-042
D	Outside spring cage—standard	N523-218 ✦
E	Inside spring cage—standard	N523-221 ✦
H	Chassis	24088379*
J	Anti-rotation plate	N523-055
K	Deadlatch	13-247 ✦

Letter	Description	Part number
M	Strike assembly	10-025
N	Latch screw	C603-897
P	Mounting screw	N523-021
Q	Strike screw	C603-256
R	Plunger—push button	N123-086 ✦
S	Cylinder—6-pin	23-065
V	Push button	N523-209 ✦
GG	Adjustment plate screws	N523-240 ✦

✓ For RD (Full Size Interchangeable Core) and GD (SFIC) outside trim configurations, see 98.

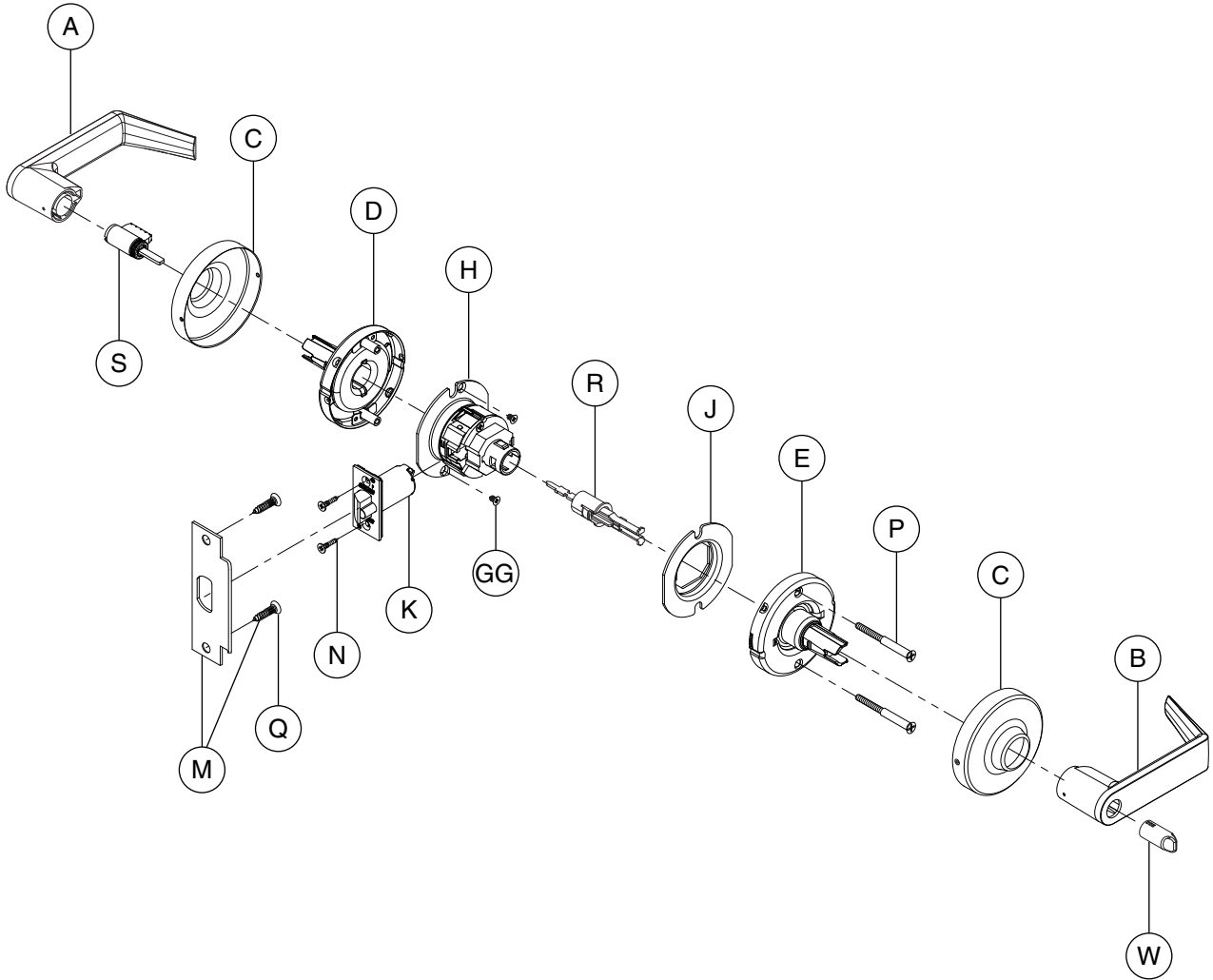
* Chassis part number is for reference only.

✦ Designates new parts or assemblies.

Entrance lock with Vandlgard®

ND92

ND92PD (shown), ND92RD ✓, ND92GD ✓



Letter	Description	Part number
A	Outside lever—open (cylinder)	03-231 ✦
B	Inside lever—open (button)	03-233 ✦
C	Rose	03-042
D	Outside spring cage—standard	N523-218 ✦
E	Inside spring cage—standard	N523-221 ✦
H	Chassis	24088379*
J	Anti-rotation plate	N523-055
K	Deadlatch	13-247 ✦

Letter	Description	Part number
M	Strike assembly	10-025
N	Latch screw	C603-897
P	Mounting screw	N523-021
Q	Strike screw	C603-256
R	Plunger—push and turn	N123-085 ✦
S	Cylinder—6-pin	23-065
W	Push and turn button	N523-210 ✦
GG	Adjustment plate screws	N523-240 ✦

✓ For RD (Full Size Interchangeable Core) and GD (SFIC) outside trim configurations, see 98.

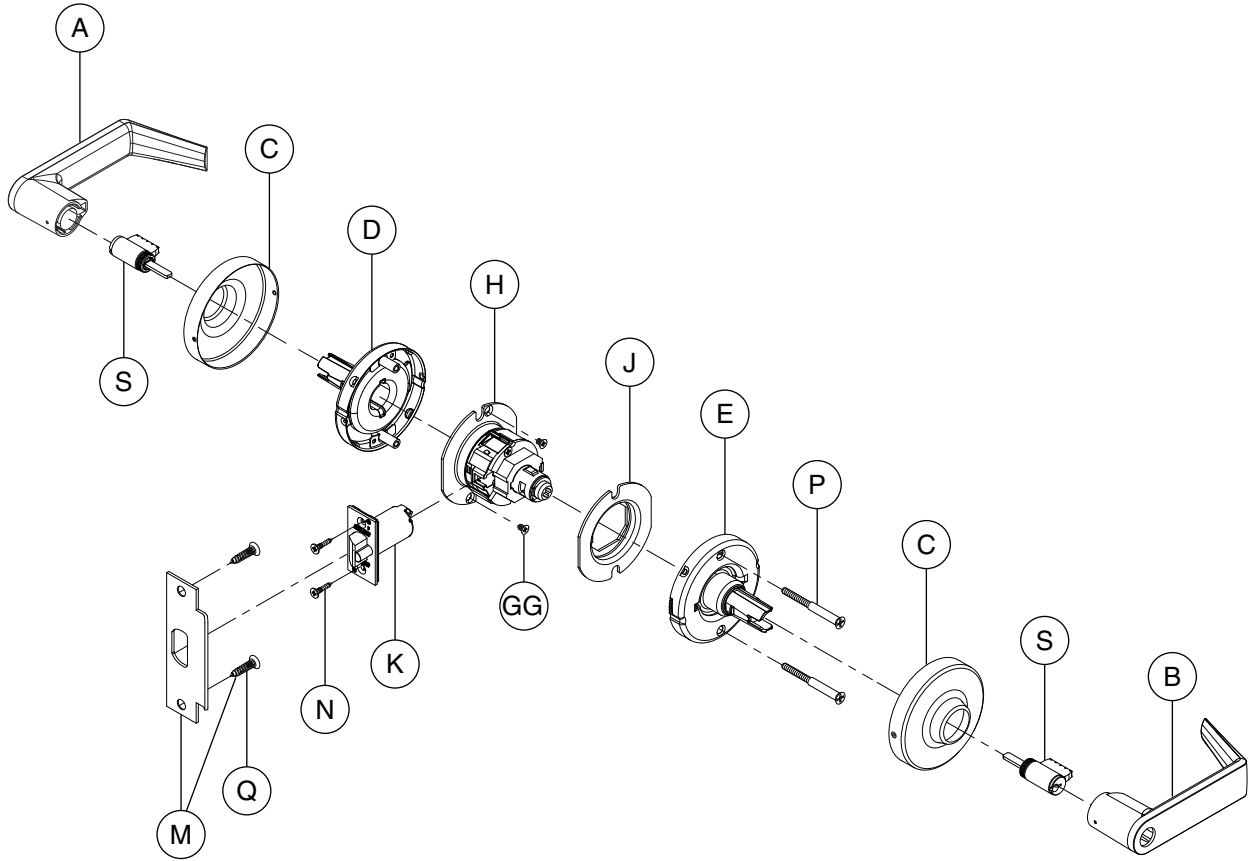
* Chassis part number is for reference only.

✦ Designates new parts or assemblies.

Vestibule with Vandlgard®

ND93

ND93PD (shown), ND93RD ✓, ND93GD ✓



Letter	Description	Part number
A	Outside lever—open (cylinder)	03-231 ✦
B	Inside lever—open (cylinder)	03-231 ✦
C	Rose	03-042
D	Outside spring cage—standard	N523-218 ✦
E	Inside spring cage—keyed inside except SFIC	N523-222 ✦
H	Chassis	24088387*
J	Anti-rotation plate	N523-055

Letter	Description	Part number
K	Deadlatch	13-247 ✦
M	Strike assembly	10-025
N	Latch screw	C603-897
P	Mounting screw	N523-021
Q	Strike screw	C603-256
S	Cylinder—6-pin	23-065
GG	Adjustment plate screws	N523-240 ✦

✓ For RD (Full Size Interchangeable Core) and GD (SFIC) outside trim configurations, see 98.

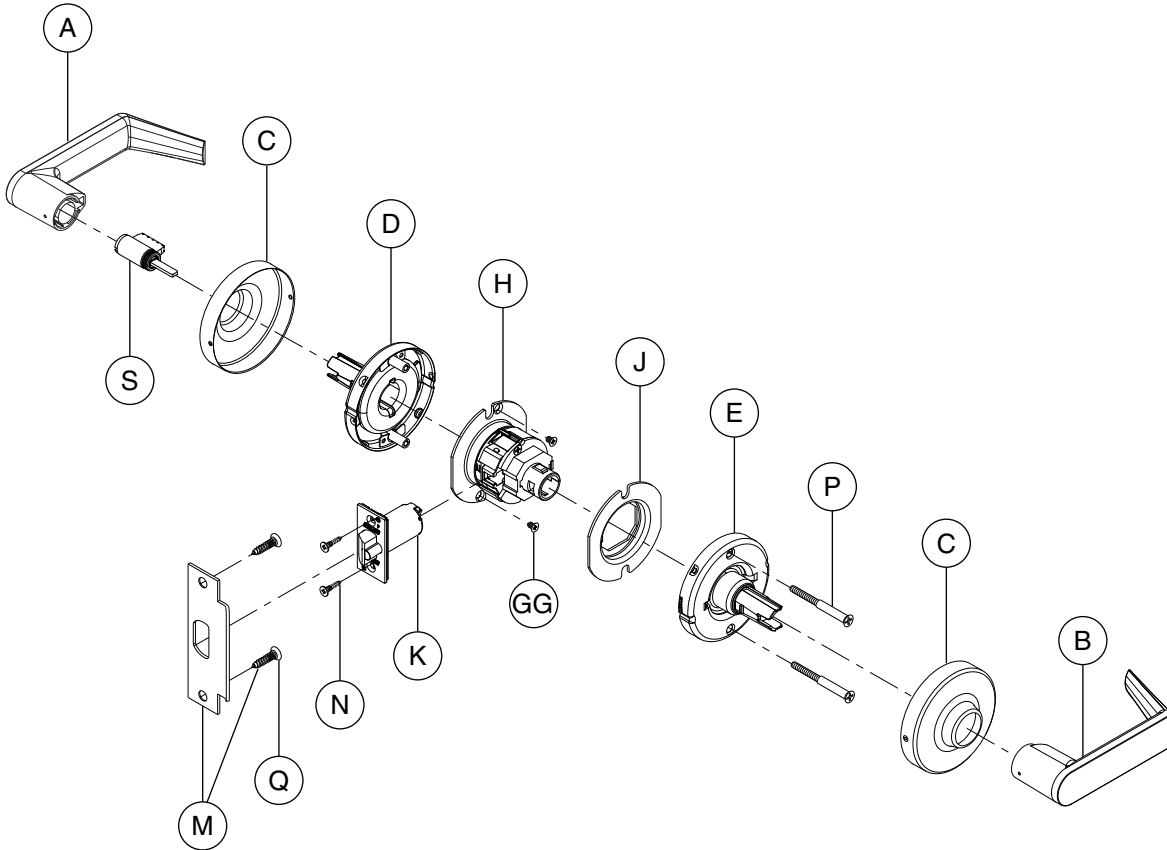
* Chassis part number is for reference only.

✦ Designates new parts or assemblies.

Classroom lock with Vandlgard®

ND94

ND94PD (shown), ND94RD ✓, ND94GD ✓



Letter	Description	Part number
A	Outside lever—open (cylinder)	03-231 ✦
B	Inside lever—closed (cylinder)	03-230 ✦
C	Rose	03-042
D	Outside spring cage—standard	N523-218 ✦
E	Inside spring cage—standard	N523-221 ✦
H	Chassis	24088395*
J	Anti-rotation plate	N523-055

Letter	Description	Part number
K	Dead latch	13-247 ✦
M	Strike assembly	10-025
N	Latch screw	C603-897
P	Mounting screw	N523-021
Q	Strike screw	C603-256
S	Cylinder—6-pin	23-065
GG	Adjustment plate screws	N523-240 ✦

✓ For RD (Full Size Interchangeable Core) and GD (SFIC) outside trim configurations, see 98.

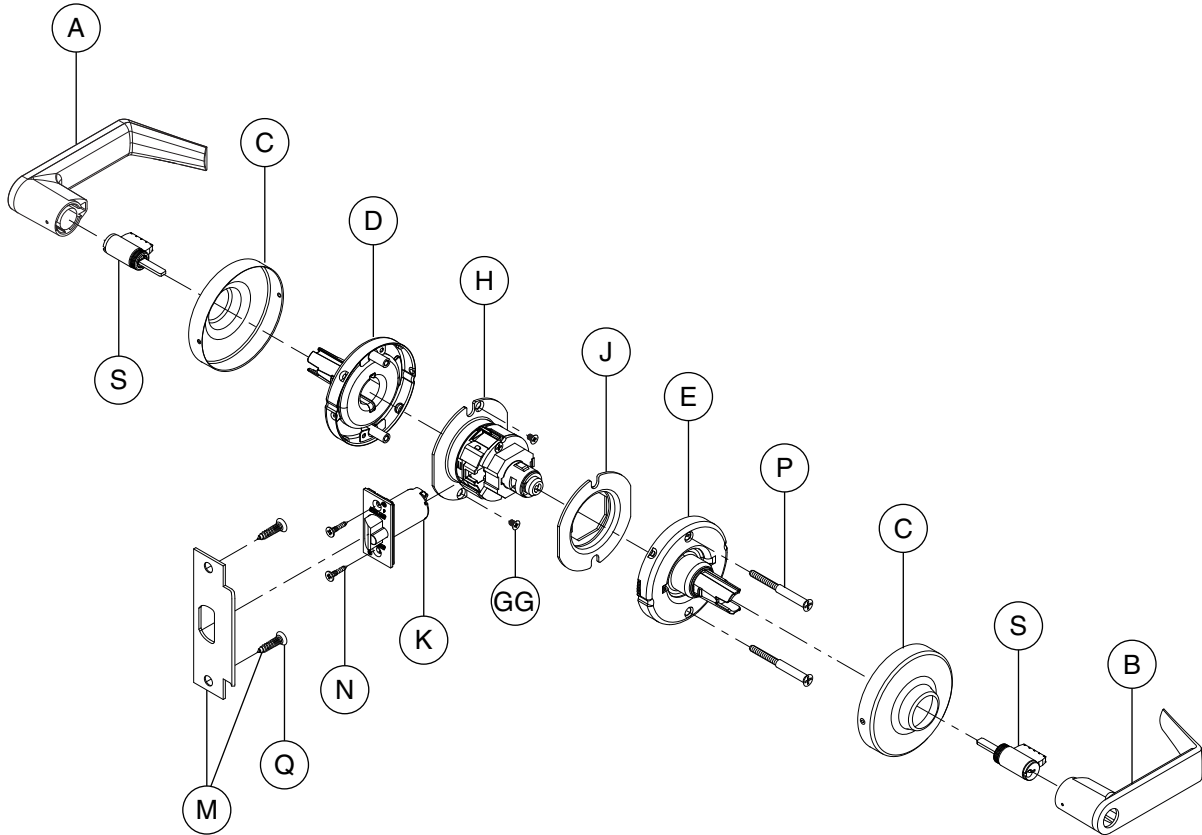
* Chassis part number is for reference only.

✦ Designates new parts or assemblies.

Classroom security lock with Vandlgard®

ND95

ND95PD (shown), ND95RD ✓, ND95GD ✓



Letter	Description	Part number
A	Outside lever—open (cylinder)	03-231 ✦
B	Inside lever—open	03-231 ✦
C	Rose	03-042
D	Outside spring cage—standard	N523-218 ✦
E	Inside spring cage—keyed inside except SFIC	N523-222 ✦
H	Chassis	24088171*
J	Anti-rotation plate	N523-055

Letter	Description	Part number
K	Deadlatch	13-247 ✦
M	Strike assembly	10-025
N	Latch screw	C603-897
P	Mounting screw	N523-021
Q	Strike screw	C603-256
S	Cylinder—6-pin	23-065
GG	Adjustment plate screws	N523-240 ✦

✓ For RD (Full Size Interchangeable Core) and GD (SFIC) outside trim configurations, see 98.

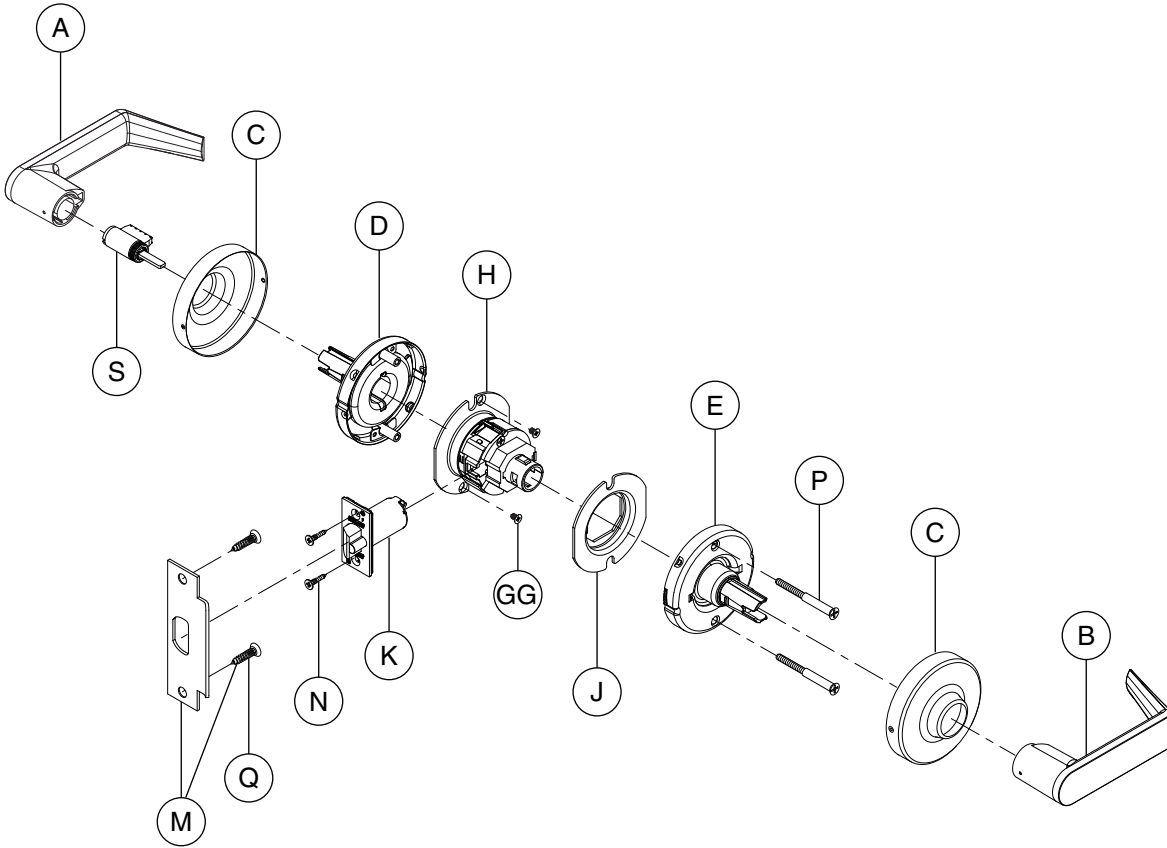
* Chassis part number is for reference only.

✦ Designates new parts or assemblies.

Storeroom lock with Vandlgard®

ND96

ND96PD (shown), ND96RD ✓, ND96GD ✓



Letter	Description	Part number
A	Outside lever—open (cylinder)	03-231 ✦
B	Inside lever—closed	03-230 ✦
C	Rose	03-042
D	Outside spring cage—standard	N523-218 ✦
E	Inside spring cage—standard	N523-221 ✦
H	Chassis	24088403*
J	Anti-rotation plate	N523-055

Letter	Description	Part number
K	Deadlatch	13-247 ✦
M	Strike assembly	10-025
N	Latch screw	C603-897
P	Mounting screw	N523-021
Q	Strike screw	C603-256
S	Cylinder—6-pin	23-065
GG	Adjustment plate screws	N523-240 ✦

✓ For RD (Full Size Interchangeable Core) and GD (SFIC) outside trim configurations, see 98.

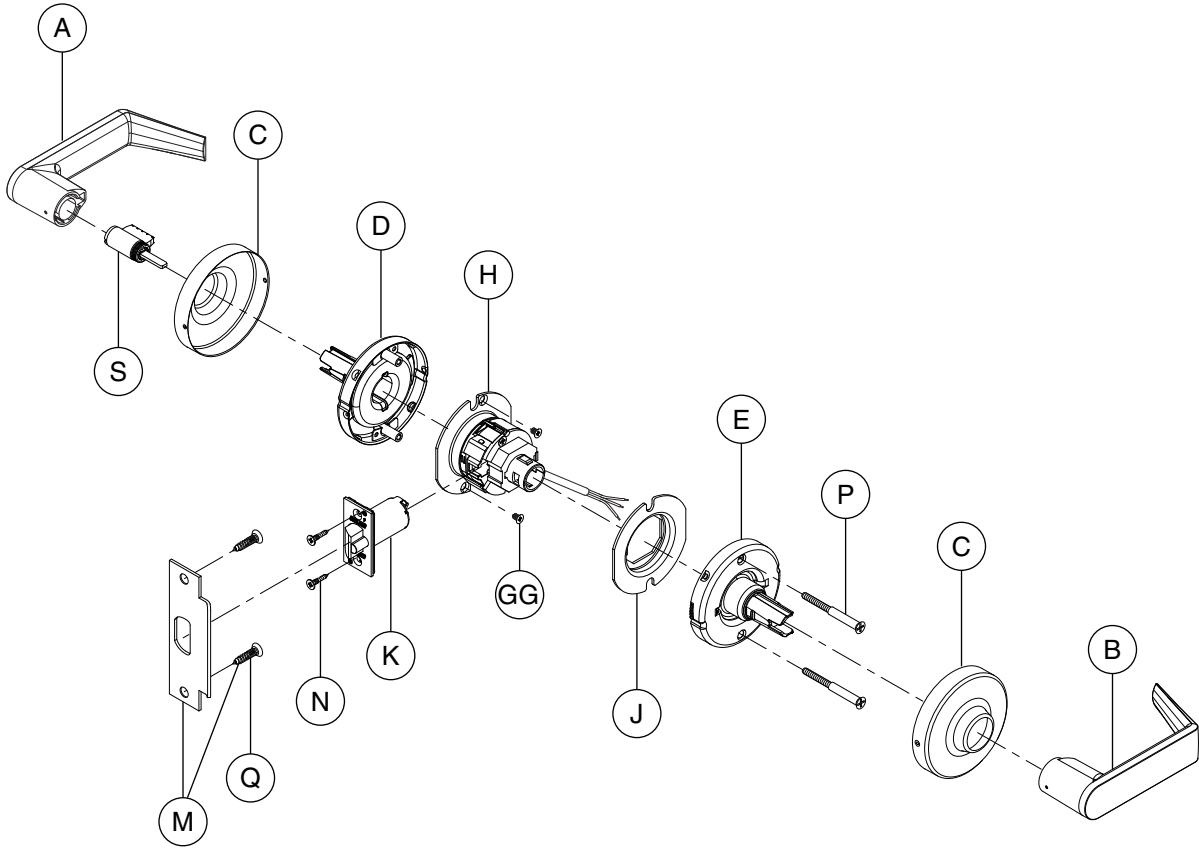
* Chassis part number is for reference only.

✦ Designates new parts or assemblies.

Storeroom lock with Vandlgard® with request-to-exit

ND96 RX**

ND96PDRX (shown), ND96RDRX ✓, ND96GDRX ✓



Letter	Description	Part number
A	Outside lever—open (cylinder)	03-231 ✦
B	Inside lever—closed	03-230 ✦
C	Rose	03-042
D	Outside spring cage—standard	N523-218 ✦
E	Inside spring cage—standard	N523-221 ✦
H	Chassis	63-014*
J	Anti-rotation plate	N523-131

Letter	Description	Part number
K	Deadlatch	13-247 ✦
M	Strike assembly	10-025
N	Latch screw	C603-897
P	Mounting screw	N523-021
Q	Strike screw	C603-256
S	Cylinder—6-pin	23-065
GG	Adjustment plate screws	N523-240 ✦

✓ For RD (Full Size Interchangeable Core) and GD (SFIC) outside trim configurations, see 98.

* Chassis part number is for reference only.

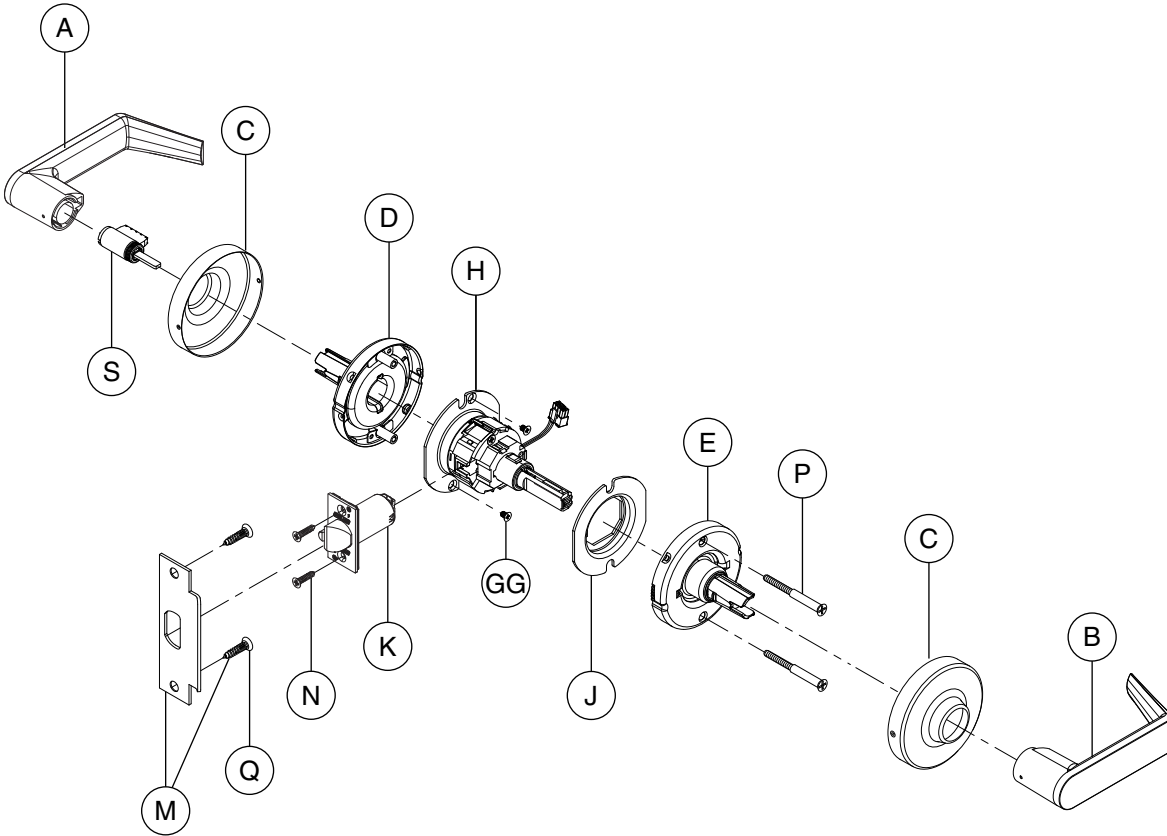
** For RX details, see **Request-to-exit feature** on page 106.

✦ Designates new parts or assemblies.

Storeroom lock with Vandlgard®— electrically locked (fail safe) or electrically unlocked (fail secure)

ND96EL or ND96EU**

ND96EL/EUPD (shown), ND96EL/ND96EURD ✓, ND96EL/ND96EUGD ✓



Letter	Description	Part number
A	Outside lever—open (cylinder)	03-231 ✦
B	Inside lever—closed	03-230 ✦
C	Rose	03-042
D	Outside spring cage—standard	N523-218 ✦
E	Inside spring cage—standard	N523-221 ✦
H	Chassis, electrically locked	63-182*✦
	Chassis, electrically unlocked	63-183*✦
J	Anti-rotation plate	N523-055

Letter	Description	Part number
K	Deadlatch	13-247 ✦
M	Strike assembly	10-025
N	Latch screw	C603-897
P	Mounting screw	N523-021
Q	Strike screw	C603-256
S	Cylinder—6-pin	23-065
GG	Adjustment plate screws	N523-240 ✦

✓ For RD (Full Size Interchangeable Core) and GD (SFIC) outside trim configurations, see 98.

* Chassis part number is for reference only.

** For electrified lock details, see **Electrified locks** on page 105.

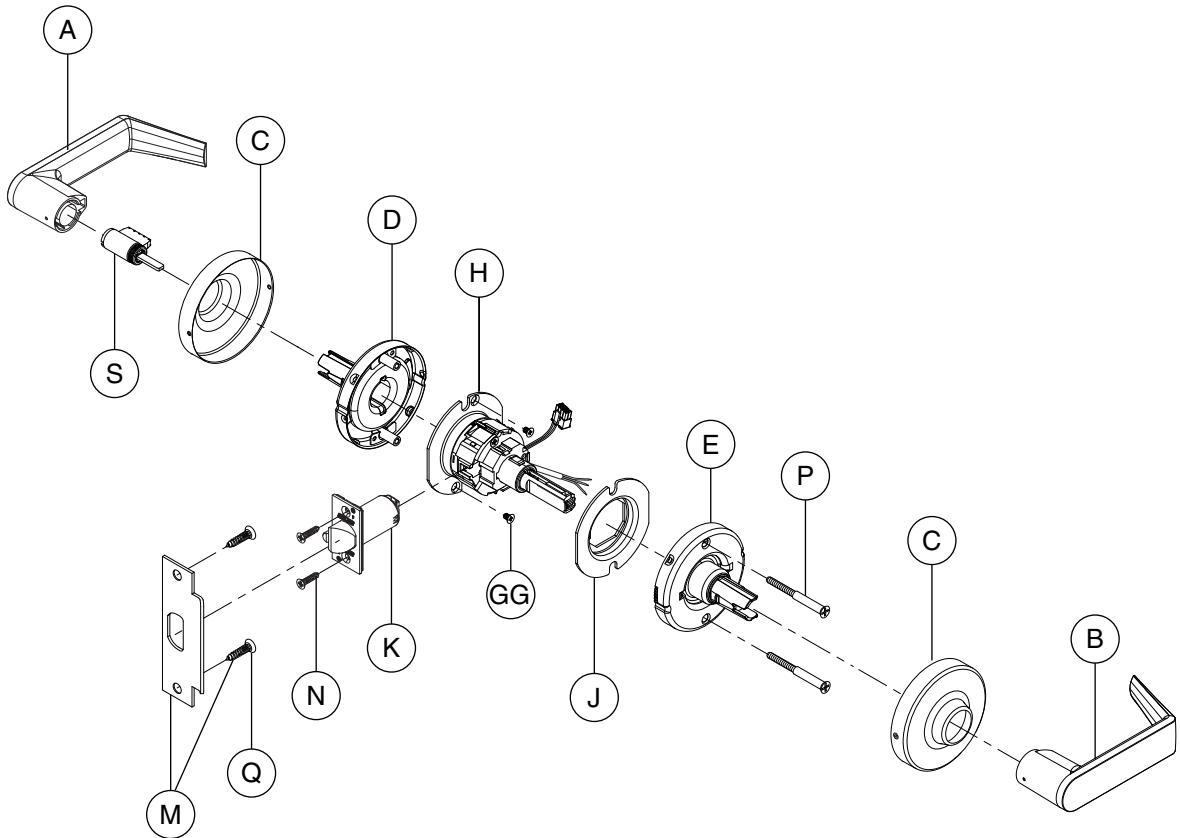
✦ Designates new parts or assemblies.

Trim assemblies

Storeroom lock with Vandlgard®—electrically locked (fail secure) or electrically unlocked (fail secure) with request-to-exit

ND96EL RX or ND96EU RX**

ND96EL/EUPD RX (shown), ND96EL/EURD RX ✓, ND96EL/EUGD RX ✓



Letter	Description	Part number
A	Outside lever—open (cylinder)	03-231 ✦
B	Inside lever—closed	03-230 ✦
C	Rose	03-042
D	Outside spring cage—standard	N523-218 ✦
E	Inside spring cage—standard	N523-221 ✦
H	Chassis, electrically locked	63-186* ✦
	Chassis, electrically unlocked	63-187* ✦
J	Anti-rotation plate	N523-131

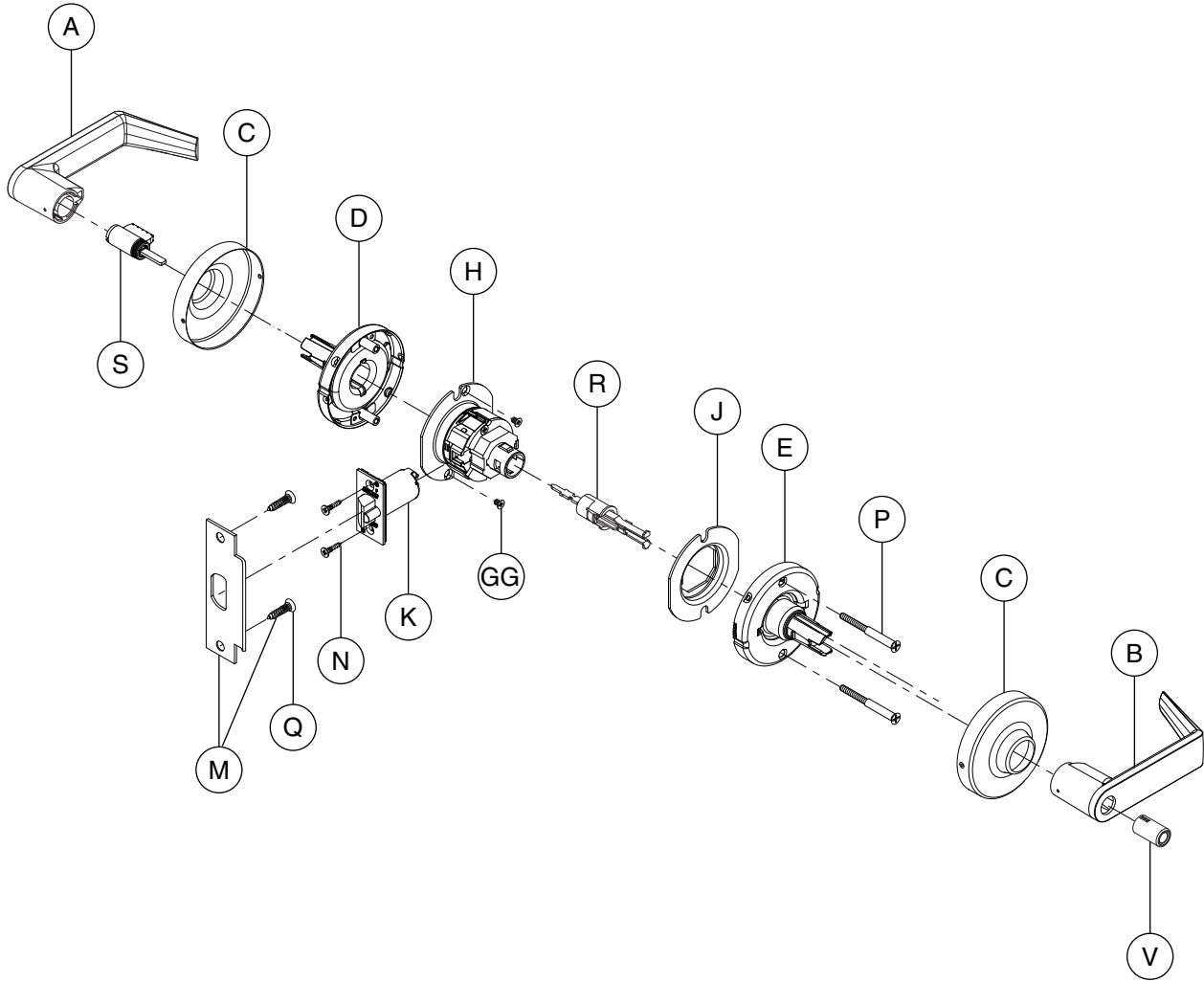
Letter	Description	Part number
K	Deadlatch	13-247 ✦
M	Strike assembly	10-025
N	Latch screw	C603-897
P	Mounting screw	N523-021
Q	Strike screw	C603-256
S	Cylinder—6-pin	23-065
GG	Adjustment plate screws	N523-240 ✦

✓ For RD (Full Size Interchangeable Core) and GD (SFIC) outside trim configurations, see 98.
 * Chassis part number is for reference only.
 ** For electrified lock details, see **Electrified locks** on page 105. For RX details, see **Request-to-exit feature** on page 106.
 ✦ Designates new parts or assemblies.

Corridor lock with Vandlgard®

ND97

ND97PD (shown), ND97RD ✓, ND97GD ✓



Letter	Description	Part number
A	Outside lever—open (cylinder)	03-231 ✦
B	Inside lever—open (button)	03-233 ✦
C	Rose	03-042
D	Outside spring cage—standard	N523-218 ✦
E	Inside spring cage—standard	N523-221 ✦
H	Chassis	24088189*
J	Anti-rotation plate	N523-055
K	Deadlatch	13-247 ✦

Letter	Description	Part number
M	Strike assembly	10-025
N	Latch screw	C603-897
P	Mounting screw	N523-021
Q	Strike screw	C603-256
R	Plunger—push button	N123-086 ✦
S	Cylinder—6-pin	23-065
V	Push button	N523-209 ✦
GG	Adjustment plate screws	N523-240 ✦

✓ For RD (Full Size Interchangeable Core) and GD (SFIC) outside trim configurations, see 98.

* Chassis part number is for reference only.

✦ Designates new parts or assemblies.

Conversion

Conversion

Spring cage conversion

Spring cage conversion by function

Function	Outside Spring Cage		Inside Spring Cage		Lever Type	
	Original	New	Original	New	Outside	Inside
ND10	N123-043	N523-218	N123-032	N523-221	Closed	Closed
ND12	N123-022	N523-218	N123-032	N523-221	Closed	Closed
ND12EL, ND12EU	N123-022	N523-218	N123-032	N523-221	Closed	Closed
ND170	–	–	63-104	N523-223	–	Closed
ND25	–	–	N123-032	N523-221	–	Closed
ND25x70	–	–	N123-021	N523-222	–	Cylinder
ND25x80	–	–	N123-021	N523-222	–	Cylinder
ND30	N123-022	N523-218	N123-032	N523-221	Closed	Push button
ND40	N123-022	N523-218	N123-032	N523-221	Privacy	Push button
ND44	N123-022	N523-218	N123-032	N523-221	Privacy	Push button
ND45	N123-022	N523-218	N123-032	N523-221	Privacy	Closed
ND50	N123-022	N523-218	N123-032	N523-221	Cylinder	Push button
ND53	N123-022	N523-218	N123-032	N523-221	Cylinder	Push /turn button
ND60	N123-022	N523-218	N123-021	N523-222	Cylinder	Cylinder
ND60	N123-022	N523-218	N123-021	N523-222	Closed	Cylinder
ND66	N123-022	N523-218	N123-021	N523-222	Cylinder	Cylinder
ND70	N123-022	N523-218	N123-032	N523-221	Cylinder	Closed
ND70x80	N123-022	N523-218	N123-021	N523-222	Cylinder	Cylinder
ND72	N123-022	N523-218	N123-021	N523-222	Cylinder	Cylinder
ND73	N123-022	N523-218	N123-032	N523-221	Cylinder	Push button
ND75	N123-022	N523-218	N123-021	N523-222	Cylinder	Cylinder
ND80	N123-022	N523-218	N123-032	N523-221	Cylinder	Closed
ND80EL, ND80EU	N123-022	N523-218	N123-032	N523-221	Cylinder	Closed
ND82	N123-022	N523-218	N123-021	N523-222	Cylinder	Cylinder
ND85	N123-022	N523-218	N123-032	N523-221	Cylinder	Push button
ND91	N123-022	N523-218	N123-032	N523-221	Cylinder	Push button
ND92	N123-022	N523-218	N123-032	N523-221	Cylinder	Push /turn button
ND93	N123-022	N523-218	N123-021	N523-222	Cylinder	Cylinder
ND94	N123-022	N523-218	N123-032	N523-221	Cylinder	Closed
ND95	N123-022	N523-218	N123-021	N523-222	Cylinder	Cylinder
ND96	N123-022	N523-218	N123-032	N523-221	Cylinder	Closed
ND96EL, ND96EU	N123-022	N523-218	N123-032	N523-221	Cylinder	Closed
ND97	N123-022	N523-218	N123-032	N523-221	Cylinder	Push button

Spring cage conversion by cylinder format

Cylinder format	Outside Spring Cage		Inside Spring Cage	
	Original	New	Original	New
JD, LD, PD, RD, ZD	N123-022	N523-218	N123-021	N523-222
BD, BDC, GD, HD	N123-056		N123-057	
LD SAR, LD C06	N123-064		N123-067	
JD CO6, JD SAR, JD CO7	N123-066		N123-069	
JD YA6, JD YA7, JD MED	N123-065	N523-224	N123-068	N523-225

Lever conversion

Lever conversion

Available lever designs: ATH=Athens, RHO=Rhodes, SPA=Sparta, TLR=Tubular, OME=Omega

Lever type	Original	New	Available lever design
Closed	03-030	03-230	ATH, RHO, SPA, TLR, OME
Privacy	03-031	03-231	ATH, RHO, SPA, TLR, OME
Push button or push and turn button	03-031	03-233	ATH, RHO, SPA, TLR, OME
Cylinder – Schlage® KIL (P, L)	03-031	03-231	ATH, RHO, SPA, TLR, OME
Cylinder – Schlage FSIC (R, J, T)	03-032	03-232	ATH, RHO, SPA, TLR, OME
Cylinder – Schlage SFIC (B, BDC, G, H)	03-000	03-200	ATH, RHO, SPA, TLR, OME
Cylinder – Corbin Russwin® KIL (LD CO6)	–	03-234	ATH, RHO, SPA, TLR
Cylinder – Corbin Russwin FSIC (JD CO6)	03-066	03-266	ATH, RHO, SPA, TLR
Cylinder – Corbin Russwin 7-pin FSIC (JD CO7)	–	03-235	RHO
Cylinder – Medeco® 31 (JD YA6)	03-055	03-255	ATH, RHO, SPA, TLR
Cylinder – Medeco 32 (JD MED)	–	03-237	ATH, RHO, SPA, TLR
Cylinder – Sargent® KIL (LD SAR)	03-044	03-244	ATH, RHO, SPA, TLR
Cylinder – Sargent FSIC (JD SAR)	03-077	03-277	ATH, RHO, SPA, TLR
Cylinder – Yale® FSIC (JD YA6)	03-055	03-255	ATH, RHO, SPA, TLR
Cylinder – Yale 7-pin FSIC (JD YA7)	–	03-236	RHO
Cylinder – Best®	03-000	03-200	ATH, RHO, SPA, TLR, OME

Button and plunger assembly conversion

Button type/function	Button		Plunger assembly	
	Original	New	Original	New
Push button (ND30, ND40, ND44, ND50, ND73, ND91, ND97)	N523-000	N523-209	N123-028	N123-086
Push and turn button (ND53, ND92)	N523-001	N523-210	N123-017	N123-085
Spanner button (ND85)	N523-124	N523-211	24071920	N123-087

Parts and kits

Conversion kits

Prior versions of ND locks may be upgraded to new parts and assemblies with conversion kits consisting of a spring cage assembly and lever assembly. Kits may be ordered for one or both sides of the lock. Kits are available for all lever designs. For allowable finishes, refer to current Schlage Commercial Price Book.

04-400, Outside conversion kit

Outside lever type	Cylinder type	Spring cage assembly	Lever	Stop catch	Driver
Closed (ND10)	–	N523-218	03-230	–	–
Closed (ND12, ND30, ND45, ND60)	–	N523-218	03-230	N523-041	–
Open KIL	Schlage KIL	N523-218	03-231	–	–
FSIC	Schlage FSIC	N523-218	03-232	–	–
SFIC	Schlage SFIC	N523-218	03-200	–	–
SARG KIL	Sargent KIL	N523-218	03-244	–	09-060
SARG FSIC	Sargent FSIC	N523-218	03-277	–	09-063
COR RUSS 6P FSIC	Corbin Russwin 6-pin FSIC	N523-218	03-266	–	09-062
YALE 6P FSIC	Yale 6-pin FSIC	N523-224	03-255	–	09-061

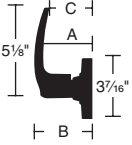
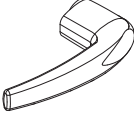
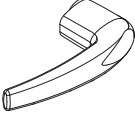
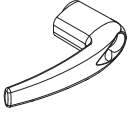
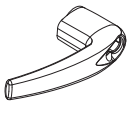
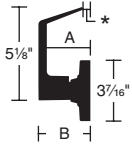
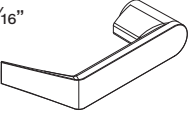
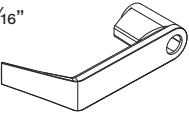
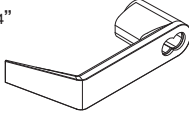
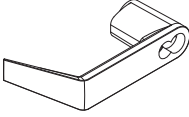
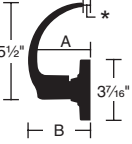
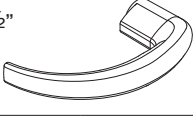
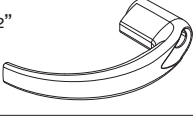
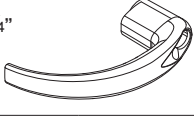
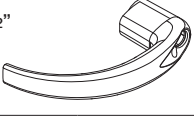
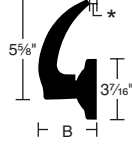
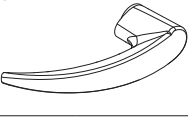
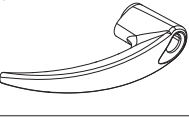
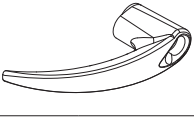
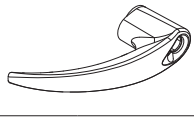
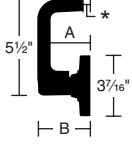
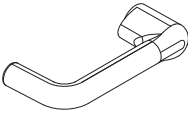
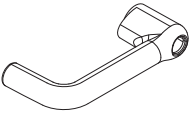
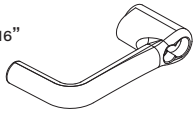
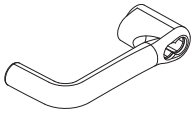
04-600, Inside conversion kit

Inside lever type	Cylinder type	Spring cage assembly	Lever	Button	Driver
Closed	–	N523-221	03-230	–	–
Closed, electrified	–	N523-221	03-230	–	–
Open, push button	–	N523-221	03-233	N523-209	–
Open, push and turn button	–	N523-221	03-233	N523-210	–
Open, spanner button (ND85)	–	N523-221	03-233	N523-211	–
Open KIL	Schlage KIL	N523-222	03-231	–	–
FSIC	Schlage FSIC	N523-222	03-232	–	–
SFIC	Schlage SFIC	N523-222	03-200	–	–
SARG KIL	Sargent KIL	N523-222	03-244	–	09-060
SARG FSIC	Sargent FSIC	N523-222	03-277	–	09-063
COR RUSS 6P FSIC	Corbin Russwin 6-pin FSIC	N523-222	03-266	–	09-062
YALE 6P FSIC	Yale 6-pin FSIC	N523-255	03-255	–	09-061

Parts and kits

Lever

All lever designs are available in finishes 605, 606, 612, 613, 619, 625, 626 and 626AM.

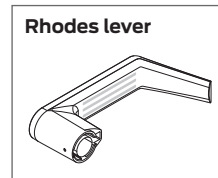
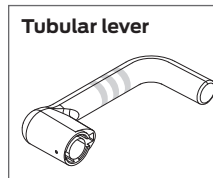
	Closed levers	Open, button levers	Interchangeable core levers	SFIC levers
Athens (ATH) 	03-230 ATH A=2 3/4" B=3 5/16" C=2 1/2" 	03-231 ATH, 03-233 ATH A=2 3/4" B=3 5/16" C=2 1/2" 	03-232 ATH A=3" B=3 1/2" C=2 1/16" 	03-200 ATH A=2 7/8" B=3 3/8" C=2 1/2" 
Rhodes (RHO) 	03-230 RHO A=2 7/16" B=2 15/16" 	03-231 RHO, 03-233 RHO A=2 7/16" B=2 15/16" 	03-232 RHO A=2 3/4" B=3 1/4" 	03-200 RHO A=2 1/2" B=3" 
Sparta (SPA) 	03-230 SPA A=3" B=3 1/2" 	03-231 SPA, 03-233 SPA A=3" B=3 1/2" 	03-232 SPA A=3 1/4" B=3 3/4" 	03-200 SPA A=3" B=3 1/2" 
Omega (OME) 	03-230 OME B=3 5/16" 	03-231 OME, 03-233 OME B=3 5/16" 	03-232 OME B=3 1/2" 	03-200 OME B=3 3/8" 
Tubular (TLR) 	03-230 TLR A=2 1/4" B=3" 	03-231 TLR, 03-233 TLR A=2 1/4" B=3" 	03-232 TLR A=2 1/2" B=3 3/16" 	03-200 TLR A=2 1/4" B=3" 

* Meets California Fire Code for 1/2" or less return to the door.

Tactile warning

Not available on Omega levers

Preface design code for tactile warning levers			
Athens	Rhodes	Sparta	Tubular
8AT	8RH	8SP	8TR



Parts and kits

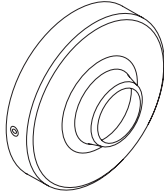
Roses

Inside/outside rose, 03-042 RHO

Standard inside or outside rose for use with ATH, RHO, SPA or TLR levers.

Size: 3⁷/₁₆" dia.

Available in 605, 606, 612, 613, 619, 625, 626.

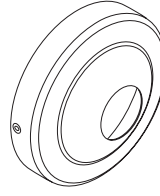


Omega inside/outside rose, 03-042 OME

Standard inside or outside rose for use with OME levers.

Size: 3⁷/₁₆" dia.

Available in 605, 606, 612, 613, 619, 625, 626.



Blank outside rose, N523-002

Standard inside or outside blank rose. For ND25, ND25x70 or ND25x80.

Size: 3¹/₂" dia.

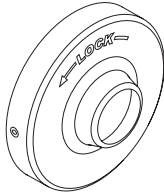


Printed inside rose (Rhodes) XN12-035

Inside rose printed with "LOCK". For use with classroom security function locks with ATH, RHO, SPA or TLR levers.

Size: 3⁷/₁₆" dia.

Available in 626 only.

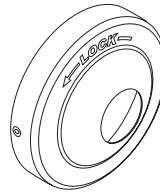


Printed inside rose (Omega) XN12-045

Inside rose printed with "LOCK". For use with classroom security function locks with OME levers.

Size: 3⁷/₁₆" dia.

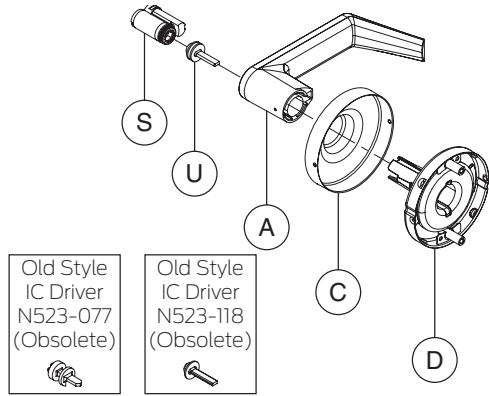
Available in 626 only.



Parts and kits

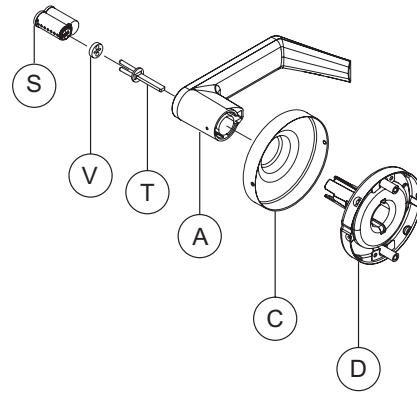
Full size IC and SFIC (small format interchangeable core) configurations

Full size IC—outside



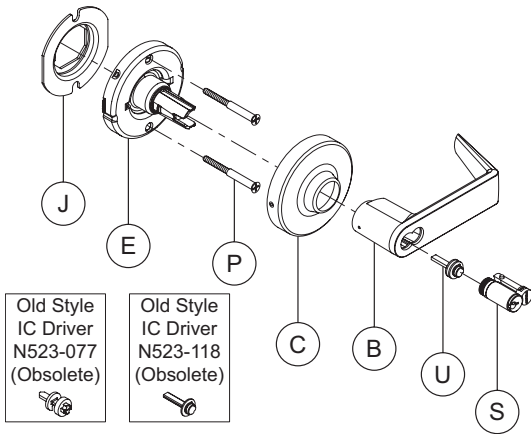
Letter	Description	Part number
A	Outside lever—full size IC	03-232
C	Rose	03-042
D	Outside spring cage—standard	N523-218
S	Cylinder—full size IC	23-030
U	IC driver	N523-127

SFIC—outside



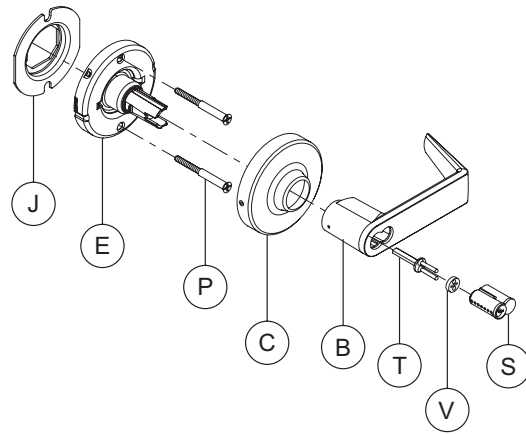
Letter	Description	Part number
A	Outside lever—SFIC	03-200
C	Rose	03-042
D	Outside spring cage—SFIC	N523-218
S	Cylinder—SFIC	80-037
T	SFIC driver	N523-091
V	Small format IC spacer (6-pin only)	D500-000

Full size IC—inside



Letter	Description	Part number
B	Inside lever—full size IC	03-232
C	Rose	03-042
E	Inside spring cage —keyed inside except SFIC	N523-222
J	Anti-rotation plate	N523-055
P	Mounting screw	N523-021
S	Cylinder—full size IC	23-030
U	IC driver	N523-127

SFIC—inside

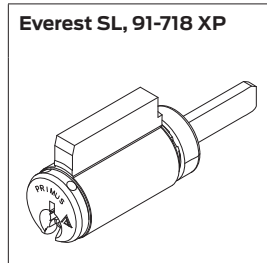
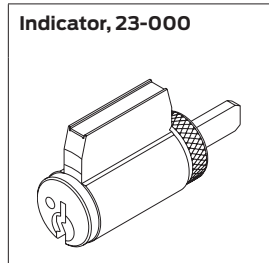
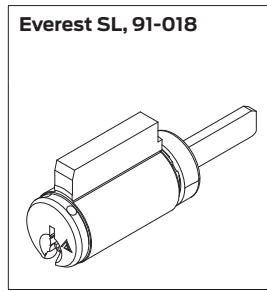
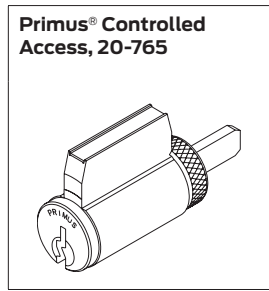
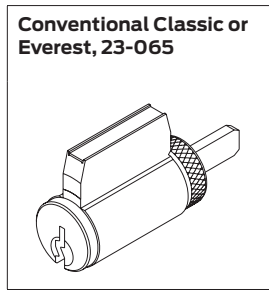


Letter	Description	Part number
B	Inside lever—SFIC	03-200
C	Rose	03-042
E	Inside spring cage—SFIC	N523-222
J	Anti-rotation plate	N523-055
P	Mounting screw	N523-021
S	Cylinder—SFIC	80-037
V	Small format IC spacer (6-pin only)	D500-000

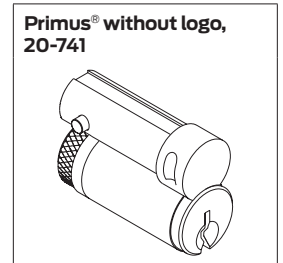
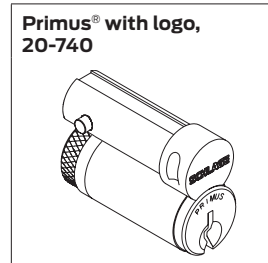
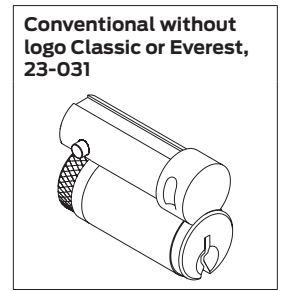
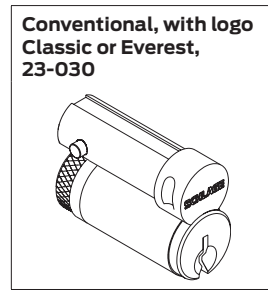
Parts and kits

Cylinders

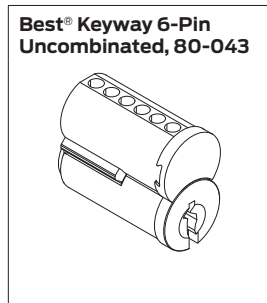
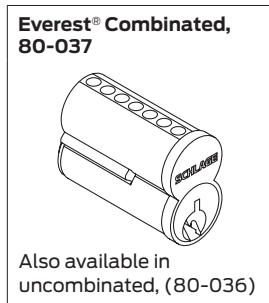
Standard cores



Full size interchangeable cores



Small format interchangeable cores



Cylinder tailpieces

Cylinder Format	Tailpiece
Schlage, SCH-FSIC	N523-127
Schlage, SCH-SFIC	N523-091


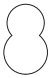



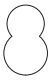
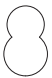

Parts and kits

Competitor cylinder options

Available for all keyed functions. Available lever designs: Athens (ATH), Rhodes (RHO), Sparta (SPA) and Tubular (TLR).

Competitor lever designs are available in finishes 613, 626 and 626AM.

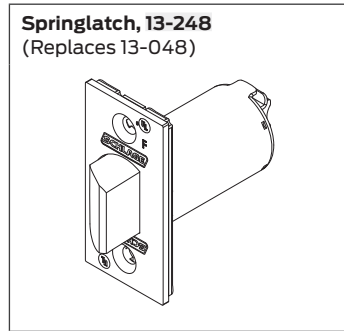
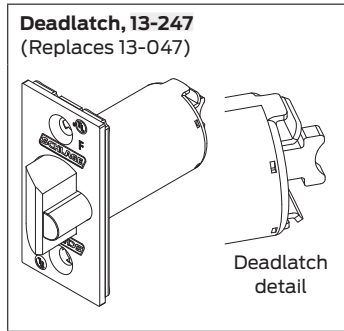
Tactile warning is available. See **Tactile warning** on page 96 for details.

Cylinder	Order suffix	Description	Lever	Spring cage		Cylinder tailpiece
				Outside	Inside	
	LD SAR	Sargent Key In Lever	03-244	N523-218	N523-222	09-060
	JD SAR	Sargent Full Size Interchangeable Core cylinder	03-277			09-063
	LD CO6	Corbin Russwin Key in Lever 6-pin cylinder	03-234	N523-218	N523-222	10-141
	JD CO6	Corbin Russwin Full Size Interchangeable Core 6-pin cylinder	03-266			09-062
	JD CO7	Corbin Russwin Full Size Interchangeable Core 7-pin cylinder	03-235			10-140
	JD YA6	Medeco 31 and Yale Full Size Interchangeable Core 6-pin cylinder	03-255	N523-224	N523-225	09-061
	JD MED	Medeco 32 Full Size Interchangeable Core	03-237			10-143
	JD YA7	Yale Full Size Interchangeable Core 7-pin cylinder	03-236			10-142

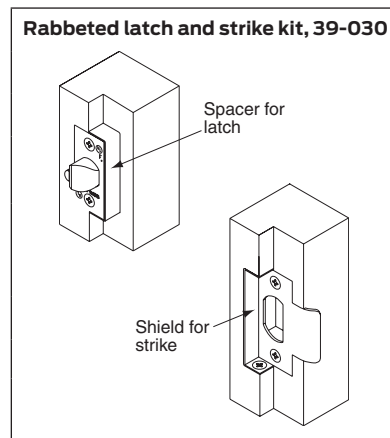
Parts and kits

Latches

All ND-Series latches have one-inch diameter housing and adjustable faceplates for flat or beveled doors.



Backset	Description	Springlatch	Deadlatch
2 ³ / ₈ "	Square corner, 1 ¹ / ₈ " x 2 ¹ / ₄ "	—	14-047
	Square corner, 1" x 2 ¹ / ₄ "	—	14-048
2 ³ / ₄ "	Square corner, 1 ¹ / ₈ " x 2 ¹ / ₄ ", standard	13-248	13-247
2 ³ / ₄ "	Anti-friction fire door latch, square corner, 1 ¹ / ₈ " x 2 ¹ / ₄ ", 3/4" throw, 1 ³ / ₈ " - 6" door range	—	14-042***
3 ³ / ₄ "	Square corner, 1 ¹ / ₈ " x 2 ¹ / ₄ "	14-010	14-028
5"	Backset extension link	—	43-005**
—	Rabbeted latch and strike kit (605, 626 only)	39-030*	

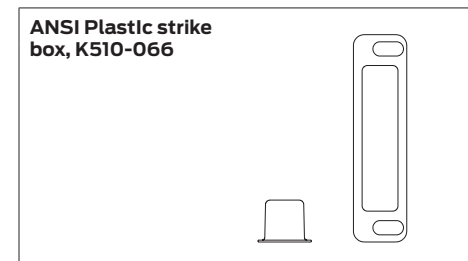
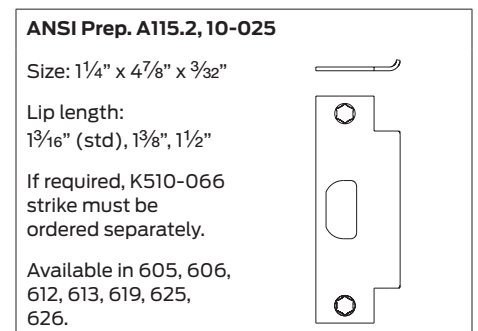
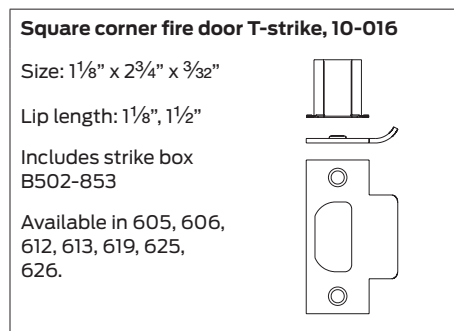
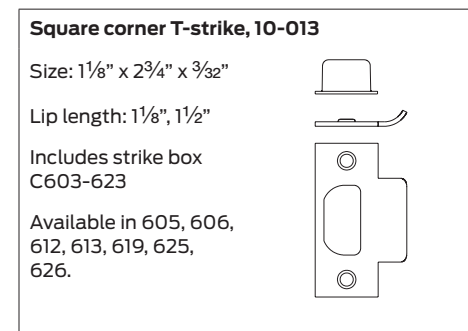


* Adapts square corner latch and 2³/₄" high square corner strike to 1/2" rabbeted door and frame preparations.

** Can only be used with 2³/₄" backset latch.

*** Used for pairs of fire-rated doors.

Strikes



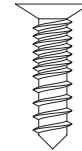
Parts and kits

Screws, screw packs and special parts

Screws

Part no.	Description	Door thickness	Type	Size
A501-171	ND170, washer	–	Washer	–
N523-092	ND170, mounting screw	1½" - 2"	POH machine	¼"-20 x 2½"
L583-133	ND170, mounting, escutcheon	–	Sheet metal	#8 X 1"
N623-030	Motor assembly	–	PFH combo	#4-40 X ¾"
N523-135	RX switch	–	Hex	#2-56 X ¾"
N523-240	Chassis to spring cage	–	PFH combo	#8-32 x ¼"
L583-454	Chassis	–	PFH	#8-32 x ¾"
C603-256	ANSI strike screw	–	PFH combo	12-24 X 1"
C603-897	Latch and strike screw	–	PFH combo	#8 X ¾"
N523-021	Spring cage screws	1¾" - 2"	POH machine	#10 X 32 x 2½"

ANSI strike screw,
C603-256



Latch and strike screw,
C603-897



Screw packs, standard

Part no.	Description	Contents
B502-517	Latch and strike screws	(4) C603-897
N123-020	Mounting, all except ND170	(4) C603-897
		(2) C603-256
		(2) N523-021
		(1) M504-271
N123-040	Mounting, ND170	(2) L583-133
		(1) N523-092
		(1) A501-171
		(1) M504-271
		(2) C603-256

Special parts

Part no.	Description
XQ02-309*	10-013 Strike, 7/8" flat lip
XQ03-494*	10-013 Strike, 1½" - 6" lip
	10-013 Strike, 6½" - 12" lip
XQ07-351*	10-025 Strike, 7/8" flat lip
	10-025 Strike, lips 7/8" through 6" (except 1¾", 1¾" and 1½")
XC03-069	Extension links, backsets over 5" - 42"
XN12-012**	Chassis spacer for 1¾" door (2 required)
35-250	Emergency key, ND40
35-251	Spanner key, ND85

1¾" Chassis
spacer, XN12-012**



ND40 Emergency
key, 35-250



Screw packs, Torx®

Part no.	Description	Contents
C203-311	Latch and strike (includes tool)	(4) C503-766 (T-15)
C203-312	Latch and ANSI strike (includes tool)	(2) C503-766 (T-15)
		(2) L583-371 (T-20)

* Specify lip length.

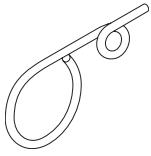
** Specify finish.

Parts and kits

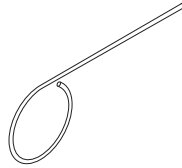
Installation tools and kits

Boring jigs and tools are designed to provide fast and accurate lock installation. Complete kits or individual tools can be ordered for preparing doors and jambs for Schlage products.

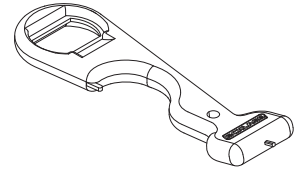
Pin wrench, N523-108



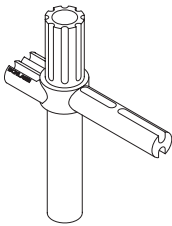
Old style pin wrench, M504-271



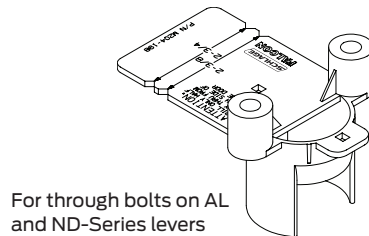
Lever removal tool, 24002693



Installation tool for interchangeable core, M504-413

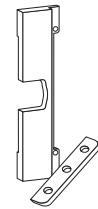


Drill fixture, M204-198

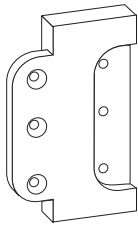


For through bolts on AL and ND-Series levers

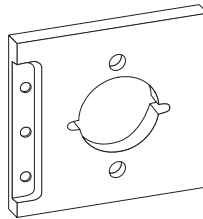
1 3/8" thick door adapter, 40-152



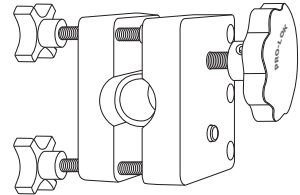
5" backset adapter, 40-153



Door template, 40-226



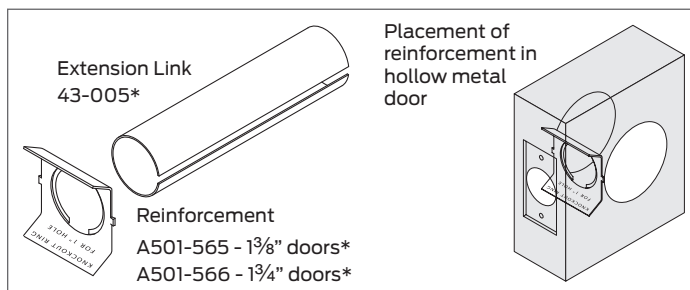
Universal clamp, 40-286



Reinforcement kit 37-001

Reinforcement kit 37-001 is used to reinforce and prevent the collapse of hollow metal doors when locksets are mounted. This kit should be used for installation in hollow metal doors to prevent lateral movement of the latch bolt. Extension link is included for long backset installations. Specify door thickness 1 3/8" or 1 3/4" when ordering.

* Parts may be ordered separately.



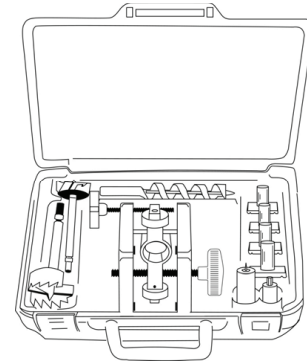
Parts and kits

Installation kit 40-147

Installation kit 40-147 for locksets and deadbolts is adjustable for 2 $\frac{3}{8}$ " and 2 $\frac{3}{4}$ " backsets. Includes a removable bushing adaptor for $\frac{7}{8}$ " latch hole. For door thickness 1 $\frac{3}{8}$ " to 2 $\frac{1}{8}$ ".

Part no.	Description	Part no.	Description
40-015	$\frac{7}{8}$ " bit	40-148*	Installation jig
40-029	Full lip strike chisel	40-175	1" bit
40-030	1 $\frac{1}{8}$ " x 2 $\frac{3}{4}$ " latch chisel	40-176	2 $\frac{1}{8}$ " multi spur bit
40-031	1" x 2 $\frac{1}{4}$ " latch chisel	40-177	1 $\frac{1}{2}$ " multi spur bit
40-032	1 $\frac{1}{8}$ " x 2 $\frac{1}{4}$ " latch chisel	M504-497*	Case
40-035	$\frac{7}{8}$ " strike locator		

* May be ordered separately.

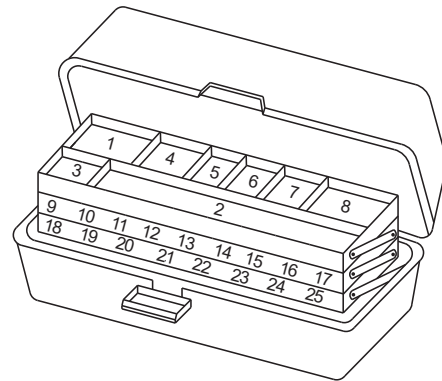


Maintenance Kit 40-097

Maintenance kit for ND-Series lever locks contains: plunger sleeves, screw packs in various finishes, slide catches and service parts listed below.

Part no.	Description	Qty	Slot no.
N523-055	Plate, anti-rotation	2	1
N523-020	Cylinder	3	2
N523-091	Driver, SFIC	5	2
N523-127	Driver, IC	5	2
23988066	Insert, gauge	10	3
N523-025	Clip, slide	2	4
N523-149	Slide	2	4
D500-000	Spacer, SFIC	5	5
N523-021	Screw, mounting	4	5
N523-092	Screw, machine, oval head	4	5
C604-187	Catch, slide	2	6
C604-188	Catch, slide	2	6
C604-191	Spring, catch, slide	4	6
C503-019	Slide, spring	8	7
N523-054	Plate, adjustment	2	8
N123-007	Keycam assembly	2	9
N123-008	Keycam assembly	2	10
N123-009	Keycam assembly	2	11
N123-010	Keycam assembly	2	12
N123-011	Keycam assembly	2	13
N123-012	Keycam assembly	2	13
N123-013	Keycam assembly	2	14
24002693	Tool, trim removal	2	15
N123-086	Plunger assembly	5	16
N123-085	Plunger assembly	3	17
N523-177	Spindle, inside	2	18
N523-013	Spindle, outside	2	19
N523-019	Spindle, outside, electrified	2	20
N123-020	Package, screw	2	21
N123-040	Package, screw	2	22
24085037	Hub, inside	2	23
24085060	Hub, inside, double cylinder	2	24
24088544	Housing, outside	2	Bottom

Part no.	Description	Qty	Slot no.
M504-413	Installation tool, IC	1	Bottom
N523-218	Spring cage assy, outside	2	Bottom
N523-221	Spring cage assy, inside	1	Bottom
N523-222	Spring cage assy, SFIC, I/S	1	Bottom
N523-223	Spring cage assy, dummy	1	Bottom
N523-224	Spring cage assy, outside, comp	1	Bottom
N523-225	Spring cage assy, inside, comp	1	Bottom
P515-181	Component sheet	1	Bottom



Electrified locks

Electrified locks

ND-Series UL, electrically locked (fail safe)

Outside knob/lever or both outside and inside knobs/levers (depending on function) will lock when power is applied. In the event of power failure, the opening will be unlocked.

ND-Series UL, electrically unlocked (fail secure)

Outside knob/lever or both outside and inside knobs/levers (depending on function) will unlock when power is applied. In the event of power failure, the opening will be locked.

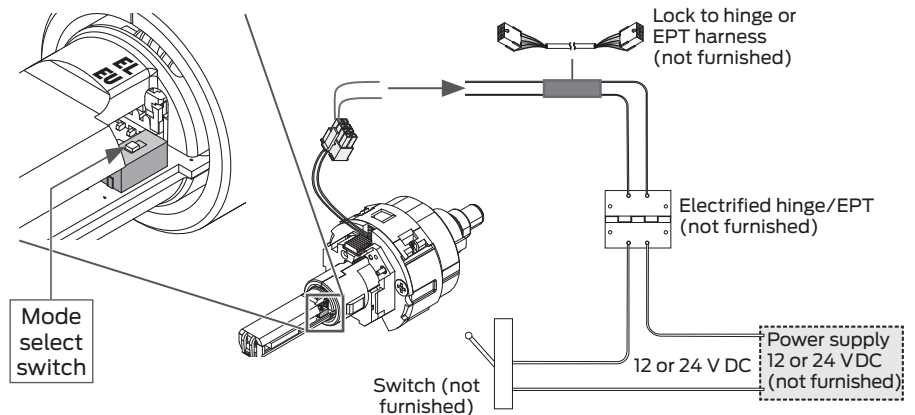
Electrical requirements

ND-Series electrified locks are powered by DC power only. DO NOT USE AC POWER.

- Voltage: 12 or 24 V DC (maximum 26.4 V, minimum 10.8 V)
- Holding current: 10 mA
- Peak current: 230 mA
- Operating temperature: 32°F to 120°F (0°C to 49°C)
- All power requirements shown are for single lock operation.

Maximum Total Wire Length				
AWG	14	16	18	20
12 V	500' (152 m)	300' (91 m)	200' (61 m)	100' (30 m)
24 V	Up to 1000' (304 m)			

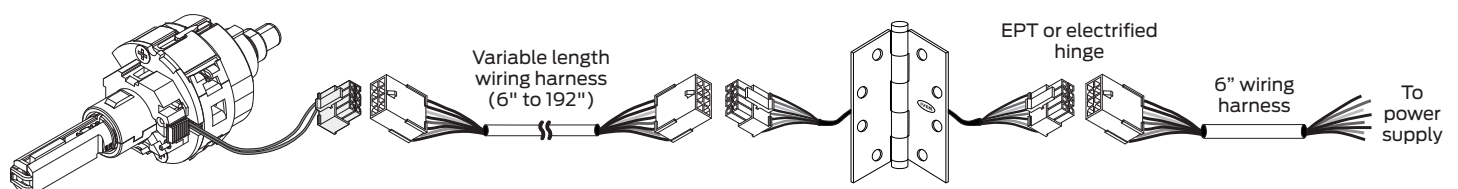
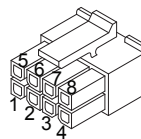
Note: Either lock wire may be attached to either power supply terminal (+ or -).



Allegion Connect

Allegion Connect, a factory-installed Molex® connector system, provides simplified installation and maintenance utilizing quick-connect harnesses and hinges. Alternatively, the Molex connector may be cut off and the lock installed with traditional wire splicing methods.

WIRE COLOR AND FUNCTION		
Pin	Color	Function
1	Black	Power (auto detects GND, +12 or +24 V DC)
2	Red	Power (auto detects GND, +12 or +24 V DC)
3	Purple	RX NO (normally open)
4	Grey	RX NC (normally closed)
5	White	RX COM (common for RX)
6, 7, 8		Not used



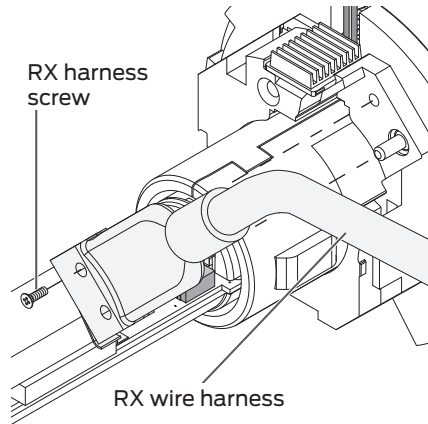
Request-to-exit feature

Request-to-exit feature

Request-to-exit (RX) utilizes a microswitch attached to the lock chassis to detect rotation of the inside knob/lever. The switch then signals the use of the opening to the security system.

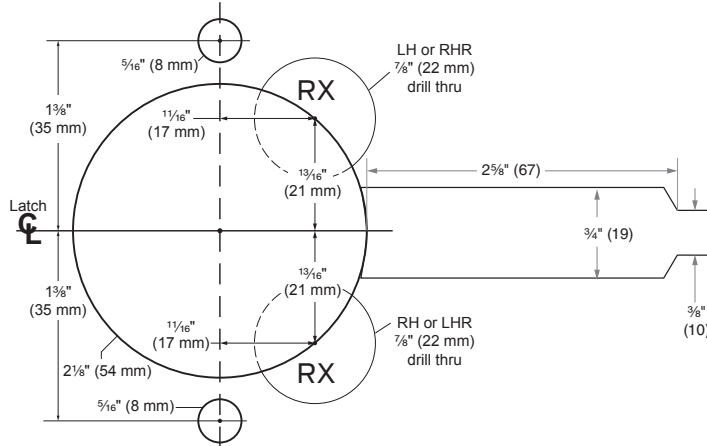
Attach wires from the RX switch wire harness to an electrified hinge/EPT (not furnished). Refer to **Allegion Connect** on page 105 for wire identification.

Electrical rating: 2 A, 30 V DC



Door Preparation: Important! Drill RX hole first.

Drawing is not to scale.



Finishes

Schlage Lock finishes are durable, top quality finishes obtained by the careful processing of solid brass, bronze, stainless steel, or other materials.

Where required, a protective clear coating is applied and cured under high temperature. It is important that the climatic conditions and usage be taken into consideration when selecting finishes. This is especially true in areas subjected to strong corrosive vapors, humid climate, or sea air which, in short time, may have a damaging effect on metal finishes.

The longevity and preservation of the finish appearance is determined by base metal and finishing process. Clear protective coating or other organic finishing applications may

require different methods of cleaning and care. For example, non-clear coated finishes should not be cleaned with any soaps or solvents. Organically coated surfaces should periodically be cleaned with a mild non-abrasive soap and be buffed lightly with a clean cloth. The type of base metal and finished techniques must be considered when applying any cleaning or preservative method.

In some instances for customer convenience, the most appropriate BHMA (Builders Hardware Manufacturers Association) finish symbols are used to indicate similarity of appearance regardless of base metal or finishing process. Finish numbers in the 600-Series are the BHMA industry standard. The nearest former U.S. equivalent code designations are shown in parenthesis.

Finish codes and descriptions

Schlage code	BHMA	Description
605	(US 3)	Bright brass, clear coated
606	(US 4)	Satin brass, clear coated
612	(US 10)	Satin bronze, clear coated
613	(US 10B)	Oil rubbed bronze, oxidized satin bronze, oil rubbed, no coating
619	(US 15)	Satin nickel, clear coated
622	(US 19)	Matte black

Schlage code	BHMA	Description
625	(US 26)	Bright chromium plated, no coating
626	(US 26D)	Satin chromium plated, no coating
626AM		Antimicrobial coating on satin chromium
643e	(US 11)	Aged bronze

Ordering procedures

Ordering procedures

To order Schlage products, descriptive data should be in the same sequence as shown below.

Line Item	Qty	Product	Outside		Inside		Hand	Latch	Strike	Dr Thk	Ext	Dim	Additional Details
			DES	FIN	DES	FIN							
1	2	3	4	5	6	7	8	9	10	11	12	13	14

Line Item:	Line item number
Qty:	Quantity
Product:	Complete lock product or part number
Outside DES:	Outside design code
Outside FIN:	Outside finish code
Inside DES:	Inside design code
Inside FIN:	Inside finish code
Hand:	Hand of door: Only one hand allowed per line item. Example: RH=right hand, LH=left hand, RR=right reverse, LH=left reverse
Latch:	Leave blank for standard latch or specify part number if non-standard latch is required
Strike:	Leave blank for standard strike or specify part number if non-standard latch is required. LLL=less strike
Dr Thk:	Door thickness: Enter door thickness if non-standard, example 138=1 ³ / ₈ ", 214=2 ¹ / ₄ ", 212=2 ¹ / ₂ " (EI or EO assumes the latch will be centered on 1" door, to which material has been added)
Ext:	Extension: Enter one of the following when door 2" thick or greater are specified: EE=extended equally, EI=extended inside, EO=extended outside, ED=extended differently
Dim:	Dimension: Enter dimension for non-standard strike lip length and mortise cylinder or blocking ring length
Additional Details:	Enter detail for keying information and for special requirements

Limited warranty

Product warranty: Commercial applications

Limited warranty

Schlage Lock Company, LLC (the “Company”) extends a three-year limited warranty and one year limited electromechanical warranty to the original user of the products manufactured by the Company (the “Products”) against defects in material and workmanship from the date of purchase. Certain Products contain restrictions to this limited warranty, additional warranties or different warranty periods. Please see below for specific Product warranty information.

What the Company will do: Upon return of the defective Product to the Company or its authorized distributor for inspections, free and clear of all liens and encumbrances and accompanied by the statement of defects or proof of purchase, the Company will replace the Product.

Original User: These warranties only apply to the Original User of Products. These warranties are not transferable.

What Is not covered: The following costs, expenses and damages are not covered by the provisions of these limited warranties: (i) labor costs including, but not limited to, such costs for the removal and reinstallation of Products; (ii) shipping and freight expenses required to return the Products to the Company; or (iii) any other incidental, consequential, indirect, special and/or punitive damages, whether based on contract, warranty, tort (including, but not limited to strict liability or negligence), patent infringement, or otherwise, even if advised of the possibility of such damages. Some states do not allow the exclusion or limitation of incidental or consequential damages, so the above exclusion or limitation may not apply to you.

The provisions of this warranty do not apply to Products: (i) used for purposes for which they are not designed or intended; (ii) which have been subjected to alteration, abuse, misuse, negligence or accident; (iii) which have been improperly stored, installed, maintained or operated; (iv) which have been used in violation of written instructions provided by Schlage; (v) which have been subjected to improper temperature, humidity or other environmental conditions (i.e., corrosion); or (vi) which, based on the Company's examination, do not disclose to the Company's satisfaction non-conformance to the warranty. Additionally, the Company will not warrant ANSI A156.2 Grade 2 lever Product installed in educational facilities and student housing.

Specific product warranty restrictions/additional warranties

ND-Series Levers 10-Year Mechanical Warranty: The limited warranty is provided for a period of ten (10) years from the date of purchase and is subject to the restrictions of these limited warranties.

Small Format Interchangeable Core (SFIC) Warranty: The limited warranty also applies to Schlage locks and housings when used with another manufacturer's cores, or to Schlage cores (i.e. SFIC) when used in another manufacturer's locks and housings. The use of unauthorized cylinder cams or other components with the Products shall void these warranties.

Everest® Primus® Limited Lifetime Key Breakage Warranty: A limited lifetime warranty is provided to the original user against breakage and is subject to the restrictions of these limited warranties.

Product warranties, additional terms & conditions: commercial and residential applications

Additional Terms: The Company does not authorize any person to create for it any obligation or liability in connection with the Products. The Company's maximum liability under these warranties is limited to the purchase price of the Product. No action arising out of any claimed breach of these warranties by the Company may be brought by the original user more than one (1) year after the cause of action has arisen.

How State Law applies: These warranties give you specific legal rights, and you may also have other rights which vary from state to state.

Note: Should the Product be considered a consumer product as may be covered by the Magnusson Moss Federal Warranty Act, please be advised that: (1) Some states do not allow limitations or incidental consequential damages or how long an implied warranty lasts so that the above limitations may not fully apply; and (2) This warranty gives specific legal rights and a user may have other rights which may vary from state to state.

For warranty service and shipping instructions, Schlage and Portable Security Commercial customers contact:

Schlage, Customer Care
3899 Hancock Expressway
Colorado Springs, CO 80911
(877) 671-7011
Fax (800) 452-0665

The Schlage Lock Company reserves the right to make changes in designs and specifications or to make additions or improvements on its products without notice and without incurring any obligation to incorporate them on products previously manufactured.

The Schlage Lock Company is not responsible for any modification, addition or alteration to our products by others.

About Allegion™

Allegion (NYSE: ALLE) is a global pioneer in safety and security, with leading brands like CISA®, Interflex®, LCN®, Schlage® and Von Duprin®. Focusing on security around the door and adjacent areas, Allegion produces a range of solutions for homes, businesses, schools and other institutions. Allegion is a \$2 billion company, with products sold in almost 130 countries.

For more, visit www.allegion.com.

aptiQ ■ LCN ■ **SCHLAGE** ■ STEELCRAFT ■ VON DUPRIN