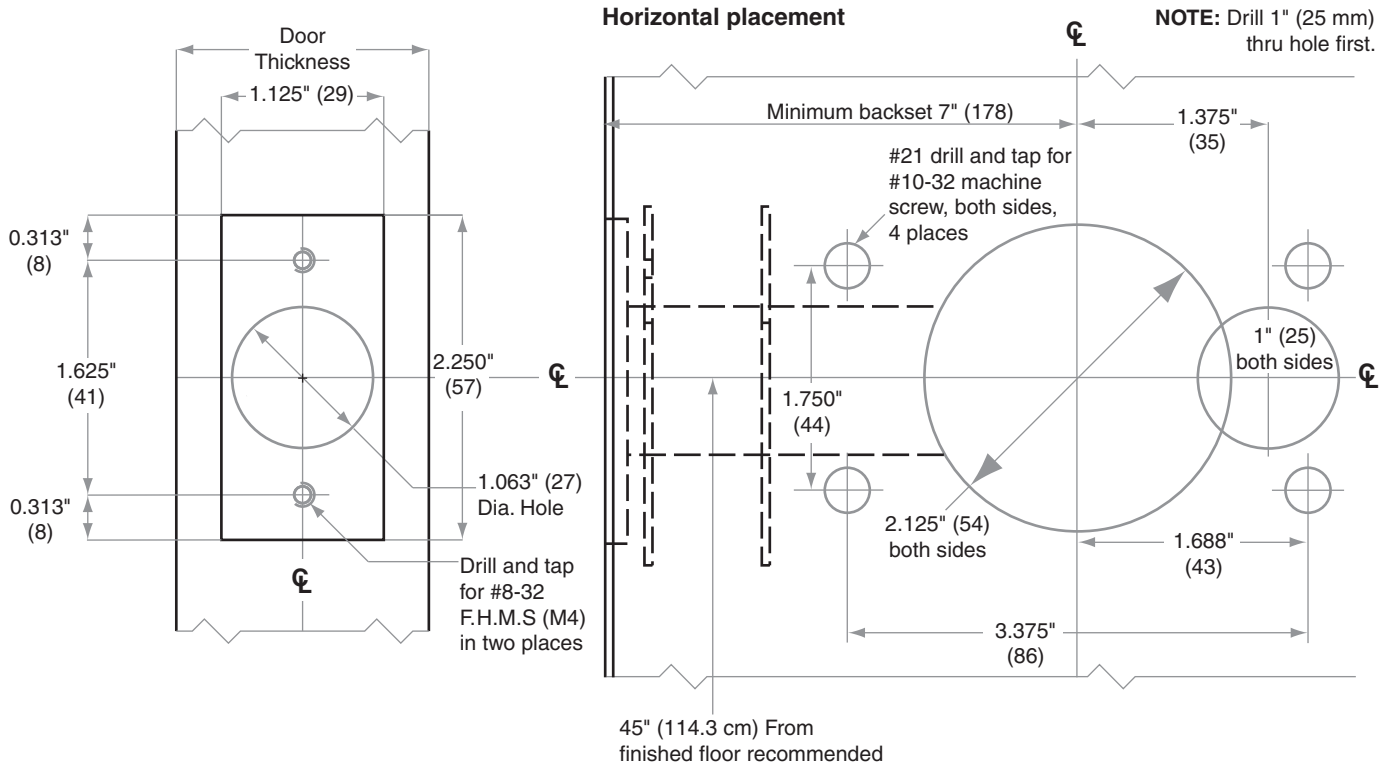




PL-Series Hospital Latch

Model PL7, PL8 Privacy

Door Type: Metal, Flat or Beveled
 Door Thickness: 1¾" (44 mm)
 Faceplate: Square Corner, 1½" (29 mm) wide
 Backset: 7" (178 mm)



Dimensions shown in parentheses () are in millimeters.

Door preparation template

PL110