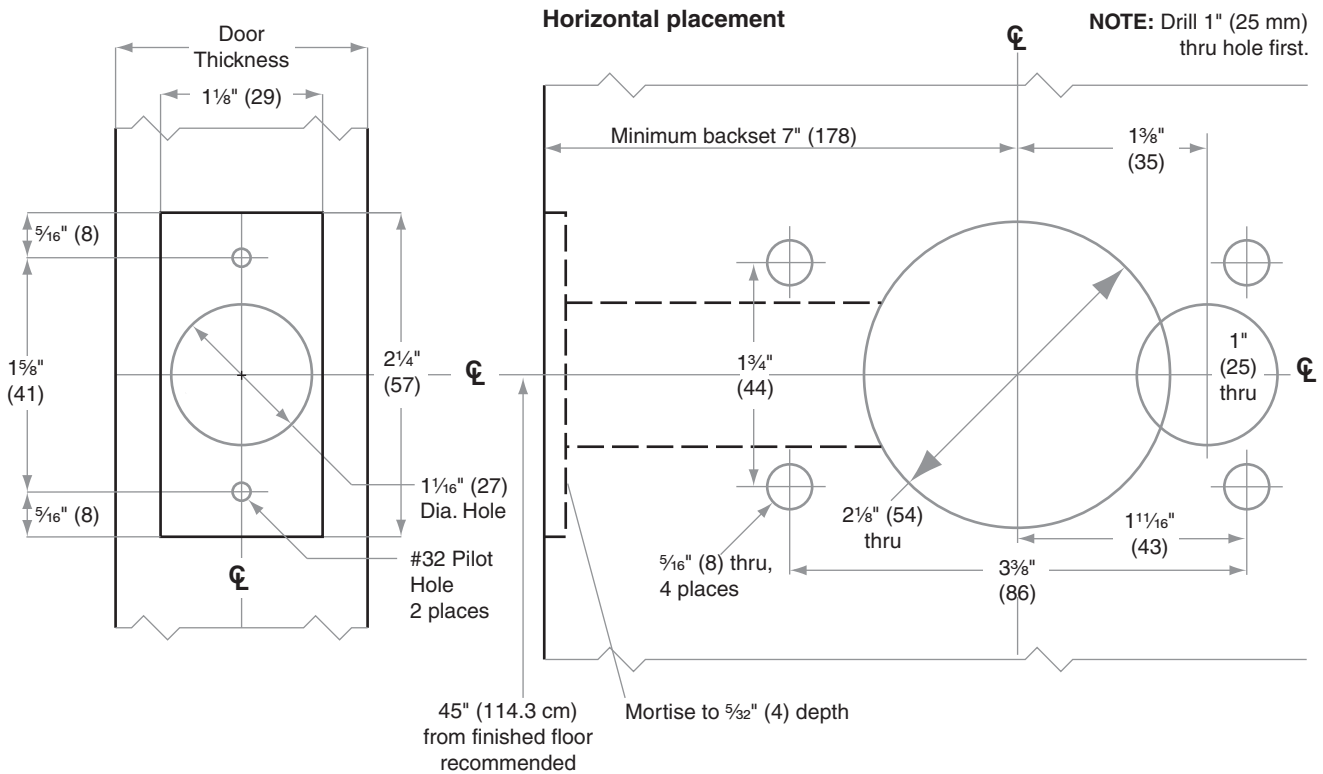




# PL-Series Hospital Latch

## Model PL7, PL8 Privacy

Door Type: Wood or Composite, Flat or Beveled  
 Door Thickness: 1 3/4" (44 mm)  
 Faceplate: Square Corner, 1 1/8" (29 mm) wide  
 Backsets: 7" (178 mm)



Dimensions shown in parentheses ( ) are in millimeters.

Door preparation template