



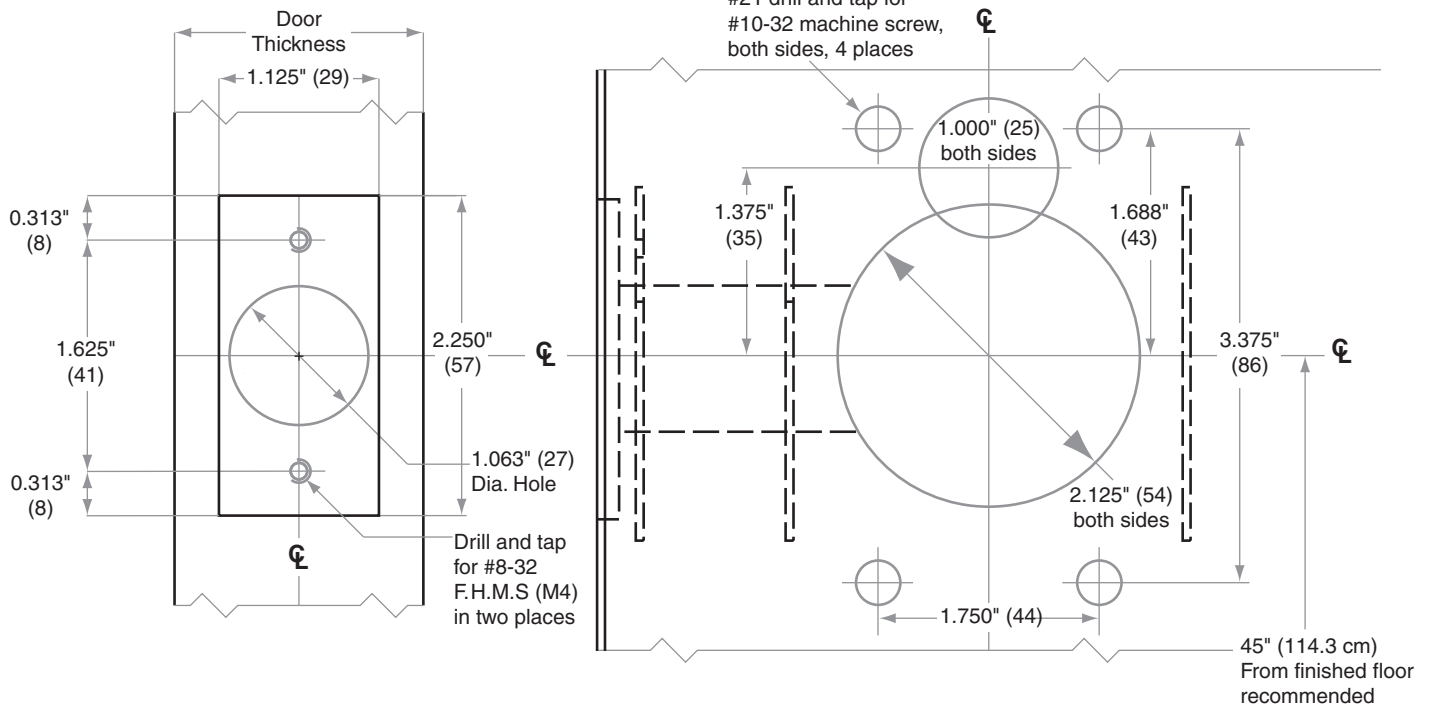
# PL-Series Hospital Latch

## Model PL7, PL8 Privacy

- Door Type: Metal, Flat or Beveled  
 Door Thickness: 1¾" (44 mm)  
 Faceplate: Square Corner, 1½" (29 mm) wide  
 Backset: 2¾" (70 mm), 3¾" (95 mm), 5" (127 mm), 7" (178 mm)

### Vertical placement

**NOTE:** Drill 1" (25 mm) thru hole first.



Dimensions shown in parentheses ( ) are in millimeters.

Door preparation template

# PL108