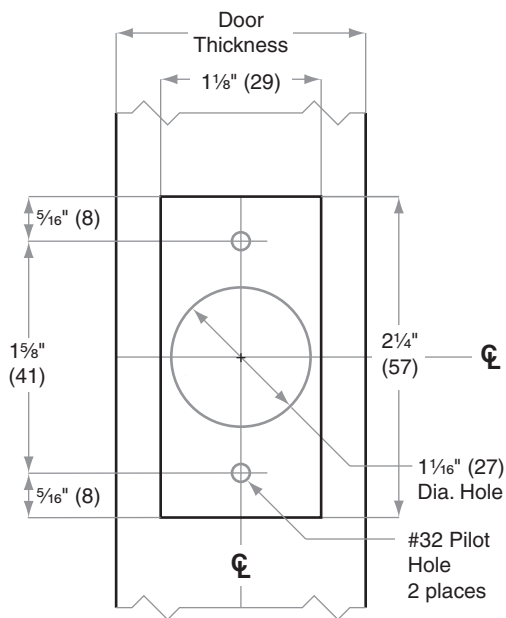




PL-Series Hospital Latch

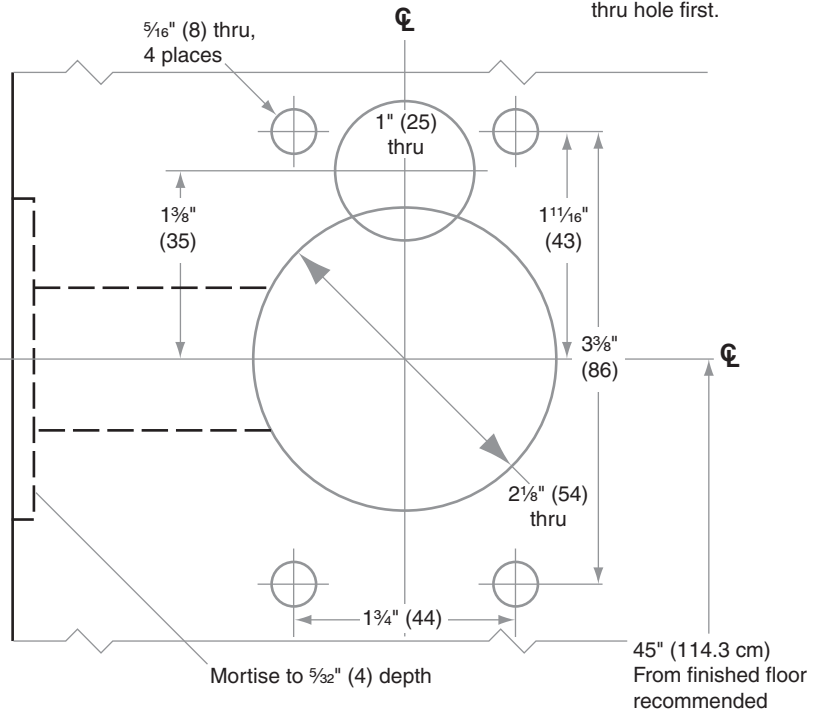
Model PL7, PL8 Privacy

- Door Type:** Wood or Composite, Flat or Beveled
Door Thickness: 1 3/4" (44 mm)
Faceplate: Square Corner, 1 1/8" (29 mm) wide
Backsets: 2 3/4" (70 mm), 3 3/4" (95 mm), 5" (127 mm), 7" (178 mm)



Vertical placement

NOTE: Drill 1" (25 mm) thru hole first.



Dimensions shown in parentheses () are in millimeters.

Door preparation template