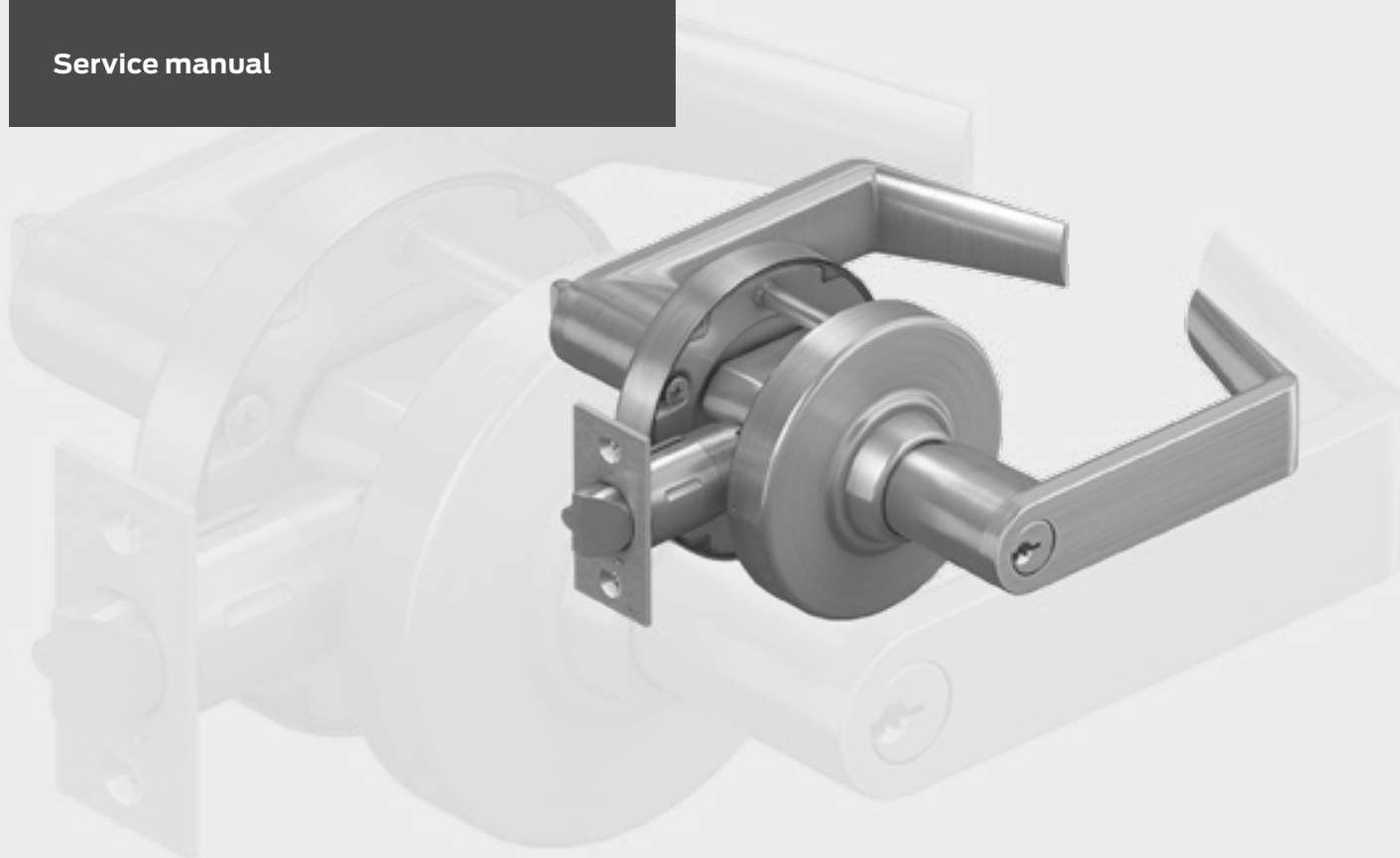


SCHLAGE

ALX Series

Service manual



Contents

4	Introduction	22	Roses
5	Lock Assembly Drawing Index	22	Strikes
7	Trim Assemblies	23	Latches
8	Passage Latch Trim	24	Cylinder Options
9	Bath/Bedroom Privacy Lock Trim	24	Standard Cylinders
10	Hospital Privacy Lock Trim	24	FSIC and SFIC Cylinders
11	Entrance/Office Lock Trim	25	Fasteners
12	Entrance Lock Trim	26	Reinforcements and adapters
13	Classroom Lock Trim	27	Finishes
14	Storeroom Lock Trim	28	Ordering procedures
15	Single Dummy Trim	28	Installation instructions and templates
16	Double Dummy Trim		
17	Chassis Assembly		
18	Kit components		
18	Chassis kit		
18	Function kit packs		
19	Lever kits		
19	Cylinder kits		
20	Levers		
20	Tactile warning levers		

Introduction

This manual contains a complete listing of ALX Series (Grade 2) cylindrical lock parts and assemblies manufactured by the Schlage Lock Company. This edition lists components of ALX Series locks manufactured after December, 2019.

Exploded views of trim are shown with parts for standard size doors, with accompanying charts to identify parts and subassemblies for replacement purposes. In addition, lock trim ordering procedures, general cylinder information, and all auxiliary components of the ALX Series cylindrical locks are included.

Schlage ALX Series lock parts are manufactured to close tolerances and are interchangeable between functions. Conversion of functions may be performed by identifying necessary substitution parts and following assembly as indicated on the lock drawings.

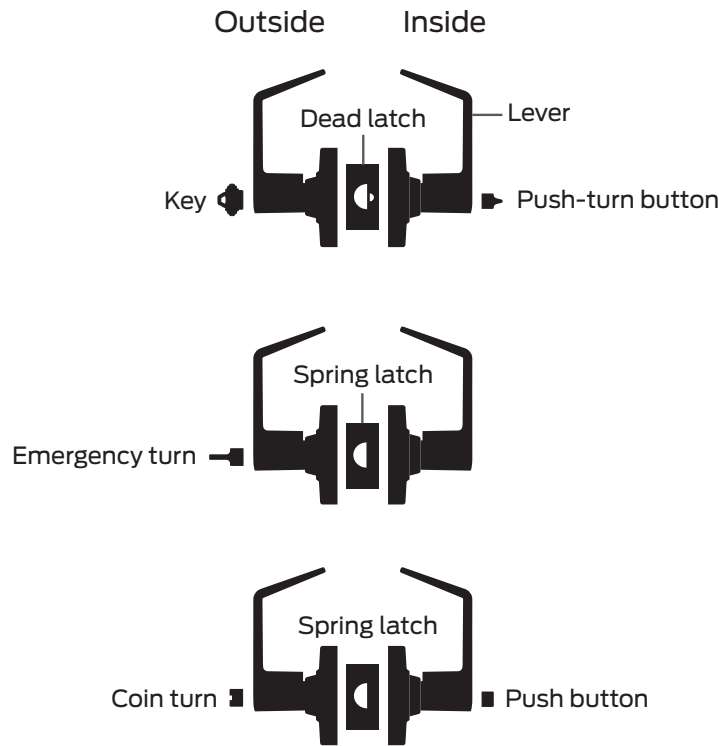
Standard Features*	
Certifications	ANSI/BHMA Certified A156.2, 2017, Series 4000, Grade 2, UL Listed for 3-hour fire door
Latch	1 $\frac{1}{8}$ " x 2 $\frac{1}{4}$ ", Square corner faceplate Standard $\frac{7}{8}$ " bolt diameter, up to 1" housing diameter, $\frac{1}{2}$ " throw Optional latches available (see page 23 or the Schlage Commercial Price Book).
Strike	Standard ANSI, 1 $\frac{3}{16}$ " Square corner, curved lip, no box, 1 $\frac{1}{4}$ " x 4 $\frac{7}{8}$ " Optional strike sizes and lip lengths available (see page 22 or the Schlage Commercial Price Book).
Backset	2 $\frac{3}{4}$ "
Cylinder	Standard 6-Pin conventional, solid brass, keyed 6-pin, S123 keyway, keyed different (KD) Also available in FSIC, SFIC, and 7-pin SL cylinder formats, plus less cylinder to fit competitor core options.**
Door Range	1 $\frac{3}{8}$ " – 1 $\frac{3}{4}$ " (will accommodate a door wrap-around plate)
Keys	Two nickel silver cut, 6-pin S123 section

* Locks are furnished with standard features unless otherwise specified.

** Items specified in C keyway will be furnished with cylinder keyed 5-pin and with 5-pin keys unless otherwise specified.

Lock Assembly Drawing Index

The Lock Assembly Drawing Index provides illustrations and textual descriptions of available functions. Page numbers for full trim drawings are referenced.



Function		ANSI A156.2, 2017, Series 4000, Grade 2			Trim
Schlage	ANSI	Description	Outside function	Inside function	Page
ALX10S	F75	Passage Latch	<ul style="list-style-type: none"> Lever is always unlocked. 	<ul style="list-style-type: none"> Lever is always unlocked and is always free for immediate egress. 	8
ALX40 ALXV40	F76	Bath/Bedroom Privacy Lock	<ul style="list-style-type: none"> Outside lever is locked by inside push-button. Outside coin turn unlocks outside lever to provide emergency access when outside lever is locked (blade type tool required). Outside lever retracts latch once coin turn is rotated with tool. Field selectable Vandlgard® feature. 	<ul style="list-style-type: none"> Inside push-button locks outside lever. Rotating inside lever or closing door releases push-button and prevents lock-out. Inside lever is always free for immediate egress. 	9
ALX44S ALXV44S	F76	Hospital Privacy Lock	<ul style="list-style-type: none"> Outside lever is locked by inside push-button. Outside emergency turn is rotated to provide emergency access when outside lever is locked (no tool required). Outside lever retracts latch once turn is rotated. Field selectable Vandlgard feature. 	<ul style="list-style-type: none"> Inside push-button locks outside lever. Rotating inside lever or closing door releases push-button and prevents lock-out. Inside lever is always free for immediate egress. 	10

Note: Any function with a dead latch locks the latchbolt when door is closed.

Lock Assembly Drawing Index

Function		ANSI A156.2, 2017, Series 4000, Grade 2			Trim
Schlage	ANSI	Description	Outside function	Inside function	Page
ALX50PD ALXV50PD	F82	Entrance/ Office Lock	<ul style="list-style-type: none"> • Outside lever is locked by inside push-button. • Outside key does not lock the outside lever. • Outside lever unlocked with key. • Field selectable Vandlgard feature. 	<ul style="list-style-type: none"> • Inside push-button locks outside lever. • Rotating inside lever releases push-button and unlocks outside lever. • Inside lever is always free for immediate egress. 	11
ALX53PD ALXV53PD	F109	Entrance Lock	<ul style="list-style-type: none"> • Turn/Push-Button: Outside lever is locked by pushing and turning the inside turn/push-button. Key must be used until turn/push-button is unlocked. Key will only retract the latch, will not unlock the outside lever. • Push-Button: Outside lever is locked by pushing the inside push-button. Key must be used until push-button is unlocked. Outside lever unlocked from outside with key. • Outside key does not lock the outside lever. • Field selectable Vandlgard feature. 	<ul style="list-style-type: none"> • Turn/Push-Button: Outside lever is locked by pushing and turning the inside turn/push-button until button is manually unlocked. • Push-Button: Pushing button locks outside lever. Turning inside lever releases button. • Inside lever is always free for immediate egress. 	12
ALX70PD ALXV70PD	F84	Classroom Lock	<ul style="list-style-type: none"> • Outside lever is locked and unlocked by key outside. • Field selectable Vandlgard feature. 	<ul style="list-style-type: none"> • Inside lever is always unlocked and free for immediate egress. 	13
ALX80PD ALXV80PD	F86	Storeroom Lock	<ul style="list-style-type: none"> • Outside lever is locked. • Entrance by key only to retract latch. • Field selectable Vandlgard feature. 	<ul style="list-style-type: none"> • Inside lever is always unlocked and free for immediate egress. 	14
ALX170		Single Dummy Trim	<ul style="list-style-type: none"> • Dummy trim for one side of door. • For use as door pull or matching inactive trim. 		15
ALX172		Double Dummy Trim	<ul style="list-style-type: none"> • Dummy trim, rigid levers on both sides of door. • No latch. (Blank latch cover available.) • No cylinder. • For use as door pull or matching inactive trim. 		16

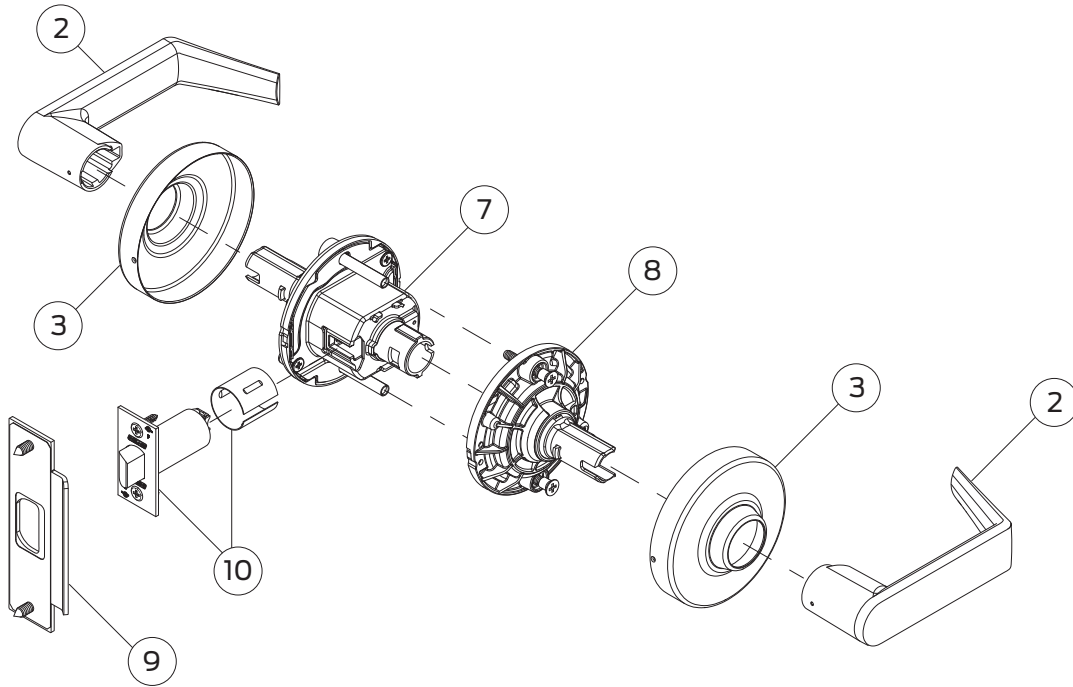
Note: Any function with a dead latch locks the latchbolt when door is closed.

Trim Assemblies

- 8 Passage Latch Trim
- 9 Bath/Bedroom Privacy Lock Trim
- 10 Hospital Privacy Lock Trim
- 11 Entrance/Office Lock Trim
- 12 Entrance Lock Trim
- 13 Classroom Lock Trim
- 14 Storeroom Lock Trim
- 15 Single Dummy Trim
- 16 Double Dummy Trim

Passage Latch Trim

ALX10S



No.	Description	Part no.
2	Closed lever (2)	03-230-RHO*
3	Rose (2)	03-042-RHO*
7	Chassis assembly	47267022

No.	Description	Part no.
8	Inside spring cage assembly with screws	47267025
9	Strike assembly, ANSI standard, no box	10-025*
10	Spring latch assembly, 2 ³ / ₄ " backset (includes latch housing sleeve for 1" latch bore)	47273614*

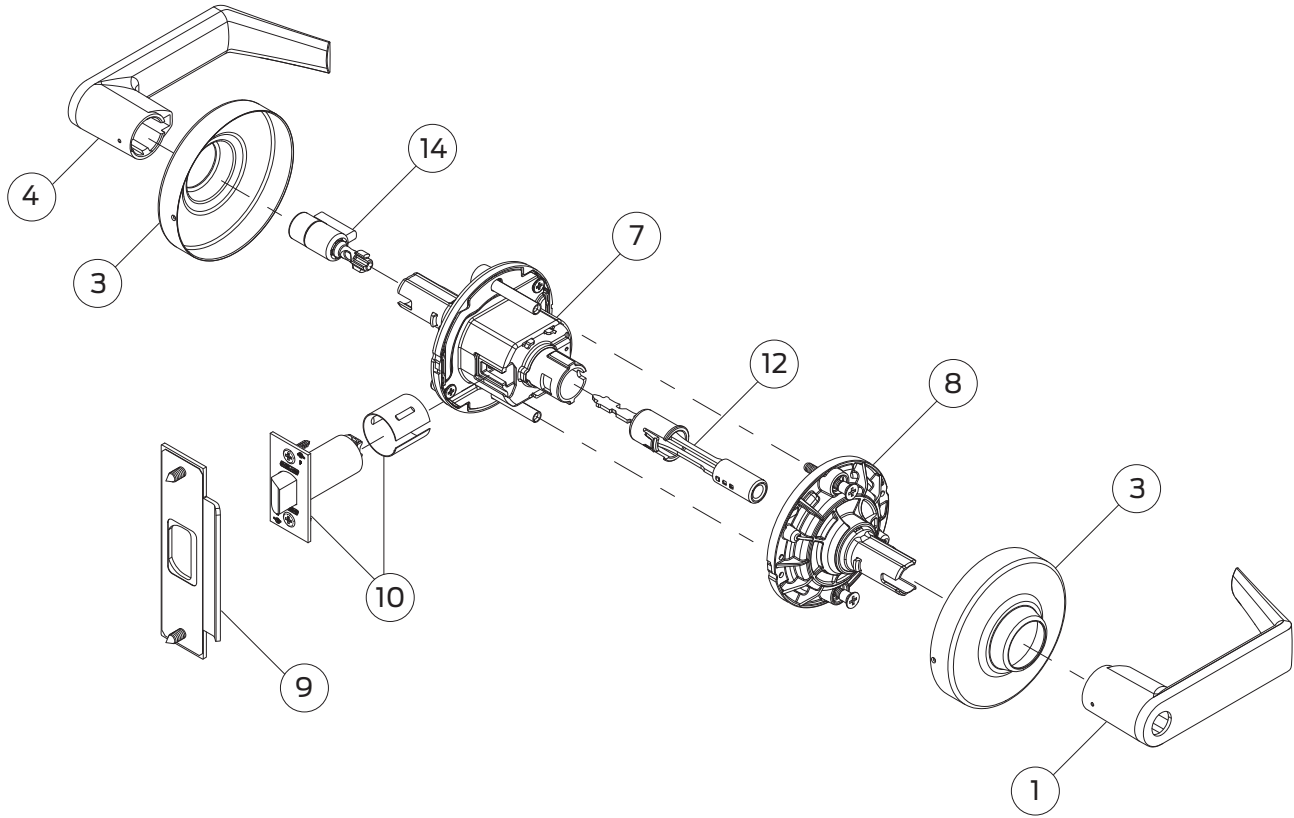
* Specify finish.

Note: Rhodes lever part number shown. See **pages 20 - 21** for lever information and a list of lever part numbers.

Trim Assemblies

Bath/Bedroom Privacy Lock Trim

ALX/ALXV40



No.	Description	Part no.
1	Button lever	03-233-RHO*
3	Rose (2)	03-042-RHO*
4	Open/KIL lever	03-231-RHO*
7	Chassis assembly	47267022
8	Inside spring cage assembly with screws	47267025

No.	Description	Part no.
9	Strike assembly, ANSI standard, no box	10-025*
10	Spring latch assembly, 2 ³ / ₄ " backset (includes latch housing sleeve for 1" latch bore)	47273614*
12	Interior push button assembly	47267030*
14	Exterior coin turn assembly	47267029*

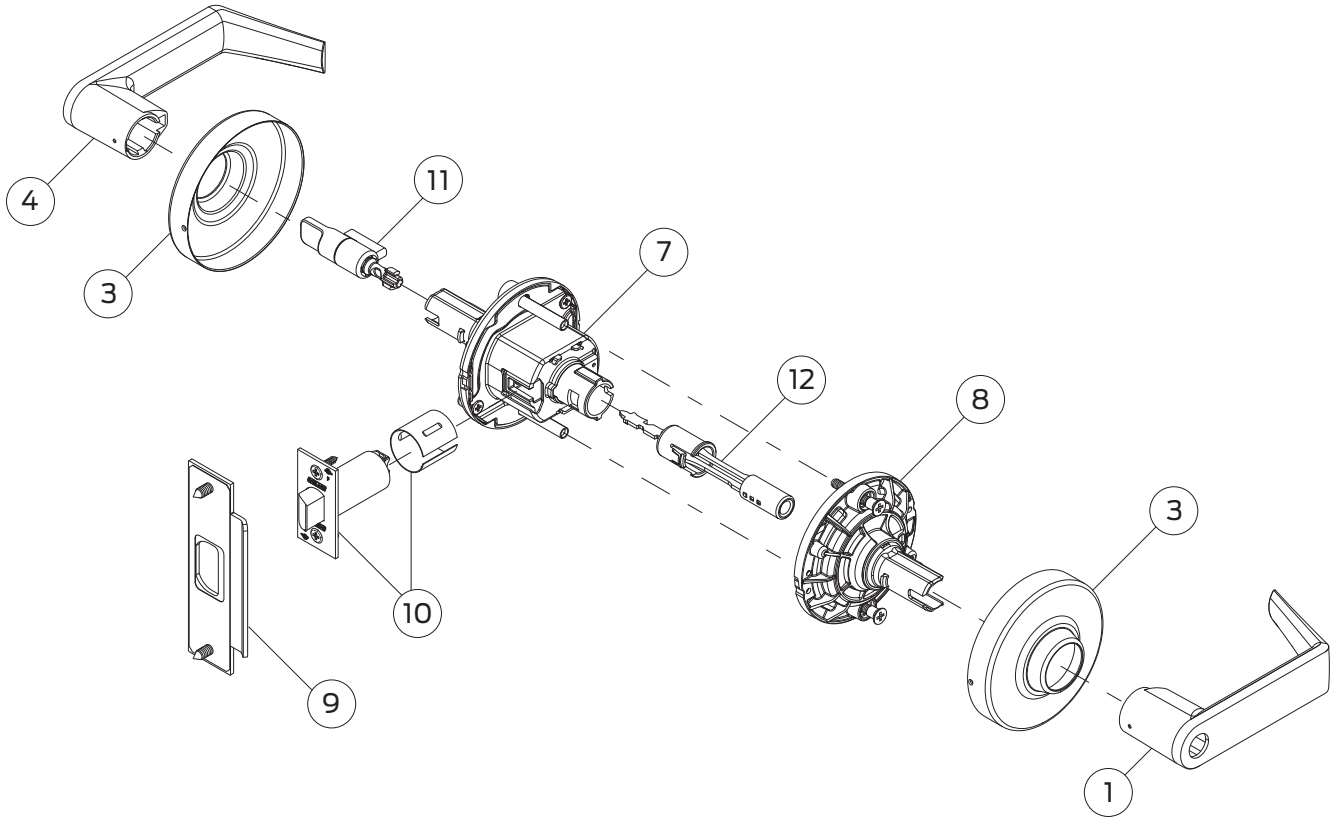
* Specify finish.

Note: Rhodes lever part number shown. See **pages 20 - 21** for lever information and a list of lever part numbers.

Trim Assemblies

Hospital Privacy Lock Trim

ALX/ALXV44S



No.	Description	Part no.
1	Button lever	03-233-RHO*
3	Rose (2)	03-042-RHO*
4	Open/KIL lever	03-231-RHO*
7	Chassis assembly	47267022
8	Inside spring cage assembly with screws	47267025

No.	Description	Part no.
9	Strike assembly, ANSI standard, no box	10-025*
10	Spring latch assembly, 2 ³ / ₄ " backset (includes latch housing sleeve for 1" latch bore)	47273614*
11	Exterior emergency turn assembly	47267028*
12	Interior push button assembly	47267030*

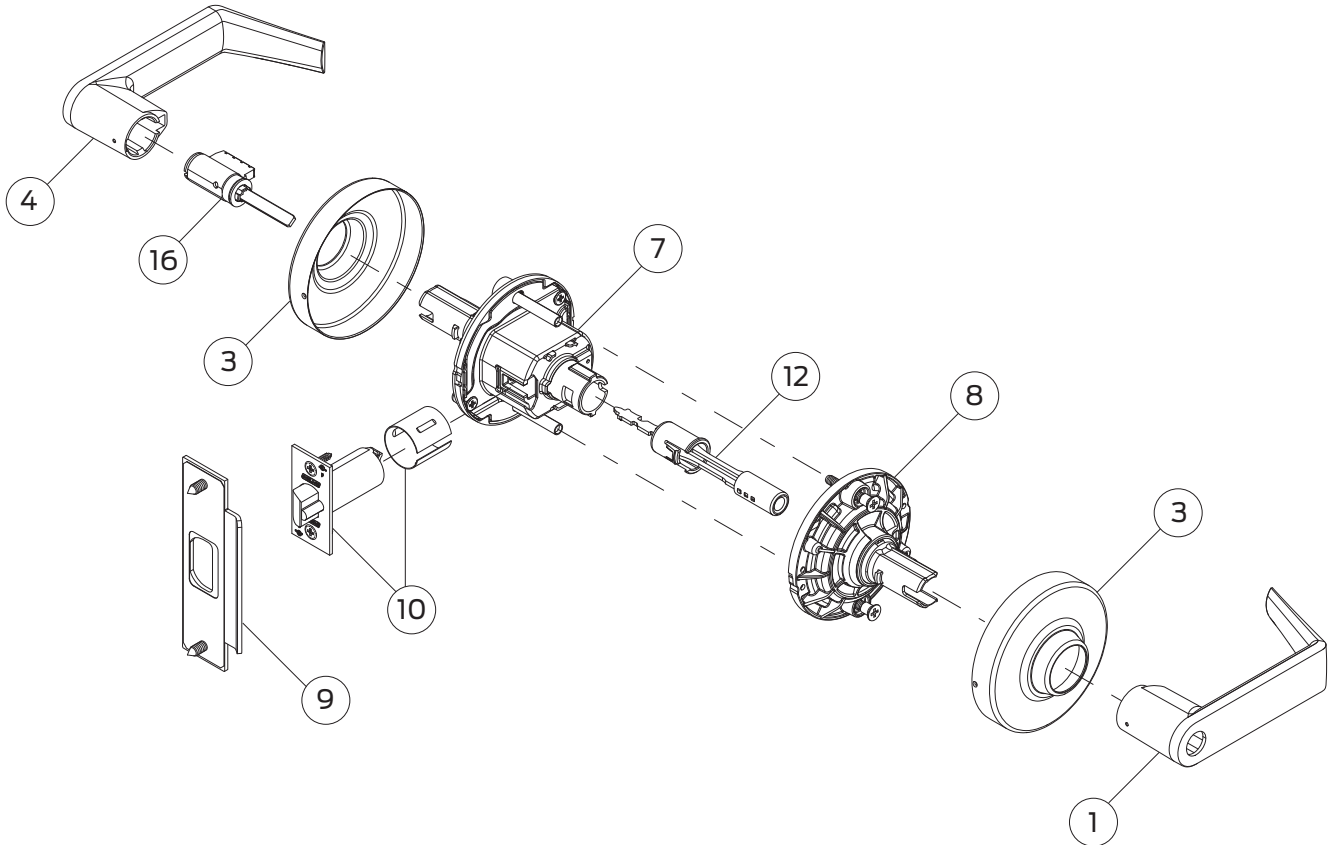
* Specify finish.

Note: Rhodes lever part number shown. See **pages 20 - 21** for lever information and a list of lever part numbers.

Trim Assemblies

Entrance/Office Lock Trim

ALX/ALXV50PD



No.	Description	Part no.
1	Button lever	03-233-RHO*
3	Rose (2)	03-042-RHO*
4	Open/KIL lever	03-231-RHO*
7	Chassis assembly	47267022
8	Inside spring cage assembly with screws	47267025
9	Strike assembly, ANSI standard, no box	10-025*

No.	Description	Part no.
10	Dead latch assembly, 2 ³ / ₄ " backset (includes latch housing sleeve for 1" latch bore)	47273617*
12	Interior push button assembly	47267030*
16	Cylinder	21-020*

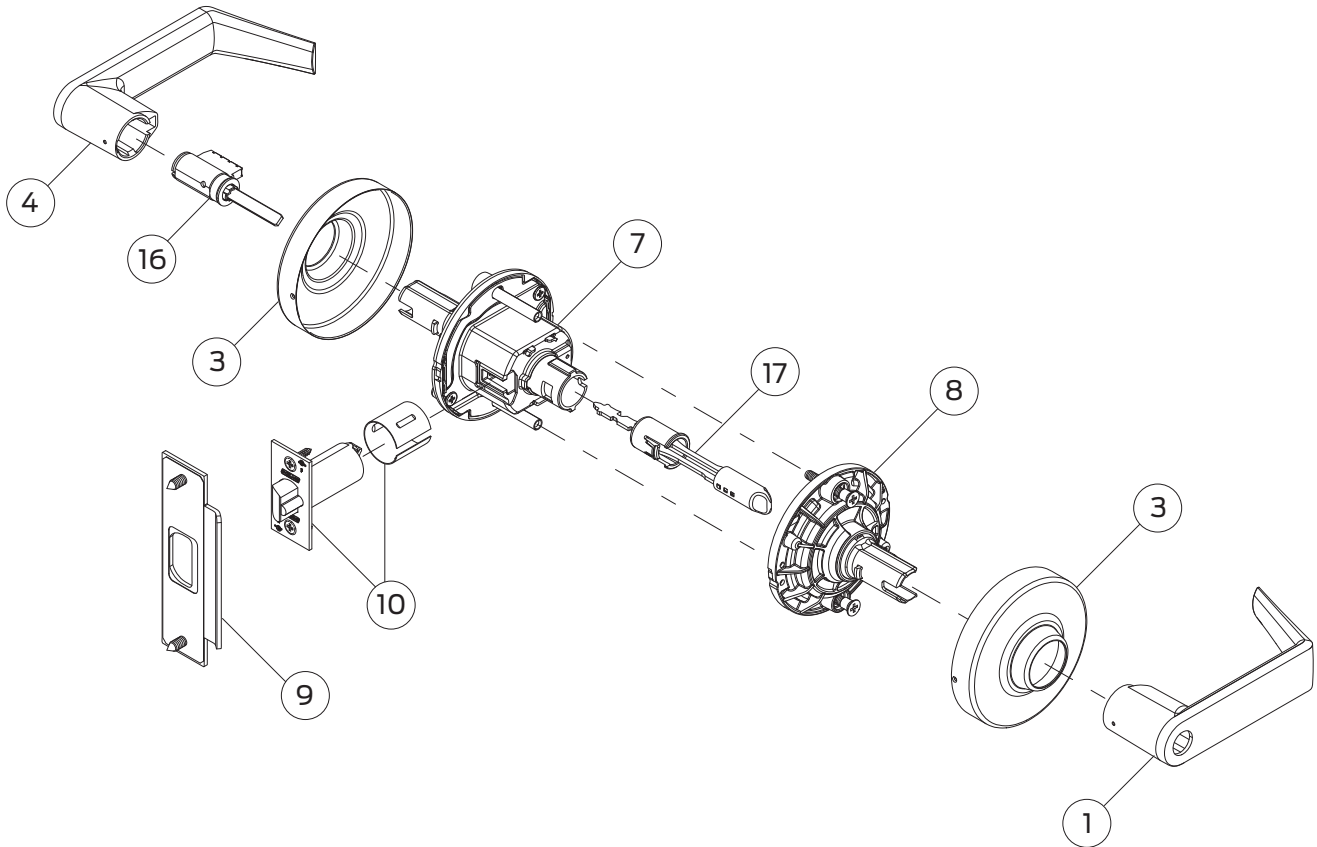
* Specify finish.

Note: Rhodes lever part number shown. See **pages 20 - 21** for lever information and a list of lever part numbers.

Trim Assemblies

Entrance Lock Trim

ALX/ALXV53PD



No.	Description	Part no.
1	Button lever	03-233-RHO*
3	Rose (2)	03-042-RHO*
4	Open/KIL lever	03-231-RHO*
7	Chassis assembly	47267022
8	Inside spring cage assembly with screws	47267025

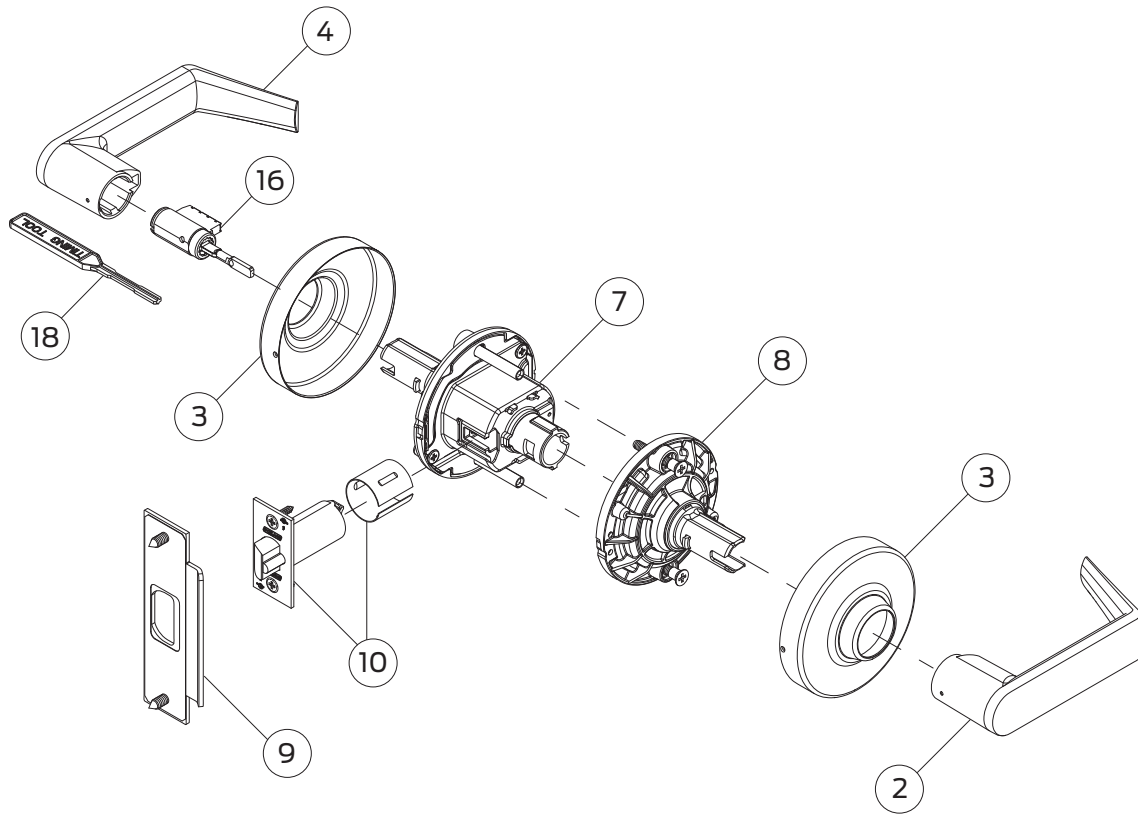
No.	Description	Part no.
9	Strike assembly, ANSI standard, no box	10-025*
10	Dead latch assembly, 2 ³ / ₄ " backset (includes latch housing sleeve for 1" latch bore)	47273617*
16	Cylinder	21-020*
17	Interior push-turn button assembly	47267031*

* Specify finish.

Note: Rhodes lever part number shown. See **pages 20 - 21** for lever information and a list of lever part numbers.

Classroom Lock Trim

ALX/ALXV70PD



No.	Description	Part no.
2	Closed lever	03-230-RHO*
3	Rose (2)	03-042-RHO*
4	Open/KIL lever	03-231-RHO*
7	Chassis assembly	47267022
8	Inside spring cage assembly with screws	47267025

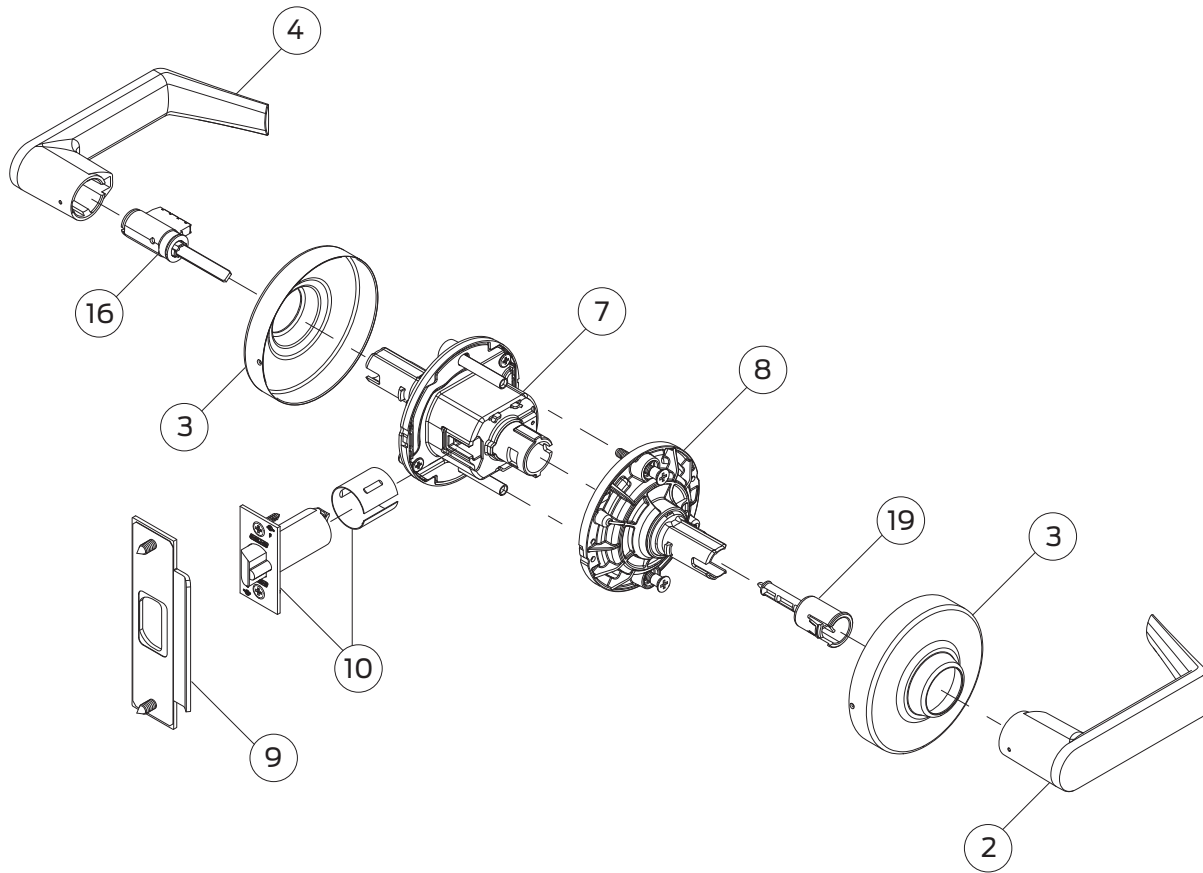
No.	Description	Part no.
9	Strike assembly, ANSI standard, no box	10-025*
10	Dead latch assembly, 2 ³ / ₄ " backset (includes latch housing sleeve for 1" latch bore)	47273617*
16	Cylinder	23-195*
18	Timing tool	47272158

* Specify finish.

Note: Rhodes lever part number shown. See **pages 20 - 21** for lever information and a list of lever part numbers.

Storeroom Lock Trim

ALX/ALXV80PD



No.	Description	Part no.
2	Closed lever	03-230-RHO*
3	Rose (2)	03-042-RHO*
4	Open/KIL lever	03-231-RHO*
7	Chassis assembly	47267022
8	Inside spring cage assembly with screws	47267025

No.	Description	Part no.
9	Strike assembly, ANSI standard, no box	10-025*
10	Dead latch assembly, 2 ³ / ₄ " backset (includes latch housing sleeve for 1" latch bore)	47273617*
16	Cylinder	21-020*
19	Fixed plunger	47266454

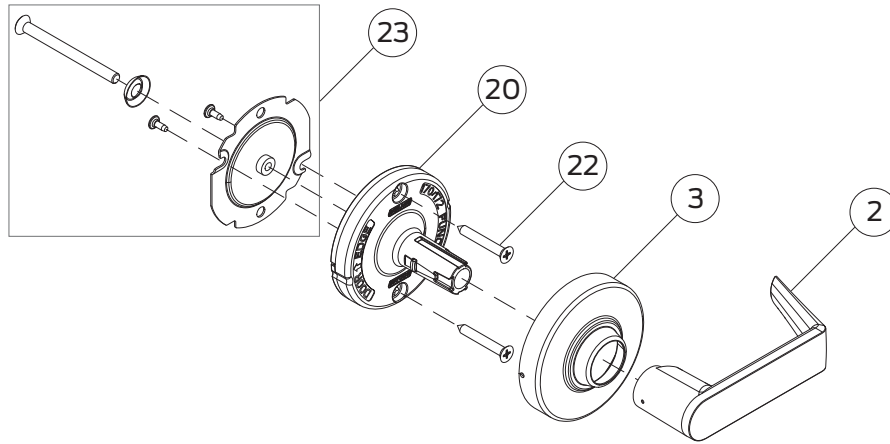
* Specify finish.

Note: Rhodes lever part number shown. See **pages 20 - 21** for lever information and a list of lever part numbers.

Trim Assemblies

Single Dummy Trim

ALX170



No.	Description	Part no.
2	Closed lever	03-230-RHO*
3	Rose	03-042-RHO*
20	Chassis assembly, ALX170 exterior dummy	47268754

No.	Description	Part no.
22	Mounting screw pack (2)	47269197
23	Through-door bolt kit, optional (626 finish only)	47262735**

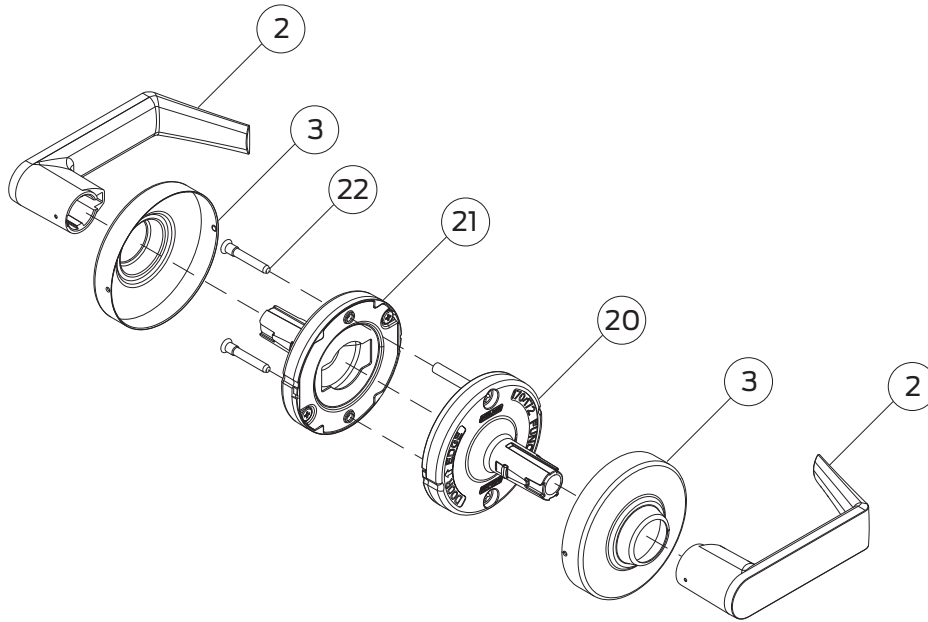
* Specify finish.

** Sold separately, not furnished with standard ALX170 lock.

Note: Rhodes lever part number shown. See **pages 20 - 21** for lever information and a list of lever part numbers.

Double Dummy Trim

ALX172



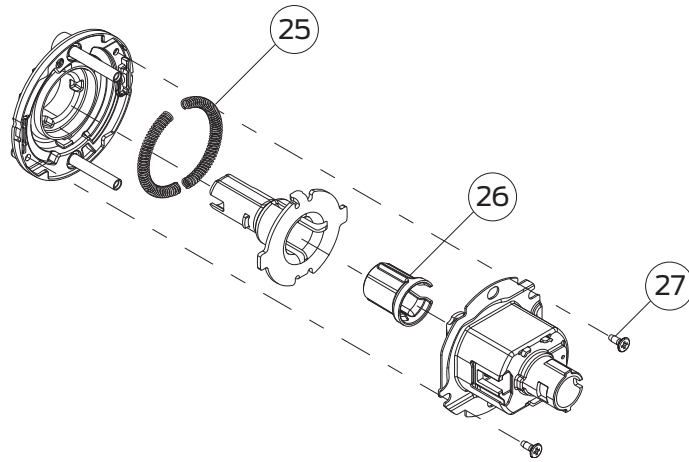
No.	Description	Part no.
2	Closed lever (2)	03-230-RHO*
3	Rose (2)	03-042-RHO*
20	Chassis assembly, ALX172 exterior dummy	47268755

No.	Description	Part no.
21	Chassis assembly, ALX172 interior dummy	47268756
22	Mounting screw pack (2)	47269198

* Specify finish.

Note: Rhodes lever part number shown. See **pages 20 - 21** for lever information and a list of lever part numbers.

Chassis Assembly



No.	Description	Part no.
25	Springs (2)	N523-068
26	Key cam sleeve	47266425

No.	Description	Part no.
27	Chassis-to-outside spring cage screw, #6-32, tri-point Phillips shoulder screw	47266669

Kit components

Kit components

For volume lock applications, configurable kits may be purchased. Chassis kits are paired with function kits and lever kits (sold in packages of five). See Schlage Commercial Price Book for complete details.

Chassis kit

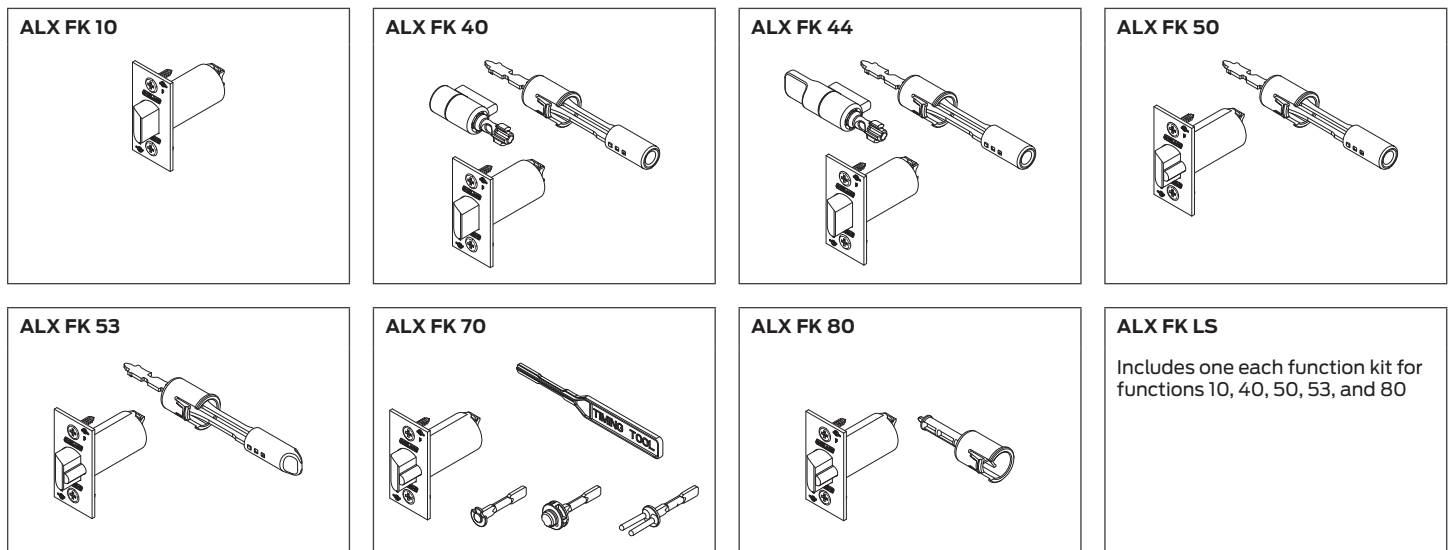
Each chassis kit includes one complete chassis assembly, one inside spring cage assembly, two roses (Rhodes design) and one ANSI strike assembly. Omega rose design is not available with the chassis kit. Order by **ALX CK**. Specify finish.

Function kit packs

Each function kit contains one latch assembly (spring latch or dead latch depending on function), and the necessary outside and inside components to create the specified function. Function kits are sold in packs of five.

Order by **ALX FK**. Specify function, finish, and backset.

Example: ALX40 privacy function, oil rubbed bronze finish, 2 $\frac{3}{8}$ " backset latch = ALX FK 40 613 238.



Kit no.	Function/Description	Quantity, contents
ALX FK 10	Passage function	5 each: spring latch
ALX FK 40	Privacy function	5 each: spring latch, outside coin turn, inside push button
ALX FK 44	Hospital privacy function	5 each: spring latch, outside emergency turn, inside push button
ALX FK 50	Entrance/office function	5 each: dead latch, inside push button
ALX FK 53	Entrance function	5 each: dead latch, inside push-turn button

Kit no.	Function/Description	Quantity, contents
ALX FK 70	Classroom function	5 each: dead latch, cylinder bar, FSIC tailpiece, SFIC tailpiece, timing tool
ALX FK 80	Storeroom function	5 each: dead latch, fixed plunger
ALX FK LS	One each 10, 40, 50, 53, and 80 function	3 each: dead latch 2 each: spring latch, inside push button 1 each: inside push-turn button, inside storeroom plunger, outside coin turn, outside emergency turn

Kit components

Lever kits

Sold in packages of five levers. Order by **SCH LP**. Specify core option, finish, and lever design.

Example: Schlage SFIC core, oil rubbed bronze finish, Latitude lever design = SCH LP SFIC 613 LAT.

Lever kit no.	Description/core	Outside lever functions	Inside lever functions	Lever designs
SCH LP CL	CL Closed	10, 170, 172	10, 70, 80, 172	Athens, Broadway, Boardwalk, Latitude, Longitude, Rhodes, Saturn, Sparta, Tubular
SCH LP BT	BT Button		40, 44, 50, 53	
SCH LP KIL	KIL Key in lever privacy turn cylinder	40, 44 50, 53, 70, 80		
SCH LP FSIC	FSIC Full size interchangeable core	50, 53, 70, 80		Athens, Broadway, Boardwalk, Latitude, Longitude, Rhodes, Sparta, Tubular
SCH LP SFIC	SFIC Small format interchangeable core	50, 53, 70, 80		
SCH LP L SAR	L SAR Sargent (less cylinder, to fit 10L and 11L 6-pin KIL)	50, 53, 70, 80		Athens, Rhodes, Sparta, Tubular
SCH LP L CO6	L CO6 Corbin Russwin (less cylinder, to fit Corbin 8000 6-pin KIL)	50, 53, 70, 80		
SCH LP J SAR	J SAR Sargent (less cylinder, to fit 6300 6-pin FSIC)	50, 53, 70, 80		
SCH LP J CO6	J CO6 Corbin Russwin (less cylinder, to fit Corbin 8000 6-pin FSIC)	50, 53, 70, 80		
SCH LP J CO7	J CO7 Corbin Russwin (less cylinder, to fit Corbin 8000 7-pin FSIC)	50, 53, 70, 80		Rhodes

Cylinder kits

Kit no.	Description
40-100	Everest, Everest 29, Classic, 1 0-bitted KIL cylinder, 4 tailpieces, 2 key blanks
40-700/XP	Primus/XP, 1 0-bitted KIL cylinder, 4 tailpieces
40-500/XP	1 0-bitted KIL cylinder, 4 tailpieces
09-409	Classic bulk kit, components for 10 KIL cylinders
09-751	Everest, Everest 29 bulk pack, components for 10 KIL cylinders
09-764	Primus/XP–Everest 29 bulk kit components for 10 KIL cylinders
09-833	Primus/XP–Classic 29 bulk kit components for 10 KIL cylinders

Kit no.	Description
09-411	Classic bulk pack, components for 10 FSIC cylinders
09-753	Everest, Everest 29 bulk kit, components for 10 FSIC cylinders
09-766	Primus/XP, Everest 29 bulk kit, components for 10 FSIC cylinders
09-836	Primus/XP, Classic bulk kit, components for 10 FSIC cylinders
09-416	Classic, Everest 29, Primus bulk kit, 10 A700-031 tailpieces

Levers

Levers

Levers are pressure cast zinc, plated to match finish specification. All levers are ADA Accessibility compliant. Boardwalk, Longitude, Omega, Rhodes, Saturn, Sparta, and Tubular lever designs meet California code for 1/2" or less return to the door. Closed levers shown.

Athens ATH

Available with cores: KIL, FSIC, SFIC, L SAR, L CO6, J SAR, J CO6

Boardwalk BRK

Available with cores: KIL, FSIC, SFIC

Broadway BRW

Available with cores: KIL, FSIC, SFIC

Latitude LAT

Available with cores: KIL, FSIC, SFIC

Longitude LON

Available with cores: KIL, FSIC, SFIC

Omega OME

Available with cores: KIL, FSIC, SFIC

Rhodes RHO

Available with cores: KIL, FSIC, SFIC, L SAR, L CO6, J SAR, J CO6, J CO7

Saturn SAT

Available with core: KIL

Sparta SPA

Available with cores: KIL, FSIC, SFIC, L SAR, L CO6, J SAR, J CO6

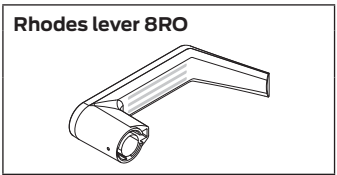
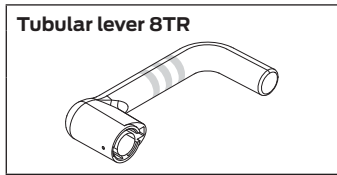
Tubular TLR

Available with cores: KIL, FSIC, SFIC, L SAR, L CO6, J SAR, J CO6

Tactile warning levers

Tactile warning feature is available as milled surface on Athens, Latitude, Longitude, Rhodes, and Sparta designs, or as knurled surface on Boardwalk, Broadway, and Tubular designs. Applied to outside lever only unless otherwise specified.

Order by tactile lever codes:
Athens **8AT**, Boardwalk **8BK**, Broadway **8BY**,
Latitude **8LT**, Longitude **8LN**, Rhodes **8RO**,
Sparta **8SP**, Tubular **8TR**



Levers

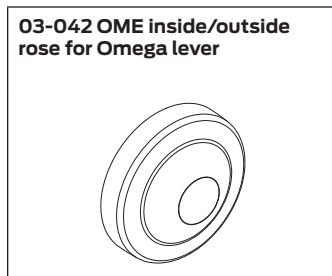
Lever type/design	Configured lock no.	Sold separate no.	
Closed– CL	Saturn	SAT	47260493
	Athens	ATH	03-230-ATH
	Rhodes	RHO	03-230-RHO
	Sparta	SPA	03-230-SPA
	Omega	OME	03-230-OME
	Tubular	TLR	03-230-TLR
	Broadway	BRW	47258043
	Boardwalk	BRK	47258044
	Latitude	LAT	47258045
	Longitude	LON	47258046
	Athens, tactile	8AT	03-230 8AT
	Rhodes, tactile	8RO	03-230 8RO
	Sparta, tactile	8SP	03-230 8SP
	Tubular, tactile	8TR	03-230 8TR
	Broadway, tactile	8BY	47260541
	Boardwalk, tactile	8BK	47260542
	Latitude, tactile	8LT	47260543
	Longitude, tactile	8LN	47260544
Button– BT	Saturn	SAT	47260501
	Athens	ATH	03-233 ATH
	Rhodes	RHO	03-233 RHO
	Sparta	SPA	03-233 SPA
	Omega	OME	03-233 OME
	Tubular	TLR	03-233 TLR
	Broadway	BRW	47258055
	Boardwalk	BRK	47258056
	Latitude	LAT	47258057
	Longitude	LON	47258058
	Athens, tactile	8AT	03-233 8AT
	Rhodes, tactile	8RO	03-233 8RO
	Sparta, tactile	8SP	03-233 8SP
	Tubular, tactile	8TR	03-233 8TR
	Broadway, tactile	8BY	47260553
	Boardwalk, tactile	8BK	47260554
	Latitude, tactile	8LT	47260555
	Longitude, tactile	8LN	47260556
KIL/Open– P, Z, L	Saturn	SAT	47262743
	Athens	ATH	03-231-ATH
	Rhodes	RHO	03-231-RHO
	Sparta	SPA	03-231-SPA
	Omega	OME	03-231-OME
	Tubular	TLR	03-231-TLR
	Broadway	BRW	47258047
	Boardwalk	BRK	47258048
	Latitude	LAT	47258049
	Longitude	LON	47258050
	Athens, tactile	8AT	03-231 8AT
	Rhodes, tactile	8RO	03-231 8RO
	Sparta, tactile	8SP	03-231 8SP
	Tubular, tactile	8TR	03-231 8TR
	Broadway, tactile	8BY	47260545
	Boardwalk, tactile	8BK	47260546
	Latitude, tactile	8LT	47260547
	Longitude, tactile	8LN	47260548

Lever type/ design	Configured lock no.	Sold separate no.	
FSIC– R, J, T, M	Athens	ATH	03-232 ATH
	Rhodes	RHO	03-232 RHO
	Sparta	SPA	03-232 SPA
	Omega	OME	03-232 OME
	Tubular	TLR	03-232 TLR
	Broadway	BRW	47258051
	Boardwalk	BRK	47258052
	Latitude	LAT	47258053
	Longitude	LON	47258054
	Athens, tactile	8AT	03-232 8AT
	Rhodes, tactile	8RO	03-232 8RO
	Sparta, tactile	8SP	03-232 8SP
	Tubular, tactile	8TR	03-232 8TR
	Broadway, tactile	8BY	47260549
	Boardwalk, tactile	8BK	47260550
	Latitude, tactile	8LT	47260551
	Longitude, tactile	8LN	47260552
	SFIC– BDC, B, G, H	Athens	ATH
Rhodes		RHO	03-200 RHO
Sparta		SPA	03-200 SPA
Omega		OME	03-200 OME
Tubular		TLR	03-200 TLR
Broadway		BRW	47258039
Boardwalk		BRK	47258040
Latitude		LAT	47258041
Longitude		LON	47258042
Athens, tactile		8AT	03-200 8AT
Rhodes, tactile		8RO	03-200 8RO
Sparta, tactile		8SP	03-200 8SP
Tubular, tactile		8TR	03-200 8TR
Broadway, tactile		8BY	47260537
Boardwalk, tactile		8BK	47260538
Latitude, tactile		8LT	47260539
Longitude, tactile		8LN	47260540

Roses

Roses

Roses are wrought brass, bronze, or zinc, plated to match finish specification. Standard rose diameter 3⁷/₁₆".



Specify finish.

Strikes

47267101, ANSI Prep. A115.2, standard, includes retained screws

Size: 1¹/₄" x 4⁷/₈" x 3³/₃₂"

Lip length: 1³/₁₆"

If required, K510-066 strike box must be ordered separately.

Available in 605, 606, 612, 613, 619, 625, 626 finishes

10-013, Square corner T-strike, includes screw pack

Size: 1¹/₈" x 2 x 3³/₃₂" (or 1¹/₂" x 2³/₄" x 3³/₃₂")

Lip length: 1¹/₈", 1¹/₂"

Includes strike box C603-623.

Available in 605, 606, 612, 613, 619, 625, 626 finishes

10-025, ANSI Prep. A115.2, includes screw pack

Size: 1¹/₄" x 4⁷/₈" x 3³/₃₂"

Lip length: 1³/₁₆", 1³/₈", 1¹/₂"

If required, K510-066 strike box must be ordered separately.

Available in 605, 606, 612, 613, 619, 625, 626 finishes

10-016, Square corner fire door T-strike, includes screw pack

Size: 1¹/₈" x 2³/₄" x 3³/₃₂"

Lip length: 1¹/₈", 1¹/₂"

Includes deep strike box B502-853 for 3⁴/₄" fire latch.

Available in 605, 606, 612, 613, 619, 625, 626 finishes

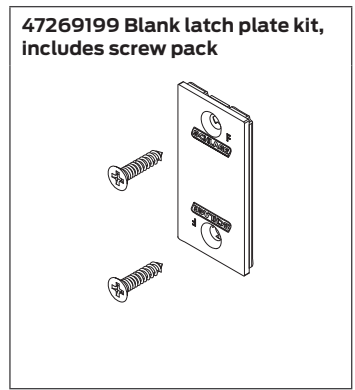
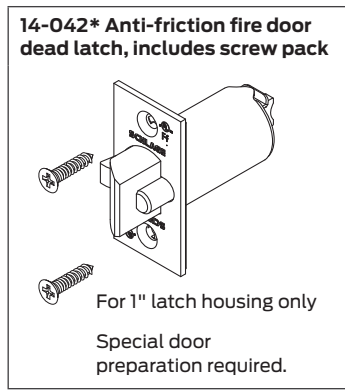
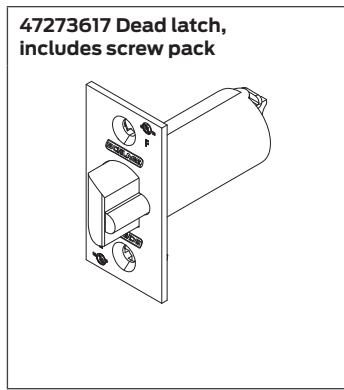
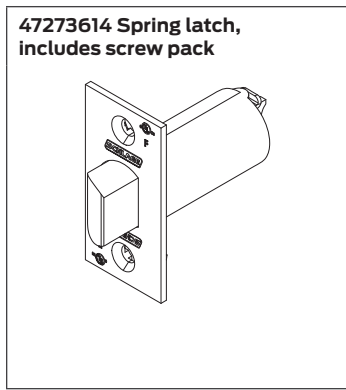
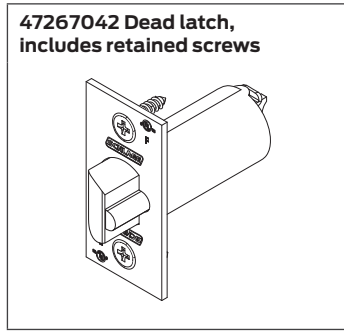
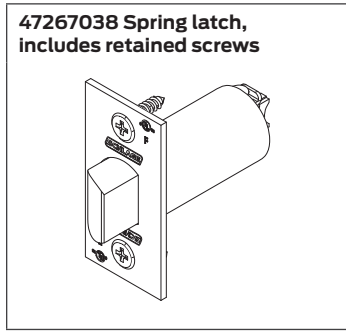
K510-066, ANSI Plastic strike box

Size: 1⁷/₃₂" x 4¹³/₁₆" x 1⁵/₁₆"

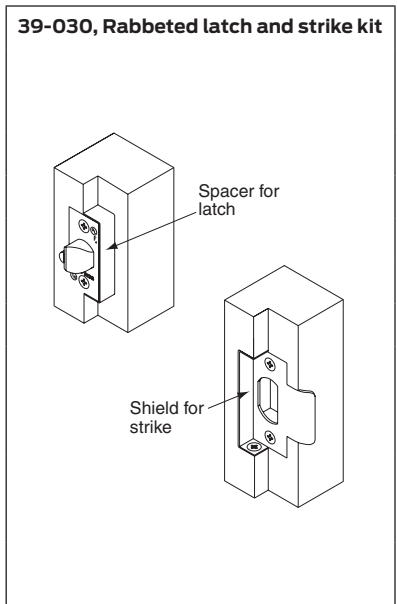
Latches

Latches

ALX Series latches will accommodate 1" or 7/8" bore hole diameter unless otherwise stated.



Backset	Description	Spring latch part no.		Dead latch part no.	
		Configured lock no.	Sold separate no.	Configured lock no.	Sold separate no.
2 3/8"	Square corner, 1 1/8" x 2 1/4"	47267046	47273620	47267051	47273623
	Square corner, 1" x 2 1/4"	47267048	47273621	47267052	47273624
	Round corner, 1" x 2 1/4"	47267050	47273622	47267054	47273625
2 3/4"	Square corner, 1 1/8" x 2 1/4", standard	47267038	47273614	47267042	47273617
	Round corner, 1" x 2 1/4"	47267041	47273616	47267045	47273619
	Square corner, 1" x 2 1/4"	47267039	47273615	47267043	47273618
2 3/4"	Square corner, 1 1/8" x 2 1/4", 1" housing diameter only (based on 13-248)	47272024		13-247	
2 3/4"	Anti-friction fire door latch, square corner, 1 1/8" x 2 1/4", 3/4" throw, 1" housing diameter only	—		14-042*	
3 3/4"	Square corner, 1 1/8" x 2 1/4", 1" housing diameter only	14-010**		14-028	



* Used for pairs of fire-rated doors.
** Non-restoring spring latch

Cylinder Options

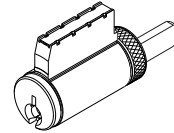
Cylinder Options

Standard Cylinders

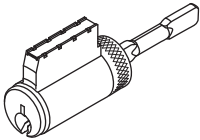
Specify keyway. Standard cylinders are available in Classic keyway or Everest SL keyway.

Cylinder Mechanism	Functions	Complete Cylinder	Tailpiece
Conventional, 6-pin, standard	50, 53, 80	21-020	A700-031
	70	23-195	47270197
SL Conventional, 7-pin	50, 53, 80	91-018	N523-022
	70	91-118	47270197

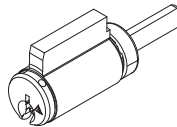
21-020, Conventional, 50, 53, 80 functions



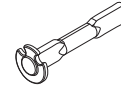
23-195, Conventional, 70 function



91-018, SL Conventional, 50, 53, 80 functions



47270197, Conventional, 70 function

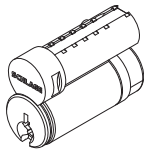


FSIC and SFIC Cylinders

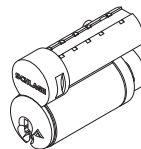
FSIC and SFIC cylinders are not available with Saturn lever design.

Cylinder Mechanism	Functions	Complete Cylinder	Tailpiece
FSIC, Conventional, 6-pin	50, 53, 80	23-030	N523-127
	70		47269168
FSIC, SL Conventional, 7-pin	50, 53, 80	91-161	N523-127
	70		47269168
SFIC 7-pin	50, 53, 80	80-037	N523-091
	70		47269620

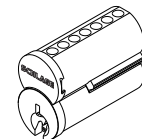
23-030, FSIC 6-pin



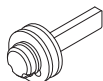
91-161, FSIC 7-pin



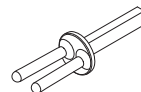
80-037, SFIC 7-pin



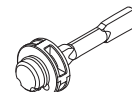
N523-127, FSIC, 50, 53, 80 functions



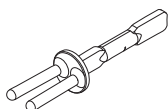
N523-091, SFIC, 50, 53, 80 functions



47269168, FSIC, 70 function



47269620, SFIC, 70 function



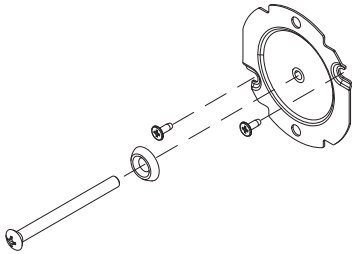
Fasteners

Fasteners

Screws and screw packs

Part no.	Description	Type	Size
47262735	ALX170, through bolt kit Kit includes 1 each: dummy plate, 1/4" washer, 1/4-20 x 3" through bolt, and 2 each: #6-32 tri-point mounting screws		(See kit description)
47262999	ALX170, surface mounting screw	PFH combo	#12-24 x 1 1/2"
C603-256*	ANSI strike screw	PFH combo	#12-24 X 1"
C603-897*	Latch and strike screw	PFH combo	#8-32 X 3/4"
47266670	Chassis through bolt; ALX172 through bolt	PFH machine with thread patch	#10-32 x 1 3/8"
47266669	Chassis-to-outside spring cage screw; ALX170 plate mounting screw	Tri-point Phillips shoulder screw	#6-32

47262735, ALX170 through bolt kit



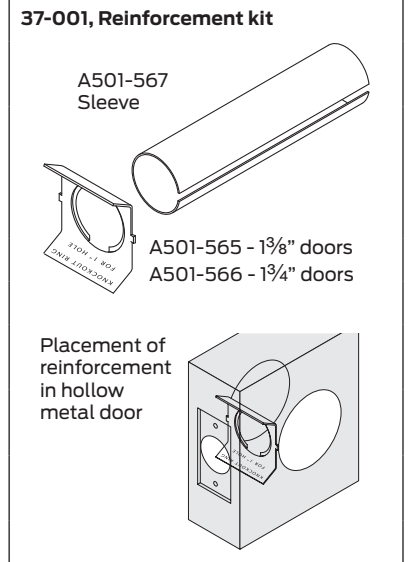
* Specify finish.

Screw packs, Torx®

Part no.	Description	Contents
C203-311	Latch and strike (includes tool)	(4) C503-766 (T-15)
C203-312	Latch and ANSI strike (includes tool)	(2) C503-766 (T-15) (2) L583-371 (T-20)

Reinforcements and adapters

Part no.	Description
43-005	5" backset extension link for use with 2 $\frac{3}{4}$ " backset latches only; requires reinforcement when used with hollow metal door
37-001	Steel door reinforcement kit, fits both $\frac{7}{8}$ " and 1" housing diameter. Used to reinforce and prevent the collapse of hollow metal doors when locksets are mounted. This kit should be used in hollow metal doors to prevent lateral movement of the latch bolt. Kit includes reinforcement (A501-565 or A501-566), and sleeve (A501-567). Sleeve is included for long backset installations. Specify door thickness.
A501-565	1 $\frac{3}{8}$ " thick hollow steel door reinforcement. Fits both $\frac{7}{8}$ " and 1" housing diameter.
A501-566	1 $\frac{3}{4}$ " thick hollow steel door reinforcement. Fits both $\frac{7}{8}$ " and 1" housing diameter.
A501-567	3 $\frac{1}{2}$ " long latch housing reinforcement sleeve. Used to reinforce joint between latch and backset link, or to hold latch in hollow metal doors.
39-030	Rabbeted latch and strike kit (605 and 626 finish only). Use to adapt square corner latch and 2 $\frac{3}{4}$ " high square corner strike to $\frac{1}{2}$ " rabbeted door and frame preparation.
24483760	1 $\frac{3}{4}$ " thick hollow steel/aluminum door reinforcement fits 1" housing diameter. For use in unreinforced hollow metal doors.
47269199	Blank latch plate kit. Specify finish.



Finishes

Finishes

Schlage ALX Series lock products are available in a range of durable, top-quality finishes. Most are available with a clear coating that protects against damaging environmental factors, including sea air, high humidity, or corrosive vapors.

The antimicrobial coating on Schlage ALX Series locks works to protect the hardware's surface by inhibiting the growth of bacteria, mold, and mildew. The coating is made using ionic silver (AG+), a single atom that is missing one orbital electron that interacts with the bonding sites on the microbe surface. The result is that silver ions surround bacterial cells, blocking food and respiration supply, and slowing bacterial growth.

Finishes are coded according to the Builders Hardware Manufacturers Association (BHMA). The nearest old U.S. equivalent code designations are shown in parentheses.

Code		Description
605	(US 3)	Bright brass
606	(US 4)	Satin brass
612	(US 10)	Satin bronze
613	(US 10B)	Oil rubbed bronze
619	(US 15)	Satin nickel

Code		Description
622	(US 19)	Matte black
625	(US 26)	Bright chromium plated
626	(US 26D)	Satin chromium plated
626AM		Antimicrobial coating on satin chromium
643e	(US 11)	Aged bronze

Ordering procedures

Ordering procedures

To order Schlage products, descriptive data should be in the same sequence as shown below.

Shaded items default to factory standard if not specified.

Line item	Qty	Brand	Product number			Outside trim		Inside trim		Latch	Strike	Dr Thk	Ext	Keyway	Hand	Other
			Series	Func	Cyl	Des	Fin	Des	Fin							
1	2	3	4	5	6	7	8	7	8	9	10	11	12	13	14	15

1	Line Item:	Line item number
2	Qty:	Quantity
3	Brand:	Product brand (Schlage = SCH)
4	Series:	Product series
5	Function:	Lock function
6	Cyl:	Cylinder suffix
7	Outside Des:	Outside lever design
8	Outside Fin:	Outside lever finish
7	Inside Des:	Inside lever design
8	Inside Fin:	Inside lever finish
9	Latch:	Latch part number
10	Strike:	Strike part number
11	Dr Thk:	Door thickness dimension (not applicable for ALX locks)
12	Ext:	Extension (not applicable for ALX locks)
13	Keyway:	Cylinder keyway
14	Hand:	Door handing (not applicable for ALX locks)
15	Other:	Other specifications, for example: competitive keyway cylinder, master keying requirements, etc.

Example: Quantity 10, ALX53 locks with conventional 6-pin cylinder, Saturn lever design, satin bronze (612) finish, standard latch and strike.

Line item	Qty	Brand	Product number			Outside trim		Inside trim		Latch	Strike	Dr Thk	Ext	Keyway	Hand	Other
			Series	Func	Cyl	Des	Fin	Des	Fin							
1	10	SCH	ALX	53	P	SAT	612									

Installation instructions and templates

For installation of pre-configured and kit locks, use the following links to find digital and downloadable PDF instructions, and door preparation templates.

[ALX standard lock installation instructions](#)

[ALX dummy lock installation instructions](#)

[ALX door preparation templates](#)

About Allegion

Allegion (NYSE: ALLE) creates peace of mind by pioneering safety and security. As a \$2 billion provider of security solutions for homes and businesses, Allegion employs more than 7,800 people and sells products in more than 120 countries across the world. Allegion comprises 23 global brands, including strategic brands CISA®, Interflex®, LCN®, Schlage® and Von Duprin®.

For more, visit www.allegion.com.

aptiQ ■ LCN ■ **SCHLAGE** ■ STEELCRAFT ■ VON DUPRIN