



D-Series

Service manual

This manual contains a complete listing of parts and assemblies of "D" series locks manufactured by Schlage Lock Company, beginning in 1940. These locks are identified with the symbol MD40 stamped on the lock housing. Exploded views of each lock function are provided with an accompanying dot chart to identify parts for replacement purposes.

In addition, this manual provides lock trim ordering procedures, cylinders, latches and strikes, and all auxiliary components of "D" series MD40 locks. Orders for finished components should always show the finish designation. Orders for all Schlage products must be placed through a registered Schlage dealer or representative.

Schlage "D" series lock parts are manufactured to extremely close tolerances and are interchangeable between functions using the same parts. Conversion of functions is accomplished by identifying the parts necessary for substitution and following the assembly procedures as illustrated on the lock drawings.

For items not listed in this technical manual, contact the Schlage General Offices for availability or allowable substitutions.

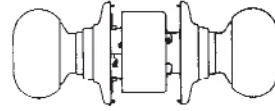
The Schlage Lock Company reserves the right to make changes in designs and specifications or to make additions or improvements on its products previously manufactured. The Schlage Lock Company is not responsible for any modification, addition, or alteration to our products by others.

Index

Function Assemblies	Description	Page
D10S	Passage latch	1
D12D - Discontinued	Exit lock	2
D12DEL - Discontinued	Electrically locked	3
D12DEU - Discontinued	Electrically unlocked	4
D25D	Exit lock	5
D30D	Patio lock	6
D40S	Bath/Bedroom privacy	7
D44S	Hospital privacy lock	8
D53PD	Entrance lock	9
D55PD - Discontinued	Service station lock	10
D60PD	Vestibule lock	11
D66PD	Store lock	12
D70PD	Classroom lock	13
D72PD	Communicating lock	14
D73PD	Corridor lock	15
D76PD	Classroom hold-back lock	16
D80PD	Storeroom lock	17
D80PDEL	Electrically locked	18
D80PDEU	Electrically unlocked	19
D82PD	Institution lock	20
D85PD	Hotel/Motel lock	21
D170	Dummy trim	22
Parts index	Dot charts	23-25
Replacement parts		26
Cylinder units & parts		27
Latches & strikes		28
Electrified locks		29
Interchangeable core		30-31
Designs		32
Finishes, lubrication & tactile warning		33
Installation tools, backset links, door reinforcements		34
Installation instructions		35-37
Keys, key array chart, key gauge, cylinder loading tool		38

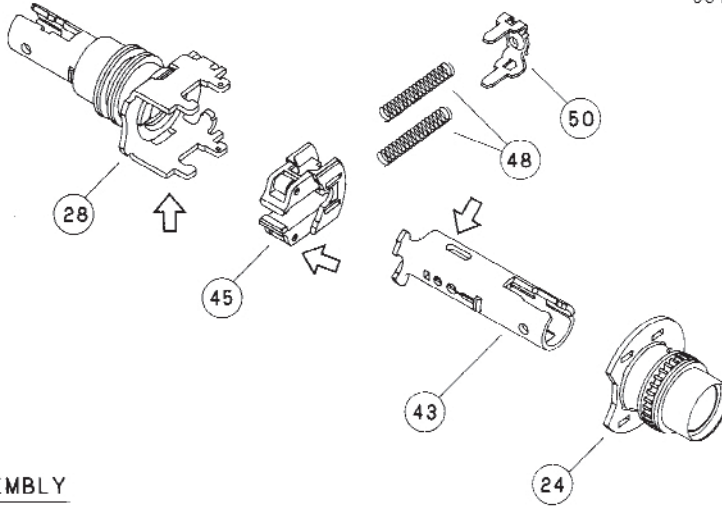
D12D - DISCONTINUED

CHASSIS ASSEMBLY

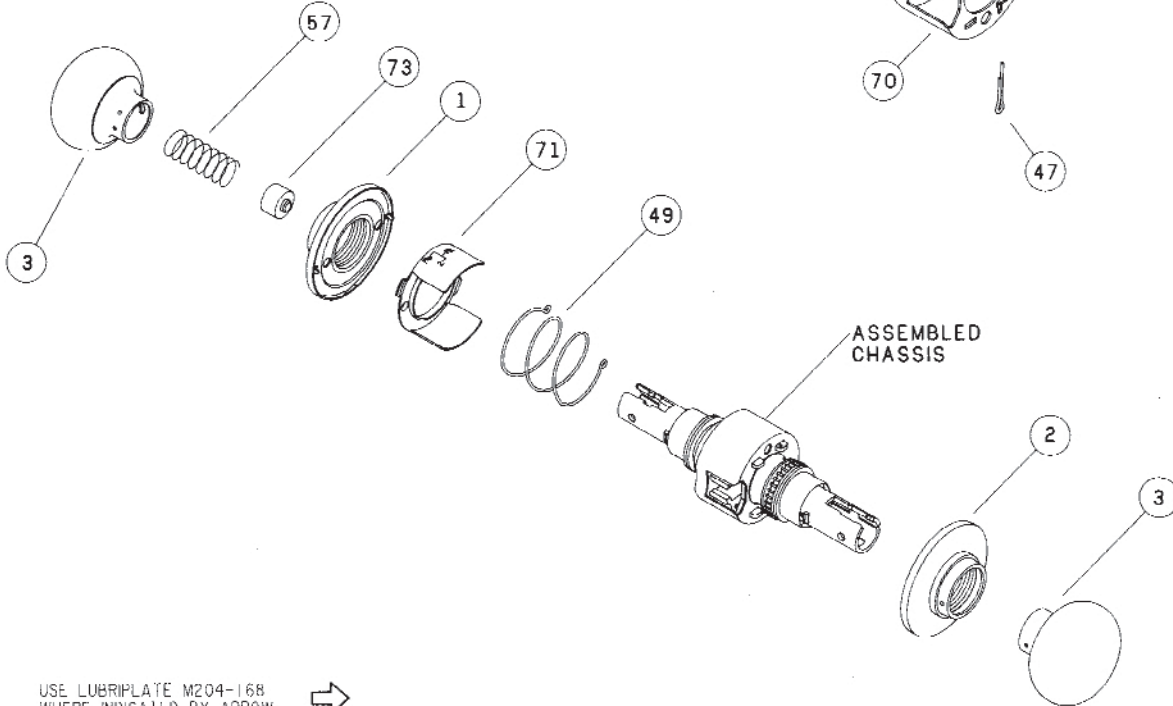


EXIT LOCK

UNLOCKED BY KNOB INSIDE ONLY.
OUTSIDE KNOB ALWAYS FIXED.



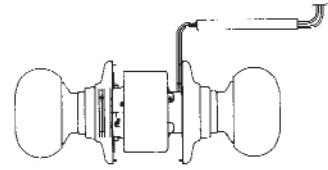
TRIM ASSEMBLY



USE LUBRIPLATE M204-168
WHERE INDICATED BY ARROW

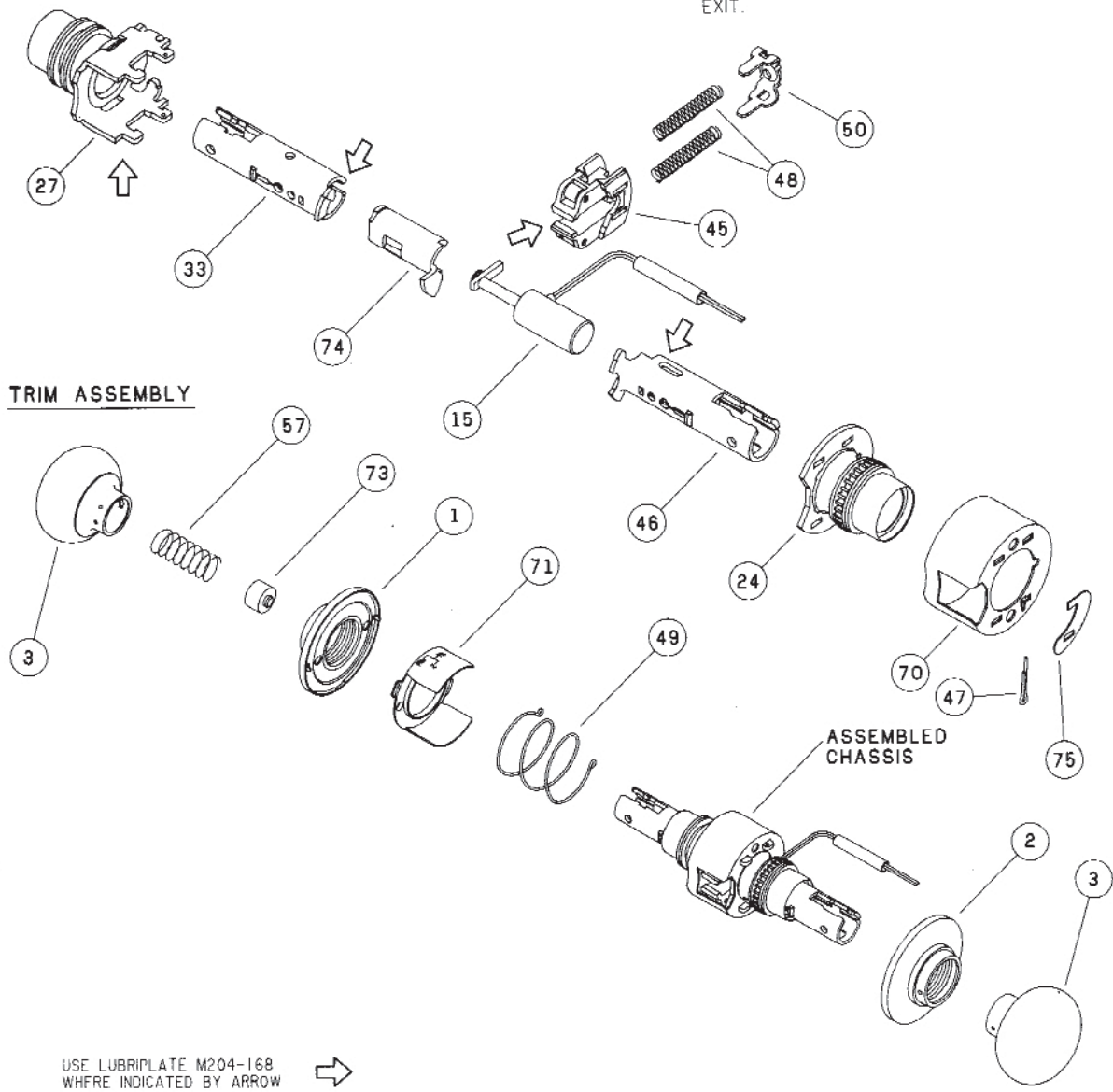


D12DEL - DISCONTINUED



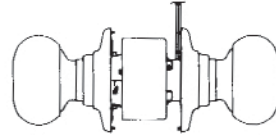
CHASSIS ASSEMBLY

ELECTRICALLY LOCKED
 AUXILIARY LATCH DEADLOCKS LATCHBOLT
 WHEN DOOR IS CLOSED. OUTSIDE KNOB
 CONTINUOUSLY LOCKED ELECTRICALLY UNTIL
 UNLOCKED BY SWITCH OR POWER FAILURE.
 INSIDE KNOB ALWAYS FREE FOR IMMEDIATE
 EXIT.



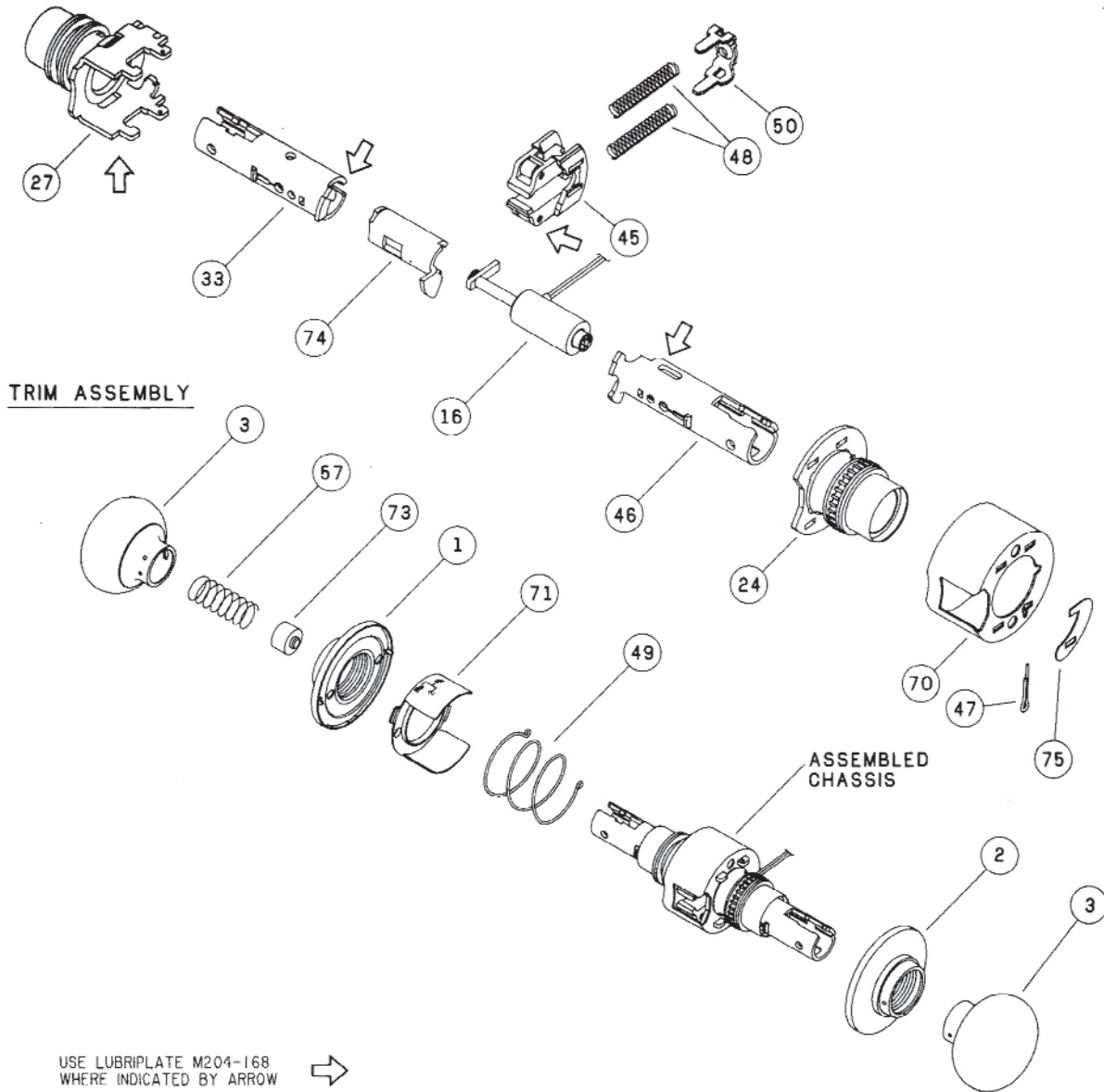
USE LUBRIPLATE M204-168
 WHERE INDICATED BY ARROW →

D12DEU - DISCONTINUED



CHASSIS ASSEMBLY

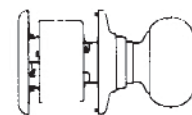
ELECTRICALLY UNLOCKED
AUXILIARY LATCH DEADLOCKS LATCHBOLT
WHEN DOOR IS CLOSED. OUTSIDE KNOB
CONTINUOUSLY LOCKED UNTIL UNLOCKED
BY ELECTRIC CURRENT. INSIDE KNOB
ALWAYS FREE FOR IMMEDIATE EXIT.



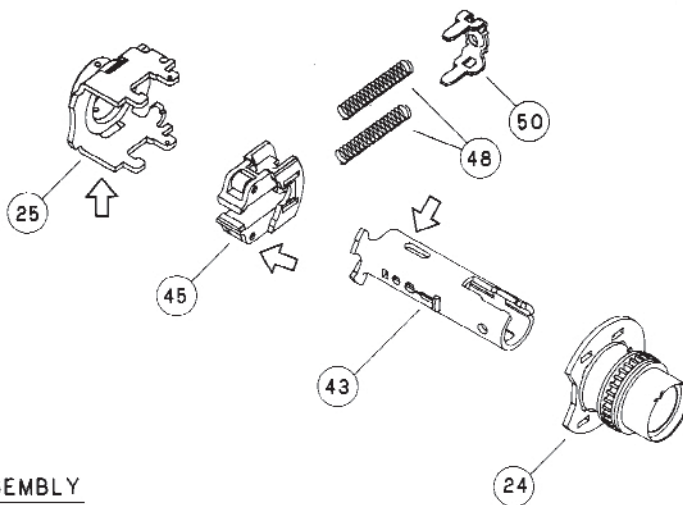
USE LUBRIPLATE M204-168
WHERE INDICATED BY ARROW

D25D

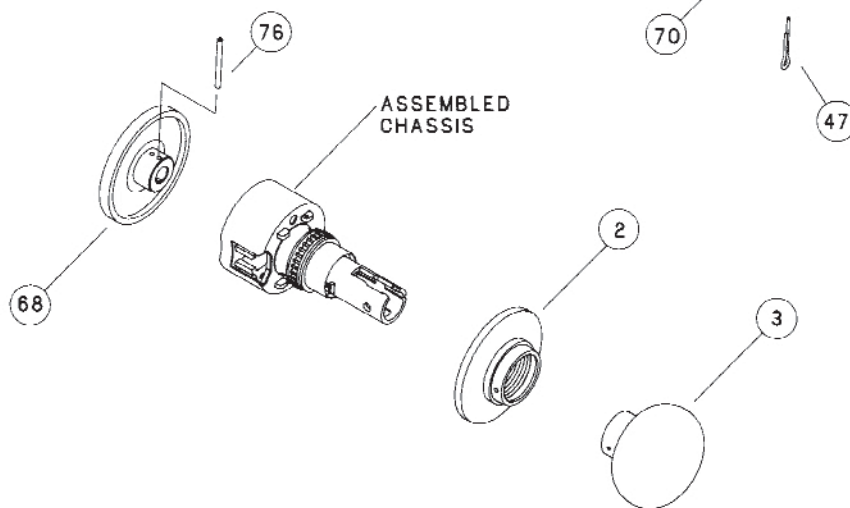
CHASSIS ASSEMBLY



EXIT LOCK
 BLANK PLATE OUTSIDE. INSIDE KNOB
 ALWAYS UNLOCKED.



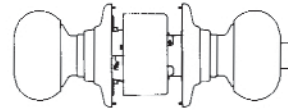
TRIM ASSEMBLY



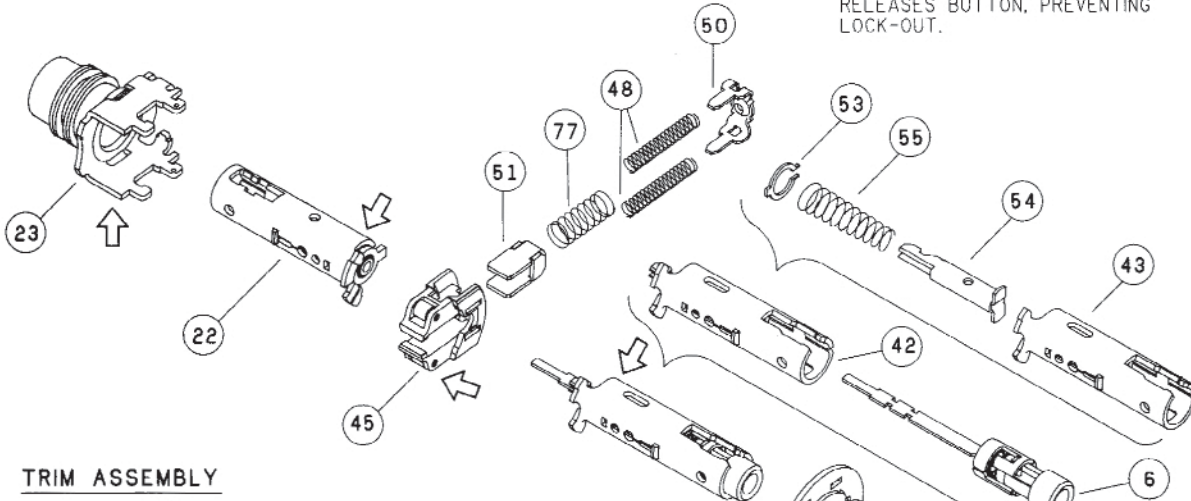
USE LUBRIPLATE M204-168
 WHERE INDICATED BY ARROW →

D30D

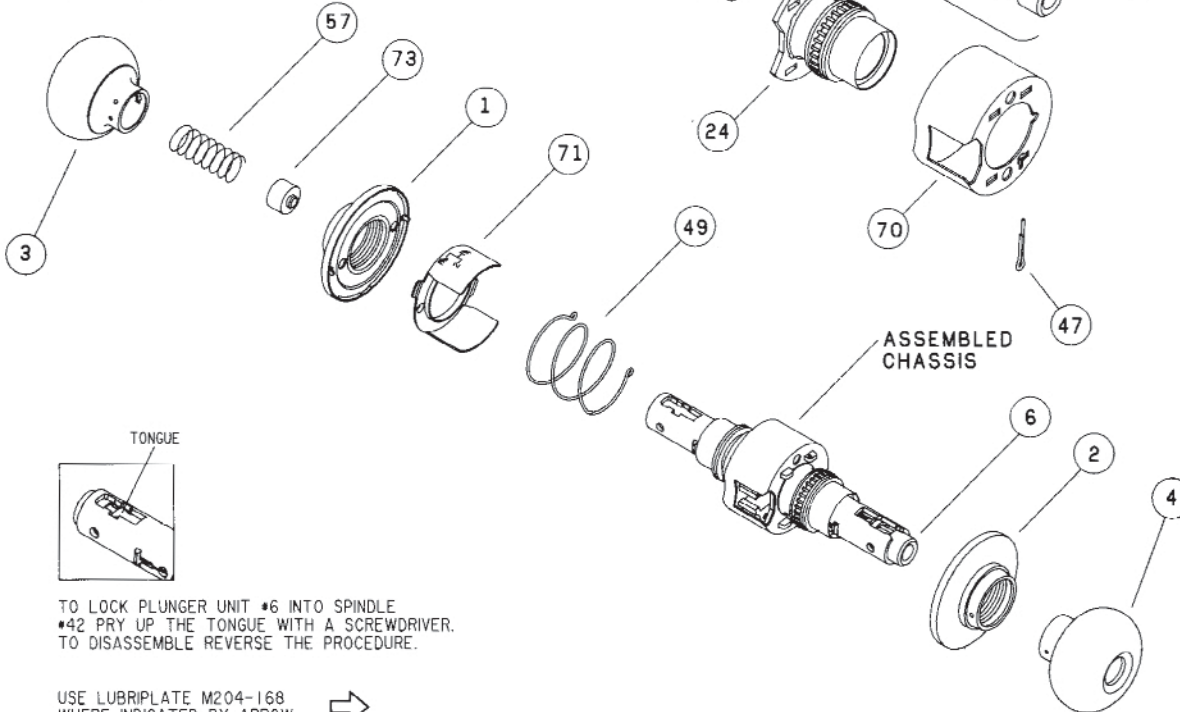
CHASSIS ASSEMBLY



PATIO LOCK
 PUSH BUTTON LOCKING. TURNING INSIDE KNOB OR CLOSING DOOR RELEASES BUTTON, PREVENTING LOCK-OUT.



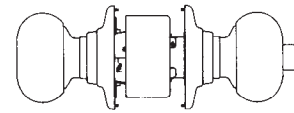
TRIM ASSEMBLY



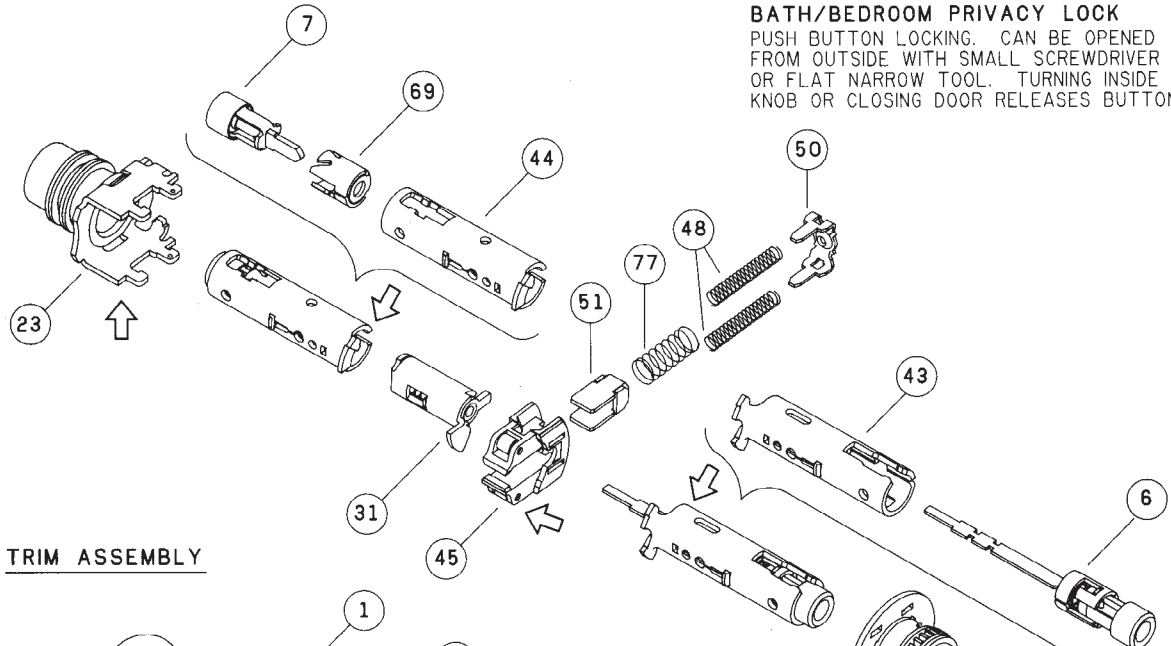
TO LOCK PLUNGER UNIT #6 INTO SPINDLE
 #42 PRY UP THE TONGUE WITH A SCREWDRIVER.
 TO DISASSEMBLE REVERSE THE PROCEDURE.

USE LUBRIPLATE M204-168 →
 WHERE INDICATED BY ARROW

D40S

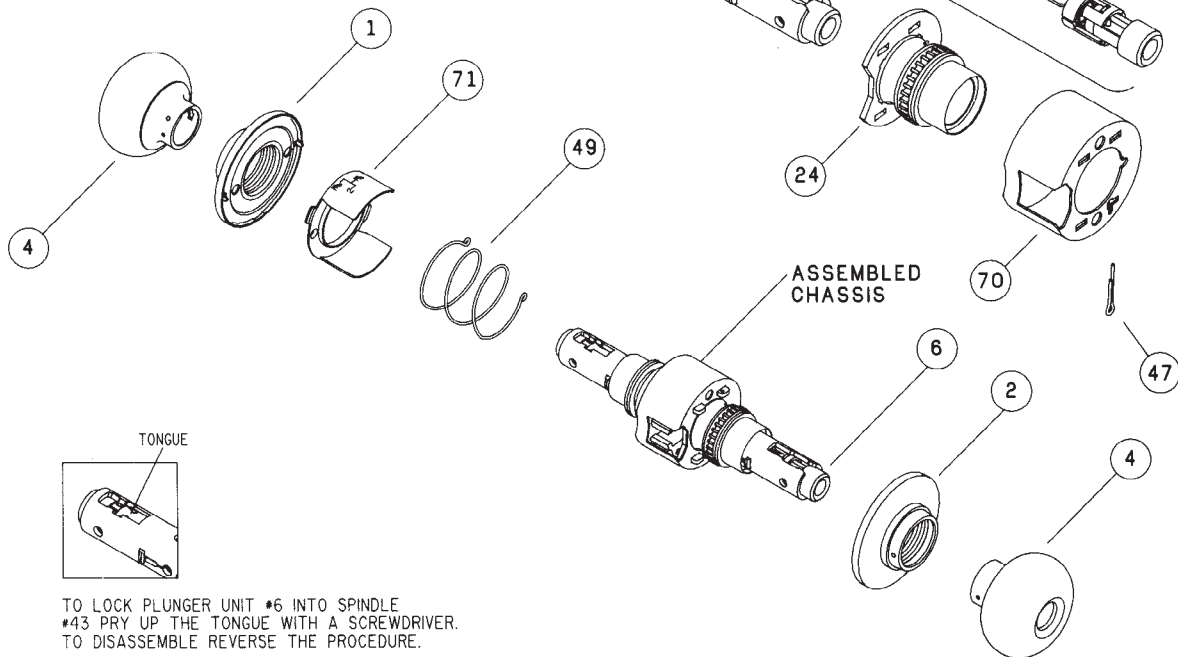


CHASSIS ASSEMBLY



BATH/BEDROOM PRIVACY LOCK
 PUSH BUTTON LOCKING. CAN BE OPENED FROM OUTSIDE WITH SMALL SCREWDRIVER OR FLAT NARROW TOOL. TURNING INSIDE KNOB OR CLOSING DOOR RELEASES BUTTON.

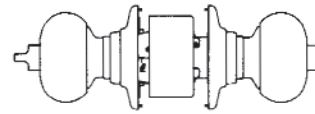
TRIM ASSEMBLY



TO LOCK PLUNGER UNIT #6 INTO SPINDLE.
 #43 PRY UP THE TONGUE WITH A SCREWDRIVER.
 TO DISASSEMBLE REVERSE THE PROCEDURE.

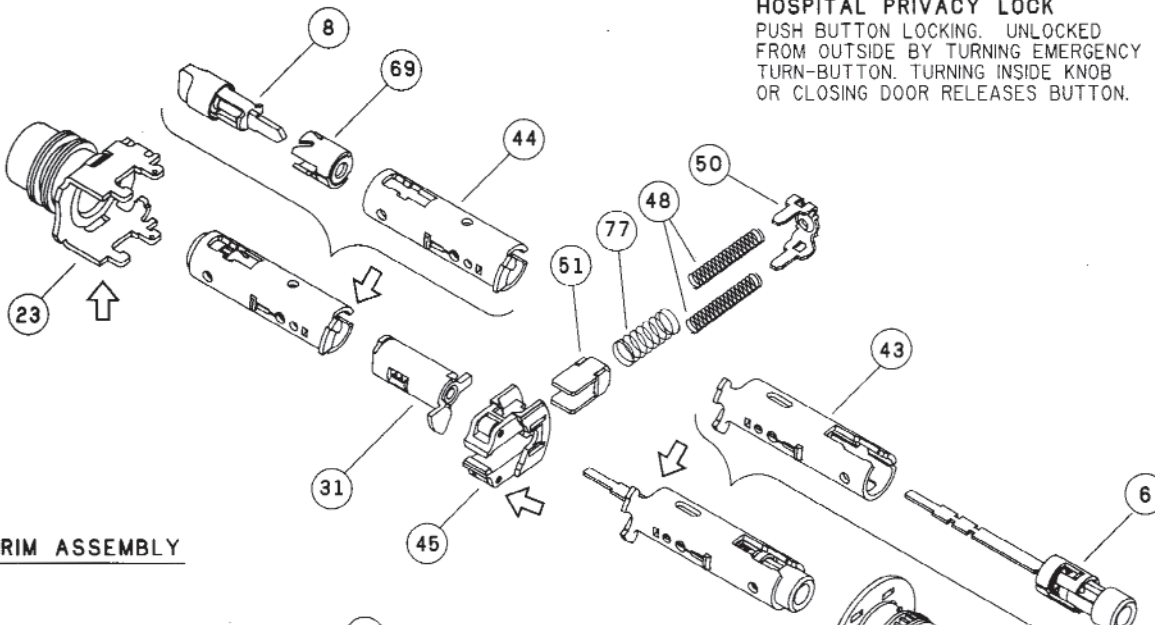
USE LUBRIPLATE M204-168 →
 WHERE INDICATED BY ARROW

D44S

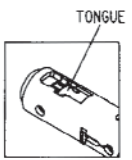
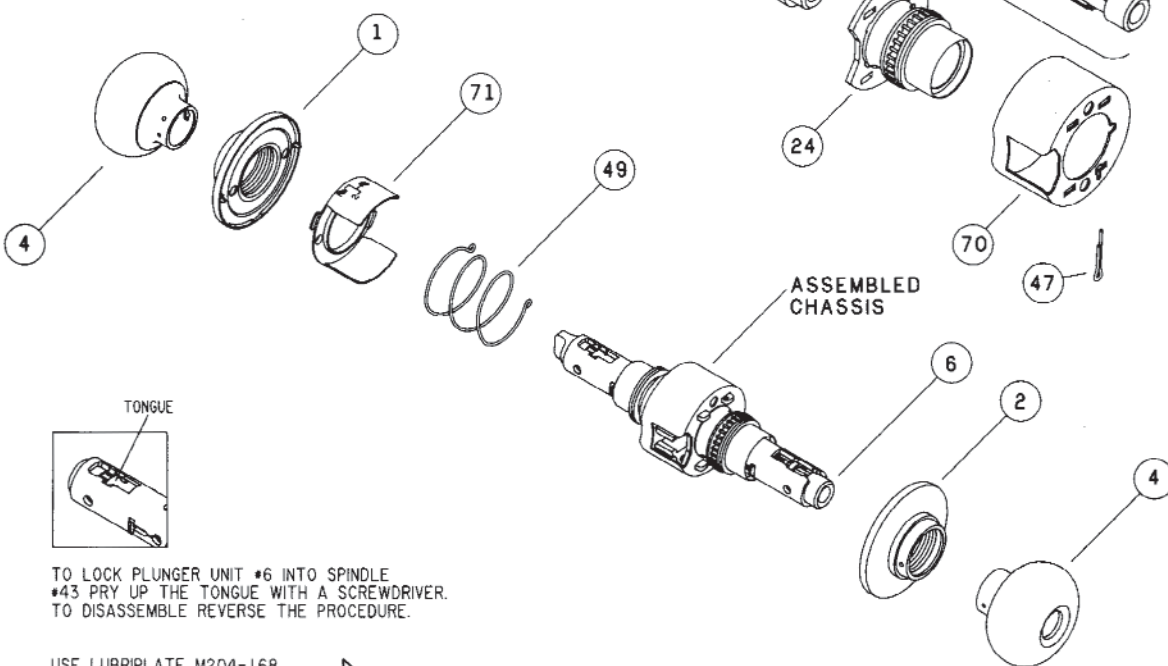


CHASSIS ASSEMBLY

HOSPITAL PRIVACY LOCK
 PUSH BUTTON LOCKING. UNLOCKED FROM OUTSIDE BY TURNING EMERGENCY TURN-BUTTON. TURNING INSIDE KNOB OR CLOSING DOOR RELEASES BUTTON.



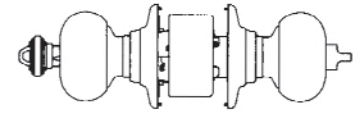
TRIM ASSEMBLY



TO LOCK PLUNGER UNIT #6 INTO SPINDLE #43 PRY UP THE TONGUE WITH A SCREWDRIVER. TO DISASSEMBLE REVERSE THE PROCEDURE.

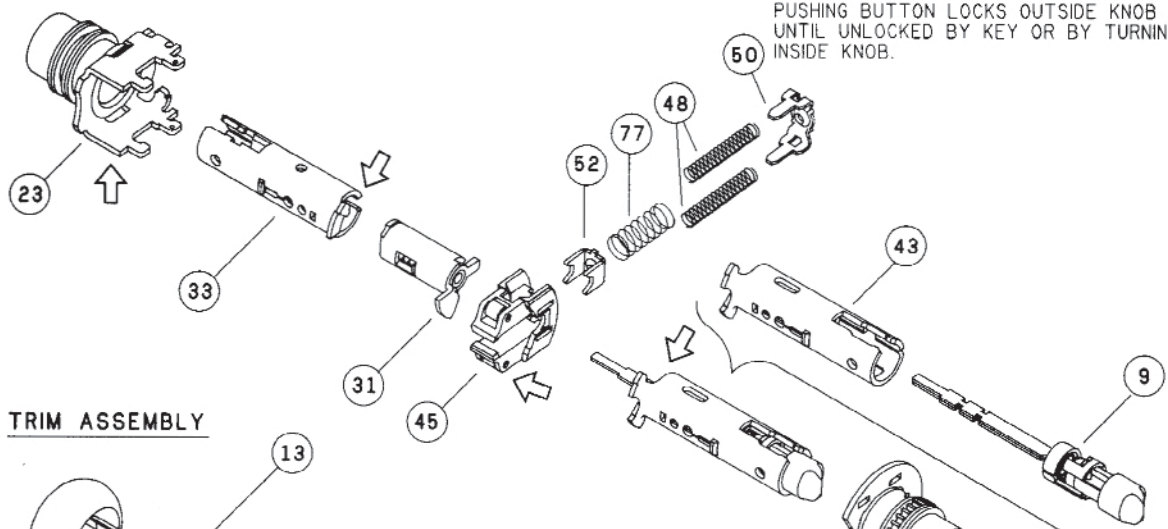
USE LUBRIPLATE M204-168 WHERE INDICATED BY ARROW →

D53PD

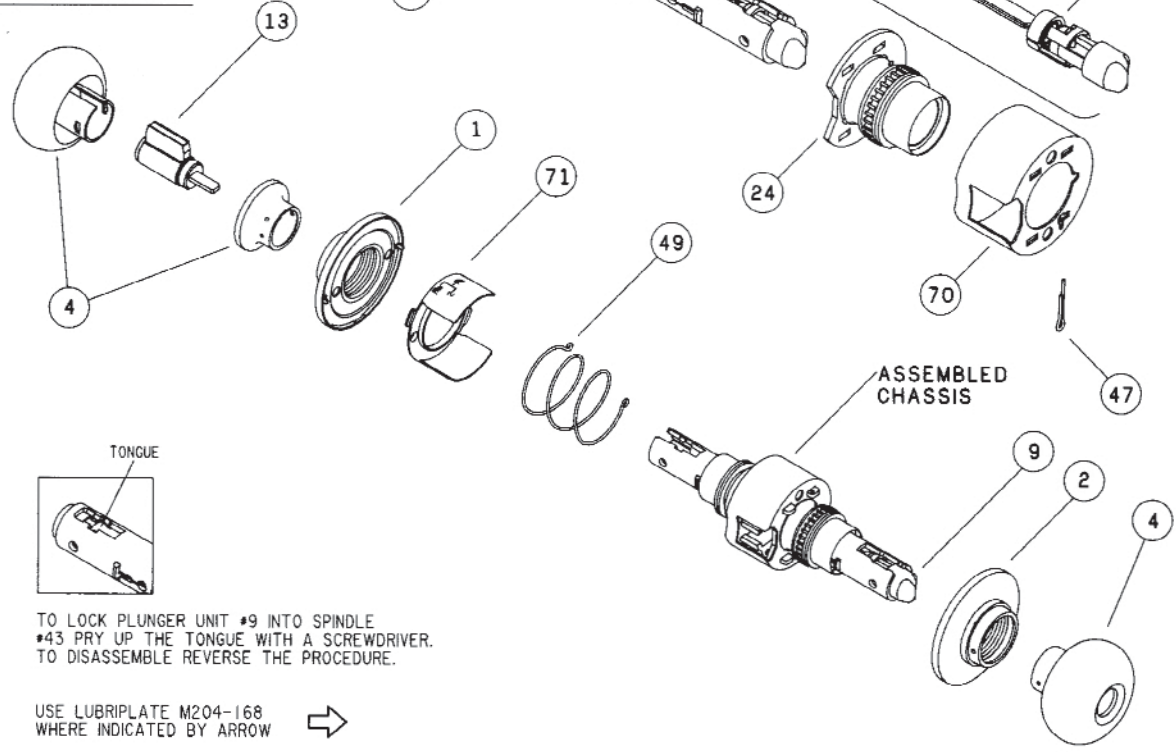


CHASSIS ASSEMBLY

ENTRANCE LOCK
 TURN/PUSH BUTTON LOCKING:
 PUSHING AND TURNING BUTTON LOCKS
 OUTSIDE KNOB REQUIRING USE OF KEY
 UNTIL BUTTON IS MANUALLY UNLOCKED.
 PUSH BUTTON LOCKING:
 PUSHING BUTTON LOCKS OUTSIDE KNOB
 UNTIL UNLOCKED BY KEY OR BY TURNING
 INSIDE KNOB.



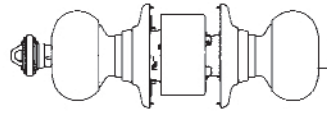
TRIM ASSEMBLY



TO LOCK PLUNGER UNIT #9 INTO SPINDLE
 #43 PRY UP THE TONGUE WITH A SCREWDRIVER.
 TO DISASSEMBLE REVERSE THE PROCEDURE.

USE LUBRIPLATE M204-168 →
 WHERE INDICATED BY ARROW

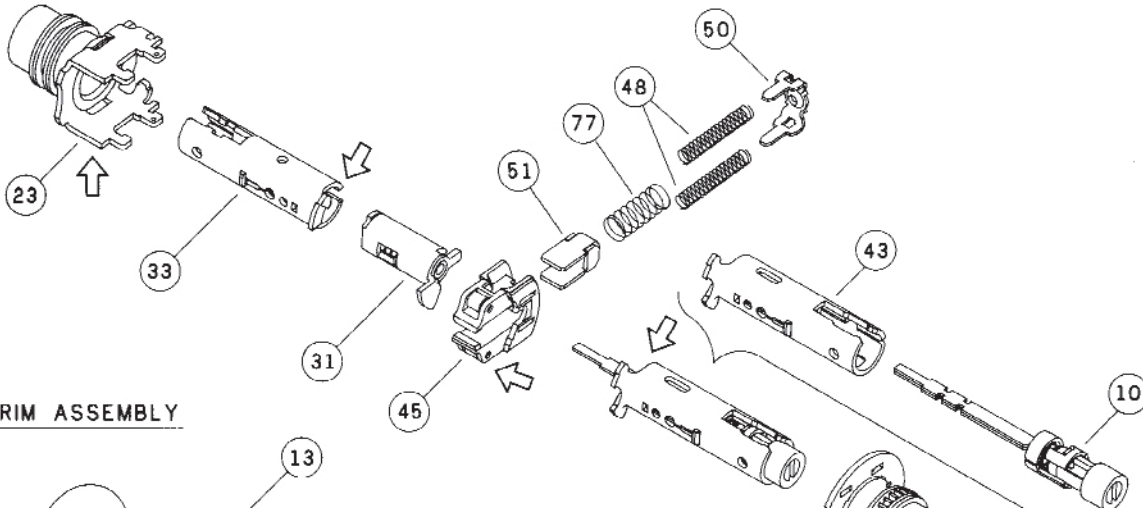
D55PD - DISCONTINUED



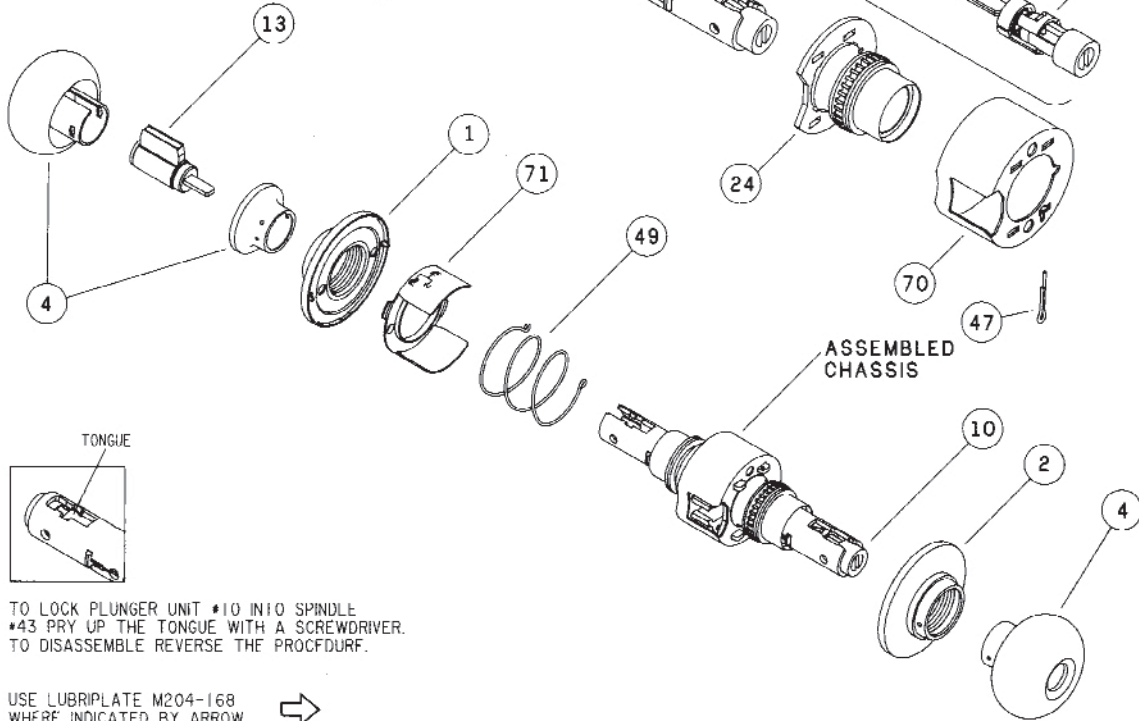
SERVICE STATION LOCK

UNLOCKED BY KEY FROM OUTSIDE WHEN OUTER KNOB IS LOCKED BY UNIVERSAL BUTTON IN INSIDE KNOB. CLOSING DOOR RELEASFS BUTTON. OUTSIDE KNOB MAY BE FIXED BY ROTATING UNIVERSAL BUTTON.

CHASSIS ASSEMBLY



TRIM ASSEMBLY

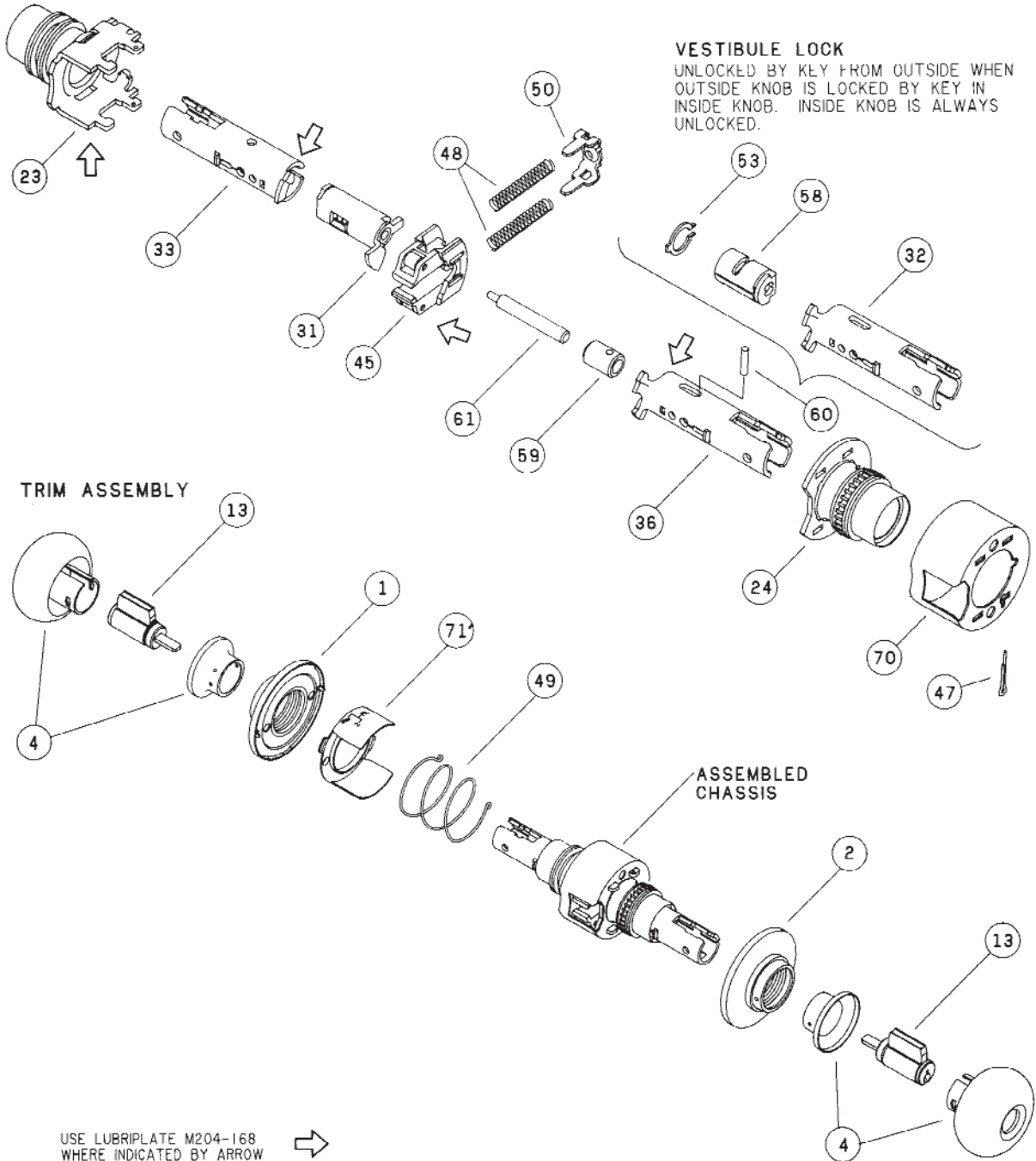


TO LOCK PLUNGER UNIT #10 INTO SPINDLE #43 PRY UP THE TONGUE WITH A SCREWDRIVER. TO DISASSEMBLE REVERSE THE PROCEDURE.

USE LUBRIPLATE M204-168 WHERE INDICATED BY ARROW →

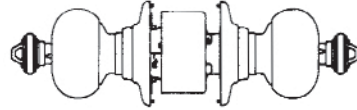
D60PD

CHASSIS ASSEMBLY

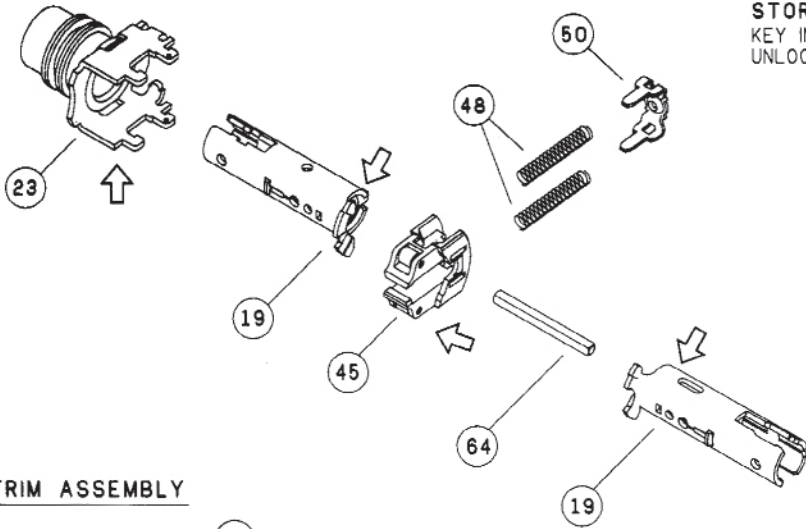


D66PD

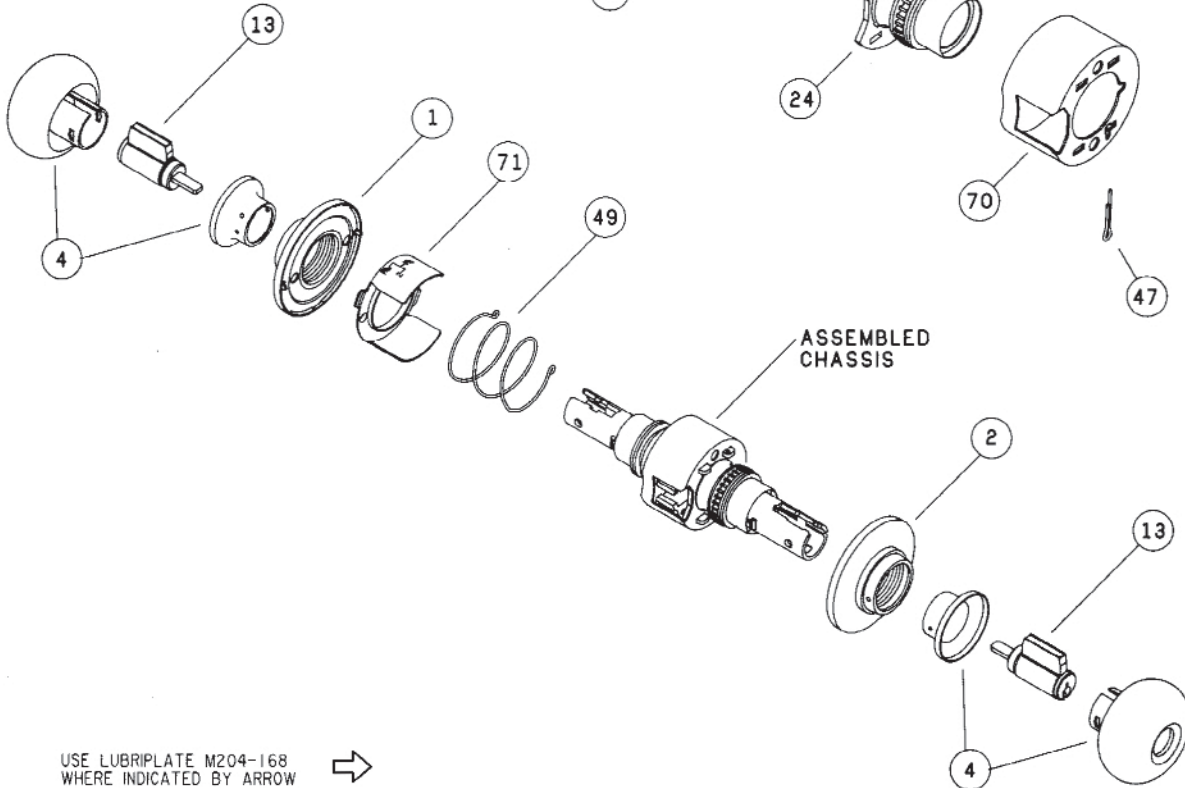
CHASSIS ASSEMBLY



STORE LOCK
KEY IN EITHER KNOB LOCKS OR
UNLOCKS BOTH KNOBS.



TRIM ASSEMBLY

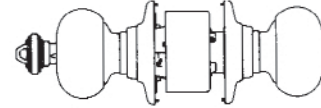


USE LUBRIPLATE M204-168
WHERE INDICATED BY ARROW

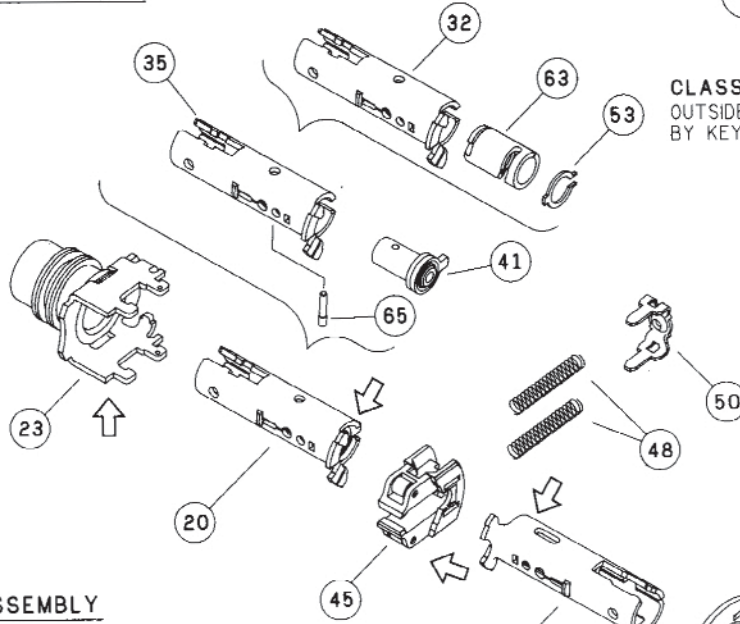


D70PD

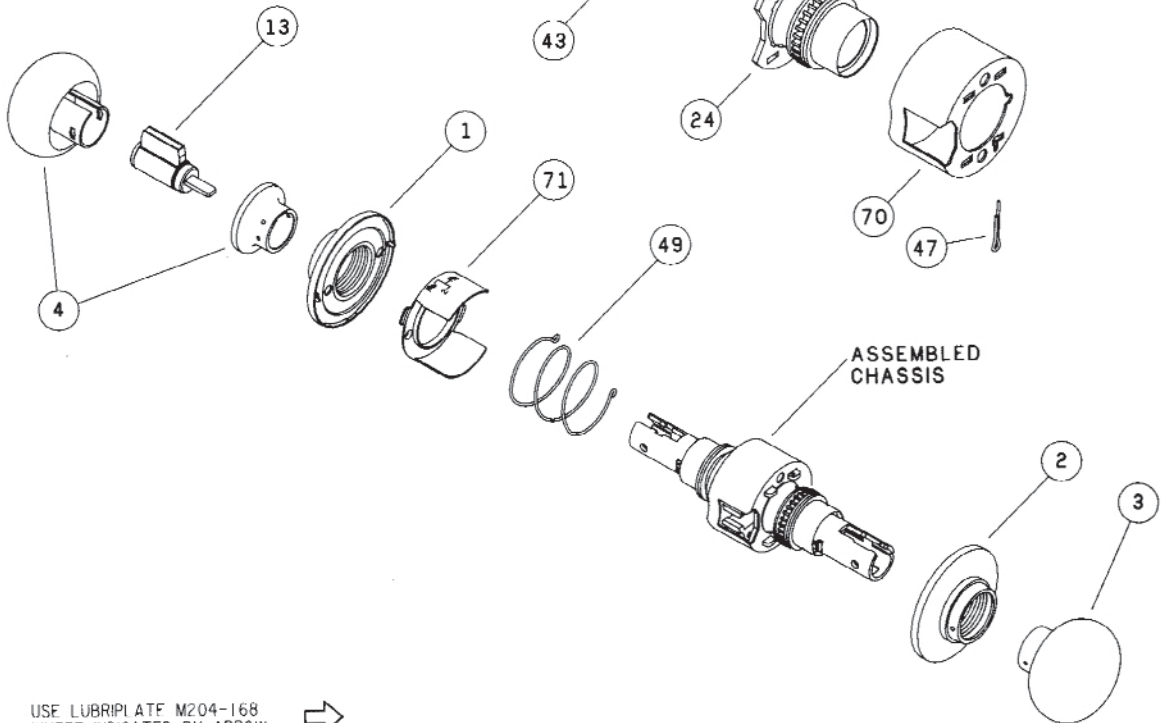
CHASSIS ASSEMBLY



CLASSROOM LOCK
 OUTSIDE KNOB LOCKED AND UNLOCKED BY KEY. INSIDE KNOB ALWAYS UNLOCKED.



TRIM ASSEMBLY

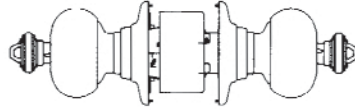


ASSEMBLED CHASSIS

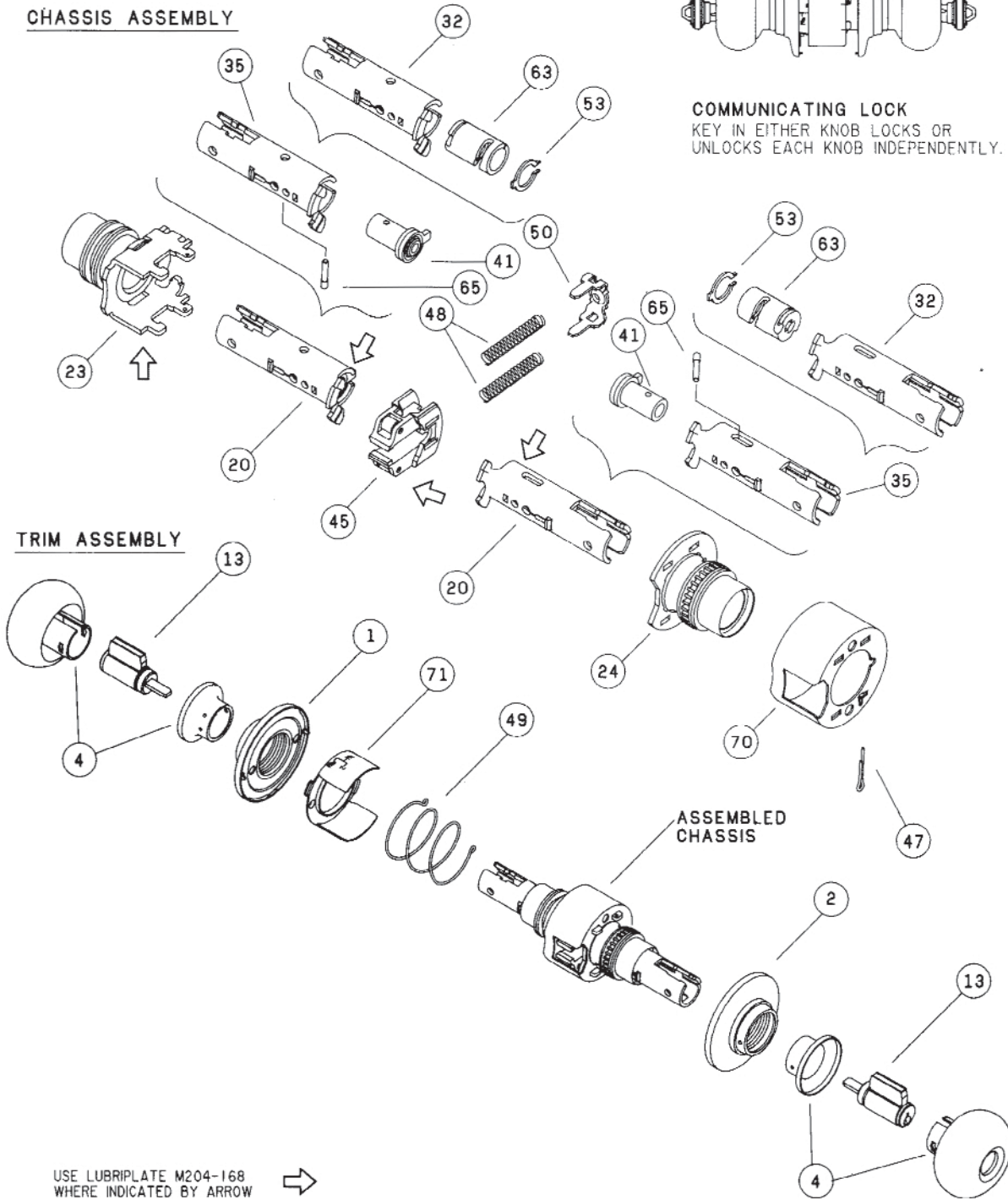
USE LUBRIPLATE M204-168 WHERE INDICATED BY ARROW →

D72PD

CHASSIS ASSEMBLY



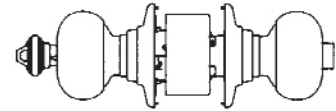
COMMUNICATING LOCK
KEY IN EITHER KNOB LOCKS OR
UNLOCKS EACH KNOB INDEPENDENTLY.



USE LUBRIPLATE M204-168
WHERE INDICATED BY ARROW



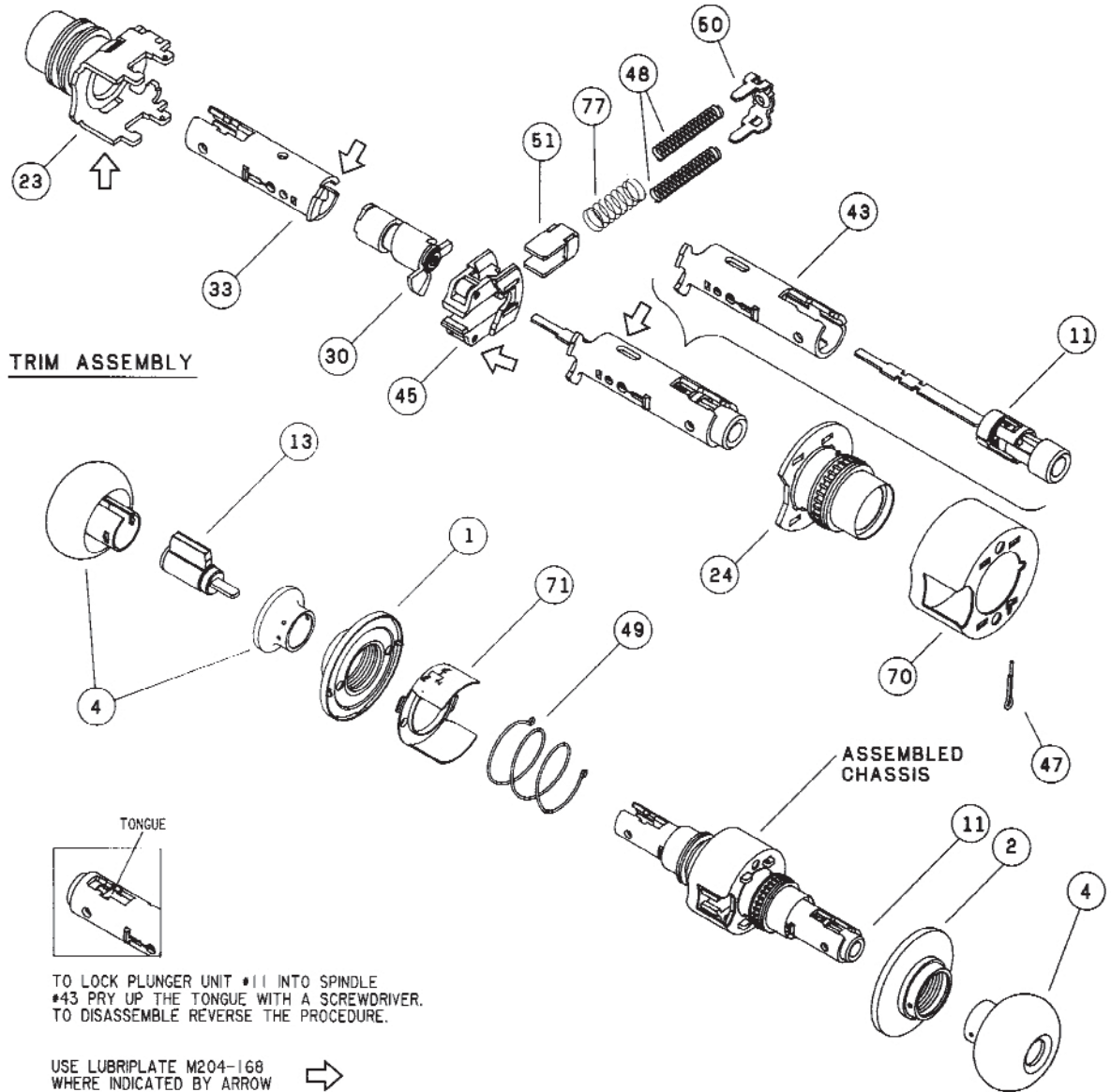
D73PD



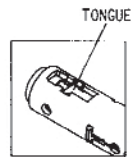
CHASSIS ASSEMBLY

CORRIDOR LOCK

LOCKED OR UNLOCKED BY KEY FROM OUTSIDE. PUSH BUTTON LOCKING FROM INSIDE. TURNING INSIDE KNOB OR CLOSING DOOR RELEASES BUTTON.



TRIM ASSEMBLY

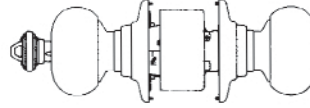


TO LOCK PLUNGER UNIT #11 INTO SPINDLE #43 PRY UP THE TONGUE WITH A SCREWDRIVER. TO DISASSEMBLE REVERSE THE PROCEDURE.

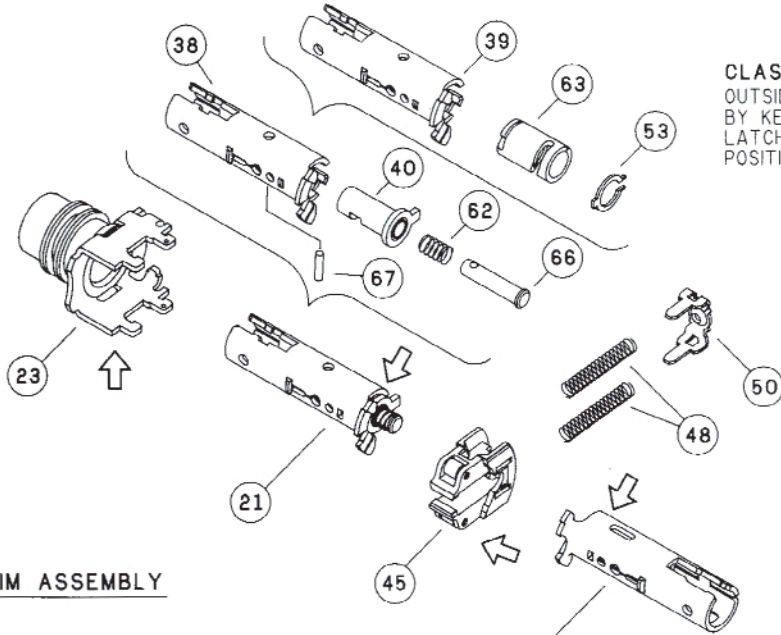
USE LUBRIPLATE M204-168 WHERE INDICATED BY ARROW →

D76PD

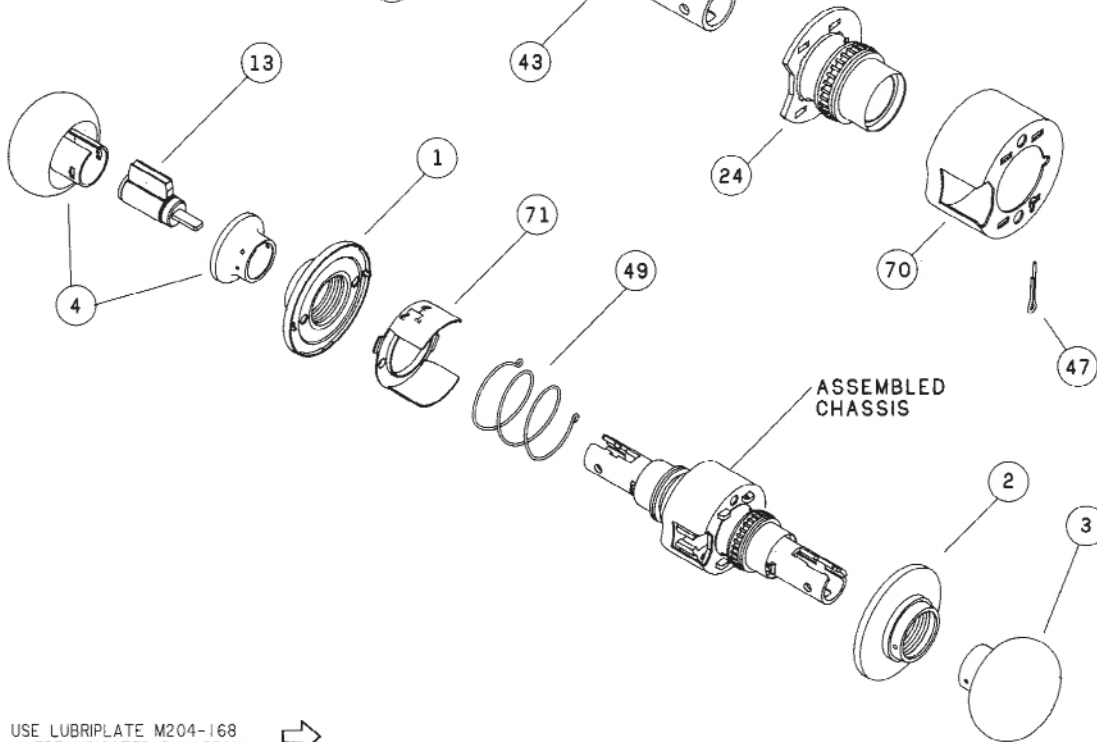
CHASSIS ASSEMBLY



CLASSROOM HOLD-BACK LOCK
 OUTSIDE KNOB LOCKED OR UNLOCKED BY KEY. INSIDE KNOB ALWAYS UNLOCKED. LATCH MAY BE LOCKED IN RETRACTED POSITION BY KEY.



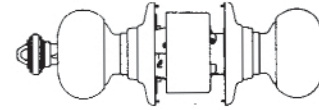
TRIM ASSEMBLY



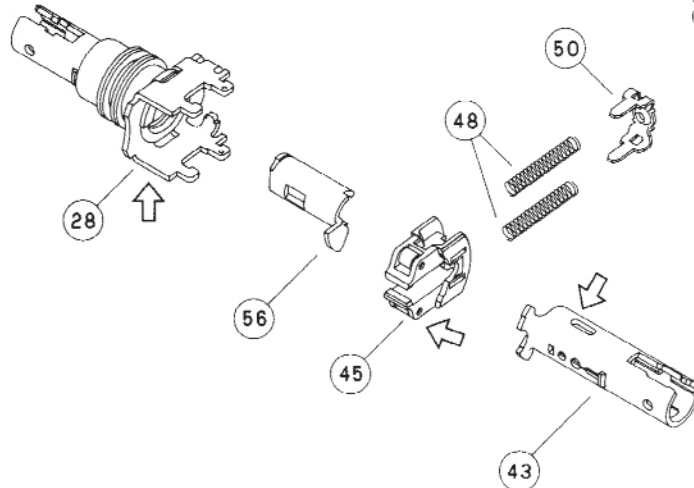
USE LUBRIPLATE M204-168 WHERE INDICATED BY ARROW →

D80PD

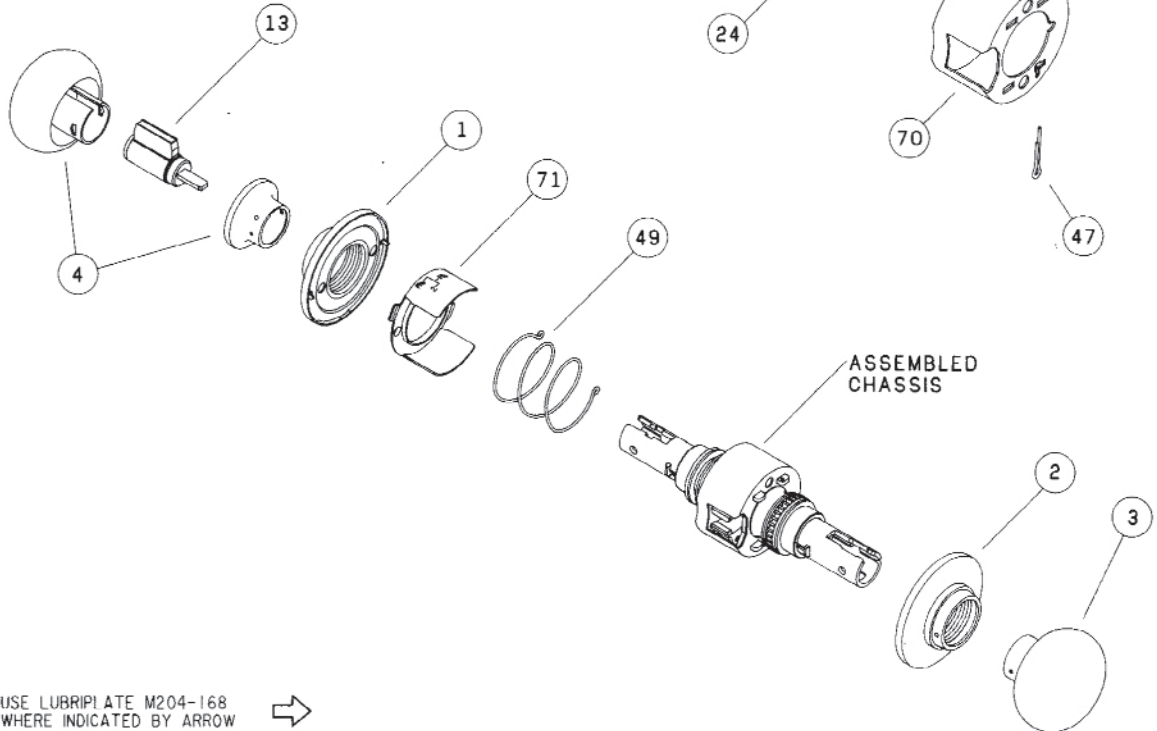
CHASSIS ASSEMBLY



STOREROOM LOCK
 OUTSIDE KNOB FIXED. ENTRANCE BY KEY ONLY. INSIDE KNOB ALWAYS UNLOCKED.

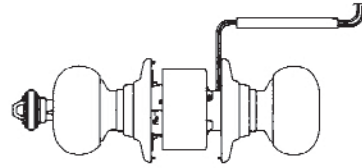


TRIM ASSEMBLY



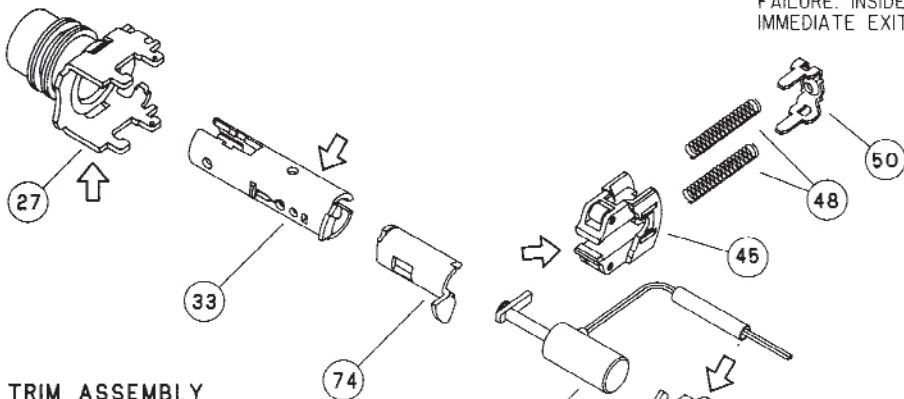
USE LUBRIPLATE M204-168 WHERE INDICATED BY ARROW →

D80PDEL

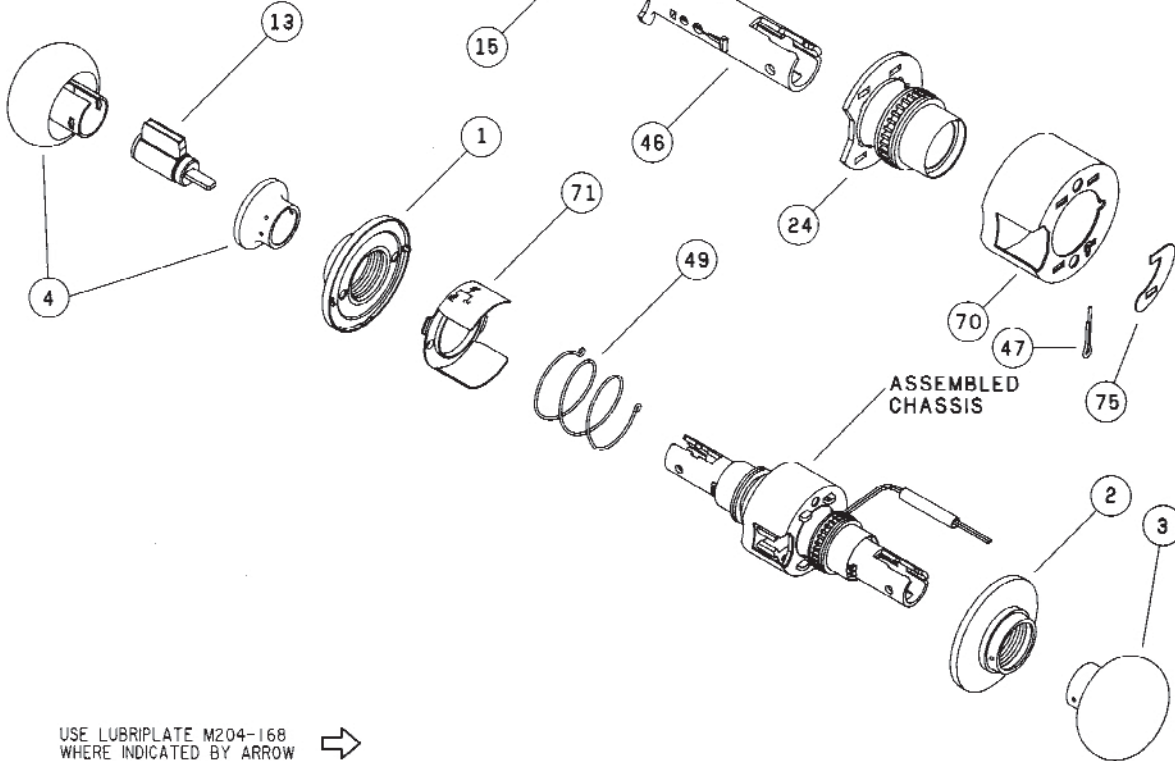


ELECTRICALLY LOCKED
AUXILIARY LATCH DEADLOCKS LATCHBOLT WHEN DOOR IS CLOSED. OUTSIDE KNOB CONTINUOUSLY LOCKED ELECTRICALLY UNTIL UNLOCKED BY KEY, SWITCH OR POWER FAILURE. INSIDE KNOB ALWAYS FREE FOR IMMEDIATE EXIT.

CHASSIS ASSEMBLY

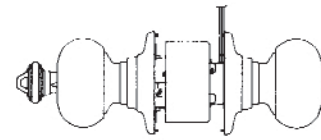


TRIM ASSEMBLY



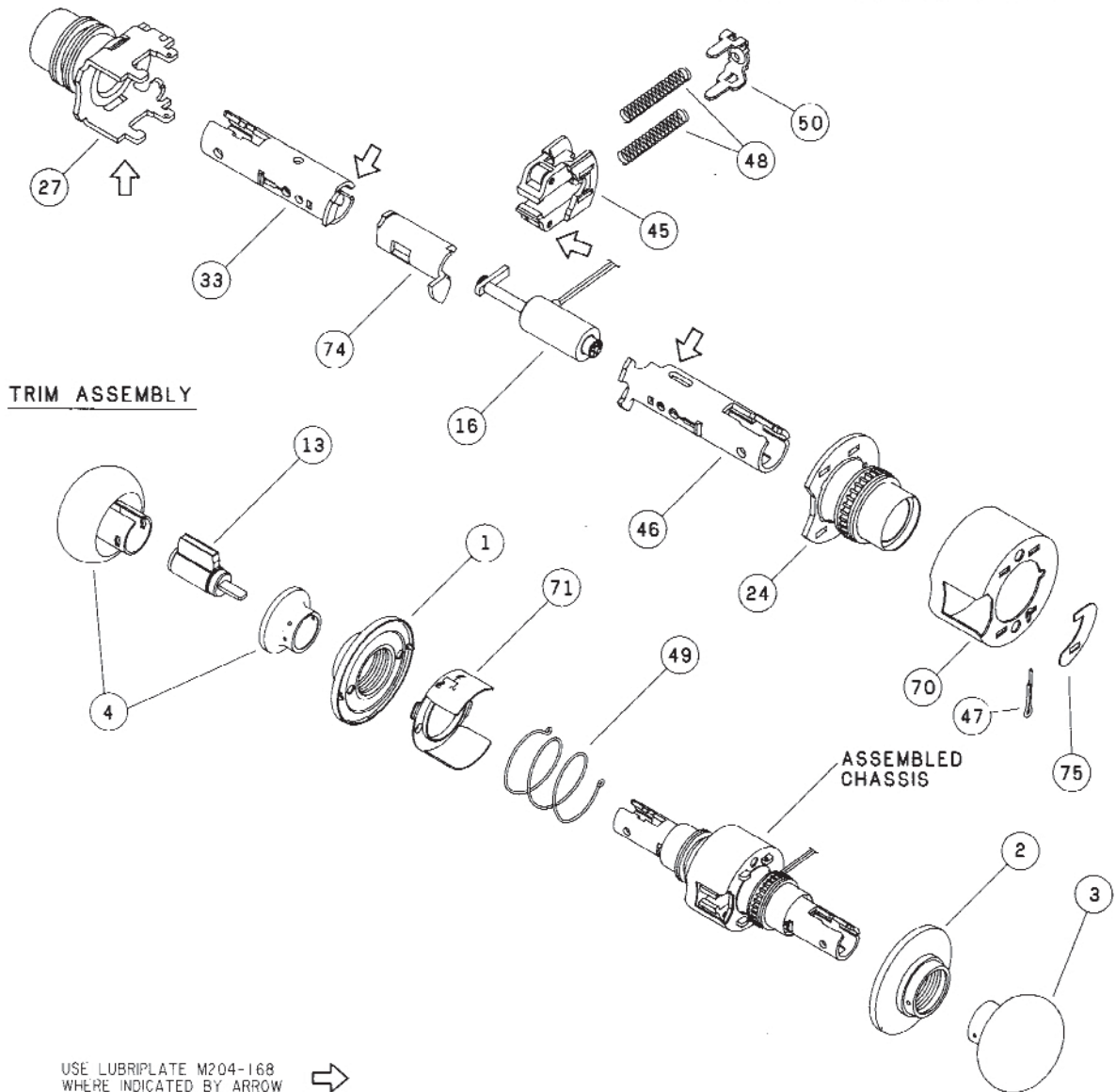
USE LUBRIPLATE M204-168 WHERE INDICATED BY ARROW →

D80PDEU



ELECTRICALLY UNLOCKED
 AUXILIARY LATCH DEADLOCKS LATCHBOLT WHEN DOOR IS CLOSED. OUTSIDE KNOB CONTINUOUSLY LOCKED UNTIL UNLOCKED BY KEY OR ELECTRIC CURRENT. INSIDE KNOB ALWAYS FREE FOR IMMEDIATE EXIT.

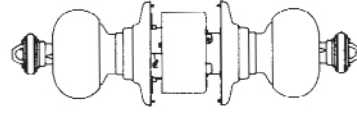
CHASSIS ASSEMBLY



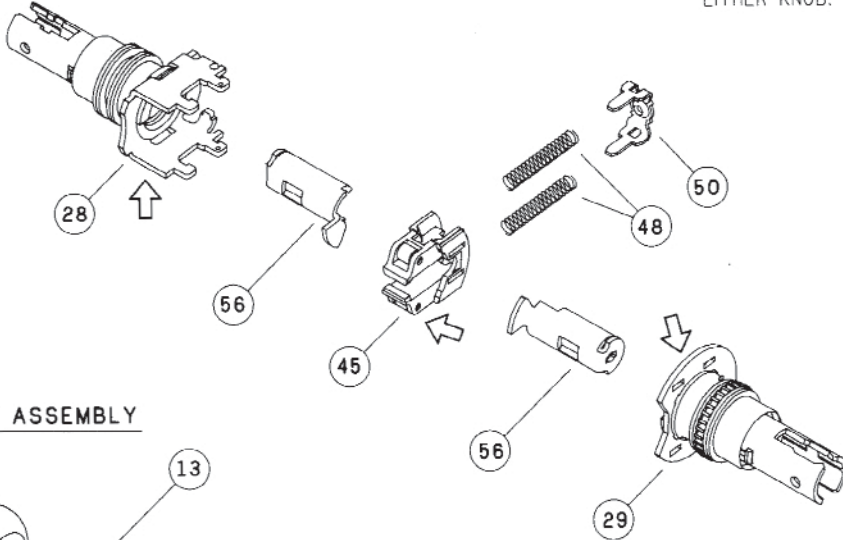
USE LUBRIPLATE M204-168 WHERE INDICATED BY ARROW →

D82PD

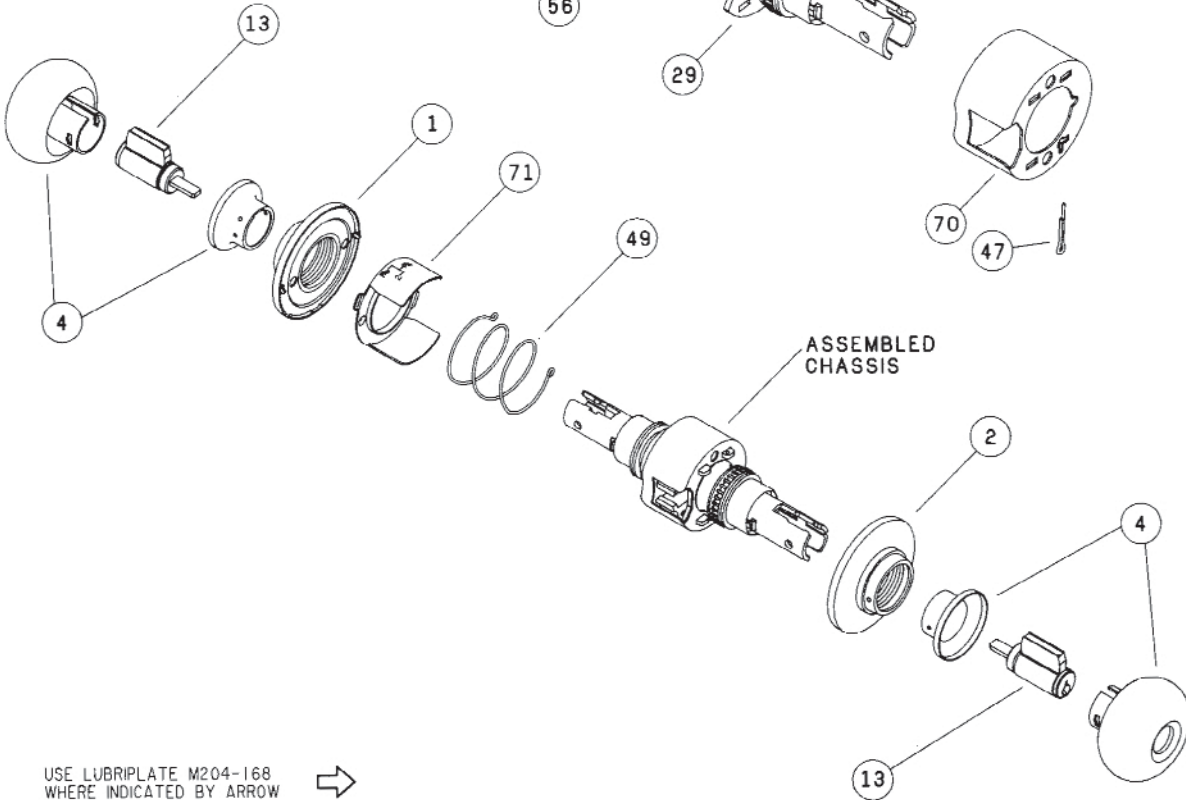
CHASSIS ASSEMBLY



INSTITUTION LOCK
BOTH KNOBS FIXED. ENTRANCE BY KEY IN
EITHER KNOB.

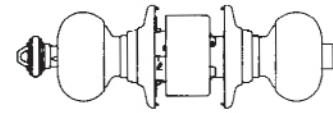


TRIM ASSEMBLY



USE LUBRIPLATE M204-168 WHERE INDICATED BY ARROW →

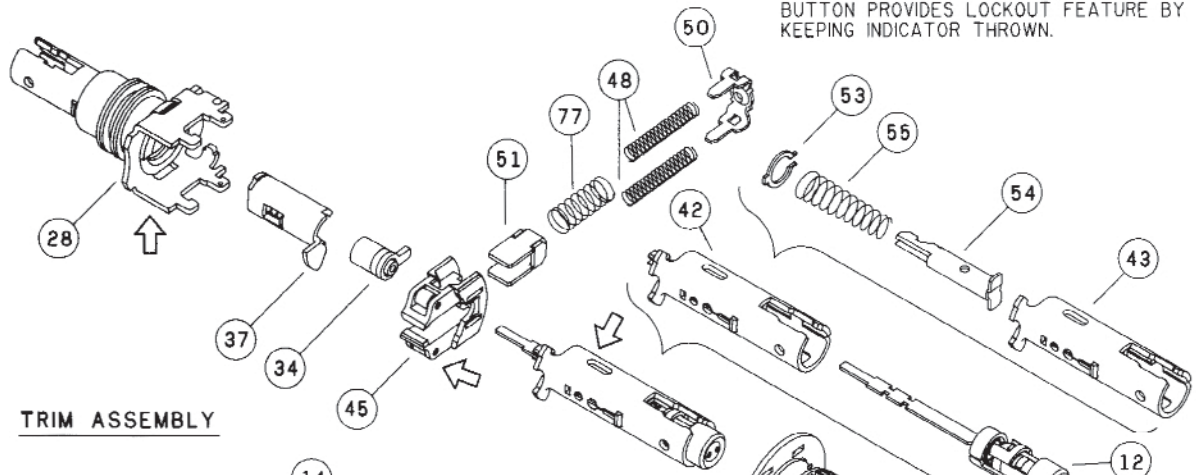
D85PD



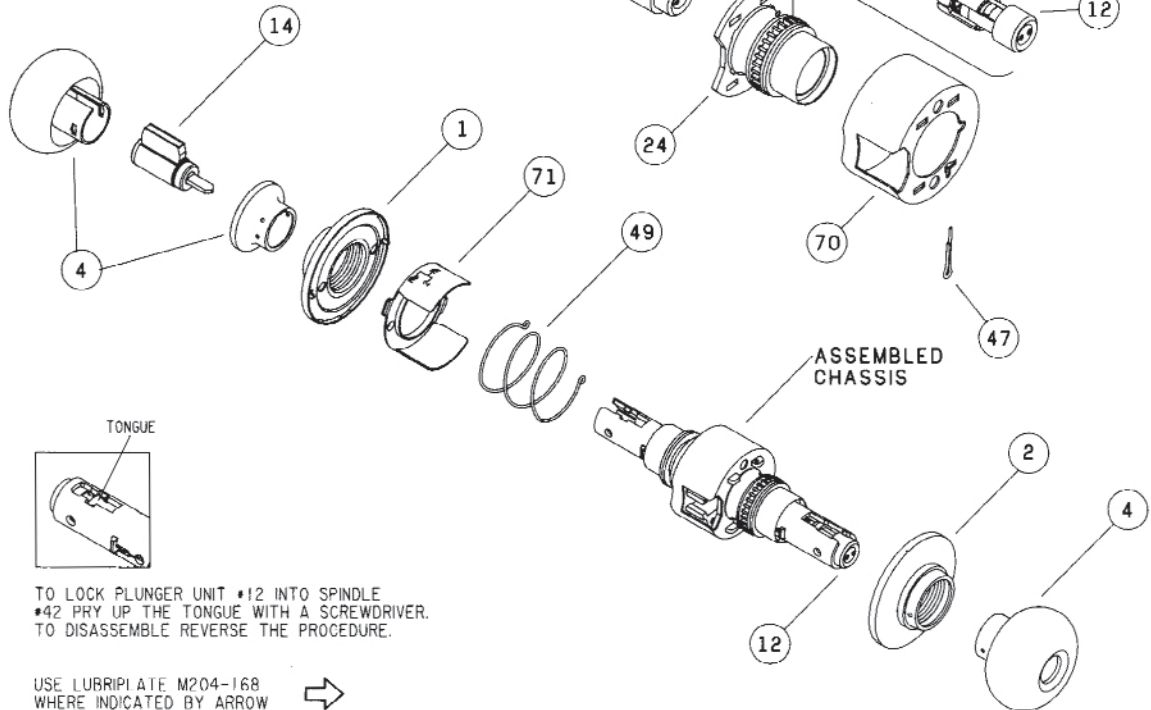
HOTEL/MOTEL LOCK

OUTSIDE KNOB FIXED. ENTRANCE BY KEY ONLY. PUSH-BUTTON IN INSIDE KNOB ACTIVATES VISUAL OCCUPANCY INDICATOR, ALLOWING ONLY EMERGENCY MASTERKEY TO OPERATE. ROTATING INSIDE KNOB OR CLOSING DOOR RELEASES VISUAL OCCUPANCY INDICATOR. ROTATION OF INSIDE SPANNER-BUTTON PROVIDES LOCKOUT FEATURE BY KEEPING INDICATOR THROWN.

CHASSIS ASSEMBLY



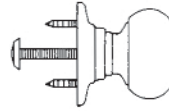
TRIM ASSEMBLY



TO LOCK PLUNGER UNIT #12 INTO SPINDLE #42 PRY UP THE TONGUE WITH A SCREWDRIVER. TO DISASSEMBLE REVERSE THE PROCEDURE.

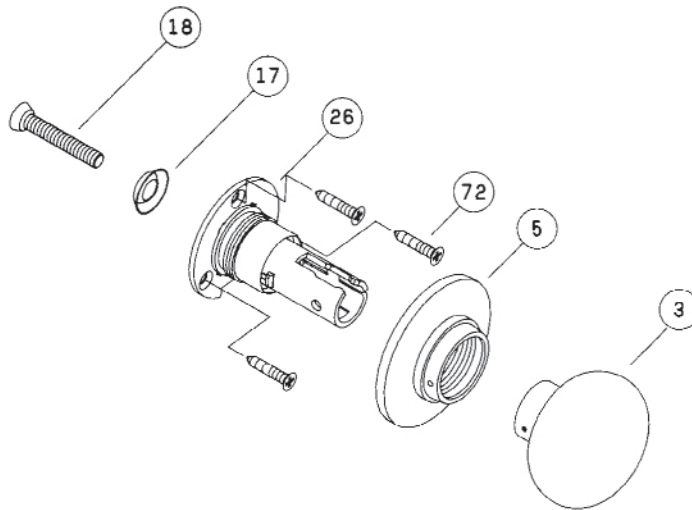
USE LUBRICATE M204-168 WHERE INDICATED BY ARROW →

D170



SINGLE DUMMY TRIM
DUMMY TRIM FOR ONE SIDE OF DOOR.
USED FOR DOOR PULL OR AS MATCHING
INACTIVE TRIM.

TRIM ASSEMBLY



STANDARD D-LOCKS

SYM.	NO.	DESCRIPTION	DISCONTINUED																					
			D10S	D12D	D12DEL	D12DEU	D25D	D30D	D40S	D44S	D53PD	D55PD	D60PD	D66PD	D70PD	D72PD	D73PD	D76PD	D80PD	D80PDEL	D80PDEU	D82PD	D85PD	D170
①	04-001	OUTSIDE ROSE	●	●	●	●	●	●	●	●	●	●	●	●	●	●	●	●	●	●	●	●	●	●
②	04-002	INSIDE ROSE	●	●	●	●	●	●	●	●	●	●	●	●	●	●	●	●	●	●	●	●	●	●
③	04-006	CLOSED KNOB	2	2	2	2	●	●					●			●	●	●	●				●	
④	04-007	OPEN KNOB					●	2	2	2	2	2	2	●	2	2	●	●	●	●	2	2		
⑤	04-017	ROSE																					●	
⑥	04-020	O/S PLUNGER UNIT					●	●	●															
⑦	04-021	O/S PLUNGER UNIT					●																	
⑧	04-022	PLUNGER, OUT						●																
⑨	04-023	I/S PLUNGER UNIT							●															
⑩	04-024	I/S PLUNGER UNIT								●														
⑪	04-025	I/S PLUNGER UNIT													●									
⑫	04-026	I/S PLUNGER UNIT																				●		
⑬	23-001	CYLINDER								●	●	2	2	●	2	●	●	●	●	●	2			
⑭	23-003	CYLINDER																				●		
⑮	38-072	SOLENOID & DIODE		●														●						
⑯	38-073	SOLENOID & DIODE			●														●					
⑰	A501-171	WASHER																					●	
⑱	A501-746	SCREW																					●	
⑲	C100-059	SPINDLE & PLUG										2												
⑳	C100-062	SPINDLE & PLUG											●	2										
㉑	C100-255	SPINDLE & PLUG														●								
㉒	C100-433	SPINDLE & PLUG					●																	
㉓	C102-522	HUB & CAP OUT	●				●	●	●	●	●	●	●	●	●	●	●							
㉔	C102-524	HUB & CAP INS	●	●	●	●	●	●	●	●	●	●	●	●	●	●	●	●	●	●		●		
㉕	C102-540	HUB & FRAME				●																		
㉖	C102-541	HUB & CAP INS																					●	
㉗	C102-542	HUB & CAP OUT		●	●													●	●					
㉘	C102-570	HUB & CAP OUT	●														●			●	●			
㉙	C102-572	HUB & CAP INS																			●			

STANDARD D-LOCKS

SYM.	NO.	DESCRIPTION	D10S	D12D	D12DEL	D12DEU	D25D	D30D	D40S	D44S	D53PD	D55PD	D60PD	D66PD	D70PD	D72PD	D73PD	D76PD	D80PD	D80PDEL	D80PDEU	D82PD	D85PD	D170
					DISCONTINUED	DISCONTINUED	DISCONTINUED						DISCONTINUED											
59	C503-360	RIDER, CAM											●											
60	C503-361	PIN, CAM											●											
61	C503-362	PLUNGER											●											
62	C503-364	SPRING																●						
63	C503-368	SPINDLE & CATCH													●	2		●						
64	C503-371	PLUNGER											●											
65	C503-400	PIN												●	2									
66	C503-508	RIDER																●						
67	C503-509	PIN																●						
68	C503-775	ROSE OUTSIDE				●																		
69	C503-965	SLEEVE, PLUNGER						●	●															
70	C603-500	HOUSING, SLIDE	●	●	●	●	●	●	●	●	●	●	●	●	●	●	●	●	●	●	●	●	●	●
71	C603-501	ANCHOR	●	●	●	●		●	●	●	●	●	●	●	●	●	●	●	●	●	●	●	●	●
72	C603-897	SCREWS																						3
73	C604-203	STOP	●	●	●		●																	
74	C604-204	SPINDLE, KEY			●	●													●	●				
75	C604-205	CLIP, RETAINING, SOL.			●	●													●	●				
76	C604-237	PIN					●																	
77	C604-191	SPRING, CATCH, SLIDE						●	●	●	●	●				●							●	

D-SERIES REPLACEMENT PARTS

Use all the new-style replacement parts noted below when replacing the old-style slide catch spring.

Old-style slide
catch spring
G505-747



Function	New-Style Replacement Parts	When Replacing These Old-Style Parts...		
D30, D40, D44, D55, D73, D85		C303-009 Slide & Rollers ↓	C503-315 Slide Catch ↓	G505-747 Slide Catch Spring ↓
		Order These New-Style Parts		
		C303-006 Slide & Rollers	C604-187 Slide Catch	C604-187 Slide Catch
		C604-187 Slide Catch	C604-191 Slide Catch Spring	C604-191 Slide Catch Spring
		C604-191 Slide Catch Spring		C604-191 Slide Catch Spring

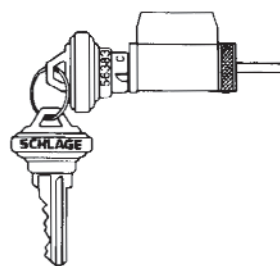
Function	New-Style Replacement Parts	When Replacing These Old-Style Parts...		
D53		C303-009 Slide & Rollers ↓	C503-316 Slide Catch ↓	G505-747 Slide Catch Spring ↓
		Order These New-Style Parts		
		C303-006 Slide & Rollers	C303-006 Slide & Rollers	C303-006 Slide & Rollers
		C604-188 Slide Catch	C604-188 Slide Catch	C604-188 Slide Catch
		C604-191 Slide Catch Spring	C604-191 Slide Catch Spring	C604-191 Slide Catch Spring

D-SERIES CYLINDERS

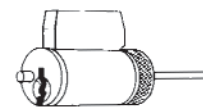
Schlage locks are provided with cylinder units precision built to extremely close tolerances and the highest standard of accuracy. Phosphor bronze springs, nickel silver keys and pins are used throughout the Schlage offering. The best combination of materials is used to ensure the manufacture of cylinders with ease of operation and long wear.

Cylinder Units

Number	Description
23-001	6 Pin unit, Standard
21-002	6 Pin unit (2 $\frac{1}{8}$ " - 2 $\frac{1}{2}$ " doors)
23-003	6 Pin indicator unit
23-003-098	Individual unit (2 $\frac{1}{8}$ " - 2 $\frac{1}{2}$ " doors)



Standard Cylinder
23-001



Hotel Function
Indicator Cylinder
23-003

Cylinder Parts

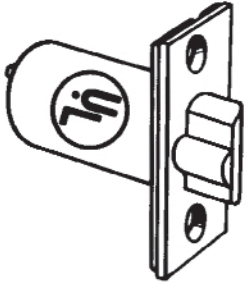
Number	Description
33-006	Cylinder plug, 6 pin
33-216	Cylinder plug, indicator, 6 pin
A201-849	Body, 6 pin
C503-767	Driver for 23-003, 24-001
C503-347	Bar for 24-001
C603-098	Disc for 23-003, 24-001
C604-106	Bar, driver for 23-003
C604-107	Bar for 23-003-098
C604-243	Bar, driver for 23-001
C604-144	Indicator spring
C604-371	Indicator for 23-003
C603-195	Obstruction pin for 23-003
C503-113	Tumbler pin springs
C503-115	Retainer cap Springs
C503-116	Retainer cap Pins
C503-118	Retainer cap

IMPORTANT: Use graphite or similar material for cylinder lubrication only. Under no circumstance should any other type of material be introduced into the cylinder.

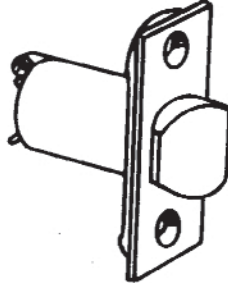
D-SERIES LATCHES & STRIKES

D-Series latches are adjustable for flat or beveled edge doors. Latches and strikes are available in brass, bronze, or chrome finishes.

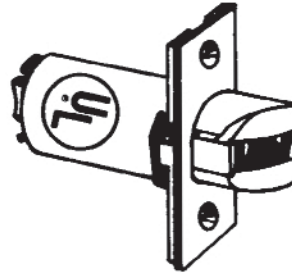
All D-Series latches have 1/2" throw and 1" housings, unless otherwise noted.



Square Corner Latch Deadlatch



Square Corner Latch Springlatch



Fire Door Latch

Backset	Description	Deadlatch	Springlatch
2 3/4"	1 1/8" x 2 1/4" square corner	14-047	-
2 3/4"	1 1/8" x 2 1/4" square corner	14-019	14-001
	1 1/8" x 2 1/4" Marine latch	13-019	13-001
	1 1/8" x 2 1/4", 3/4" Throw, Fire door latch	14-042	-
2 3/4"	1 1/8" x 2 1/4", square corner	14-028	14-010

NOTE: Hollow metal doors must be properly reinforced for latch support

Strikes

All Schlage strikes are furnished complete with screws. The standard D-Series strike has a 1 1/8" lip and is furnished with a black plastic dust box.

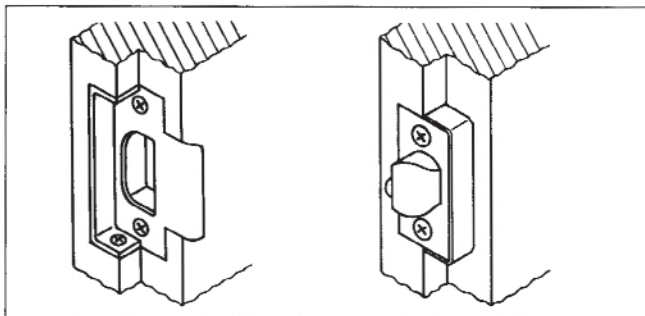
Number	Description	Lip Length
10-013	1 1/8" x 2 3/4", Standard	1 1/8"
10-016	1 1/8" x 2 3/4", Deep box	1 1/8"
10-019	1 1/8" x 2 3/4", Marine box	1 1/8"
10-025	1 1/8" x 4 7/8", ANSI	1 3/16"
10-042	1 1/8" x 4 7/8", Electric Latch Release	-



Standard Strike
10-013
1 1/8" x 2 3/4" x 3/32"



ANSI Strike
10-025
1 1/4" x 4 7/8" x 3/32"



Rabbeted Latch and Strike Kit
39-030

This kit adapts square corner latches and strikes for 1/2" rabbeted door and frame preparations.

ELECTRIFIED LOCKS

Certifications:

Schlage heavy duty cylindrical D-Series locks are rated for both fire and electrical single point locking applications on labeled openings by Underwriters Laboratories U.L. 119X.

Electrical Requirements:

Electrically locking: Amps .15; Volts 24 AC only.
 Electrically unlocking: Amps .15; Volts 24 AC. Amps .35; Volts 24 DC.

Functions

D80PDEL



Electrically Locked

Auxiliary latch deadlocks latchbolt when door is closed. Outside knob continuously locked electrically until unlocked by key, switch for power failure. Inside knob always free for immediate exit.

D80PDEU

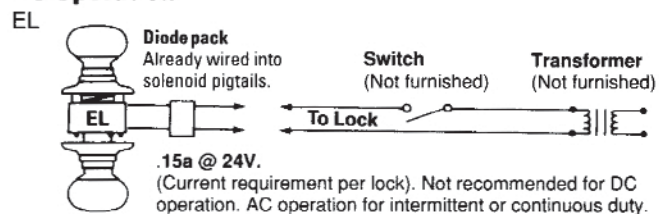


Electrically Unlocked

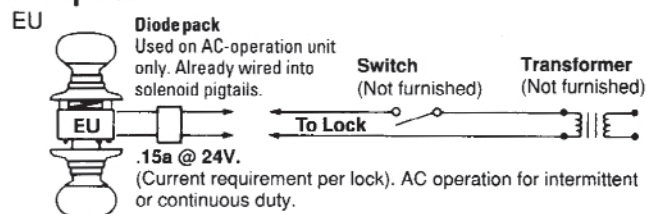
Auxiliary latch deadlocks latchbolt when door is closed. Outside knob continuously locked until unlocked by key or electric current. Inside knob always free for immediate exit.

Typical Wiring Diagram

AC Operation

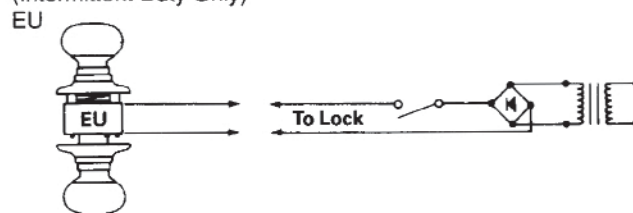


AC Operation



DC Operation

(Intermittent Duty Only)



For EU
Specify AC or DC current when ordering.

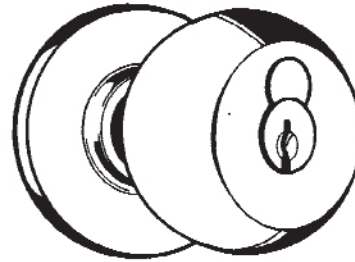
INTERCHANGEABLE CORE

Schlage Interchangeable Core cylinders allow the immediate rekeying of a lock without the time and expense of re-pinning cylinders. The core is removable by rotating a Control Key 15° and pulling out the core. The replacement core is installed with

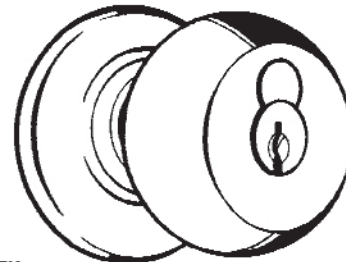
the same rotation of a control key and inserting the core into the knob housing. Available for all D-Series keyed functions in Plymouth, Orbit and Tulip knobs. Existing installations can be retrofit without removing the lock from the door.

Interchangeable Core Parts

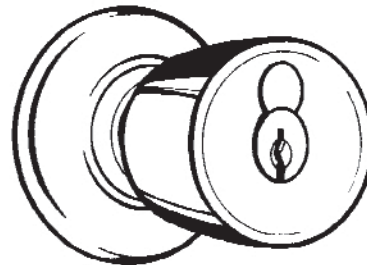
Number	Description
04-030	Knob, driver, retainer
04-031	Knob only
04-033	Driver, retainer
04-034	Knob, core, driver, retainer
23-030	Interchangeable Core
33-058	Plug, Interchangeable Core
35-056	Control key, blank
48-056	Control key, cut
C604-333	Driver bar
C603-569	Retainer
C503-115	Spring, cap
C603-347	Pin, cap
C503-118	Cap
C603-956	Arm, unlocking
C603-967	Control pin
C603-964	Actuating pin



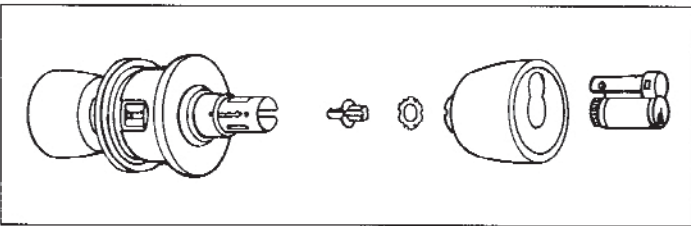
ORBIT



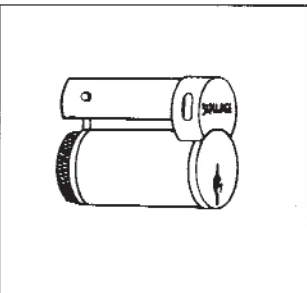
PLYMOUTH



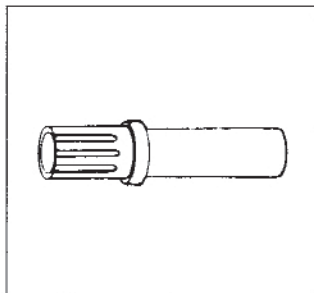
TULIP



Retrofit Kit
04-034

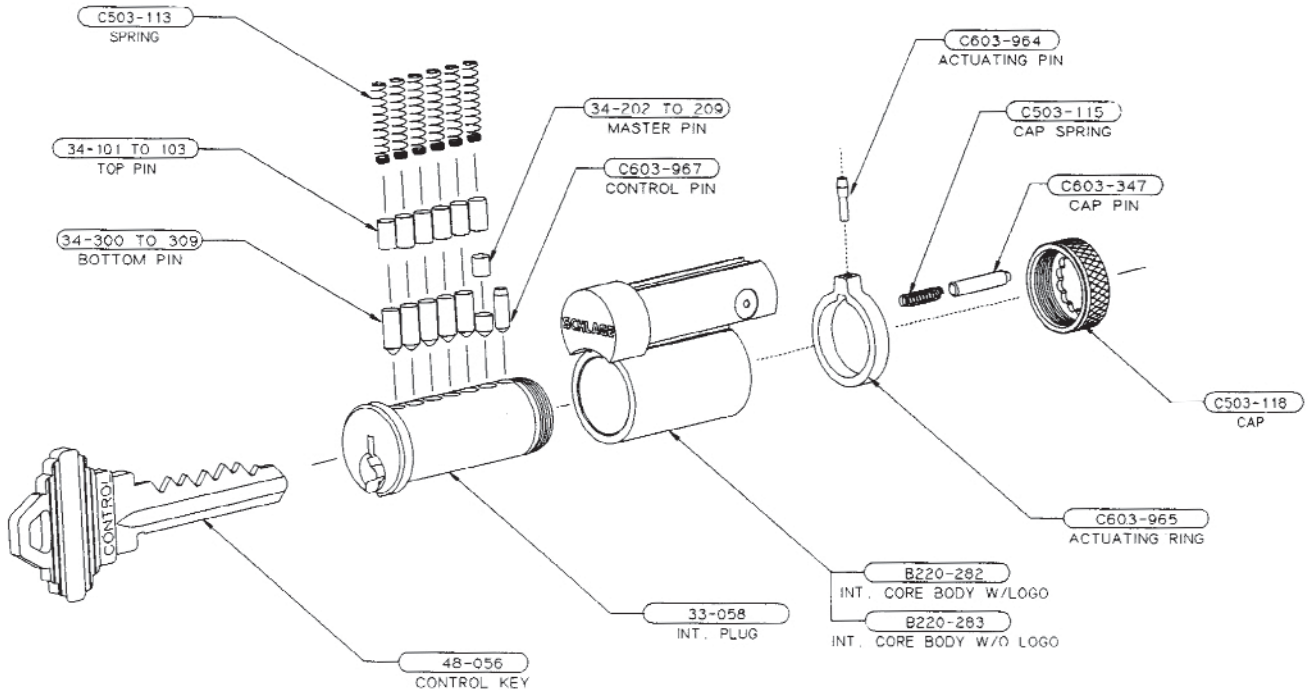


Interchangeable Core
23-030



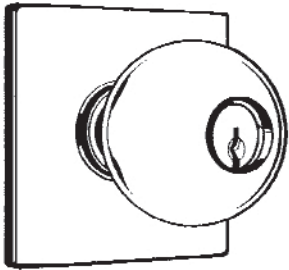
Installation Tool
M504-142 Order as needed.

INTERCHANGEABLE CORE

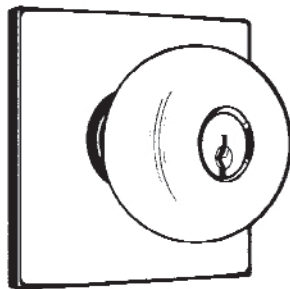


INTERCHANGEABLE CORE
23-030 W/LOGO
23-031 W/O LOGO

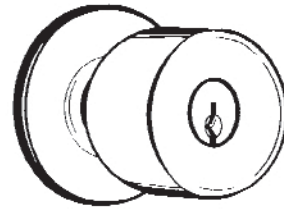
D-SERIES DESIGNS



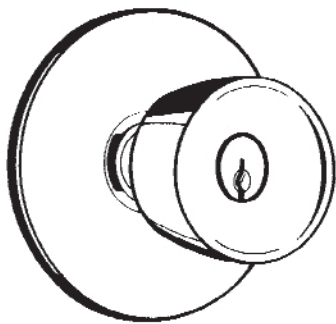
Comet



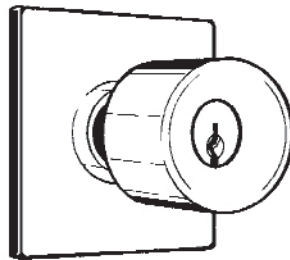
Hanover



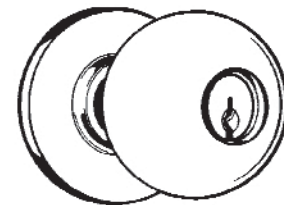
Luna



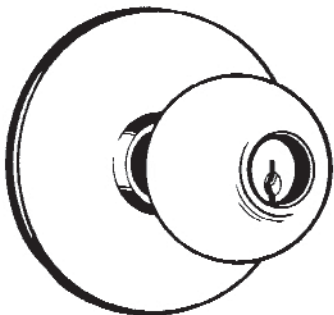
Magnolia



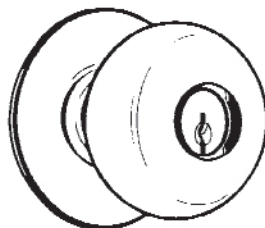
Meteor



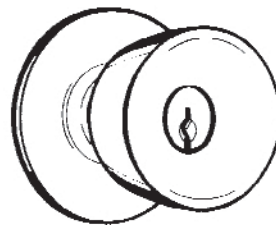
Orbit



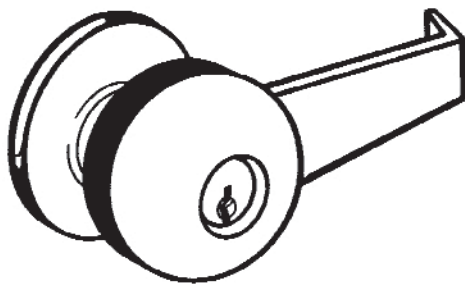
Planet



Plymouth



Tulip



Retrofit Lever

This lever converts D-Series Orbit, Plymouth, and Tulip design 04-032 knob locks into lever handle locks. To install the retrofit lever, remove the knob from the lock, and replace the knob sleeve with our 04-032 lever kit.

Finishes

Schlage finishes are durable, top quality finishes obtained by the careful processing of solid brass, bronze, stainless steel, or other materials. Where required, a protective clear coating is electrostatically applied and cured under high temperature. It is important that climatic conditions and usage be taken under consideration when selecting finishes. This is especially true in areas subjected to strong corrosive vapors, humid climate, or sea air which, in a short time, may have a damaging effect on metal finishes.

The longevity and preservation of the finish appearance is determined by base metal and finishing process. Clear protective coating or other organic finishing applications may require different methods of cleaning and care. As an example, non-clear coated finishes should not be cleaned with soaps or any solvents; organically coated surfaces should periodically be cleaned with a mild, non-abrasive soap and buffed lightly with a clean cloth. The type of base metal and finishing techniques must be considered when applying any cleaning or preservative method. Contact the Schlage Technical Services Department for further information on the care of finished hardware.

In some instances, for customer convenience, the most appropriate BHMA finish symbols are used to indicate similarity of appearance, regardless of base metal or finishing process. Finish numbers in the 600 Series are the BHMA (Builders Hardware Manufacturers Association) industry standard. The nearest old U.S. equivalent code designations are shown in parenthesis.

Symbol	Description
605 (3)	BRIGHT BRASS, Clear coated
606 (4)	SATIN BRASS, Clear coated
611 (9)	BRIGHT BRONZE, Clear coated
612 (10)	SATIN BRONZE, Clear coated
613 (10B)	OIL RUBBED BRONZE, Oxidized satin bronze, oil rubbed, no coating
625 (26)	BRIGHT CHROMIUM PLATED, No coating
626 (26D)	SATIN CHROMIUM PLATED, No coating
630 (32D)	SATIN STAINLESS STEEL, No coating

Lubrication

D-Series lock mechanisms are designed for durability and seldom need servicing. During assembly, those points of contact which require lubrication for ease of operation are given an application of high quality petroleum base grease. A touch of graphite is applied to the pin tumbler plug during assembly of the cylinder unit. No further servicing should be required for an extended period except where locks are subjected to heavy traffic. Also, if located in particularly dusty or dirty areas, the original grease may become contaminated, resulting in a slow or otherwise unsatisfactory operation. The case mechanism should then be cleaned in a noncorrosive petroleum solvent and re-lubricated. Graphite should be applied to the cylinder unit by blowing a small quantity into the keyway.

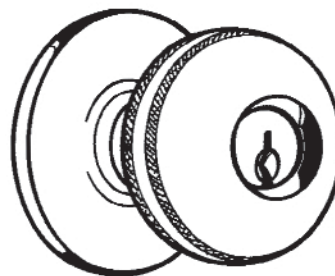
NOTE: Precautionary measures according to solvent manufacturers instructions should always be followed.

Tactile Warning

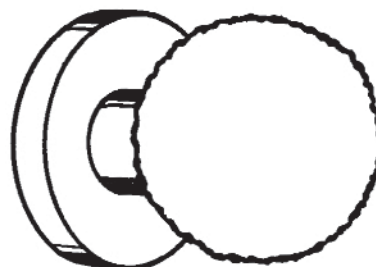
Tactile warning is achieved by knurling or applying an abrasive coating to a knob or lever. This is the means of identifying hazardous areas, such as electrical closets and mechanical equipment for the visually impaired.

Knurling is available on D-Series locks for Comet, Planet, Plymouth, and Orbit knob designs.

Schlage D-Series Plymouth and Orbit designs are offered with abrasive coating.



Knurling

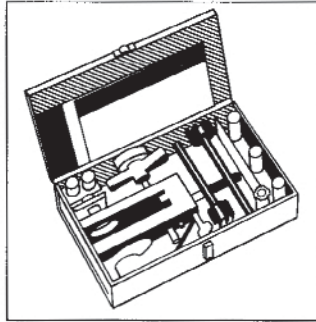
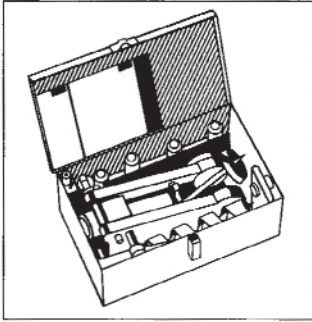


Abrasive Coating

INSTALLATION

Installation Tools & Kits

Boring jigs and tools are designed to provide fast and accurate lock installation. Complete kits, contained in a heavy gauge metal box, or individual tools can be ordered for preparing doors and jambs for Schlage products.



Installation Kit

For A, D, or F locks. Adjustable for 2 3/8", 2 3/4" backsets. Removable bushing adapter for 7/8" latch hole. For door thickness 1 3/8" to 2 1/8".

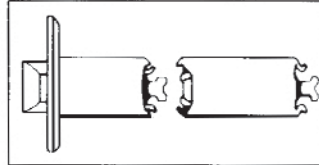
Installation Kit

For A, B, D, F, and H Locks. Adjustable for 2 3/8" and 2 3/4" backsets. Designed for special high-speed hexagonal shank boring bits and equipped with an adapter to form an integrated unit for boring doors 1 5/16" to 1 15/16" thick.

Number	Description
40-056	Boring jig
40-015	3/8" Boring bit
40-018	1" Boring bit
40-024	2 1/8" Boring bit
40-029	Strike marking chisel, full lip
40-030	Strike marking chisel, full lip
40-032	Latch marking chisel; B, D, H
40-035	Strike locator, 3/8"
40-036	Strike locator, 1"
40-041	4" Bit extension
40-050	Tool box
M507-347	Socket wrench
40-012	Boring jig
40-016	3/8" Boring bit
40-019	1" Boring bit
40-025	2 1/8" Boring bit
40-028	2 1/8" Boring bit
40-029	Strike marking chisel
40-030	Strike marking chisel
40-031	Latch marking chisel
40-032	Latch marking chisel
40-035	Strike locator
40-036	Strike locator
40-039	Boring bit adapter
40-042	Backset peg
40-049	Tool box
M504-265	Jig replacement bushing

Long Backsets

Backsets 5" and over require extension links. D-Series locks with long backsets are normally furnished with 1 1/8" faceplate and 1" housings. Links installed in 1" latch holes require one A501-567 sleeve to join latch and link. Backsets over 5" require an additional sleeve placed 1/8" from lock chassis. Information on long backsets other than 5" is available on request.



43-005 5"

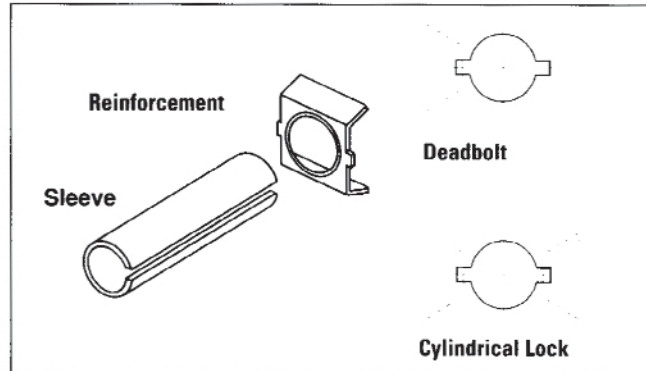


Sleeve
A501-567

Reinforcement Kit

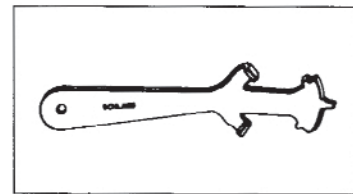
Schlage 37-001 reinforcing unit is used to reinforce and help prevent the collapse of hollow metal doors when locksets are tightly mounted.

This kit should be used with long backsets for A, B, or D lock installations in hollow metal doors to prevent lateral movement of the latchbolt.



Spanner Wrench M504-310

For tightening inside threaded roses and depressing knob catches of "A" or "D" locks.



HOW TO REMOVE AND REPLACE D-SERIES CYLINDER KNOBS

Outside Knobs - Functions D53, 55, 60, 80, 82 (Outside & Inside), 85.

To Remove Knob:

1. Insert key into cylinder, and place pointed end of spanner wrench into hole in knob sleeve on side facing latch retractor or latchbolt.
2. Turn key approximately one-quarter turn to the right while exerting pressure on wrench until knob catch depresses. Pull off knob.

To Replace Knob:

1. With key partially removed and keyway in vertical position, slide knob onto spindle until it stops against knob catch.
2. Insert key fully and turn key (but not the knob) slowly to the right until knob catch can be depressed with spanner wrench. Push knob into place until catch is engaged. Pull on knob to make sure that catch is engaged.

Outside knobs - Functions D66, 70, 72, 73, 76.

NOTE: Outside cylinder of D66 must be fully installed (with key removed).

To Remove Knob:

1. Insert key and turn to the left as far as it will go.
2. Insert pointed end of spanner wrench through hole in knob sleeve on side facing latch retractor or latchbolt.
3. Exert pressure on wrench while turning key slowly to the right until knob catch depresses. Pull off knob.

Functions D60 (Inside), 66, 70, 72, 73, 76

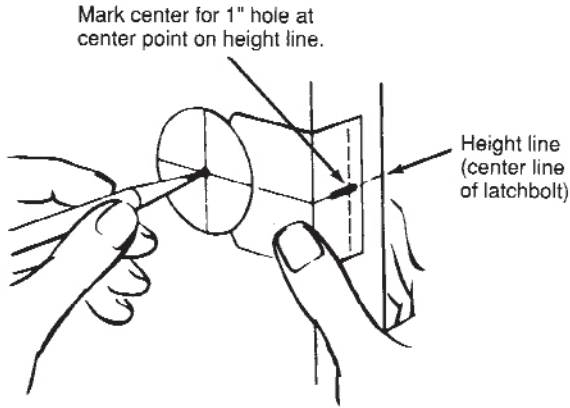
1. Use a flat tip screwdriver (¼" wide tip), and insert into chassis far enough to engage key spindle. Rotate screwdriver to the left until key spindle stops turning. Remove screwdriver.
2. With key partially removed and keyway in vertical position, slide knob onto spindle until it stops against knob catch.
3. Insert key fully and turn key (but not the knob) slowly to the right until knob catch can be depressed with spanner wrench. Push knob into place until catch is engaged. Pull on knob to make sure that catch is engaged.
4. When knob is properly installed, the key can be withdrawn after one complete turn to the right.

NOTE: If lock is out of timing and key cannot be removed in the correct position, with the key still inserted, remove knob from spindle, and repeat steps for replacement.

INSTALLATION INSTRUCTIONS

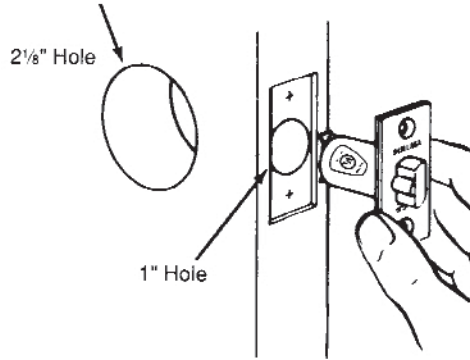
1. MARK DOOR

Mark height line (center line of latchbolt) on edge of door. Suggested height from floor 38". Mark center point of door thickness. Position center line of template on height line. Hold in place and mark center point for 2 1/8" hole.



2. BORE TWO HOLES

Bore a 2 1/8" hole from both sides of door (to avoid splintering or otherwise damaging door).

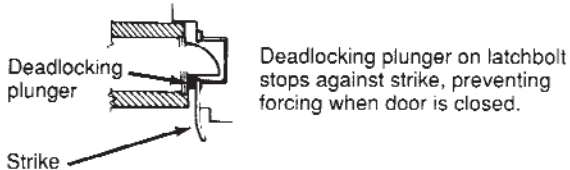
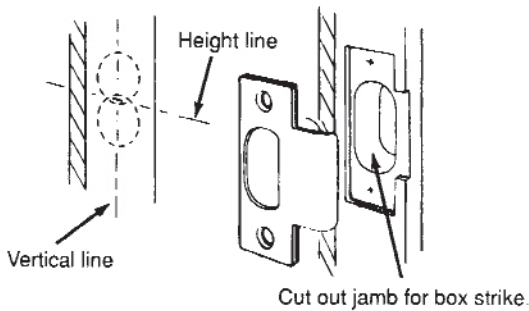


Bore a 1" hole straight into door edge to intersect with center of 2 1/8" hole.

Use latchbolt faceplate to pattern for cutout. Front should fit flush with door surface. Install latch with screws provided.

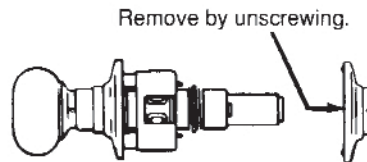
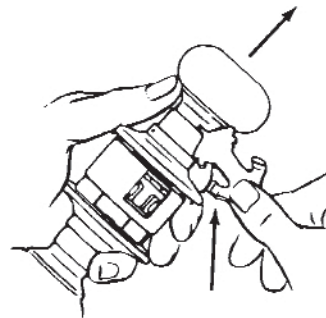
3. INSTALL STRIKE

Mark vertical line and height line on jamb exactly opposite center point of latch hole. Bore two 1" holes 1 1/8" deep in jamb on vertical line 5/16" above and below height line. Clean out hole and install strike.



4. REMOVE INSIDE TRIM

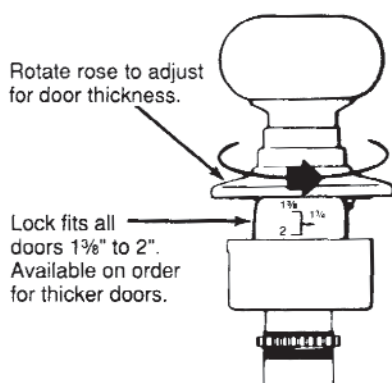
Insert pointed end of spanner wrench through hole in knob sleeve on side facing latch retractor. Depress knob catch and slide knob off spindle.



INSTALLATION INSTRUCTIONS

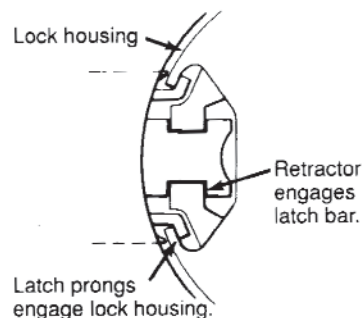
5. ADJUST ROSE

Adjust lock to fit door thickness by rotating outside rose until correct door thickness appears above edge of housing and it is engaged with ratchet.



6. INTERLOCK UNITS

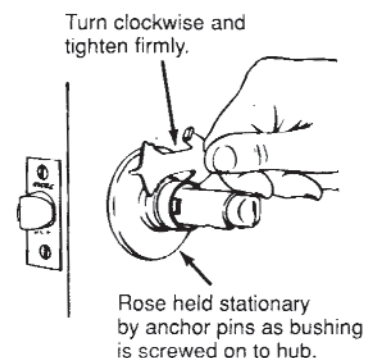
Latch unit must be in place before installing lock. Be sure lock housing engages with latch prongs and retractor interlocks with latch bar.



Caution -- Do not attempt to mount lock unit with door closed.

7. ATTACH TRIM

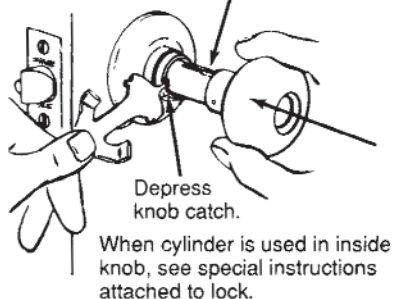
Slip inside rose over spindle and screw on to threads. Tighten firmly with spanner wrench.



8. REPLACE KNOB

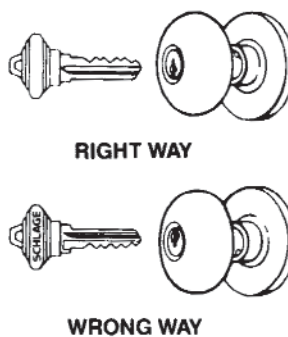
Slide knob on spindle. Depress knob catch and push knob into position. Pull knob to test fastening of catch. When properly installed, both knobs should operate freely.

Before sliding knob on spindle, line up lug in knob shank with slot in spindle.



9. TO CHANGE LOCK HAND

Pin tumbler cylinders are factory assembled in knobs for right or left hand doors as ordered. If necessary to change the hand of a lock so that cylinder is right side up, see following instructions.



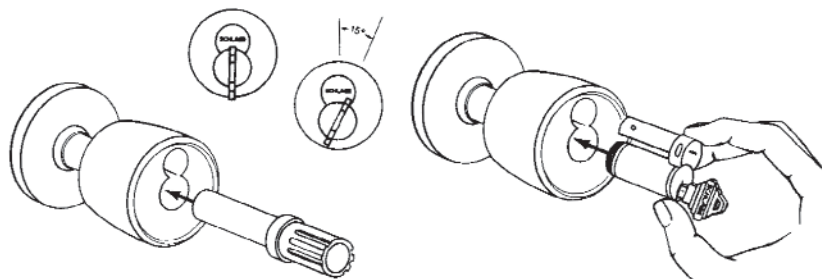
9A. STANDARD CYLINDER

Insert pointed end of spanner wrench, or small nail, in the outside knob sleeve on side facing latchbolt. Exert pressure and turn key slowly until knob catch depresses; then pull off knob. Turn knob over. With key partially removed from cylinder, replace knob onto spindle. Slide knob up to knob catch. Insert key and turn key one-quarter turn to right, depress knob catch and push knob into position.



9B. INTERCHANGEABLE CORE CYLINDER

Follow steps in 9A for removing knob. CORE MUST NOW BE REMOVED FROM KNOB BEFORE REPLACING ON LOCK. Insert control key and turn 15° to the right until action stops. Pulling on key will now extract core from knob.

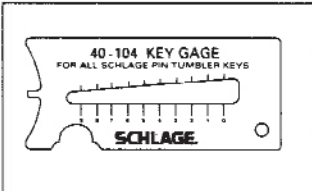
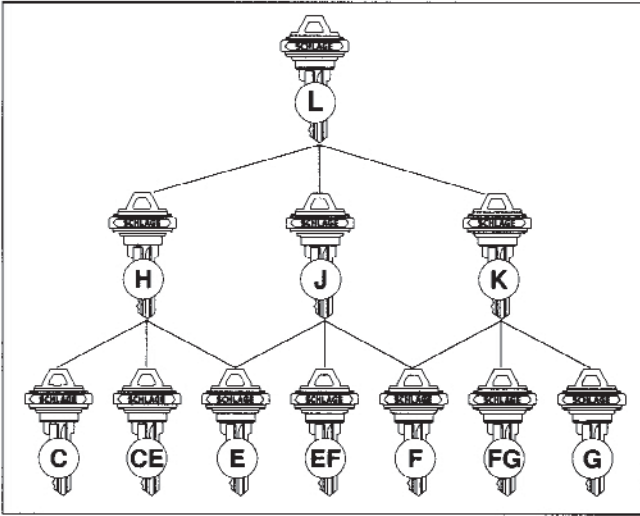


Turn knob over and replace knob on spindle. Slide knob up to knob catch. Insert long end of installation tool into knob until it engages driver. Turn tool one-quarter turn to right, depress knob catch and push knob into position. With control key fully inserted, push core into knob housing, rotate key 15° to the right and insert core completely. Rotate key back to upright and remove control key.

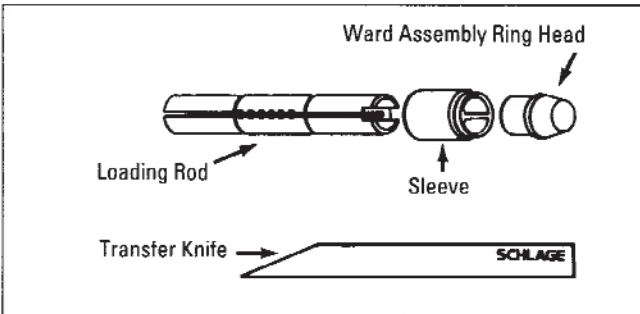
KEYING

Key Array Chart

The Schlage Masterkey Department determines and makes the final decision in the selection and use of Key Sections. Keys and cylinders other than C, CE, E, EF, and F are restricted and authorized by factory only. Other keyways are available for use within limited geographical areas. Allocation of these special keyways is based on need and extent of the final system. Priority is given to sensitive industries that require large numbers of cylinders and families of key sections to satisfy their keying requirements.



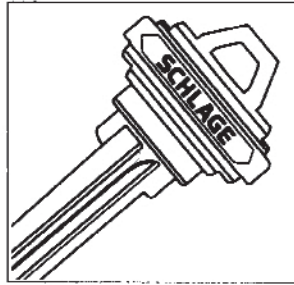
Key Gauge 40-104
Order the Schlage key gauge to accurately measure the depth of key cuts. Specify quantity and number.



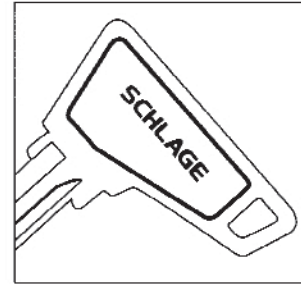
Cylinder Body Loading Tool 40-116
A compact, precision tool for loading top pins and springs and installation of ward rings into grooves of a warded cylinder plug. Furnished with complete assembly instructions.

Pin Tumbler Keys

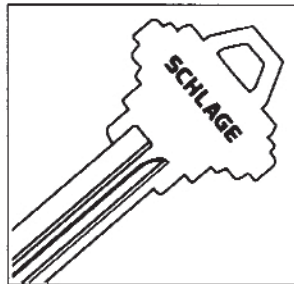
All Schlage locks come with two nickel silver keys as standard, embossed with our company logo. The nickel silver alloy from which all Schlage keys are made provides the base for accuracy in cutting and long cylinder wear.



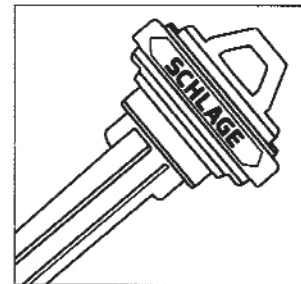
Embossed Both Sides
35-100 (5 pin standard)
35-101 (6 pin)



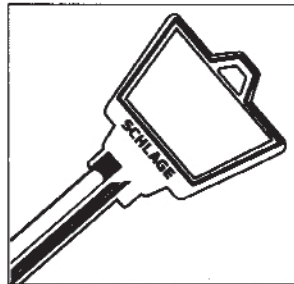
Access Bow
35-143 (5 pin*)
35-144 (6 pin)
*Available in C, E, F & CE only



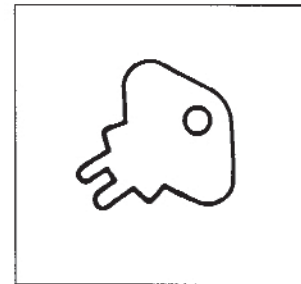
Stamped One Side
35-120 (5 Pin)
35-121 (6 Pin)



Hotel Emergency Key
35-102 (6 Pin)



Large Bow
35-140 (5 Pin)
35-141 (6 Pin)



Spanner Key, Hotel Function
35-251

Ordering Procedures

To order Schlage products, descriptive data should be in the same sequence shown. Ordering examples are also shown to assist in proper sequencing.

Qty	Product	Outside		Inside		Dr Thk	Door Hand				BS	Latch	Strike	Dim	Detail
		Des	Fin	Des	Fin		RH	LH	RR	LR					
1		3		5		7						10		12	
	2		4		6						9		11		13

- 1. Quantity
- 2. Lock number or product (accessories or parts)
- 3. Design: outside
- 4. Finish: outside
- 5. Design: inside
- 6. Finish: inside

- 7. Door thickness; for non-standard thickness such as 214 = 2 1/4"
- 8. Door handing
- 9. Backset: 234 = 2 3/4", 005 = 5" backset link required
- 10. Latches: Use this area for listing non-standard latches, per backset.

- 11. Strike: Use this area for listing non-standard strikes.
- 12. Dimension: Use this area for strike lip lengths, padlock shackle length, mortise cylinder length, etc. 118 = 1 1/8", 138 = 1 3/8", etc.
- 13. Detail: Use this area for keying detail and/or any special instructions relating to the ordered item, such as lead lining, knurling, etc.

Ordering example:

Qty	Product	Outside		Inside		Dr Thk	Door Hand				BS	Latch	Strike	Dim	Detail
		Des	Fin	Des	Fin		RH	LH	RR	LR					
50	D53PD	HAN	613				50						10-025		101AA-125AA
2	D80PD	ORB	626			214			2						Knurled O/S knobs
1	D80DEU	PLY	605						1		334				24VA.C.
10	04-007	TUL	613												Open knob
10	10-013		626										200		2" Lip

The reverse side of Schlage's order acknowledgement copy contains a full list of terminology used in coding orders for our data processing system.

Limited Warranty

Schlage Lock Company (the "Company") warrants to the original purchaser that the products manufactured by it (the "Product") to be free of defects in material and workmanship. Provided: (i) The Company has been notified within one year of purchase date and been given the opportunity of inspection by return of any alleged defective Product to the Company, or its authorized distributor, at the address specified herein, free and clear of all liens and encumbrances, transportation prepaid, accompanied by the statement of defects and proof of purchase; and (ii) The Product has not been modified, abused, misused, or improperly installed, maintained and/or repaired during such period; and (iii) Such defect has not been caused by corrosion or ordinary wear and tear.

The Company makes no other warranty, and all implied warranties including any warranty of merchantability or fitness for a particular purpose are limited to the duration of the expressed warranty period as set forth above.
 The Company's maximum liability hereunder is limited to the purchase price of the product.
 In no event shall the company be liable for any consequential, indirect, incidental or special damages of any nature arising from the sale or use of this product, whether in contract, tort, strict liability or otherwise.

Note: Should the Product be considered a consumer product as may be covered by the Magnusson Moss Federal Warranty Act, please be advised that: (1) Some states do not allow limitations on incidental consequential damages or how long an implied warranty lasts so that the above limitations may not fully apply; (2) This warranty gives specific legal rights and a buyer may also have other rights which may vary from state to state.

For warranty service and shipping instructions, contact the Schlage Lock Company:

Technical Services Department
 2401 Bayshore Boulevard
 San Francisco, California 94134
 (415) 330-5600

The Schlage Lock Company reserves the right to make changes in designs and specifications or to make additions or improvements on its products without notice and without incurring any obligation to incorporate them on products previously manufactured. The Schlage Lock Company is not responsible for any modification, addition, or alteration to our products by others.

NOTES

NOTES

About Allegion

Allegion (NYSE: ALLE) creates peace of mind by pioneering safety and security. As a \$2 billion provider of security solutions for homes and businesses, Allegion employs more than 7,800 people and sells products in more than 120 countries across the world. Allegion comprises 23 global brands, including strategic brands CISA®, Interflex®, LCN®, Schlage® and Von Duprin®.

For more, visit www.allegion.com.

aptiQ ■ LCN ■ **SCHLAGE** ■ STEELCRAFT ■ VON DUPRIN