



SCHLAGE

LT Series

Decorative tubular locks





Put your confidence in the consistency of Schlage®

The LT Series gives you the quality you can count on from Schlage. LT Series decorative tubular locks are built from the foundational technology of the L Series mortise locks, to provide you the durable, reliable performance that you have come to know from Schlage.



Continuity is key

Safety and security are paramount when choosing door hardware, but continuity in design is also key for those projects that have exacting aesthetic demands. The Schlage LT tubular lock, by suiting seamlessly with Schlage L Mortise locks and Von Duprin exit devices, gives you both.

Seamless suiting with Schlage L Series mortise locks and Von Duprin® exit devices:

- The LT Series utilizes the same levers, finishes and roses as the L Series to provide a consistent look and feel throughout the project.
- All levers are manufactured from solid brass or solid stainless steel for a comfortable, heavy feel.

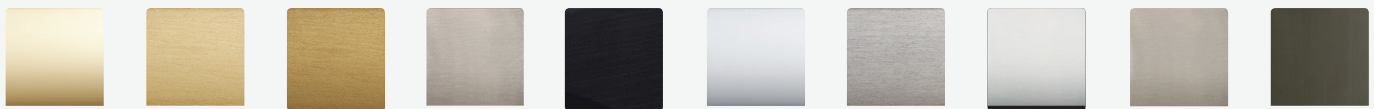
Attention to detail:

- Hidden lever attachment with no exposed set screws
- Levers move both up and down for a consistent operational experience between tubular locks, mortise locks and exit devices.
- Inside lever moves independently from the outside lever, making for a higher-end, less distracting environment.

Standard lever suite



Finish options

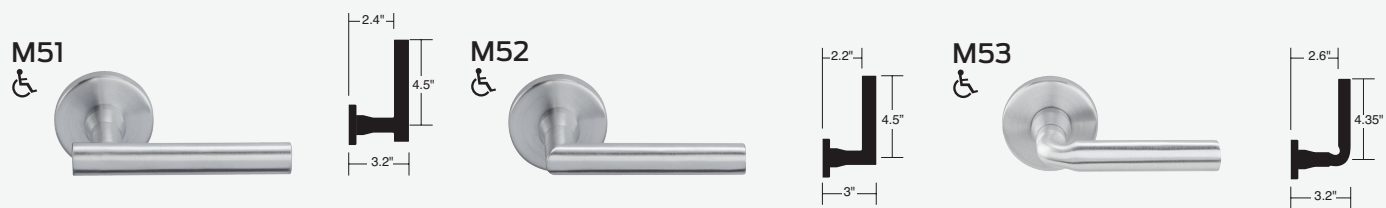


605 US3 Bright brass	606 US4 Satin brass	609 US5 Antique brass	619 US15 Satin nickel	622 US19 Matte black	625 US26 Bright chrome plated	626/626AM US26D Satin chrome plated	629 US32 Bright stainless steel	630/630AM US32D Satin stainless steel	643e US11 Aged bronze
-----------------------------------	----------------------------------	------------------------------------	------------------------------------	-----------------------------------	--	--	--	--	------------------------------------

AM Antimicrobial

† Available 629 and 630 finish only

M Collection decorative lever suite



Trim options

Available with the following roses.



B wrought rose
2 9/16" (65 mm)
diameter



C wrought rose
2 5/8" (66 mm)
diameter

Lock details

Many of the LT chassis components are the exact same as, or very similar in design to, the Schlage L mortise lock. This design commonality allows for a near seamless feel between the two types of locks.

Specifications

Certifications:

ANSI/BHMA A156.2, Series 4000, Grade 2 tubular lock. Optional 20 minute UL fire rating.

Door range:

1³/₈" - 1³/₄" standard, 2" available

Latchbolt:

1¹/₈" x 2¹/₄" w/ 2³/₈" backset with square faceplate (default), optional 1" x 2¹/₄" w/ 2³/₈" backset with square faceplate

Restoring latchbolt:

Yes, privacy function (automatically unlocks if door locked prior to closing)

Strike:

1¹/₈" x 2³/₄" w/ 1¹/₈" lip length, square corner T-strike

Field-reversible handing:

Yes, all lever designs

Functions

LT10 - Passage

Both levers always free

LT10F - Passage

Fire rated

LT40 - Privacy

Inside lever always retracts latch. Outside lever free unless locked by push-pin from inside. Turning Inside handle, closing door, or utilizing emergency pin on outside unlocks outside lever.

LT40F - Privacy

Fire rated

LT170 - Single dummy trim

Dummy trim for one side of door. Used for door pull or as matching inactive trim

LT172 - Pair dummy trim

Dummy trim for both sides of the door

Non-standard door thickness

Specify 2" for extension kit for doors > 1³/₄" to 2" thick, extended equally

Latch options

THP-8201 - Passage latch

1" x 2¹/₄" w/ 2³/₈" backset, square faceplate

THP-8201-F - Passage latch

Fire rated

THP-8219 - Privacy latch

1" x 2¹/₄" w/ 2³/₈" backset

THP-8219-F - Privacy latch

Fire rated

Strike options

10-001 xx - T-strike

Square corner, 1¹/₈" x 2³/₄", specify lip length (xx) as 1", 1¹/₄", 1¹/₂", 1³/₄" or 2"

10-004 - T-strike

Round corner (1/4" radius), 1¹/₈" x 2³/₄" w/ 1¹/₈" lip length

10-025 xx - ANSI strike

1¹/₄" x 4⁷/₈", specify lip length (xx) as 1³/₁₆", 1³/₈", or 1¹/₂"

K510-066

Strike box for 10-025 ANSI strike

10-026 - Full lip strike

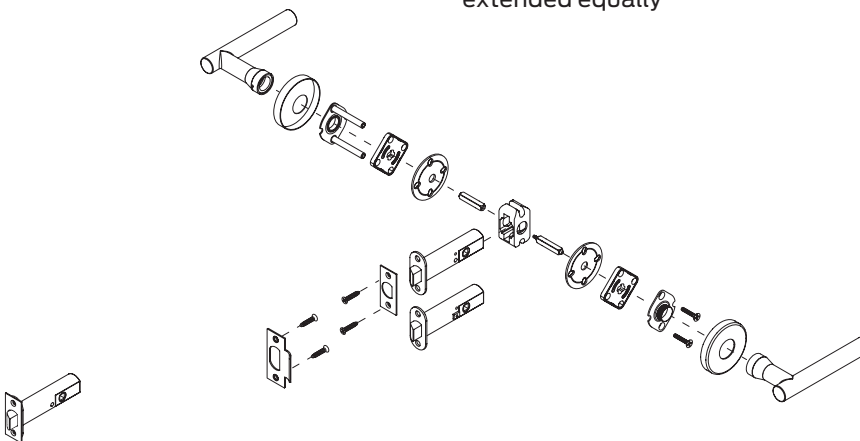
Square corner, 1⁵/₈" x 2¹/₄" w/ 1¹/₈" lip length

10-027 - Full lip strike

Round corner, 1⁵/₈" x 2¹/₄" w/ 1¹/₈" lip length

C603-623

Strike box for 10-026 or 10-027 full lip strike



Ordering guidelines

Order from Schlage using the standard Schlage order form as follows:

Function	Trim	Finish	Options
LT40	M81B	626	As required

Function	LT10 Passage	LT10F Passage, fire rated	LT40 Privacy	LT40F Privacy, fire rated	L0170 Single dummy	L0172 Pair dummy												
Trim																		
Standard	01	02	03	05	06	07	12	17	18	ACC	AST	LAT	LON	MER	OME			
Decorative	M51	M52	M53	M54	M55	M56	M57*	M61	M62*	M63	M81	M82	M83	M84	M85	ME1	ME2	ME3
	Add either 'B' or 'C' to end of lever to specify rose design																	
	* Available in 629 and 630 finish only																	
Finish	605	606	609	619	622	625	626	626AM	629	630	630AM	643e						
Latch options	THP-8201	Passage latch			1" x 2 1/4" w/ 2 3/8" backset			Square faceplate										
	THP-8201-F	Passage latch - Fire rated			1" x 2 1/4" w/ 2 3/8" backset			Square faceplate										
	THP-8219	Privacy latch			1" x 2 1/4" w/ 2 3/8" backset			Square faceplate										
	THP-8219-F	Privacy latch - Fire rated			1" x 2 1/4" w/ 2 3/8" backset			Square faceplate										
Strike options	10-001 xx	T-strike			Square corner			1 1/8" x 2 3/4", specify lip length (xx) as 1", 1 1/4", 1 1/2", 1 3/4" or 2"										
	10-004	T-strike			Round corner (1/4" radius)			1 1/8" x 2 3/4" w/ 1 1/8" lip length										
	10-025 xx	ANSI strike						1 1/4" x 4 7/8", specify lip length (xx) as 1 3/16", 1 3/8", or 1 1/2"										
	10-026 -	Full lip strike			Square corner			1 5/8" x 2 1/4" w/ 1 1/8" lip length										
	10-027	Full lip strike			Round corner			1 5/8" x 2 1/4" w/ 1 1/8" lip length										
	K510-066	Strike box for 10-025 ANSI strike																
	C603-623	Strike box for 10-026 or 10-027 full lip strike																
2" door thickness	Specify 2" for extension kit for doors > 1 3/4" to 2" thick, extended equally																	

Available finishes

ANSI/ BHMA	US standard	Description
605	US 3	Bright brass
606	US 4	Satin brass
609	US 5	Antique brass
619	US 15	Satin nickel
622	US19	Matte black
625	US 26	Bright chrome
626	US 26D	Satin chrome
626AM		Satin chrome anti-microbial
629	US 32	Bright stainless steel
630	US 32D	Satin stainless steel
630AM		Satin stainless steel anti-microbial
643e	US 11	Aged bronze

About Allegion

Allegion (NYSE: ALLE) is a global pioneer in safety and security, with leading brands like CISA®, Interflex®, LCN®, Schlage®, SimonsVoss® and Von Duprin®. Focusing on security around the door and adjacent areas, Allegion produces a range of solutions for homes, businesses, schools and other institutions. Allegion is a \$2 billion company, with products sold in almost 130 countries.

For more, visit www.allegion.com

KRYPTONITE ■ LCN ■  ■ STEELCRAFT ■ VON DUPRIN