

MultiPoint Lock Hurricane

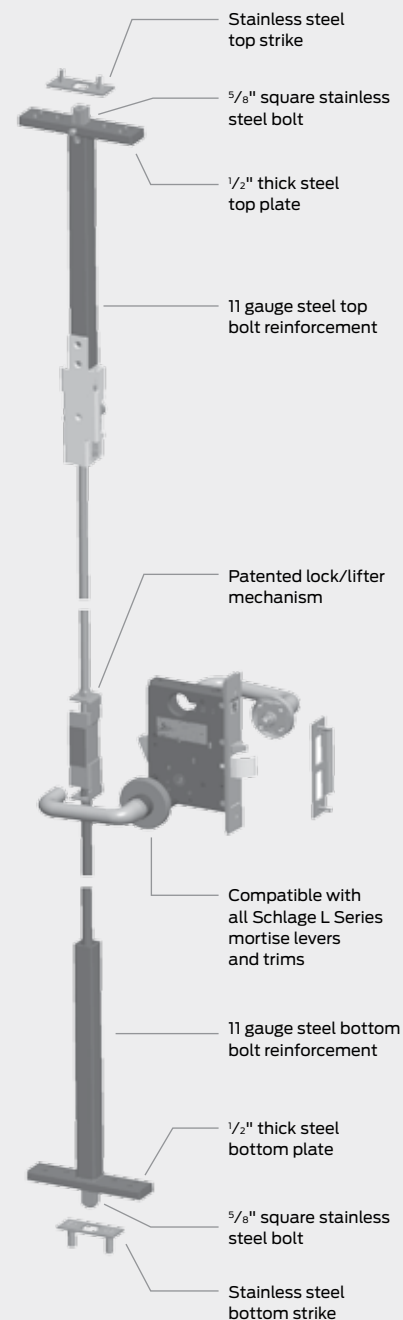
for hurricane applications

Overview

MultiPoint Lock Hurricane is an integrated door, frame, and three-point lock solution specifically designed to withstand the high winds and flying debris associated with hurricanes. MultiPoint Lock Hurricane is a three-point locking system that secures the door at three locations – the top, bottom, and center latch points.

Features and benefits

- Six available functions supporting a wide range of applications
 - Passage, exit, storeroom, classroom, classroom security, and office/inner entry
 - VandIGard® available for additional protection from forced entry
- Compatible with all Schlage Mortise lock key systems
 - Standard, FSIC and SFIC key systems available
 - Patented key systems, including Everest 29™ with patented keyway through 2029
- Compatible with all Schlage L Series Mortise trims and finishes
 - 31 lever designs allow complete suiting with Schlage L Mortise and LT Tubular locks along with Von Duprin exit devices.
 - Sectional (rose) or escutcheon trim
 - 13 different finishes
- Seamless operation
 - Handle rotation retracts all three latches; closing door re-engages all latches
- Simple installation
 - Vertical rods pre-assembled and factory aligned in door
 - Mortise lock can be installed/removed with door installed
- Wide range of door sizes available (for use with Steelcraft H Series Hurricane door and frame system only)
 - 2' 6" x 6' 8" minimum to 4' 0" x 8' 0" maximum single door (inswinging and outswing)
 - 5' 0" x 6' 8" minimum to 8' 0" x 8' 0" maximum pair doors (inswinging and outswing)
- Certifications
 - UL10C 3 hour fire rating available
 - Florida Building Code



Note: This datasheet is for MultiPoint Lock Hurricane only. For information on MultiPoint Lock Tornado, Tornado Shutter or High Security specific solutions, visit www.allegion.com/us.

Ordering guidelines

The MultiPoint Lock Hurricane solution requires separate orders for the lock, door (includes the vertical rods), frame and miscellaneous hardware.

MultiPoint Lock Order from Schlage using the Schlage order form as follows:

Function	Trim	Finish	Handing	Options
LM9350P	03A	626	RHR	XLxx-xxx

Lock specifications

Function* LM9310 (passage), LM9325 (exit), LM/LMV9350 (office/entry), LM/LMV9370 (classroom), LM/LMV9371 (classroom security), LM/LMV9380 (storeroom)

Trim** All L Series levers, knobs, roses, and escutcheons available

Finish** All L Series finishes available

Handing LH, LHR, RH, RHR (Note: must specify handing on order)

Options All L Series options available except electrified

All other lock parameters pre-defined as part of MultiPoint Lock Security solution, no value required.

*Include cylinder suffix when ordering function. Less cylinder not available on storeroom function. LMV refers to Vandlgard® free-wheeling outside trim option.

**Not all lever/knobs available in all finishes; consult price book or customer care.

MultiPoint Hurricane Door Order from Steelcraft using the Steelcraft door ordering form as follows (includes vertical rods):

Door type	Gauge	Width	Height	Type	Hand	Lock prep	Galvanized	Closer prep	Cores	Labels	Hinge prep	Inactive leaf	Floor clear
H	14	8'	8'	F	RHR	LM9350 rose	G-90x	Surface	Polystyrene	UL 3 hour	5" high frequency	Inactive	3/8"

Door specifications

Door type H Series (Hurricane)

Gauge 14, 16

Width 2' 6" - 8' 0"

Height 6' 8" - 8' 0"

Type F (flush)

Handing LH, LHR, RH, RHR

Lock prep LM/LMV function, rose or escutcheon trim

Galvanized A60 galvanealed standard, G-90 Galvanized optional

Closer prep Optional (surface mounted only)

Cores Optional honeycomb, polystyrene, vertical steel stiffened, polyurethane (non-labeled only), temperature rise core

Labels Florida Building Code Label standard, optional UL (20 minute, 45 minute, 1 hour, 90 minute, 3 hour)

Hinge prep 4 1/2", 4 1/2" high frequency top hinge, 5", 5" high frequency top hinge, continuous (full mortise only)

Inactive leaf With Z-astragal only

Top caps Standard (screw-in)

Floor clearance*** 1/4", 3/8", 1/2", 5/8", 3/4"

All other door parameters pre-defined as part of MultiPoint Lock Security solution, no value required.

***Refer to hardware template for recommended clearance.



F (flush)

For use with Steelcraft H series (Hurricane) doors only. Available in F configuration only.

MultiPoint Hurricane Frame Order from Steelcraft using the Steelcraft frame ordering form as follows:

Frame series	Gauge	Jamb depth	Width	Height	Hand	Strike prep	Galvanized	Closer prep	Labels	Hinge prep	Anchors	Head
F	14	5 3/4"	8'	8'	RHA	LM9350, ASA	A-60	Regular	UL 3 hour	5" high frequency	Masonry	4"

Frame specifications

Frame series F for Security applications

Gauge 14, 16

Jamb depth 5 3/4" - 14 3/4"

Width 2' 6" - 8' 0"

Height 6' 8" - 8' 0"

Handing LH, RH for single door; specify active leaf for pairs (LHA, RHA)

Strike prep LM/LMV function head and sill; ASA strike prep

Galvanized Optional A-60 or G-90 (A-60 recommended)

Closer prep Optional (regular or parallel arm)

Labels Optional Florida Building Code; optional UL (20 minute, 45 minute, 1 hour, 90 minute, 3 hour)

Hinge prep 4 1/2", 4 1/2" high frequency top hinge, 5", 5" high frequency top hinge, continuous (full mortise only)

Anchors Masonry, wood stud, steel stud, wire, EMA, welded EMA (Note: reference applicable FBC documents for location and quantity information)

Heads Optional (4", for use with new masonry construction only)

All other frame parameters pre-defined as part of MultiPoint Lock Hurricane solution, no value required.