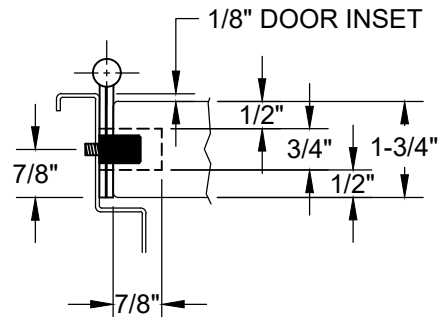
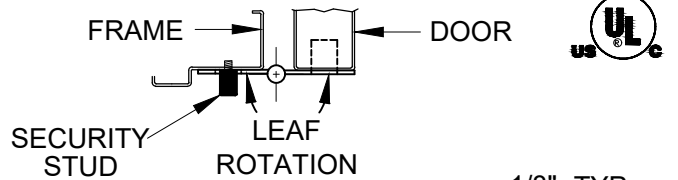


SECURITY "STUD" FOR FULL CONCEALED STAINLESS STEEL HINGES 14 & 12 GA.



DIMENSION					
"A" HINGE LENGTH	78-3/4"	83-1/8"	85"	95"	118-3/4"
"B"	14-1/2"	14-1/2"	14-1/2"	14-1/2"	14-1/2"
"C"	39-3/8"	38"	32-1/2"	32-1/2"	44-1/2"
"D"	64-1/4"	68-5/8"	62-1/2"	62-1/2"	74-1/4"
"E"	-----	-----	80-1/2"	80-1/2"	104-1/4"

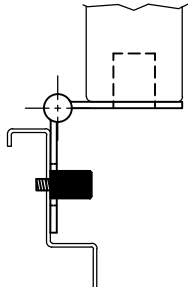


7/8" FROM CENTER OF HOLE TO EDGE OF HINGE

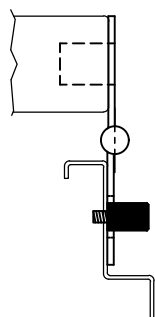
DRILL & TAP IN FRAME 12-24

DRILL 3/4" DIA. HOLE IN DOOR

CLOSED POSITION
(A500 HINGE & STUD SHOWN, FOR EXAMPLE)

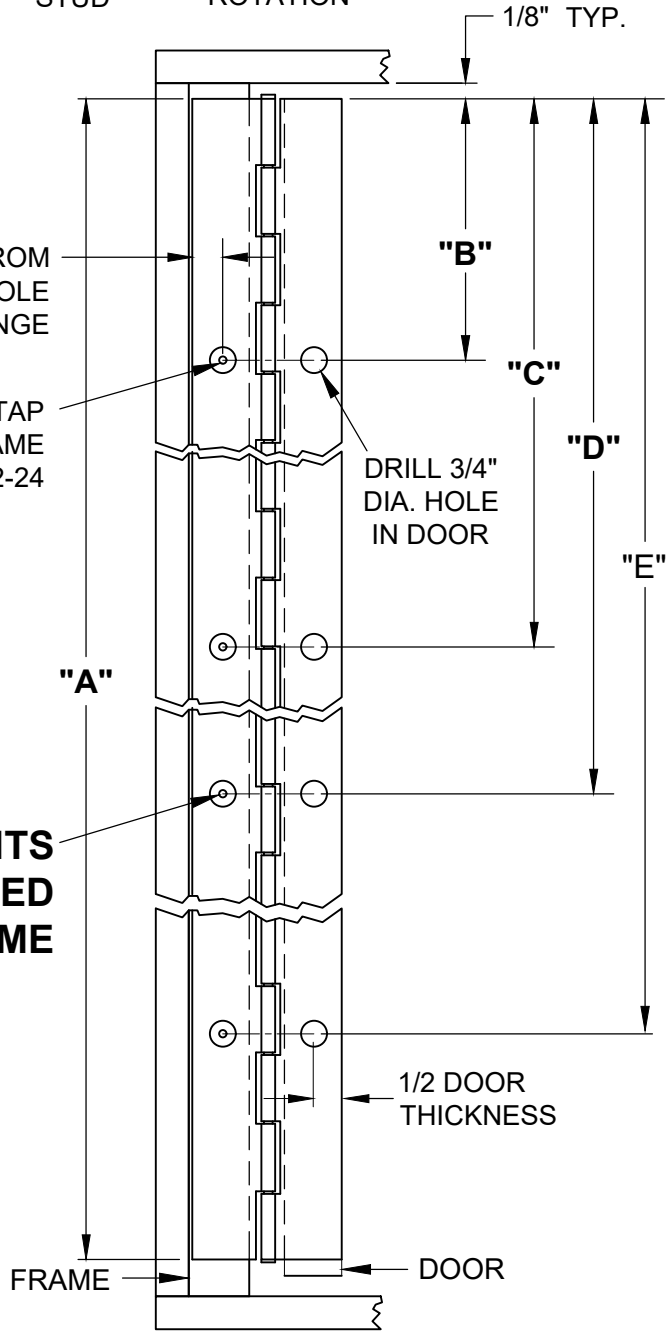


90° OPEN POSITION
(A500 HINGE & STUD SHOWN, FOR EXAMPLE)



180° OPEN POSITION
(A500 HINGE & STUD SHOWN, FOR EXAMPLE)

FIRE STUD MOUNTS ONTO THE THREADED FRAME



FRONT VIEW
FOR SECURITY STUD LOCATION
MODEL A500 HINGE SHOWN FOR EXAMPLE

ALL HINGES ARE HANDED



www.abhmfg.com
E-mail: abhinfo@abhmfg.com
Architectural Builders Hardware Mfg., Inc.
1222 Ardmore Ave., Itasca, IL 60143
630.875.9900; FAX 800.9FAXABH (932.9224)

FC SECURITY STUD LOCATION SS-05.DWG
**FULL CONCEALED
SECURITY STUD
LOCATION INSTRUCTIONS**
© 2020 ABH Mfg., Inc.
printed in USA
ISSUED 10-21-20